

Autonomous wireless multi-sensor node powered by PV cells and based on SPV1050 (SPIDEr™)

Domenico Ragonese

Introduction

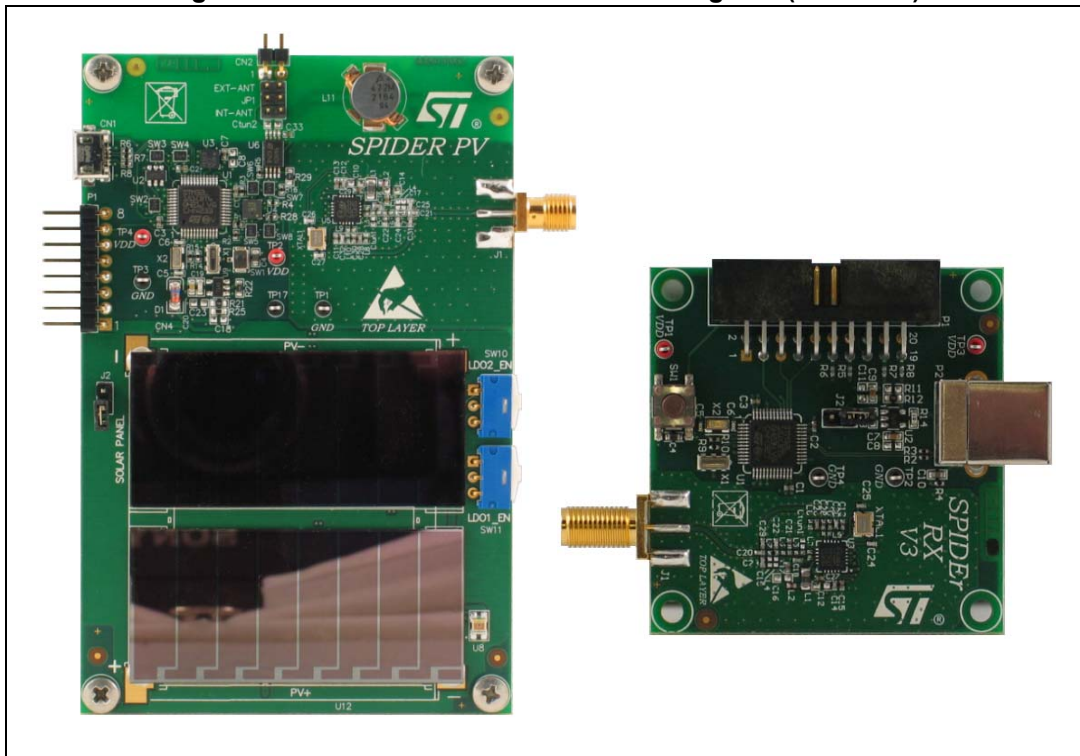
The STEVAL-IDS002V1 is a complete and fully configurable reference design of a wireless sensor node powered by the energy harvested from a photovoltaic module soldered on the top. It is composed by a fully integrated transmitter board which contains a temperature sensor, an air pressure sensor and a 3-axis accelerometer MEMS sensor powered by the SPV1050 device. Moreover a microcontroller and an RF Sub-Giga transmitter, all by ST, are mounted on the board.

The system has a receiver companion powered through a USB cable by the PC. For further details on the SPV1050 device, please refer to the related datasheet.

The reference design kit is supported by a software user-friendly GUI able to show PV module and battery electrical characteristics, conversion efficiency, MPPT accuracy and sensors readings.

The transmitter module is based on an STM32L151 low power microcontroller which controls sensors configuration and data communication. A digital temperature sensor (STTS751), a pressure sensor (LPS331AP) and a 3-axis accelerometer (LIS3DH) are connected to the microcontroller through the I²C bus.

Figure 1. STEVAL-IDS002V1 reference design kit (SPIDEr™)

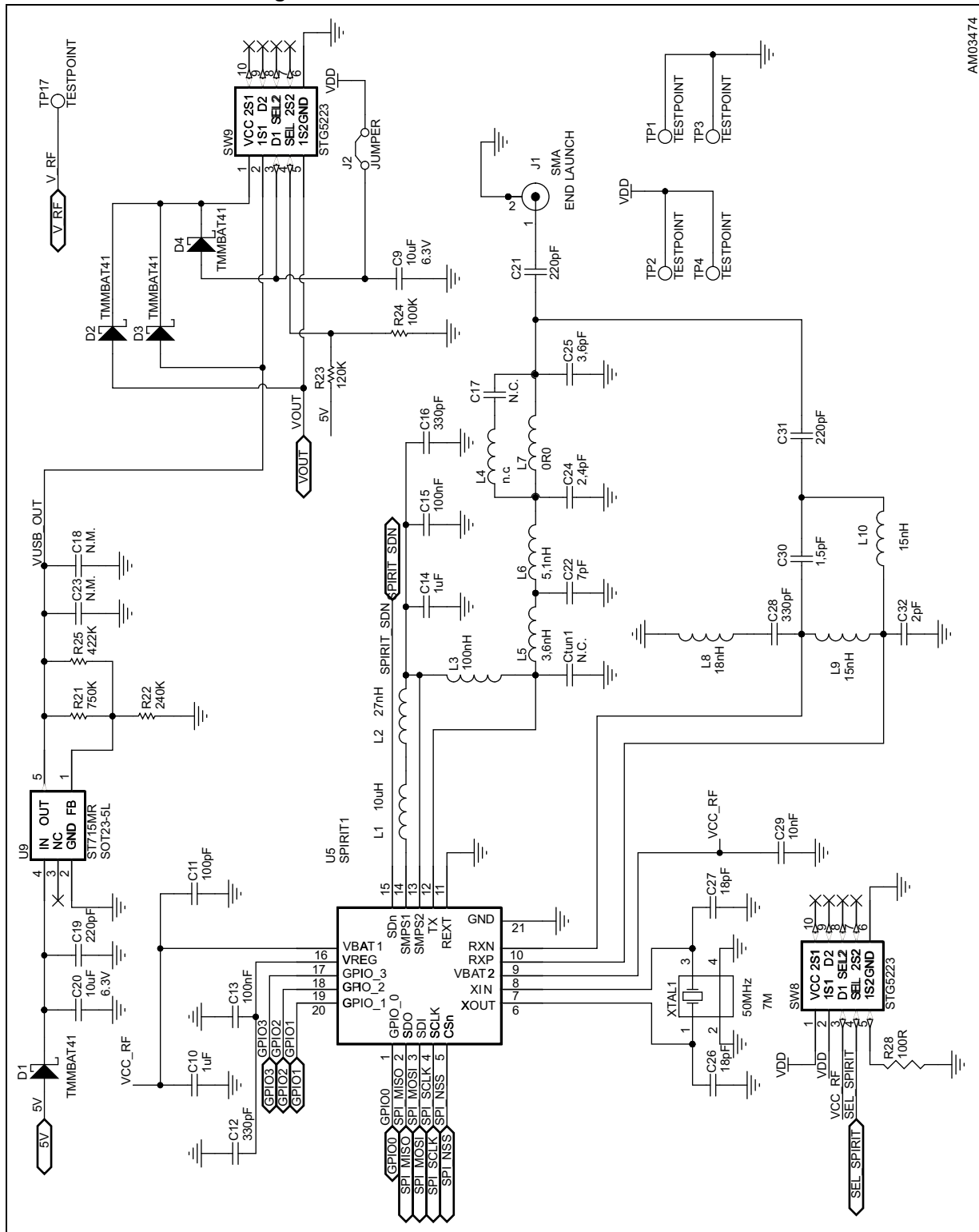


Contents

- 1 Transmitter board schematics and bill of material 3**
- 2 Transmitter board layout 10**
- 3 Receiver board schematics and bill of material 12**
- 4 Receiver board layout 16**
- 5 STEVAL-IDS002V1 reference kit description (SPIDEr™) 17**
 - 5.1 TX board connectors and jumpers 19
 - 5.1.1 Sensor/transmitting module connectors and jumpers 19
 - 5.1.2 Harvesting module connectors and jumpers 20
 - 5.2 RX board connectors and jumpers 22
- 6 Revision history 23**

1 Transmitter board schematics and bill of material

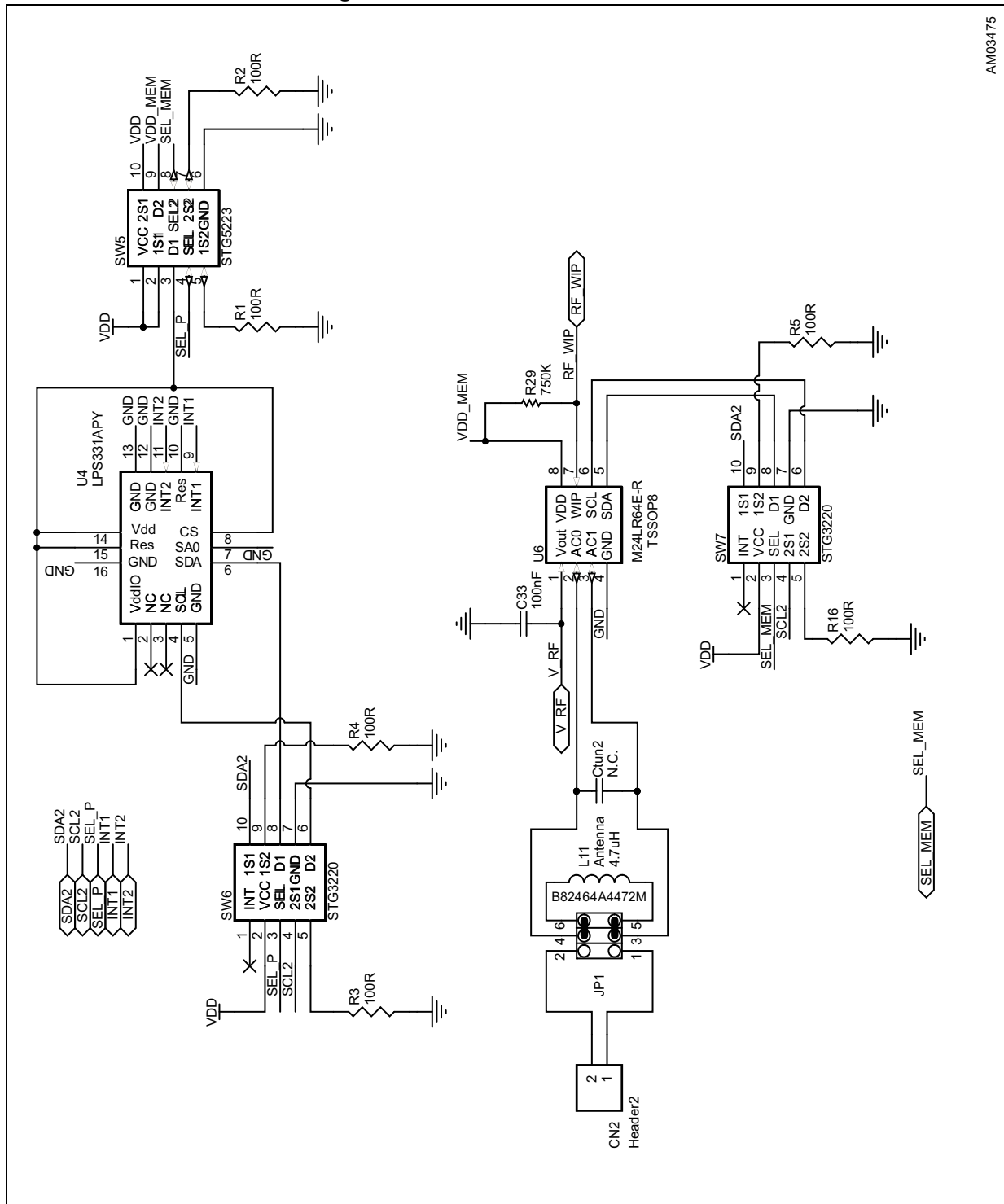
Figure 2. Board schematic - transmitter/receiver



AM03474

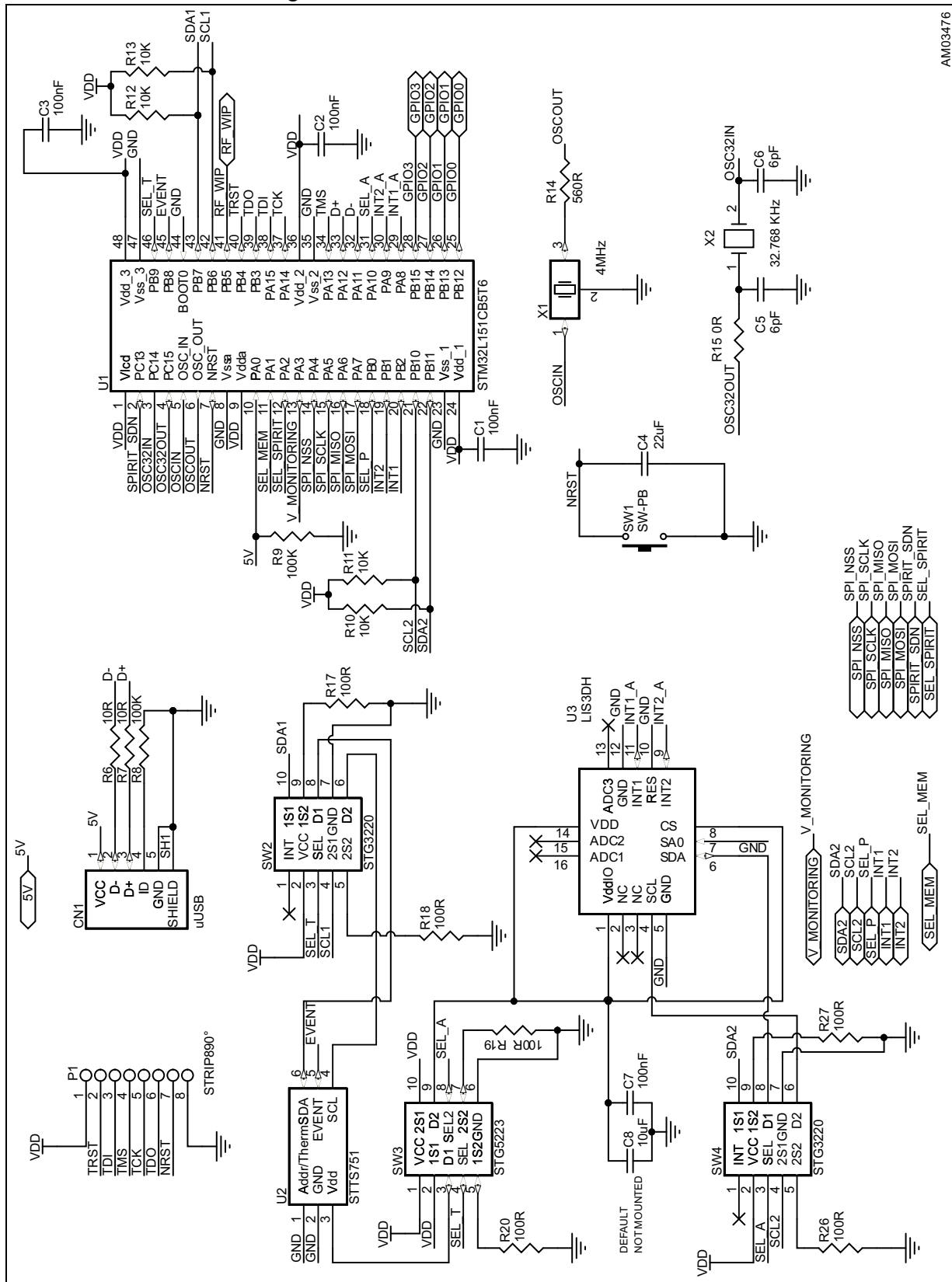


Figure 3. Board schematic - antenna



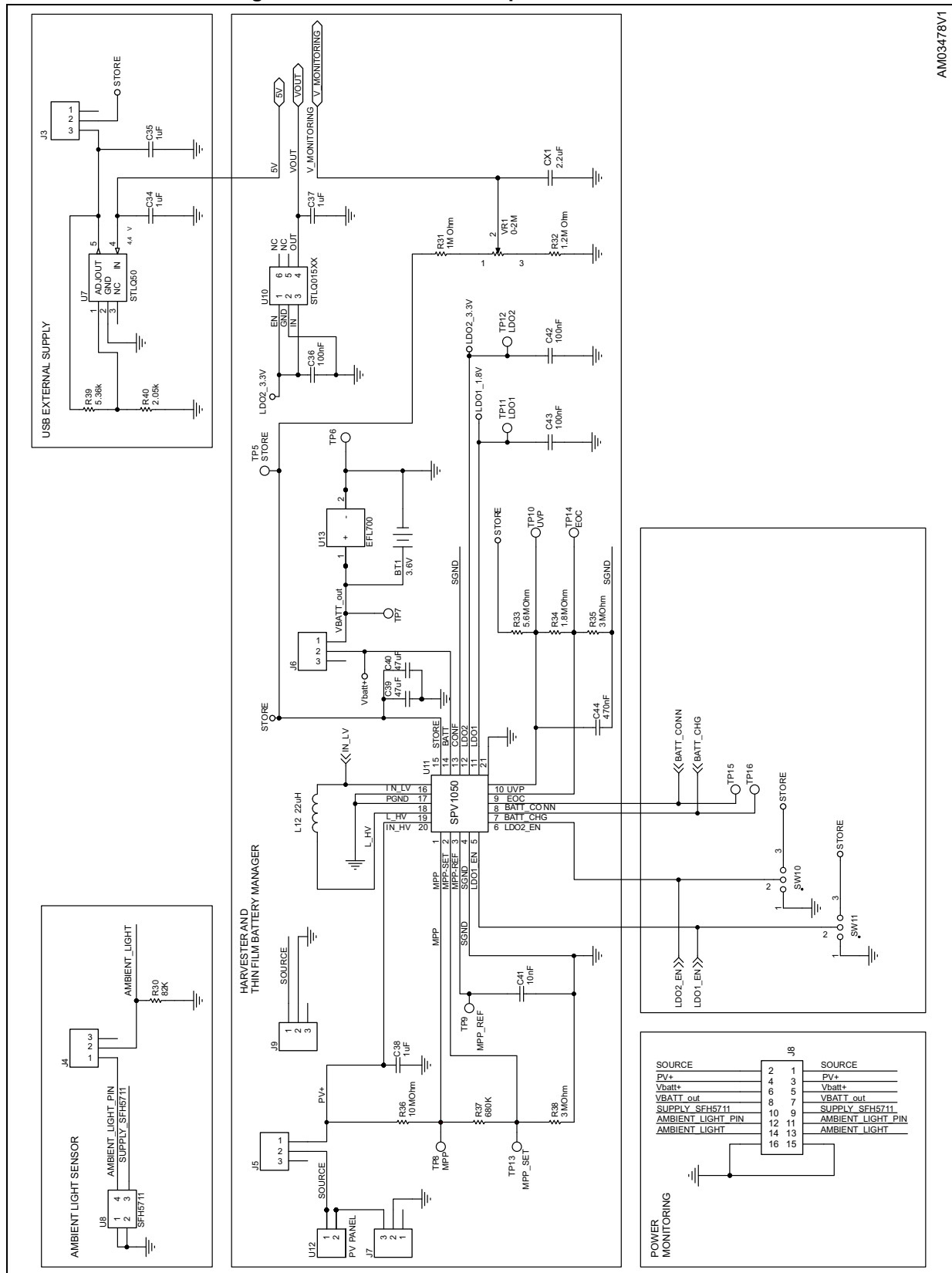
AM03475

Figure 4. Board schematic - microcontroller



AM03476

Figure 5. Board schematic - photovoltaic harvester



AM03478V1



Table 1. Transmitter board - bill of material

Item	Qty.	Designator	SCI part number	Value
1	1	BT1	BATT-CR2450-3V6	3.6 V
2	9	C1, C2, C3, C7, C13, C15, C33, C42, C43	CCERSMD104-0402M	100 nF
3	1	C4	CCERSMD226-0603V	22 μ F
4	2	C5, C6	CCERSMD060-0402	6 pF
5	1	C8		10 μ F - DNM
6	2	C9, C20	CCERSMD106-0603R	10 μ F
7	1	C10	CCERSMD105-0603T	1 μ F
8	1	C11	CCERSMD101-0402M	100 pF
9	3	C12, C16, C28	CCERSMD331-0402	330 pF
10	1	C14	CCERSMD105-0603T	1 μ F
11	2	C17, Ctun1		DNM
12	2	C18, C23		DNM
13	1	C19	CCERSMD221-0603	220 pF
14	2	C21, C31	CCERSMD221-0402	220 pF
15	1	C22	CCERSMD070-0402	7 pF
16	1	C24	CCERSMD024-0402	2.4 pF
17	1	C25	CCERSMD036-0402	3.6 pF
18	2	C26, C27	CCERSMD180-0402	18 pF
19	1	C29	CCERSMD103-0402M	10 nF
20	1	C30	CCERSMD015-0402	1.5 pF
21	1	C32	CCERSMD020-0402	2 pF
22	2	C34, C35	CCERSMD105-0603T	1 μ F
23	1	C36	CCERSMD104-0603T	100 nF
24	2	C37, C38	CCERSMD105-0603T	1 μ F
25	2	C39, C40	CCERSMD476-0805K	47 μ F
26	1	C41	CCERSMD103-0603R	10 nF
27	1	C44	CCERSMD474-0603P	470 nF
28	1	CN1	USB-MICROB-SMD	μ USB
29	1	CN2	SAM-TSW10208GSRA	Header 2
30	1	Ctun2		DNM
31	4	D1, D2, D3, D4	DBAT41M-SMD	Schottky
32	1	J1	BNC-SMA-9EL-SMD	BNC
33	1	No reference: antenna to be screwed on J1	LPRS - WR868	868 MHz to 915 MHz, SMA antenna
34	1	J2	STRIP2PM	JUMPER

Table 1. Transmitter board - bill of material (continued)

Item	Qty.	Designator	SCI part number	Value
35	6	J3, J4, J5, J6, J7, J9	STRIP1X3-M-SMD	ST_19_STRIP3_100M_V_
36	1	J8	SAM-SMH10802GD	Header 8X2
37	1	JP1	SAM-TMM10302GD	STRIP2X3
38	1	L1	INDLQM21FN100M70	10 μ H
39	1	L2	IND0402CS-27N	27 nH
40	1	L3	INDLQG15HSR10J02	100 nH
41	1	L4		DNM
42	1	L5	INDLQG15HN3N6S02	3.6 nH
43	1	L6	INDLQG15HN5N1S02	5.1 nH
44	1	L7	RESMD000-0402	0 Ω
45	1	L8	INDLQG15HN18NJ02	18 nH
46	2	L9, L10	INDLQG15HN15NJ02	15 nH
47	1	L11	INDSMD4,7UH82464	Antenna
48	1	L12	IND-LPS4018223ML	22 μ H
49	1	P1	STRIP40PMD90	STRIP 8 POLI
50	13	R1, R2, R3, R4, R5, R16, R17, R18, R19, R20, R26, R27, R28	RESMD101-0402	100 Ω
51	2	R6, R7	RESMD100-0402	10 Ω
52	2	R8, R9	RESMD104-0402	100 K Ω
53	4	R10, R11, R12, R13	RESMD103-0402	10 K Ω
54	1	R14	RESMD561-0402	560 Ω
55	1	R15	RESMD000-0402	0 Ω
56	2	R21, R29	RESMD754-0603	750 K Ω
57	1	R22	RESMD244-0603	240 K Ω
58	1	R23	RESMD124-0603	120 K Ω
59	1	R24	RESMD104-0603	100 K Ω
60	1	R25	RESMD4223-0603	422 K Ω
61	1	R30	RESMD823-0603	82 K Ω
62	1	R31	RESMD105-0603	1 M Ω
63	1	R32	RESMD125-0603	1.2 M Ω
64	1	R33	RESMD562-0603	5.6 M Ω
65	1	R34	RESMD185-0603	1.8 M Ω
66	2	R35, R38	RESMD305-0603	3 M Ω
67	1	R36	RESMD106-0603	10 M Ω
68	1	R37	RESMD684-0603	680 K Ω

Table 1. Transmitter board - bill of material (continued)

Item	Qty.	Designator	SCI part number	Value
69	1	R39	RESMD5361-603-01	5.36 k Ω
70	1	R40	RESMD2051-0603	2.05 k Ω
71	1	SW1	PULS-B3U1100-SMD	SW-PB
72	4	SW2, SW4, SW6, SW7	STG3220QTR-SMD	STG3220
73	4	SW3, SW5, SW8, SW9	STG5223QTR-SMD	STG5223
74	2	SW10, SW11	RS 712-2558	SW SLIDE-SPST
75	3	TP1, TP3, TP17	TEST2	TEST2
76	2	TP2, TP4	TEST2-R	TEST2
77	12	TP5, TP6, TP7, TP8, TP9, TP10, TP11, TP12, TP13, TP14, TP15, TP16		DNM
78	1	U1	STM32L151-SMD	STM32L151CB5T6
79	1	U2	STTS7510WB3-SMD	STTS751
80	1	U3	LIS3DH-SMD	LIS3DH
81	1	U4	LPS331AP-SMD	LPS331APY
82	1	U5	SPIRIT1QTR-SMD	SPIRIT1
83	1	U6	M24LR64ER-SMD	M24LR64E-R
84	1	U7	STLQ50C-R-SMD	STLQ50
85	1	U8	PTR-SFH5711-SMD	SFH5711
86	1	U9	ST715MR-SMD	ST715MR
87	1	U10	STLQ015XG25R-SMD	STLQ015XX
88	1	U11	KIT-EXT	SPV1050
89	2	U12	PANN-AM-1801	PV PANEL
90	1	U13	BATT-HOLD-2450	BATT-HOLD-2450
91	1	VR1	RTR-3312-2M-SMD	0 - 2 M Ω
92	1	X1	Q4MHZ-SMD-RISZ	4 MHz
93	1	X2	Q32,768-ABS07SMD	XT-2PIN
94	1	XTAL1	Q50MHZ-TXC7M-SMD	50 MHz
95	1	CX1	CCERSMD225-0805X	2.2 μ F

2 Transmitter board layout

Figure 6. Transmitter board - top layer view

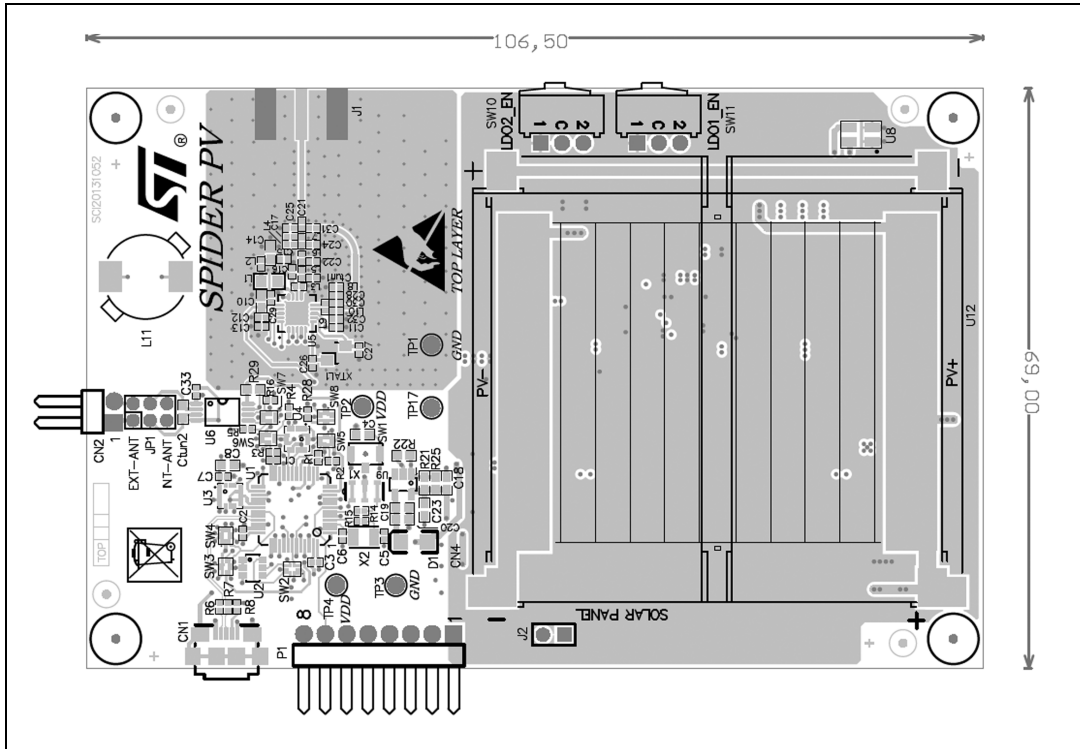


Figure 7. Transmitter board - inner layer 1 view

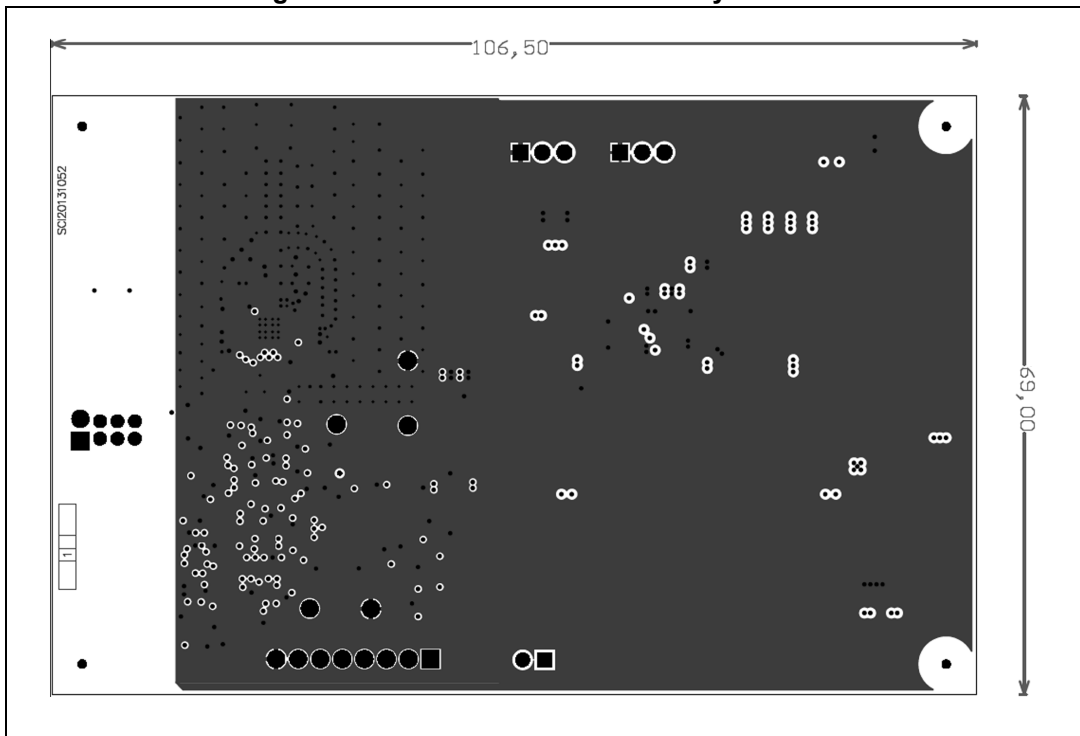


Figure 8. Transmitter board - inner layer 2 view

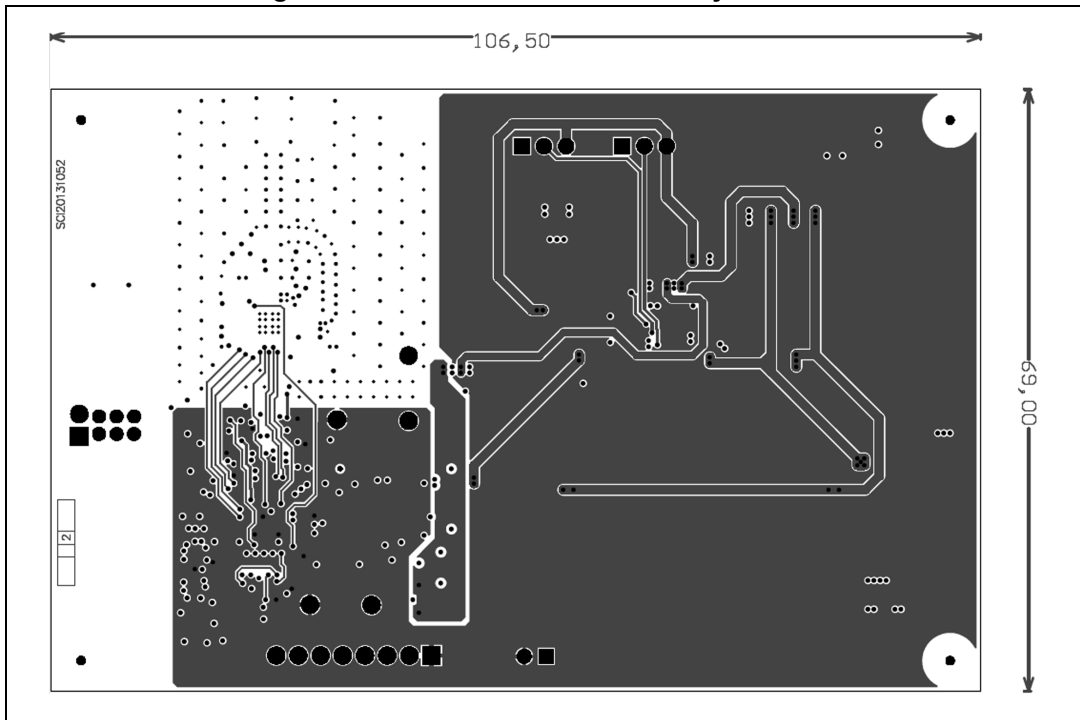
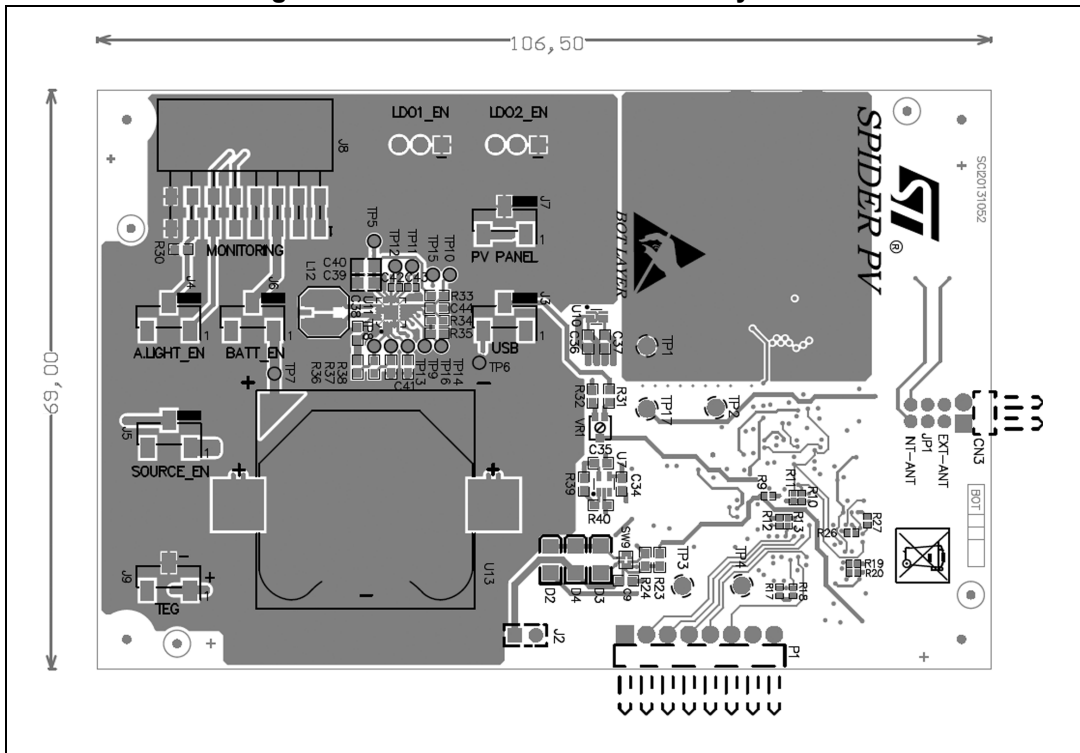
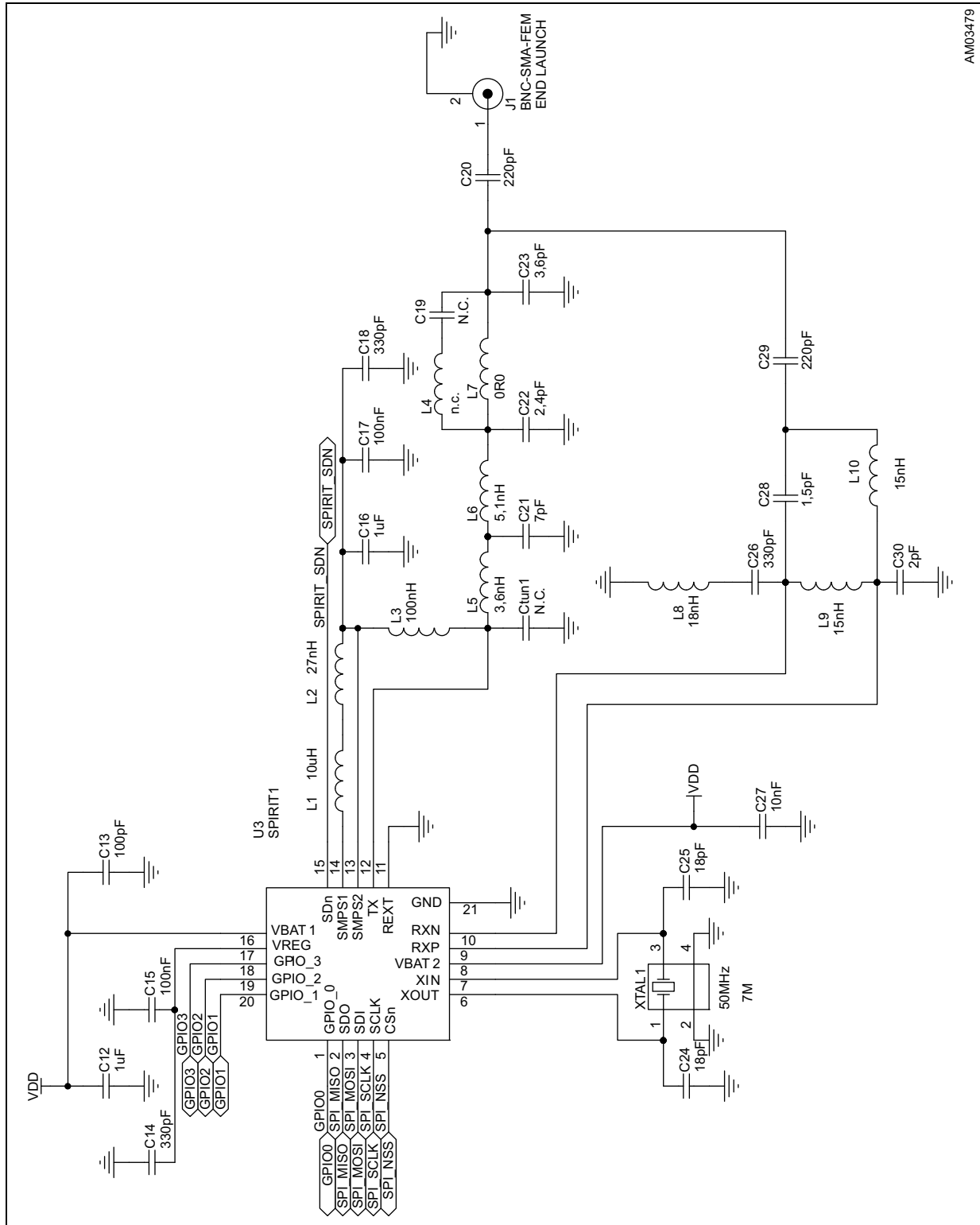


Figure 9. Transmitter board - bottom layer view



3 Receiver board schematics and bill of material

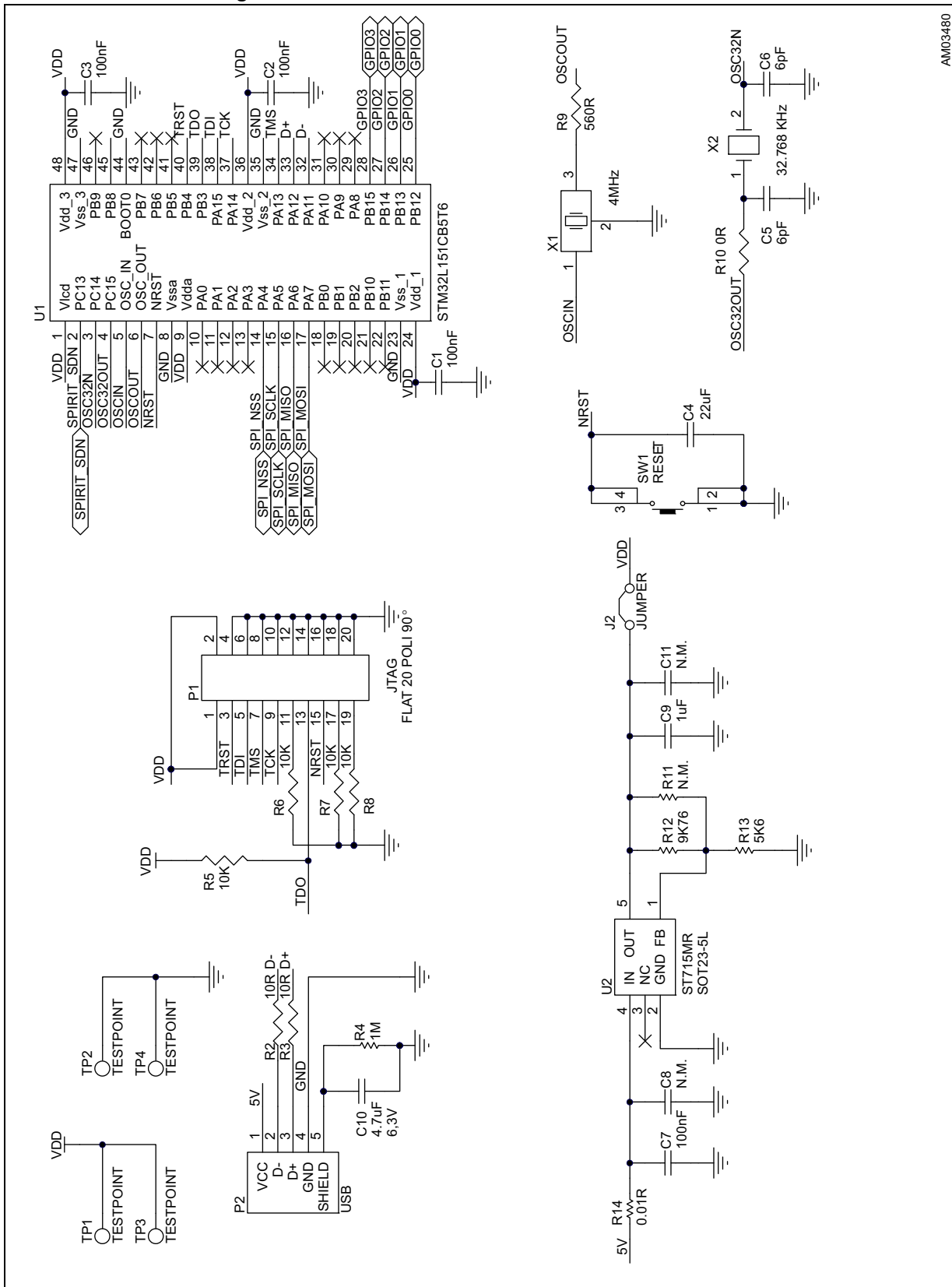
Figure 10. Receiver board schematic - RF transmitter/receiver



AM03479



Figure 11. Receiver board schematic - microcontroller



AM03480



Table 2. Receiver board - bill of material

Qty.	Designator	Part number SCI	Comment	Part description
5	C1, C2, C3, C15, C17	CCERSMD104-0402M	100 nF	Mult. cer. cap. 16 V SMD 0402
1	C4	CCERSMD226-0603V	22 μ F	Mult. cer. cap. 6.3 V SMD 0603
2	C5, C6	CCERSMD060-0402	6 pF	Mult. cer. cap. 50 V SMD 0402
1	C7	CCERSMD104-0603V	100 nF	Mult. cer. cap. 50 V SMD 0603
2	C8, C11		N. M.	Mult. cer. cap. 6.3 V SMD 0603
1	C9	CCERSMD105-0603M	1 μ F	Mult. cer. cap. 25 V SMD 0603
1	C10	CCERSMD475-0603	4.7 μ F	Mult. cer. cap. 6.3 V SMD 0603
1	C13	CCERSMD101-0402M	100 pF	Mult. cer. cap. 50 V SMD 0402
3	C14, C18, C26	CCERSMD331-0402	330 pF	Mult. cer. cap. 50 V SMD 0402
2	C19, Ctun1		N. C.	Mult. cer. cap. SMD 0402
2	C20, C29	CCERSMD221-0402	220 pF	Mult. cer. cap. 50 V SMD 0402
1	C21	CCERSMD070-0402	7 pF	Mult. cer. cap. 50 V SMD 0402
1	C22	CCERSMD024-0402	2.4 pF	Mult. cer. cap. 50 V SMD 0402
1	C23	CCERSMD036-0402	3.6 pF	Mult. cer. cap. 50 V SMD 0402
2	C24, C25	CCERSMD180-0402	18 pF	Mult. cer. cap. 50 V SMD 0402
1	C27	CCERSMD103-0402M	10 nF	Mult. cer. cap. 50 V SMD 0402
1	C28	CCERSMD015-0402	1.5 pF	Mult. cer. cap. 50 V SMD 0402
1	C30	CCERSMD020-0402	2pF	Mult. cer. cap. 50 V SMD 0402
1	J1	BNC-SMA-9EL-SMD	BNC	Female SMA end launch jack
1	No reference: antenna to be screwed on J1	LPRS - WR868	Antenna	868 MHz to 915 MHz, SMA antenna
1	J2	STRIP2PM	Jumper	Male strip 2 poles
1	L1	INDLQM21FN100M70	10 μ H	SMPS out inductor - Murata LQM21 series
1	L2	IND0402CS-27N	27 nH	SMPS out inductor - Coilcraft
1	L3	INDLQG15HSR10J02	100 nH	TX PA choke
1	L4		N. C.	SMD inductor 0402
1	L5	INDLQG15HN3N6S02	3.6 nH	TX LPF 1 st series
1	L6	INDLQG15HN5N1S02	5.1 nH	TX LPF 2 nd series
1	L7	RESMD000-0402	0 Ω	Resistor 1/16 W 1% SMD 0402
1	L8	INDLQG15HN18NJ02	18 nH	TX LPF 2 nd series
2	L9, L10	INDLQG15HN15NJ02	15 nH	TX LPF 2 nd series
1	P1	M.20.90 LP	20 Flat	20-way flat connector (horizontal)
1	P2	SAMTECUSBB	USB	SAMTEC USB B connector, right angle
2	R2, R3	RESMD100-0402	10 Ω	Resistor 1/16 W 1% SMD 0402
1	R4	RESMD105-0402	1 M Ω	Resistor 1/16 W 1% SMD 0402

Table 2. Receiver board - bill of material (continued)

Qty.	Designator	Part number SCI	Comment	Part description
4	R5, R6, R7, R8	RESMD103-0402	10 K Ω	Resistor 1/16 W 1% SMD 0402
1	R9	RESMD561-0402	560 Ω	Resistor 1/16 W 1% SMD 0402
1	R10	RESMD000-0402	0 Ω	Resistor 1/16 W 1% SMD 0402
1	R11		N. M.	Resistor 1/10 W 1% SMD 0603
1	R12	RESMD9761-0603	9.76 K Ω	Resistor 1/10 W 1% SMD 0603
1	R13	RESMD562-0603	5.6 K Ω	Resistor 1/10 W 1% SMD 0603
1	R14	RESMD0R01-0603	0.01 Ω	Resistor 1/10 W 1% SMD 0603
1	SW1	PULS-DTSM61-SMD	Reset	Pushbutton_SMD
2	TP1, TP3	TEST2-R	TEST2	PCB test point - raised loops
2	TP2, TP4	TEST2	TEST2	PCB test point - raised loops
1	U1	STM32L151-SMD	STM32L15 1CB5T6	Microprocessor - SMD LQFP48
1	U2	ST715MR-SMD	ST715MR	High input voltage - 85 mA LDO linear regulator - SOT23-5L
1	U3	KIT-EXT	SPIRIT1	ST
1	X1	Q4MHZ-SMD-RISZ	4 MHz	4 MHz SMD RESONATOR
1	X2	Q32,768-ABS07SMD	XT-2PIN	QUARTZ ABRACON SMD ABS07
1	XTAL1	Q50MHZ-TXC7M-SMD	50 MHz	QUARTZ 50 MHz SMD TXC 7M series

4 Receiver board layout

Figure 12. Receiver board - top layer view

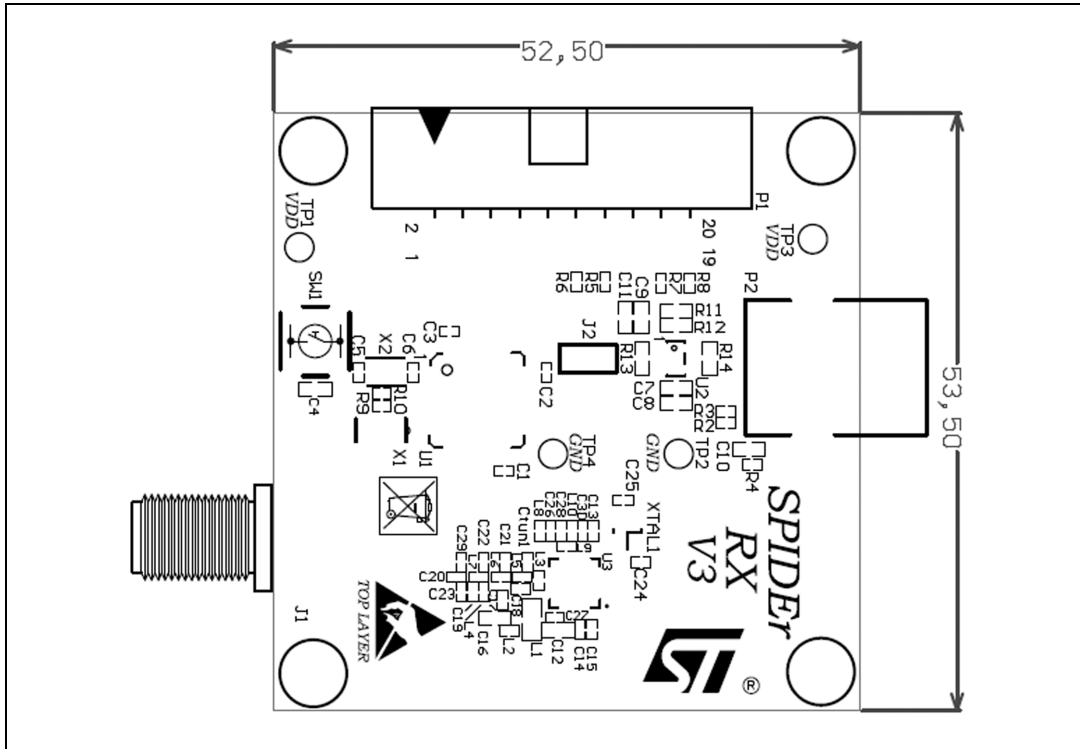
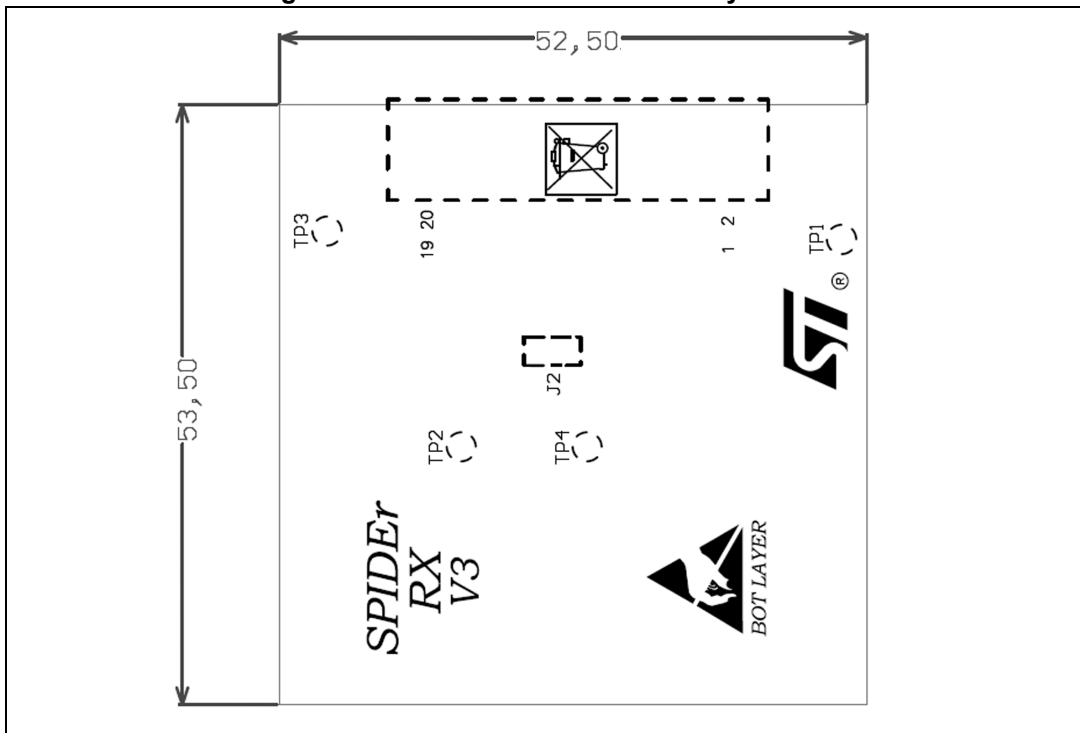


Figure 13. Receiver board - bottom layer view



5 STEVAL-IDS002V1 reference kit description (SPIDER™)

The STEVAL-IDS002V1 kit includes two different boards:

- The TX board integrating both the harvesting module and the sensor/transmitting module.
- The RX board that only receives data and lets them available to the PC GUI.

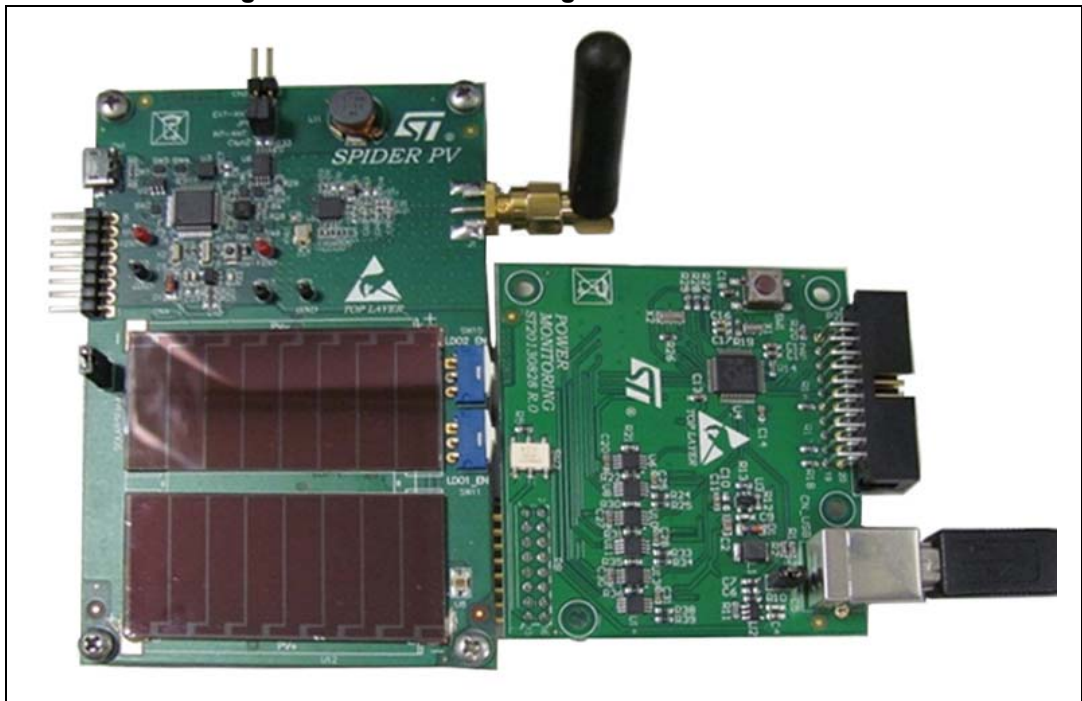
The harvesting module on the TX board is based on the SPV1050 ULP energy harvester, battery charger and power manager IC.

Purposes of the harvesting module are extracting the maximum power allowable from the on-board PV panel, controlling the battery charging and supplying the sensor/transmitting module.

For an exhaustive description of the SPV1050 device, please refer to the related datasheet.

The power efficiency and MPPT accuracy of the harvesting module can be monitored by connecting the power monitoring board on J8 and launching the provided software. [Figure 14](#) shows the transmitter board connected to the power monitoring board.

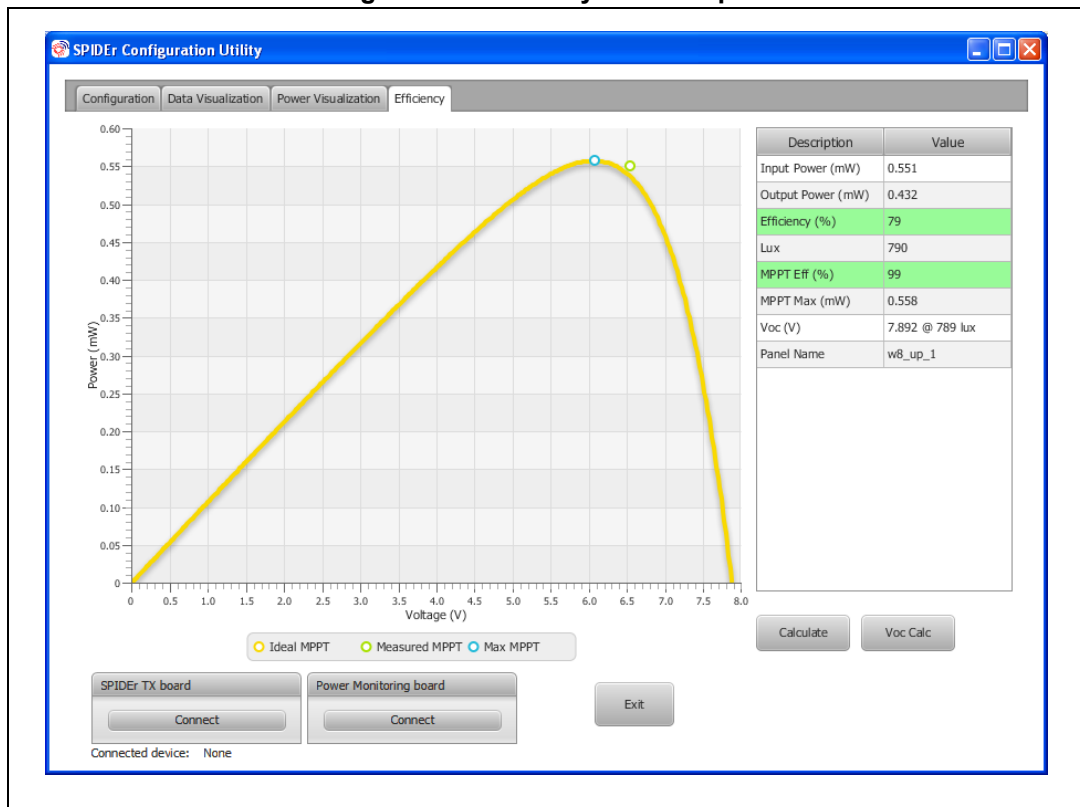
Figure 14. Power monitoring and STEVAL-IDS002V1



A complete description of the software and GUI is reported in the software user manual UM1752. Just as an example, [Figure 15](#) shows the efficiency tab of the GUI displaying:

- The actual PV panel curve according to the ambient light conditions
- The green dot indicating the real working point
- The blue dot indicating the maximum power point
- The table (on the top right side of the screen) reporting the main system parameters and performances.

Figure 15. Efficiency tab example



The sensor/transmitting module on the TX board is a complete autonomous wireless sensor node, including three different environment sensors based on MEMS technology, a low-power embedded radio, a dual port Flash memory providing a NFC interface and a dedicated microcontroller. Main components are:

- Sensors
 - 1. Temperature sensor STM STTS751
 - 2. Pressure sensor STM LPS331
 - 3. 3-axis accelerometer STM LIS3DH
- Low power radio STM SPIRIT1
- DP memory + NFC interface STM M24LR64E
- Microcontroller STM STM32L151CB5T6

All devices (except the microcontroller) can be physically disconnected via dedicated power switches, which are dynamically configured through the software GUI. All other characteristics of the node are customized by the GUI too, such as the sampling period, transmission delay, and radio configuration.

Moreover the TX board can be used as an extra harvesting source, thanks to the M24LR64E DP memory. As a matter of fact the M24LR64E device works as an RF harvesting module, in the frequency range of NFC communication, so that it is able to provide (through a dedicated pin) a certain energy amount while it is read / written.

5.1 TX board connectors and jumpers

5.1.1 Sensor/transmitting module connectors and jumpers

CN1 (6-pin): micro-USB connector

Table 3. CN1 connector

Pin	1	2	3	4	5	6
Direction/supply	IN	INOUT	INOUT	INOUT	INOUT	INOUT
Signal	VUSB (5 V)	D-	D+	ID	GND	SHIELD

CN2 (2-pin): external antenna connector

Use the pin 1 and pin 2 of CN2 to connect an external antenna, alternative to the one on-board (J1).

Set properly JP1 in case an external antenna is connected on CN2.

P1 (8-pin connector): dedicated JTAG connector

Table 4. P1 connector

Pin	1	2	3	4	5	6	7	8
Direction/supply	OUT	OUT	IN	OUT	OUT	OUT	OUT	INOUT
Signal	VDD	TRST	TDI	TMS	TCK	TDO	NRST	GND

Table 5. JP1 connector

	JP1
Function	CLOSE: 3 - 5 and 4 - 6 to use the on-board antenna CLOSE: 1 - 3 and 2 - 4 to use external antenna on CN2

Table 6. J2 jumper

	J2
Function	CLOSE: sensor/transmitting module supplied by the harvesting module OPEN: sensor/transmitting module supplied by external USB (for test functions)

5.1.2 Harvesting module connectors and jumpers

Table 7. J3 jumper

J3	
Function	CLOSE2 - 3: STORE pin supplied by the USB cable OPEN 1 - 2: STORE pin supplied by the energy harvesting source.

Table 8. J4 jumper

J4	
Function	CLOSE 1 - 2: not used OPEN 1 - 2: enables ambient light sensing from the monitoring board

Table 9. J5 jumper

J5	
Function	CLOSE1 - 2: bypasses power monitoring sense and supplies directly the SPV1050 OPEN 1 - 2: enables input sensing from the power monitoring board

Table 10. J6 jumper

Function	CLOSE 1 - 2: bypasses power monitoring sense and connects the battery to the BATT pin OPEN 1 - 2: enables output sensing from the power monitoring board
----------	---

Table 11. J7 jumper

J7	
Function	CLOSE 2 - 3: harvesting board supplied by the on-board PV panel OPEN: enables alternative source from J9

J9 (2-pin connector)

This connector is provided to supply the SPV1050 device by supply source alternative to the on-board PV panel. In case a supply source is connected to J9, then J7 must be open.

Table 12. J9 connector

Pin	1	2
Direction/supply	SUPPLY	SUPPLY
Signal	SOURCE +	SOURCE -

J8 (16-pin monitoring connector)

It provides the connection to the power monitoring board.

Table 13. J8 connector

Pin	1 - 2	3 - 4	5 - 6	7 - 8	9 - 10	11 - 12	13 - 14	15 - 16
Direction/supply	OUT	OUT	OUT	OUT	SUPPLY	OUT	OUT	SUPPLY
Signal	SOURCE	PV+	Vbatt+	VBATT_ OUT	SUPPLY_ SFH5711	AMBIENT_ LIGHT_PIN	AMBIENT_ _LIGHT	GND

- SOURCE, PV+:**
 Harvesting source current sensing pins.
 If the power monitoring board is used, then the jumper J5 must be left open; otherwise (power monitoring board not used) pins 1 - 2 of J5 must be shorted.
- VBATT+, VBATT_OUT:**
 Battery current sensing pins.
 If the power monitoring board is used, then the jumper J6 must be left open; otherwise (power monitoring board not used) pins 1 - 2 of J6 must be shorted.
- SUPPLY_SF5711:**
 Power supply of the ambient light sensor pin (placed on the top side of the board).
 The ambient light sensor is supplied and used only when the power monitoring board is connected.
- AMBIENT_LIGHT, AMBIENT_LIGHT_PIN:**
 Ambient light current sensing pins.
 If the power monitoring board is used, then the jumper J7 must be left open.
- GND: Ground pin.**

Table 14. SW1 - SW2

	SW1	SW2
Function	CLOSE 1 - 3: LDO1 DISABLED	CLOSE 1 - 3: LDO2 DISABLED (sensor/transmitter module not supplied)
	CLOSE 2 - 3: LDO1 ENABLED	CLOSE 2 - 3: LDO2 ENABLED (sensor/transmitter module supplied)

5.2 RX board connectors and jumpers

P1 (20-pin connector): standard JTAG connector

Table 15. P1- part 1

Pin	1 - 2	3	5	7	9	11	13	15
Direction	OUT	OUT	IN	OUT	OUT	INOUT	OUT	OUT
Signal	VDD	TRST	TDI	TMS	TCK	PD	TDO	NRST

Table 16. P1 - part 2

Pin	17 - 19	2 - 4 - 6 - 8 - 10 - 12 - 14 - 16 - 18 - 20
Direction	INOUT	INOUT
Signal	PD	GND

P2 (5-pin): standard USB connector

Table 17. P2

Pin	1	2	3	4	5
Direction	IN	INOUT	INOUT	INOUT	INOUT
Signal	VUSB (5 V)	D-	D+	GND	SHIELD

Table 18. J2

	J2
Function	CLOSE 1 - 2: USB direct supply OPEN 1 - 2: Alternative supply from P1

6 Revision history

Table 19. Document revision history

Date	Revision	Changes
27-May-2014	1	Initial release.

Please Read Carefully:

Information in this document is provided solely in connection with ST products. STMicroelectronics NV and its subsidiaries ("ST") reserve the right to make changes, corrections, modifications or improvements, to this document, and the products and services described herein at any time, without notice.

All ST products are sold pursuant to ST's terms and conditions of sale.

Purchasers are solely responsible for the choice, selection and use of the ST products and services described herein, and ST assumes no liability whatsoever relating to the choice, selection or use of the ST products and services described herein.

No license, express or implied, by estoppel or otherwise, to any intellectual property rights is granted under this document. If any part of this document refers to any third party products or services it shall not be deemed a license grant by ST for the use of such third party products or services, or any intellectual property contained therein or considered as a warranty covering the use in any manner whatsoever of such third party products or services or any intellectual property contained therein.

UNLESS OTHERWISE SET FORTH IN ST'S TERMS AND CONDITIONS OF SALE ST DISCLAIMS ANY EXPRESS OR IMPLIED WARRANTY WITH RESPECT TO THE USE AND/OR SALE OF ST PRODUCTS INCLUDING WITHOUT LIMITATION IMPLIED WARRANTIES OF MERCHANTABILITY, FITNESS FOR A PARTICULAR PURPOSE (AND THEIR EQUIVALENTS UNDER THE LAWS OF ANY JURISDICTION), OR INFRINGEMENT OF ANY PATENT, COPYRIGHT OR OTHER INTELLECTUAL PROPERTY RIGHT.

ST PRODUCTS ARE NOT DESIGNED OR AUTHORIZED FOR USE IN: (A) SAFETY CRITICAL APPLICATIONS SUCH AS LIFE SUPPORTING, ACTIVE IMPLANTED DEVICES OR SYSTEMS WITH PRODUCT FUNCTIONAL SAFETY REQUIREMENTS; (B) AERONAUTIC APPLICATIONS; (C) AUTOMOTIVE APPLICATIONS OR ENVIRONMENTS, AND/OR (D) AEROSPACE APPLICATIONS OR ENVIRONMENTS. WHERE ST PRODUCTS ARE NOT DESIGNED FOR SUCH USE, THE PURCHASER SHALL USE PRODUCTS AT PURCHASER'S SOLE RISK, EVEN IF ST HAS BEEN INFORMED IN WRITING OF SUCH USAGE, UNLESS A PRODUCT IS EXPRESSLY DESIGNATED BY ST AS BEING INTENDED FOR "AUTOMOTIVE, AUTOMOTIVE SAFETY OR MEDICAL" INDUSTRY DOMAINS ACCORDING TO ST PRODUCT DESIGN SPECIFICATIONS. PRODUCTS FORMALLY ESCC, QML OR JAN QUALIFIED ARE DEEMED SUITABLE FOR USE IN AEROSPACE BY THE CORRESPONDING GOVERNMENTAL AGENCY.

Resale of ST products with provisions different from the statements and/or technical features set forth in this document shall immediately void any warranty granted by ST for the ST product or service described herein and shall not create or extend in any manner whatsoever, any liability of ST.

ST and the ST logo are trademarks or registered trademarks of ST in various countries.

Information in this document supersedes and replaces all information previously supplied.

The ST logo is a registered trademark of STMicroelectronics. All other names are the property of their respective owners.

© 2014 STMicroelectronics - All rights reserved

STMicroelectronics group of companies

Australia - Belgium - Brazil - Canada - China - Czech Republic - Finland - France - Germany - Hong Kong - India - Israel - Italy - Japan - Malaysia - Malta - Morocco - Philippines - Singapore - Spain - Sweden - Switzerland - United Kingdom - United States of America

www.st.com