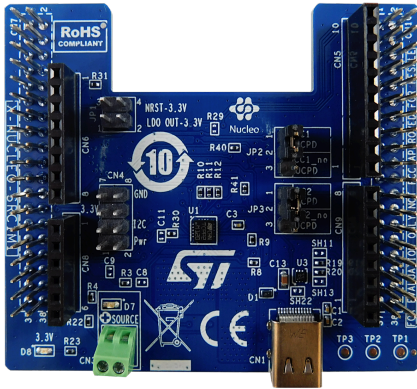


# USB Type-C™ Power Delivery source expansion board based on TCPP02-M18 for STM32 Nucleo



## Features

- Supports all USB Type-C™ Power Delivery SPR profiles up to 100 W
- Manages source role data/power configuration
- Compliant with USB 2.0 dual role data according to STM32 USB data capability
- 8/20  $\mu$ s surge and overcurrent protections, and discharge for  $V_{BUS}$
- Short to  $V_{BUS}$  protection for configuration channel pins (CC1 and CC2)
- ESD protection (IEC61000-4-2 level 4  $\pm$  8 kV contact discharge) for CC1, CC2, D+, and D-
- Overvoltage and overcurrent protections, and discharge for  $V_{CONN}$
- Common mode filter on D+/D- data lines
- Two power modes to optimize the current consumption
- Compliant with programmable power supplies (PPS)
- Free comprehensive development firmware library
- Compliant with STM32 Nucleo-64 boards featuring an STM32 with UCPD feature for Power Delivery and without UCPD feature for a 5 V solution only

## Description

The **X-NUCLEO-SRC1M1** expansion board allows evaluating the features of the **TCPP02-M18** for the USB Type-C™ and the protections for  $V_{BUS}$  and CC lines suitable for source applications.

The expansion board is designed to be stacked on top of any STM32 Nucleo-64 development board with Power Delivery (UCPD) peripheral embedded in the microcontroller.

You can also stack it on top of any other STM32 Nucleo-64 development board not supporting the UCPD peripheral for 5 V, source only, to demonstrate the USB Type-C™ basic operations (attach, detach and 5 V power supply current capability information).

When using an STM32 Nucleo-64 development board with a Power Delivery peripheral, data functionalities as a host device or dual role data (DRD) are also allowed.

The **X-NUCLEO-SRC1M1** provides an effective demonstration of the source operation of the USB Type-C™ connector when an external compatible source is connected to the board. The integrated **ST715PU33R** LDO linear regulator can supply the connected **STM32 Nucleo** development board.

The **X-NUCLEO-SRC1M1** is compliant with the latest USB Type-C™ and Power Delivery specifications.

The companion software package (**X-CUBE-TCPP**) contains the application examples for the development boards embedding UCPD-based microcontrollers (for example, **NUCLEO-G071RB**, **NUCLEO-G474RE**, and **NUCLEO-G0B1RE**) and for those not supporting the UCPD peripheral (**NUCLEO-F446RE**).

Product summary	
USB Type-C™ Power Delivery source expansion board based on TCPP02-M18 for STM32 Nucleo	<b>X-NUCLEO-SRC1M1</b>
USB Type-C™ port protection for source application	<b>TCPP02-M18</b>
USB Type-C™ software expansion for STM32Cube	<b>X-CUBE-TCPP</b>
Applications	<b>USB Type-C™ and Power Delivery</b>



Figure 2. X-NUCLEO-SRC1M1 circuit schematic (2 of 3)

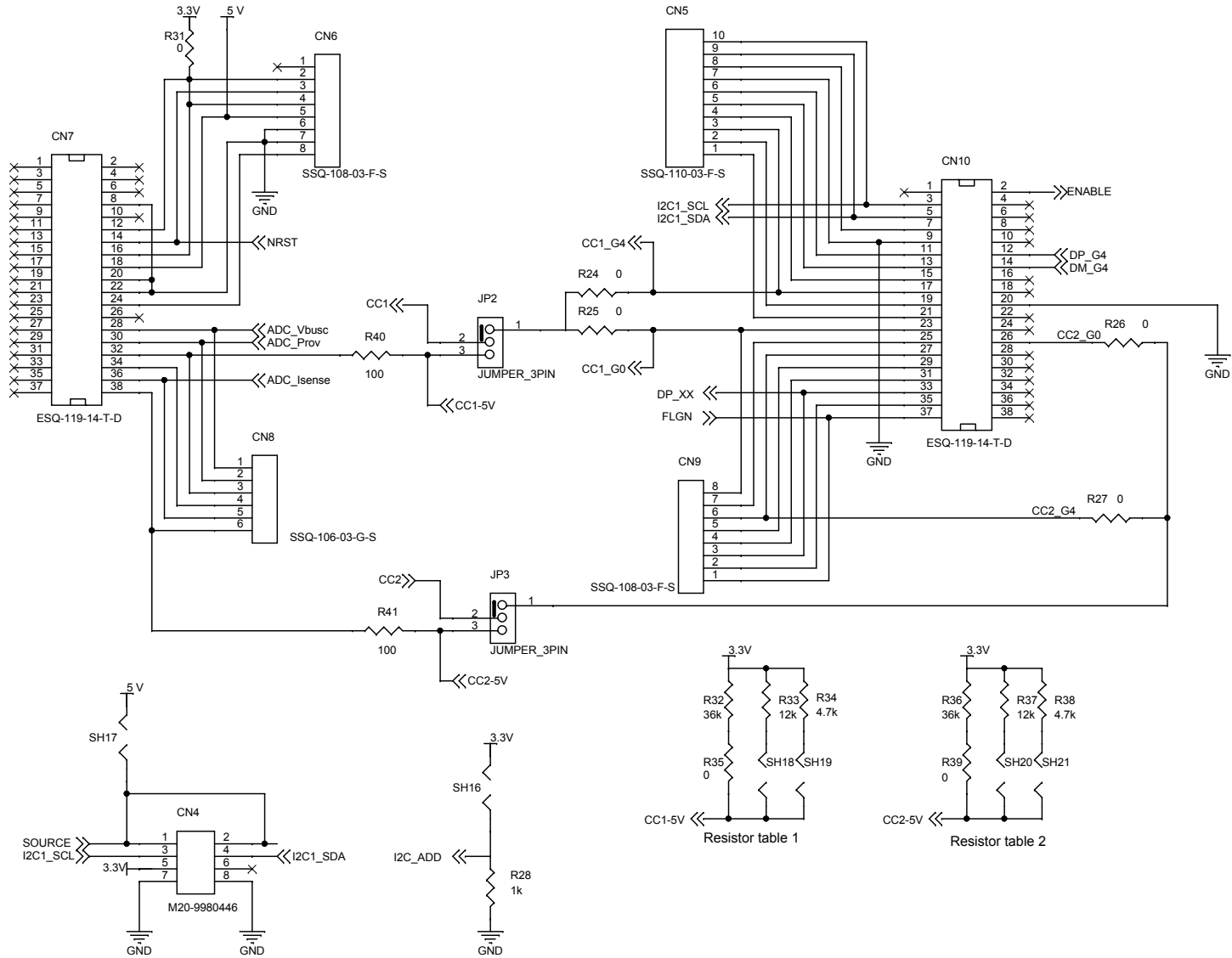
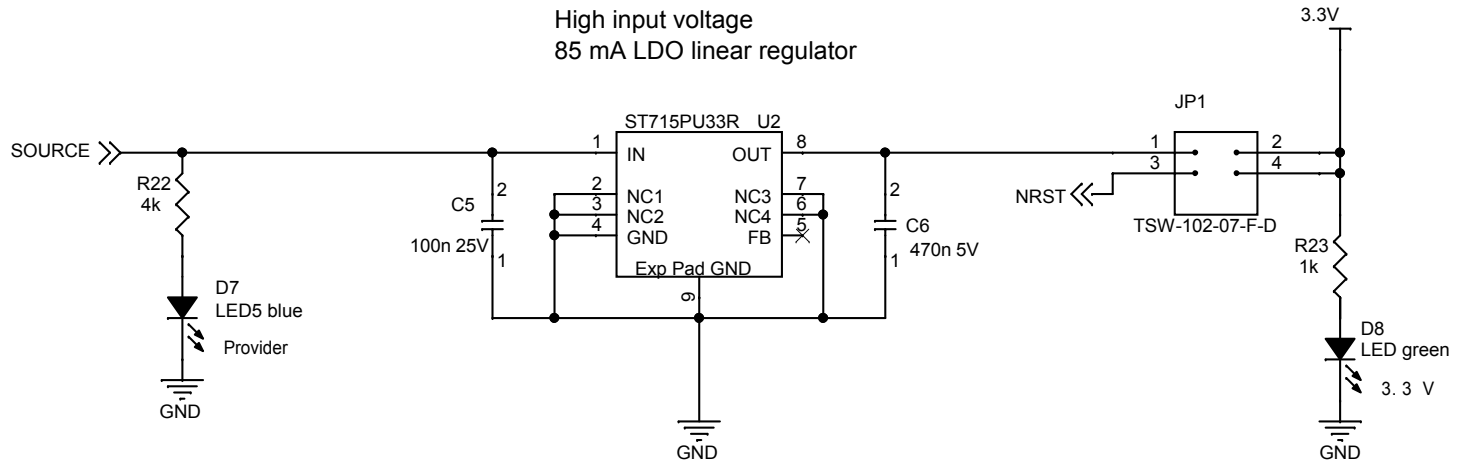


Figure 3. X-NUCLEO-SRC1M1 circuit schematic (3 of 3)

High input voltage  
85 mA LDO linear regulator



## 2 Board versions

**Table 1. X-NUCLEO-SRC1M1 versions**

Finished good	Schematic diagrams	Bill of materials
XNUCLEO\$SRC1M1A <sup>(1)</sup>	XNUCLEO\$SRC1M1A schematic diagrams	XNUCLEO\$RSC1M1A bill of materials

1. This code identifies the X-NUCLEO-SRC1M1 evaluation board first version.

## Revision history

**Table 2. Document revision history**

Date	Revision	Changes
14-Dec-2021	1	Initial release.
09-May-2022	2	Updated cover page description.

**IMPORTANT NOTICE – READ CAREFULLY**

STMicroelectronics NV and its subsidiaries (“ST”) reserve the right to make changes, corrections, enhancements, modifications, and improvements to ST products and/or to this document at any time without notice. Purchasers should obtain the latest relevant information on ST products before placing orders. ST products are sold pursuant to ST’s terms and conditions of sale in place at the time of order acknowledgment.

Purchasers are solely responsible for the choice, selection, and use of ST products and ST assumes no liability for application assistance or the design of purchasers’ products.

No license, express or implied, to any intellectual property right is granted by ST herein.

Resale of ST products with provisions different from the information set forth herein shall void any warranty granted by ST for such product.

ST and the ST logo are trademarks of ST. For additional information about ST trademarks, refer to [www.st.com/trademarks](http://www.st.com/trademarks). All other product or service names are the property of their respective owners.

Information in this document supersedes and replaces information previously supplied in any prior versions of this document.

© 2022 STMicroelectronics – All rights reserved