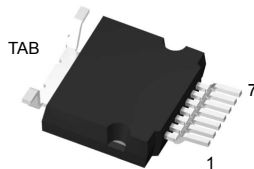
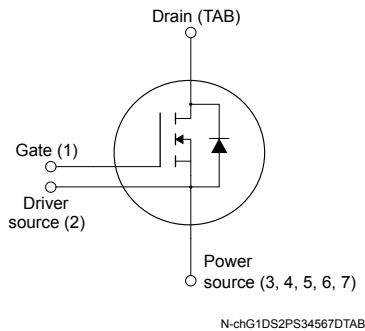


Automotive-grade silicon carbide Power MOSFET 650 V, 21.5 mΩ typ., 60 A in an HU3PAK package




HU3PAK



Features

Order code	V _{DS}	R _{DS(on)} typ.	I _D
SCT018HU65G3AG	650 V	21.5 mΩ	60 A

- AEC-Q101 qualified 
- Very low R_{DS(on)} over the entire temperature range
- High speed switching performances
- Very fast and robust intrinsic body diode
- Source sensing pin for increased efficiency

Applications

- DC/DC converter for EV/HEV
- Main inverter (electric traction)
- On board charger (OBC)

Description

This silicon carbide Power MOSFET device has been developed using ST's advanced and innovative 3rd generation SiC MOSFET technology. The device features a very low R_{DS(on)} over the entire temperature range combined with low capacitances and very high switching operations, which improve application performance in frequency, energy efficiency, system size and weight reduction.



Product status link

[SCT018HU65G3AG](#)

Product summary

Order code	SCT018HU65G3AG
Top-side marking	18HU65G3AG
Back-side marking	SCT18HU65G3AG
Package	HU3PAK
Packing	Tape and reel

1 Electrical ratings

Table 1. Absolute maximum ratings

Symbol	Parameter	Value	Unit
V_{DS}	Drain-source voltage	650	V
V_{GS}	Gate-source voltage	-10 to 22	V
	Gate-source voltage (recommended operating values)	-5 to 18	
	Gate-source transient voltage, $t_p < 1 \mu s$, $t \leq 10$ hours over lifetime	-11 to 25	
$I_D^{(1)}$	Drain current (continuous) at $T_C = 25 \text{ }^\circ\text{C}$	60	A
	Drain current (continuous) at $T_C = 100 \text{ }^\circ\text{C}$	60	
$I_{DM}^{(2)}$	Drain current (pulsed)	312	A
P_{TOT}	Total power dissipation at $T_C = 25 \text{ }^\circ\text{C}$	388	W
T_{stg}	Storage temperature range	-55 to 175	$^\circ\text{C}$
T_J	Operating junction temperature range		$^\circ\text{C}$

1. Limited by bonding wires.
2. Pulse width is limited by safe operating area.

Table 2. Thermal data

Symbol	Parameter	Value	Unit
R_{thJC}	Thermal resistance, junction-to-case	0.39	$^\circ\text{C/W}$
R_{thJA}	Thermal resistance, junction-to-ambient	50	$^\circ\text{C/W}$

2 Electrical characteristics

$T_C = 25\text{ °C}$ unless otherwise specified.

Table 3. On/off states

Symbol	Parameter	Test conditions	Min.	Typ.	Max.	Unit
$V_{(BR)DSS}$	Drain-source breakdown voltage	$V_{GS} = 0\text{ V}$, $I_D = 1\text{ mA}$	650			V
I_{DSS}	Zero gate voltage drain current	$V_{GS} = 0\text{ V}$, $V_{DS} = 650\text{ V}$			10	μA
I_{GSS}	Gate-body leakage current	$V_{DS} = 0\text{ V}$, $V_{GS} = -10\text{ to }22\text{ V}$			± 100	nA
$V_{GS(th)}$	Gate threshold voltage	$V_{DS} = V_{GS}$, $I_D = 5\text{ mA}$	1.8	3.0	4.2	V
$R_{DS(on)}$	Static drain-source on-resistance	$V_{GS} = 15\text{ V}$, $I_D = 30\text{ A}$		26		m Ω
		$V_{GS} = 18\text{ V}$, $I_D = 30\text{ A}$		21.5	29	
		$V_{GS} = 18\text{ V}$, $I_D = 30\text{ A}$, $T_J = 175\text{ °C}$		28		

Table 4. Dynamic

Symbol	Parameter	Test conditions	Min.	Typ.	Max.	Unit
C_{iss}	Input capacitance	$V_{DS} = 400\text{ V}$, $f = 1\text{ MHz}$, $V_{GS} = 0\text{ V}$	-	1980	-	pF
C_{oss}	Output capacitance		-	184.5	-	pF
C_{riss}	Reverse transfer capacitance		-	20.6	-	pF
Q_g	Total gate charge	$V_{DD} = 400\text{ V}$, $V_{GS} = -5\text{ to }18\text{ V}$, $I_D = 30\text{ A}$	-	82.5	-	nC
Q_{gs}	Gate-source charge		-	28	-	nC
Q_{gd}	Gate-drain charge		-	20.4	-	nC
R_g	Intrinsic gate resistance	$f = 1\text{ MHz}$, $I_D = 0\text{ A}$	-	1.31	-	Ω

Table 5. Switching energy (inductive load)

Symbol	Parameter	Test conditions	Min.	Typ.	Max.	Unit
E_{on}	Turn-on switching energy	$V_{DD} = 400\text{ V}$, $I_D = 30\text{ A}$,	-	163.8	-	μJ
E_{off}	Turn-off switching energy	$R_G = 8.2\ \Omega$, $V_{GS} = -5\text{ V to }18\text{ V}$	-	123.3	-	μJ

Table 6. Switching times

Symbol	Parameter	Test conditions	Min.	Typ.	Max.	Unit
$t_{d(on)}$	Turn-on delay time	$V_{DD} = 400\text{ V}$, $I_D = 30\text{ A}$, $R_G = 8.2\ \Omega$, $V_{GS} = -5\text{ to }18\text{ V}$	-	29.5	-	ns
t_r	Rise time		-	9	-	ns
$t_{d(off)}$	Turn-off delay time		-	40.2	-	ns
t_f	Fall time		-	9.5	-	ns

Table 7. Reverse SiC diode characteristics

Symbol	Parameter	Test conditions	Min.	Typ.	Max.	Unit
$I_{SD}^{(1)}$	Continuous diode forward current	$T_C = 25\text{ }^\circ\text{C}$	-		60	A
		$T_C = 100\text{ }^\circ\text{C}$	-		60	
V_{SD}	Diode forward voltage	$I_{SD} = 30\text{ A}$, $V_{GS} = 0\text{ V}$	-	2.6		V
t_{rr}	Reverse recovery time	$I_{SD} = 30\text{ A}$, $di/dt = 3000\text{ A}/\mu\text{s}$, $V_{DD} = 400\text{ V}$	-	15.2		ns
Q_{rr}	Reverse recovery charge		-	209		nC
I_{RRM}	Reverse recovery current		-	23.4		A

1. Limited by bonding wires.

2.1 Electrical characteristics (curves)

Figure 1. Safe operating area

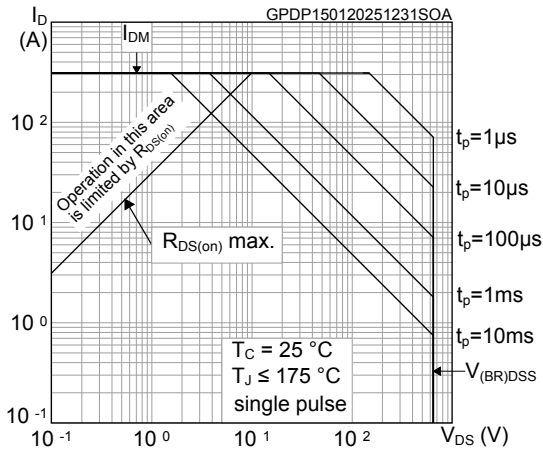


Figure 2. Maximum transient thermal impedance

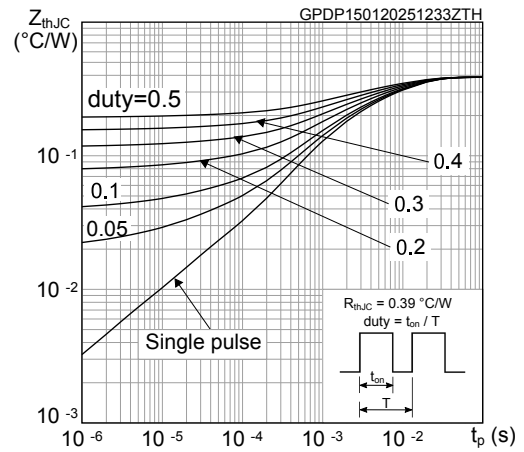


Figure 3. Typical output characteristics ($T_J = 25\text{ °C}$)

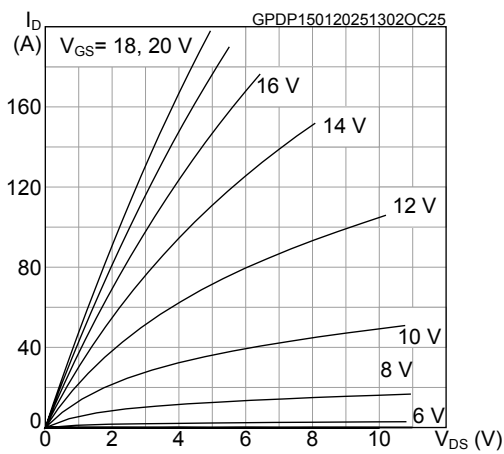


Figure 4. Typical output characteristics ($T_J = 175\text{ °C}$)

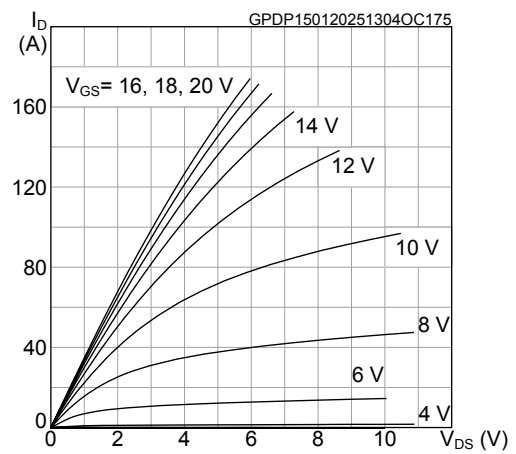


Figure 5. Typical transfer characteristics

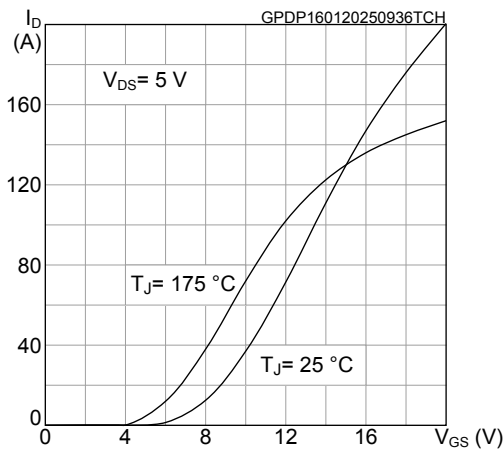


Figure 6. Total power dissipation

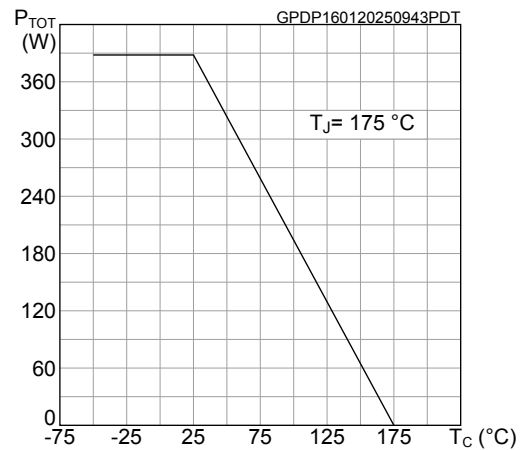


Figure 7. Typical gate charge characteristics

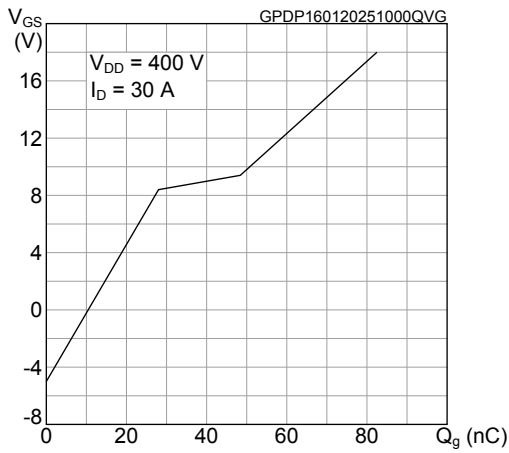


Figure 8. Typical capacitance characteristics

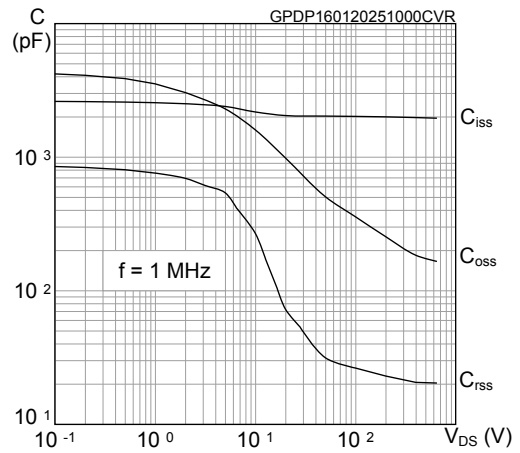


Figure 9. Typical switching energy vs drain current

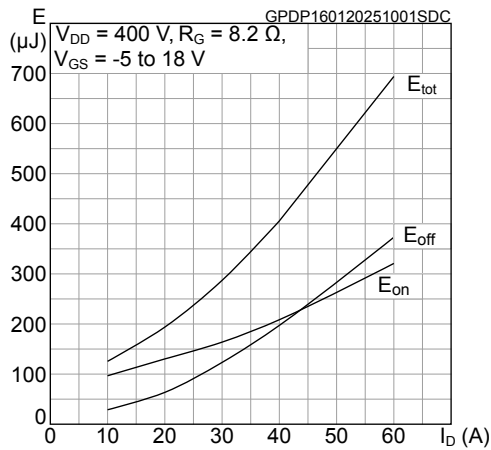


Figure 10. Typical switching energy vs gate resistance

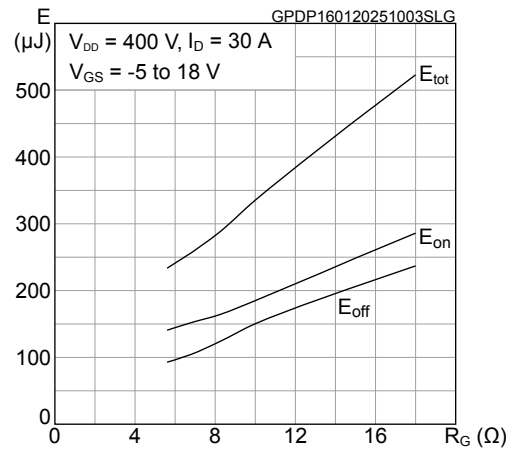


Figure 11. Typical switching energy vs supply voltage

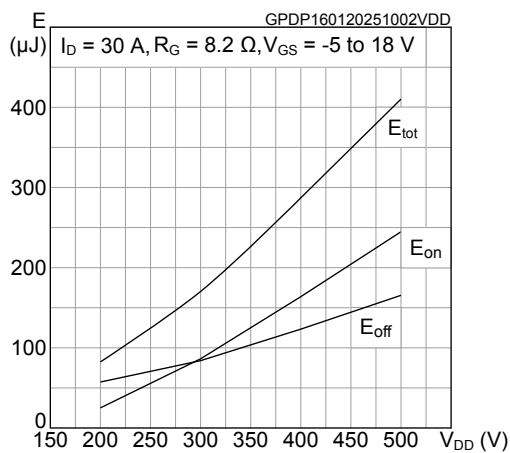


Figure 12. Typical switching energy vs temperature

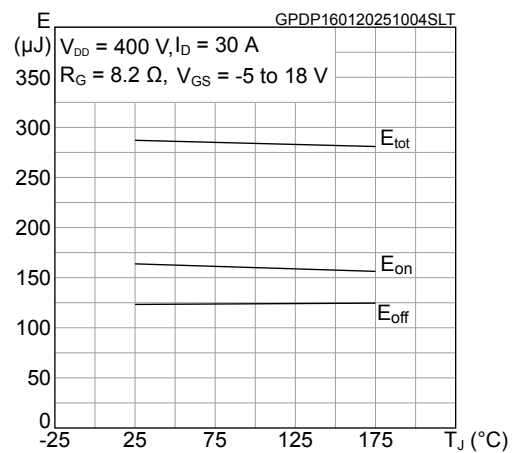


Figure 13. Maximum continuous drain current vs case temperature

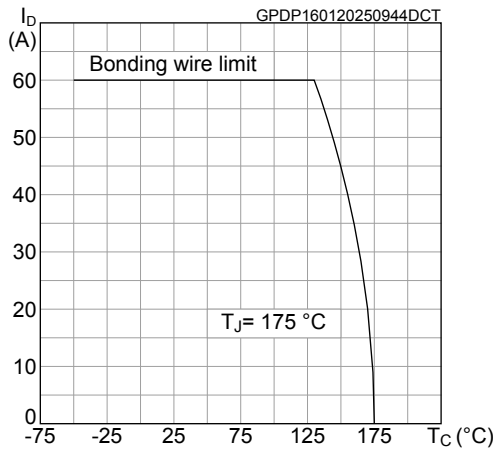


Figure 14. Normalized breakdown voltage vs temperature

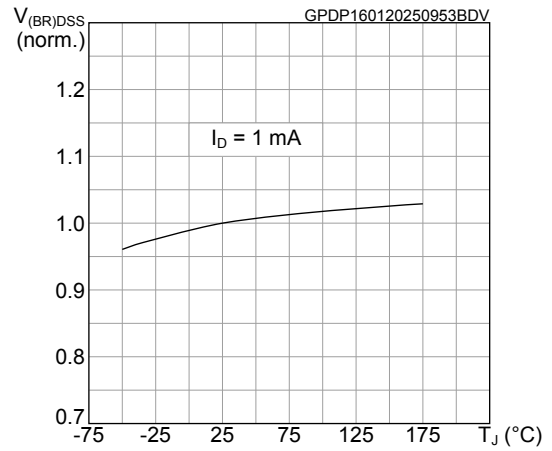


Figure 15. Normalized gate threshold vs temperature

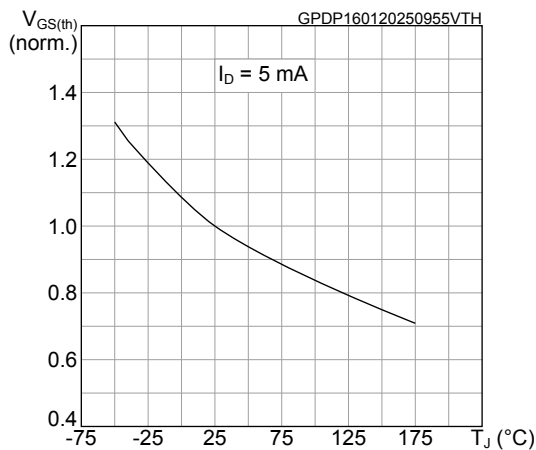


Figure 16. Normalized on-resistance vs temperature

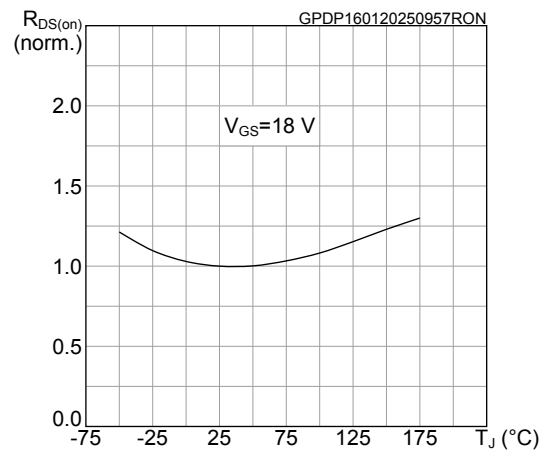


Figure 17. Typical reverse conduction characteristics (Tj = 25 °C)

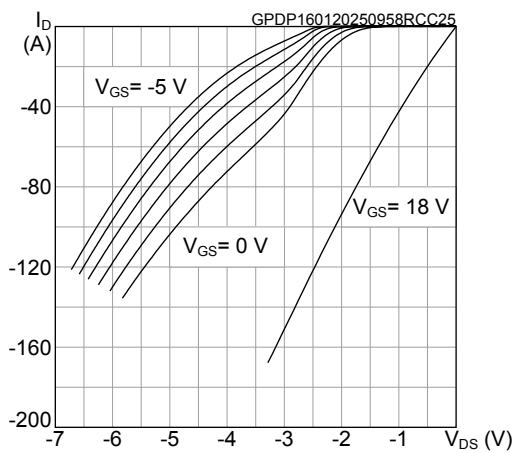
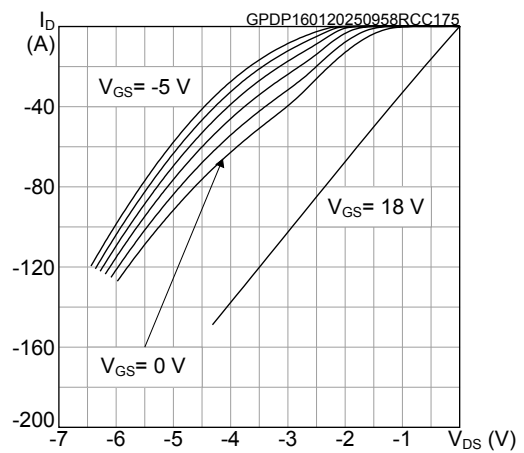


Figure 18. Typical reverse conduction characteristics (Tj = 175 °C)

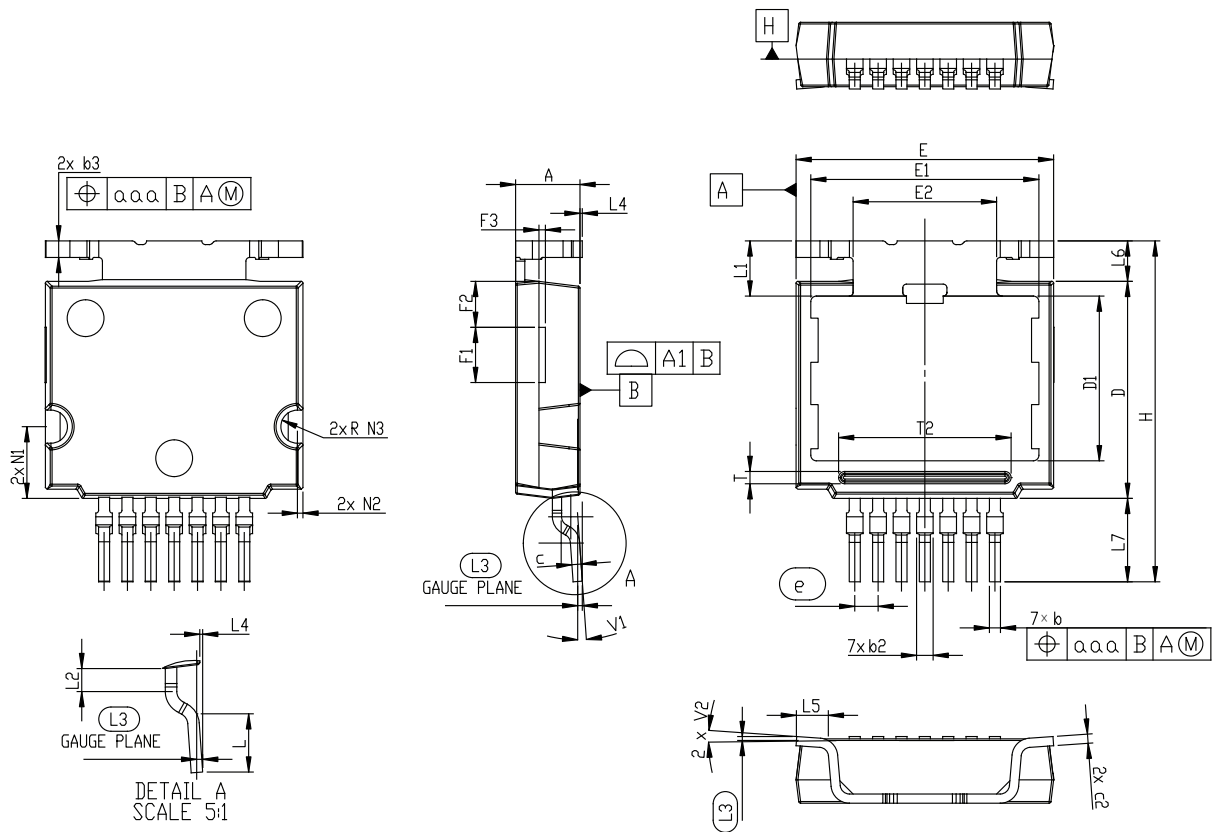


3 Package information

To meet environmental requirements, ST offers these devices in different grades of **ECOPACK** packages, depending on their level of environmental compliance. ECOPACK specifications, grade definitions, and product status are available at: www.st.com. ECOPACK is an ST trademark.

3.1 HU3PAK package information

Figure 19. HU3PAK package outline

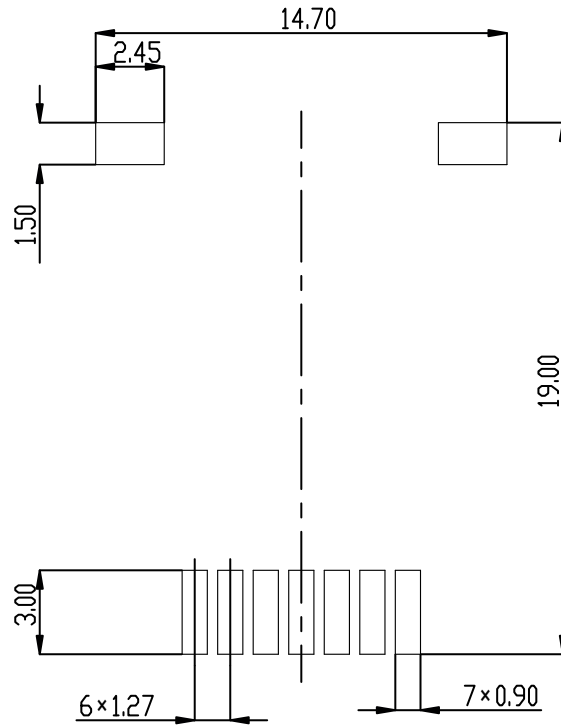


DM00674007_2

Table 8. HU3PAK package mechanical data

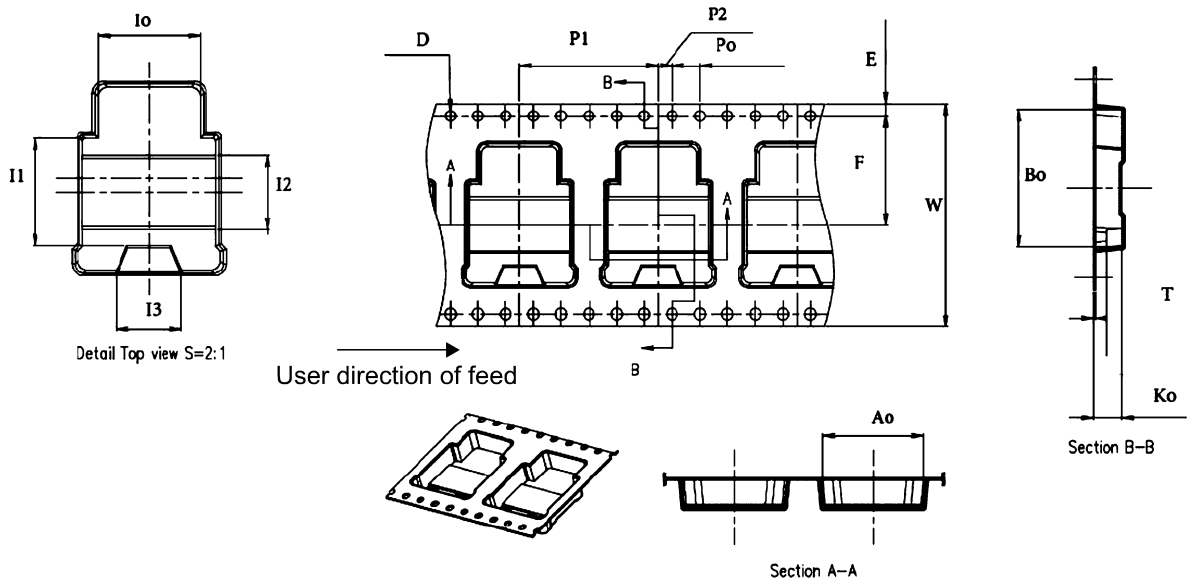
Ref.	Dimensions		
	mm		
	Min.	Typ.	Max.
A	3.40	3.50	3.60
A1		0.05	
b	0.50	0.60	0.70
b2	0.50	0.70	1.00
b3	0.80	0.90	1.00
c	0.40	0.50	0.60
c2	0.40	0.50	0.60
D	11.70	11.80	11.90
D1	8.80	8.955	9.10
E	13.90	14.00	14.10
E1	12.30	12.40	12.50
E2	7.75	7.80	7.85
e		1.27	
H	18.00	18.58	19.00
aaa		0.10	
L	2.40	2.52	2.60
L1		3.05	
L2	0.90	1.00	1.10
L3		0.26	
L4	0.075	0.125	0.175
L5	1.83	1.93	2.03
L6	2.14	2.24	2.34
L7	4.44	4.54	4.64
F1	2.90	3.00	3.10
F2	2.40	2.50	2.60
F3	0.25	0.35	0.45
N1	3.80	3.90	4.00
N2	0.25	0.30	0.45
N3	0.80	0.90	1.00
T	0.50	0.67	0.70
T2	9.18	9.38	9.43
V1		0°	8°
V2		0°	8°

Figure 20. HU3PAK recommended footprint (dimensions in mm)



3.2 HU3PAK packing information

Figure 21. HU3PAK carrier tape outline

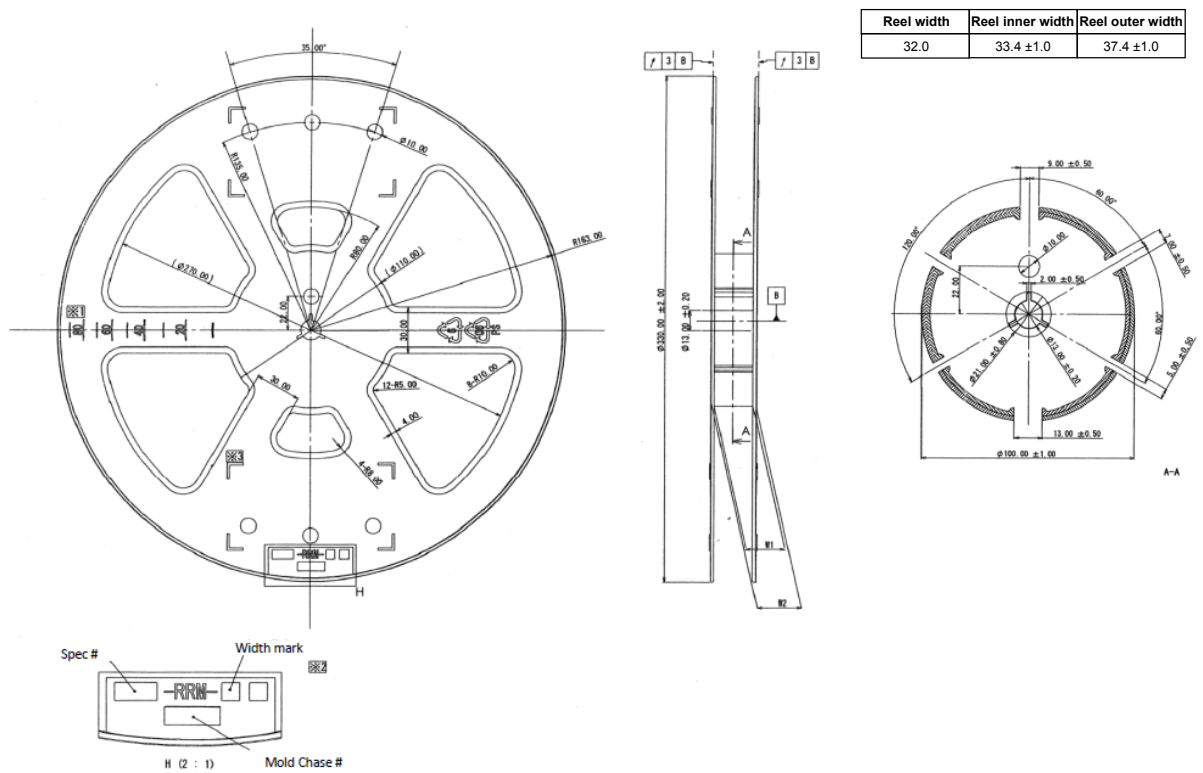


DM00345054_3

Table 9. HU3PAK tape mechanical data

Dimension	Value
	mm
A0	14.40 ±0.10
B0	19.70
D	1.50 ±0.10
E	1.75 ±0.10
F	15.65 ±0.10
I0	11.00
I1	11.60 ±0.10
I2	8.00
I3	7.00
K0	4.20
P0	4.00 ±0.10
P1	20.00 ±0.10
P2	2.00 ±0.10
T	0.40 ±0.50
W	32.00 ±0.30

Figure 22. HU3PAK reel outline (dimensions are in mm)



DM00345054_3_reel

Revision history

Table 10. Document revision history

Date	Revision	Changes
11-Apr-2023	1	First release.
18-Oct-2023	2	Updated title and <i>Features</i> on cover page. Updated <i>Table 1. Absolute maximum ratings</i> . Updated <i>Table 7. Reverse SiC diode characteristics</i> . Updated <i>Figure 10. Typical switching energy vs supply voltage</i> .
21-Jan-2025	3	Updated $R_{DS(on)}$ value and <i>Section Device summary</i> on cover page. Updated <i>Table 1. Absolute maximum ratings</i> . Updated <i>Section 2: Electrical characteristics</i> and <i>Section 2.1: Electrical characteristics (curves)</i> . Minor text changes.

Contents

1	Electrical ratings	2
2	Electrical characteristics	3
2.1	Electrical characteristics (curves)	5
3	Package information	8
3.1	HU3PAK package information	8
3.2	HU3PAK packing information	10
	Revision history	12

IMPORTANT NOTICE – READ CAREFULLY

STMicroelectronics NV and its subsidiaries (“ST”) reserve the right to make changes, corrections, enhancements, modifications, and improvements to ST products and/or to this document at any time without notice. Purchasers should obtain the latest relevant information on ST products before placing orders. ST products are sold pursuant to ST’s terms and conditions of sale in place at the time of order acknowledgment.

Purchasers are solely responsible for the choice, selection, and use of ST products and ST assumes no liability for application assistance or the design of purchasers’ products.

No license, express or implied, to any intellectual property right is granted by ST herein.

Resale of ST products with provisions different from the information set forth herein shall void any warranty granted by ST for such product.

ST and the ST logo are trademarks of ST. For additional information about ST trademarks, refer to www.st.com/trademarks. All other product or service names are the property of their respective owners.

Information in this document supersedes and replaces information previously supplied in any prior versions of this document.

© 2025 STMicroelectronics – All rights reserved