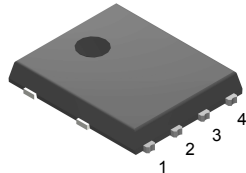
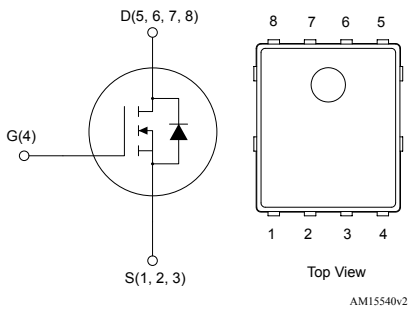



Automotive N-channel 40 V, 0.85 mΩ max., 350 A STripFET F8 Power MOSFET in a PowerFLAT 5x6 package


PowerFLAT 5x6


Features

Order code	V_{DS}	$R_{DS(on)}$ max.	I_D
STL325N4F8AG	40 V	0.85 mΩ	350 A

- AEC-Q101 qualified 
- MSL1 grade
- 175 °C maximum operating junction temperature
- 100% avalanche tested
- Low gate charge Q_g
- Wettable flank package

Applications

- Automotive motor control
- Body and convenience
- Chassis and safety
- Power train for ICE

Description

The **STL325N4F8AG** is a 40 V N-channel enhancement mode Power MOSFET designed in STripFET F8 technology featuring an enhanced trench gate structure. It ensures a state-of-the-art of figure of merit for very low on-state resistance while reducing internal capacitances and gate charge for faster and more efficient switching.



Product status link

[STL325N4F8AG](#)

Product summary

Order code	STL325N4F8AG
Marking⁽¹⁾	325N4F8
Package	PowerFLAT 5x6
Packing	Tape and reel

1. For engineering samples marking, see Section 3.3: PowerFLAT 5x6 marking information.

1 Electrical ratings

Table 1. Absolute maximum ratings (at $T_C = 25\text{ °C}$ unless otherwise specified)

Symbol	Parameter	Value	Unit
V_{DS}	Drain-source voltage	40	V
V_{GS}	Gate-source voltage	± 20	V
$I_D^{(1)}$	Drain current (continuous) at $T_C = 25\text{ °C}^{(2)}$	350	A
	Drain current (continuous) at $T_C = 100\text{ °C}^{(2)}$	247	
	Drain current (continuous) at $T_C = 25\text{ °C}^{(3)}$	120	
$I_{DM}^{(1)(2)(4)}$	Drain current (pulsed), $t_p = 10\text{ }\mu\text{s}$	1400	A
P_{TOT}	Total power dissipation at $T_C = 25\text{ °C}$	188	W
I_{AS}	Single pulse avalanche current (pulse width limited by T_J max.)	60	A
E_{AS}	Single pulse avalanche energy (starting $T_J = 25\text{ °C}$, $I_D = 60\text{ A}$, $R_{Gmin} = 25\text{ }\Omega$)	590	mJ
T_J	Operating junction temperature range	-55 to 175	$^{\circ}\text{C}$
T_{stg}	Storage temperature range		$^{\circ}\text{C}$

1. Specified by design, not tested in production.
2. This is the theoretical current value only related to the silicon.
3. This current value is limited by package.
4. Pulse width is limited by safe operating area.

Table 2. Thermal data

Symbol	Parameter	Value	Unit
$R_{thJA}^{(1)}$	Thermal resistance, junction-to-ambient (on 2s2p FR-4 board vertical in still area)	16	$^{\circ}\text{C/W}$
R_{thJC}	Thermal resistance, junction-to-case	0.8	$^{\circ}\text{C/W}$

1. Defined according to JEDEC standards (JESD51-5, -7).

2 Electrical characteristics

$T_J = 25\text{ °C}$ unless otherwise specified.

Table 3. On/off states

Symbol	Parameter	Test conditions	Min.	Typ.	Max.	Unit
$V_{(BR)DSS}$	Drain-source breakdown voltage	$V_{GS} = 0\text{ V}, I_D = 1\text{ mA}$	40			V
I_{DSS}	Zero gate voltage drain current	$V_{DS} = 40\text{ V}, V_{GS} = 0\text{ V}$			1	μA
		$V_{DS} = 40\text{ V}, V_{GS} = 0\text{ V}, T_J = 125\text{ °C}^{(1)}$			100	
I_{GSS}	Gate-body leakage current	$V_{GS} = 20\text{ V}, V_{DS} = 0\text{ V}$			100	nA
$V_{GS(th)}$	Gate threshold voltage	$V_{DS} = V_{GS}, I_D = 250\text{ }\mu\text{A}$	2		4	V
$R_{DS(on)}$	Static drain-source on-resistance	$V_{GS} = 10\text{ V}, I_D = 60\text{ A}$		0.65	0.85	m Ω

1. Specified by design and evaluated by characterization, not tested in production.

Table 4. Dynamic

Symbol	Parameter	Test conditions	Min.	Typ.	Max.	Unit
$C_{iss}^{(1)}$	Input capacitance	$V_{DS} = 25\text{ V}, f = 1\text{ MHz}, V_{GS} = 0\text{ V}$	-	6600	-	pF
$C_{oss}^{(1)}$	Output capacitance		-	1970	-	pF
$C_{rss}^{(1)}$	Reverse transfer capacitance		-	40	-	pF
$Q_g^{(1)}$	Total gate charge	$V_{DD} = 20\text{ V}, I_D = 120\text{ A}, V_{GS} = 0\text{ to }10\text{ V}$	-	80	-	nC
$Q_{gs}^{(1)}$	Gate-source charge		-	37	-	nC
$Q_{gd}^{(1)}$	Gate-drain charge		-	8	-	nC

1. Specified by design and evaluated by characterization, not tested in production.

Table 5. Switching times

Symbol	Parameter	Test conditions	Min.	Typ.	Max.	Unit
$t_{d(on)}^{(1)}$	Turn-on delay time	$V_{DD} = 20\text{ V}, I_D = 60\text{ A},$ $R_G = 4.7\text{ }\Omega, V_{GS} = 10\text{ V}$	-	24.5	-	ns
$t_r^{(1)}$	Rise time		-	9.5	-	ns
$t_{d(off)}^{(1)}$	Turn-off delay time		-	42.5	-	ns
$t_f^{(1)}$	Fall time		-	10.5	-	ns

1. Specified by design and evaluated by characterization, not tested in production.

Table 6. Source-drain diode

Symbol	Parameter	Test conditions	Min.	Typ.	Max.	Unit
$I_{SD}^{(1)(2)}$	Forward on current (continuous)	$T_C = 25\text{ °C}$	-		135	A
V_{SD}	Forward on voltage	$I_{SD} = 60\text{ A}, V_{GS} = 0\text{ V}$	-		1.1	V
$t_{rr}^{(1)}$	Reverse recovery time	$I_D = 60\text{ A}, di/dt = 100\text{ A}/\mu\text{s}, V_{DD} = 32\text{ V}$	-	63		ns
$Q_{rr}^{(1)}$	Reverse recovery charge		-	80		nC
$I_{RRM}^{(1)}$	Reverse recovery current		-	2.6		A

1. Specified by design and evaluated by characterization, not tested in production.
2. This is the theoretical current value only related to the silicon.

2.1 Electrical characteristics (curves)

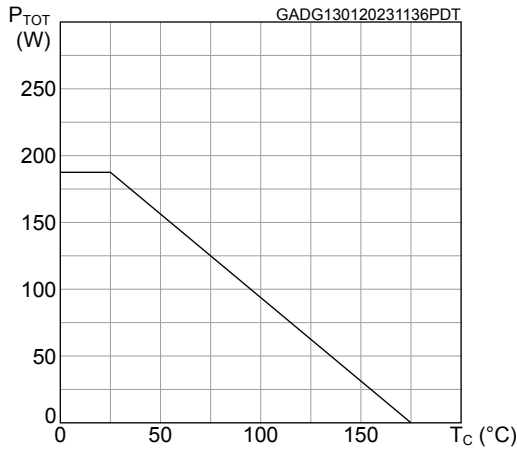
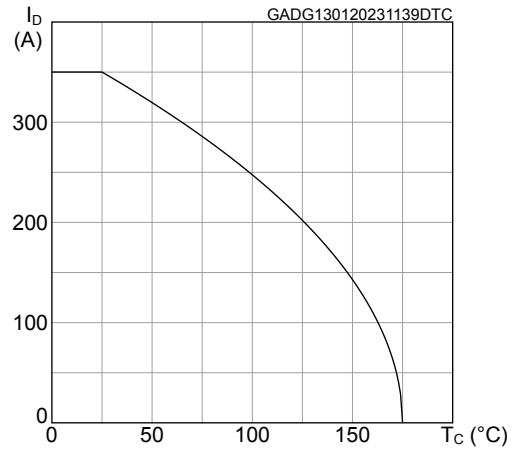
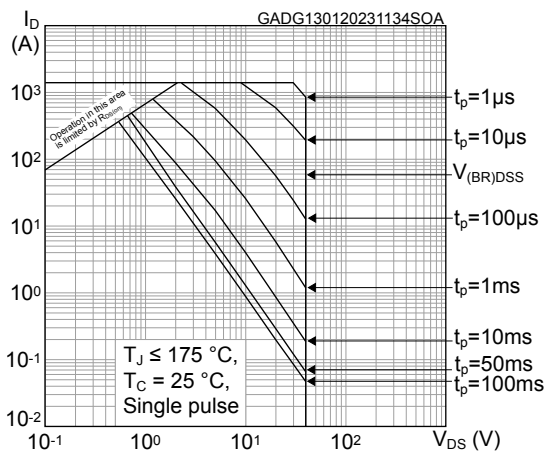
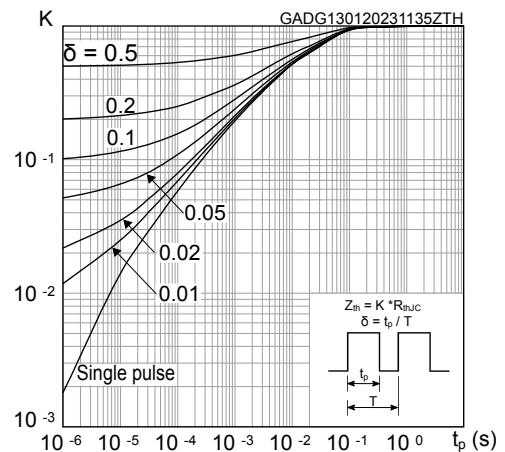
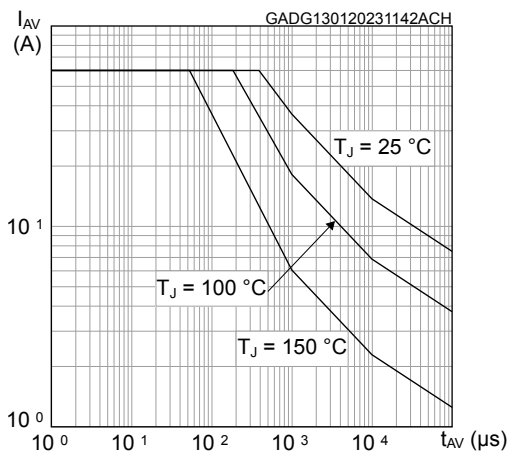
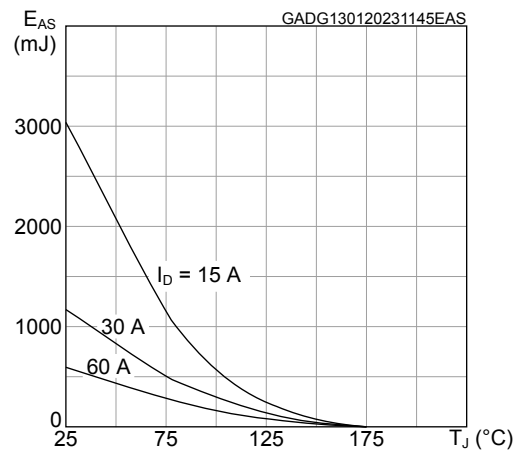
Figure 1. Total power dissipation

Figure 2. Drain current vs case temperature

Figure 3. Safe operating area

Figure 4. Normalized transient thermal impedance

Figure 5. Avalanche characteristics

Figure 6. Avalanche energy


Figure 7. Normalized on-resistance vs temperature

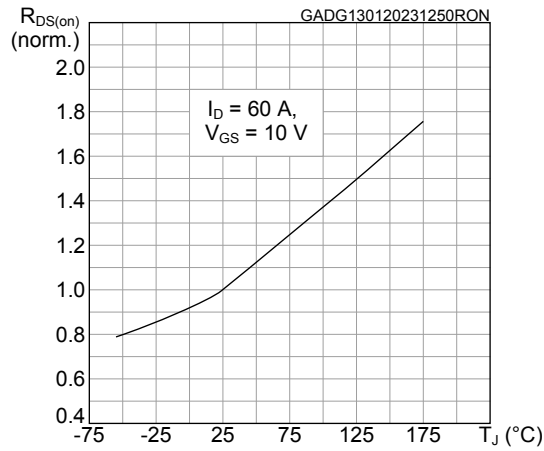


Figure 8. Normalized gate threshold voltage vs temperature

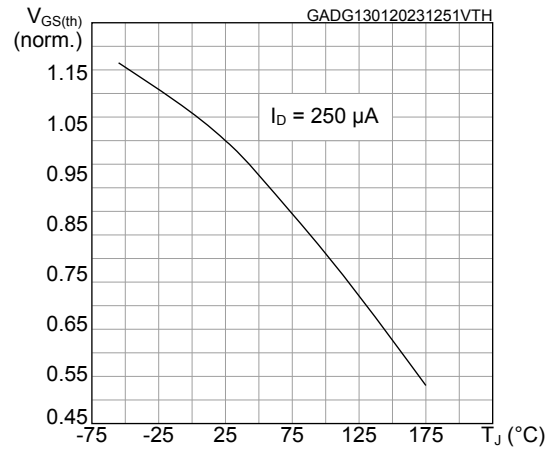


Figure 9. Typical reverse diode forward characteristics

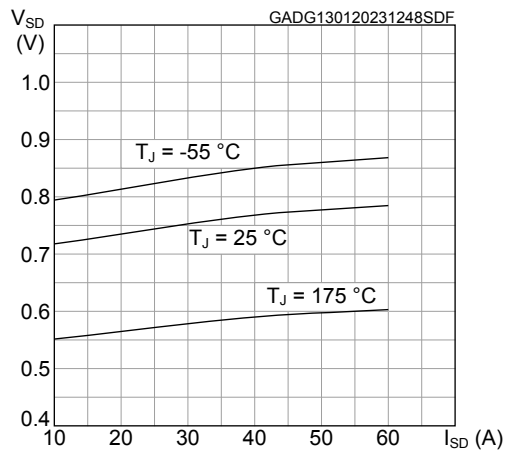


Figure 10. Normalized $V_{(BR)DSS}$ vs temperature

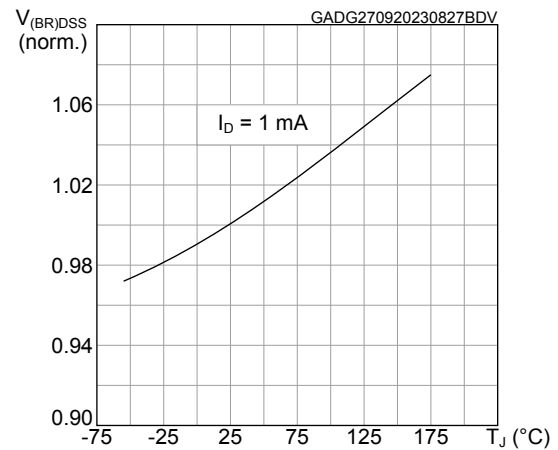


Figure 11. Typical output characteristics

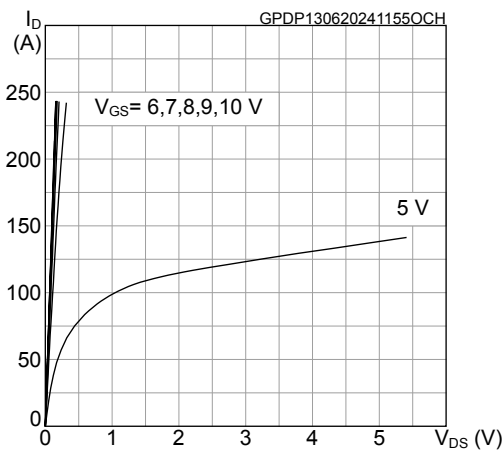


Figure 12. Typical transfer characteristics

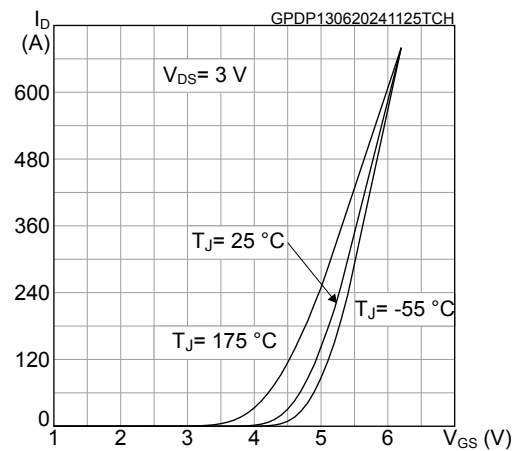


Figure 13. Typical drain-source on-resistance

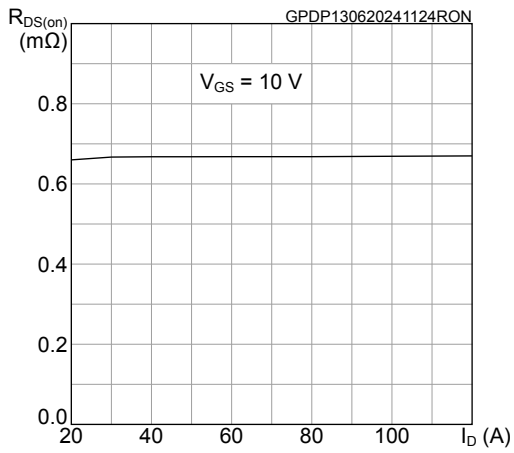


Figure 14. Typical on-resistance vs gate-source voltage

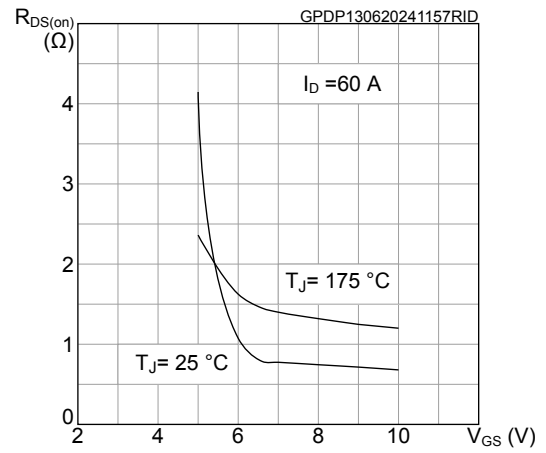


Figure 15. Typical gate charge characteristics

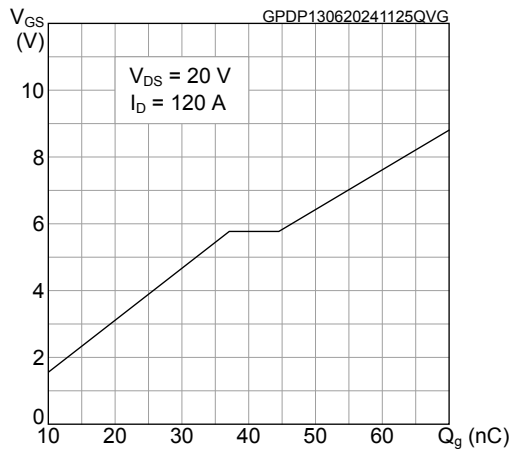
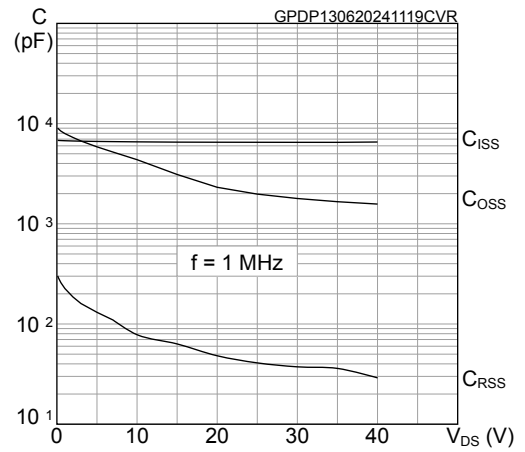


Figure 16. Typical capacitance characteristics

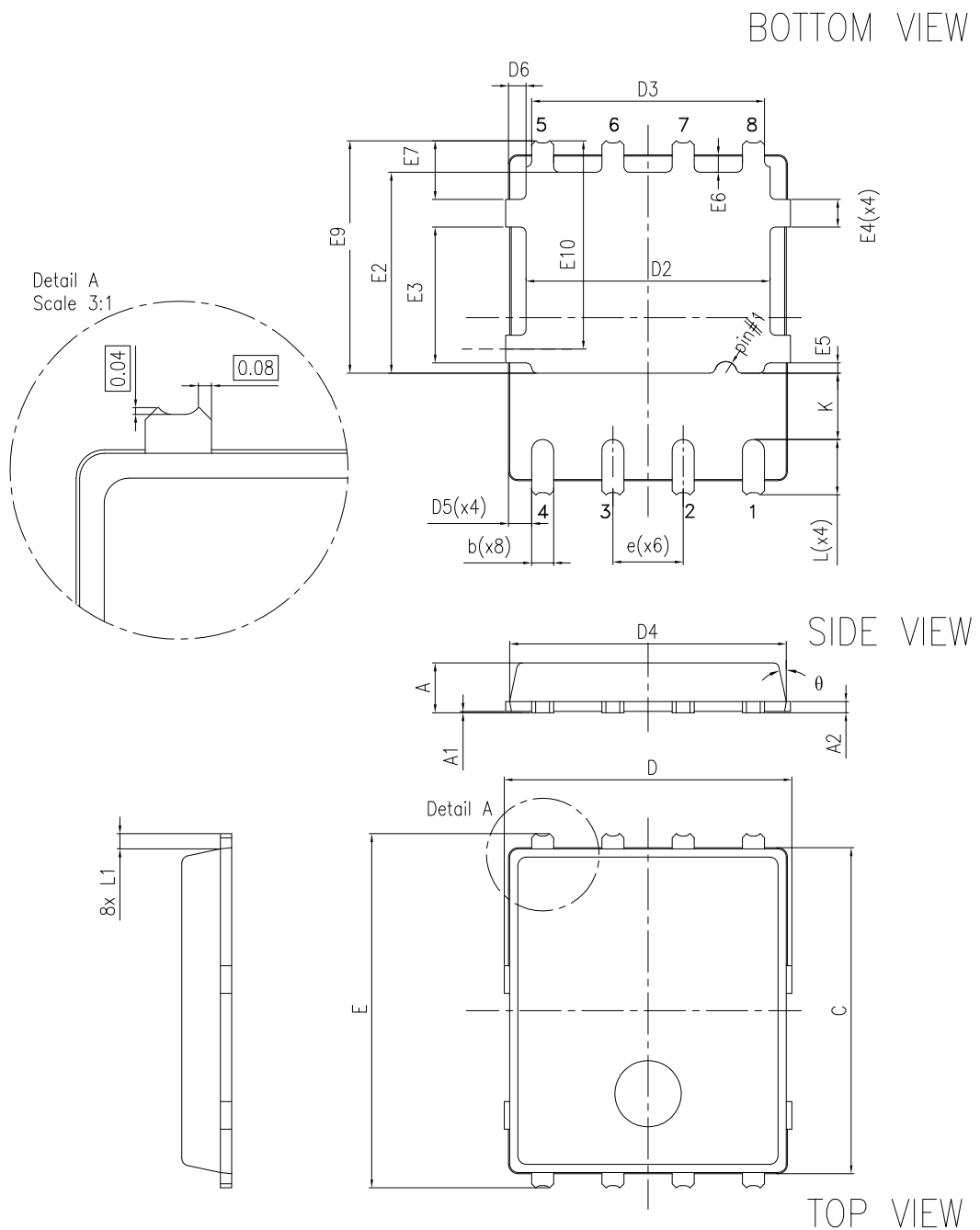


3 Package information

In order to meet environmental requirements, ST offers these devices in different grades of **ECOPACK** packages, depending on their level of environmental compliance. ECOPACK specifications, grade definitions and product status are available at: www.st.com. ECOPACK is an ST trademark.

3.1 PowerFLAT 5x6 WF type C package information

Figure 17. PowerFLAT 5x6 WF type C package outline

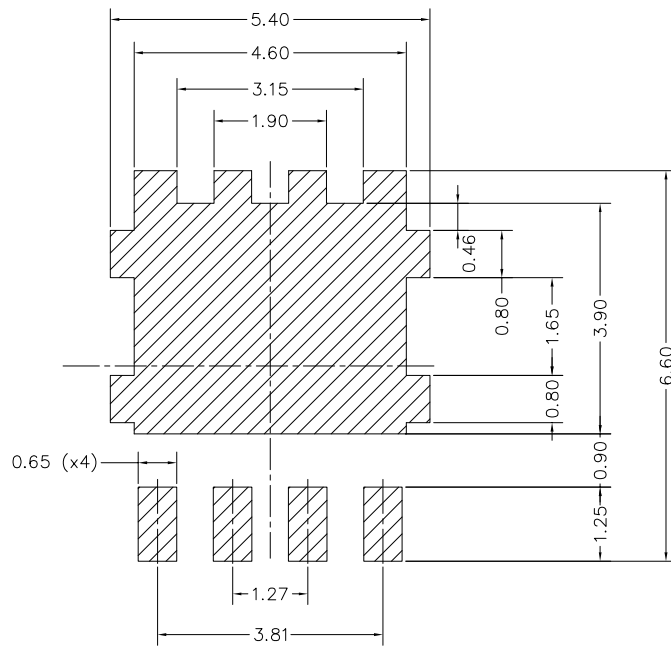


8231817_WF_typeC_r23

Table 7. PowerFLAT 5x6 WF type C mechanical data

Dim.	mm		
	Min.	Typ.	Max.
A	0.80		1.00
A1	0.00		0.05
A2		0.25	
b	0.30		0.50
C	5.80	6.00	6.10
D	5.00	5.20	5.40
D2	4.15		4.45
D3	4.05	4.20	4.35
D4	4.80	5.00	5.10
D5	0.25	0.40	0.55
D6	0.15	0.30	0.45
e		1.27	
E	6.20	6.40	6.60
E2	3.50		3.70
E3	2.35		2.55
E4	0.40		0.60
E5	0.08		0.28
E6	0.20	0.325	0.45
E7	0.85	1.00	1.15
E9	4.00	4.20	4.40
E10	3.55	3.70	3.85
K	1.05		1.35
L	0.90	1.00	1.10
L1	0.175	0.275	0.375
θ	0°		12°

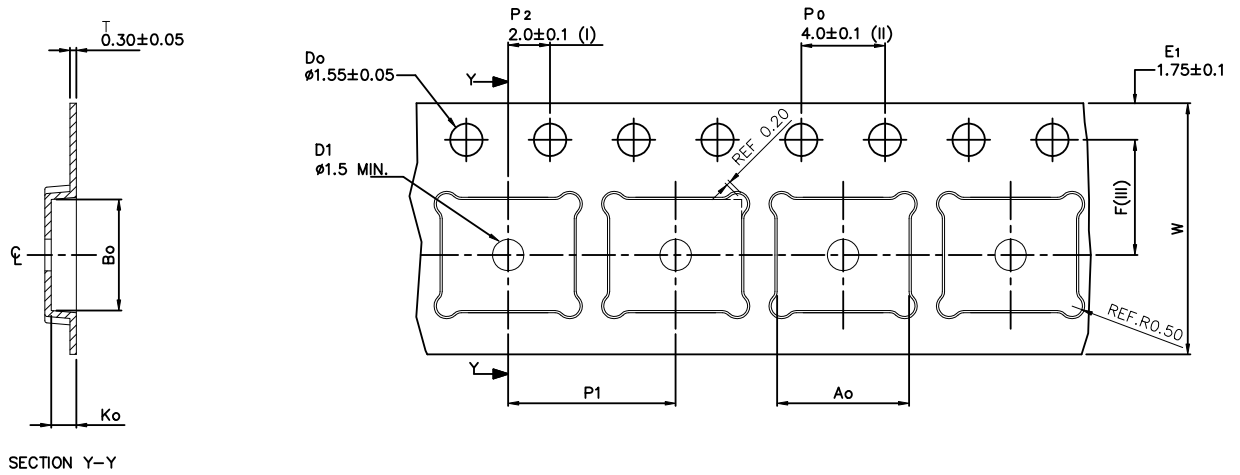
Figure 18. PowerFLAT 5x6 recommended footprint (dimensions are in mm)



8231817_FOOTPRINT_rev23

3.2 PowerFLAT 5x6 packing information

Figure 19. PowerFLAT 5x6 tape (dimensions are in mm)



Ao	6.30 +/- 0.1
Bo	5.30 +/- 0.1
Ko	1.20 +/- 0.1
F	5.50 +/- 0.1
P1	8.00 +/- 0.1
W	12.00 +/- 0.3

(I) Measured from centreline of sprocket hole to centreline of pocket.

(II) Cumulative tolerance of 10 sprocket holes is ± 0.20 .

(III) Measured from centreline of sprocket hole to centreline of pocket

Base and bulk quantity 3000 pcs
All dimensions are in millimeters

8234350_Tape_rev_C

Figure 20. PowerFLAT 5x6 package orientation in carrier tape

Pin 1 identification

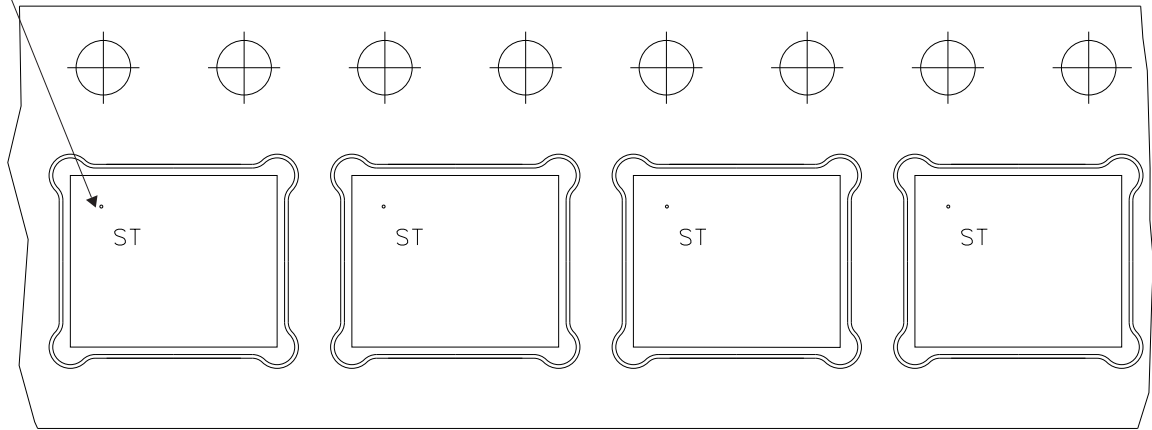
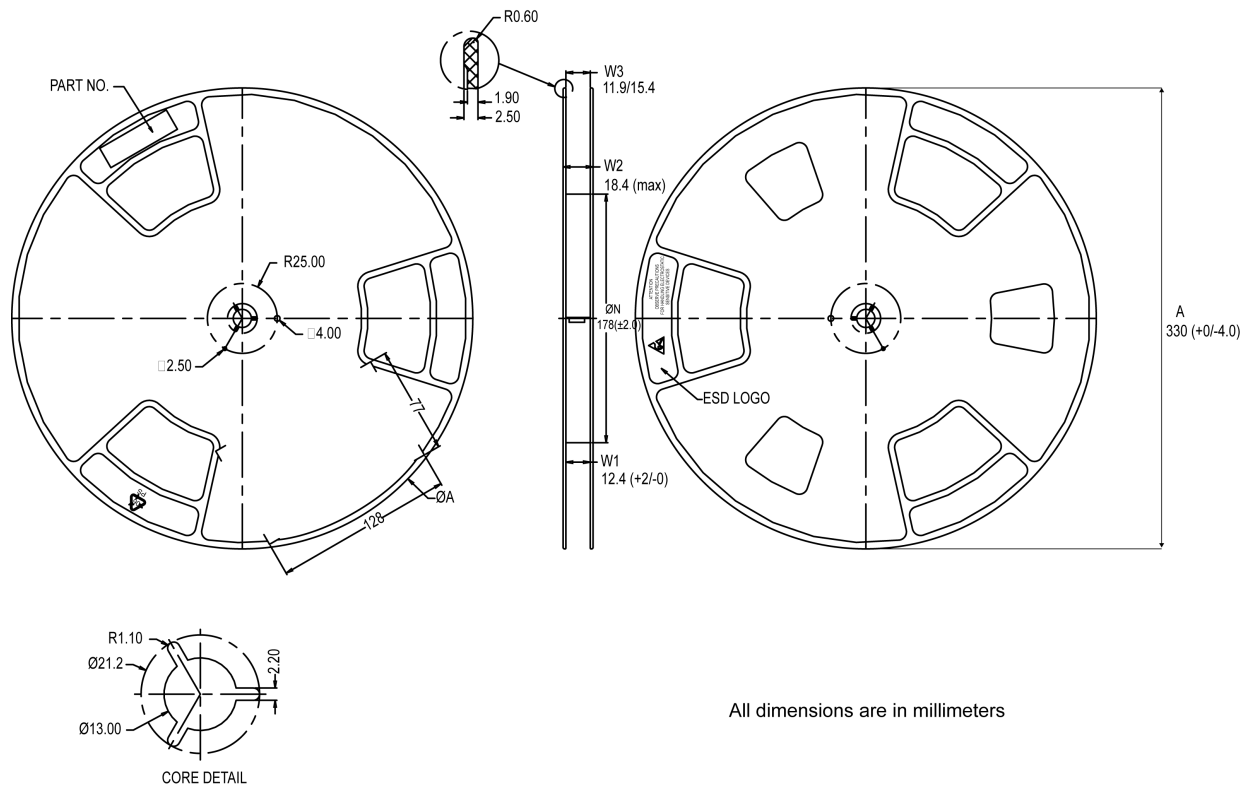


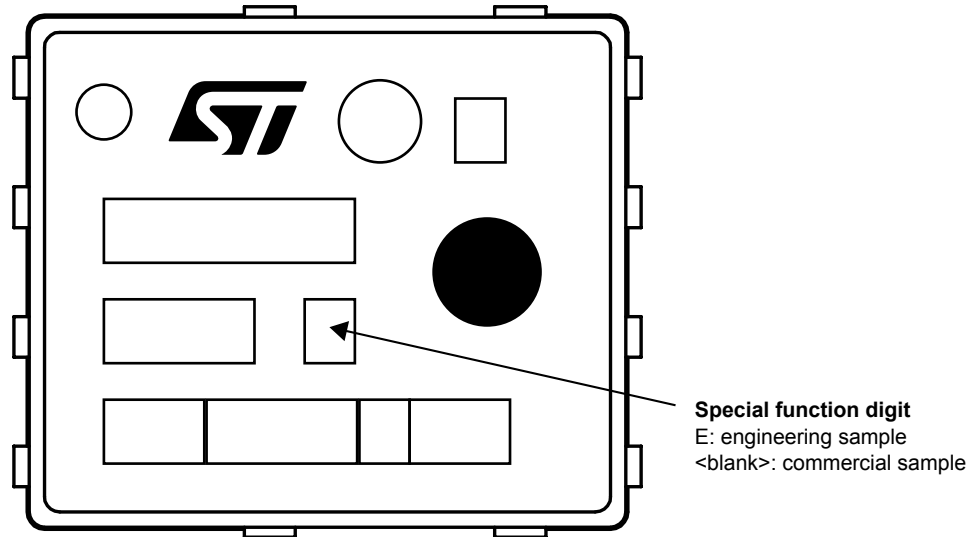
Figure 21. PowerFLAT 5x6 reel



8234350_Reel_rev_C

3.3 PowerFLAT 5x6 marking information

Figure 22. PowerFLAT 5x6 marking information



Note: *Engineering Samples: these samples can be clearly identified by a dedicated special symbol in the marking of each unit. These samples are intended to be used for electrical compatibility evaluation only; usage for any other purpose may be agreed only upon written authorization by ST. ST is not liable for any customer usage in production and/or in reliability qualification trials.*

Commercial Samples: fully qualified parts from ST standard production with no usage restrictions.

Revision history

Table 8. Document revision history

Date	Revision	Changes
02-Feb-2023	1	First release.
13-Jun-2024	2	<p>Modified <i>Applications and Description</i>.</p> <p>Modified <i>Table 1. Absolute maximum ratings (at $T_C = 25\text{ °C}$ unless otherwise specified)</i>, <i>Table 4. Dynamic</i>, <i>Table 5. Switching times</i> and <i>Table 6. Source-drain diode</i>.</p> <p>Added <i>Figure 11. Typical output characteristics</i>, <i>Figure 12. Typical transfer characteristics</i>, <i>Figure 13. Typical drain-source on-resistance</i>, <i>Figure 14. Typical on-resistance vs gate-source voltage</i>, <i>Figure 15. Typical gate charge characteristics</i> and <i>Figure 16. Typical capacitance characteristics</i>.</p> <p>Updated <i>Section 3.1: PowerFLAT 5x6 WF type C package information</i>.</p> <p>Minor text changes.</p>
01-Jul-2024	3	Modified <i>Figure 3. Safe operating area</i> .

Contents

1	Electrical ratings	2
2	Electrical characteristics	3
2.1	Electrical characteristics (curves)	5
3	Package information	8
3.1	PowerFLAT 5x6 WF type C package information	8
3.2	PowerFLAT 5x6 packing information	10
3.3	PowerFLAT 5x6 marking information	12
	Revision history	13

IMPORTANT NOTICE – READ CAREFULLY

STMicroelectronics NV and its subsidiaries (“ST”) reserve the right to make changes, corrections, enhancements, modifications, and improvements to ST products and/or to this document at any time without notice. Purchasers should obtain the latest relevant information on ST products before placing orders. ST products are sold pursuant to ST’s terms and conditions of sale in place at the time of order acknowledgment.

Purchasers are solely responsible for the choice, selection, and use of ST products and ST assumes no liability for application assistance or the design of purchasers’ products.

No license, express or implied, to any intellectual property right is granted by ST herein.

Resale of ST products with provisions different from the information set forth herein shall void any warranty granted by ST for such product.

ST and the ST logo are trademarks of ST. For additional information about ST trademarks, refer to www.st.com/trademarks. All other product or service names are the property of their respective owners.

Information in this document supersedes and replaces information previously supplied in any prior versions of this document.

© 2024 STMicroelectronics – All rights reserved