



STM32WB05xZ ultra-low power wireless 32-bit MCU Arm[®]-based Cortex[®]-M0+ with Bluetooth[®] Low Energy and 2.4 GHz radio solution

Introduction

This reference manual provides complete information on how to use the STM32WB05xZ microcontroller memory and peripherals.

The STM32WB05xZ is a powerful and ultra-low power 2.4 GHz RF transceiver with a Cortex[®]-M0+ microcontroller that can operate up to 64 MHz.

The STM32WB05xZ is suitable for the implementation of applications compliant with Bluetooth[®] Low Energy SIG specification.

The STM32WB05xZ also supports the angle of arrival (AoA) and angle of departure (AoD) Bluetooth[®] Low Energy direction-finding features by managing:

- The constant tone extension (CTE) inside a packet
- The antenna switching mechanism for both AoA and AoD

Refer to the related device datasheet for detailed information.

The STM32WB05xZ microcontroller includes ST state-of-the-art patented technology.

Related documents

Available from STMicroelectronics web site www.st.com:

- STM32WB05xZ datasheet (DS14591)
- STM32WB05xZ errata sheet (ES0631).

For information on the Cortex[®]-M0+ core, refer to the corresponding Technical Reference Manuals, available from the www.arm.com website. For information on Bluetooth[®] refer to www.bluetooth.com.

1 Documentation conventions

1.1 General information

For information on the Arm[®] Cortex[®]-M0+ core, refer to the Cortex[®]-M0+ technical reference manual, available from the www.arm.com website.

For information on Bluetooth[®] refer to www.bluetooth.com website.

Note: Arm is a registered trademark of Arm Limited (or its subsidiaries) in the US and/or elsewhere.



1.2 List of abbreviations for registers

The following abbreviations are used in register descriptions:

Table 1. List of abbreviations for registers

| | |
|---------------------------------------|---|
| read/write (rw or R/W) | Software can read and write to these bits |
| read-only (r or R) | Software can only read these bits |
| write-only (w or W) | Software can only write to this bit. Reading the bit returns the reset value |
| read/write-once (RWOnce) | Software can read these bits but write is only allowed once |
| read/clear (rc_w1 or RWC1) | Software can read as well as clear this bit by writing 1. Writing '0' has no effect on the bit value |
| read/clear (rc_w0 or RWC0) | Software can read as well as clear this bit by writing 0. Writing '1' has no effect on the bit value |
| read/clear by read (rc_r or RC) | Software can read this bit. Reading this bit automatically clears it to '0'. Writing '0' has no effect on the bit value |
| read/set (rs or RWS1) | Software can read as well as set this bit. Writing '0' has no effect on the bit value |
| read-only write trigger (rt_w or RWH) | Software can read this bit. Writing '0' or '1' triggers an event but has no effect on the bit value |
| toggle (t or RWT1) | Software can only toggle this bit by writing '1'. Writing '0' has no effect |
| Reserved (Res.) | Reserved bit, must be kept at reset value |

1.3 Glossary

This section gives a brief definition of the abbreviations used in this document:

The SoC integrates the SWD debug port (SWD-DP) which provides a 2-pin (clock and data) interface based on the serial wire debug (SWD) protocol.

- Word: data/instruction of 32-bit length
- Half word: data/instruction of 16-bit length
- Byte: data of 8-bit length
- Double word: data of 64-bit length
- AHB: advanced high-performance bus
- APB: advanced peripheral bus
- CPU: refers to the Cortex[®]-M0+core

1.4 Availability of peripherals

For availability of peripherals and their number across all sales types, refer to the particular device datasheet.

1.5 Acronyms

Table 2. Acronyms

| Acronym | Description |
|--------------|--|
| ADC | Analog to digital converter |
| AES | Advanced encryption standard hardware accelerator |
| AGC | Automatic gain control |
| AoA | Angle of arrival |
| AoD | Angle of departure |
| AHB | Advanced high-performance bus |
| APB | Advanced peripheral bus |
| Bluetooth LE | Bluetooth Low Energy (Bluetooth standard) |
| BOR | Brown-out reset |
| BPU | Breakpoint unit (ARM debug component) |
| CPU | Central processor unit |
| CRC | Cyclic redundancy check |
| CTE | Constant tone extension |
| CTI | Cross trigger interface (ARM debug component) |
| DBG | DeBuG |
| DMA | Direct memory access |
| DMAMUX | Direct memory access multiplexer |
| DWT | Data watchpoint and trace (ARM debug component) |
| FSM | Finite state machine |
| GPIO | General purpose input output |
| HSE | High speed external clock oscillator |
| HSI | High speed internal clock oscillator |
| HW | Hardware |
| I2C | Inter integrated circuit (communication standard) |
| I2S | Inter integrated (communication standard) |
| IRQ | Interrupt request |
| ITM | Instrumentation trace macrocell (ARM debug component) |
| IWDG | Independent watchdoG |
| JTAG | Joint test access group (test interface standard) |
| LDO | Low-dropoutput |
| LP | Low power |
| LPUART | Universal asynchronous receiver transmitter (communication standard) |
| LSB | Least significant byte |
| LSE | Low speed external clock oscillator |
| LSI | Low speed internal clock oscillator |

| Acronym | Description |
|------------------|--|
| MCU | Micro controller unit |
| MPU | Memory protection unit |
| MR_BLE | Radio sub-system |
| MSB | Most significant byte |
| NVIC | Nested vector interrupt controller |
| OBL | Option byte loading |
| OSC | Oscillator |
| OTP | One time programmable |
| PA | Power amplifier |
| PDR | Power-down reset |
| PDM | Pulse density modulation |
| PKA | Public key accelerator |
| PLL | Phase locked loop |
| POR | Power-on reset |
| PVD | Programmable voltage detector |
| PVM | Peripheral voltage monitoring |
| PWR | Power controller |
| RC | Resistor capacitor oscillator |
| RCC | Reset and clock controller |
| RF | Radio frequency |
| RF2G4 | Analog radio block used with the MR_BLE IP |
| RNG | True random number Generator |
| ROM | Read-only memory |
| RRM | Radio resource manager |
| RTC | Real-time clock |
| Rx | Reception |
| SMPS | Switch mode power supply |
| SoC | System-on-chip |
| SPI | Serial peripheral interface (communication standard) |
| SRAM | Static random access memory |
| SW | Software |
| SWD | Single-wire debug |
| SWJ-DP | Single-wire joint test access group - debug port (ARM debug component) |
| SYSCFG | System configuration |
| TIM | Timer |
| Tx | Transmission |
| UDRA | Unified direct register access (part of the RRM block) |
| USART | Universal synchronous asynchronous receiver transmitter (communication standard) |
| V _{bat} | Battery voltage. Voltage used for the part of the design that is always on |
| VCO | Voltage controlled oscillator |
| VREF | Voltage reference |

| Acronym | Description |
|---------|--|
| WFI | Wait for instruction (ARM instruction entering low-power mode) |
| WKUP | Wakeup |
| WRP | Write protection |
| WWDG | Window watchdog |

Note: For information about MR_BLE/Radio sub-system refer to [Section 25: Radio IP](#).

2.1.1 S0: CPU (Cortex®-M0+) S-bus

This bus connects the system bus of the CPU core to the BusMatrix. This bus is used by the core to fetch instructions, for literal load and debug access, and access data located in a peripheral or SRAM area. The targets of this bus are all the possible peripherals (the internal Flash and SRAM memories, the AHB0, APB0, APB1 and APB2 peripherals).

2.1.2 S1: DMA-bus

This bus connects the AHB master interface of the DMA to the BusMatrix. The targets of this bus are the two banks of SRAM, the APB0 and APB1 peripheral.

2.1.3 S2: radio system-bus

This bus connects the AHB master interface of the radio system to the BusMatrix. The targets of this bus are the two banks of SRAM and the APB2 peripherals (internal APB blocks of the MR_BLE/Radio sub-system IP).

2.1.4 BusMatrix

The BusMatrix manages the access arbitration between masters. The arbitration uses a "Round Robin" algorithm. The BusMatrix is composed of three masters (CPU, DMA1-bus and radio system-bus) and seven slaves (FLASH, SRAM0, SRAM1, APB0 and APB1, AHB0 and AHB0).

AHB/APB bridges

The two bridges AHB to APB0 and AHB to APB1 provide full synchronous connections between the AHB and the two APB buses.

The bridge AHB to APB2 provides synchronous connections between the AHB and the APB bus. Two blocks are added to the AHB/APB path to manage potential prescaled MR_BLE frequency versus the system frequency:

- AHB up converter is used for the MR_BLE AHB master transactions towards the SRAM
- AHB down converter is used for the CPU AHB master transactions towards the MR_BLE APB registers.

Refer to [Section 2.2.2: Memory map and register boundary addresses](#) for the address mapping of the peripherals connected to this bridge.

After each device reset, all peripheral clocks are disabled (except for the SRAM and Flash memory interface). Before using a peripheral the user has to enable its clock in the RCC_AHBxENR and the RCC_APBxENR registers.

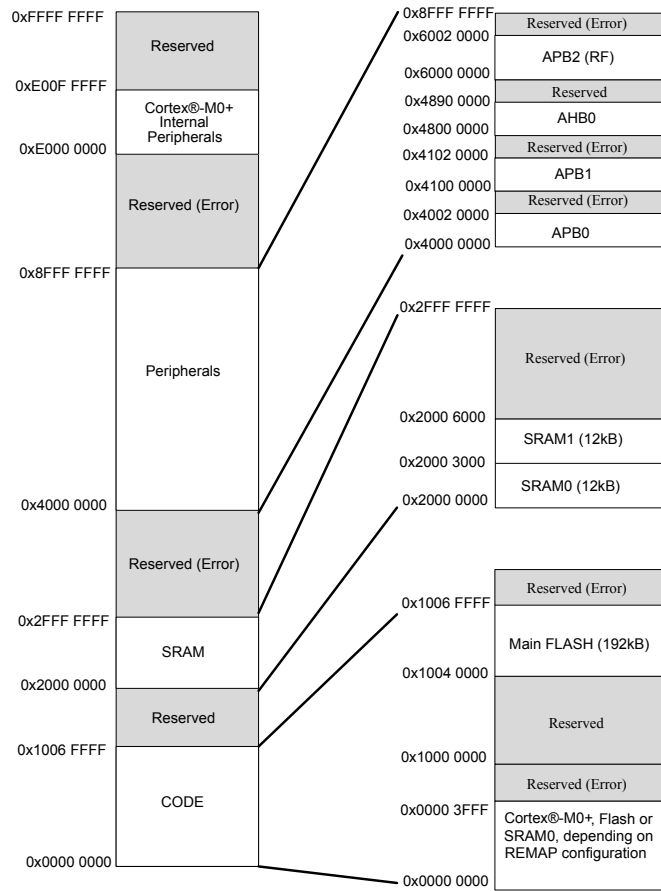
Note: When a 16- or 8-bit access is performed on an APB register, the access is transformed into a 32-bit access: the bridge duplicates the 16- or 8-bit data to feed the 32-bit vector.

2.2 Memory organization

2.2.1 Introduction

Program memory, data memory and registers are organized within the same linear 4-Gbyte address space.

These bytes are coded in memory in Little Endian format. The lowest numbered byte in a word is considered the word least significant byte and the highest numbered byte the most significant.

Figure 2. Memory map


All the memory areas that are not allocated to on-chip memories and peripherals are considered “Reserved”. For a detailed mapping of available memory and register areas, refer to [Section 2.2.2: Memory map and register boundary addresses](#) and to each peripheral register map section.

2.2.2 Memory map and register boundary addresses

Table 3. STM32WB05xZ memory map and peripheral register boundary addresses gives the boundary addresses of the peripherals available in the device.

Table 3. STM32WB05xZ memory map and peripheral register boundary addresses

| Bus | Boundary address | Actual size (bytes) | Peripheral | Peripheral register map |
|------|---------------------------|---------------------|------------------------|--|
| Misc | 0xE010 0800 - 0xFFFF FFFF | 255 M | Reserved | - |
| | 0xE000 0000 - 0xE00F FFFF | 1 M | Private peripheral bus | Cortex-M0+ registers (interrupt controller, SysTick, etc.) |
| APB2 | 0x6000 1800 - 0x6000 1BFF | 1 K | WAKEUP | Wakeup registers of the MR_BLE |
| | 0x6000 1500 - 0x6000 17FF | 1 K | Radio registers | Radio registers through APB direct access |
| | 0x6000 1400 - 0x6000 14FF | | RRM | RRM registers of the MR_BLE |
| | 0x6000 1000 - 0x6000 13FF | 1 K | RADIO_CTRL | Radio controller registers of the MR_BLE |
| | 0x6000 0000 - 0x6000 00FF | 256 | BLE | BLE link layer registers of the MR_BLE |
| AHB0 | 0x4880 0000 - 0x4880 03FF | 1 K | DMAMUX | See Section 11.5.2: DMAMUX register map |
| | 0x4870 0000 - 0x4870 00FF | 256 | DMA slave | See Section 10.4.7: DMA register map |
| | 0x4860 0000 - 0x4860 0FFC | 1 K | RNG | See Section 14.2: RNG registers |
| | 0x4850 0000 - 0x4850 03FF | 1 K | PWRC | See Table 12. PWRC register map |
| | 0x4840 0000 - 0x4840 03FF | 1 K | RCC | See Section 6.6.17: RCC register map |
| | 0x4830 0400 - 0x4830 13FF | 4 K | PKA RAM | See Section 13.6.4: PKA RAM memory |
| | 0x4830 0000 - 0x4830 03FF | 1 K | PKA slave | |
| | 0x4820 0000 - 0x4820 03FF | 1 K | CRC | See Section 15.4.6: CRC register map |
| | 0x4810 0000 - 0x4810 03FF | 1 K | GPIOB | See Table 18. GPIO register map and reset values |
| | 0x4800 0000 - 0x4800 03FF | 1 K | GPIOA | See Table 18. GPIO register map and reset values |
| APB1 | 0x4100 7000 - 0x4100 73FF | 1 K | SPI3 | See Section 24.9.10: SPI/I2S register map |
| | 0x4100 6000 - 0x4100 60FF | 256 | ADC | See Section 15.4.6: CRC register map |
| | 0x4100 5000 - 0x4100 53FF | 1 K | LPUART | See Section 23.5.11: LPUART register map |
| | 0x4100 4000 - 0x4100 43FF | 1 K | USART | See Section 22.7.13: USART register map |
| | 0x4100 3000 - 0x4100 33FF | 1 K | Reserved | - |
| | 0x4100 2000 - 0x4100 23FF | 1 K | Reserved | - |
| | 0x4100 1000 - 0x4100 13FF | 1 K | Reserved | - |
| | 0x4100 0000 - 0x4100 03FF | 1 K | I2C1 | See Section 21.6.12: I2C register map |
| | 0x4000 6000 - 0x4000 63FF | 1 K | TIM17 | See Section 17.4.19: TIM16/17 register map |
| | 0x4000 5000 - 0x4000 53FF | 1 K | TIM16 | |
| APB0 | 0x4000 4000 - 0x4000 43FF | 1 K | RTC | See Section 19.6.14: RTC register map |
| | 0x4000 3000 - 0x4000 33FF | 1 K | IWDG | See Section 20.4.6: IWDG register map |
| | 0x4000 2000 - 0x4000 23FF | 1 K | TIM2 | See Section 16.4.21: TIM2 register map |
| | 0x4000 1000 - 0x4000 1FFF | 4 K | FLASH_CTRL | See Section 9: Embedded Flash memory |
| | 0x4000 0000 - 0x4000 003F | 64 | SYSTEM_CTRL | See Table 19. SYSCFG register map and reset values |
| SRAM | 0x2000 C000 - 0x2000 FFFF | 16 K | Reserved | - |
| | 0x2000 8000 - 0x2000 BFFF | 16 K | Reserved | - |
| | 0x2000 3000 - 0x2000 5FFF | 12 K | SRAM1 | - |
| | 0x2000 0018-0x2000 2FFF | 12264 | SRAM0 | Start of user RAM |

| Bus | Boundary address | Actual size (bytes) | Peripheral | Peripheral register map |
|---------------------|---------------------------|---------------------|---------------|---|
| SRAM | 0x2000 0000-0x2000 0017 | 24 | SRAM0 | Reserved. See Table 3. STM32WB05xZ memory map and peripheral register boundary addresses. |
| Flash | 0x1004 0000 - 0x1006 FFFF | 192 K | Main Flash | - |
| OTP | 0x1000 1800 - 0x1000 1BFF | 1 K | OTP area | - |
| Boot ⁽¹⁾ | 0x0000 0000 - 0x0000 3FFF | 16 K | CPU boot area | Mirroring of Flash or SRAM0 |

1. This area is a mirroring area. The CPU accesses are redirected to other memory map depending on REMAP bits located in the Flash controller CONFIG register. See Table 5. Address remapping depending on REMAP bit for remapping detail.

Table 4. SRAM0 reserved locations

| Address | Actual size (bytes) | Identifier | Description |
|-------------|---------------------------|---------------------|---|
| 0x2000 0000 | 4 | Reserved1 | Reserved for future use. |
| 0x2000 0004 | 4 | Reserved2 | Reserved for future use. |
| 0x2000 0008 | 4 | SavedMSP | Used by lpm module. Used to save context information pointer. |
| 0x2000 000C | 4 | WakeupFromSleepFlag | Used by the lpm module. Indicate whether the system has been woken up from Deepstop. |
| 0x2000 0010 | 4 | ResetReason | Copy of last reset reason from register RCC_CSR. The register is read, copied to this location by the boot-loader code and finally cleared. As a consequence, software reading the register always reads 0. Users should read this location to know the last reset reason. |
| 0x2000 0014 | 4 | AppBase | Relocation of application base. The boot-loader jumps to the location pointed to by this value when a wakeup from Deepstop occurs. |
| 0x2000 00C0 | CFG_NUM_RADIO_TASKS*92+28 | Blue Core Config | Only when radio is used and radio clock is activated. <i>Note:</i> CFG_NUM_RADIO_TASKS is the number of simultaneous radio tasks selected by the application (radio controller supports up to 128 simultaneous radio tasks, but actual usable max value depends on the available RAM). |

Note: SRAM0 memory locations from 0x2000 0000 to 0x2000 0017 are reserved for system use and users are not allowed to use these locations for their application.

Table 5. Address remapping depending on REMAP bit

| REMAP | Memory mapped |
|-------|---------------|
| 0 | Main flash |
| 1 | SRAM0 |

2.3 Arm[®] Cortex[®]-M0+

The Arm[®] Cortex[®]-M0+ processor was developed to provide a low-cost platform that meets the needs of MCU implementation, with a reduced pin count and low-power consumption, while delivering outstanding computational performance and an advanced response to interrupts.

The embedded Cortex-M0+ embeds:

- four breakpoints
- two watchpoints
- an MPU (memory protection unit) providing eight unified protection regions
- a SysTick running only with the system clock (external clock option not supported).

2.3.1 CPU memory remap

Following a CPU boot, the application software can modify the memory map at address 0x0000_0000. This modification is performed by programming the REMAP bit in the flash controller (see [Table 5. Address remapping depending on REMAP bit](#)).

The following memory can be remapped:

- Main flash memory
- SRAM0 memory

Embedded bootloader

ST provides a bootloader executed after each CPU reboot. This bootloader has its own documentation.

Note: The STM32WB05xZ latches the PA8 / PA9 / PA10 / PA11 / PB12 / PB13 / PB14 / PB15 pads value at POR. The information is available in the PWRC_SR2 register (see [Section 5.7.6: Status register 2 \(PWRC_SR2\)](#)). One of those eight I/Os can be used by the bootloader as boot indication between a normal boot or a boot on the serial interface.

2.3.2 Interrupts

Interrupts are handled by the Cortex-M0+ nested vector interrupt controller (NVIC). The NVIC controls specific Cortex-M0+ interrupts (address 0x00 to 0x3C) as well as 32 user interrupts (address 0x40 to 0xBC). In the STM32WB05xZ, the user interrupts have been connected to the interrupt signals of the different peripherals (GPIO, Flash controller, timers, UART,...). These interrupts can be controlled using the ISER, ICER, ISPR and ICOR registers.

Vector table

On reset, the Cortex-M0+ vector table is fixed at address 0x0000_0000. The software may relocate the vector table address to a different memory location, in a range 0x0000_0000 to 0xFFFF_FF80 in multiples of 256 bytes through the vector table offset register (VTOR) located in the Cortex-M0+ registers area.

The interrupt mapping for the vector table of the STM32WB05xZ is described in [Table 6. Interrupt vectors](#).

Table 6. Interrupt vectors

| Position | Priority | Type of priority | Acronym | Description | Address offset |
|----------|----------|------------------|---------------------------|--|----------------------------|
| - | - | - | - | Initial main SP | 0x0000_0000 |
| - | -3 | Fixed | Reset | Reset_Handler | 0x0000_0004 |
| - | -2 | Fixed | NmiSR | NMI_Handler | 0x0000_0008 |
| - | -1 | Fixed | FaultISR | HardFault_Handler | 0x0000_000C |
| - | - | Reserved | Reserved | Reserved | 0x0000_000C - 0x0000_0038 |
| - | 6 | Settable | SysTick | System tick timer | 0x0000_003C |
| 0 | Init 0 | Settable | NVM | Non-volatile memory (Flash) controller | 0x0000_0040 |
| 1 | Init 0 | Settable | RCC | Reset and clock controller | 0x0000_0044 |
| 2 | Init 0 | Settable | BATTERY | PVD | 0x0000_0048 |
| 3 | Init 0 | Settable | I2C1 | I2C1 interrupt | 0x0000_004C |
| 4 | Init 0 | Settable | Reserved | Reserved | 0x0000_0050 |
| 5 | Init 0 | Settable | Reserved | Reserved | 0x0000_0054 |
| 6 | Init 0 | Settable | Reserved | Reserved | 0x0000_0058 |
| 7 | Init 0 | Settable | SPI3 | SPI3 interrupt | 0x0000_005C |
| 8 | Init 0 | Settable | USART | USART interrupt | 0x0000_0060 |
| 9 | Init 0 | Settable | LPUART | LPUART interrupt | 0x0000_0064 |
| 10 | Init 0 | Settable | TIM2 | TIM2 interrupt | 0x0000_0068 |
| 11 | Init 0 | Settable | RTC | RTC interrupt | 0x0000_006C |
| 12 | Init 0 | Settable | Reserved | Reserved | 0x0000_0070 |
| 12 | Init 0 | Settable | ADC | ADC interrupt | 0x0000_0070 |
| 13 | Init 0 | Settable | PKA | PKA interrupt | 0x0000_0074 |
| 14 | Init 0 | Settable | Reserved | Reserved | 0x0000_0078 |
| 15 | Init 0 | Settable | GPIOA | GPIOA interrupt | 0x0000_007C |
| 16 | Init 0 | Settable | GPIOB | GPIOB interrupt | 0x0000_0080 |
| 17 | Init 0 | Settable | DMA | DMA interrupt | 0x0000_0084 |
| 18 | Init 0 | Settable | BLE_TXRX ⁽¹⁾ | BLE end of transfer interrupt | 0x0000_0088 |
| 19 | Init 0 | Settable | Reserved ⁽¹⁾ | Reserved | 0x0000_008C |
| 20 | Init 0 | Settable | Reserved ⁽¹⁾ | Reserved | 0x0000_0090 |
| 21 | Init 0 | Settable | RADIO_CTRL ⁽¹⁾ | Radio control slow clock measurement interrupt | 0x0000_0094 |
| 22 | Init 0 | Settable | MR_BLE ⁽¹⁾ | RRM and radio FSM interrupt | 0x0000_0098 |
| 23 | Init 0 | Settable | CPU_WKUP ⁽¹⁾ | CPU wakeup interrupt | 0x0000_009C |
| 24 | Init 0 | Settable | BLE_WKUP ⁽¹⁾ | BLE wakeup interrupt | 0x0000_00A0 |
| 25 | Init 0 | Settable | BLE_SEQ | BLE RX/TX sequence interrupt | 0x0000_00A4 |
| 26 | Init 0 | Settable | TIM16 | TIM16 interrupt | 0x0000_00A8 |
| 27 | Init 0 | Settable | TIM17 | TIM17 interrupt | 0x0000_00AC |
| 28-31 | Init 0 | Settable | Reserved | Reserved | 0x0000_00B0 0x0000_00BC |

1. Some specific care is needed at SW level to clear the interrupt: see Warning for interrupt clearance when system clock is faster than MR_BLE clock.

Priority level is set to 0 after reset, each interrupt can be programmed with 4 higher priorities.

Interrupt activation sequence

Safely activating a peripheral interrupt requires the following steps:

- make sure the interrupt is disabled and cleared on the peripheral side (this prevents receiving an interrupt due to a previous event)
- clear pending requests for this interrupt on the Cortex-M0+ side using the NVIC ICPR register
- set the priority using the NVIC IPR0-IPR7 registers
- activate on the Cortex-M0+ side using the NVIC ISER register
- activate on the peripheral side.

Note that most peripherals require clearing interrupt requests on the peripheral side when handling interrupt service requests to prevent triggering continuous interrupts for the same event.

For more details on the Cortex-M0+ exception model, see “ARMv6-M Architecture Reference Manual”, §B1.5.

For more details on the Cortex-M0+ NVIC behavior and registers, see “ARMv6-M Architecture Reference Manual”, §B3.4.

3 AHB up/down converter

The BlueNRG-LPS device can support several system clock frequencies from 1 MHz to 64 MHz.

The MR_BLE/Radio sub-system IP does not need more than 32 MHz to achieve the processing of the radio transfers while the system (CPU, DMA, memories) may require higher performance for application purpose.

To avoid useless overconsumption, AHB up/down converter block has been added to introduce an adjustable divider by one, two or four on AHB and APB bus of the MR_BLE (linked to AHBRF / APB2 bridge) versus the system bus matrix frequency. This block allows dividing by one, two or four the system clock for the MR_BLE IP of the device.

When the system and the MR_BLE share the same frequency, the AHB up/down converter block only transfers the AHB signals from one clock domain to the other.

Note: The system clock must be at 16/32/64 MHz and always equal or faster than MR_BLE clock when radio is used (no other frequencies).

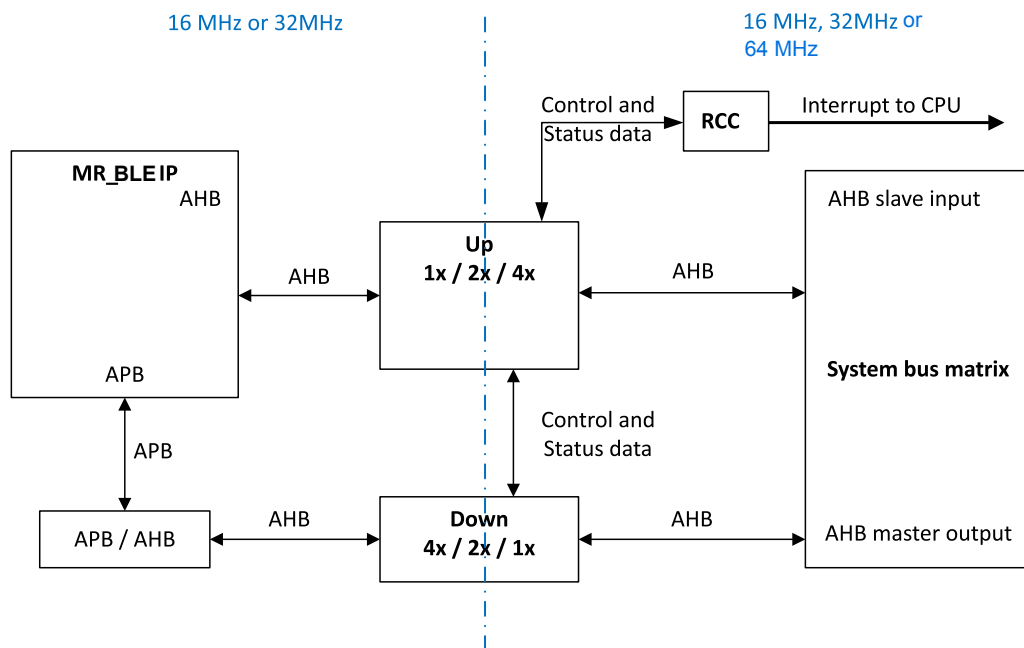
3.1 AHB up/down converter description

The AHB up/down converter role is to allow the STM32WB05xZ device to support a fast system clock (up to 64 MHz).

The AHBUPCONV block manages:

- proper on-the-fly (up-to-down and down-to-up) frequency switching by safely updating the ratio (one, two, four) between the system and the MR_BLE IP frequencies.
- AHB and APB data transfer between MR_BLE running at the same frequency or half or quarter of the frequency of the rest of the system (AHB and APB) that may run up to 32 MHz.

Figure 3. AHB up/down converter



The management of data transfer versus clock domain and possible clock switch request is done using state machines:

- one for the AHB master up converter
- one for the AHB slave down converter

When a CPU/system clock frequency switch is needed (activate or deactivate the divider by two between the system and the MR_BLE), the user must request the new system clock targeted frequency in the RCC_CSCMDR.REQUEST bit (see [Section 6.6.5: Clock switch command register \(RCC_CSCMDR\)](#) for details).

When receiving a new divider ratio to apply (from the RCC), the AHBUPCONV block:

- Informs the AHBDOWNCONV block (managing the APB transfer from the CPU to the MR_BLE APB registers)
- Checks the traffic on the AHB bus between MR_BLE and CPU:
 - if no transfer is on-going, it uses the HREADY signal on the bus to hold any potential transaction that could occur during the clock frequency switch

Note: *To respect the AHB lite protocol, the HREADY signal is fallen down only after the address phase of a new transfer, the new transfer phase data being stored internally in the converter.*

- If an AHB transfer is on-going, it waits until the current AHB transfer ends and then holds the AHB traffic as explained above.
- In parallel, the AHBDOWNCONV block does the same action to hold any new transfer on the slave path of the data path (CPU access to MR_BLE APB registers).
- Once the AHBUPCONV block has held its AHB line and has the confirmation from the AHBDOWNCONV, the other AHB2APB data path is also safely held; it allows the RCC block to change the system clock frequency to the requested one.
- When the new system clock frequency is stable, the RCC informs the AHBUPCONV it is done. Then:
 - the AHBUPCONV releases the AHB transfers
 - the AHBUPCONV informs the AHBDOWNCONV that it can also release the AHB/APB transfers.

4 I/O operating modes

The STM32WB05xZ device proposes up to 20 programmable I/Os (on all packages).

Each I/O can be programmed in several modes:

- Input mode
- General purpose output mode
- Alternate function
- Analog mode (when available [Table 9. I/O analog feature mapping](#))

The STM32WB05xZ device supports six alternate modes called AF_x (x = 0 to 4 and 6). The configuration of each I/O for those alternate modes is detailed in [Table 7. GPIO alternate options AF0, AF1 and AF2 modes](#) and [Table 8. GPIOs AF3, AF4 and AF6 modes](#) .

Note: [I/Os features presented in Table 7. GPIO alternate options AF0, AF1 and AF2 modes](#) and [Table 8. GPIOs AF3, AF4 and AF6 modes](#) are valid only when the associated I/O is programmed as alternate function.

Refer to [Section 7: General-purpose I/O \(GPIO\)](#) for more details on all configurations.

The number of I/Os available in the STM32WB05xZ device depends on the package:

- 20 I/Os in VFQFPN32
- 20 I/Os in WLCSP36

Type acronyms correspond to:

- I: input
- O: output
- I/O: input output
- OD: open drain

Table 7. GPIO alternate options AF0, AF1 and AF2 modes

| Pin name | AF0 mode | | AF1 mode | | AF2 mode | |
|---------------------------|----------|--------------|----------|-------------------|----------|-------------------|
| | Type | Signal | Type | Signal | Type | Signal |
| Port A | | | | | | |
| PA0⁽¹⁾ | I/OD | I2C1_SCL | I | USART_CTS | O | IR_OUT |
| PA1⁽¹⁾ | I/OD | I2C1_SDA | O | IR_OUT | I/OD | USART_TX |
| PA2 | I/O | DEBUG_SWDI0 | I/O | USART_CK | - | - |
| PA3 | I | DEBUG_SWCLK | O | USART_RTS_DE | - | - |
| PA8 | I/O | USART_RX | O | RTC_OUT | O | RADIO_RX_SEQUENCE |
| PA9 | I/O | USART_TX | - | - | O | RTC_OUT |
| PA10 | - | - | I | LPUART_CTS | O | RADIO_TX_SEQUENCE |
| PA11 | O | MCO | - | - | O | RADIO_RX_SEQUENCE |
| Port B | | | | | | |
| PB0 | I/O | USART_RX | O | LPUART_RTS_DE | I/O | TIM16_CH1 |
| PB1 | I/O | USART_CK | - | - | O | TIM16_CH1N |
| PB2 | O | USART_RTS_DE | - | - | I/O | TIM16_BRK |
| PB3 | I | USART_CTS | I/O | LPUART_TX | I/O | TIM17_CH1 |
| PB4 | I/O | LPUART_TX | - | - | O | TIM17_CH1N |
| PB5 | I/O | LPUART_RX | - | - | I/O | TIM17_BRK |
| PB6⁽¹⁾ | I/OD | I2C1_SCL | - | - | I/O | TIM17_CH1 |
| PB7⁽¹⁾ | I/OD | I2C1_SDA | - | - | I | USART_CTS |
| PB12⁽²⁾ | - | - | O | RCC_LCO | I | LPUART_CTS |
| PB13⁽³⁾ | - | - | - | - | - | - |
| PB14 | I/O | I2C1_SMBA | O | RADIO_TX_SEQUENCE | I | TIM2_ETR |
| PB15 | - | - | - | - | - | - |

1. This I/O is able to be configured in open-drain.
2. This I/O is shared with *RCC_OSC32_OUT* (low speed clock oscillator pin).
3. This I/O is shared with *RCC_OSC32_IN* (low speed clock oscillator pin).

Table 8. GPIOs AF3, AF4 and AF6 modes

| Pin name | AF3 mode | | AF4 mode | | AF6 mode | |
|---------------------------|----------|---------------------|----------|---------------------|----------|------------|
| | Type | Signal | Type | Signal | Type | Signal |
| Port A | | | | | | |
| PA0⁽¹⁾ | I | - | I/O | TIM2_CH3 | - | - |
| PA1⁽¹⁾ | - | - | I/O | TIM2_CH4 | - | - |
| PA2 | O | I2S3_MCK | I/O | TIM2_CH1 | I/O | TIM16_CH1 |
| PA3 | I/O | SPI3_SCK / I2S3_SCK | I/O | TIM2_CH2 | O | TIM16_CH1N |
| PA8 | I/O | SPI3_MISO | I/O | TIM2_CH3 | I/O | TIM16_BRK |
| PA9 | I/O | SPI3_NSS / I2S3_WS | I/O | TIM2_CH4 | I/O | TIM17_CH1 |
| PA10 | O | I2S3_MCK | - | - | O | TIM17_CH1N |
| PA11 | I/O | SPI3_MOSI / I2S3_SD | - | - | I/O | TIM17_BRK |
| Port B | | | | | | |
| PB0 | - | - | - | - | O | ANT_ID[0] |
| PB1 | I | TIM2_ETR | - | - | O | ANT_ID[1] |
| PB2 | I/O | TIM2_CH3 | - | - | O | ANT_ID[2] |
| PB3 | I/O | TIM2_CH4 | I/O | SPI3_SCK / I2S3_SCK | O | ANT_ID[3] |
| PB4 | - | - | I/O | TIM2_CH1 | O | ANT_ID[4] |
| PB5 | - | - | I/O | TIM2_CH2 | O | ANT_ID[5] |
| PB6⁽¹⁾ | I/O | LPUART_TX | I/O | TIM2_CH1 | O | ANT_ID[6] |
| PB7⁽¹⁾ | I/O | LPUART_RX | I/O | TIM2_CH2 | O | RXACTIVITY |
| PB12⁽²⁾ | - | - | I/O | TIM2_CH3 | - | - |
| PB13⁽³⁾ | - | - | I/O | TIM2_CH4 | - | - |
| PB14 | O | MCO | - | - | I/O | USART_RX |
| PB15 | - | - | - | - | I/O | USART_TX |

1. This I/O is able to be configured in open-drain.
2. This I/O is shared with *RCC_OSC32_OUT* (low speed clock oscillator pin).
3. This I/O is shared with *RCC_OSC32_IN* (low speed clock oscillator pin).

Note:

Concerning the ADC block present in the STM32WB05xZ device:

- The eight ADC channels are available on PA2, PA3, PB0, PB1, PB2, PB3, PB4, PB5

 The ADC features on those pins are available if the associated pin is configured in analog mode (see [Section 7: General-purpose I/O \(GPIO\)](#) for more details)

 The [Table 9. I/O analog feature mapping](#) shows the mapping associated to analog configuration (for pins which can support analog mode).

Table 9. I/O analog feature mapping

| Pin name | Analog feature | Pin name | Analog feature | Parallel analog feature |
|----------|--------------------|----------|--------------------|-------------------------|
| Port A | | Port B | | |
| PA0 | N/A ⁽¹⁾ | PB0 | ADC_VINM1 | N/A ⁽¹⁾ |
| PA1 | N/A ⁽¹⁾ | PB1 | ADC_VINP1 | N/A ⁽¹⁾ |
| PA2 | ADC_VINM2 | PB2 | ADC_VINM0 | N/A ⁽¹⁾ |
| PA3 | ADC_VINP2 | PB3 | ADC_VINP0 | N/A ⁽¹⁾ |
| PA8 | N/A ⁽¹⁾ | PB4 | ADC_VINM3 | N/A ⁽¹⁾ |
| PA9 | N/A ⁽¹⁾ | PB5 | ADC_VINP3 | N/A ⁽¹⁾ |
| PA10 | N/A ⁽¹⁾ | PB6 | N/A ⁽¹⁾ | N/A ⁽¹⁾ |
| PA11 | N/A ⁽¹⁾ | PB7 | N/A ⁽¹⁾ | N/A ⁽¹⁾ |
| - | - | PB12 | N/A ⁽¹⁾ | RCC_OSC32_OUT |
| - | - | PB13 | N/A ⁽¹⁾ | RCC_OSC32_IN |
| - | - | PB14 | N/A ⁽¹⁾ | PVD input voltage |
| - | - | PB15 | N/A ⁽¹⁾ | N/A |

1. N/A means not applicable as the associated I/O does not support analog option.

Table 10. I/O additional function mapping

| Pin name | Function | Pin name | Function |
|----------|-----------------|----------|--------------------------------------|
| Port A | | Port B | |
| PA0 | Wakeup | PB0 | Wakeup |
| PA1 | Wakeup | PB1 | Wakeup |
| PA2 | Wakeup | PB2 | Wakeup |
| PA3 | Wakeup | PB3 | Wakeup |
| PA8 | Wakeup | PB4 | Wakeup |
| PA9 | Wakeup | PB5 | Wakeup |
| PA10 | Wakeup, RCC_LCO | PB6 | Wakeup |
| PA11 | Wakeup | PB7 | Wakeup |
| - | - | PB12 | Wakeup, RCC_OSC32_OUT ⁽¹⁾ |
| - | - | PB13 | Wakeup, RCC_OSC32_IN ⁽¹⁾ |
| - | - | PB14 | Wakeup |
| - | - | PB15 | Wakeup |

1. The additional functions for LSE oscillator are obtained by setting the `RCC_CR.LSEON` bit in the `RCC` registers. Then the `PB12` and `PB13` are forced by hardware to manage the LSE through `RCC_OSC32_OUT/RCC_OSC32_IN` whatever the selected mode in the associated `GPIOx_MODER` register, but if `PWRC_CR1.APC` bit is set, it is necessary to disable `PUB12`, `PUB13`, `PDB12`, `PDB13` in `PWRC` registers.

Note: For the additional functions like Wakeup I/O, LSE oscillator, `RCC_LCO` configure the required function in the related `PWRC`, `RCC`, `RTC` registers. These functions have priority over the configuration in the standard `GPIO` registers.

5 Power controller (PWRC)

The power controller block controls the analog supplies block and manages the startup, active and low-power phase of the device including the transition from one state to another.

5.1 Features

The power controller block supports the following features:

- Low-power mode choice and entry/exit sequences
- Flash memory power (ON/OFF) and the power-down sequence
- RAM banks retention control
- Power monitoring:
 - POR/PDR reset on rising/falling VDDIO voltage
 - Programmable voltage detector (PVD) monitoring of the VDDIO with programmable threshold or of an external analog input voltage (compared to the internal VBGPF)
- I/Os pull-up/down during low-power mode
- wakeup I/O configuration.

5.2 Power supply domains

The STM32WB05xZ embeds three power domains:

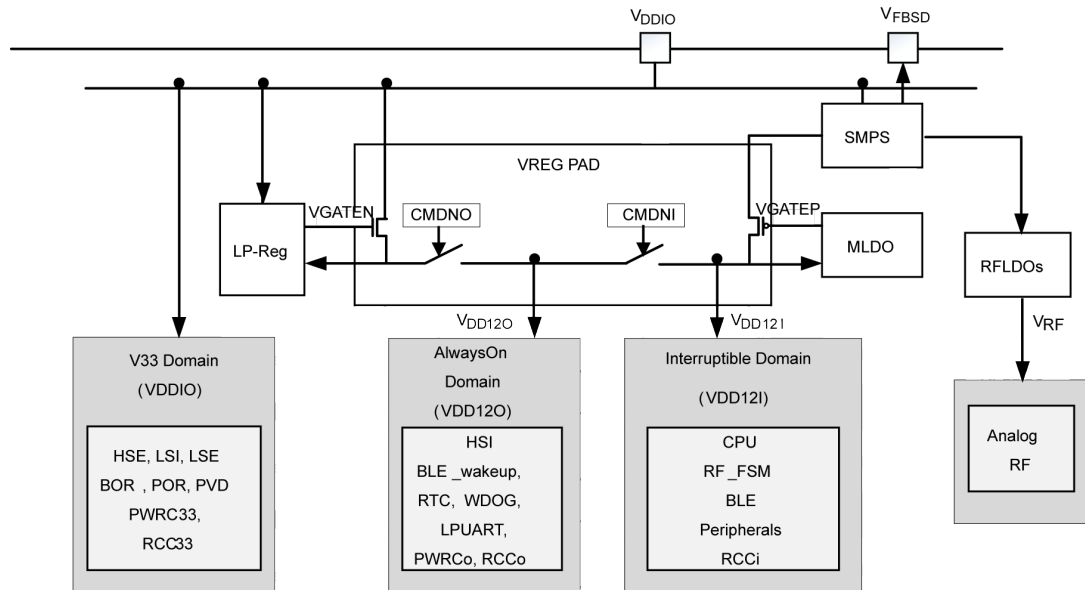
- VDD33 aka VDDIO or VDD:
 - the voltage range is between 1.7 V and 3.6 V,
 - it supplies a part of the I/O ring, the embedded regulators and the system analog IPs such as power management block and embedded oscillators
- VDD12o:
 - always-on digital power domain
 - this domain is generally supplied at 1.2 V during active phase of the device
 - this domain is supplied at 1.0 V during low-power mode (Deepstop)
- VDD12i:
 - interruptible digital power domain
 - this domain is generally supplied at 1.2 V during active phase of the device
 - this domain is shut down during low-power mode (Deepstop)

The digital power supplies are provided by different regulators:

- a main LDO(MLDO):
 - providing the 1.2 V from a 1.4-3.3 V input voltage
 - supplies both VDD12i and VDD12o when the device is active
 - is disabled during the low-power mode (Deepstop)
- a low-power LDO(LPREG):
 - stays enabled during both active and low-power phases
 - provides a 1.0 V voltage
 - is not connected to the digital domain when the device is active
 - is connected to the VDD12o domain during low-power mode (Deepstop)
- a dedicated LDO (RFLDO) to provide a 1.2 V to the analog RF block.

An embedded SMPS step-down converter is available (inserted between the external power and the LDOs).

[Figure 4. Power supply domain overview](#) shows an overview of the different regulators and connections between the power supply domains.

Figure 4. Power supply domain overview


5.3 Power voltage supervisor

The BlueNRG-LPS devices embed several power voltage monitorings:

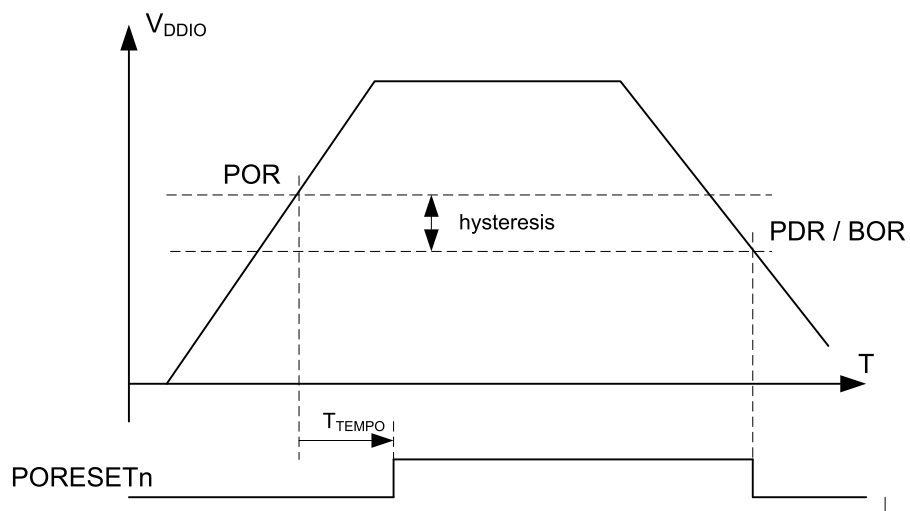
- Power-on reset (POR) / power-down reset (PDR) / Brownout Reset (BOR)
- Power voltage detector (PVD)

5.3.1 Power-on reset POR / power-down reset (PDR) / Brownout Reset (BOR)

The device has an integrated power-on reset / power-down reset, coupled with a Brownout Reset circuitry.

During the power-on, the device remains in reset mode as long as V_{DDIO} is below a V_{POR} threshold (typically 1.60 V).

During power-down, the PDR puts the device under reset when the supply voltage (VDD) drops below the V_{PDR} threshold (around 20 mV below V_{POR}). The PDR feature is always enabled.

Figure 5. Power-on reset/power-down reset waveform


With typical values as follows:

- V_{POR} : 1.60 V
- Hysteresis: 20 mV (so V_{PDR} : 1.58 V)
- T_{TEMPO} : 600 μ s

The Brownout Reset (BOR) generates a device reset when the power supply (VDD) drops under V_{PDR} .

This feature is always active except during shutdown mode where the software can decide to enable it or not (through `PWRC_CR1.ENSDBOR` bit).

5.3.2 Power voltage detection (PVD)

The PVD can be used to monitor:

- the VDDIO:
 - an external analog signal is compared to an internal VBG (at 1.0 V) voltage
 - the feature is selected through `PWRC_CR2.PVDLS[2:0]` bit field
- an external analog input signal:
 - an external analog signal is compared to an internal VBG (at 1.0 V) voltage
 - the feature is selected through `PWRC_CR2.PVDLS[2:0]` bit field

The PVD can be enabled or disabled through the `PWRC_CR2.PVDE` bit.

When the feature is enabled and the PVD measures a voltage below the comparator, a status flag is raised in the SYSCFG block that can generate an interrupt to the CPU if unmasked (see [Section 8.2.10: Power controller interrupt status and clear register \(PWRC_ISR\)](#)).

5.4 Operating modes

The STM32WB05xZ supports 3 main operating modes:

- Run mode
- Deepstop mode
- Shutdown mode

The transition from one mode to another is managed through a PMU state machine.

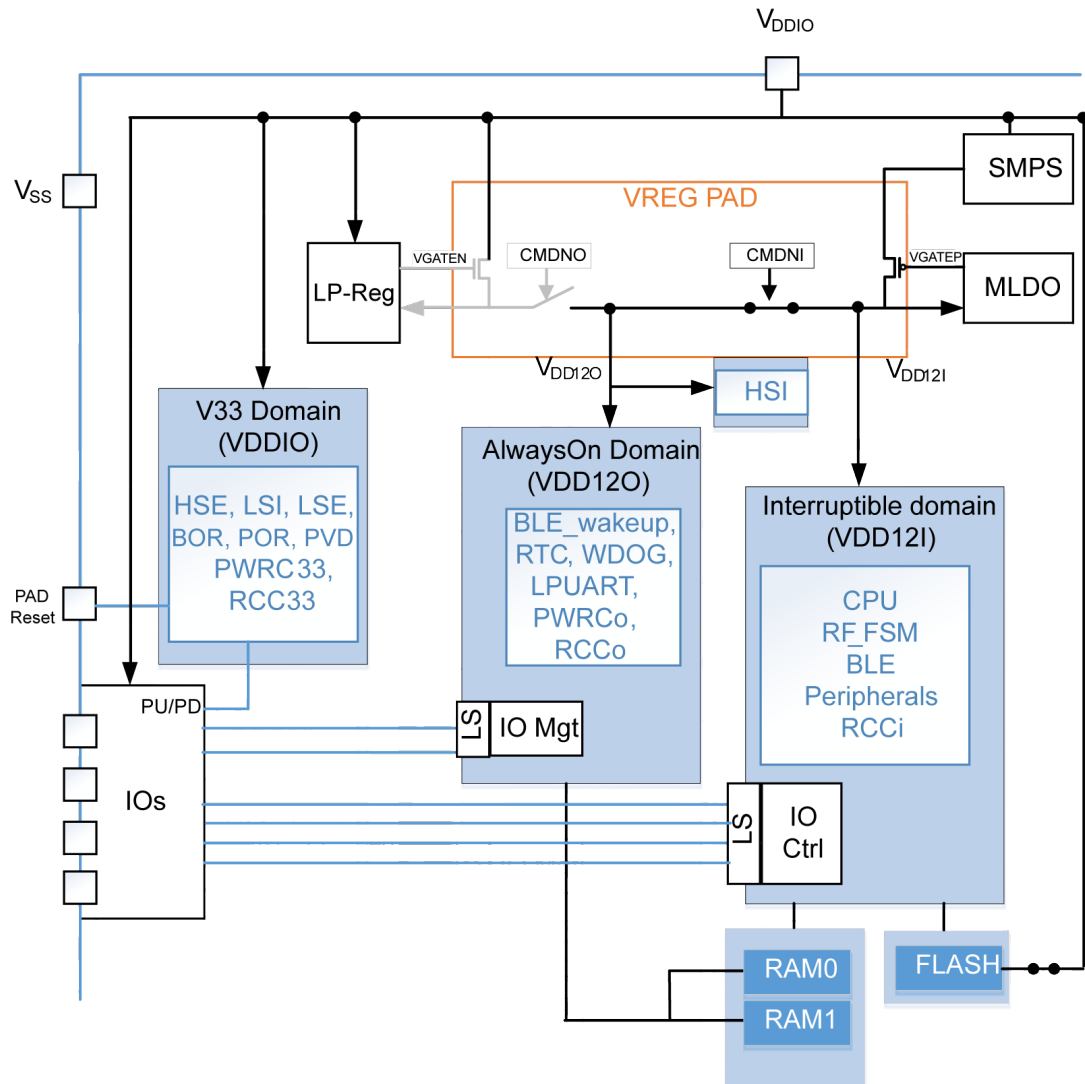
5.4.1 Run mode

In Run mode:

- both regulators (MLDO and LPREG) are enabled
- MLDO provides the power supply for both VDD12i and VDD12o
- System clock and bus clock are running
- the CPU and the radio can be used

The power consumption may be reduced by gating the clock of the unused peripherals through the RCC clock enable registers (see [Section 6.6.17: RCC register map](#)).

[Figure 6. Power regulators and SMPS configuration in mode](#) shows the regulators and SMPS configuration in mode with a product with only 24 Kbytes of RAM.

Figure 6. Power regulators and SMPS configuration in mode


5.4.2 Deepstop mode

The Deepstop is the only low-power mode of the STM32WB05xZ in order to restart from a saved context environment and go on running the application at wakeup.

The conditions to enter Deepstop mode are:

- Radio (MR_BLE) is sleeping
- CPU is sleeping (WFI with SLEEPDEEP information active)
- No unmasked wakeup sources are active (including those from a previous wakeup sequence for which the software did not clear the associated flag after wakeup)
- System is clocked on RC64MPLL (HSI or pll locked mode)
- PWRC_CR1.LPMS bit is equal to 0
- If PWRC_CR1.APC = 1, the I/O pull-ups/pull-downs are controlled by the PWRC_PUCRx/PWRC_PDCRx registers.
- Set GPIORET bit to enable GPIOs configuration retention for all I/Os (If DEEPSTOP2 bit is set, GPIORET must be reset, because SWJTAG must be available).

Note: *If the MR_BLE is not used at all by the SoC (or not yet started), the following steps need to be performed after any reset to allow low-power modes (Deepstop and Shutdown):*

- *Enable the MR_BLE clock by setting the RCC_APB2ENR.MRBLEEN bit*
- *Set the BLUE_SLEEP_REQUEST_MODE.FORCE_SLEEPING bit inside the wakeup block of the MR_BLE to have the MR_BLE IP requesting low-power mode to the SoC*
- *Gate again the MR_BLE clock by clearing the RCC_APB2ENR.MRBLEEN bit*

In Deepstop mode:

- the system and bus clocks are stopped as the RC64MPLL block is OFF
- the VDD12i power domain is switched off
- the VDDI2o power domain is ON and supplied at 1.0 V
- the RAM0 bank is kept in retention
- if PWRC_CR1.APC = 1, the I/Os pull-up/down are controlled by the PWRC_PUCRx/PWRC_PDCCRx during Deepstop mode
- the other RAM banks are in retention or not, depending on software choice in PWRC_CR2 register
- the slow clock can be running or stopped, depending on the software configuration present before Deepstop entry:
 - ON or OFF
 - LSE or LSI source
- RTC, IWDG and LPUART stay active (if enabled and one slow clock source is ON)
- MR_BLE wakeup block including its timer stays active (if enabled and one slow clock source is ON)
- All I/Os configurations can be retained and are able to be configured:
 - In output:
 1. driving either a static low or high level if [Section 7.4: GPIO registers](#) properly programmed
 2. driving the slow clock information RCC_LCO on PA10 only if LCOEN bit is set
 3. driving the RTC_OUT on PA8 only if [Section 19.6.3: RTC control register \(RTC_CR\)](#) properly programmed and AF1 selected
 - In input if [Section 7.4: GPIO registers](#) is properly programmed

A version of Deepstop mode called DEEPSTOP2 has been implemented to emulate Deepstop mode without losing the debugger connection and breakpoints or watchpoints.

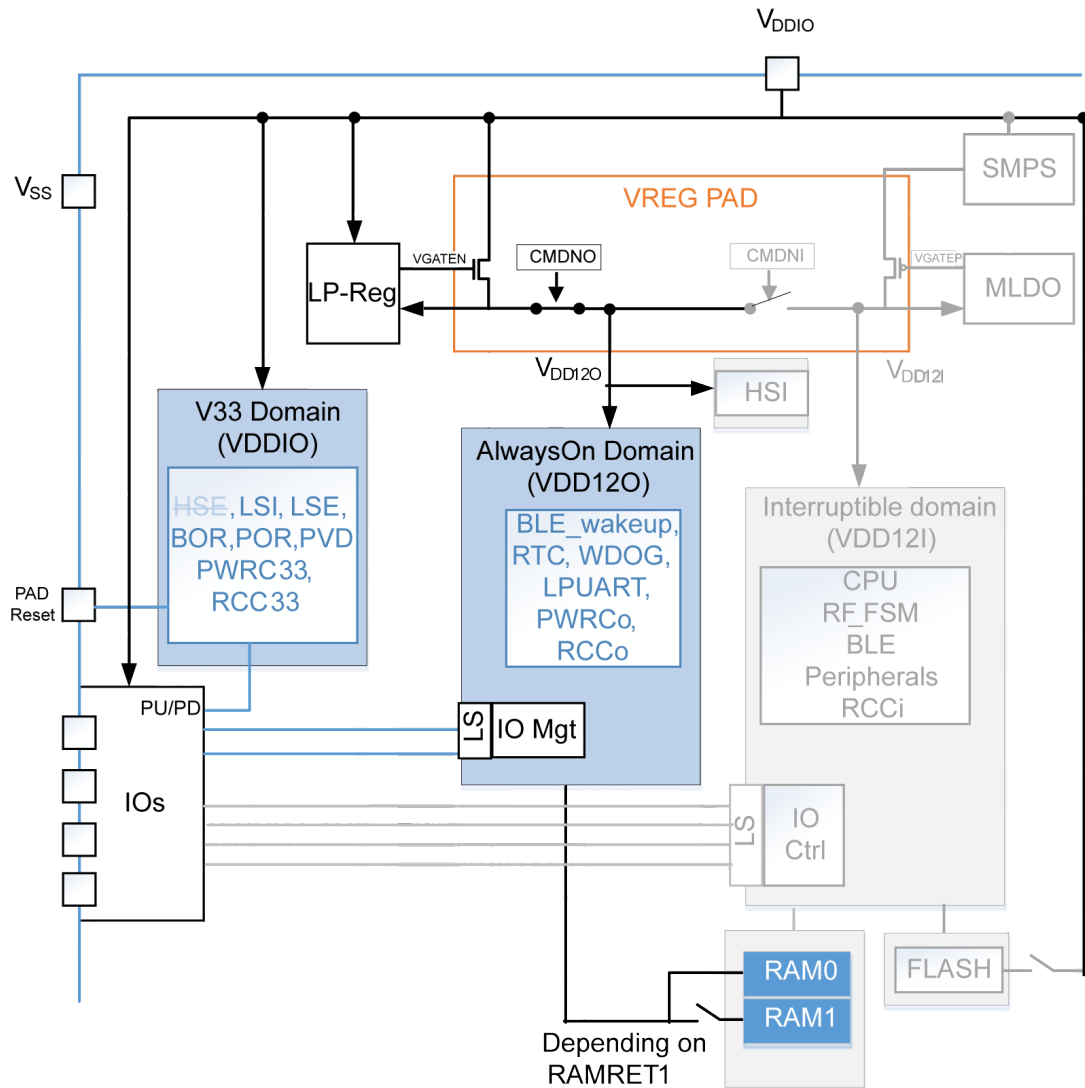
- This variant can be selected by setting the PWRC_DBGR.DEEPSTOP2 bit
- In this case, the Deepstop mode sequence (entry and exit) is done without shutting down the VDD12i power domain

Possible wakeup sources:

- the MR_BLE block is able to generate two events to wake up the system through its embedded wakeup timer running on slow clock:
 - BLE IP wakeup time is reached
- the RTC is able to generate a wakeup event
- the IWDG is able to generate a reset event
- the LPUART is able to generate a wakeup event
- All I/Os are able to wake up the system.

After wakeup from Deepstop, all the I/Os are in retention mode (except PA2 and PA3 in order to have SWD available again); if DBGRET bit was set, before entering Deepstop mode, then at wakeup also PA2 and PA3 are in retention mode and SWD is not available. To change I/Os configuration, when exiting Deepstop, it is necessary to reset GPIORET bit after having re-configured GPIO registers through [Section 7.4: GPIO registers](#) (this GPIO configuration can be the same before entering Deepstop, or a new one). At wakeup, the hardware resources located in the VDD12i power domain are reset, the CPU reboots. The wakeup reason is visible in a PWRC register (see [Section 5.7.5: Status register 1 \(PWRC_SR1\)](#) for details).

[Figure 7. Power regulators and SMPS configuration in Deepstop mode](#) shows the regulators and SMPS configuration in Deepstop mode, with a configuration requesting retention only on RAM0 and RAM1 banks.

Figure 7. Power regulators and SMPS configuration in Deepstop mode


Note: Strikethrough text indicates that the feature is OFF in Deepstop mode.

5.4.3 Shutdown mode

Shutdown mode is the least power consuming mode.

The conditions to enter Shutdown mode are the same conditions needed to enter Deepstop mode except that the PWRC_CR1.LPMS bit must be equal to 1 and the PWRC_DBGR.DEEPSTOP2 bit must be maintained equal to 0.

In Shutdown mode:

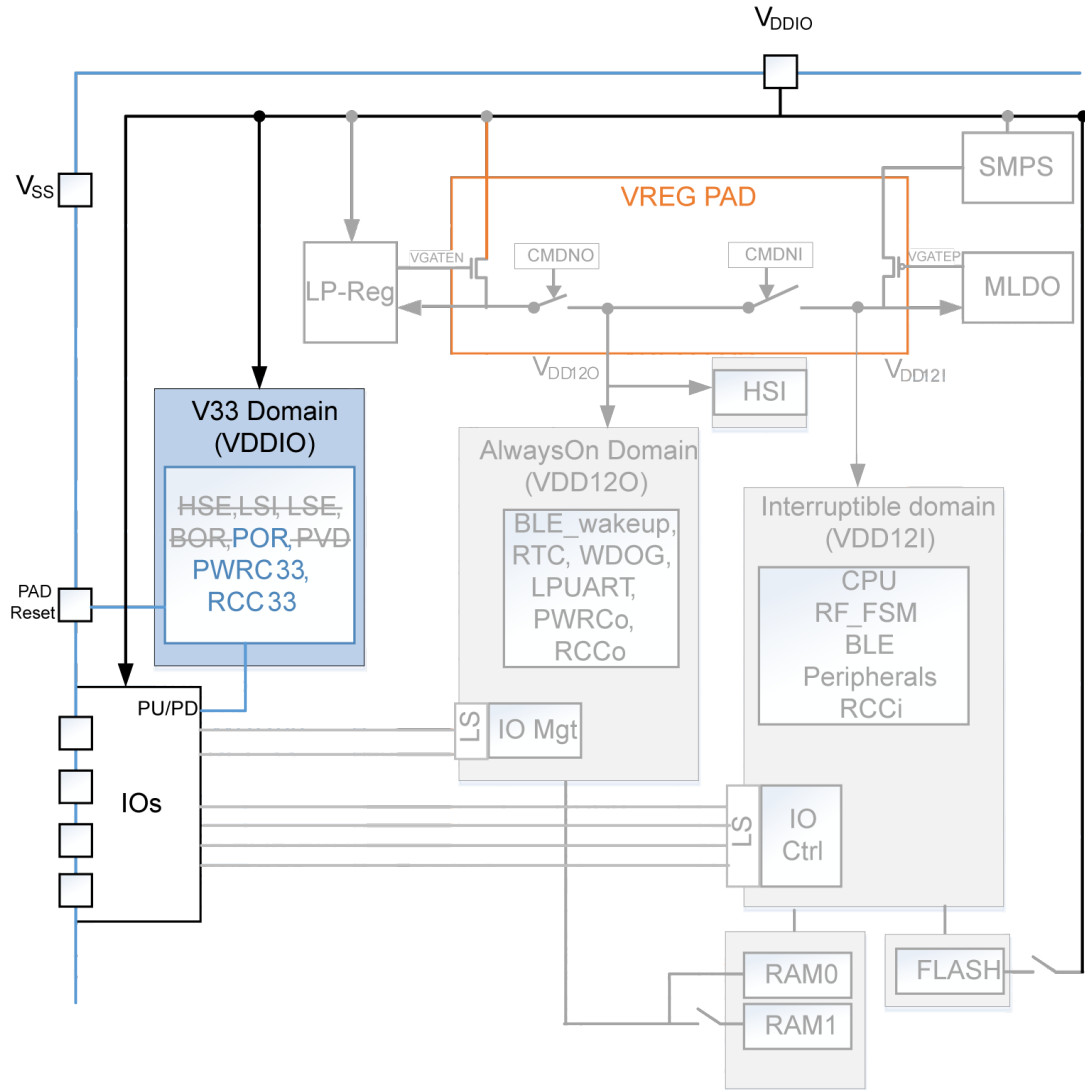
- The system is powered down as both regulators are OFF (so both VDD12i and VDD12o power domains are OFF)
- Only the VDDIO power domain is ON
- All clocks are OFF (system and slow clock tree) as RC6MPLL, LSI and LSE are OFF,
- If PWRC_CR1.APC = 1, the I/O pull-ups/pull-down are controlled by the PWRC_PUCRx/PWRC_PDCRx registers
- The only wakeup source is a low pulse on the RSTN pad

A Shutdown exit is similar to a POR startup of the board. The associated reset reason is the PORRSTF flag (see Section 6.6.14: V33 reset status register (RCC_CSR) for reset reason flag detail).

The BOR feature may be enabled or disabled during Shutdown through the PWRC_CR1.ENSDNBOR bit.

Figure 8. Power regulators and SMPS configuration in Shutdown mode shows the regulators and SMPS configuration in Shutdown mode, configured with the BOR reset disabled.

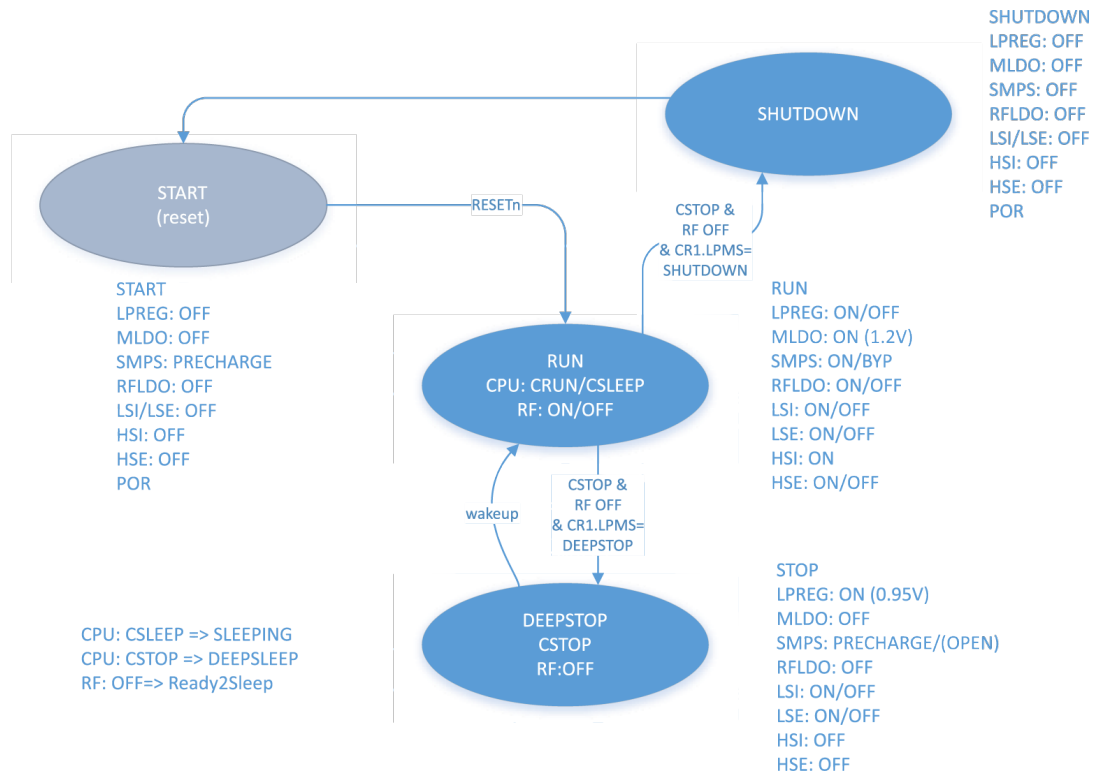
Figure 8. Power regulators and SMPS configuration in Shutdown mode



Note: *Strikethrough text indicates that the feature is OFF in Shutdown mode.*

5.4.4 Operating mode transition management

The PWRC block manages the switches from an operating mode to another through a state machine.

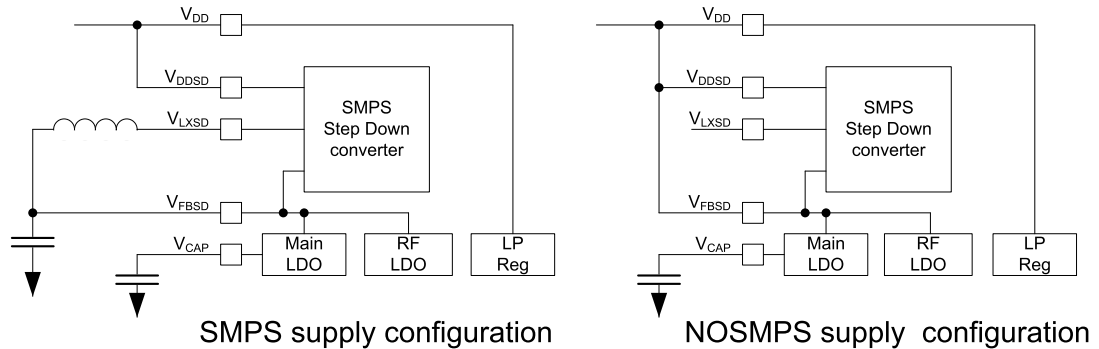
Figure 9. PWRC state machine for operating modes transition


5.5 SMPS step-down regulator

The STM32WB05xZ SMPS is a 20 mA output step-down SMPS (switch mode power supply) converter. The SMPS output voltage can be programmed from 1.2 V to 1.90 V. It is internally clocked at 4 MHz or 8 MHz. The SMPS can be in different configurations:

- **ON:**
 - the V_{FBSD} pin of the SMPS outputs a regulated voltage (from 1.2 V to 1.9 V)
 - the SMPS needs a clock
- **OFF:**
 - the V_{FBSD} pin has to be forced externally with VDDIO
 - the SMPS does not need a clock
- **PRECHARGE (aka BYPASS):**
 - the V_{FBSD} pin outputs the VDDIO without regulation
 - the SMPS does not need a clock
 - the SMPS current can be limited programming control register 5 (PWRC_CR5)
- **OPEN:**
 - the V_{FBSD} pin is floating
 - the SMPS does not need a clock

Except for the configuration SMPS OFF, an L/C BOM must be present on the board and connected to the V_{FBSD} pad (see Figure 10. Power supply configuration).

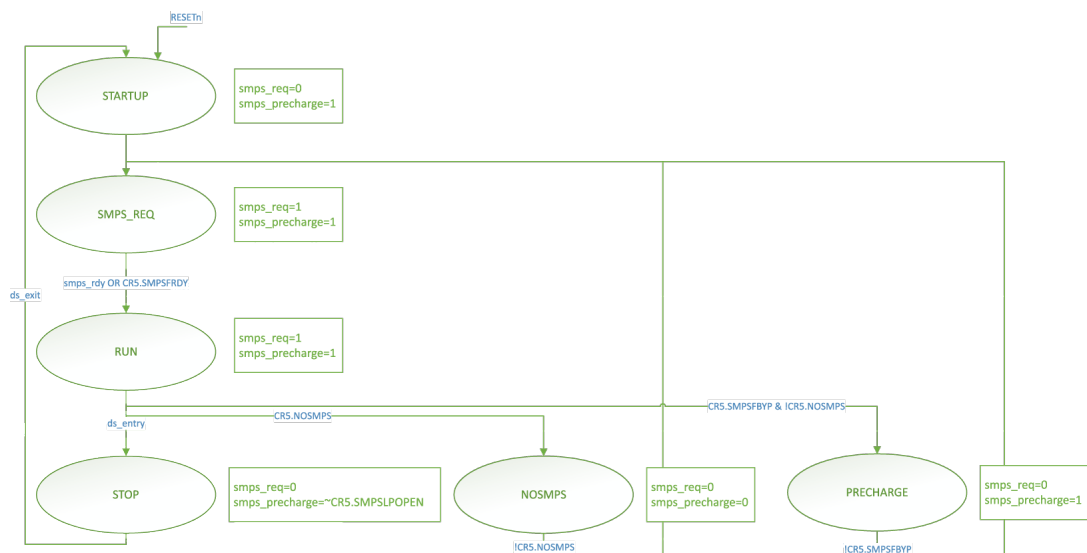
Figure 10. Power supply configuration


The user must configure the PWRC_CR5.SMPSBOMSEL[1:0] according to the BOM implemented on their board. The value to program is indicated in [Table 11. SMPS BOM information](#).

Table 11. SMPS BOM information

| BOM | Inductance (L) | Output capacitance (C) | SMPSBOMSEL[1:0] |
|------|----------------|------------------------|-----------------|
| BOM1 | 1.5 uH | 2.2 uF | 00 |
| BOM2 | 2.2 uH | 4.7 uF | 01 |
| BOM3 | 10 uH | 4.7 uF | 10 |

The SMPS is managed by the PWRC through a state machine shown in [Figure 11. PWRC SMPS state machine overview](#).

Figure 11. PWRC SMPS state machine overview


After a power-on reset sequence, the SMPS FSM always goes up to Run state. From there, the SMPS FSM can stay in three states (others are transition states):

- Run:
 - the SMPS is ON in a Run mode
 - the SMPS clock is running
 - the V_{FBS} is regulated and voltage amplitude is the one programmed in the PWRC_CR5.SMPSLVL bit field
 - the L/C BOM is present on the board and is connected on the VFBS pad of the STM32WB05xZ (see [Figure 10. Power supply configuration](#))

- NOSMPS (if the software configures PWRC_CR5.NOSMPS=1):
 - the SMPS is OFF
 - the SMPS clock is stopped
 - the V_{FBS} is directly connected to the VDDIO through the V_{FBS} pad of the STM32WB05xZ (see [Figure 10. Power supply configuration](#))
 - the PWRC does not control any specific sequencing on the SMPS during low-power entry/exit phases
- PRECHARGE aka BYPASS (if the software configures PWRC_CR5.SMPSFBYP=1):
 - the SMPS is ON in a precharge mode
 - the SMPS clock is stopped
 - the V_{FBS} is the VDDIO voltage crossing the SMPS block
 - the PWRC does not control any specific sequencing on the SMPS during low-power entry/exit phases
 - this mode is compliant with an L/C BOM connected on the V_{FBS} pad of the STM32WB05xZ

When the device enters Deepstop mode, the PWRC automatically switches the SMPS from Run to STOP mode which can be:

- if PWRC_CR5.SMPSLPOPEN = 0: SMPS output is the VDDIO (as in PRECHARGE FSM state)
- if PWRC_CR5.SMPSLPOPEN = 1: the SMPS output is floating

5.6 I/O pull-ups/pull-downs during low power mode

When PWRC_CR1.APC is set (default configuration), the pull-up/pull-down of the IOs is controlled by the PWRC_PUCRx and PWRC_PDCRx registers of the PWRC block, instead of GPIOx_PUPDR register of the GPIO block. This feature avoids glitches on the lines by keeping the same pull-up/pull-down configuration during all the supported operating modes.

5.7 PWRC registers

All PWRC APB registers are only 16-bit registers. The 16 most-significant bits are always stuck to 0.

5.7.1 Control register 1 (PWRC_CR1)

This register controls the BOR in Shutdown, the low-power mode selection and the IO control owner.

Address offset: 0x00

Reset value: 0x0000 0114

| | | | | | | | | | | | | | | | |
|------|------|------|------|------|------|------|------|------|------|------|------|-----------------|----------------|----------|------|
| 31 | 30 | 29 | 28 | 27 | 26 | 25 | 24 | 23 | 22 | 21 | 20 | 19 | 18 | 17 | 16 |
| Res. | Res. | Res. | Res. | Res. | Res. | Res. | Res. | Res. | Res. | Res. | Res. | Res. | Res. | Res. | Res. |
| 15 | 14 | 13 | 12 | 11 | 10 | 9 | 8 | 7 | 6 | 5 | 4 | 3 | 2 | 1 | 0 |
| Res. | Res. | Res. | Res. | Res. | Res. | Res. | Res. | Res. | Res. | Res. | APC | IBIAS_RUN_STATE | IBIAS_RUN_AUTO | ENSDNBOR | LPMS |
| | | | | | | | | | | | rw | rw | rw | rw | rw |

| | |
|-----------|--|
| Bits 31:5 | Reserved, must be kept at reset value. |
| Bit 4 | APC: Apply pull-up/down configuration from PWRC or GPIO register. <ul style="list-style-type: none"> 0: The GPIOx_PUPDR of the GPIO block are used to control the product pull-up/-down of the IOs 1: The PWRC_PUCRx and PWRC_PDCRx of the PWRC block are used to control the product pull-up/down of the IOs (default) |
| Bit 3 | IBIAS_RUN_STATE: Enable/disable IBIAS during Run mode when automatic mode is disabled. <ul style="list-style-type: none"> 0: IBIAS control is disabled (default) 1: IBIAS control is enabled |
| Bit 2 | IBIAS_RUN_AUTO: IBIAS_RUN_AUTO: Enable automatic IBIAS control during Run or Deepstop mode. <ul style="list-style-type: none"> 0: IBIAS control is manual (and controlled by IBIAS_RUN_STATE register) 1: IBIAS control is automatic (default) |
| Bit 1 | ENSDNBOR: Enable BOR reset supervising during Shutdown mode. <ul style="list-style-type: none"> 0: No BOR is monitored during Shutdown mode (default) 1: BOR is monitored during Shutdown mode (a POR reset happens if VDDIO goes below 1.58 V during Shutdown mode) <p>Note: Enabling this feature prevents blocking the device if VDDIO goes below supported voltages during Shutdown. However, it adds an overconsumption.</p> |
| Bit 0 | LPMS: Low-power mode selection. This bit defines whether the device enters Deepstop or Shutdown mode when both CPU and MR_BLE requests a low-power mode entry. <ul style="list-style-type: none"> 0: Deepstop mode(default) 1: Shutdown mode (PWRC_DBGR.DEEPSTOP2 bit must be kept reset) |

Note: *It is mandatory to ensure that PWRC_DBGR.DEEPSTOP2 bit is reset when LPMS bit is set before entering in Shutdown.*

5.7.2 Control register 2 (PWRC_CR2)

Address offset: 0x04

Reset value: 0x0000 0000

| | | | | | | | | | | | | | | | |
|------|------|------|------|------|------|------|---------|------|------|---------|--------|------------|------|------|------|
| 31 | 30 | 29 | 28 | 27 | 26 | 25 | 24 | 23 | 22 | 21 | 20 | 19 | 18 | 17 | 16 |
| Res. | Res. | Res. | Res. | Res. | Res. | Res. | Res. | Res. | Res. | Res. | Res. | Res. | Res. | Res. | Res. |
| 15 | 14 | 13 | 12 | 11 | 10 | 9 | 8 | 7 | 6 | 5 | 4 | 3 | 2 | 1 | 0 |
| Res. | Res. | Res. | Res. | Res. | Res. | Res. | GPIORET | Res. | Res. | RAMRET1 | DBGRET | PVDLS[2:0] | | | PVDE |
| | | | | | | | rw | | | rw | rw | rw | rw | rw | rw |

| | |
|-----------|---|
| Bits 31:9 | Reserved, must be kept at reset value. |
| Bit 8 | GPIORET : GPIO retention enable. <ul style="list-style-type: none"> 0: GPIOs don't retain their configuration during and exiting Deepstop (default) 1: GPIOs retain their configuration during and exiting Deepstop |
| Bit 7 | Reserved, must be kept at reset value. |
| Bit 6 | Reserved, must be kept at reset value. |
| Bit 5 | RAMRET1 : Enables the RAM1 bank retention in Deepstop mode. <ul style="list-style-type: none"> 0: RAM1 bank is not retained during Deepstop mode (default) 1: RAM1 bank is retained during Deepstop mode |
| Bit 4 | DBGRET : PA2 and PA3 retention enable after Deepstop <ul style="list-style-type: none"> 0: PA2, PA3 GPIOs don't retain their configuration exiting from Deepstop (default). 1: PA2, PA3 GPIOs retain their configuration exiting from Deepstop |
| Bits 3:1 | PVDLS[2:0] : Programmable voltage detector level selection: <ul style="list-style-type: none"> 000: 2.04 V - the lowest level 001: 2.22 V 010: 2.36 V 011: 2.53 V 100: 2.66 V 101: 2.81 V 110: 2.94 V - the highest level 111: External input analog voltage (compared internally to VBGP). In this case, PVDO signal is high when external voltage is lower than VBGP |
| Bit 0 | PVDE : Programmable voltage detector enable. <ul style="list-style-type: none"> 0: The power voltage detector feature is disabled (default) 1: The power voltage detector feature is enabled |

Note: *it is mandatory to ensure GPIORET bit is set before entering Deepstop unless DEEPSTOP2 bit is set.*

5.7.3 Control register 3 (PWRC_CR3)

This register manages the selection of the wakeup sources to get out of Deepstop mode.

Note: All wakeup sources are disabled by default after reset.

Address offset: 0x08

Reset value: 0x0000 0000

| | | | | | | | | | | | | | | | |
|------|-------|-----------|-------|-------|-------|------|------|------|------|------|------|------|------|------|------|
| 31 | 30 | 29 | 28 | 27 | 26 | 25 | 24 | 23 | 22 | 21 | 20 | 19 | 18 | 17 | 16 |
| Res. | Res. | Res. | Res. | Res. | Res. | Res. | Res. | Res. | Res. | Res. | Res. | Res. | Res. | Res. | Res. |
| 15 | 14 | 13 | 12 | 11 | 10 | 9 | 8 | 7 | 6 | 5 | 4 | 3 | 2 | 1 | 0 |
| EIWL | EIWL2 | EWBLEHCPU | EWBLE | EWU11 | EWU10 | EWU9 | EWU8 | EWU7 | EWU6 | EWU5 | EWU4 | EWU3 | EWU2 | EWU1 | EWU0 |
| rw | rw | rw | rw | rw | rw | rw | rw | rw | rw | rw | rw | rw | rw | rw | rw |

| | |
|------------|--|
| Bits 31:16 | Reserved, must be kept at reset value. |
| Bit 15 | EIWL: Enable wakeup on internal event (RTC). <ul style="list-style-type: none"> 0: Wakeup on internal line is disabled (default) 1: Wakeup on internal line is enabled |
| Bit 14 | EIWL2: Enable wakeup on internal event (LPUART). <ul style="list-style-type: none"> 0: Wakeup on internal line is disabled (default) 1: Wakeup on internal line is enabled. |
| Bit 13 | EWBLEHCPU: Enable wakeup on BLE Host CPU event. <ul style="list-style-type: none"> 0: Wakeup on BLE Host CPU line is disabled (default) 1: Wakeup on BLE Host CPU line is enabled |
| Bit 12 | EWBLE: Enable wakeup on BLE event. <ul style="list-style-type: none"> 0: Wakeup on BLE line is disabled (default) 1: Wakeup on BLE line is enabled |
| Bit 11 | EWU11: Enable wakeup on PA11 I/O event. <ul style="list-style-type: none"> 0: Wakeup on PA11 I/O line is disabled (default) 1: Wakeup on PA11 I/O line is enabled |
| Bit 10 | EWU10: Enable wakeup on PA10 I/O event. <ul style="list-style-type: none"> 0: Wakeup on PA10 I/O line is disabled (default) 1: Wakeup on PA10 I/O line is enabled |
| Bit 9 | EWU9: Enable wakeup on PA9 I/O event. <ul style="list-style-type: none"> 0: Wakeup on PA9 I/O line is disabled (default) 1: Wakeup on PA9 I/O line is enabled |
| Bit 8 | EWU8: Enable wakeup on PA8 I/O event. <ul style="list-style-type: none"> 0: Wakeup on PA8 I/O line is disabled (default) 1: Wakeup on PA8 I/O line is enabled |
| Bit 7 | EWU7: Enable wakeup on PB7 I/O event. <ul style="list-style-type: none"> 0: Wakeup on PB7 I/O line is disabled (default) 1: Wakeup on PB7 I/O line is enabled |
| Bit 6 | EWU6: Enable wakeup on PB6 I/O event. <ul style="list-style-type: none"> 0: Wakeup on PB6 I/O line is disabled (default) 1: Wakeup on PB6 I/O line is enabled |
| Bit 5 | EWU5: Enable wakeup on PB5 I/O event. <ul style="list-style-type: none"> 0: Wakeup on PB5 I/O line is disabled (default) 1: Wakeup on PB5 I/O line is enabled |

| | |
|-------|---|
| | <ul style="list-style-type: none"> • 0: Wakeup on PB5 I/O line is disabled (default) • 1: Wakeup on PB5 I/O line is enabled |
| Bit 4 | <p>EWU4: Enable wakeup on PB4 I/O event.</p> <ul style="list-style-type: none"> • 0: Wakeup on PB4 I/O line is disabled (default) • 1: Wakeup on PB4 I/O line is enabled |
| Bit 3 | <p>EWU3: Enable wakeup on PB3 I/O event.</p> <ul style="list-style-type: none"> • 0: Wakeup on PB3 I/O line is disabled (default) • 1: Wakeup on PB3 I/O line is enabled |
| Bit 2 | <p>EWU2: Enable wakeup on PB2 I/O event.</p> <ul style="list-style-type: none"> • 0: Wakeup on PB2 I/O line is disabled (default) • 1: Wakeup on PB2 I/O line is enabled |
| Bit 1 | <p>EWU1: Enable wakeup on PB1 I/O event.</p> <ul style="list-style-type: none"> • 0: Wakeup on PB1 I/O line is disabled (default) • 1: Wakeup on PB1 I/O line is enabled |
| Bit 0 | <p>EWU0: Enable wakeup on PB0 I/O event.</p> <ul style="list-style-type: none"> • 0: Wakeup on PB0 I/O line is disabled (default) • 1: Wakeup on PB0 I/O line is enabled |

5.7.4 Control register 4 (PWRC_CR4)

This register manages the polarity for the I/Os wakeup sources to get out of Deepstop mode.

Note: The wakeup events are edge detection only, not level detection.

Address offset: 0x0C

Reset value: 0x0000 0000

| | | | | | | | | | | | | | | | |
|------|------|------|------|-------|-------|------|------|------|------|------|------|------|------|------|------|
| 31 | 30 | 29 | 28 | 27 | 26 | 25 | 24 | 23 | 22 | 21 | 20 | 19 | 18 | 17 | 16 |
| Res. | Res. | Res. | Res. | Res. | Res. | Res. | Res. | Res. | Res. | Res. | Res. | Res. | Res. | Res. | Res. |
| 15 | 14 | 13 | 12 | 11 | 10 | 9 | 8 | 7 | 6 | 5 | 4 | 3 | 2 | 1 | 0 |
| Res. | Res. | Res. | Res. | WUP11 | WUP10 | WUP9 | WUP8 | WUP7 | WUP6 | WUP5 | WUP4 | WUP3 | WUP2 | WUP1 | WUP0 |
| | | | | rW | rW | rW | rW | rW | rW | rW | rW | rW | rW | rW | rW |

| | |
|------------|--|
| Bits 31:12 | Reserved, must be kept at reset value. |
| Bit 11 | WUP11: wakeup polarity for PA11 I/O. <ul style="list-style-type: none"> 0: Detection of wakeup event on rising edge (default) 1: Detection of wakeup event on falling edge |
| Bit 10 | WUP10: wakeup polarity for PA10 I/O. <ul style="list-style-type: none"> 0: Detection of wakeup event on rising edge (default) 1: Detection of wakeup event on falling edge |
| Bit 9 | WUP9: wakeup polarity for PA9 IO event. <ul style="list-style-type: none"> 0: Detection of wakeup event on rising edge (default) 1: Detection of wakeup event on falling edge |
| Bit 8 | WUP8: wakeup polarity for PA8 IO event. <ul style="list-style-type: none"> 0: Detection of wakeup event on rising edge (default) 1: Detection of wakeup event on falling edge |
| Bit 7 | WUP7: wakeup polarity for PB7 IO event. <ul style="list-style-type: none"> 0: Detection of wakeup event on rising edge (default) 1: Detection of wakeup event on falling edge |
| Bit 6 | WUP6: wakeup polarity for PB6 IO event. <ul style="list-style-type: none"> 0: Detection of wakeup event on rising edge (default) 1: Detection of wakeup event on falling edge |
| Bit 5 | WUP5: wakeup polarity for PB5 IO event. <ul style="list-style-type: none"> 0: Detection of wakeup event on rising edge (default) 1: Detection of wakeup event on falling edge |
| Bit 4 | WUP4: Wakeup polarity for PB4 IO event. <ul style="list-style-type: none"> 0: Detection of wakeup event on rising edge (default) 1: Detection of wakeup event on falling edge |
| Bit 3 | WUP3: wakeup polarity for PB3 IO event. <ul style="list-style-type: none"> 0: Detection of wakeup event on rising edge (default) 1: Detection of wakeup event on falling edge |
| Bit 2 | WUP2: wakeup polarity for PB2 IO event. <ul style="list-style-type: none"> 0: Detection of wakeup event on rising edge (default) 1: Detection of wakeup event on falling edge |
| Bit 1 | WUP1: wakeup polarity for PB1 IO event. <ul style="list-style-type: none"> 0: Detection of wakeup event on rising edge (default) 1: Detection of wakeup event on falling edge |
| Bit 0 | WUP0: wakeup polarity for PB0 IO event. <ul style="list-style-type: none"> 0: Detection of wakeup event on rising edge (default) 1: Detection of wakeup event on falling edge |

5.7.5 Status register 1 (PWRC_SR1)

This register provides the information concerning which source woke up the device after a Deepstop.

Address offset: 0x10

Reset value: 0x0000 0000

| | | | | | | | | | | | | | | | |
|------|-------|-----------|-------|-------|-------|-------|-------|-------|-------|-------|-------|-------|-------|-------|-------|
| 31 | 30 | 29 | 28 | 27 | 26 | 25 | 24 | 23 | 22 | 21 | 20 | 19 | 18 | 17 | 16 |
| Res. | Res. | Res. | Res. | Res. | Res. | Res. | Res. | Res. | Res. | Res. | Res. | Res. | Res. | Res. | Res. |
| 15 | 14 | 13 | 12 | 11 | 10 | 9 | 8 | 7 | 6 | 5 | 4 | 3 | 2 | 1 | 0 |
| IWUF | IWUF2 | WBLEHCPUF | WBLEF | WUF11 | WUF10 | WUF9 | WUF8 | WUF7 | WUF6 | WUF5 | WUF4 | WUF3 | WUF2 | WUF1 | WUF0 |
| r | rc_w1 | rc_w1 | rc_w1 | rc_w1 | rc_w1 | rc_w1 | rc_w1 | rc_w1 | rc_w1 | rc_w1 | rc_w1 | rc_w1 | rc_w1 | rc_w1 | rc_w1 |

| | |
|------------|---|
| Bits 31:16 | Reserved, must be kept at reset value. |
| Bit 15 | IWUF : Internal wakeup flag (RTC). <ul style="list-style-type: none"> 0: No wakeup from RTC occurred since last clear 1: A wakeup from RTC occurred since last clear Note: The user must clear the RTC wakeup flag inside the RTC IP to clear this bit. |
| Bit 14 | IWUF2 : Internal wakeup 2 flag (LPUART). <ul style="list-style-type: none"> 0: No wakeup from LPUART occurred since last clear 1: A wakeup from LPUART occurred since last clear. Cleared by writing 1 in this bit. Note: The user must clear before LPUART wakeup flag inside the LPUART IP to clear this bit. |
| Bit 13 | WBLEHCPUF : BLE Host CPU wakeup flag. <ul style="list-style-type: none"> 0: No wakeup from BLE Host CPU occurred since last clear 1: A wakeup from BLE Host CPU occurred since last clear. Cleared by writing 1 in this bit |
| Bit 12 | WBLEF : BLE wakeup flag. <ul style="list-style-type: none"> 0: No wakeup from BLE occurred since last clear 1: A wakeup from BLE occurred since last clear. Cleared by writing 1 in this bit |
| Bit 11 | WUF11 : PA11 I/O wakeup flag. <ul style="list-style-type: none"> 0: No wakeup from PA11 I/O occurred since last clear 1: A wakeup from PA11 I/O occurred since last clear. Cleared by writing 1 in this bit |
| Bit 10 | WUF10 : PA10 I/O wakeup flag. <ul style="list-style-type: none"> 0: No wakeup from PA10 I/O occurred since last clear 1: A wakeup from PA10 I/O occurred since last clear. Cleared by writing 1 in this bit |
| Bit 9 | WUF9 : PA9 I/O wakeup flag. <ul style="list-style-type: none"> 0: No wakeup from PA9 I/O occurred since last clear 1: A wakeup from PA9 I/O occurred since last clear. Cleared by writing 1 in this bit |
| Bit 8 | WUF8 : PA8 I/O wakeup flag. <ul style="list-style-type: none"> 0: No wakeup from PA8 I/O occurred since last clear 1: A wakeup from PA8 I/O occurred since last clear. |

| | |
|-------|---|
| | Cleared by writing 1 in this bit |
| Bit 7 | <p>WUF7: PB7 I/O wakeup flag.</p> <ul style="list-style-type: none"> • 0: No wakeup from PB7 I/O occurred since last clear • 1: A wakeup from PB7 I/O occurred since last clear. <p>Cleared by writing 1 in this bit</p> |
| Bit 6 | <p>WUF6: PB6 I/O wakeup flag.</p> <ul style="list-style-type: none"> • 0: No wakeup from PB6 I/O occurred since last clear • 1: A wakeup from PB6 I/O occurred since last clear. <p>Cleared by writing 1 in this bit</p> |
| Bit 5 | <p>WUF5: PB5 I/O wakeup flag.</p> <ul style="list-style-type: none"> • 0: No wakeup from PB5 I/O occurred since last clear • 1: A wakeup from PB5 I/O occurred since last clear. <p>Cleared by writing 1 in this bit</p> |
| Bit 4 | <p>WUF4: PB4 I/O wakeup flag.</p> <ul style="list-style-type: none"> • 0: No wakeup from PB4 I/O occurred since lastclear • 1: A wakeup from PB4 I/O occurred since last clear. <p>Cleared by writing 1 in this bit</p> |
| Bit 3 | <p>WUF3: PB3 I/O wakeup flag.</p> <ul style="list-style-type: none"> • 0: No wakeup from PB3 I/O occurred since last clear • 1: A wakeup from PB3 I/O occurred since last clear. <p>Cleared by writing 1 in this bit</p> |
| Bit 2 | <p>WUF2: PB2 I/O wakeup flag.</p> <ul style="list-style-type: none"> • 0: No wakeup from PB2 I/O occurred since last clear • 1: A wakeup from PB2 I/O occurred since last clear. <p>Cleared by writing 1 in this bit</p> |
| Bit 1 | <p>WUF1: PB1 I/O wakeup flag.</p> <ul style="list-style-type: none"> • 0: No wakeup from PB1 I/O occurred since last clear • 1: A wakeup from PB1 I/O occurred since last clear. <p>Cleared by writing 1 in this bit</p> |
| Bit 0 | <p>WUF0: PB0 I/O wakeup flag.</p> <ul style="list-style-type: none"> • 0: No wakeup from PB0 I/O occurred since last clear • 1: A wakeup from PB0 I/O occurred since last clear. <p>Cleared by writing 1 in this bit</p> |

5.7.6 Status register 2 (PWRC_SR2)

This register provides some status flags related to the power voltage detector and the SMPS blocks.

Address offset: 0x14

Reset value: 0x0000 -306

| | | | | | | | | | | | | | | | |
|----------------|------|------|------|------|------|------|--------|-----------------|------|------|------|----------|----------|-----------|------|
| 31 | 30 | 29 | 28 | 27 | 26 | 25 | 24 | 23 | 22 | 21 | 20 | 19 | 18 | 17 | 16 |
| Res. | Res. | Res. | Res. | Res. | Res. | Res. | Res. | Res. | Res. | Res. | Res. | Res. | Res. | Res. | Res. |
| 15 | 14 | 13 | 12 | 11 | 10 | 9 | 8 | 7 | 6 | 5 | 4 | 3 | 2 | 1 | 0 |
| IOBOOTVAL[3:0] | | | PVDO | | Res. | Res. | REGLPS | IOBOOTVAL2[3:0] | | | Res. | SMPS RDY | SMPSE NR | SMPSB YPR | |
| r | r | r | r | r | | | r | | | | | r | r | r | |

| | |
|------------|--|
| Bits 31:16 | Reserved, must be kept at reset value. |
| Bits 15:12 | <p>IOBOOTVAL: I/Os value latched at POR.</p> <ul style="list-style-type: none"> bit 3: PA11 input value latched at POR, bit 2: PA10 input value latched at POR, bit 1: PA9 input value latched at POR, bit 0: PA8 input value latched at POR. <p>Note: This information may be used by the boot loader to manage boot on serial interfaces for instance.</p> |
| Bit 11 | <p>PVDO: Power voltage detector output.</p> <p>When the power voltage detector is enabled (PWRC_CR2.PVDE=1), this bit indicates when the VDDIO is lower than the selected threshold (through PWRC_CR2.PVDLS bit field).</p> <ul style="list-style-type: none"> 0: The VDDIO is not lower than threshold or PVD feature is not enabled 1: The VDDIO is lower than the selected threshold |
| Bit 10:9 | Reserved, must be kept at reset value. |
| Bit 8 | <p>REGLPS: Low-power regulator ready status.</p> <ul style="list-style-type: none"> 0: The low-power regulator is not ready 1: The low-power regulator is ready |
| Bits 7:4 | <p>IOBOOTVAL2: I/Os value latched at POR.</p> <ul style="list-style-type: none"> bit 3: PB15 input value latched at POR bit 2: PB14 input value latched at POR bit 1: PB13 input value latched at POR bit 0: PB12 input value latched at POR <p>Note: This information may be used but the boot loader to manage boot on serial interfaces for instance.</p> |
| Bit 3 | Reserved, must be kept at reset value. |
| Bit 2 | <p>SMPSRDY: SMPS ready status.</p> <ul style="list-style-type: none"> 0: SMPS regulator is not ready 1: SMPS regulator is ready |
| Bit 1 | <p>SMPSENR: SMPS mode status.</p> <p>This bit mirrors the internal ENABLE_3V3 control signal connected to the SMPS and driven by the hardware.</p> <ul style="list-style-type: none"> 0: SMPS regulator is not regulating (in PRECHARGE or NOSMPS mode) 1: SMPS regulator is in mode |
| Bit 0 | <p>SMPSBYPR: SMPS PRECHARGE mode status.</p> <p>This bit mirrors the PRECHARGE control state of the SMPS.</p> <ul style="list-style-type: none"> 0: SMPS regulator is not in PRECHARGE mode |

| | |
|--|---|
| | • 1: SMPS regulator is in PRECHARGE mode (VSMPS connected to VDDIO) |
|--|---|

5.7.7 Control register 5 (PWRC_CR5)

This register is used to configure the SMPS.

Address offset: 0x1C

Reset value: 0x0000 6014

| | | | | | | | | | | | | | | | |
|------|-------------------------|------|-----------------|--------------|--------|----------|------------|------|------|-----------------|------|--------------|------|------|------|
| 31 | 30 | 29 | 28 | 27 | 26 | 25 | 24 | 23 | 22 | 21 | 20 | 19 | 18 | 17 | 16 |
| Res. | Res. | Res. | Res. | Res. | Res. | Res. | Res. | Res. | Res. | Res. | Res. | Res. | Res. | Res. | Res. |
| 15 | 14 | 13 | 12 | 11 | 10 | 9 | 8 | 7 | 6 | 5 | 4 | 3 | 2 | 1 | 0 |
| Res. | SMPS_PRECH_CUR_SEL[1:0] | | CLKDETR_DISABLE | SMPS_ENA_DCM | NOSMPS | SMPSFBYP | SMPSLPOPEN | Res. | Res. | SMPSBOMSEL[1:0] | | SMPSLVL[3:0] | | | |
| | rw | rw | rw | rw | rw | rw | rw | | | rw | rw | rw | rw | rw | rw |

| | |
|------------|--|
| Bits 31:15 | Reserved, must be kept at reset value. |
| Bits 14:13 | SMPS_PRECH_CUR_SEL[1:0] : Select SMPS PRECHARGE limit current. <ul style="list-style-type: none"> 00: 2.5 mA 01: 5 mA 10: 10 mA 11: 20 mA (default) |
| Bit 12 | CLKDETR_DISABLE : Disables the SMPS clock detection. The SMPS clock detection enables an automatic SMPS bypass switching in case of unexpected loss of the SMPS clock. <ul style="list-style-type: none"> 0: SMPS clock detection mechanism enabled (default) 1: SMPS clock detection mechanism disabled |
| Bit 11 | SMPS_ENA_DCM : Discontinuous conduction mode enable. <ul style="list-style-type: none"> 0: SMPS DCM is disabled (default) 1: SMPS DCM is enabled |
| Bit 10 | NOSMPS : No SMPS mode. <ul style="list-style-type: none"> 0: SMPS is enabled (default) 1: SMPS is disabled Note: This configuration (SMPS disabled) should be used only when the SMPS_FB pad is directly connected to the VBATT (external voltage), without L/C BOM. |
| Bit 9 | SMPSFBYP : Forces the SMPS in PRECHARGE mode. <ul style="list-style-type: none"> 0: No effect (default) 1: SMPS is disabled and bypassed Note: When this bit is set, the VSMPS output is connected to the VDDIO. The actual state of the SMPS is visible in the SMPS mode status bits in PWRC_SR2 register. |
| Bit 8 | SMPSLPOPEN : Select OPEN mode instead of PRECHARGE mode for the SMPS during Deepstop. <ul style="list-style-type: none"> 0: In Deepstop, the SMPS is in PRECHARGE mode with output connected to VDDIO (default) 1: In Deepstop, the SMPS is disabled with floating output |
| Bits 7:6 | Reserved, must be kept at reset value. |
| Bits 5:4 | SMPSBOMSEL[1:0] : Select the SMPS BOM. <ul style="list-style-type: none"> 00: BOM1 01: BOM2(default) 10: BOM3 11: Not applicable Note: BOM correspondence/details is available in Table 11. SMPS BOM information . |

| | |
|----------|--|
| Bits 3:0 | <p>SMPSLVL[3:0]: Select the SMPS output voltage level.</p> <p>This bit field selects the SMPS voltage output level with a granularity of about 50 mV. The SMPS output voltage level, V_{SMPS}, must be configured such that $V_{BAT} - V_{SMPS} \geq 0.2 \text{ V}$.</p> <p>[e.g. For $V_{BAT} = 2 \text{ V}$, V_{SMPS} must be no higher than 1.8 V]</p> <ul style="list-style-type: none"> • -0000: 1.2 V • -0001: 1.25 V • -0010: 1.3 V • -0011: 1.35 V • -0100: 1.4 V • -0101: 1.45 V • -0110: 1.5 V • -0111: 1.55 V • -1000: 1.6 V • -1001: 1.65 V • -1010: 1.7 V • -1011: 1.75 V • -1100: 1.8 V • -1101: 1.85 V • -1110: 1.9 V • -1111: 1.9 V <p>Warning: The SMPS output voltage must not be changed by more than one step while the SMPS is in use. The sequence to reprogram a new SMPS output voltage is described in Section 5.8.2: SMPS output level re-programming.</p> |
|----------|--|

5.7.8 I/O port A pull-up control register (PWRC_PUCRA)

This register is used to control the pull-up for the PA0 to PA15 I/O when the PWRC_CR1.APC bit is set.

Caution: If both pull-up and pull-down are enabled in the PWRC_PUCRA and PWRC_PDCRA registers for an I/O, then pull-down is applied.

The user must take care to disable the pull-on I/O programmed in analog mode.

Address offset: 0x20

Reset value: 0x0000 0F07

| | | | | | | | | | | | | | | | |
|------|------|------|------|-------|-------|------|------|------|------|------|------|------|------|------|------|
| 31 | 30 | 29 | 28 | 27 | 26 | 25 | 24 | 23 | 22 | 21 | 20 | 19 | 18 | 17 | 16 |
| Res. | Res. | Res. | Res. | Res. | Res. | Res. | Res. | Res. | Res. | Res. | Res. | Res. | Res. | Res. | Res. |
| 15 | 14 | 13 | 12 | 11 | 10 | 9 | 8 | 7 | 6 | 5 | 4 | 3 | 2 | 1 | 0 |
| Res. | Res. | Res. | Res. | PUA11 | PUA10 | PUA9 | PUA8 | Res. | Res. | Res. | Res. | PUA3 | PUA2 | PUA1 | PUA0 |
| | | | | rw | rw | rw | rw | | | | | rw | rw | rw | rw |

| | |
|------------|---|
| Bits 31:12 | Reserved, must be kept at reset value. |
| Bit 11 | PUA11: Pull-up enable for PA11 I/O. <ul style="list-style-type: none"> 0: No pull-up 1: Pull-up enabled (default) |
| Bit 10 | PUA10: Pull-up enable for PA10 I/O. <ul style="list-style-type: none"> 0: No pull-up 1: Pull-up enabled (default) |
| Bit 9 | PUA9: Pull-up enable for PA9 I/O. <ul style="list-style-type: none"> 0: No pull-up 1: Pull-up enabled (default) |
| Bit 8 | PUA8: Pull-up enable for PA8 I/O. <ul style="list-style-type: none"> 0: No pull-up 1: Pull-up enabled (default) |
| Bit 7:4 | Reserved, must be kept at reset value. |
| Bit 3 | PUA3: Pull-up enable for PA3 I/O. <ul style="list-style-type: none"> 0: No pull-up (default) 1: Pull-up enabled |
| Bit 2 | PUA2: Pull-up enable for PA2 I/O. <ul style="list-style-type: none"> 0: No pull-up 1: Pull-up enabled (default) |
| Bit 1 | PUA1: Pull-up enable for PA1 I/O. <ul style="list-style-type: none"> 0: No pull-up 1: Pull-up enabled (default) |
| Bit 0 | PUA0: Pull-up enable for PA0 I/O. <ul style="list-style-type: none"> 0: No pull-up 1: Pull-up enabled (default) |

5.7.9 I/O port A pull-down control register (PWRC_PDCRA)

This register is used to control the pull-down for the PA0 to PA15 I/O when the PWRC_CR1.APC bit is set.

Caution: If both pull-up and pull-down are enabled in the PWRC_PUCRA and PWRC_PDCRA registers for an I/O, then pull-down is applied.

The user must take care to disable the pull-on I/O programmed in analog mode.

Address offset: 0x24

Reset value: 0x0000 0008

| | | | | | | | | | | | | | | | |
|------|------|------|------|-------|-------|------|------|------|------|------|------|------|------|------|------|
| 31 | 30 | 29 | 28 | 27 | 26 | 25 | 24 | 23 | 22 | 21 | 20 | 19 | 18 | 17 | 16 |
| Res. | Res. | Res. | Res. | Res. | Res. | Res. | Res. | Res. | Res. | Res. | Res. | Res. | Res. | Res. | Res. |
| 15 | 14 | 13 | 12 | 11 | 10 | 9 | 8 | 7 | 6 | 5 | 4 | 3 | 2 | 1 | 0 |
| Res. | Res. | Res. | Res. | PDA11 | PDA10 | PDA9 | PDA8 | Res. | Res. | Res. | Res. | PDA3 | PDA2 | PDA1 | PDA0 |
| | | | | rw | rw | rw | rw | | | | | rw | rw | rw | rw |

| | |
|------------|---|
| Bits 31:12 | Reserved, must be kept at reset value. |
| Bit 11 | PDA11: Pull-down enable for PA11 I/O. <ul style="list-style-type: none"> 0: No pull-down (default) 1: Pull-down enabled |
| Bit 10 | PDA10: Pull-down enable for PA10 I/O. <ul style="list-style-type: none"> 0: No pull-down (default) 1: Pull-down enabled |
| Bit 9 | PDA9: Pull-down enable for PA9 I/O. <ul style="list-style-type: none"> 0: No pull-down (default) 1: Pull-down enabled |
| Bit 8 | PDA8: Pull-down enable for PA8 I/O. <ul style="list-style-type: none"> 0: No pull-down (default) 1: Pull-down enabled |
| Bit 7:4 | Reserved, must be kept at reset value. |
| Bit 3 | PDA3: Pull-down enable for PA3 I/O. <ul style="list-style-type: none"> 0: No pull-down 1: Pull-down enabled (default) |
| Bit 2 | PDA2: Pull-down enable for PA2 I/O. <ul style="list-style-type: none"> 0: No pull-down (default) 1: Pull-down enabled |
| Bit 1 | PDA1: Pull-down enable for PA1 I/O. <ul style="list-style-type: none"> 0: No pull-down (default) 1: Pull-down enabled |
| Bit 0 | PDA0: Pull-down enable for PA0 I/O. <ul style="list-style-type: none"> 0: No pull-down (default) 1: Pull-down enabled |

5.7.10 I/O port B pull-up control register (PWRC_PUCRB)

This register is used to control the pull-up for the PB0 to PB15 I/O when the PWRC_CR1.APC bit is set.

Caution: If both pull-up and pull-down are enabled in the PWRC_PUCRA and PWRC_PDCRA registers for an I/O, then pull-down is applied.

The user must take care to disable the pull-on I/O programmed in analog mode.

Address offset: 0x28

Reset value: 0x0000 F0FF

| | | | | | | | | | | | | | | | |
|-------|-------|-------|-------|------|------|------|------|------|------|------|------|------|------|------|------|
| 31 | 30 | 29 | 28 | 27 | 26 | 25 | 24 | 23 | 22 | 21 | 20 | 19 | 18 | 17 | 16 |
| Res. | Res. | Res. | Res. | Res. | Res. | Res. | Res. | Res. | Res. | Res. | Res. | Res. | Res. | Res. | Res. |
| 15 | 14 | 13 | 12 | 11 | 10 | 9 | 8 | 7 | 6 | 5 | 4 | 3 | 2 | 1 | 0 |
| PUB15 | PUB14 | PUB13 | PUB12 | Res. | Res. | Res. | Res. | PUB7 | PUB6 | PUB5 | PUB4 | PUB3 | PUB2 | PUB1 | PUB0 |
| rw | rw | rw | rw | | | | | rw | rw | rw | rw | rw | rw | rw | rw |

| | |
|------------|---|
| Bits 31:16 | Reserved, must be kept at reset value. |
| Bit 15 | PUB15: Pull-up enable for PB15 I/O. <ul style="list-style-type: none"> 0: No pull-up 1: Pull-up enabled (default) |
| Bit 14 | PUB14: Pull-up enable for PB14 I/O. <ul style="list-style-type: none"> 0: No pull-up 1: Pull-up enabled (default) |
| Bit 13 | PUB13: Pull-up enable for PB13 I/O. <ul style="list-style-type: none"> 0: No pull-up 1: Pull-up enabled (default) |
| Bit 12 | PUB12: Pull-up enable for PB12 I/O. <ul style="list-style-type: none"> 0: No pull-up 1: Pull-up enabled (default) |
| Bit 11:8 | PUB11: Reserved, must be kept at reset value |
| Bit 7 | PUB7: Pull-up enable for PB7 I/O. <ul style="list-style-type: none"> 0: No pull-up 1: Pull-up enabled (default) |
| Bit 6 | PUB6: Pull-up enable for PB6 I/O. <ul style="list-style-type: none"> 0: No pull-up 1: Pull-up enabled (default) |
| Bit 5 | PUB5: Pull-up enable for PB5 I/O. <ul style="list-style-type: none"> 0: No pull-up 1: Pull-up enabled (default) |
| Bit 4 | PUB4: Pull-up enable for PB4 I/O. <ul style="list-style-type: none"> 0: No pull-up 1: Pull-up enabled (default) |
| Bit 3 | PUB3: Pull-up enable for PB3 I/O. <ul style="list-style-type: none"> 0: No pull-up 1: Pull-up enabled (default) |
| Bit 2 | PUB2: Pull-up enable for PB2 I/O. <ul style="list-style-type: none"> 0: No pull-up 1: Pull-up enabled (default) |
| Bit 1 | PUB1: Pull-up enable for PB1 I/O. <ul style="list-style-type: none"> 0: No pull-up 1: Pull-up enabled (default) |

| | |
|-------|---|
| Bit 0 | PUB0: Pull-up enable for PB0 I/O. <ul style="list-style-type: none">• 0: No pull-up• 1: Pull-up enabled (default) |
|-------|---|

5.7.11 I/O port B pull-down control register (PWRC_PDCRB)

This register is used to control the pull-down for the PB0 to PB15 I/O when the PWRC_CR1.APC bit is set.

Caution: If both pull-up and pull-down are enabled in the PWRC_PUCRA and PWRC_PDCRA registers for an I/O, then pull-down is applied.

The user must take care to disable the pull-on I/O programmed in Analog mode.

Address offset: 0x2C

Reset value: 0x0000 F0FF

| | | | | | | | | | | | | | | | |
|-------|-------|-------|-------|------|------|------|------|------|------|------|------|------|------|------|------|
| 31 | 30 | 29 | 28 | 27 | 26 | 25 | 24 | 23 | 22 | 21 | 20 | 19 | 18 | 17 | 16 |
| Res. | Res. | Res. | Res. | Res. | Res. | Res. | Res. | Res. | Res. | Res. | Res. | Res. | Res. | Res. | Res. |
| 15 | 14 | 13 | 12 | 11 | 10 | 9 | 8 | 7 | 6 | 5 | 4 | 3 | 2 | 1 | 0 |
| PDB15 | PDB14 | PDB13 | PDB12 | Res. | Res. | Res. | Res. | PDB7 | PDB6 | PDB5 | PDB4 | PDB3 | PDB2 | PDB1 | PDB0 |
| rw | rw | rw | rw | | | | | rw | rw | rw | rw | rw | rw | rw | rw |

| | |
|------------|---|
| Bits 31:16 | Reserved, must be kept at reset value. |
| Bit 15 | PDB15: Pull-down enable for PB15 I/O. <ul style="list-style-type: none"> 0: No pull-down (default) 1: Pull-down enabled |
| Bit 14 | PDB14: Pull-down enable for PB14 I/O. <ul style="list-style-type: none"> 0: No pull-down (default) 1: Pull-down enabled |
| Bit 13 | PDB13: Pull-down enable for PB13 I/O. <ul style="list-style-type: none"> 0: No pull-down (default) 1: Pull-down enabled |
| Bit 12 | PDB12: Pull-down enable for PB12 I/O. <ul style="list-style-type: none"> 0: No pull-down (default) 1: Pull-down enabled |
| Bit 11:8 | Reserved, must be kept at reset value |
| Bit 7 | PDB7: Pull-down enable for PB7 I/O. <ul style="list-style-type: none"> 0: No pull-down (default) 1: Pull-down enabled |
| Bit 6 | PDB6: Pull-down enable for PB6 I/O. <ul style="list-style-type: none"> 0: No pull-down (default) 1: Pull-down enabled |
| Bit 5 | PDB5: Pull-down enable for PB5 I/O. <ul style="list-style-type: none"> 0: No pull-down (default) 1: Pull-down enabled |
| Bit 4 | PDB4: Pull-down enable for PB4 I/O. <ul style="list-style-type: none"> 0: No pull-down (default) 1: Pull-down enabled |
| Bit 3 | PDB3: Pull-down enable for PB3 I/O. <ul style="list-style-type: none"> 0: No pull-down (default) 1: Pull-down enabled |
| Bit 2 | PDB2: Pull-down enable for PB2 I/O. <ul style="list-style-type: none"> 0: No pull-down (default) 1: Pull-down enabled |
| Bit 1 | PDB1: Pull-down enable for PB1 I/O. <ul style="list-style-type: none"> 0: No pull-down (default) 1: Pull-down enabled |

| | |
|-------|---|
| Bit 0 | PDB0: Pull-down enable for PB0 I/O. <ul style="list-style-type: none">• 0: No pull-down (default)• 1: Pull-down enabled |
|-------|---|

5.7.12 Control register 6 (PWRC_CR6)

This register manages the selection of the wakeup sources to get out of Deepstop mode.

Note: All wakeup sources are disabled by default after reset.

Address offset: 0x30

Reset value: 0x0000 0000

| | | | | | | | | | | | | | | | |
|------|------|------|------|------|------|------|------|-------|-------|-------|-------|-------|-------|-------|-------|
| 31 | 30 | 29 | 28 | 27 | 26 | 25 | 24 | 23 | 22 | 21 | 20 | 19 | 18 | 17 | 16 |
| Res. | Res. | Res. | Res. | Res. | Res. | Res. | Res. | Res. | Res. | Res. | Res. | Res. | Res. | Res. | Res. |
| 15 | 14 | 13 | 12 | 11 | 10 | 9 | 8 | 7 | 6 | 5 | 4 | 3 | 2 | 1 | 0 |
| Res. | Res. | Res. | Res. | Res. | Res. | Res. | Res. | EWU19 | EWU18 | EWU17 | EWU16 | EWU15 | EWU14 | EWU13 | EWU12 |
| | | | | | | | | rw | rw | rw | rw | rw | rw | rw | rw |

| | |
|-----------|--|
| Bits 31:8 | Reserved, must be kept at reset value. |
| Bit 7 | EWU19: Enable wakeup on PB15 I/O event. <ul style="list-style-type: none"> 0: wakeup on PB15 I/O line is disabled (default) 1: wakeup on PB15 I/O line is enabled |
| Bit 6 | EWU18: Enable wakeup on PB14 I/O event. <ul style="list-style-type: none"> 0: Wakeup on PB14 I/O line is disabled (default) 1: Wakeup on PB14 I/O line is enabled |
| Bit 5 | EWU17: Enable wakeup on PB13 I/O event. <ul style="list-style-type: none"> 0: Wakeup on PB13 I/O line is disabled (default) 1: Wakeup on PB13 I/O line is enabled |
| Bit 4 | EWU16: Enable wakeup on PB12 I/O event. <ul style="list-style-type: none"> 0: Wakeup on PB12 I/O line is disabled (default) 1: Wakeup on PB12 I/O line is enabled |
| Bit 3 | EWU15: Enable wakeup on PA3 I/O event. <ul style="list-style-type: none"> 0: Wakeup on PA3 I/O line is disabled (default) 1: Wakeup on PA3 I/O line is enabled |
| Bit 2 | EWU14: Enable wakeup on PA2 I/O event. <ul style="list-style-type: none"> 0: Wakeup on PA2 I/O line is disabled (default) 1: Wakeup on PA2 I/O line is enabled |
| Bit 1 | EWU13: Enable wakeup on PA1 I/O event. <ul style="list-style-type: none"> 0: Wakeup on PA1 I/O line is disabled (default) 1: Wakeup on PA1 I/O line is enabled |
| Bit 0 | EWU12: Enable wakeup on PA0 I/O event. <ul style="list-style-type: none"> 0: Wakeup on PA0 I/O line is disabled (default) 1: Wakeup on PA0 I/O line is enabled |

5.7.13 Control register 7 (PWRC_CR7)

This register manages the polarity for the I/Os wakeup sources to get out of Deepstop mode.

Note: The wakeup events are only edge detection, not level detection.

Address offset: 0x34

Reset value: 0x0000 0000

| | | | | | | | | | | | | | | | |
|------|------|------|------|------|------|------|------|-------|-------|-------|-------|-------|-------|-------|-------|
| 31 | 30 | 29 | 28 | 27 | 26 | 25 | 24 | 23 | 22 | 21 | 20 | 19 | 18 | 17 | 16 |
| Res. | Res. | Res. | Res. | Res. | Res. | Res. | Res. | Res. | Res. | Res. | Res. | Res. | Res. | Res. | Res. |
| 15 | 14 | 13 | 12 | 11 | 10 | 9 | 8 | 7 | 6 | 5 | 4 | 3 | 2 | 1 | 0 |
| Res. | Res. | Res. | Res. | Res. | Res. | Res. | Res. | WUP19 | WUP18 | WUP17 | WUP16 | WUP15 | WUP14 | WUP13 | WUP12 |
| | | | | | | | | rw | rw | rw | rw | rw | rw | rw | rw |

| | |
|-----------|--|
| Bits 31:8 | Reserved, must be kept at reset value. |
| Bit 7 | WUP19: wakeup polarity for PB15 IO event. <ul style="list-style-type: none"> 0: Detection of wakeup event on rising edge (default) 1: Detection of wakeup event on falling edge |
| Bit 6 | WUP18: wakeup polarity for PB14 IO event. <ul style="list-style-type: none"> 0: Detection of wakeup event on rising edge (default) 1: Detection of wakeup event on falling edge |
| Bit 5 | WUP17: wakeup polarity for PB13 IO event. <ul style="list-style-type: none"> 0: Detection of wakeup event on rising edge (default) 1: Detection of wakeup event on falling edge |
| Bit 4 | WUP16: wakeup polarity for PB12 IO event. <ul style="list-style-type: none"> 0: Detection of wakeup event on rising edge (default) 1: Detection of wakeup event on falling edge |
| Bit 3 | WUP15: wakeup polarity for PA3 IO event. <ul style="list-style-type: none"> 0: Detection of wakeup event on rising edge (default) 1: Detection of wakeup event on falling edge |
| Bit 2 | WUP14: wakeup polarity for PA2 IO event. <ul style="list-style-type: none"> 0: Detection of wakeup event on rising edge (default) 1: Detection of wakeup event on falling edge |
| Bit 1 | WUP13: wakeup polarity for PA1 IO event. <ul style="list-style-type: none"> 0: Detection of wakeup event on rising edge (default) 1: Detection of wakeup event on falling edge |
| Bit 0 | WUP12: wakeup polarity for PA0 IO event. <ul style="list-style-type: none"> 0: Detection of wakeup event on rising edge (default) 1: Detection of wakeup event on falling edge |

5.7.14 Status register 3(PWRC_SR3)

This register provides some information about which source woke up the device after a Deepstop.

Address offset: 0x38

Reset value: 0x0000 0000

| | | | | | | | | | | | | | | | |
|------|------|------|------|------|------|------|------|-------|-------|-------|-------|-------|-------|-------|-------|
| 31 | 30 | 29 | 28 | 27 | 26 | 25 | 24 | 23 | 22 | 21 | 20 | 19 | 18 | 17 | 16 |
| Res. | Res. | Res. | Res. | Res. | Res. | Res. | Res. | Res. | Res. | Res. | Res. | Res. | Res. | Res. | Res. |
| 15 | 14 | 13 | 12 | 11 | 10 | 9 | 8 | 7 | 6 | 5 | 4 | 3 | 2 | 1 | 0 |
| Res. | Res. | Res. | Res. | Res. | Res. | Res. | Res. | WUF19 | WUF18 | WUF17 | WUF16 | WUF15 | WUF14 | WUF13 | WUF12 |
| | | | | | | | | rc_w1 | rc_w1 | rc_w1 | rc_w1 | rc_w1 | rc_w1 | rc_w1 | rc_w1 |

| | |
|-----------|--|
| Bits 31:8 | Reserved, must be kept at reset value. |
| Bit 7 | WUF19: PB15 I/O wakeup flag. <ul style="list-style-type: none"> 0: No wakeup from PB15 I/O occurred since last clear 1: A wakeup from PB15 I/O occurred since last clear. Cleared by writing 1 in this bit |
| Bit 6 | WUF18: PB14 I/O wakeup flag. <ul style="list-style-type: none"> 0: No wakeup from PB14 I/O occurred since last clear 1: A wakeup from PB14 I/O occurred since last clear. Cleared by writing 1 in this bit |
| Bit 5 | WUF17: PB13 I/O wakeup flag. <ul style="list-style-type: none"> 0: No wakeup from PB13 I/O occurred since last clear 1: A wakeup from PB13 I/O occurred since last clear. Cleared by writing 1 in this bit |
| Bit 4 | WUF16: PB12 I/O wakeup flag. <ul style="list-style-type: none"> 0: No wakeup from PB12 I/O occurred since last clear 1: A wakeup from PB12 I/O occurred since last clear. Cleared by writing 1 in this bit |
| Bit 3 | WUF15: PA3 I/O wakeup flag. <ul style="list-style-type: none"> 0: No wakeup from PA3 I/O occurred since last clear 1: A wakeup from PA3 I/O occurred since last clear. Cleared by writing 1 in this bit |
| Bit 2 | WUF14: PA2 I/O wakeup flag. <ul style="list-style-type: none"> 0: No wakeup from PA2 I/O occurred since last clear 1: A wakeup from PA2 I/O occurred since last clear. Cleared by writing 1 in this bit |
| Bit 1 | WUF13: PA1 I/O wakeup flag. <ul style="list-style-type: none"> 0: No wakeup from PA1 I/O occurred since last clear 1: A wakeup from PA1 I/O occurred since last clear. Cleared by writing 1 in this bit |
| Bit 0 | WUF12: PA0 I/O wakeup flag. <ul style="list-style-type: none"> 0: No wakeup from PA0 I/O occurred since last clear 1: A wakeup from PA0 I/O occurred since last clear. Cleared by writing 1 in this bit |

5.7.15 Debug register (PWRC_DBGR)

This register is used for debug features.

Address offset: 0x84

Reset value: 0x0000 0000

| | | | | | | | | | | | | | | | |
|----------------|------|------|------|------|------|------|------|------|------|------|------|------|------|------|-----------|
| 31 | 30 | 29 | 28 | 27 | 26 | 25 | 24 | 23 | 22 | 21 | 20 | 19 | 18 | 17 | 16 |
| Res. | Res. | Res. | Res. | Res. | Res. | Res. | Res. | Res. | Res. | Res. | Res. | Res. | Res. | Res. | Res. |
| 15 | 14 | 13 | 12 | 11 | 10 | 9 | 8 | 7 | 6 | 5 | 4 | 3 | 2 | 1 | 0 |
| DIS_PRECH[2:0] | | | Res. | Res. | Res. | Res. | Res. | Res. | Res. | Res. | Res. | Res. | Res. | Res. | DEEPSTOP2 |
| rw | rw | rw | | | | | | | | | | | | | rw |

| | |
|------------|---|
| Bits 31:16 | Reserved, must be kept at reset value. |
| Bits 15:13 | Bits 15:13 DIS_PRECH[2:0] : disable SMPS PRECHARGE during Deepstop (debug only). <ul style="list-style-type: none"> • 111: PRECHARGE and SMPS monitoring disabled • 101: PRECHARGE enabled only at Deepstop exit (PWRC_CR5.SMPSSLPOPEN must be set) • others values: Deepstop PRECHARGE enabled |
| Bits 12:1 | Reserved, must be kept at reset value |
| Bit 0 | DEEPSTOP2 : DEEPSTOP2 low-power saving emulation enable. <ul style="list-style-type: none"> • 0: Normal Deepstop is applied • 1: DEEPSTOP2 (debugger features not lost) is applied instead of Deepstop |

5.7.16 Extended status and reset register (PWRC_EXTSRR)

This register provides flags about Bluetooth activity start and Deepstop sequence occurrence or not.

Address offset: 0x88

Reset value: 0x0000 0000

| | | | | | | | | | | | | | | | |
|------|------|------|------|------|-----------|-----------|------|------|------|------|------|------|------|------|------|
| 31 | 30 | 29 | 28 | 27 | 26 | 25 | 24 | 23 | 22 | 21 | 20 | 19 | 18 | 17 | 16 |
| Res. | Res. | Res. | Res. | Res. | Res. | Res. | Res. | Res. | Res. | Res. | Res. | Res. | Res. | Res. | Res. |
| 15 | 14 | 13 | 12 | 11 | 10 | 9 | 8 | 7 | 6 | 5 | 4 | 3 | 2 | 1 | 0 |
| Res. | Res. | Res. | Res. | Res. | RFPHA SEF | DEEPSTOPF | Res. | Res. | Res. | Res. | Res. | Res. | Res. | Res. | Res. |
| | | | | | rc_w1 | rc_w1 | | | | | | | | | |

| | |
|------------|---|
| Bits 31:11 | Reserved, must be kept at reset value. |
| Bit 10 | <p>RFPHASEF: RFPHASE Flag.</p> <ul style="list-style-type: none"> • 0: The BLE IP does not require any attention • 1: The BLE IP is awake and may require a system attention. <p>This bit is set by hardware when a radio wakeup event occurs</p> <p>This bit is reset by hardware when the BLE IP raises the “ready to sleep” information.</p> <p>The software can reset this bit by writing 1 in it.</p> |
| Bit 9 | <p>DEEPSTOPF: System Deepstop Flag.</p> <ul style="list-style-type: none"> • 0: The device did not enter Deepstop mode • 1: The device entered a Deepstop mode <p>This bit is set by hardware when a Deepstop sequence occurred. The software can reset this bit by writing 1 in it.</p> |
| Bits 8:0 | Reserved, must be kept at reset value. |

5.7.17 PWRC register map

Refer to Table 3. STM32WB05xZ memory map and peripheral register boundary addresses for the PWRC base address location in the STM32WB05xZ.

Note: All the PWRC registers are retained during Deepstop mode. The grey cells indicate the bit fields located in the VDD33 power domain. This implies the associated feature is applied even during Shutdown state (but are lost at Shutdown mode exit as a PORESETn is generated).

Table 12. PWRC register map

| Offset | Register | 31 | 30 | 29 | 28 | 27 | 26 | 25 | 24 | 23 | 22 | 21 | 20 | 19 | 18 | 17 | 16 | 15 | 14 | 13 | 12 | 11 | 10 | 9 | 8 | 7 | 6 | 5 | 4 | 3 | 2 | 1 | 0 |
|--------|-------------|------|------|------|------|------|------|------|------|------|------|------|------|------|------|------|------|------|-------|-----------|-------|-------|-------|------|------|------|------|---------|---------------|---------------|-------|----------|------|
| 0x00 | PWRC_CR1 | Res. | Res. | Res. | Res. | Res. | Res. | Res. | Res. | Res. | Res. | Res. | Res. | Res. | Res. | Res. | Res. | Res. | Res. | Res. | Res. | Res. | Res. | Res. | Res. | Res. | Res. | APC | IBIAS_RUN_STA | IBIAS_RUN_AUT | 0 | ENSDNBOR | LPMS |
| | Reset value | | | | | | | | | | | | | | | | | | | | | | | | | | | | 1 | | | 0 | 0 |
| 0x04 | PWRC_CR2 | Res. | Res. | Res. | Res. | Res. | Res. | Res. | Res. | Res. | Res. | Res. | Res. | Res. | Res. | Res. | Res. | Res. | Res. | Res. | Res. | Res. | Res. | Res. | Res. | Res. | Res. | RAMRET1 | DBGRET | | PVDLS | | PVDE |
| | Reset value | | | | | | | | | | | | | | | | | | | | | | | 0 | | | | | | | | | |
| 0x08 | PWRC_CR3 | Res. | Res. | Res. | Res. | Res. | Res. | Res. | Res. | Res. | Res. | Res. | Res. | Res. | Res. | Res. | Res. | EIWL | EIWL2 | EWBLEHCPU | EWBLE | EWU11 | EWU10 | EWU9 | EWU8 | EWU7 | EWU6 | EWU5 | EWU4 | EWU3 | EWU2 | EWU1 | EWU0 |
| | Reset value | | | | | | | | | | | | | | | | | 0 | 0 | 0 | 0 | 0 | 0 | 0 | 0 | 0 | 0 | 0 | 0 | 0 | 0 | 0 | 0 |
| 0x0C | PWRC_CR4 | Res. | Res. | Res. | Res. | Res. | Res. | Res. | Res. | Res. | Res. | Res. | Res. | Res. | Res. | Res. | Res. | Res. | Res. | Res. | Res. | WUP11 | WUP10 | WUP9 | WUP8 | WUP7 | WUP6 | WUP5 | WUP4 | WUP3 | WUP2 | WUP1 | WUP0 |
| | Reset value | | | | | | | | | | | | | | | | | | | | | 0 | 0 | 0 | 0 | 0 | 0 | 0 | 0 | 0 | 0 | 0 | 0 |



| Offset | Register | 31 | 30 | 29 | 28 | 27 | 26 | 25 | 24 | 23 | 22 | 21 | 20 | 19 | 18 | 17 | 16 | 15 | 14 | 13 | 12 | 11 | 10 | 9 | 8 | 7 | 6 | 5 | 4 | 3 | 2 | 1 | 0 |
|--------|-------------|------|------|------|------|------|------|------|------|------|------|------|------|------|------|------|------|------|------|-------------------------|-----------------|---------------|--------|----------|-----------|--------|-----------------|-----------------|------|------|--------------|---------|----------|
| 0x10 | PWRC_SR1 | Res. | Res. | Res. | Res. | Res. | Res. | Res. | Res. | Res. | Res. | Res. | Res. | Res. | Res. | Res. | Res. | Res. | Res. | WBLEHCPUF | WBLEF | WUF11 | WUF10 | WUF9 | WUF8 | WUF7 | WUF6 | WUF5 | WUF4 | WUF3 | WUF2 | WUF1 | WUF0 |
| | Reset value | | | | | | | | | | | | | | | | | 0 | | 0 | 0 | 0 | 0 | 0 | 0 | 0 | 0 | 0 | 0 | 0 | 0 | 0 | 0 |
| 0x14 | PWRC_SR2 | Res. | Res. | Res. | Res. | Res. | Res. | Res. | Res. | Res. | Res. | Res. | Res. | Res. | Res. | Res. | Res. | | | IOBOOTVAL[3:0] | | | PVDO | Res. | Res. | REGLPS | IOBOOTVAL2(3:0) | | | Res. | SMPSRDY | SMPSENR | SMPSBYPR |
| | Reset value | | | | | | | | | | | | | | | | | | | | | | 0 | 1 | 1 | | | | | 1 | 1 | 0 | |
| 0x18 | Reserved | | | | | | | | | | | | | | | | | | | | | | | | | | | | | | | | |
| 0x1C | PWRC_CR5 | Res. | Res. | Res. | Res. | Res. | Res. | Res. | Res. | Res. | Res. | Res. | Res. | Res. | Res. | Res. | Res. | Res. | Res. | SMPS_PRECH_CUR_SEL(1:0) | CLKDETR_DISABLE | SMPS_ENA_DC_M | NOSMPS | SMPSFBYP | SMPSLPOEN | Res. | Res. | SMPSBOMSEL[1:0] | | | SMPSLVL[3:0] | | |
| | Reset value | | | | | | | | | | | | | | | | | | | 1 | 1 | 0 | 0 | 0 | 0 | | | 0 | 1 | 0 | 1 | 0 | 0 |
| 0x20 | PWRC_PUCRA | Res. | Res. | Res. | Res. | Res. | Res. | Res. | Res. | Res. | Res. | Res. | Res. | Res. | Res. | Res. | Res. | Res. | Res. | Res. | Res. | PUA11 | PUA10 | PUA9 | PUA8 | Res. | Res. | Res. | Res. | PUA3 | PUA2 | PUA1 | PUA0 |
| | Reset value | | | | | | | | | | | | | | | | | | | | | | 1 | 1 | 1 | 1 | 1 | 1 | 1 | 1 | 1 | 1 | 1 |
| 0x24 | PWRC_PDCRA | Res. | Res. | Res. | Res. | Res. | Res. | Res. | Res. | Res. | Res. | Res. | Res. | Res. | Res. | Res. | Res. | Res. | Res. | Res. | Res. | PDA11 | PDA10 | PDA9 | PDA8 | Res. | Res. | Res. | Res. | PDA3 | PDA2 | PDA1 | PDA0 |
| | Reset value | | | | | | | | | | | | | | | | | | | | | 0 | 0 | 0 | 0 | | | | | 1 | 0 | 0 | 0 |



| Offset | Register | 31 | 30 | 29 | 28 | 27 | 26 | 25 | 24 | 23 | 22 | 21 | 20 | 19 | 18 | 17 | 16 | 15 | 14 | 13 | 12 | 11 | 10 | 9 | 8 | 7 | 6 | 5 | 4 | 3 | 2 | 1 | 0 |
|-----------|-------------|------|------|------|------|------|------|------|------|------|------|------|------|------|------|------|------|-------|-------|-------|-------|------|------|------|------|-------|-------|-------|-------|-------|-------|-------|-------|
| 0x28 | PWRC_PUCRB | Res. | Res. | Res. | Res. | Res. | Res. | Res. | Res. | Res. | Res. | Res. | Res. | Res. | Res. | Res. | Res. | PUB15 | PUB14 | PUB13 | PUB12 | Res. | Res. | Res. | Res. | PUB7 | PUB6 | PUB5 | PUB4 | PUB3 | PUB2 | PUB1 | PUB0 |
| | Reset value | | | | | | | | | | | | | | | | | 1 | 1 | 1 | 1 | | | | | 1 | 1 | 1 | 1 | 1 | 1 | 1 | 1 |
| 0x2C | PWRC_PDCRB | Res. | Res. | Res. | Res. | Res. | Res. | Res. | Res. | Res. | Res. | Res. | Res. | Res. | Res. | Res. | Res. | PDB15 | PDB14 | PDB13 | PDB12 | Res. | Res. | Res. | Res. | PDB7 | PDB6 | PDB5 | PDB4 | PDB3 | PDB2 | PDB1 | PDB0 |
| | Reset value | | | | | | | | | | | | | | | | | 0 | 0 | 0 | 0 | | | | | 0 | 0 | 0 | 0 | 0 | 0 | 0 | 0 |
| 0x30 | PWRC_CR6 | Res. | Res. | Res. | Res. | Res. | Res. | Res. | Res. | Res. | Res. | Res. | Res. | Res. | Res. | Res. | Res. | Res. | Res. | Res. | Res. | Res. | Res. | Res. | Res. | EWU19 | EWU18 | EWU17 | EWU16 | EWU15 | EWU14 | EWU13 | EWU12 |
| | Reset value | | | | | | | | | | | | | | | | | | | | | | | | | 0 | 0 | 0 | 0 | 0 | 0 | 0 | 0 |
| 0x34 | PWRC_CR7 | Res. | Res. | Res. | Res. | Res. | Res. | Res. | Res. | Res. | Res. | Res. | Res. | Res. | Res. | Res. | Res. | Res. | Res. | Res. | Res. | Res. | Res. | Res. | Res. | WUP19 | WUP18 | WUP17 | WUP16 | WUP15 | WUP14 | WUP13 | WUP12 |
| | Reset value | | | | | | | | | | | | | | | | | | | | | | | | | 0 | 0 | 0 | 0 | 0 | 0 | 0 | 0 |
| 0x38 | PWRC_SR3 | Res. | Res. | Res. | Res. | Res. | Res. | Res. | Res. | Res. | Res. | Res. | Res. | Res. | Res. | Res. | Res. | Res. | Res. | Res. | Res. | Res. | Res. | Res. | Res. | WUF19 | WUF18 | WUF17 | WUF16 | WUF15 | WUF14 | WUF13 | WUF12 |
| | Reset value | | | | | | | | | | | | | | | | | | | | | | | | | 0 | 0 | 0 | 0 | 0 | 0 | 0 | 0 |
| 0x3C-0x80 | Reserved | | | | | | | | | | | | | | | | | | | | | | | | | | | | | | | | |



| Offset | Register | 31 | 30 | 29 | 28 | 27 | 26 | 25 | 24 | 23 | 22 | 21 | 20 | 19 | 18 | 17 | 16 | 15 | 14 | 13 | 12 | 11 | 10 | 9 | 8 | 7 | 6 | 5 | 4 | 3 | 2 | 1 | 0 |
|--------|-------------|------|------|------|------|------|------|------|------|------|------|------|------|------|------|------|------|--------------|------|------|------|------|----------|-----------|------|------|------|------|------|------|------|------|-----------|
| 0x84 | PWRC_DBGR | Res. | Res. | Res. | Res. | Res. | Res. | Res. | Res. | Res. | Res. | Res. | Res. | Res. | Res. | Res. | Res. | DIS_PRE(2:0) | | | Res. | Res. | Res. | Res. | Res. | Res. | Res. | Res. | Res. | Res. | Res. | Res. | DEEPSTOP2 |
| | Reset value | | | | | | | | | | | | | | | | | 0 | 0 | 0 | | | | | | | | | | | | | 0 |
| 0x88 | PWRC_EXTSRR | Res. | Res. | Res. | Res. | Res. | Res. | Res. | Res. | Res. | Res. | Res. | Res. | Res. | Res. | Res. | Res. | Res. | Res. | Res. | Res. | Res. | RFPHASEF | DEEPSTOPF | Res. | Res. | Res. | Res. | Res. | Res. | Res. | Res. | Res. |
| | Reset value | | | | | | | | | | | | | | | | | | | | | | 0 | 0 | | | | | | | | | |

5.8 Programmer model

5.8.1 Reset reason management

The CPU has many reasons to be reset and executes its reset handler. [Table 13. Flags versus CPU reboot reason](#) provides an overview of the flags that can help the embedded software to get the root cause of the CPU reset.

Table 13. Flags versus CPU reboot reason

| | RCC_CSR | | | | | PWRC_ISCR (in SYSCFG) | PWRC_EXT_SRR |
|----------------------------------|------------|---------|---------|---------|---------|-----------------------|--------------|
| | LOCKUPRSTF | WDGRSTF | SFTRSTF | PORRSTF | PADRSTF | WAKEUP_ISC | DEEPSTOPF |
| POR/BOR reset | - | - | - | 1 | 1 | - | - |
| NRSTn pad reset | - | - | - | - | 1 | - | - |
| Watchdog reset | - | 1 | - | - | 1 | - | - |
| System reset (CPU request) | - | - | 1 | - | 1 | - | - |
| LOCKUP reset | 1 | - | - | - | 1 | - | - |
| Deepstop exit on wakeup event | - | - | - | - | - | 1 | 1 |
| Deepstop exit on watchdog reset | - | 1 | - | - | 1 | - | - |
| Deepstop exit on NRSTn pad reset | - | - | - | - | 1 | - | - |
| Deepstop exit on POR/BOR | - | - | - | 1 | 1 | - | - |
| Shutdown exit | - | - | - | 1 | 1 | - | - |

If the reboot reason is a wakeup from Deepstop, then the wakeup source(s) can be read in the PWRC_SR1 register as shown in [Table 14. Wakeup reason flags](#).

Table 14. Wakeup reason flags

| | PWRC_SR1 | | | | |
|--------------------------------------|----------|------|-----------|-------|------|
| | IWUF2 | IWUF | WBLEHCPUF | WBLEF | WUFx |
| Wakeup on BLE event | - | - | - | 1 | - |
| Wakeup on Host timer in MR_BLE event | - | - | 1 | - | - |
| Wakeup on RTC event | - | 1 | - | - | - |
| Wakeup on LPUART event | 1 | - | - | - | - |
| Wakeup on I/Os | - | - | - | - | 1 |

Note: *If several (enabled) wakeup events occur, several bits are high in the PWRC_SR1. The wakeup flags are set as soon as a wakeup event (enabled in PWRC_CR3 register) occurs; the associated flag is set in the PWRC_SR1 register even if the device is in active mode or in the sleep exit sequence (initiated by another wakeup source).*

Caution: *Those flags have to be cleared by software knowing a Deepstop entry sequence cannot happen if a wakeup flag is already active when the system requests a Deepstop mode.*

5.8.2 SMPS output level re-programming

The SMPS output voltage cannot be modified on-the-fly when the SMPS is in use for more than one step. When the software needs to re-program the SMPS output voltage to another value, the following sequence must be respected:

- Set PWRC_CR5.SMPSBYP =1
- Wait for PWRC_SR2.SMPSRDY =0
- Program the new targeted value in PWRC_CR5.SMPSLVL[3:0]
- Clear PWRC_CR5.SMPSBYP =0
- Wait for PWRC_SR2.SMPSRDY =1

Caution: This sequence must be launched when no radio activity only / RF transfer is on-going.

6 Reset and clock controller (RCC)

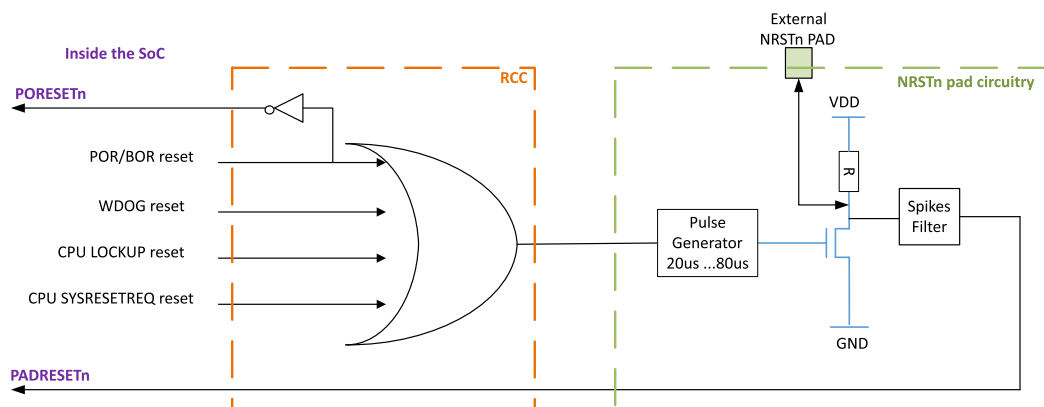
The RCC block manages the clock and reset generation for all the peripherals of the STM32WB05xZ.

6.1 Reset management

6.1.1 General description

Figure 12. Reset generation shows the general principle of reset generation.

Figure 12. Reset generation



Note: The system reset information is output on the NRSTn pad to inform the external world and reset other elements on the board if needed.

Two different resets are available in the design:

- PORESETn: this reset is provided by the LPMU analog block and corresponds to a POR or BOR root cause. It is linked to power voltage ramp-up or ramp-down. The PORESETn reset impacts all the resources of the device.

Note: A Shutdown exit is equivalent to a POR/BOR situation and generates a PORESETn.

- PADRESETn (aka system reset): this reset is built through several sources:
 - PORESETn
 - the watchdog reset
 - the CPU LOCKUP reset
 - the CPU software system reset
 - the NRSTn external pad

Note: The system reset is called PADRESETn as when an internal reset source is activated (watchdog, software, etc.), the NRSTn pad toggles to inform the external world a reset occurs.

This system reset resets all the resources of the device except:

- Debug features (SWD, test registers...)
- Flash controller key management part
- RTC timer
- Power controller (PWRC)
- Part of the RCC registers

The pulse generator guarantees a minimum reset pulse duration of 20 μ s for each internal reset source. In case of reset from the NRSTn external pad, the reset pulse is generated when the pad is asserted low.

6.1.2 Power reset

The PORESETn signal is active when the power supply of the device is below a threshold value or when the regulator does not provide the target voltage. The PORESETn resets all the resources of the device.

6.1.3 Watchdog reset

The STM32WB05xZ device embeds a watchdog timer which may be used to recover from software crashes. See [Section 20: Independent watchdog \(IWDG\)](#) for details about watchdog usage and programming.

6.1.4 LOCKUP reset

The Cortex-M0+ generates a LOCKUP to indicate the core is in the lock-up state resulting from an unrecoverable exception. The LOCKUP reset is masked if a debugger is connected to the Cortex-M0+. The user can use the SWD to reset or recover the code in this case.

6.1.5 System reset request

The system reset request is generated by the debug circuitry of the Cortex-M0+. The debugger sets the SYSRESETREQ bit of the application interrupt and reset control register (AIRCR). This system reset request through the AIRCR can also be done by the embedded software (in hard fault handler for instance). For more details on the Cortex-M0+ system control and ID registers, refer to section B3.2.2 of the "ARMv6-M Architecture" reference manual.

6.1.6 Deepstop exit

The low-power Deepstop state leads to switching off a part of the 1.2 V (power domain called V12i), while keeping the rest of the 1.2 V at 1 V (power domain called V12o) and the 3.3 V (VDDIO).

When the device exits the Deepstop mode, only the V12i power domain is reset as it is the only power domain that lost the power supply.

6.2 Clock management

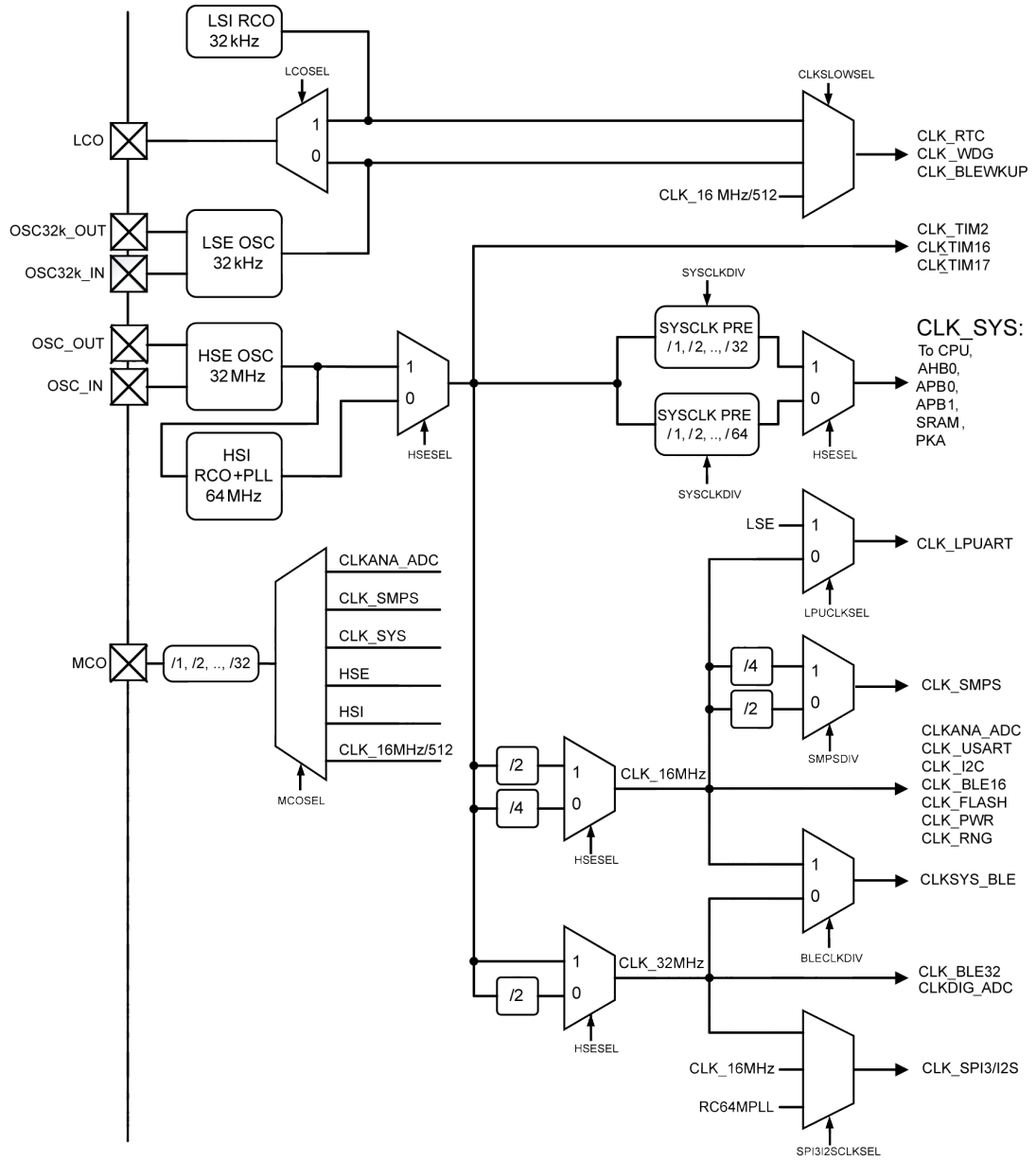
Three different clock sources may be used to drive the system clock (CLK_SYS) in the STM32WB05xZ:

- HSI: high speed internal 64 MHz RC oscillator (provided by the RC64MPLL analog block)
- PLL64M: 64 MHz PLL clock (provided by the RC64MPLL analog block)
- HSE (high speed external):
 - high speed 32 MHz external crystal
 - or provided by a single-ended 32 MHz input instead of a crystal.

The STM32WB05xZ has also a slow frequency clock tree used by some timers (RTC, watchdog, LPUART and MR_BLE radio timer). Four different clock sources can be used for this slow clock tree:

- LSI: low speed low drift internal RC with a fixed frequency between 24 kHz and 49 kHz depending on the sample. It is called 32 kHz clock inside this document to simplify.
- LSE:
 - 32.768 kHz low speed external crystal.
 - or provided by a single-ended 32.768 kHz input instead of a crystal.
- The always 16 MHz clock divided by 512 (not available for LPUART). In this case, the slow clock is not available in Deepstop low-power mode

[Figure 13. Clock tree generation](#) provides an overview of the clock tree in the STM32WB05xZ.

Figure 13. Clock tree generation


6.2.1 System clock details

The HSI and the PLL64M clocks are provided by the same analog block called RC64MPLL. The 64 MHz clock output by this block can be:

- a non accurate clock (target is 1% typical) when no external XO provides an input clock to this block
- an accurate clock when the external XO provides the 32 MHz and once its internal PLL is locked

Note: *The usage of PLL64M or HSE as clock source is mandatory for Bluetooth radio operations (need of a high accuracy on the clock).*

The software process to switch the system on the accurate clock is indicated in [Section 6.7: Programmer model](#). This fast clock source is used to generate all the fast clocks of the device through dividers as shown in [Figure 13. Clock tree generation](#).

After reset, the CLK_SYS is divided by four to provide a 16 MHz to the whole system (CPU, DMA, memories and peripherals).

Then the software can program another system clock frequency in the following list:

- 1 MHz (forbidden when radio or ADC is in use)

- 2 MHz (forbidden when radio or ADC is in use)
- 4 MHz (forbidden when radio or ADC is in use)
- 8 MHz (forbidden when radio is in use)
- 16 MHz
- 32 MHz
- 64 MHz

Note: Forbidden configuration means that the “in use” feature cannot work if the system clock runs at this frequency. Special care must be taken when programming the CLK_SYS as some constraints need to be respected: CLK_SYS frequency must be greater or equal to CLK_SYS_BLE.

6.2.2 Peripheral clock details

This fast clock source is also used to generate several internal fast clocks in the system:

- A TIM2, TIM16/17 kernel clock that is the maximum reachable frequency of the system (64 MHz in RC64MPLL configuration and 32 MHz in HSE configurations)
- An always 32 MHz requested by few peripherals such as: the MR_BLE radio IP for instance
- An always 16 MHz requested by few peripherals like serial interfaces (to maintain fixed baud rate while system clock is switching from one frequency to another) or like Flash controller and MR_BLE radio IP (to have a fixed reference clock to manage delays).

Most of the peripherals use the system clock only (CLK_SYS) except:

- I2C, USART:
 - In parallel with the system clock, they use an always 16 MHz clock to have a fixed reference clock for baud rate management. The goal is to allow the CPU to boost or slow down the system clock (depending on on-going activities) without impacting a potential on-going serial interface transfer on external I/Os.
- LPUART:
 - In parallel with the system clock, it uses an always 16 MHz clock to have a fixed reference clock for baud rate management and LSE clock when active in Deepstop. The goal is to allow the CPU to boost or slow down the system clock (depending on on-going activities) without impacting a potential on-going serial interface transfer on external I/Os.
- SPI:
 - When using the I²S mode, the baud rate is managed through the always 16 MHz, always 32 MHz clock or 64 MHz clock (available only when HSESEL=0).

Note: The CPU/system clock frequency must be equal or slower than the I²S clock frequency.

- When running in modes other than the I²S, the baud rate is managed by the system clock. This implies the baud rate is impacted by dynamic system clock frequency changes.
- RNG:
 - In parallel with the system clock, the RNG uses an always 16 MHz clock to generate at a constant frequency the random number whatever the system clock frequency.
- Flash controller:
 - In parallel with the system clock, the Flash controller uses an always 16 MHz clock to generate specific delays required by the Flash memory during programming and erase operation for instance.
- MR_BLE IP:
 - MR_BLE IP does not use directly the system clock for its APB / AHB interfaces but the system clock with a potential divider (1 or 2 or 4). [Table 15. CPU versus MR_BLE clock dependency](#) shows the supported configurations.
 - In parallel with the CLK_SYS_BLE, the MR_BLE uses an always 16 MHz and an always 32 MHz for modulator, demodulator and to have a fixed reference clock to manage specific delays.

Table 15. CPU versus MR_BLE clock dependency

| CLK_SYS | CLK_SYS_BLE |
|-------------------------------|---|
| 1 MHz / 2 MHz / 4 MHz / 8 MHz | Not possible to use MR_BLE IP |
| 16 MHz | 16 MHz (CLKBLEDIV = 4) |
| 32 MHz | <ul style="list-style-type: none"> • 16 MHz (CLKBLEDIV = 4) • or 32 MHz (CLKBLEDIV = 2) |
| 64 MHz | <ul style="list-style-type: none"> • 16 MHz (CLKBLEDIV = 4) • or 32 MHz (CLKBLEDIV = 2) |

- ADC
 - In parallel with the system clock, the ADC uses a 64 MHz prescaled clock (called CLKANA_ADC) running at 16 MHz.

Note: When the ADC is used, the system clock must run at minimum 8 Mhz to be able to read the ADC sample before they are overloaded by a new sample.

Note: To avoid SNR degradation of the ADC, SMPS and ADC clocks must be synchronous.

6.2.3 Slow clock frequency details

As explained at the beginning of the clock management sub-section, four different clock sources can be used for this slow clock tree:

- LSI: low speed low drift internal RC with a fixed frequency between 24 kHz and 49 kHz depending on the sample. It is called 32 kHz clock inside this document to simplify.
- LSE: 32.768 kHz low speed external crystal (or single-ended input frequency).

Note: If the external oscillator is used, the PB12/PB13 I/Os are automatically connected to this feature when RCC_CR.LSEON bit is set (GPIO_MODERX configuration is overloaded).

Caution: If APC bit is set, the user has to disable the PUB12/PUB13/PDB12/PDB13 bits on PB12/PB13 by software I/O Port B pull-up control register (PWRC_PUCRB) to have the feature working well. Otherwise, if APC is reset, the pull-up, pull-down of PB12/13 are automatically configured.

- An always 32 kHz clock equal to HSI/2048 if HSESEL='0' or else HSE/1024. In this case, the slow clock is not available in Deepstop low-power mode

Only one source at a time drives the whole low speed clock tree.

Note: By default after a PORESETn, all low speed sources are OFF. After a PADRESETn, the slow clock configuration is the one programmed before the PADRESETn.

The slow clock activation and selection are relevant during the Deepstop low-power mode and at wakeup as they clock the timers involved in wakeup events generation.

Note: If LSI configuration is used, the software must measure the slow clock frequency to know the associated period that is used by the timers. A slow clock measurement feature is available in the MR_BLE IP.

6.3 System frequency switch while MR_BLE is used

The CPU/system clock frequency can be from 1 MHz to 64 MHz while the MR_BLE clock frequency can be 16 MHz or 32 MHz.

When the radio is used on the device, the system clock frequency selection must respect some rules:

- the system clock frequency must be 16 MHz, 32 MHz or 64 MHz and greater than or equal to the MR_BLE frequency. Other options make the radio not functional.
- changing the frequency of the system must be done through the RCC_CSCMDR register mechanism to avoid any risk of crashing the radio scenarios.

This proper system frequency switch is managed through the collaboration of several blocks:

- the RCC (see Section 6.6.5: Clock switch command register (RCC_CSCMDR))
- the AHBUPCONV and the AHBDOWNCONV blocks (see Section 3: AHB up/down converter)

Using this safe mechanism, the software requests a system clock frequency change and is informed by the hardware when the new frequency is really in place through a status bit (see Section 6.6.5: Clock switch command register (RCC_CSCMDR)) and an associated interrupt line on the CPU (see Section 2.3.2: Interrupts).

The software sequence is described in [Section 6.7.3: Changing the system clock frequency while the MR_BLE is enabled](#).

6.4 Clock observation on external pad

It is possible to output some internal clocks on external pads:

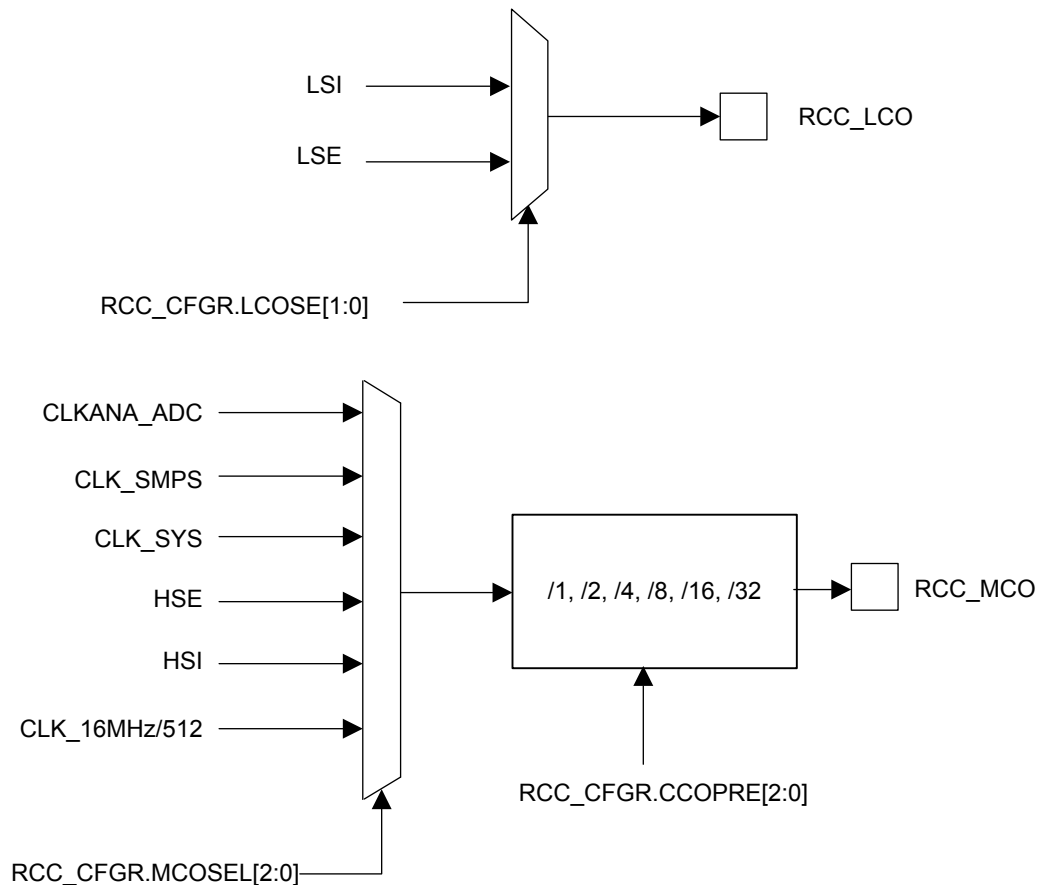
- the low speed clocks can be output on the RCC_LCO I/O
- the high speed clocks can be output on the RCC_MCO I/O

This is possible by programming the associated I/O in the good alternate function (see [Table 7. GPIO alternate options AF0, AF1 and AF2 modes and Table 8. GPIOs AF3, AF4 and AF6 modes](#)).

The selection of the clock to output for each I/O is programmable through an RCC register (see [Section 6.6: RCC registers](#) for more details).

Figure 14. [RCC_LCO / RCC_MCO output clocks](#) shows the possible configurations to output an internal clock.

Figure 14. RCC_LCO / RCC_MCO output clocks



DT56431V1

6.5 Miscellaneous

6.5.1 IO BOOSTER

Some analog switches are used to select the analog VINM/P pair input signals to be used by the ADC.

An IO BOOSTER block has been added to boost the voltage on the command of those analog switches when the VBAT goes below a threshold (2.7 V) to guarantee the good behavior of those switches. This block has to be enabled by the software when needed through RCC_CFGR.IOBOOSTEN bit.

6.6 RCC registers

Refer to [Table 3. STM32WB05xZ memory map and peripheral register boundary addresses](#) for the RCC base address location in the STM32WB05xZ.

6.6.1 Clock source control register (RCC_CR)

This register controls the enable on the different clock sources (low and high speed).

Note: The control bits linked to high speed clock source are reset on PADRESETn. The control bits linked to slow speed clock source are reset on PORESETn only (identified by the table footnote). As this register is in V12o power domain, its content is not modified after a wakeup from Deepstop and system clock is restored with configuration present before Deepstop mode entry.

Address offset: 0x00

Reset value: 0x0000 1400

| | | | | | | | | | | | | | | | |
|------|------------|-----------|--------------|------|--------|-------------------|------|------|--------|--------|-------|--------|-------|--------|-------|
| 31 | 30 | 29 | 28 | 27 | 26 | 25 | 24 | 23 | 22 | 21 | 20 | 19 | 18 | 17 | 16 |
| Res. | Res. | Res. | Res. | Res. | Res. | Res. | Res. | Res. | Res. | Res. | Res. | Res. | Res. | HSERDY | HSEON |
| | | | | | | | | | | | | | | r | rw |
| 15 | 14 | 13 | 12 | 11 | 10 | 9 | 8 | 7 | 6 | 5 | 4 | 3 | 2 | 1 | 0 |
| Res. | HSIPLL RDY | HSIPLL ON | HSEPL LBUFON | Res. | HSIRDY | LOCKDET_NST OP | | | LSEBYP | LSERDY | LSEON | LSIRDY | LSION | Res. | Res. |
| | r | rw | rw | | r | rw | rw | rw | rw | r | rw | r | rw | | |

| | |
|------------|--|
| Bits 31:18 | Reserved, must be kept at reset value. |
| Bit 17 | HSERDY: External high speed clock flag. This bit is set by hardware to indicate that HSE oscillator (32 MHz XO) is stable. <ul style="list-style-type: none"> 0: HSE oscillator is not ready 1: HSE oscillator is ready |
| Bit 16 | HSEON: External high speed clock enable. The software has to set the bit to start the XO 32 MHz and clear the bit to stop it. <ul style="list-style-type: none"> 0: HSE oscillator is OFF 1: HSE oscillator is ON |
| Bit 15 | Reserved, must be kept at reset value. |
| Bit 14 | HSIPLLRDY: Internal high speed clock PLL flag. This bit is set by hardware to indicate that the RC64MPLL pll is locked. <ul style="list-style-type: none"> 0: RC64MPLL pull is unlocked 1: RC64MPLL pull is locked |
| Bit 13 | HSIPLLON: Internal high speed clock PLL enable. The software has to set the bit to request an RC64MPLL lock on HSE and clear the bit to stop it. <ul style="list-style-type: none"> 0: RC64MPLL PLL is OFF 1: RC64MPLL PLL is ON |
| Bit 12 | HSEPL LBUFON: External high speed clock buffer for PLL RF2G4 enable. The software has to set the bit when the radio is used (to have the 2.4 GHz PLL working). |

| | |
|-------------------------|---|
| | <ul style="list-style-type: none"> 0: HSE PLL RF2G4 buffer is OFF 1: HSE PLL RF2G4 buffer is ON <p>Warning: This bit must be set when the radio is used. The only reason to clear this bit would be to reduce power consumption for application not using the radio on this device.</p> |
| Bit 11 | Reserved, must be kept at reset value. |
| Bit 10 | <p>HSIRDY: Internal high speed clock flag.</p> <p>This bit is set by hardware to indicate that internal 64 MHz RC is stable.</p> <ul style="list-style-type: none"> 0: Internal 64 MHz RC is not ready 1: Internal 64 MHz RC is ready |
| Bits 9:7 | <p>LOCKDET_NSTOP: Defines a time window target for the counter of the lock detector block in charge to manage the HSIPLLRDY information (PLL indicated as locked if the analog lock signal stays high and stable during this time window).</p> <p>The formula to define the time window target is the following: time window target = (LOCKDET_NSTOP + 1) x 64.</p> |
| Bit 6 ⁽¹⁾⁽²⁾ | <p>LSEBYP: External low speed clock bypass.</p> <p>This bit needs to be set when the slow clock is directly provided through RCC_OSC32_IN pin.</p> <ul style="list-style-type: none"> 0: No LSE oscillator bypass 1: LSE oscillator bypass is enabled |
| Bit 5 ⁽¹⁾ | <p>LSERDY: External low speed clock flag.</p> <p>This bit is set by hardware to indicate that the slow clock has started.</p> <ul style="list-style-type: none"> 0: LSE oscillator is not ready 1: LSE oscillator is ready <p>Note: This status bit is true whatever the chosen configuration (external 32 kHz oscillator == LSEON or external clock provided on RCC_OSC32_IN = LSEBYP).</p> |
| Bit 4 ⁽¹⁾⁽²⁾ | <p>LSEON: External low speed clock enable.</p> <p>The software has to set the bit to start the XO 32 kHz and clear the bit to stop it.</p> <ul style="list-style-type: none"> 0: LSE oscillator is OFF 1: LSE oscillator is ON |
| Bit 3 ⁽¹⁾ | <p>LSIRDY: Internal low speed clock flag.</p> <p>This bit is set by hardware to indicate that internal low speed RC is stable.</p> <ul style="list-style-type: none"> 0: Internal low speed RC is not ready 1: Internal low speed RC is ready |
| Bit 2 ⁽¹⁾ | <p>LSION: Internal low speed RC clock enable.</p> <p>The software has to set the bit to start the internal slow clock RO and clear the bit to stop it.</p> <ul style="list-style-type: none"> 0: LSI RC is OFF 1: LSI RC is ON |
| Bits 1:0 | Reserved, must be kept at reset value. |

1. This bit is reset on PORESETn and when the low speed clock is disabled at runtime.
2. The LSEBYP and LSEON bits must not be used at the same time. If the user decides to dynamically change the slow clock source between external XO and clock injection on RCC_OSC32_IN, they have to ensure both LSEON and LSEBYP are low at a time to reset the LSERDY flag.

6.6.2 Clocks configuration register (RCC_CFGR)

Note: The control bits linked to high speed clock source are reset on PADRESETn. The control bits linked to slow speed clock source are reset on PORESETn only (identified by the table footnote).

Address offset: 0x08

Reset value: 0x0000 0240

| | | | | | | | | | | | | | | | |
|---------------|------|-----------|-------------|------|---------------------------|-------------|----|--------------------|----|------|------|-------------------|------------|-----------|---------------|
| 31 | 30 | 29 | 28 | 27 | 26 | 25 | 24 | 23 | 22 | 21 | 20 | 19 | 18 | 17 | 16 |
| CCOPRE[2:0] | | | MCOSEL[2:0] | | | LCOSEL[1:0] | | SPI3I2SCLKSEL[1:0] | | Res. | Res. | LCOEN | OBOOSTCKEN | IOBOOSTEN | CLKSLOWSEL[1] |
| rw | rw | rw | rw | rw | rw | rw | rw | rw | rw | | | rw | rw | rw | rw |
| 15 | 14 | 13 | 12 | 11 | 10 | 9 | 8 | 7 | 6 | 5 | 4 | 3 | 2 | 1 | 0 |
| CLKSLOWSEL[0] | Res. | LPUCLKSEL | SMPSDIV | Res. | CLKSYSDIV_ST ATUS[2:0] | | | CLKSYSDIV[2:0] | | | Res. | HSESEL_STATU S | STOPHSI | HSESEL | Res. |
| rw | | rw | rw | | r | r | r | rw | rw | rw | | 3 | rw | rw | |

| | |
|---------------------------|--|
| Bits 31:29 | <p>CCOPRE: Configurable clock output prescaler.</p> <ul style="list-style-type: none"> 000: CCO clock is divided by 1 001: CCO clock is divided by 2 010: CCO clock is divided by 4 011: CCO clock is divided by 8 100: CCO clock is divided by 16 101: CCO clock is divided by 32 others: Reserved <p>Note: Glitches propagation possible if CCOPRE[2:0] value is modified while RCC_MCO output is enabled on the IO.</p> |
| Bits 28:26 | <p>MCOSEL: Main configurable clock output selection.</p> <ul style="list-style-type: none"> 000: RCC_MCO output disabled. No clock on RCC_MCO pad 001: system clock 010: Reserved 011: HSI_64M = RC64MPLL block output clock (can be internal 64 MHz or PLL 64 MHz accuracy) 100: HSE (external 32 MHz oscillator) 101: HSI_64M divided by 2048 clock 110: SMPS clock 111: ADC clock <p>Note: Glitches propagation possible if MCOSEL[2:0] value is modified while RCC_MCO output is enabled on the IO.</p> |
| Bits 25:24 ⁽¹⁾ | <p>LCOSEL: Low speed configurable clock output selection.</p> <ul style="list-style-type: none"> 00: RCC_LCO output disabled. No clock on RCC_LCO pad 01: not used 10: LSI (internal slow clock RC) clock 11: LSE (external 32 kHz) <p>Note: Glitches propagation possible if LCOSEL[1:0] value is modified while RCC_LCO output is enabled on the IO.</p> |
| Bit 23:22 | <p>SPI3I2SCLKSEL[1:0]: Selection of I²S clock for SPI3 IP.</p> <ul style="list-style-type: none"> 00: 16 MHz peripheral clock (default) 01: 32 MHz peripheral clock |

| | |
|---------------------------|---|
| | <ul style="list-style-type: none"> 1x: 64 MHz peripheral clock (available only when HSESEL=0) <p>Note: The I²S clock frequency must be higher or equal to the system clock (configured through RCC_CFGR.CLKSYSDIV[2:0] bit field).</p> |
| Bits 21:20 | Reserved, must be kept at reset value. |
| Bit 19 ⁽¹⁾ | <p>LCOEN: RCC_LCO enable on PA10 also in deepstop.</p> <ul style="list-style-type: none"> 0: RCC_LCO output on PA10 is disabled 1: RCC_LCO output on PA10 is enabled |
| Bit 18 | <p>IOBOOSTCKEN: IO BOOSTER clock enable (see Section 6.5.1: IO BOOSTER for details).</p> <ul style="list-style-type: none"> 0: IO BOOSTER block does not use RCC clock 1: IO BOOSTER block uses RCC clock |
| Bit 17 | <p>IOBOOSTEN: IO BOOSTER enable (see Section 6.5.1: IO BOOSTER for details).</p> <ul style="list-style-type: none"> 0: IO BOOSTER block is disabled 1: IO BOOSTER block is enabled. |
| Bits 16:15 ⁽¹⁾ | <p>CLKSLOWSEL: Low speed clock source selection.</p> <ul style="list-style-type: none"> 00: not used 01: LSE (external oscillator). This source can be kept during Deepstop mode 10: LSI (internal RC). This source can be kept during Deepstop mode 11: always 16 MHz divided by 512 <p>Note: No glitch mechanism has been added so glitches may appear on slow clock when the user changes its source.</p> |
| Bit 14 | Reserved, must be kept at reset value. |
| Bit 13 ⁽¹⁾ | <p>LPUCLKSEL: Selection of LPUART clock</p> <ul style="list-style-type: none"> 0: 16 MHz peripheral clock (default) 1: LSE clock |
| Bit 12 | <p>SMPSDIV: SMPS clock prescaling factor.</p> <ul style="list-style-type: none"> 0: SMPS clock is 8 MHz 1: SMPS clock is 4 MHz |
| Bit 11 | Reserved, must be kept at reset value. |
| Bit 10:8 | <p>CLKSYSDIV_STATUS: system clock frequency status. Set and cleared by hardware to indicate the actual system clock frequency. This register must be read to be sure that the new frequency, selected by CLKSYSDIV, has been applied.</p> <ul style="list-style-type: none"> 000: system clock frequency is 64 MHz 001: system clock frequency is 32 MHz 010: system clock frequency is 16 MHz 011: system clock frequency is 8 MHz 100: system clock frequency is 4 MHz 101: system clock frequency is 2 MHz 110: system clock frequency is 1 MHz 111: not used. <p>The current clock frequency switching can be delayed of up to 128 system clock cycles, depending on the RCC internal counter status at the moment the new CLKSYSDIV is applied.</p> |
| Bits 7:5 | <p>CLKSYSDIV: System clock divided factor from HSI_64M.</p> <ul style="list-style-type: none"> 000: System clock frequency is 64 MHz (not available when HSESEL=1) 001: System clock frequency is 32 MHz 010: System clock frequency is 16 MHz 011: System clock frequency is 8 MHz* 100: System clock frequency is 4 MHz* 101: System clock frequency is 2 MHz* 110: System clock frequency is 1 MHz* 111: not used <p>*: If RCC_APB2ENR.MRBLEEN bit is set, writing in CLKSYSDIV one of those values is replaced by a 010b = 16 MHz writing at hardware level.</p> <p>Warning:</p> |

| | |
|-------|--|
| | <ul style="list-style-type: none"> If the software programs the 64 MHz frequency target while the RCC_CFGR.HSESEL=1, the hardware switches the system clock tree on HSI64MPLL again (and restarts HSIPLL64M analog block if RCC_CFGR.STOPHSI=1). To switch the system frequency between 64 / 32 / 16 MHz without risk when the MR_BLE is used, prefer the RCC_CSCMDR register to change the system frequency. the MR_BLE frequency must always be equal or less than the CPU/system clock to have functional radio. |
| Bit 4 | Reserved, must be kept at reset value. |
| Bit 3 | HSESEL_STATUS: Clock source selection status. <ul style="list-style-type: none"> 0: RC64MPLL clock source is selected (default) 1: Direct HSE clock source is selected |
| Bit 2 | STOPHSI: RC64MPLL clock source stop request <ul style="list-style-type: none"> 0: RC64MPLL is enabled (default) 1: RC64MPLL disable requested <p>Note: If the CLKSYSDIV (from RCC_CFGR or RCC_CSCMDR registers) selects the 64 MHz frequency, the hardware automatically restarts the RC64MPLL block and switches on the RC64MPLL clock source.</p> |
| Bit 1 | HSESEL: Clock source selection request. <ul style="list-style-type: none"> 0: RC64MPLL clock source is requested (default) <p>In this case, the fast clock tree is sourced by the RC64MPLL block. The clock can be either the HSI or the PLL64M if the HSI PLL is locked.</p> <ul style="list-style-type: none"> 1: Direct HSE clock source is requested <p>In this case, the RC64MPLL block is not used and the maximum available frequency for the system clock tree is 32 MHz.</p> |
| Bit 0 | Reserved, must be kept at reset value. |

1. This bit is reset on PORESETn only.

6.6.3 Clock interrupt enable register (RCC_CIER)

This register controls the enable on interrupt sources.

This register is reset on PADRESETn.

Address offset: 0x18

Reset value: 0x0000 0000

| | | | | | | | | | | | | | | | |
|------|------|------|------|------|------|----------|----------|---------|-----------------------|-------------|----------|----------|------|----------|----------|
| 31 | 30 | 29 | 28 | 27 | 26 | 25 | 24 | 23 | 22 | 21 | 20 | 19 | 18 | 17 | 16 |
| Res. | Res. | Res. | Res. | Res. | Res. | Res. | Res. | Res. | Res. | Res. | Res. | Res. | Res. | Res. | Res. |
| 15 | 14 | 13 | 12 | 11 | 10 | 9 | 8 | 7 | 6 | 5 | 4 | 3 | 2 | 1 | 0 |
| Res. | Res. | Res. | Res. | Res. | Res. | LPURSTIE | WDGRSTIE | RTCSTIE | HSIPLLUNLOCK DETIE | HSIPLLRDYIE | HSERDYIE | HSIRDYIE | Res. | LSERDYIE | LSIRDYIE |
| | | | | | | rw | rw | rw | rw | rw | rw | rw | | rw | rw |

| | |
|------------|---|
| Bits 31:10 | Reserved, must be kept at reset value. |
| Bit 9 | LPURSTIE : LPUART reset release interrupt enable. <ul style="list-style-type: none"> 0: LPUART reset release interrupt is disabled 1: LPUART reset release interrupt is enabled |
| Bit 8 | WDGRSTIE : Watchdog reset release interrupt enable. <ul style="list-style-type: none"> 0: Watchdog reset release interrupt is disabled 1: Watchdog reset release interrupt is enabled |
| Bit 7 | RTCSTIE : RTC reset release interrupt enable. <ul style="list-style-type: none"> 0: RTC reset release interrupt is disabled 1: RTC reset release interrupt is enabled |
| Bit 6 | HSIPLLUNLOCKDETIE : HSI PLL unlock detection interrupt enable. <ul style="list-style-type: none"> 0: HSI PLL unlocked detection interrupt is disabled 1: HSI PLL unlocked detection is enabled |
| Bit 5 | HSIPLLRDYIE : HSI PLL ready interrupt enable. <ul style="list-style-type: none"> 0: HSI PLL locked interrupt is disabled 1: HSI PLL locked interrupt is enabled |
| Bit 4 | HSERDYIE : HSE ready interrupt enable. <ul style="list-style-type: none"> 0: HSE ready interrupt is disabled 1: HSE ready interrupt is enabled |
| Bit 3 | HSIRDYIE : HSI ready interrupt enable. <ul style="list-style-type: none"> 0: HSI ready interrupt is disabled 1: HSI ready interrupt is enabled |
| Bit 2 | Reserved, must be kept at reset value. |
| Bit 1 | LSERDYIE : LSE ready interrupt enable. <ul style="list-style-type: none"> 0: LSE ready interrupt is disabled 1: LSE ready interrupt is enabled |
| Bit 0 | LSIRDYIE : LSI ready interrupt enable. <ul style="list-style-type: none"> 0: LSI ready interrupt is disabled 1: LSI ready interrupt is enabled |

6.6.4 Clock interrupt flag register (RCC_CIFR)

This register provides the status flag linked to clock source ready state or not. It is also used to clear the flags.

This register is reset on PADRESETn.

Address offset: 0x1C

Reset value: 0x0000 0008

| | | | | | | | | | | | | | | | |
|------|------|------|------|------|------|---------|---------|--------|----------------------|------------|---------|---------|------|---------|---------|
| 31 | 30 | 29 | 28 | 27 | 26 | 25 | 24 | 23 | 22 | 21 | 20 | 19 | 18 | 17 | 16 |
| Res. | Res. | Res. | Res. | Res. | Res. | Res. | Res. | Res. | Res. | Res. | Res. | Res. | Res. | Res. | Res. |
| 15 | 14 | 13 | 12 | 11 | 10 | 9 | 8 | 7 | 6 | 5 | 4 | 3 | 2 | 1 | 0 |
| Res. | Res. | Res. | Res. | Res. | Res. | LPURSTF | WDGRSTF | RTCSTF | HSIPLLUNLOCK DETF | HSIPLLRDYF | HSERDYF | HSIRDYF | Res. | LSERDYF | LSIRDYF |
| | | | | | | rc_w1 | rc_w1 | rc_w1 | rc_w1 | rc_w1 | rc_w1 | rc_w1 | | rc_w1 | rc_w1 |

| | |
|---------------|---|
| Bits 31:10 | Reserved, must be kept at reset value. |
| Bit 9 | <p>LPURSTF: LPUART reset release flag.</p> <ul style="list-style-type: none"> 0: no LPUART reset release event occurred 1: LPUART reset release event occurred. Cleared by writing 1 in this bit <p>Note: due to asynchronism slow clock/fast clock management, when the software request to release the LPUART reset by writing in the RCC_APB0RSTR.LPUARTRST, the reset release is effective only 2 slow clock periods or 2 16 MHz clock periods after the APB writing, depending on how it's configured LPUCLKSEL bit in Clocks Configuration register (RCC_CFGR). This interrupt allows the software to be informed when the reset release is really done. Note: this flag is also set after any PORESETn.</p> |
| Bit 8 | <p>WDGRSTF: Watchdog reset release flag.</p> <ul style="list-style-type: none"> 0: No watchdog reset release event occurred 1: Watchdog reset release event occurred Cleared by writing 1 in this bit. <p>Note: Due to asynchronism slow clock/fast clock management, when the software request to release the Watchdog reset by writing in the RCC_APB0RSTR.WDGRST, the reset release is effective only 2 slow clock periods after the APB writing. This interrupt allows informing the software when the reset release is really done.</p> <p>Note: This flag is also set after any PORESETn.</p> |
| Bit 7 | <p>RTCSTF: RTC reset release flag.</p> <ul style="list-style-type: none"> 0: No RTC reset release event occurred 1: RTC reset release event occurred. Cleared by writing 1 in this bit <p>Note: Due to asynchronism slow clock/fast clock management, when the software request to release the RTC reset by writing in the RCC_APB0RSTR.RTCRST, the reset release is effective only 2 slow clock periods after the APB writing. This interrupt allows informing the software when the reset release is really done.</p> <p>Note: This flag is also set after any PORESETn.</p> |
| Bit 6 | <p>HSIPLLUNLOCKDETF: HSI PLL unlock detection flag.</p> <ul style="list-style-type: none"> 0: No HSI PLL unlock event occurred 1: HSI PLL unlock event occurred. Cleared by writing 1 in this bit |
| Bit 5 | <p>HSIPLLRDYF: HSI PLL ready flag.</p> <ul style="list-style-type: none"> 0: No HSI PLL locked event occurred 1: HSI PLL locked event occurred. Cleared by writing 1 in this bit |
| Bit 4 | <p>HSERDYF: HSE ready flag.</p> <ul style="list-style-type: none"> 0: No HSE ready event occurred 1: HSE ready event occurred. Cleared by writing 1 in this bit |
| Bit 3 | <p>HSIRDYF: HSI ready flag.</p> <ul style="list-style-type: none"> 0: No HSI ready event occurred |

| | |
|-------|--|
| | <ul style="list-style-type: none"> 1: HSI ready event occurred. Cleared by writing 1 in this bit |
| Bit 2 | Reserved, must be kept at reset value. |
| Bit 1 | LSERDYF : LSE ready flag. <ul style="list-style-type: none"> 0: No LSE ready event occurred 1: LSE ready event occurred. Cleared by writing 1 in this bit |
| Bit 0 | LSIRDYF : LSI ready flag. <ul style="list-style-type: none"> 0: No LSI ready event occurred 1: LSI ready event occurred. Cleared by writing 1 in this bit |

6.6.5 Clock switch command register (RCC_CSCMDR)

This register allows switching the CPU / system clock frequency safely while the MR_BLE is active.

Requesting a frequency clock switch holds the AHB/APB transfers between the MR_BLE and the rest of the system to execute safely the clock switching and release AHB / APB transfers as soon as the new frequency is in place.

A dedicated line of interrupt (instead of the RCC line) is used on the NVIC for the EOFSEQ_IRQ information (see Table 6. Interrupt vectors).

Note: Anyway, the user must keep the CPU/system frequency at minimum 16 MHz clock when the radio is used.

This register is reset on PADRESETn.

Address offset: 0x20

Reset value: 0x0000 0080

| | | | | | | | | | | | | | | | |
|------|------|------|------|------|------|------|------|------------|-----------|-------------|------|--------------------|------|------|---------|
| 31 | 30 | 29 | 28 | 27 | 26 | 25 | 24 | 23 | 22 | 21 | 20 | 19 | 18 | 17 | 16 |
| Res. | Res. | Res. | Res. | Res. | Res. | Res. | Res. | Res. | Res. | Res. | Res. | Res. | Res. | Res. | Res. |
| 15 | 14 | 13 | 12 | 11 | 10 | 9 | 8 | 7 | 6 | 5 | 4 | 3 | 2 | 1 | 0 |
| Res. | Res. | Res. | Res. | Res. | Res. | Res. | Res. | EOFSEQ_IRQ | EOFSEQ_IE | STATUS[1:0] | | CLKSYSDIV_REQ[2:0] | | | REQUEST |
| | | | | | | | | rc_w1 | rw | r | r | rw | rw | rw | rw |

| | |
|-----------|---|
| Bits 31:8 | Reserved, must be kept at reset value. |
| Bit 7 | EOFSEQ_IRQ : End of sequence flag. <ul style="list-style-type: none"> 0: No end of sequence event occurred 1: End of sequence event occurred. Cleared by writing 1 in this bit. It is necessary to clear this bit before setting EOFSEQ_IE. |
| Bit 6 | EOFSEQ_IE : End of sequence interrupt enable. <ul style="list-style-type: none"> 0: End of sequence interrupt is disabled 1: End of sequence interrupt is enabled |
| Bits 5:4 | STATUS : Status of the switching sequence. <ul style="list-style-type: none"> 00: IDLE = no switch sequence requested /on-going 01: ONGOING = a system clock frequency switch is on-going 10: DONE = a system clock frequency switch is done 11: Reserved <p>This bit field is cleared when EOFSEQ_IRQ bit is cleared.</p> |
| Bits 3:1 | CLKSYSDIV_REQ : System clock requested/targeted frequency. Same format and same notes/warnings as SYSCLOCKDIV[2:0] bit field described in Section 6.6.2: Clocks configuration register (RCC_CFGR). |
| Bit 0 | REQUEST : request to switch the system clock frequency. |

Write 1 in this bit to request a system clock frequency switch (using CLKSYS DIV_REQ[2:0] information).

This bit is cleared by hardware when the clock frequency switch is done.

Note: Writing 0 in this bit aborts the frequency switch sequence if it is not yet finished. This action must not be used in the normal life of the application except if the end of sequence does not occur after a long time (to unblock the situation) but this is not supposed to occur.

6.6.6 AHB0 macro cells reset register (RCC_AHBRSTR)

This register allows resetting individually by software each IP located in the AHB0 mapping. This register is reset on PADRESETn.

Address offset: 0x30

Reset value: 0x0000 0000

| | | | | | | | | | | | | | | | |
|------|------|------|--------|------|------|------|------|------|------|------|------|----------|----------|------|--------|
| 31 | 30 | 29 | 28 | 27 | 26 | 25 | 24 | 23 | 22 | 21 | 20 | 19 | 18 | 17 | 16 |
| Res. | Res. | Res. | Res. | Res. | Res. | Res. | Res. | Res. | Res. | Res. | Res. | Res. | RNGRST | Res. | PKARST |
| | | | | | | | | | | | | | rw | | rw |
| 15 | 14 | 13 | 12 | 11 | 10 | 9 | 8 | 7 | 6 | 5 | 4 | 3 | 2 | 1 | 0 |
| Res. | Res. | Res. | CRCRST | Res. | Res. | Res. | Res. | Res. | Res. | Res. | Res. | GPIOBRST | GPIOARST | Res. | DMARST |
| | | | rw | | | | | | | | | rw | rw | | rw |

| | |
|------------|--|
| Bits 31:19 | Reserved, must be kept at reset value. |
| Bit 18 | RNGRST : RNG reset. <ul style="list-style-type: none"> • 0: RNG IP is not under reset • 1: RNG IP is under reset |
| Bit 17 | Reserved, must be kept at reset value. |
| Bit 16 | PKARST : PKA reset. <ul style="list-style-type: none"> • 0: PKA IP is not under reset • 1: PKA IP is under reset Note: PKA RAM no longer accessible by CPU when this bit is set. |
| Bits 15:13 | Reserved, must be kept at reset value |
| Bit 12 | CRCRST : CRC reset. <ul style="list-style-type: none"> • 0: CRC IP is not under reset • 1: CRC IP is under reset |
| Bits 11:4 | Reserved, must be kept at reset value. |
| Bit 3 | GPIOBRST : IO controller for port B reset. <ul style="list-style-type: none"> • 0: GPIOB IP is not under reset • 1: GPIOB IP is under reset |
| Bit 2 | GPIOARST : IO controller for port A reset. <ul style="list-style-type: none"> • 0: GPIOA IP is not under reset • 1: GPIOA IP is under reset |
| Bit 1 | Reserved, must be kept at reset value. |
| Bit 0 | DMARST : DMA and DMAMUX reset. <ul style="list-style-type: none"> • 0: DMA and DMAMUX IPs are not under reset • 1: DMA and DMAMUX IPs are under reset |

6.6.7 APB0 macro cells reset register (RCC_APB0RSTR)

This register allows resetting individually by software each IP located in the APB0 mapping. This register is reset on PADRESETn.

Note: Each bit is set and reset by the software.

Address offset: 0x34

Reset value: 0x0000 0000

| | | | | | | | | | | | | | | | |
|------|------|------|------|------|------|------|------|------|------|------|------|------|------|------|------|
| 31 | 30 | 29 | 28 | 27 | 26 | 25 | 24 | 23 | 22 | 21 | 20 | 19 | 18 | 17 | 16 |
| Res. | Res. | Res. | Res. | Res. | Res. | Res. | Res. | Res. | Res. | Res. | Res. | Res. | Res. | Res. | Res. |

| | | | | | | | | | | | | | | | |
|------|--------|------|-------|------|------|------|-----------|------|------|------|------|------|----------|----------|---------|
| 15 | 14 | 13 | 12 | 11 | 10 | 9 | 8 | 7 | 6 | 5 | 4 | 3 | 2 | 1 | 0 |
| Res. | WDGRST | Res. | RTCST | Res. | Res. | Res. | SYSCFGRST | Res. | Res. | Res. | Res. | Res. | TIM17RST | TIM16RST | TIM2RST |
| | rw | | rw | | | | rw | | | | | | rw | rw | rw |

| | |
|------------|---|
| Bits 31:15 | Reserved, must be kept at reset value. |
| Bit 14 | <p>WDGRST: Watchdog reset.</p> <ul style="list-style-type: none"> • 0: Watchdog IP is not under reset • 1: Watchdog IP is under reset <p>Note: Due to asynchronism slow clock/fast clock management, when the software requests to release the RTC reset by writing 0 in the RCC_APB0RSTR.RTCRST, the reset release is effective only 2 slow clock periods after the APB writing. An interrupt/status flag is available to inform the software when the reset release is really done (refer to Section 6.6.4: Clock interrupt flag register (RCC_CIFR)).</p> |
| Bit 13 | Reserved, must be kept at reset value. |
| Bit 12 | <p>RTCST: RTC reset.</p> <ul style="list-style-type: none"> • 0: RTC IP is not under reset • 1: RTC IP is under reset <p>Note: Due to asynchronism slow clock/fast clock management, when the software request to release the RTC reset by writing in the RCC_APB0RSTR.RTCRST, the reset release is effective only 2 slow clock periods after the APB writing. An interrupt/status flag is available to inform the software when the reset release is really done (refer to Section 6.6.4: Clock interrupt flag register (RCC_CIFR)).</p> |
| Bits 11:9 | Reserved, must be kept at reset value. |
| Bit 8 | <p>SYSCFGRST: System controller reset.</p> <ul style="list-style-type: none"> • 0: System controller IP is not under reset • 1: System controller IP is under reset |
| Bits 7:3 | Reserved, must be kept at reset value. |
| Bit 2 | <p>TIM17RST: TIM17 reset.</p> <ul style="list-style-type: none"> • 0: TIM17 IP is not under reset • 1: TIM17 IP is under reset |
| Bit 1 | <p>TIM16RST: TIM16 reset.</p> <ul style="list-style-type: none"> • 0: TIM16 IP is not under reset • 1: TIM16 IP is under reset |
| Bit 0 | <p>TIM2RST: TIM2 reset.</p> <ul style="list-style-type: none"> • 0: TIM2 IP is not under reset • 1: TIM2 IP is under reset |

6.6.8 APB1 macro cells reset register (RCC_APB1RSTR)

This register allows resetting individually by software each IP located in the APB1 mapping. This register is reset on PADRESETn.

Address offset: 0x38

Reset value: 0x0000 0000

| | | | | | | | | | | | | | | | |
|----|----|----|----|----|----|----|----|----|----|----|----|----|----|----|----|
| 31 | 30 | 29 | 28 | 27 | 26 | 25 | 24 | 23 | 22 | 21 | 20 | 19 | 18 | 17 | 16 |
|----|----|----|----|----|----|----|----|----|----|----|----|----|----|----|----|

| | | | | | | | | | | | | | | | |
|------|---------|------|------|------|----------|------|-----------|------|------|---------|--------|------|------|------|------|
| Res. | Res. | Res. | Res. | Res. | Res. | Res. | Res. | Res. | Res. | I2C1RST | Res. | Res. | Res. | Res. | Res. |
| | | | | | | | | | | rw | | | | | |
| 15 | 14 | 13 | 12 | 11 | 10 | 9 | 8 | 7 | 6 | 5 | 4 | 3 | 2 | 1 | 0 |
| Res. | SPI3RST | Res. | Res. | Res. | USARTRST | Res. | LPUARTRST | Res. | Res. | Res. | ADCRST | Res. | Res. | Res. | Res. |
| | rw | | | | rw | | rw | | | | rw | | | | |

| | |
|------------|---|
| Bits 31:22 | Reserved, must be kept at reset value. |
| Bit 21 | I2C1RST : I2C1 reset. <ul style="list-style-type: none"> 0: I2C1 IP is not under reset 1: I2C1 IP is under reset |
| Bits 20:15 | Reserved, must be kept at reset value. |
| Bit 14 | SPI3RST : SPI3 reset. <ul style="list-style-type: none"> 0: SPI3 IP is not under reset 1: SPI3 IP is under reset |
| Bits 13:11 | Reserved, must be kept at reset value. |
| Bit 10 | USARTRST : USART reset. <ul style="list-style-type: none"> 0: USART IP is not under reset 1: USART IP is under reset |
| Bit 9 | Reserved, must be kept at reset value. |
| Bit 8 | LPUARTRST : LPUART reset. <ul style="list-style-type: none"> 0: LPUART IP is not under reset 1: LPUART IP is under reset <p>Note: due to asynchronism slow clock/fast clock management, when the software request to release the LPUART reset by writing in the RCC_APB1RSTR.LPUARTRST, the reset release is effective only 2 slow clock periods after the APB writing. An interrupt/status flag is available to inform the software when the reset release is really done (see Section 6.6.4: Clock interrupt flag register (RCC_CIFR) registers).</p> |
| Bits 7:5 | Reserved, must be kept at reset value. |
| Bit 4 | ADCRST : ADC reset. <ul style="list-style-type: none"> 0: ADC IP is not under reset 1: ADC IP is under reset |
| Bits 3:0 | Reserved, must be kept at reset value. |

6.6.9 APB2 macro cells reset register (RCC_APB2RSTR)

This register allows resetting individually by software each IP located in the APB2 mapping (radio).

This register is reset on PADRESETn.

Address offset: 0x40

Reset value: 0x0000 0000

| | | | | | | | | | | | | | | | |
|------|------|------|------|------|------|------|------|------|------|------|------|------|------|------|----------|
| 31 | 30 | 29 | 28 | 27 | 26 | 25 | 24 | 23 | 22 | 21 | 20 | 19 | 18 | 17 | 16 |
| Res. | Res. | Res. | Res. | Res. | Res. | Res. | Res. | Res. | Res. | Res. | Res. | Res. | Res. | Res. | Res. |
| 15 | 14 | 13 | 12 | 11 | 10 | 9 | 8 | 7 | 6 | 5 | 4 | 3 | 2 | 1 | 0 |
| Res. | Res. | Res. | Res. | Res. | Res. | Res. | Res. | Res. | Res. | Res. | Res. | Res. | Res. | Res. | MRBLERST |
| | | | | | | | | | | | | | | | rw |

| | |
|-----------|---|
| Bits 31:1 | Reserved, must be kept at reset value. |
| Bit 0 | MRBLERST: MR_BLE (Bluetooth radio) reset. <ul style="list-style-type: none"> • 0: MR_BLE IP is not under reset • 1: MR_BLE IP is under reset |

6.6.10 AHB0 macro cells clock enable register (RCC_AHBENR)

This register allows resetting individually by software each IP located in the AHB0 mapping.

Note: Each IP clock gating is controlled by only 1 bit which gates both AHB clock and kernel clock when the IP uses one.

This register is reset on PADRESETn.

Address offset: 0x50

Reset value: 0x0000 000C

| | | | | | | | | | | | | | | | |
|------|------|------|--------|------|------|------|------|------|------|------|------|---------|---------|------|-------|
| 31 | 30 | 29 | 28 | 27 | 26 | 25 | 24 | 23 | 22 | 21 | 20 | 19 | 18 | 17 | 16 |
| Res. | Res. | Res. | Res. | Res. | Res. | Res. | Res. | Res. | Res. | Res. | Res. | Res. | RNGREN | Res. | PKAEN |
| | | | | | | | | | | | | | rw | | rw |
| 15 | 14 | 13 | 12 | 11 | 10 | 9 | 8 | 7 | 6 | 5 | 4 | 3 | 2 | 1 | 0 |
| Res. | Res. | Res. | CRCREN | Res. | Res. | Res. | Res. | Res. | Res. | Res. | Res. | GPIOBEN | GPIOAEN | Res. | DMAEN |
| | | | rw | | | | | | | | | rw | rw | | rw |

| | |
|------------|---|
| Bits 31:19 | Reserved, must be kept at reset value. |
| Bit 18 | RNGEN: RNG clock enable. <ul style="list-style-type: none"> • 0: RNG IP is clock gated • 1: RNG IP is clocked |
| Bit 17 | Reserved, must be kept at reset value. |
| Bit 16 | PKAEN: PKA enable. <ul style="list-style-type: none"> • 0: PKA IP is clock gated • 1: PKA IP is clocked <p>Note: PKA RAM no longer accessible by CPU when this bit is set.</p> |
| Bits 15:13 | Reserved, must be kept at reset value. |
| Bit 12 | CRCREN: CRC enable. <ul style="list-style-type: none"> • 0: CRC IP is clock gated • 1: CRC IP is clocked |
| Bits 11:4 | Reserved, must be kept at reset value. |

| | |
|-------|---|
| Bit 3 | GPIOBEN: IO controller for port B enable. <ul style="list-style-type: none"> 0: GPIOB IP is clock gated 1: GPIOB IP is clocked (default) |
| Bit 2 | GPIOAEN: IO controller for port A enable. <ul style="list-style-type: none"> 0: GPIOA IP is clock gated 1: GPIOA IP is clocked (default) |
| Bit 1 | Reserved, must be kept at reset value. |
| Bit 0 | DMAEN: DMA and DMAMUX enable. <ul style="list-style-type: none"> 0: DMA and DMAMUX IPs are clock gated 1: DMA and DMAMUX IPs are clocked |

6.6.11 APB0 macro cell clock enable register (RCC_APB0ENR)

This register allows gating individually by software the clock of each IP located in the APB0 mapping.

Note: Each IP clock gating is controlled by only 1 bit, which gates both APB clock and kernel clock when the IP uses one.

This register is reset on PADRESETn (except one bit identified with a table footnote).

Address offset: 0x54

Reset value: 0x0000 0000

| | | | | | | | | | | | | | | | |
|------|-------|------|-------|------|------|------|----------|------|------|------|------|------|---------|---------|--------|
| 31 | 30 | 29 | 28 | 27 | 26 | 25 | 24 | 23 | 22 | 21 | 20 | 19 | 18 | 17 | 16 |
| Res. | Res. | Res. | Res. | Res. | Res. | Res. | Res. | Res. | Res. | Res. | Res. | Res. | Res. | Res. | Res. |
| 15 | 14 | 13 | 12 | 11 | 10 | 9 | 8 | 7 | 6 | 5 | 4 | 3 | 2 | 1 | 0 |
| Res. | WDGEN | Res. | RTCEN | Res. | Res. | Res. | SYSCFGEN | Res. | Res. | Res. | Res. | Res. | TIM17EN | TIM16EN | TIM2EN |
| | rw | | rw | | | | rw | | | | | | rw | rw | rw |

| | |
|-----------------------|---|
| Bits 31:15 | Reserved, must be kept at reset value. |
| Bit 14 | WDGEN: Watchdog enable. <ul style="list-style-type: none"> 0: Watchdog IP is clock gated 1: Watchdog IP is clocked <p>WARNING: The software has to wait 2 slow clock cycles before using the IWDG IP after setting this bit due to a double resynchronization on slow clock.</p> |
| Bit 13 | Reserved, must be kept at reset value. |
| Bit 12 ⁽¹⁾ | RTCEN: RTC enable. <ul style="list-style-type: none"> 0: RTC IP is clock gated 1: RTC IP is clocked <p>WARNING: The software has to wait 2 slow clock cycles before using the RTC IP after setting this bit due to a double resynchronization on slow clock.</p> |
| Bit 11:9 | Reserved, must be kept at reset value. |
| Bits 8 | SYSCFGEN: System controller enable. <ul style="list-style-type: none"> 0: System controller IP is clock gated 1: System controller IP is clocked |
| Bits 7:3 | Reserved, must be kept at reset value |
| Bit 2 | TIM17EN: TIM17 enable <ul style="list-style-type: none"> 0: TIM17 IP is clock gated |

| | |
|-------|---|
| | <ul style="list-style-type: none"> 1: TIM17 IP is clocked |
| Bit 1 | TIM16EN: TIM16 enable <ul style="list-style-type: none"> 0: TIM16 IP is clock gated 1: TIM16 IP is clocked |
| Bit 0 | TIM2EN: TIM2 enable <ul style="list-style-type: none"> 0: TIM2 IP is clock gated 1: TIM2 IP is clocked |

1. This bit is reset on PORESETn only.

6.6.12 APB1 macro cells clock enable register (RCC_APB1ENR)

This register allows gating individually by software the clock of each IP located in the APB1 mapping.

Note: Each IP clock gating is controlled by only 1 bit, which gates both APB clock and kernel clock when the IP uses one.

This register is reset on PADRESETn.

Address offset: 0x58

Reset value: 0x0000 0000

| | | | | | | | | | | | | | | | |
|------|--------|------|------|------|---------|------|----------|------|------|----------|----------|------|------|------|------|
| 31 | 30 | 29 | 28 | 27 | 26 | 25 | 24 | 23 | 22 | 21 | 20 | 19 | 18 | 17 | 16 |
| Res. | Res. | Res. | Res. | Res. | Res. | Res. | Res. | Res. | Res. | I2C1EN | Res. | Res. | Res. | Res. | Res. |
| | | | | | | | | | | rw | | | | | |
| 15 | 14 | 13 | 12 | 11 | 10 | 9 | 8 | 7 | 6 | 5 | 4 | 3 | 2 | 1 | 0 |
| Res. | SPI3EN | Res. | Res. | Res. | USARTEN | Res. | LPUARTEN | Res. | Res. | ADCANAEN | ADCDIGEN | Res. | Res. | Res. | Res. |
| | rw | | | | rw | | rw | | | rw | rw | | | | |

| | |
|------------|---|
| Bits 31:2 | Reserved, must be kept at reset value. |
| Bit 21 | I2C1EN: I2C1 enable. <ul style="list-style-type: none"> 0: I2C1 IP is clock gated 1: I2C1 IP is clocked |
| Bits 20:15 | Reserved, must be kept at reset value. |
| Bit 14 | SPI3EN: SPI3 enable. <ul style="list-style-type: none"> 0: SPI3 IP is clock gated 1: SPI3 IP is clocked |
| Bit 13:11 | Reserved, must be kept at reset value. |
| Bit 10 | USARTEN: USART enable. <ul style="list-style-type: none"> 0: USART IP is clock gated 1: USART IP is clocked |
| Bit 9 | Reserved, must be kept at reset value. |
| Bit 8 | LPUARTEN LPUART enable. <ul style="list-style-type: none"> 0: LPUART IP is clock gated 1: LPUART IP is clocked <p>WARNING: the software has to wait for 2 slow clock cycles before using the LPUART IP after setting this bit due to a double resynchronization on slow clock.</p> |
| Bits 7:6 | Reserved, must be kept at reset value. |
| Bit 5 | ADCANAEN ADC clock enable for the analog part of the ADC block. |

| | |
|----------|---|
| | <ul style="list-style-type: none">• 0: ADC analog IP is clock gated• 1: ADC analog IP is clocked |
| Bit 4 | ADCDIGEN ADC clock enable for digital part of the ADC block. <ul style="list-style-type: none">• 0: ADC digital IP is clock gated• 1: ADC digital IP is clocked |
| Bits 3:0 | Reserved, must be kept at reset value. |

6.6.13 APB2 macro cells clock enable register (RCC_APB2ENR)

This register allows gating by software the MR_BLE clock located in the APB2 mapping (radio) and programming the frequency to be used by the MR_BLE IP.

Note: Gating the MR_BLE means both MR_BLE fast and slow clock trees (so including WAKEUP block).

This register is reset on PADRESETn.

Address offset: 0x60

Reset value: 0x0000 0000

| | | | | | | | | | | | | | | | |
|------|------|------|------|------|------|------|------|------|------|------|------|------|-----------|------|---------|
| 31 | 30 | 29 | 28 | 27 | 26 | 25 | 24 | 23 | 22 | 21 | 20 | 19 | 18 | 17 | 16 |
| Res. | Res. | Res. | Res. | Res. | Res. | Res. | Res. | Res. | Res. | Res. | Res. | Res. | Res. | Res. | Res. |
| 15 | 14 | 13 | 12 | 11 | 10 | 9 | 8 | 7 | 6 | 5 | 4 | 3 | 2 | 1 | 0 |
| Res. | Res. | Res. | Res. | Res. | Res. | Res. | Res. | Res. | Res. | Res. | Res. | Res. | CLKBLEDIV | Res. | MRBLEEN |
| | | | | | | | | | | | | | rw | | rw |

| | |
|-----------|--|
| Bits 31:3 | Reserved, must be kept at reset value. |
| Bit 2 | <p>CLKBLEDIV: MR_BLE (Bluetooth® Low Energy radio) clock frequency selection when RCC_APB2ENR.MRBLEEN=1.</p> <ul style="list-style-type: none"> • 00: Reserved <p>Note: Writing “00” by software is replaced by a write “01” in hardware.</p> <ul style="list-style-type: none"> • 01: 32 MHz • 10: 16 MHz • 11: Reserved <p>Warning:</p> <ul style="list-style-type: none"> • MR_BLE frequency must always be equal or less than the CPU/system clock to have functional radio. • When the ratio between system clock frequency and MR_BLE frequency is modified, the AHBUPCONV block must adapt the clock ratio on APB/AHB bus. Only dynamic CPU system clock switching is managed (see Section 6.6.5: Clock switch command register (RCC_CSCMDR)) <p>For this reason, using a static MR_BLE clock configuration is strongly recommended.</p> |
| Bit 1 | Reserved, must be kept at reset value |
| Bit 0 | <p>MRBLEEN: MR_BLE (Bluetooth® Low Energy radio) enable.</p> <ul style="list-style-type: none"> • 0: MR_BLE IP is clock gated • 1: MR_BLE IP is clocked |

6.6.14 V33 reset status register (RCC_CSR)

This register provides the reset reason flags. It is set automatically by hardware on any new reset event and must be cleared by software.

Table 13. [Flags versus CPU reboot reason](#) provides a summary of active flags versus reset reason.

This register is reset on PORESETn.

Address offset: 0x94

Reset value: 0x0C00 0000

| | | | | | | | | | | | | | | | |
|------|------------|---------|---------|---------|---------|------|------|-------|------|------|------|------|------|------|------|
| 31 | 30 | 29 | 28 | 27 | 26 | 25 | 24 | 23 | 22 | 21 | 20 | 19 | 18 | 17 | 16 |
| Res. | LOCKUPRSTF | WDGRSTF | SFTRSTF | PORRSTF | PADRSTF | Res. | Res. | RMVF | Res. | Res. | Res. | Res. | Res. | Res. | Res. |
| | r | r | r | r | r | | | rc_w1 | | | | | | | |
| 15 | 14 | 13 | 12 | 11 | 10 | 9 | 8 | 7 | 6 | 5 | 4 | 3 | 2 | 1 | 0 |
| Res. | Res. | Res. | Res. | Res. | Res. | Res. | Res. | Res. | Res. | Res. | Res. | Res. | Res. | Res. | Res. |

| | |
|------------|--|
| Bit 31 | Reserved, must be kept at reset value. |
| Bit 30 | LOCKUPRSTF : CPU lock-up reset flag. Set by the hardware when a CPU lock-up reset occurs. Reset by writing 1 in RMVF bit. |
| Bit 29 | WDGRSTF : Watchdog reset flag. Set by the hardware when a watchdog reset occurs. Reset by writing 1 in RMVF bit. |
| Bit 28 | SFTRSTF : Software reset flag. Set by the hardware when a CPU system reset occurs. Reset by writing 1 in RMVF bit. |
| Bit 27 | PORRSTF : Power-on reset flag. Set by the hardware when a PORESETN or a BOR reset occurs. Reset by writing 1 in RMVF bit. |
| Bit 26 | PADRSTF : NRSTn pad reset flag. Set by the hardware when a reset from external NRSTn pad occurs but also after any reset. This means the source of the reset is the NRSTn pad only if all flags are low except this one. Reset by writing 1 in RMVF bit. |
| Bits 25:24 | Reserved, must be kept at reset value. |
| Bit 23 | RMVF : Remove flag reset. Writing 1 in this bit clears all the reset flags of this register. This bit is auto-cleared by the hardware. |
| Bits 22:0 | Reserved, must be kept at reset value. |

6.6.15 RF software high speed external register (RCC_RFSWHSECR)

This register is reset on PADRESETn.

Address offset: 0x98

Reset value: 0x0000 0030

| | | | | | | | | | | | | | | | |
|------|------|---------------|------|------|------|------|------|------------|----------|------|------|-------|------|------|------|
| 31 | 30 | 29 | 28 | 27 | 26 | 25 | 24 | 23 | 22 | 21 | 20 | 19 | 18 | 17 | 16 |
| Res. | Res. | Res. | Res. | Res. | Res. | Res. | Res. | Res. | Res. | Res. | Res. | Res. | Res. | Res. | Res. |
| 15 | 14 | 13 | 12 | 11 | 10 | 9 | 8 | 7 | 6 | 5 | 4 | 3 | 2 | 1 | 0 |
| Res. | Res. | SWXOTUNE[5:0] | | | | | | SWXOTUNEEN | GMC[2:0] | | | SATRG | Res. | Res. | Res. |
| | | rw | rw | rw | rw | rw | rw | rw | rw | rw | rw | rw | | | |

| | |
|------------|--|
| Bits 31:14 | Reserved, must be kept at reset value. |
| Bits 13:8 | <p>SWXOTUNE: RF HSE capacitor bank tuning value set by software.</p> <p>This value is taken into account instead of the trimming value loaded by HW at reset if SWXOTUNEEN bit is set.</p> |
| Bit 7 | <p>SWXOTUNEEN: RF HSE software capacitor bank tuning enable.</p> <ul style="list-style-type: none"> • 0: Trimming value readable in RCC_RFHSECR.XOTUNE[5:0] bit field is used as trimming value on HSE • 1: Trimming value written in RCC_RFSWHSECR.SWXOTUNE[5:0] bit field is used as trimming value on HSE |
| Bits 6:4 | <p>GMC: High speed external IO current control.</p> <ul style="list-style-type: none"> – 000: max. 0.18 mA/V – 001: max. 0.57 mA/V – 010: Max. 0.78 mA/V – 011: Max. 1.13 mA/V – 100: Max. 0.61 mA/V – 101: Max. 1.65 mA/V – 110: Max. 2.12 mA/V – 111: Max. 2.84 mA/V <p>Note: This value is set only by software.</p> |
| Bit 3 | <p>SATRG: Sense amplifier threshold.</p> <ul style="list-style-type: none"> • 0: The bias current is confronted to a reference current with a ratio of 1/2 • 1: The bias current is confronted to a reference current with a ratio of 3/4 |
| Bits 2:0 | Reserved, must be kept at reset value. |

6.6.16 RF high speed external register (RCC_RFHSECR)

This register is reset on PADRESETn.

Address offset: 0x9C

Reset value: 0x0000 0000 when STM32WB05xZ flash memory is empty, or else depends on trimmed values flashed in the sample.

Note: The XOTUNE value depends on the choice of the external XO component. For this reason, the RCC_RFSWHSECR.SWXOTUNE bit field is the one to program and select before starting the XO.

| | | | | | | | | | | | | | | | |
|------|------|------|------|------|------|------|------|------|------|-------------|------|------|------|------|------|
| 31 | 30 | 29 | 28 | 27 | 26 | 25 | 24 | 23 | 22 | 21 | 20 | 19 | 18 | 17 | 16 |
| Res. | Res. | Res. | Res. | Res. | Res. | Res. | Res. | Res. | Res. | Res. | Res. | Res. | Res. | Res. | Res. |
| 15 | 14 | 13 | 12 | 11 | 10 | 9 | 8 | 7 | 6 | 5 | 4 | 3 | 2 | 1 | 0 |
| Res. | Res. | Res. | Res. | Res. | Res. | Res. | Res. | Res. | Res. | XOTUNE[5:0] | | | | | |
| | | | | | | | | | | r | r | r | r | r | r |

| | |
|-----------|--|
| Bits 31:6 | Reserved, must be kept at reset value. |
| Bits 5:0 | XOTUNE: RF-HSE capacitor bank tuning. This value is loaded by HW at reset as soon as the Flash controller achieves the reading of the information in Flash memory. |

6.6.17 RCC register map

Refer to [Section 2.2.2: Memory map and register boundary addresses](#) for the RCC base address location in the STM32WB05xZ.

The grey cells indicate the register is in the V12o power domain and the pink cell indicates the register is in the VBAT (aka V33) power domain. This implies those registers are not reset on Deepstop exit.

Table 16. RCC register map and reset values

| Offset | Register | 31 | 30 | 29 | 28 | 27 | 26 | 25 | 24 | 23 | 22 | 21 | 20 | 19 | 18 | 17 | 16 | 15 | 14 | 13 | 12 | 11 | 10 | 9 | 8 | 7 | 6 | 5 | 4 | 3 | 2 | 1 | 0 |
|--------|-------------|------|------|------|------|------|------|------|------|------|------|------|------|------|------|--------|-------|------|------------|----------|-------------|------|--------|-------------------|---|---|--------|--------|-------|--------|-------|------|------|
| 0x00 | RCC_CR | Res. | Res. | Res. | Res. | Res. | Res. | Res. | Res. | Res. | Res. | Res. | Res. | Res. | Res. | HSERDY | HSEON | Res. | HSIPLLDRDY | HSIPLLON | HSEPLLBUFON | Res. | HSIRDY | LOCKDET_NST OP | | | LSEBYP | LSERDY | LSEON | LSIRDY | LSION | Res. | Res. |
| | Reset value | | | | | | | | | | | | | | | 0 | 0 | | 0 | 0 | 1 | | 1 | 0 | 0 | 0 | 0 | 0 | 0 | 0 | 0 | | |
| 0x04 | Reserved | | | | | | | | | | | | | | | | | | | | | | | | | | | | | | | | |



| Offset | Register | 31 | 30 | 29 | 28 | 27 | 26 | 25 | 24 | 23 | 22 | 21 | 20 | 19 | 18 | 17 | 16 | 15 | 14 | 13 | 12 | 11 | 10 | 9 | 8 | 7 | 6 | 5 | 4 | 3 | 2 | 1 | 0 |
|----------|-------------|--------|----|----|--------|----|----|--------|----|--------------|----|------|------|-------|------------|-----------|------------|----|------|----------|--------|------|----------------------|---|--------------|---|---|------|---------------|---------|--------|------|---|
| 0x08 | RCC_CFGR | CCOPRE | | | MCOSEL | | | LCOSEL | | SPI12SCLKSEL | | Res. | Res. | LCOEN | IOBOOSTKEN | IOBOOSTEN | CLKSLOWSEL | | Res. | LPCLKSEL | SMPDIV | Res. | CLKSYSCLK_ST ATUS | | CLKSYSCLKDIV | | | Res. | HSESEL_STATUS | STOPHSI | HSESEL | Res. | |
| | Reset value | 0 | 0 | 0 | 0 | 0 | 0 | 0 | 0 | 0 | 0 | | | 0 | 0 | 0 | 0 | 0 | | 0 | 0 | | 0 | 1 | 0 | 0 | 0 | 1 | 0 | 0 | 0 | 0 | |
| 0x0C-014 | Reserved | | | | | | | | | | | | | | | | | | | | | | | | | | | | | | | | |

| Offset | Register | 31 | 30 | 29 | 28 | 27 | 26 | 25 | 24 | 23 | 22 | 21 | 20 | 19 | 18 | 17 | 16 | 15 | 14 | 13 | 12 | 11 | 10 | 9 | 8 | 7 | 6 | 5 | 4 | 3 | 2 | 1 | 0 | | |
|--------|-------------|------|------|------|------|------|------|------|------|------|------|----|----|----|----|----|----|------|------|------|------|------|------|---|----------|----------|-----------|--------------|--------|-------------|----------|----------|------|----------|----------|
| 0x18 | RCC_CIER | Res. | Res. | Res. | Res. | Res. | Res. | Res. | Res. | Res. | Res. | | | | | | | Res. | Res. | Res. | Res. | Res. | Res. | | LPURSTIE | WDGRSTIE | RTCIRSTIE | HSIPLLUNLOCK | DETIIE | HSIPLLRDYIE | HSERDYIE | HSIRDYIE | Res. | LSERDYIE | LSIRDYIE |
| | Reset value | | | | | | | | | | | | | | | | | | | | | | | 0 | 0 | 0 | 0 | 0 | 0 | 0 | | 0 | 0 | | |

| Offset | Register | 31 | 30 | 29 | 28 | 27 | 26 | 25 | 24 | 23 | 22 | 21 | 20 | 19 | 18 | 17 | 16 | 15 | 14 | 13 | 12 | 11 | 10 | 9 | 8 | 7 | 6 | 5 | 4 | 3 | 2 | 1 | 0 | | | | | | | | | | | | | | | | | | | | | | | | | | | | | | |
|-----------|--------------|------|------|------|------|------|------|------|------|------|------|------|------|------|------|------|------|------|------|------|------|------|------|---------|----------|------------|--------------|-------------|------------------------|---------|---------|----------|---------|---------|------|------|--|--|--|--|--|--|--|--|--|--|--|--|--|--|--|--|--|--|--|--|--|--|--|--|--|--|--|
| 0x1C | RCC_CIFR | Res. | Res. | Res. | Res. | Res. | Res. | Res. | Res. | Res. | Res. | Res. | Res. | Res. | Res. | Res. | Res. | Res. | Res. | Res. | Res. | Res. | Res. | LPURSTF | WDGRSTIF | RTCSTIF | HSIPLLUNLOCK | DEF | HSIPLLRDYF | HSERDYF | HSIRDYF | Res. | LSERDYF | LSIRDYF | | | | | | | | | | | | | | | | | | | | | | | | | | | | | |
| | Reset value | | | | | | | | | | | | | | | | | | | | | | | 0 | 0 | 0 | 0 | 0 | 0 | 1 | | 0 | 0 | | | | | | | | | | | | | | | | | | | | | | | | | | | | | | |
| 0x20 | RCC_CSCMDR | Res. | Res. | Res. | Res. | Res. | Res. | Res. | Res. | Res. | Res. | Res. | Res. | Res. | Res. | Res. | Res. | Res. | Res. | Res. | Res. | Res. | Res. | | Res. | EOFSEQ_IRQ | EOFSEQ_IE | STATUS[1:0] | CLKSYSDIV_RE Q[2:0] | | REQUEST | | | | | | | | | | | | | | | | | | | | | | | | | | | | | | | | |
| | Reset value | | | | | | | | | | | | | | | | | | | | | | | | | 1 | 0 | 0 | 0 | 0 | 0 | 0 | 0 | 0 | | | | | | | | | | | | | | | | | | | | | | | | | | | | | |
| 0x24-0x2C | | | | | | | | | | | | | | | | | | | | | | | | | | | | | | | | Reserved | | | | | | | | | | | | | | | | | | | | | | | | | | | | | | | |
| 0x30 | RCC_AHBRSTR | Res. | Res. | Res. | Res. | Res. | Res. | Res. | Res. | Res. | Res. | Res. | Res. | Res. | Res. | Res. | Res. | Res. | Res. | Res. | Res. | Res. | Res. | Res. | Res. | Res. | Res. | Res. | Res. | Res. | Res. | Res. | Res. | Res. | Res. | Res. | | | | | | | | | | | | | | | | | | | | | | | | | | | |
| | Reset value | | | | | | | | | | | | | | | 0 | 0 | 0 | 0 | 0 | 0 | 0 | 0 | 0 | 0 | 0 | 0 | 0 | 0 | 0 | 0 | 0 | 0 | 0 | 0 | | | | | | | | | | | | | | | | | | | | | | | | | | | | |
| 0x34 | RCC_APB0RSTR | Res. | Res. | Res. | Res. | Res. | Res. | Res. | Res. | Res. | Res. | Res. | Res. | Res. | Res. | Res. | Res. | Res. | Res. | Res. | Res. | Res. | Res. | Res. | Res. | Res. | Res. | Res. | Res. | Res. | Res. | Res. | Res. | Res. | Res. | Res. | | | | | | | | | | | | | | | | | | | | | | | | | | | |
| | Reset value | | | | | | | | | | | | | | | | | | 0 | 0 | 0 | 0 | 0 | 0 | 0 | 0 | 0 | 0 | 0 | 0 | 0 | 0 | 0 | 0 | 0 | | | | | | | | | | | | | | | | | | | | | | | | | | | | |

| Offset | Register | 31 | 30 | 29 | 28 | 27 | 26 | 25 | 24 | 23 | 22 | 21 | 20 | 19 | 18 | 17 | 16 | 15 | 14 | 13 | 12 | 11 | 10 | 9 | 8 | 7 | 6 | 5 | 4 | 3 | 2 | 1 | 0 | |
|-----------|--------------|------|------|------|------|------|------|------|------|------|------|------|------|------|-------|------|-------|-------|---------|------|-------|--------|----------|------|------|-----------|------|------|------|------|------|---------|----------|--------|
| 0x38 | RCC_APB1RSTR | Res. | Res. | Res. | Res. | Res. | Res. | Res. | Res. | Res. | Res. | Res. | Res. | Res. | Res. | Res. | Res. | Res. | SPI3RST | Res. | Res. | Res. | USARTRST | Res. | Res. | LPUARTRST | Res. | Res. | Res. | Res. | Res. | Res. | Res. | |
| | Reset value | | | | | | | | | 0 | 0 | | | | | | | | 0 | | | | 0 | | | 0 | | | 0 | | | | | |
| 0x3C | Reserved | | | | | | | | | | | | | | | | | | | | | | | | | | | | | | | | | |
| 0x40 | RCC_APB2RSTR | Res. | Res. | Res. | Res. | Res. | Res. | Res. | Res. | Res. | Res. | Res. | Res. | Res. | Res. | Res. | Res. | Res. | Res. | Res. | Res. | Res. | Res. | Res. | Res. | Res. | Res. | Res. | Res. | Res. | Res. | Res. | MRBLERST | |
| | Reset value | | | | | | | | | | | | | | | | | | | | | | | | | | | | | | | | 0 | |
| 0x44-0x4C | Reserved | | | | | | | | | | | | | | | | | | | | | | | | | | | | | | | | | |
| 0x50 | RCC_AHBENR | Res. | Res. | Res. | Res. | Res. | Res. | Res. | Res. | Res. | Res. | Res. | Res. | Res. | RNGEN | Res. | PKAEN | Res. | Res. | Res. | Res. | CRCCEN | Res. | Res. | Res. | Res. | Res. | Res. | Res. | Res. | Res. | Res. | DMAEN | |
| | Reset value | | | | | | | | | | | | | | 0 | 0 | | | | | | 0 | | | | | | | | | | | | |
| 0x54 | RCC_APB0ENR | Res. | Res. | Res. | Res. | Res. | Res. | Res. | Res. | Res. | Res. | Res. | Res. | Res. | Res. | Res. | Res. | WDGEN | Res. | Res. | RTCEN | Res. | Res. | Res. | Res. | SYSCFGEN | Res. | Res. | Res. | Res. | Res. | TIM17EN | TIM16EN | TIM2EN |
| | Reset value | | | | | | | | | | | | | | | | | | | | | 0 | | | | | | | 1 | 1 | 0 | 0 | 0 | |

| Offset | Register | 31 | 30 | 29 | 28 | 27 | 26 | 25 | 24 | 23 | 22 | 21 | 20 | 19 | 18 | 17 | 16 | 15 | 14 | 13 | 12 | 11 | 10 | 9 | 8 | 7 | 6 | 5 | 4 | 3 | 2 | 1 | 0 |
|-----------|----------------|------|------------|---------|---------|---------|---------|------|------|------|------|--------|------|------|------|------|------|------|--------|------|------|------|---------|------|------|------|------|------|------|------|-----------|------|------|
| 0x58 | RCC_APB1ENR | Res. | Res. | Res. | Res. | Res. | Res. | Res. | Res. | Res. | Res. | I2C1EN | Res. | Res. | Res. | Res. | Res. | Res. | SPI1EN | Res. | Res. | Res. | USARTFN | Res. | Res. | Res. | Res. | Res. | Res. | Res. | Res. | Res. | Res. |
| | Reset value | | | | | | | | | | | 0 | | | | | | | 0 | | | | 0 | | 0 | | | 0 | 0 | | | | |
| 0x5C | Reserved | | | | | | | | | | | | | | | | | | | | | | | | | | | | | | | | |
| 0x60 | RCC_APB2ENR | Res. | Res. | Res. | Res. | Res. | Res. | Res. | Res. | Res. | Res. | Res. | Res. | Res. | Res. | Res. | Res. | Res. | Res. | Res. | Res. | Res. | Res. | Res. | Res. | Res. | Res. | Res. | Res. | Res. | Res. | Res. | |
| | Reset value | | | | | | | | | | | | | | | | | | | | | | | | | | | | | 0 | CLKBLEDIV | Res. | Res. |
| 0x64-0x90 | Reserved | | | | | | | | | | | | | | | | | | | | | | | | | | | | | | | | |
| 0x94 | RCC_CSR | Res. | LOCKUPRSTF | WDGRSTF | SFTRSTF | PORRSTF | PADRSTF | Res. | Res. | RMVF | Res. | Res. | Res. | Res. | Res. | Res. | Res. | Res. | Res. | Res. | Res. | Res. | Res. | Res. | Res. | Res. | Res. | Res. | Res. | Res. | Res. | Res. | Res. |
| | Reset value | | 0 | 0 | 0 | 1 | 1 | | | 0 | | | | | | | | | | | | | | | | | | | | | | | |
| 0x98 | RCC_RFSWHSEC R | Res. | Res. | Res. | Res. | Res. | Res. | Res. | Res. | Res. | Res. | Res. | Res. | Res. | Res. | Res. | Res. | Res. | Res. | Res. | Res. | Res. | Res. | Res. | Res. | Res. | Res. | Res. | Res. | Res. | Res. | Res. | Res. |
| | Reset value | | | | | | | | | | | | | | | | | | | | | | | | 0 | 0 | 0 | 0 | 0 | 0 | 0 | 0 | 0 |

| Offset | Register | 31 | 30 | 29 | 28 | 27 | 26 | 25 | 24 | 23 | 22 | 21 | 20 | 19 | 18 | 17 | 16 | 15 | 14 | 13 | 12 | 11 | 10 | 9 | 8 | 7 | 6 | 5 | 4 | 3 | 2 | 1 | 0 | | | | |
|--------|-------------|------|------|------|------|------|------|------|------|------|------|------|------|------|------|------|------|------|------|------|------|------|------|------|------|------|------|--------|---|---|---|---|---|--|--|--|--|
| 0x9C | RCC_RFHSECR | Res. | Res. | Res. | Res. | Res. | Res. | Res. | Res. | Res. | Res. | Res. | Res. | Res. | Res. | Res. | Res. | Res. | Res. | Res. | Res. | Res. | Res. | Res. | Res. | Res. | Res. | XOTUNE | | | | | | | | | |
| | Reset value | | | | | | | | | | | | | | | | | | | | | | | | | | | - | - | - | - | - | - | | | | |

6.7 Programmer model

The STM32WB05xZ embeds up to 192 kBytes of internal flash memory. A flash interface implements instruction access and data access based on the AHB protocol. It implements the logic necessary to carry out the Flash memory operations (Program/Erase) controlled through the flash registers.

6.7.1 Switch the system on the PLL64M clock tree

To switch the system from the HSI clock source to the PLL64M clock source, the user has to:

1. Enable the HSE (32 MHz external crystal)
2. Wait for the HSE ready flag information (through interrupt or by polling)
3. Request to enable the PLL
4. Wait for the PLL ready flag information (through interrupt or by polling). From this point, the clock source for the whole fast clock tree is the accurate PLL64M source.

Note: A status flag and an associated interrupt are available to inform the software in case of HSIPLL64M unlock event. See `RCC_CIER` and `RCC_CIFR` registers.

6.7.2 Use the direct HSE instead of the RC64MPLL block

If the application does not target to use the 64 MHz system clock frequency, the system can be configured to use directly the 32 MHz provided by the external XO (HSE).

This configuration choice is supposed to be static and to be used when 64 MHz is never used.

In this case, the software has to:

1. Ensure the `RCC_CR.CLKSYSDIV` bit field is programmed with a system frequency less than 64 MHz
2. Enable the external XO (by setting the `RCC_CR.HSEON` if not yet done)
3. Wait for the HSE ready flag information (through interrupt or by polling)
4. Set the `RCC_CFGR.HSESEL` bit to switch the fast clock tree on HSE path. If both clocks (HSI and HSE) are present, the switch should take around 4 clock cycles
5. To save power, the software can stop the RC64MPLL analog block by setting the `RCC_CFGR.STOPHSI` bit.

Note: A hardware mechanism is in place to restart the RC64MPLL and switch back the clock tree on it if the `HSERDY` is low or if the `CLKSYSDIV` bit field has been programmed to request 64 MHz.

The HSE configuration is not lost on a Deepstop sequence. So at wakeup, the system restarts the HSE (thanks to `HEON` bit) and clock tree switches HSE back on as soon as the `HSERDY` flag is set. In the meantime, the clock tree is run on the RC64MPLL block. If the `STOPHSI` was high before the Deepstop, the RC64MPLL analog is switched off as soon as the clock tree is back on HSE path.

Caution: The HSE configuration is not lost on a Deepstop sequence. So at wakeup, the system restarts the HSE (thanks to `HEON` bit). However, the SW has to switch the system clock back to HSI or PLL64M path to be able to enter in Deepstop/Shutdown, so at wakeup:

- the clock tree runs on RC64MPLL block (HSI or PLL64M)
- the SW has to reprogram the HSE mode. However, it is important to avoid the switch of clock tree between HSI and HSE while the `MR_BLE` already triggered a wakeup event and started its sequence. The SW has to anticipate the CPU wakeup to ensure the final clock source is restored before the radio starts any activity.

6.7.3 Changing the system clock frequency while the MR_BLE is enabled

As long as the MR_BLE is enabled (by setting the RCC_APB2ENR.MRBLEEN), the application software has no guarantee the radio is running or about to start a sequence that makes the MR_BLE IP perform an AHB access to the RAM. Changing the system clock, and by this action changing the ratio between MR_BLE clock domain and system clock domain, could instigate a crash if not managed carefully.

For this reason, a hardware mechanism has been put in place and must be used to change the system frequency when MR_BLE is ON.

The sequence to execute to change the system clock is the following:

1. Ensure the targeted frequency is greater than or equal to the MR_BLE frequency (visible in RCC_APB2ENR.CLKBLEDIV[1:0])
2. Program the wanted frequency in the RCC_CSCMDR.CLKSYSDIV bit field and set the RCC_CSCMDR.REQUEST bit
3. Wait for the RCC_CSCMDR.EOFSEQ_IRQ flag information (through interrupt or by polling)
4. When the flag (and the interrupt if enabled) is set, the system is running on the new frequency
5. The RCC_CFGR.CLKSYSDIV[1:0] bit field has been updated by hardware to the new frequency value.

Note: If the software requested a frequency below 16 MHz, the current final frequency is 16 MHz (associated value is readable in the RCC_CFGR.CLKSYSDIV[1:0]). If the software requested a frequency at 16 MHz while the MR_BLE is clocked at 32 MHz, the wanted frequency is used but the radio scenario is no longer functional.

7 General-purpose I/O (GPIO)

7.1 Introduction

Each general-purpose I/O port has four 32-bit configuration registers (GPIOx_MODER, GPIOx_OTYPER, GPIOx_OSPEEDR and GPIOx_PUPDR), two 32-bit data registers (GPIOx_IDR and GPIOx_ODR) and a 32-bit set/reset register (GPIOx_BSRR). In addition all GPIOs have a 32-bit locking register (GPIOx_LCKR) and two 32-bit alternate function selection registers (GPIOx_AFRH and GPIOx_AFLR).

7.2 GPIO main features

- Output states: push-pull or open drain +pull-up/down
- Output data from output data register (GPIOx_ODR) or peripheral (alternate function output)
- Speed selection for each I/O
- Input states: floating, pull-up/down, analog
- Input data to input data register (GPIOx_IDR) or peripheral (alternate function input)
- Bit set and reset register (GPIOx_BSRR) for bitwise write access to GPIOx_ODR
- Locking mechanism (GPIOx_LCKR) provided to freeze the I/O port configurations
- Analog function
- Alternate function selection registers
- Fast toggle capable of changing every clock cycle
- Highly flexible pin multiplexing allows the use of I/O pins as GPIOs or as one of several peripheral functions

7.3 GPIO functional description

Subject to the specific hardware characteristics of each I/O port listed in [Section 4: I/O operating modes](#), each port bit of the general-purpose I/O (GPIO) ports can be individually configured by software in several modes:

- Input floating
- Input pull-up
- Input pull-down
- Analog
- Output open-drain with pull-up or pull-down capability
- Output push-pull with pull-up or pull-down capability
- Alternate function push-pull with pull-up or pull-down capability
- Alternate function open-drain with pull-up or pull-down capability

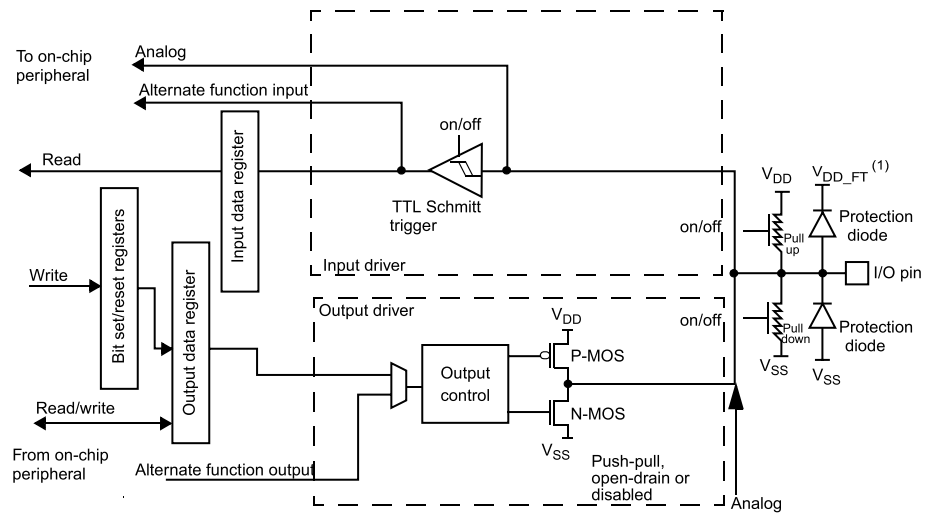
Each I/O port bit is freely programmable, however the I/O port registers have to be accessed as 32-bit words, half-words or bytes. The purpose of the GPIOx_BSRR and GPIOx_BRR registers is to allow atomic read/modify accesses to any of the GPIOx_ODR registers. In this way, there is no risk of an IRQ occurring between the read and the modify access.

Note:

Open-drain and analog features are not available on all the I/Os of the STM32WB05xZ. Refer to [Table 7. GPIO alternate options AF0, AF1 and AF2 modes](#) and [Table 8. GPIOs AF3, AF4 and AF6 modes footnotes](#).

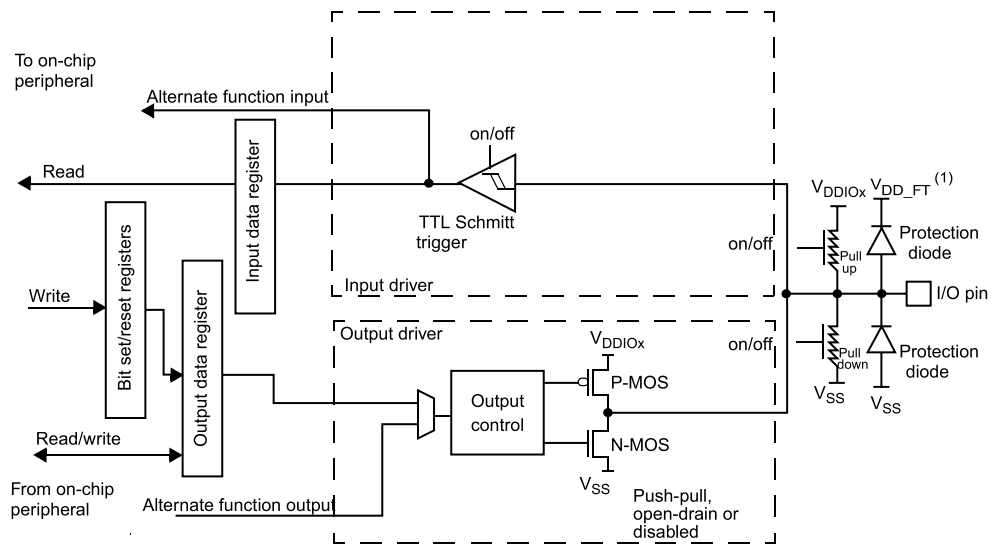
Figure 15. Basic structure of a mixed analog/digital five-volt tolerant I/O port bit and Figure 16. Basic structure of a digital only five-volt tolerant I/O port bit show the basic structures of a mixed analog/digital 5 V tolerant I/O port bit and a digital only 5 V tolerant, respectively. [Table 17. Port bit configuration](#) gives the possible port bit configurations.

Figure 15. Basic structure of a mixed analog/digital five-volt tolerant I/O port bit



1. V_{DD_FT} is a potential specific to five-volt tolerant I/Os and different from V_{DD} .

Figure 16. Basic structure of a digital only five-volt tolerant I/O port bit



1. V_{DD_FT} is a potential specific to five-volt tolerant I/Os and different from V_{DD} .

Table 17. Port bit configuration

| MODE(i) [1:0] | OTYPER(i) | OSPEED(i) [1:0] | | PUPDR(i) [1:0] | | I/O configuration | |
|---------------|-----------|-----------------|---|----------------|-------------------------|---------------------------|----------|
| 01 | 0 | SPEED [1:0] | | 0 | 0 | GP output | PP |
| | 0 | | | 0 | 1 | GP output | PP + PU |
| | 0 | | | 1 | 0 | GP output | PP + PD |
| | 0 | | | 1 | 1 | Reserved | |
| | 1 | | | 0 | 0 | GP output | OD |
| | 1 | | | 0 | 1 | GP output | OD + PU |
| | 1 | | | 0 | 1 | GP output | OD + PD |
| | 1 | | | 1 | Reserved (GP output OD) | | |
| 10 | 0 | SPEED [1:0] | | 0 | 0 | AF | PP |
| | 0 | | | 0 | 1 | AF | PP + PU |
| | 0 | | | 1 | 0 | AF | PP + PD |
| | 0 | | | 1 | 1 | Reserved | |
| | 1 | | | 0 | 0 | AF | OD |
| | 1 | | | 0 | 1 | AF | OD + PU |
| | 1 | | | 0 | 1 | AF | OD + PD |
| | 1 | | | 1 | Reserved | | |
| 00 | x | x | x | 0 | 0 | Input | Floating |
| | x | x | x | 0 | 1 | Input | PU |
| | x | x | x | 1 | 0 | Input | PD |
| | x | x | x | 1 | 1 | Reserved (input floating) | |
| 11 | x | x | x | 0 | 0 | Input/output | Analog |
| | x | x | x | 0 | 1 | Reserved | |
| | x | x | x | 1 | 0 | | |
| | x | x | x | 1 | 1 | | |

Note: GP = general-purpose, PP = push-pull, PU = pull-up, PD = pull-down, OD = open-drain, AF = alternate function.

Note: Open-drain and analog features are not available on all the I/Os of the STM32WB05xZ. Refer to Table 7. GPIO alternate options AF0, AF1 and AF2 modes and Table 8. GPIOs AF3, AF4 and AF6 modes.

7.3.1 General-purpose I/O (GPIO)

During and just after reset, the alternate functions are not active and most of the I/O ports are configured in GPIO input pull-up mode except the SWD debug pins. The debug pins are in AF0 pull-up/pull-down after reset:

- PA2: DEBUG_SWDI0 in pull-up
- PA3: DEBUG_SWCLK in pull-down

When the pin is configured as output, the value written to the output data register (GPIOx_ODR) is output on the I/O pin. It is possible to use the output driver in push-pull mode or open-drain mode (only the low level is driven, high level is HI-Z).

The input data register (GPIOx_IDR) captures the data present on the I/O pin at every AHB clock cycle.

All GPIO pins have weak internal pull-up and pull-down resistors, which can be activated or not depending on the value in the GPIOx_PUPDR register.

7.3.2 I/O pin alternate function multiplexer and mapping

The device I/O pins are connected to on-board peripherals/modules through a multiplexer that allows only one peripheral alternate function (AF) connected to an I/O pin at a time. In this way, there can be no conflict between peripherals available on the same I/O pin.

Each I/O pin has a multiplexer with up to six alternate function inputs (AF0, AF1, AF2, AF3, AF4, AF6) that can be configured through the GPIOx_AFRL (for pin 0 to 6) and GPIOx_AFRH (for pin 8 to 15) registers:

- After reset the multiplexer selection is alternate function 0 (AF0). The I/Os are configured in alternate function mode through GPIOx_MODER register.
- The specific alternate function assignments for each pin are detailed in .

In addition to this flexible I/O multiplexing architecture, each peripheral has alternate functions mapped onto different I/O pins to optimize the number of peripherals available in smaller packages.

To use an I/O in a given configuration, the user has to proceed as follows:

- **Debug function:** after each device reset these pins are assigned as alternate function pins immediately usable by the debugger host
- **System function:** RCC_MCO and RCC_LCO pins have to be configured in alternate function mode
- **GPIO:** configures the desired I/O as output, input or analog in the GPIOx_MODER register
- **Alternate function:**
 - Connect the I/O to the desired AFx in one of the GPIOx_AFRL or GPIOx_AFRH registers.
 - Select the type, pull-up/pull-down and output speed via GPIOx_OTYPER, GPIOx_PUPDR and GPIOx_OSPEEDER registers, respectively.
 - Configure the desired I/O as an alternate function in the GPIOx_MODER register.
 - **Cortex-M0+ alternate function (EVENTOUT):** The Cortex[®]-M0+ output EVENTOUT signal can be output as alternate function on several I/Os. An event can be signaled through the configured pin after executing an SEV instruction.
- **Additional functions:**
 - For the ADC, configure the desired I/O in analog mode in GPIOx_MODER register and configure the required function in the ADC registers

Note: When configuring IOs in analog mode, the user must disable the pull-up/pull-down through the PWRC registers, if PWRC_CR1.APC is set.

Note: If PWRC_CR1.APC is set (default configuration), the pull-up/-down of the IOs is controlled by the PWRC_PUCRx and PWRC_PDCRx registers of the PWRC block. Otherwise it is controlled by the GPIOx_PUPDR register of the GPIO block.

- For the additional functions such as Wakeup I/Os and LSE oscillator, configure the required function in the related PWRC, RCC, and RTC registers. These functions have priority over the configuration in the standard GPIO registers.

Refer to [Table 10. I/O additional function mapping](#) for the detailed mapping of the alternate function I/O pins.

7.3.3 I/O port control registers

Each of the GPIO ports has four 32-bit memory-mapped control registers (GPIOx_MODER, GPIOx_OTYPER, GPIOx_OSPEEDR, GPIOx_PUPDR) to configure up to 16 I/Os. The GPIOx_MODER register is used to select the I/O mode (input, output, AF, analog). The GPIOx_OTYPER and GPIOx_OSPEEDR registers are used to select the output type (push-pull or open-drain) and speed. The GPIOx_PUPDR register is used to select the pull-up/pull-down whatever the I/O direction.

7.3.4 I/O port data registers

Each GPIO has two 16-bit memory-mapped data registers: input and output data registers (GPIOx_IDR and GPIOx_ODR). GPIOx_ODR stores the data to be output, it is read/write accessible. The data input through the I/O are stored into the input data register (GPIOx_IDR), a read-only register. See [Section 7.4.9: GPIOA port input data register \(GPIOA_IDR\)](#) and [Section 7.4.11: GPIOA port output data register \(GPIOA_ODR\)](#) .

7.3.5 I/O data bitwise handling

The bit set reset register (GPIOx_BSRR) is a 32-bit register, which allows the application to set and reset each individual bit in the output data register (GPIOx_ODR). The bit set reset register has twice the size of GPIOx_ODR.

To each bit in GPIOx_ODR, two control bits in GPIOx_BSRR: BS(i) and BR(i) correspond. When written to 1, bit BS(i) **sets** the corresponding ODR(i) bit. When written to 1, bit BR(i) **resets** the ODR(i) corresponding bit.

Writing any bit to 0 in GPIOx_BSRR does not have any effect on the corresponding bit in GPIOx_ODR. If there is an attempt to both set and reset a bit in GPIOx_BSRR, the set action takes priority.

Using the GPIOx_BSRR register to change the values of individual bits in GPIOx_ODR is a “one-shot” effect that does not lock the GPIOx_ODR bits. The GPIOx_ODR bits can always be accessed directly. The GPIOx_BSRR register provides a way of performing atomic bitwise handling.

There is no need for the software to disable interrupts when programming the GPIOx_ODR at bit level: it is possible to modify one or more bits in a single atomic AHB write access.

7.3.6 GPIO locking mechanism

It is possible to freeze the GPIO control registers by applying a specific write sequence to the GPIOx_LCKR register. The frozen registers are GPIOx_MODER, GPIOx_OTYPER, GPIOx_OSPEEDR, GPIOx_PUPDR, GPIOx_AFRL and GPIOx_AFRH.

To write the GPIOx_LCKR register, a specific write / read sequence has to be applied. When the right LOCK sequence is applied to bit 16 in this register, the value of LCKR[15:0] is used to lock the configuration of the I/Os (during the write sequence the LCKR[15:0] value must be the same). When the LOCK sequence has been applied to a port bit, the value of the port bit can no longer be modified until the next MCU reset or peripheral reset. Each GPIOx_LCKR bit freezes the corresponding bit in the control registers (GPIOx_MODER, GPIOx_OTYPER, GPIOx_OSPEEDR, GPIOx_PUPDR, GPIOx_AFRL and GPIOx_AFRH).

The LOCK sequence (refer to GPIO port bit set/register (GPIOxB_BSRR)) can only be performed using a word (32-bit long) access to the GPIOx_LCKR register due to the fact that GPIOx_LCKR bit 16 has to be set at the same time as the [15:0] bits.

For more details refer to the LCKR register description in GPIO port bit set/register (GPIOxB_BSRR).

7.3.7 I/O alternate function input/output

Two registers are provided to select one of the alternate function inputs/outputs available for each I/O. With these registers, the users can connect an alternate function to some other pin as required by their application.

This means that a number of possible peripheral functions are multiplexed on each GPIO using the GPIOx_AFRL and GPIOx_AFRH alternate function registers. The application can thus select any one of the possible functions for each I/O. The AF selection signal being common to the alternate function input and alternate function output, a single channel is selected for the alternate function input/output of a given I/O.

To know which functions are multiplexed on each GPIO pin, refer to [Section 4: I/O operating modes](#).

7.3.8 External interrupt/wakeup lines

All ports have external interrupt capability. To use external interrupt lines, the IO port must be configured in input mode. The interruption configuration (level/edge, polarity, mask) has to be done in the system controller (SYSCFG). See [Section 8: System controller \(SYSCFG\)](#).

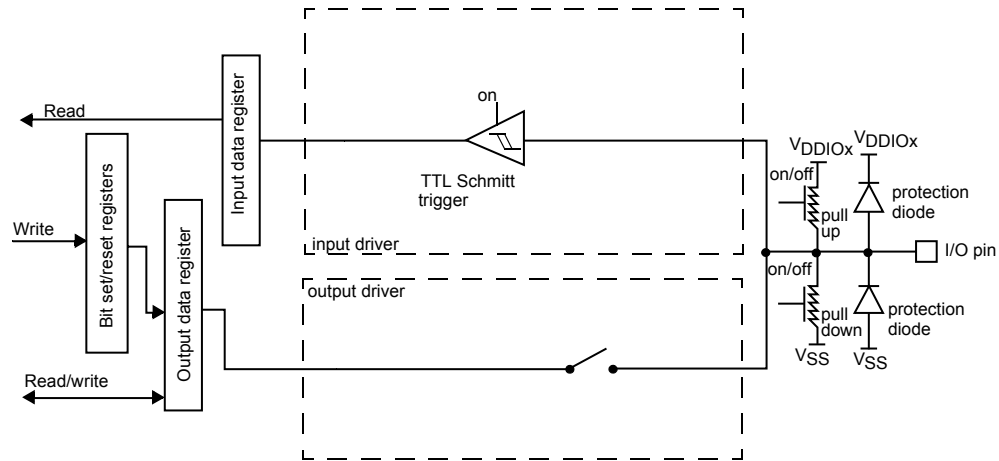
7.3.9 Input configuration

When the I/O port is programmed as input:

- The output buffer is disabled
- The Schmitt trigger input is activated
- The pull-up and pull-down resistors are activated depending on the value in the GPIOx_PUPDR register
- The data present on the I/O pin are sampled into the input data register every AHB clock cycle
- A read access to the input data register provides the I/O state.

[Figure 17. Input floating/pull-up/pull-down configurations](#) shows the input configuration of the I/O port bit.

Figure 17. Input floating/pull-up/pull-down configurations



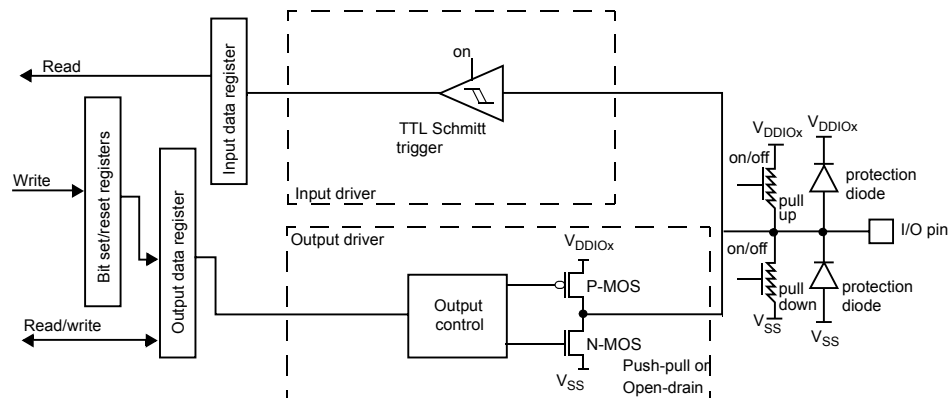
7.3.10 Output configuration

When the I/O port is programmed as output:

- The output buffer is enabled:
 - Open drain mode: A “0” in the Output register activates the N-MOS whereas a “1” in the Output register leaves the port in Hi-Z (the P-MOS is never activated)
 - Push-pull mode: A “0” in the Output register activates the N-MOS whereas a “1” in the Output register activates the P-MOS
- The Schmitt trigger input is activated
- The pull-up and pull-down resistors are activated depending on the value in the GPIOx_PUPDR register
- The data present on the I/O pin are sampled into the input data register every AHB clock cycle
- A read access to the input data register gets the I/Ostate
- A read access to the output data register gets the last written value

Figure 18. Output configuration shows the output configuration of the I/O port bit.

Figure 18. Output configuration



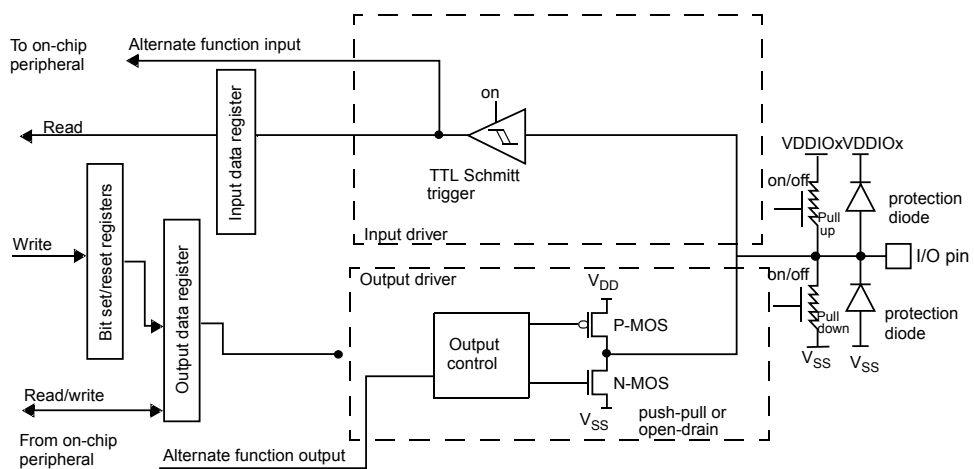
7.3.11 Alternate function configuration

When the I/O port is programmed as alternate function:

- The output buffer can be configured in open-drain or push-pull mode
- The output buffer is driven by the signals coming from the peripheral (transmitter enable and data)
- The Schmitt trigger input is activated
- The weak pull-up and pull-down resistors are activated or not depending on the value in the GPIOx_PUPDR register
- The data present on the I/O pin are sampled into the input data register every AHB clock cycle
- A read access to the input data register gets the I/O state.

Figure 19. Alternate function configuration shows the alternate function configuration of the I/O port bit.

Figure 19. Alternate function configuration



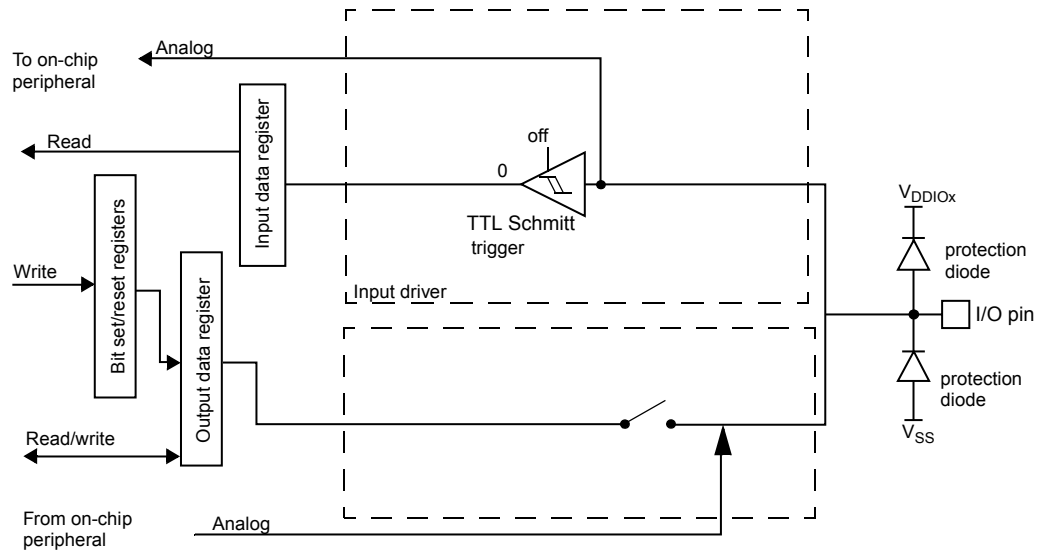
7.3.12 Analog configuration

When the I/O port is programmed as analog configuration:

- The output buffer is disabled
- The Schmitt trigger input is deactivated, providing zero consumption for every analog value of the I/O pin. The output of the Schmitt trigger is forced to a constant value (0).
- The pull-up and pull-down resistors have to be disabled by the software or else the associated analog feature does not work as expected.
- Read access to the input data register gets the value "0".

Figure 20. High impedance-analog configuration shows the high-impedance, analog-input configuration of the I/O port bit.

Figure 20. High impedance-analog configuration



7.3.13 Using the LSE oscillator pins as GPIOs

When the LSE oscillator is switched OFF (default state after reset), the related oscillator pins can be used as normal GPIOs.

When the oscillator is configured in user external clock mode, only the RCC_OSC32_IN pin is reserved for clock input and the RCC_OSC32_OUT pin can still be used as normal GPIO.

Note: The high speed oscillator (HSE) OSC_IN and OSC_OUT pins are dedicated oscillator pins and can not be used as GPIO.

7.4 GPIO registers

This section gives a detailed description of the GPIO registers.

For a summary of register bits, register address offsets and reset values, refer to [Table 18. GPIO register map and reset values](#). The peripheral registers can be written in word, half word or byte mode.

7.4.1 GPIOA port mode register (GPIOA_MODER)

Address offset: 0x00

Reset values:

- 0x0000 00A0

| | | | | | | | | | | | | | | | |
|------|------|------|------|------|------|------|------|-------------|----|-------------|----|------------|----|------------|----|
| 31 | 30 | 29 | 28 | 27 | 26 | 25 | 24 | 23 | 22 | 21 | 20 | 19 | 18 | 17 | 16 |
| Res. | Res. | Res. | Res. | Res. | Res. | Res. | Res. | MODE11[1:0] | | MODE10[1:0] | | MODE9[1:0] | | MODE8[1:0] | |
| | | | | | | | | rw | rw | rw | rw | rw | rw | rw | rw |
| 15 | 14 | 13 | 12 | 11 | 10 | 9 | 8 | 7 | 6 | 5 | 4 | 3 | 2 | 1 | 0 |
| Res. | Res. | Res. | Res. | Res. | Res. | Res. | Res. | MODE3[1:0] | | MODE2[1:0] | | MODE1[1:0] | | MODE0[1:0] | |
| | | | | | | | | rw | rw | rw | rw | rw | rw | rw | rw |

| | |
|-----------------|--|
| Bits 2y+1:2y | <p>MODEy[1:0]: Port A configuration bits (y = 0..15).</p> <p>These bits are written by software to configure the I/O mode.</p> <p>00: Input mode</p> <p>01: General purpose output mode</p> <p>10: Alternate function mode</p> <p>11: Analog mode</p> <p>Note: When configuring a pad in analog mode, the user must take care to disable the associated pull-up/down to avoid pollution on the analog signal.</p> |
|-----------------|--|

7.4.2 GPIOB port mode register (GPIOB_MODER)

Address offset: 0x00

Reset values:

- 0x0000 0000

| | | | | | | | | | | | | | | | |
|-------------|----|-------------|----|-------------|----|-------------|----|------------|------|------------|------|------------|------|------------|------|
| 31 | 30 | 29 | 28 | 27 | 26 | 25 | 24 | 23 | 22 | 21 | 20 | 19 | 18 | 17 | 16 |
| MODE15[1:0] | | MODE14[1:0] | | MODE13[1:0] | | MODE12[1:0] | | Res. | Res. | Res. | Res. | Res. | Res. | Res. | Res. |
| rw | rw | rw | rw | rw | rw | rw | rw | | | | | | | | |
| 15 | 14 | 13 | 12 | 11 | 10 | 9 | 8 | 7 | 6 | 5 | 4 | 3 | 2 | 1 | 0 |
| MODE7[1:0] | | MODE6[1:0] | | MODE5[1:0] | | MODE4[1:0] | | MODE3[1:0] | | MODE2[1:0] | | MODE1[1:0] | | MODE0[1:0] | |
| rw | rw | rw | rw | rw | rw | rw | rw | rw | rw | rw | rw | rw | rw | rw | rw |

| | |
|-----------------|--|
| Bits 2y+1:2y | <p>MODEy[1:0]: Port B configuration bits (y = 0..15).</p> <p>These bits are written by software to configure the I/O mode.</p> <p>00: Input mode</p> <p>01: General purpose output mode</p> <p>10: Alternate function mode</p> <p>11: Analog mode</p> <p>Note: When configuring a pad in analog mode, the user must take care to disable the associated pull-up/down to avoid pollution on the analog signal.</p> |
|-----------------|--|

7.4.3 GPIOA port output type register (GPIOA_OTYPER)

Address offset: 0x04

Reset value: 0x0000 0000

| | | | | | | | | | | | | | | | |
|------|------|------|------|------|------|------|------|------|------|------|------|------|------|------|------|
| 31 | 30 | 29 | 28 | 27 | 26 | 25 | 24 | 23 | 22 | 21 | 20 | 19 | 18 | 17 | 16 |
| Res. | Res. | Res. | Res. | Res. | Res. | Res. | Res. | Res. | Res. | Res. | Res. | Res. | Res. | Res. | Res. |
| 15 | 14 | 13 | 12 | 11 | 10 | 9 | 8 | 7 | 6 | 5 | 4 | 3 | 2 | 1 | 0 |
| Res. | Res. | Res. | Res. | OT11 | OT10 | OT9 | OT8 | Res. | Res. | Res. | Res. | OT3 | OT2 | OT1 | OT0 |
| | | | | rw | rw | rw | rw | | | | | rw | rw | rw | rw |

| | |
|------------|--|
| Bits 31:16 | Reserved, must be kept at reset value. |
| Bits 15:0 | <p>OTy: Port A configuration bits (y = 0..15).</p> <p>These bits are written by software to configure the I/O output type.</p> <p>0: Output push-pull (reset state)</p> <p>1: Output open-drain</p> |

7.4.4 GPIOB port output type register (GPIOB_OTYPER)

Address offset: 0x04

Reset value: 0x0000 0000

| | | | | | | | | | | | | | | | |
|------|------|------|------|------|------|------|------|------|------|------|------|------|------|------|------|
| 31 | 30 | 29 | 28 | 27 | 26 | 25 | 24 | 23 | 22 | 21 | 20 | 19 | 18 | 17 | 16 |
| Res. | Res. | Res. | Res. | Res. | Res. | Res. | Res. | Res. | Res. | Res. | Res. | Res. | Res. | Res. | Res. |
| 15 | 14 | 13 | 12 | 11 | 10 | 9 | 8 | 7 | 6 | 5 | 4 | 3 | 2 | 1 | 0 |
| OT15 | OT14 | OT13 | OT12 | Res. | Res. | Res. | Res. | OT7 | OT6 | OT5 | OT4 | OT3 | OT2 | OT1 | OT0 |
| rw | rw | rw | rw | | | | | rw | rw | rw | rw | rw | rw | rw | rw |

| | |
|------------|--|
| Bits 31:16 | Reserved, must be kept at reset value. |
| Bits 15:0 | <p>OTy: Port B configuration bits (y = 0..15).</p> <p>These bits are written by software to configure the I/O output type.</p> <p>0: Output push-pull (reset state)</p> <p>1: Output open-drain</p> |

7.4.5 GPIOA port output speed register (GPIOA_OSPEEDR)

Address offset: 0x08

Reset values:

- 0x0000 0030

| | | | | | | | | | | | | | | | |
|------|------|------|------|------|------|------|------|----------------|----|----------------|----|---------------|----|---------------|----|
| 31 | 30 | 29 | 28 | 27 | 26 | 25 | 24 | 23 | 22 | 21 | 20 | 19 | 18 | 17 | 16 |
| Res. | Res. | Res. | Res. | Res. | Res. | Res. | Res. | OSPEED11 [1:0] | | OSPEED10 [1:0] | | OSPEED9 [1:0] | | OSPEED8 [1:0] | |
| | | | | | | | | rw | rw | rw | rw | rw | rw | rw | rw |
| 15 | 14 | 13 | 12 | 11 | 10 | 9 | 8 | 7 | 6 | 5 | 4 | 3 | 2 | 1 | 0 |
| Res. | Res. | Res. | Res. | Res. | Res. | Res. | Res. | OSPEED3 [1:0] | | OSPEED2 [1:0] | | OSPEED1 [1:0] | | OSPEED0 [1:0] | |
| | | | | | | | | rw | rw | rw | rw | rw | rw | rw | rw |

| | |
|--------------|--|
| Bits 2y+1:2y | OSPEEDy[1:0]: Port A configuration bits (y = 0..15). These bits are written by software to configure the I/O output speed. |
|--------------|--|

7.4.6 GPIOB port output speed register (GPIOB_OSPEEDR)

Address offset: 0x08

Reset values:

- 0x0000 0000

| | | | | | | | | | | | | | | | |
|----------------|----|----------------|----|----------------|----|----------------|----|---------------|------|---------------|------|---------------|------|---------------|------|
| 31 | 30 | 29 | 28 | 27 | 26 | 25 | 24 | 23 | 22 | 21 | 20 | 19 | 18 | 17 | 16 |
| OSPEED15 [1:0] | | OSPEED14 [1:0] | | OSPEED13 [1:0] | | OSPEED12 [1:0] | | Res. | Res. | Res. | Res. | Res. | Res. | Res. | Res. |
| rw | rw | rw | rw | rw | rw | rw | rw | | | | | | | | |
| 15 | 14 | 13 | 12 | 11 | 10 | 9 | 8 | 7 | 6 | 5 | 4 | 3 | 2 | 1 | 0 |
| OSPEED7 [1:0] | | OSPEED6 [1:0] | | OSPEED5 [1:0] | | OSPEED4 [1:0] | | OSPEED3 [1:0] | | OSPEED2 [1:0] | | OSPEED1 [1:0] | | OSPEED0 [1:0] | |
| rw | rw | rw | rw | rw | rw | rw | rw | rw | rw | rw | rw | rw | rw | rw | rw |

| | |
|--------------|--|
| Bits 2y+1:2y | OSPEEDy[1:0]: Port B configuration bits (y = 0..15). These bits are written by software to configure the I/O output speed. |
|--------------|--|

7.4.7 GPIOA port pull-up/pull-down register (GPIOA_PUPDR)

Address offset: 0x0C

Reset values:

- 0x0055 0095

| | | | | | | | | | | | | | | | |
|------|------|------|------|------|------|------|------|-------------|----|-------------|----|------------|----|------------|----|
| 31 | 30 | 29 | 28 | 27 | 26 | 25 | 24 | 23 | 22 | 21 | 20 | 19 | 18 | 17 | 16 |
| Res. | Res. | Res. | Res. | Res. | Res. | Res. | Res. | PUPD11[1:0] | | PUPD10[1:0] | | PUPD9[1:0] | | PUPD8[1:0] | |
| | | | | | | | | rw | rw | rw | rw | rw | rw | rw | rw |
| 15 | 14 | 13 | 12 | 11 | 10 | 9 | 8 | 7 | 6 | 5 | 4 | 3 | 2 | 1 | 0 |
| Res. | Res. | Res. | Res. | Res. | Res. | Res. | Res. | PUPD3[1:0] | | PUPD2[1:0] | | PUPD1[1:0] | | PUPD0[1:0] | |
| | | | | | | | | rw | rw | rw | rw | rw | rw | rw | rw |

| | |
|--------------|---|
| Bits 2y+1:2y | PUPDy[1:0]: Port A configuration bits (y = 0..15). |
| | These bits are written by software to configure the I/O pull-up or pull-down. |
| | 00: No pull-up, pull-down |
| | 01: Pull-up |
| | 10: Pull-down |
| | 11: Reserved |

Note: When PWRC_CR1[4] = APC bit is set, GPIOA_PUPDR has no effect on the behavior. When PWRC_CR1[4] = APC bit is not set, GPIOA_PUPDR pull configuration is not effective under low power modes.

7.4.8 GPIOB port pull-up/pull-down register (GPIOB_PUPDR)

Address offset: 0x0C Reset values:

- 0x0055 5555

| | | | | | | | | | | | | | | | |
|-------------|----|-------------|----|-------------|----|-------------|----|------------|------|------------|------|------------|------|------------|------|
| 31 | 30 | 29 | 28 | 27 | 26 | 25 | 24 | 23 | 22 | 21 | 20 | 19 | 18 | 17 | 16 |
| PUPD15[1:0] | | PUPD14[1:0] | | PUPD13[1:0] | | PUPD12[1:0] | | Res. | Res. | Res. | Res. | Res. | Res. | Res. | Res. |
| rw | rw | rw | rw | rw | rw | rw | rw | | | | | | | | |
| 15 | 14 | 13 | 12 | 11 | 10 | 9 | 8 | 7 | 6 | 5 | 4 | 3 | 2 | 1 | 0 |
| PUPD7[1:0] | | PUPD6[1:0] | | PUPD5[1:0] | | PUPD4[1:0] | | PUPD3[1:0] | | PUPD2[1:0] | | PUPD1[1:0] | | PUPD0[1:0] | |
| rw | rw | rw | rw | rw | rw | rw | rw | rw | rw | rw | rw | rw | rw | rw | rw |

| | |
|--------------|---|
| Bits 2y+1:2y | PUPDy[1:0]: Port B configuration bits (y = 0..15). |
| | These bits are written by software to configure the I/O pull-up or pull-down. |
| | 00: No pull-up, pull-down |
| | 01: Pull-up |
| | 10: Pull-down |
| | 11: Reserved |

Note: When PWRC_CR1[4] = APC bit is set, GPIOB_PUPDR has no effect on the behavior. When PWRC_CR1[4] = APC bit is not set, GPIOB_PUPDR pull configuration is not effective under low power modes.

7.4.9 GPIOA port input data register (GPIOA_IDR)

Address offset: 0x10

Reset value: 0x0000 XXXX (where X means undefined)

| | | | | | | | | | | | | | | | |
|------|------|------|------|------|------|------|------|------|------|------|------|------|------|------|------|
| 31 | 30 | 29 | 28 | 27 | 26 | 25 | 24 | 23 | 22 | 21 | 20 | 19 | 18 | 17 | 16 |
| Res. | Res. | Res. | Res. | Res. | Res. | Res. | Res. | Res. | Res. | Res. | Res. | Res. | Res. | Res. | Res. |
| 15 | 14 | 13 | 12 | 11 | 10 | 9 | 8 | 7 | 6 | 5 | 4 | 3 | 2 | 1 | 0 |
| Res. | Res. | Res. | ID12 | ID11 | ID10 | ID9 | ID8 | Res. | Res. | Res. | Res. | ID3 | ID2 | ID1 | ID0 |
| | | | r | r | r | r | r | | | | | r | r | r | r |

| | |
|------------|--|
| Bits 31:16 | Reserved, must be kept at reset value. |
| Bits 15:0 | IDy : Port A input data bit (y = 0..15). These bits are read-only. They contain the input value of the corresponding I/O port. |

7.4.10 GPIOB port input data register (GPIOB_IDR)

Address offset: 0x10

Reset value: 0x0000 XXXX (where X means undefined)

| | | | | | | | | | | | | | | | |
|------|------|------|------|------|------|------|------|------|------|------|------|------|------|------|------|
| 31 | 30 | 29 | 28 | 27 | 26 | 25 | 24 | 23 | 22 | 21 | 20 | 19 | 18 | 17 | 16 |
| Res. | Res. | Res. | Res. | Res. | Res. | Res. | Res. | Res. | Res. | Res. | Res. | Res. | Res. | Res. | Res. |
| 15 | 14 | 13 | 12 | 11 | 10 | 9 | 8 | 7 | 6 | 5 | 4 | 3 | 2 | 1 | 0 |
| ID15 | ID14 | ID13 | ID12 | Res. | Res. | Res. | Res. | ID7 | ID6 | ID5 | ID4 | ID3 | ID2 | ID1 | ID0 |
| r | r | r | r | r | r | r | r | r | r | r | r | r | r | r | r |

| | |
|------------|--|
| Bits 31:16 | Reserved, must be kept at reset value. |
| Bits 15:0 | IDy : Port B input data bit (y = 0..15). These bits are read-only. They contain the input value of the corresponding I/O port. |

7.4.11 GPIOA port output data register (GPIOA_ODR)

Address offset: 0x14

Reset value: 0x0000 0000

| | | | | | | | | | | | | | | | |
|------|------|------|------|------|------|------|------|------|------|------|------|------|------|------|------|
| 31 | 30 | 29 | 28 | 27 | 26 | 25 | 24 | 23 | 22 | 21 | 20 | 19 | 18 | 17 | 16 |
| Res. | Res. | Res. | Res. | Res. | Res. | Res. | Res. | Res. | Res. | Res. | Res. | Res. | Res. | Res. | Res. |
| 15 | 14 | 13 | 12 | 11 | 10 | 9 | 8 | 7 | 6 | 5 | 4 | 3 | 2 | 1 | 0 |
| Res. | Res. | Res. | Res. | OD11 | OD10 | OD9 | OD8 | Res. | Res. | Res. | Res. | OD3 | OD2 | OD1 | OD0 |
| | | | | rw | rw | rw | rw | | | | | rw | rw | rw | rw |

| | |
|------------|---|
| Bits 31:16 | Reserved, must be kept at reset value. |
| Bits 15:0 | <p>ODy: Port A output data bit (y = 0..15).</p> <p>These bits can be read and written by software.</p> <p>Note: For atomic bit set/reset, the OD bits can be individually set and/or reset by writing to the GPIOx_BSRR or GPIOx_BRR registers (x = A, B).</p> |

7.4.12 GPIOB port output data register (GPIOB_ODR)

Address offset: 0x14

Reset value: 0x0000 0000

| | | | | | | | | | | | | | | | |
|------|------|------|------|------|------|------|------|------|------|------|------|------|------|------|------|
| 31 | 30 | 29 | 28 | 27 | 26 | 25 | 24 | 23 | 22 | 21 | 20 | 19 | 18 | 17 | 16 |
| Res. | Res. | Res. | Res. | Res. | Res. | Res. | Res. | Res. | Res. | Res. | Res. | Res. | Res. | Res. | Res. |
| 15 | 14 | 13 | 12 | 11 | 10 | 9 | 8 | 7 | 6 | 5 | 4 | 3 | 2 | 1 | 0 |
| OD15 | OD14 | OD13 | OD12 | Res. | Res. | Res. | Res. | OD7 | OD6 | OD5 | OD4 | OD3 | OD2 | OD1 | OD0 |
| rw | rw | rw | rw | | | | | rw | rw | rw | rw | rw | rw | rw | rw |

| | |
|------------|---|
| Bits 31:16 | Reserved, must be kept at reset value. |
| Bits 15:0 | <p>ODy: Port B output data bit (y = 0..15).</p> <p>These bits can be read and written by software.</p> <p>Note: For atomic bit set/reset, the OD bits can be individually set and/or reset by writing to the GPIOx_BSRR or GPIOx_BRR registers (x = A, B).</p> |

RM0529 - Rev 2

page 106/726

7.4.13 GPIOA port bit set/reset register (GPIOA_BSRR)

Address offset: 0x18

Reset value: 0x0000 0000

| | | | | | | | | | | | | | | | |
|------|------|------|------|------|------|-----|-----|------|------|------|------|-----|-----|-----|-----|
| 31 | 30 | 29 | 28 | 27 | 26 | 25 | 24 | 23 | 22 | 21 | 20 | 19 | 18 | 17 | 16 |
| Res. | Res. | Res. | Res. | BR11 | BR10 | BR9 | BR8 | Res. | Res. | Res. | Res. | BR3 | BR2 | BR1 | BR0 |
| | | | | w | w | w | w | | | | | w | w | w | w |
| 15 | 14 | 13 | 12 | 11 | 10 | 9 | 8 | 7 | 6 | 5 | 4 | 3 | 2 | 1 | 0 |
| Res. | Res. | Res. | Res. | BS11 | BS10 | BS9 | BS8 | Res. | Res. | Res. | Res. | BS3 | BS2 | BS1 | BS0 |
| | | | | w | w | w | w | | | | | w | w | w | w |

| | |
|------------|--|
| Bits 31:16 | BRy: Port A reset bit y (y = 0..15). These bits are write-only. A read to these bits returns the value 0x0000. 0: No action on the corresponding ODx bit 1: Resets the corresponding ODx bit Note: If both BSx and BRx are set, BSx has priority. |
| Bits 15:0 | BSy: Port A set bit y (y= 0..15). These bits are write-only. A read to these bits returns the value 0x0000. 0: No action on the corresponding ODx bit 1: Set the corresponding ODx bit |

7.4.14 GPIOB port bit set/reset register (GPIOB_BSRR)

Address offset: 0x18

Reset value: 0x0000 0000

| | | | | | | | | | | | | | | | |
|------|------|------|------|------|------|------|------|-----|-----|-----|-----|-----|-----|-----|-----|
| 31 | 30 | 29 | 28 | 27 | 26 | 25 | 24 | 23 | 22 | 21 | 20 | 19 | 18 | 17 | 16 |
| BR15 | BR14 | BR13 | BR12 | Res. | Res. | Res. | Res. | BR7 | BR6 | BR5 | BR4 | BR3 | BR2 | BR1 | BR0 |
| w | w | w | w | | | | | w | w | w | w | w | w | w | w |
| 15 | 14 | 13 | 12 | 11 | 10 | 9 | 8 | 7 | 6 | 5 | 4 | 3 | 2 | 1 | 0 |
| BS15 | BS14 | BS13 | BS12 | Res. | Res. | Res. | Res. | BS7 | BS6 | BS5 | BS4 | BS3 | BS2 | BS1 | BS0 |
| w | w | w | w | | | | | w | w | w | w | w | w | w | w |

| | |
|------------|--|
| Bits 31:16 | BRy: Port B reset bit y (y = 0..15). These bits are write-only. A read to these bits returns the value 0x0000. 0: No action on the corresponding ODx bit 1: Resets the corresponding ODx bit Note: If both BSx and BRx are set, BSx has priority. |
| Bits 15:0 | BSy: Port B set bit y (y= 0..15). These bits are write-only. A read to these bits returns the value 0x0000. 0: No action on the corresponding ODx bit 1: Set the corresponding ODx bit |

7.4.15 GPIOA port configuration lock register (GPIOA_LCKR)

This register is used to lock the configuration of the port bits when a correct write sequence is applied to bit 16 (LCKK). The value of bits [15:0] is used to lock the configuration of the GPIO. During the write sequence, the value of LCKR[15:0] must not change. When the LOCK sequence has been applied on a port bit, the value of this port bit can no longer be modified until the next MCU reset or peripheral resets.

Note: A specific write sequence is used to write to the GPIOx_LCKR register. Only word access (32-bit long) is allowed during this locking sequence.

Each lock bit freezes a specific configuration register (control and alternate function registers).

Address offset: 0x1C

Reset value: 0x0000 0000

| | | | | | | | | | | | | | | | |
|------|------|------|------|-------|-------|------|------|------|------|------|------|------|------|------|------|
| 31 | 30 | 29 | 28 | 27 | 26 | 25 | 24 | 23 | 22 | 21 | 20 | 19 | 18 | 17 | 16 |
| Res. | Res. | Res. | Res. | Res. | Res. | Res. | Res. | Res. | Res. | Res. | Res. | Res. | Res. | Res. | LCKK |
| | | | | | | | | | | | | | | | rw |
| 15 | 14 | 13 | 12 | 11 | 10 | 9 | 8 | 7 | 6 | 5 | 4 | 3 | 2 | 1 | 0 |
| Res. | Res. | Res. | Res. | LCK11 | LCK10 | LCK9 | LCK8 | Res. | Res. | Res. | Res. | LCK3 | LCK2 | LCK1 | LCK0 |
| | | | | rw | rw | rw | rw | | | | | rw | rw | rw | rw |

| | |
|---------------|---|
| Bits 31:17 | Reserved, must be kept at reset value. |
| Bit 16 | <p>LCKK: Lock key.</p> <p>This bit can be read any time. It can only be modified using the lock key write sequence. 0: Port configuration lock key not active</p> <p>0: Port configuration lock key not active</p> <p>1: Port configuration lock key active. The GPIOx_LCKR register is locked until the next MCU reset or peripheral reset. LOCK key write sequence:</p> <p>WR LCKR[16] = '1' + LCKR[15:0]</p> <p>WR LCKR[16] = '0' + LCKR[15:0]</p> <p>WR LCKR[16] = '1' + LCKR[15:0]</p> <p>RD LCKR</p> <p>RD LCKR[16] = '1' (this read operation is optional but it confirms that the lock is active)</p> <p>Note: During the LOCK key write sequence, the value of LCK[15:0] must not change. Any error in the lock sequence aborts the lock. After the first lock sequence on any bit of the port, any read access on the LCKK bit returns '1' until the next MCU reset or peripheral reset.</p> |
| Bits 15:0 | <p>LCKy: Port A lock bit y (y= 0..15).</p> <p>These bits are read/write but can only be written when the LCKK bit is '0', using the specific sequence described in LCKK bit description.</p> <p>0: Port configuration not locked</p> <p>1: Port configuration locked</p> |

7.4.16 GPIOB port configuration lock register (GPIOB_LCKR)

This register is used to lock the configuration of the port bits when a correct write sequence is applied to bit 16 (LCKK). The value of bits [15:0] is used to lock the configuration of the GPIO. During the write sequence, the value of LCKR[15:0] must not change. When the LOCK sequence has been applied on a port bit, the value of this port bit can no longer be modified until the next MCU reset or peripheral resets.

Note: A specific write sequence is used to write to the GPIOx_LCKR register. Only word access (32-bit long) is allowed during this locking sequence.

Each lock bit freezes a specific configuration register (control and alternate function registers).

Address offset: 0x1C

Reset value: 0x0000 0000

| | | | | | | | | | | | | | | | |
|-------|-------|-------|-------|------|------|------|------|------|------|------|------|------|------|------|------|
| 31 | 30 | 29 | 28 | 27 | 26 | 25 | 24 | 23 | 22 | 21 | 20 | 19 | 18 | 17 | 16 |
| Res. | Res. | Res. | Res. | Res. | Res. | Res. | Res. | Res. | Res. | Res. | Res. | Res. | Res. | Res. | LCKK |
| | | | | | | | | | | | | | | | rw |
| 15 | 14 | 13 | 12 | 11 | 10 | 9 | 8 | 7 | 6 | 5 | 4 | 3 | 2 | 1 | 0 |
| LCK15 | LCK14 | LCK13 | LCK12 | Res. | Res. | Res. | Res. | LCK7 | LCK6 | LCK5 | LCK4 | LCK3 | LCK2 | LCK1 | LCK0 |
| rw | rw | rw | rw | | | | | rw | rw | rw | rw | rw | rw | rw | rw |

| | |
|---------------|---|
| Bits 31:17 | Reserved, must be kept at reset value. |
| Bit 16 | <p>LCKK: Lock key.</p> <p>This bit can be read any time. It can only be modified using the lock key write sequence. 0: Port configuration lock key not active</p> <p>0: Port configuration lock key not active</p> <p>1: Port configuration lock key active. The GPIOx_LCKR register is locked until the next MCU reset or peripheral reset. LOCK key write sequence:</p> <p>WR LCKR[16] = '1' + LCKR[15:0]</p> <p>WR LCKR[16] = '0' + LCKR[15:0]</p> <p>WR LCKR[16] = '1' + LCKR[15:0]</p> <p>RD LCKR</p> <p>RD LCKR[16] = '1' (this read operation is optional but it confirms that the lock is active)</p> <p>Note: During the LOCK key write sequence, the value of LCK[15:0] must not change. Any error in the lock sequence aborts the lock. After the first lock sequence on any bit of the port, any read access on the LCKK bit returns '1' until the next MCU reset or peripheral reset.</p> |
| Bits 15:0 | <p>LCKy: Port B lock bit y (y= 0..15).</p> <p>These bits are read/write but can only be written when the LCKK bit is '0', using the specific sequence described in LCKK bit description.</p> <p>0: Port configuration not locked</p> <p>1: Port configuration locked</p> |

7.4.17 GPIOA alternate function low register (GPIOA_AFRL)

Address offset: 0x20

Reset value: 0x0000 0000

| | | | | | | | | | | | | | | | |
|-------------|------|------|------|-------------|------|------|------|-------------|------|------|------|-------------|------|------|------|
| 31 | 30 | 29 | 28 | 27 | 26 | 25 | 24 | 23 | 22 | 21 | 20 | 19 | 18 | 17 | 16 |
| Res. | Res. | Res. | Res. | Res. | Res. | Res. | Res. | Res. | Res. | Res. | Res. | Res. | Res. | Res. | Res. |
| 15 | 14 | 13 | 12 | 11 | 10 | 9 | 8 | 7 | 6 | 5 | 4 | 3 | 2 | 1 | 0 |
| AFSEL3[3:0] | | | | AFSEL2[3:0] | | | | AFSEL1[3:0] | | | | AFSEL0[3:0] | | | |
| rW | rW | rW | rW | rW | rW | rW | rW | rW | rW | rW | rW | rW | rW | rW | rW |

| | |
|-----------|---|
| Bits 31:0 | <p>y[3:0]: Alternate function selection for port A pin y (y = 0..7). These bits are written by software to configure alternate function I/Os. AFSELy selection: 0000: AF0 0001: AF1 0010: AF2 0011: AF3 0100: AF4 0110: AF6 others: Reserved</p> |
|-----------|---|

7.4.18 GPIOB alternate function low register (GPIOB_AFRL)

Address offset: 0x20

Reset value: 0x0000 0000

| | | | | | | | | | | | | | | | |
|-------------|----|----|----|-------------|----|----|----|-------------|----|----|----|-------------|----|----|----|
| 31 | 30 | 29 | 28 | 27 | 26 | 25 | 24 | 23 | 22 | 21 | 20 | 19 | 18 | 17 | 16 |
| AFSEL7[3:0] | | | | AFSEL6[3:0] | | | | AFSEL5[3:0] | | | | AFSEL4[3:0] | | | |
| rW | rW | rW | rW | rW | rW | rW | rW | rW | rW | rW | rW | rW | rW | rW | rW |
| 15 | 14 | 13 | 12 | 11 | 10 | 9 | 8 | 7 | 6 | 5 | 4 | 3 | 2 | 1 | 0 |
| AFSEL3[3:0] | | | | AFSEL2[3:0] | | | | AFSEL1[3:0] | | | | AFSEL0[3:0] | | | |
| rW | rW | rW | rW | rW | rW | rW | rW | rW | rW | rW | rW | rW | rW | rW | rW |

| | |
|-----------|---|
| Bits 31:0 | <p>y[3:0]: Alternate function selection for port B pin y (y = 0..7). These bits are written by software to configure alternate function I/Os. AFSELy selection: 0000: AF0 0001: AF1 0010: AF2 0011: AF3 0100: AF4 0110: AF6 others: Reserved</p> |
|-----------|---|

7.4.19 GPIOA alternate function high register (GPIOA_AFRH)

Address offset: 0x24

Reset value: 0x0000 0000

| | | | | | | | | | | | | | | | |
|--------------|------|------|------|--------------|------|------|------|-------------|------|------|------|-------------|------|------|------|
| 31 | 30 | 29 | 28 | 27 | 26 | 25 | 24 | 23 | 22 | 21 | 20 | 19 | 18 | 17 | 16 |
| Res. | Res. | Res. | Res. | Res. | Res. | Res. | Res. | Res. | Res. | Res. | Res. | Res. | Res. | Res. | Res. |
| 15 | 14 | 13 | 12 | 11 | 10 | 9 | 8 | 7 | 6 | 5 | 4 | 3 | 2 | 1 | 0 |
| AFSEL11[3:0] | | | | AFSEL10[3:0] | | | | AFSEL9[3:0] | | | | AFSEL8[3:0] | | | |
| rw | rw | rw | rw | rw | rw | rw | rw | rw | rw | rw | rw | rw | rw | rw | rw |

| | |
|-----------|--|
| Bits 31:0 | <p>y[3:0]: Alternate function selection for port A pin y (y = 8..15). These bits are written by software to configure alternate function I/Os. AFSELY selection: 0000: AF0 0001: AF1 0010: AF2 0011: AF3 0100: AF4 0110: AF6 others: Reserved</p> |
|-----------|--|

7.4.20 GPIOB alternate function high register (GPIOB_AFRH)

Address offset: 0x24

Reset value: 0x0000 0000

| | | | | | | | | | | | | | | | |
|--------------|------|------|------|--------------|------|------|------|--------------|------|------|------|--------------|------|------|------|
| 31 | 30 | 29 | 28 | 27 | 26 | 25 | 24 | 23 | 22 | 21 | 20 | 19 | 18 | 17 | 16 |
| AFSEL15[3:0] | | | | AFSEL14[3:0] | | | | AFSEL13[3:0] | | | | AFSEL12[3:0] | | | |
| rw | rw | rw | rw | rw | rw | rw | rw | rw | rw | rw | rw | rw | rw | rw | rw |
| 15 | 14 | 13 | 12 | 11 | 10 | 9 | 8 | 7 | 6 | 5 | 4 | 3 | 2 | 1 | 0 |
| Res. | Res. | Res. | Res. | Res. | Res. | Res. | Res. | Res. | Res. | Res. | Res. | Res. | Res. | Res. | Res. |
| rw | rw | rw | rw | rw | rw | rw | rw | rw | rw | rw | rw | rw | rw | rw | rw |

| | |
|-----------|--|
| Bits 31:0 | <p>y[3:0]: Alternate function selection for port B pin y (y = 8..15). These bits are written by software to configure alternate function I/Os. AFSELY selection: 0000: AF0 0001: AF1 0010: AF2 0011: AF3 0100: AF4 0110: AF6 Others: Reserved</p> |
|-----------|--|

7.4.21 GPIOA port bit reset register (GPIOA_BRR)

Address offset: 0x28

Reset value: 0x0000 0000

| | | | | | | | | | | | | | | | |
|------|------|------|------|------|------|------|------|------|------|------|------|------|------|------|------|
| 31 | 30 | 29 | 28 | 27 | 26 | 25 | 24 | 23 | 22 | 21 | 20 | 19 | 18 | 17 | 16 |
| Res. | Res. | Res. | Res. | Res. | Res. | Res. | Res. | Res. | Res. | Res. | Res. | Res. | Res. | Res. | Res. |
| 15 | 14 | 13 | 12 | 11 | 10 | 9 | 8 | 7 | 6 | 5 | 4 | 3 | 2 | 1 | 0 |
| Res. | Res. | Res. | Res. | BR11 | BR10 | BR9 | BR8 | Res. | Res. | Res. | Res. | BR3 | BR2 | BR1 | BR0 |
| | | | | w | w | w | w | | | | | w | w | w | w |

| | |
|-----------|---|
| Bits 15:0 | <p>BRy: Port A reset bit y (y = 0..15).</p> <p>These bits are write-only. A read to these bits returns the value 0x0000.</p> <p>0: No action on the corresponding ODx bit</p> <p>1: Resets the corresponding ODx bit</p> |
|-----------|---|

7.4.22 GPIOB port bit reset register (GPIOB_BRR)

Address offset: 0x28

Reset value: 0x0000 0000

| | | | | | | | | | | | | | | | |
|------|------|------|------|------|------|------|------|------|------|------|------|------|------|------|------|
| 31 | 30 | 29 | 28 | 27 | 26 | 25 | 24 | 23 | 22 | 21 | 20 | 19 | 18 | 17 | 16 |
| Res. | Res. | Res. | Res. | Res. | Res. | Res. | Res. | Res. | Res. | Res. | Res. | Res. | Res. | Res. | Res. |
| 15 | 14 | 13 | 12 | 11 | 10 | 9 | 8 | 7 | 6 | 5 | 4 | 3 | 2 | 1 | 0 |
| BR15 | BR14 | BR13 | BR12 | Res. | Res. | Res. | Res. | BR7 | BR6 | BR5 | BR4 | BR3 | BR2 | BR1 | BR0 |
| w | w | w | w | | | | | w | w | w | w | w | w | w | w |

| | |
|-----------|---|
| Bits 15:0 | <p>BRy: Port B reset bit y (y = 0..15).</p> <p>These bits are write-only. A read to these bits returns the value 0x0000.</p> <p>0: No action on the corresponding ODx bit</p> <p>1: Resets the corresponding ODx bit</p> |
|-----------|---|

7.4.23 GPIO register map

The following table gives the GPIO register map and reset values.

Table 18. GPIO register map and reset values

| Offset | Register | 31 | 30 | 29 | 28 | 27 | 26 | 25 | 24 | 23 | 22 | 21 | 20 | 19 | 18 | 17 | 16 | 15 | 14 | 13 | 12 | 11 | 10 | 9 | 8 | 7 | 6 | 5 | 4 | 3 | 2 | 1 | 0 | |
|--------|---------------|-------------|------|-------------|------|------|-------------|------|------|---------------|------|---------------|------|--------------|------|--------------|------|------------|------|------------|------|------|------------|------|------------|--------------|------------|--------------|------------|--------------|------------|--------------|------------|------|
| 0x00 | GPIOA_MODER | Res. | Res. | Res. | Res. | Res. | Res. | Res. | Res. | MODE11[1:0] | | MODE10[1:0] | | MODE9[1:0] | | MODE8[1:0] | | Res. | Res. | Res. | Res. | Res. | Res. | Res. | Res. | MODE3[1:0] | | MODE2[1:0] | | MODE1[1:0] | | MODE0[1:0] | | |
| | Reset value | | | | | | | | | 0 | 0 | 0 | 0 | 0 | 0 | 0 | 0 | | | | | | | | | | 1 | 0 | 1 | 0 | 0 | 0 | 0 | 0 |
| 0x00 | GPIOB_MODER | MODE15[1:0] | | MODE14[1:0] | | | MODE13[1:0] | | | MODE12[1:0] | | Res. | Res. | Res. | Res. | Res. | Res. | MODE7[1:0] | | MODE6[1:0] | | | MODE5[1:0] | | MODE4[1:0] | | MODE3[1:0] | | MODE2[1:0] | | MODE1[1:0] | | MODE0[1:0] | |
| | Reset value | 0 | 0 | 0 | 0 | 0 | 0 | 0 | 0 | | | | | | | | | 0 | 0 | 0 | 0 | 0 | 0 | 0 | 0 | 0 | 0 | 0 | 0 | 0 | 0 | 0 | 0 | 0 |
| 0x04 | GPIOA_OTYPER | Res. | Res. | Res. | Res. | Res. | Res. | Res. | Res. | Res. | Res. | Res. | Res. | Res. | Res. | Res. | Res. | Res. | Res. | Res. | Res. | Res. | Res. | Res. | Res. | Res. | Res. | Res. | Res. | Res. | Res. | Res. | Res. | Res. |
| | Reset value | | | | | | | | | | | | | | | | | | | | | 0 | 0 | 0 | 0 | 0 | 0 | 0 | 0 | 0 | 0 | 0 | 0 | 0 |
| 0x04 | GPIOB_OTYPER | Res. | Res. | Res. | Res. | Res. | Res. | Res. | Res. | Res. | Res. | Res. | Res. | Res. | Res. | Res. | Res. | Res. | OT15 | OT14 | OT13 | OT12 | Res. | Res. | Res. | Res. | OT7 | OT6 | OT5 | OT4 | OT3 | OT2 | OT1 | OT0 |
| | Reset value | | | | | | | | | | | | | | | | | | 0 | 0 | 0 | 0 | | | | | 0 | 0 | 0 | 0 | 0 | 0 | 0 | 0 |
| 0x08 | GPIOA_OSPEEDR | Res. | Res. | Res. | Res. | Res. | Res. | Res. | Res. | OSPEED11[1:0] | | OSPEED10[1:0] | | OSPEED9[1:0] | | OSPEED8[1:0] | | Res. | Res. | Res. | Res. | Res. | Res. | Res. | Res. | OSPEED3[1:0] | | OSPEED2[1:0] | | OSPEED1[1:0] | | OSPEED0[1:0] | | |
| | Reset value | | | | | | | | | 0 | 0 | 0 | 0 | 0 | 0 | 0 | 0 | | | | | | | | | 0 | 0 | 1 | 1 | 0 | 0 | 0 | 0 | 0 |

| Offset | Register | 31 | 30 | 29 | 28 | 27 | 26 | 25 | 24 | 23 | 22 | 21 | 20 | 19 | 18 | 17 | 16 | 15 | 14 | 13 | 12 | 11 | 10 | 9 | 8 | 7 | 6 | 5 | 4 | 3 | 2 | 1 | 0 |
|--------|---------------|---------------|------|---------------|------|---------------|------|---------------|------|--------------|------|--------------|------|-------------|------|-------------|------|--------------|------|--------------|------|--------------|------|--------------|------|--------------|------|--------------|------|--------------|-----|--------------|-----|
| 0x08 | GPIOB_OSPEEDR | OSPEED15[1:0] | | OSPEED14[1:0] | | OSPEED13[1:0] | | OSPEED12[1:0] | | Res. | Res. | Res. | Res. | Res. | Res. | Res. | Res. | OSPEED7[1:0] | | OSPEED6[1:0] | | OSPEED5[1:0] | | OSPEED4[1:0] | | OSPEED3[1:0] | | OSPEED2[1:0] | | OSPEED1[1:0] | | OSPEED0[1:0] | |
| | Reset value | 0 | 0 | 0 | 0 | 0 | 0 | 0 | 0 | | | | | | | | | 0 | 0 | 0 | 0 | 0 | 0 | 0 | 0 | 0 | 0 | 0 | 0 | 0 | 0 | 0 | 0 |
| 0x0C | GPIOA_PUPDR | Res. | Res. | Res. | Res. | Res. | | Res. | | PUPDR11[1:0] | | PUPDR10[1:0] | | PUPDR9[1:0] | | PUPDR8[1:0] | | Res. | Res. | Res. | Res. | Res. | Res. | Res. | Res. | PUPDR3[1:0] | | PUPDR2[1:0] | | PUPDR1[1:0] | | PUPDR0[1:0] | |
| | Reset value | | | | | | | | | 0 | 1 | 0 | 1 | 0 | 1 | 0 | 1 | | | | | | | | | 1 | 0 | 0 | 1 | 0 | 1 | 0 | 1 |
| 0x0C | GPIOB_PUPDR | PUPDR15[1:0] | | PUPDR14[1:0] | | PUPDR13[1:0] | | PUPDR12[1:0] | | Res. | Res. | Res. | Res. | Res. | Res. | Res. | Res. | PUPDR7[1:0] | | PUPDR6[1:0] | | PUPDR5[1:0] | | PUPDR4[1:0] | | PUPDR3[1:0] | | PUPDR2[1:0] | | PUPDR1[1:0] | | PUPDR0[1:0] | |
| | Reset value | 0 | 1 | 0 | 1 | 0 | 1 | 0 | 1 | | | | | | | | | 0 | 1 | 0 | 1 | 0 | 0 | 0 | 1 | 0 | 1 | 0 | 1 | 0 | 1 | 0 | 1 |
| 0x10 | GPIOA_IDR | Res. | Res. | Res. | Res. | Res. | Res. | Res. | Res. | Res. | Res. | Res. | Res. | Res. | Res. | Res. | Res. | Res. | Res. | Res. | Res. | ID11 | ID10 | ID9 | ID8 | Res. | Res. | Res. | Res. | ID3 | ID2 | ID1 | ID0 |
| | Reset value | | | | | | | | | | | | | | | | | | | | | x | x | x | x | | | | x | x | x | x | |
| 0x10 | GPIOB_IDR | Res. | Res. | Res. | Res. | Res. | Res. | Res. | Res. | Res. | Res. | Res. | Res. | Res. | Res. | Res. | Res. | ID15 | ID14 | ID13 | ID12 | Res. | Res. | Res. | Res. | ID7 | ID6 | ID5 | ID4 | ID3 | ID2 | ID1 | ID0 |
| | Reset value | | | | | | | | | | | | | | | | | x | x | x | x | | | | | x | x | x | x | x | x | x | x |

| Offset | Register | 31 | 30 | 29 | 28 | 27 | 26 | 25 | 24 | 23 | 22 | 21 | 20 | 19 | 18 | 17 | 16 | 15 | 14 | 13 | 12 | 11 | 10 | 9 | 8 | 7 | 6 | 5 | 4 | 3 | 2 | 1 | 0 |
|--------|-------------|------|------|------|------|------|------|------|------|------|------|------|------|------|------|------|------|------|------|------|------|-------|-------|------|------|------|------|------|------|------|------|------|------|
| 0x14 | GPIOA_ODR | Res. | Res. | Res. | Res. | Res. | Res. | Res. | Res. | Res. | Res. | Res. | Res. | Res. | Res. | Res. | Res. | Res. | Res. | Res. | Res. | OD11 | OD10 | OD9 | OD8 | Res. | Res. | Res. | Res. | OD3 | OD2 | OD1 | OD0 |
| | Reset value | | | | | | | | | | | | | | | | | | | | | 0 | 0 | 0 | 0 | | | | | 0 | 0 | 0 | 0 |
| 0x14 | GPIOB_ODR | Res. | Res. | Res. | Res. | Res. | Res. | Res. | Res. | Res. | Res. | Res. | Res. | Res. | Res. | Res. | Res. | OD15 | OD14 | OD13 | OD12 | | | | | OD7 | OD6 | OD5 | OD4 | OD3 | OD2 | OD1 | OD0 |
| | Reset value | | | | | | | | | | | | | | | | | 0 | 0 | 0 | 0 | | | | | 0 | 0 | 0 | 0 | 0 | 0 | 0 | 0 |
| 0x18 | GPIOA_BSRR | Res. | Res. | Res. | Res. | BR11 | BR10 | BR9 | BR8 | Res. | Res. | Res. | Res. | BR3 | BR2 | BR1 | BR0 | Res. | Res. | Res. | Res. | BS11 | BS10 | BS9 | BS8 | Res. | Res. | Res. | Res. | BS3 | BS2 | BS1 | BS0 |
| | Reset value | | | | | 0 | 0 | 0 | 0 | | | | | 0 | 0 | 0 | 0 | | | | | 0 | 0 | 0 | 0 | | | | | 0 | 0 | 0 | 0 |
| 0x18 | GPIOB_BSRR | BR15 | BR14 | BR13 | BR12 | Res. | Res. | Res. | Res. | BR7 | BR6 | BR5 | BR4 | BR3 | BR2 | BR1 | BR0 | BS15 | BS14 | BS13 | BS12 | BS11 | Res. | Res. | Res. | BS7 | BS6 | BS5 | BS4 | BS3 | BS2 | BS1 | BS0 |
| | Reset value | 0 | 0 | 0 | 0 | | | | | 0 | 0 | 0 | 0 | 0 | 0 | 0 | 0 | 0 | 0 | 0 | 0 | 0 | 0 | 0 | | 0 | 0 | 0 | 0 | 0 | 0 | 0 | 0 |
| 0x1C | GPIOA_LCKR | Res. | Res. | Res. | Res. | Res. | Res. | Res. | Res. | Res. | Res. | Res. | Res. | Res. | Res. | Res. | LCKK | Res. | Res. | Res. | Res. | LCK11 | LCK10 | LCK9 | LCK8 | Res. | Res. | Res. | Res. | LCK3 | LCK2 | LCK1 | LCK0 |
| | Reset value | | | | | | | | | | | | | | | | 0 | | | | | 0 | 0 | 0 | 0 | | | | | 0 | 0 | 0 | 0 |

| Offset | Register | 31 | 30 | 29 | 28 | 27 | 26 | 25 | 24 | 23 | 22 | 21 | 20 | 19 | 18 | 17 | 16 | 15 | 14 | 13 | 12 | 11 | 10 | 9 | 8 | 7 | 6 | 5 | 4 | 3 | 2 | 1 | 0 | |
|--------|-------------|--------------|------|------|------|--------------|------|------|------|--------------|------|------|------|--------------|------|------|------|--------------|-------|-------|-------|--------------|------|------|------|-------------|------|------|------|-------------|------|------|------|------|
| 0x1C | GPIOB_LCKR | Res. | Res. | Res. | Res. | Res. | Res. | Res. | Res. | Res. | Res. | Res. | Res. | Res. | Res. | Res. | LCKK | LCK15 | LCK14 | LCK13 | LCK12 | Res. | Res. | Res. | Res. | LCK7 | LCK6 | LCK5 | LCK4 | LCK3 | LCK2 | LCK1 | LCK0 | |
| | Reset value | | | | | | | | | | | | | | | | 0 | 0 | 0 | 0 | 0 | | | | | 0 | 0 | 0 | 0 | 0 | 0 | 0 | 0 | |
| 0x20 | GPIOA_AFRL | Res. | Res. | Res. | Res. | Res. | Res. | Res. | Res. | Res. | Res. | Res. | Res. | Res. | Res. | Res. | Res. | AFSEL3[3:0] | | | | AFSEL2[3:0] | | | | AFSEL1[3:0] | | | | AFSEL0[3:0] | | | | |
| | Reset value | | | | | | | | | | | | | | | | | 0 | 0 | 0 | 0 | 0 | 0 | 0 | 0 | 0 | 0 | 0 | 0 | 0 | 0 | 0 | 0 | |
| 0x20 | GPIOB_AFRL | AFSEL7[3:0] | | | | AFSEL6[3:0] | | | | AFSEL5[3:0] | | | | AFSEL4[3:0] | | | | AFSEL3[3:0] | | | | AFSEL2[3:0] | | | | AFSEL1[3:0] | | | | AFSEL0[3:0] | | | | |
| | Reset value | 0 | 0 | 0 | 0 | 0 | 0 | 0 | 0 | 0 | 0 | 0 | 0 | 0 | 0 | 0 | 0 | 0 | 0 | 0 | 0 | 0 | 0 | 0 | 0 | 0 | 0 | 0 | 0 | 0 | 0 | 0 | 0 | |
| 0x24 | GPIOA_AFRH | Res. | Res. | Res. | Res. | Res. | Res. | Res. | Res. | Res. | Res. | Res. | Res. | Res. | Res. | Res. | Res. | AFSEL11[3:0] | | | | AFSEL10[3:0] | | | | AFSEL9[3:0] | | | | AFSEL8[3:0] | | | | |
| | Reset value | | | | | | | | | | | | | | | | | 0 | 0 | 0 | 0 | 0 | 0 | 0 | 0 | 0 | 0 | 0 | 0 | 0 | 0 | 0 | 0 | |
| 0x24 | GPIOB_AFRH | AFSEL15[3:0] | | | | AFSEL14[3:0] | | | | AFSEL13[3:0] | | | | AFSEL12[3:0] | | | | Res. | Res. | Res. | Res. | Res. | Res. | Res. | Res. | Res. | Res. | Res. | Res. | Res. | Res. | Res. | Res. | Res. |
| | Reset value | 0 | 0 | 0 | 0 | 0 | 0 | 0 | 0 | 0 | 0 | 0 | 0 | 0 | 0 | 0 | 0 | | | | | | | | | | | | | | | | | |
| 0x28 | GPIOA_BRR | Res. | Res. | Res. | Res. | Res. | Res. | Res. | Res. | Res. | Res. | Res. | Res. | Res. | Res. | Res. | Res. | Res. | Res. | Res. | Res. | Res. | BR11 | BR10 | BR9 | BR8 | Res. | Res. | Res. | Res. | BR3 | BR2 | BR1 | BR0 |
| | Reset value | | | | | | | | | | | | | | | | | | | | | | 0 | 0 | 0 | 0 | | | | | 0 | 0 | 0 | 0 |

| Offset | Register | 31 | 30 | 29 | 28 | 27 | 26 | 25 | 24 | 23 | 22 | 21 | 20 | 19 | 18 | 17 | 16 | 15 | 14 | 13 | 12 | 11 | 10 | 9 | 8 | 7 | 6 | 5 | 4 | 3 | 2 | 1 | 0 |
|--------|-------------|------|------|------|------|------|------|------|------|------|------|------|------|------|------|------|------|------|------|------|------|------|------|------|------|-----|-----|-----|-----|-----|-----|-----|-----|
| 0x28 | GPIOB_BRR | Res. | Res. | Res. | Res. | Res. | Res. | Res. | Res. | Res. | Res. | Res. | Res. | Res. | Res. | Res. | Res. | BR15 | BR14 | BR13 | BR12 | Res. | Res. | Res. | Res. | BR7 | BR6 | BR5 | BR4 | BR3 | BR2 | BR1 | BR0 |
| | Reset value | | | | | | | | | | | | | | | | | 0 | 0 | 0 | 0 | | | | | 0 | 0 | 0 | 0 | 0 | 0 | 0 | 0 |

Refer to [Table 3. STM32WB05xZ memory map and peripheral register boundary addresses](#) for the register boundary addresses.



8 System controller (SYSCFG)

The system controller is a set of registers (configuration, control and status) linked to system features of the STM32WB05xZ device.

8.1 SYSCFG main features

The system controller set of registers are mainly linked to:

- Provide the JTAG_ID, Die ID and cut version
- Manage the interrupts linked to GPIO feature
- Manage the interrupts linked to the power controller (PWRC)
- Manage the interrupt linked to MR_BLE reception and transmission sequences
- Enable/disable I²C fast-mode plus driving capability on some I/Os

Note: This peripheral is in the non-retained power domain so all settings done in the associated registers are lost after a Deepstop.

8.2 System controller registers

8.2.1 Die ID register (DIE_ID)

This register provides the device version and cut information.

Address offset: 0x00

Reset value: 0x0000 0120

| | | | | | | | | | | | | | | | |
|------|------|------|------|--------------|------|------|------|--------------|------|------|------|---------------|------|------|------|
| 31 | 30 | 29 | 28 | 27 | 26 | 25 | 24 | 23 | 22 | 21 | 20 | 19 | 18 | 17 | 16 |
| Res. | Res. | Res. | Res. | Res. | Res. | Res. | Res. | Res. | Res. | Res. | Res. | Res. | Res. | Res. | Res. |
| 15 | 14 | 13 | 12 | 11 | 10 | 9 | 8 | 7 | 6 | 5 | 4 | 3 | 2 | 1 | 0 |
| Res. | Res. | Res. | Res. | PRODUCT[3:0] | | | | VERSION[3:0] | | | | REVISION[3:0] | | | |
| | | | | r | r | r | r | r | r | r | r | r | r | r | r |

| | |
|------------|--|
| Bits 31:12 | Reserved, must be kept at reset value |
| Bits 11:8 | PRODUCT : Product version |
| Bits 7:4 | VERSION : Cut version |
| Bits 3:0 | REVISION : Cut revision (metal fix) |

8.2.2 JTAG ID register (JTAG_ID)

This register provides the JTAG ID of the STM32WB05xZ.

Note: The same information is also available through direct SWD access to test registers.

Address offset: 0x04

Reset value: 0x0202 8041

| | | | | | | | | | | | | | | | |
|---------------------|----|----|----|-------------------|----|----|----|----|----|----|----|----|----|----|------|
| 31 | 30 | 29 | 28 | 27 | 26 | 25 | 24 | 23 | 22 | 21 | 20 | 19 | 18 | 17 | 16 |
| VERSION_NUMBER[3:0] | | | | PART_NUMBER[15:4] | | | | | | | | | | | |
| r | r | r | r | r | r | r | r | r | r | r | r | r | r | r | r |
| 15 | 14 | 13 | 12 | 11 | 10 | 9 | 8 | 7 | 6 | 5 | 4 | 3 | 2 | 1 | 0 |
| PART_NUMBER[3:0] | | | | MANUF_ID[10:0] | | | | | | | | | | | Res. |
| r | r | r | r | r | r | r | r | r | r | r | r | r | r | r | r |

| | |
|------------|----------------------------------|
| Bits 31:28 | VERSION_NUMBER: Version. |
| Bits 27:12 | PART_NUMBER: Part number |
| Bits 11:1 | MANUF_ID: Manufacturer ID |
| Bit 0 | RESERVED |

8.2.3 I2C Fast-Mode Plus pin capability control register (I2C_FMP_CTRL)

This register allows activating the fast-mode Plus driving capability on I²C open-drain pads.

Address offset: 0x08

Reset value: 0x0000 0000

| | | | | | | | | | | | | | | | |
|------|------|------|------|------|------|------|------|------|------|------|------|--------------|--------------|--------------|--------------|
| 31 | 30 | 29 | 28 | 27 | 26 | 25 | 24 | 23 | 22 | 21 | 20 | 19 | 18 | 17 | 16 |
| Res. | Res. | Res. | Res. | Res. | Res. | Res. | Res. | Res. | Res. | Res. | Res. | Res. | Res. | Res. | Res. |
| 15 | 14 | 13 | 12 | 11 | 10 | 9 | 8 | 7 | 6 | 5 | 4 | 3 | 2 | 1 | 0 |
| Res. | Res. | Res. | Res. | Res. | Res. | Res. | Res. | Res. | Res. | Res. | Res. | I2C1_PB7_FMP | I2C1_PB6_FMP | I2C1_PA1_FMP | I2C1_PA0_FMP |
| | | | | | | | | | | | | rw | rw | rw | rw |

| | |
|-----------|---|
| Bits 31:4 | Reserved, must be kept at reset value. |
| Bit 3 | I2C1_PB7_FMP: I2C1 Fast-Mode Plus driving capability for I2C1_SDA on PB7 I/O. <ul style="list-style-type: none"> 0: PB7 pin operated in standard mode 1: FM+ mode is enabled on PB7 pin, and speed control is bypassed |
| Bit 2 | I2C1_PB6_FMP: I2C1 Fast-Mode Plus driving capability for I2C1_SCL on PB6 I/O. <ul style="list-style-type: none"> 0: PB6 pin operated in standard mode 1: FM+ mode is enabled on PB6 pin, and speed control is bypassed |
| Bit 1 | I2C1_PA1_FMP: I2C1 Fast-Mode Plus driving capability for I2C1_SDA on PA1 I/O. <ul style="list-style-type: none"> 0: PA1 pin operated in standard mode 1: FM+ mode is enabled on PA1 pin, and speed control is bypassed |
| Bit 0 | I2C1_PA0_FMP: I2C1 Fast-Mode Plus driving capability for I2C1_SCL on PA0 I/O. <ul style="list-style-type: none"> 0: PA0 pin operated in standard mode 1: FM+ mode is enabled on PA0 pin, and speed control is bypassed |

8.2.4 I/O interrupt detection type register (IO_DTR)

Address offset: 0x0C

Reset value: 0x0000 0000

| | | | | | | | | | | | | | | | |
|---------|---------|---------|---------|---------|---------|--------|--------|--------|--------|--------|--------|--------|--------|--------|--------|
| 31 | 30 | 29 | 28 | 27 | 26 | 25 | 24 | 23 | 22 | 21 | 20 | 19 | 18 | 17 | 16 |
| PB15_DT | PB14_DT | PB13_DT | PB12_DT | Res. | Res. | Res. | Res. | PB7_DT | PB6_DT | PB5_DT | PB4_DT | PB3_DT | PB2_DT | PB1_DT | PB0_DT |
| rW | rW | rW | rW | | | | | rW | rW | rW | rW | rW | rW | rW | rW |
| 15 | 14 | 13 | 12 | 11 | 10 | 9 | 8 | 7 | 6 | 5 | 4 | 3 | 2 | 1 | 0 |
| Res. | Res. | Res. | Res. | PA11_DT | PA10_DT | PA9_DT | PA8_DT | Res. | Res. | Res. | Res. | PA3_DT | PA2_DT | PA1_DT | PA0_DT |
| | | | | rW | rW | rW | rW | | | | | rW | rW | rW | rW |

| | |
|------------|--|
| Bits 31:16 | PBx_DT (x=15 to 0): Interrupt detection type for port B I/Os. <ul style="list-style-type: none"> • 0: Edge detection • 1: Level detection |
| Bits 15:0 | PAx_DT (x=15 to 0): Interrupt detection type for port A I/Os. <ul style="list-style-type: none"> • 0: Edge detection • 1: Level detection |

8.2.5 I/O interrupt edge register (IO_IBER)

Address offset: 0x10

Reset value: 0x0000 0000

| | | | | | | | | | | | | | | | |
|----------|----------|----------|----------|----------|----------|---------|---------|---------|---------|---------|---------|---------|---------|---------|---------|
| 31 | 30 | 29 | 28 | 27 | 26 | 25 | 24 | 23 | 22 | 21 | 20 | 19 | 18 | 17 | 16 |
| PB15_IBE | PB14_IBE | PB13_IBE | PB12_IBE | Res. | Res. | Res. | Res. | PB7_IBE | PB6_IBE | PB5_IBE | PB4_IBE | PB3_IBE | PB2_IBE | PB1_IBE | PB0_IBE |
| rW | rW | rW | rW | | | | | rW | rW | rW | rW | rW | rW | rW | rW |
| 15 | 14 | 13 | 12 | 11 | 10 | 9 | 8 | 7 | 6 | 5 | 4 | 3 | 2 | 1 | 0 |
| Res. | Res. | Res. | Res. | PA11_IBE | PA10_IBE | PA9_IBE | PA8_IBE | Res. | Res. | Res. | Res. | PA3_IBE | PA2_IBE | PA1_IBE | PA0_IBE |
| | | | | rW | rW | rW | rW | | | | | rW | rW | rW | rW |

| | |
|------------|---|
| Bits 31:16 | PBx_IBE (x=15 to 0): Interrupt edge selection for port B I/Os. <ul style="list-style-type: none"> • 0: Single edge detection • 1: Both edges detection |
| Bits 15:0 | PAx_IBE (x=15 to 0): Interrupt edge selection for port A I/Os. <ul style="list-style-type: none"> • 0: Single edge detection • 1: Both edges detection |

8.2.6 I/O interrupt polarity event register (IO_IIEVR)

Address offset: 0x14

Reset value: 0x0000 0000

| | | | | | | | | | | | | | | | |
|-----------|-----------|-----------|-----------|-----------|-----------|----------|----------|----------|----------|----------|----------|----------|----------|----------|----------|
| 31 | 30 | 29 | 28 | 27 | 26 | 25 | 24 | 23 | 22 | 21 | 20 | 19 | 18 | 17 | 16 |
| PB15_IIEV | PB14_IIEV | PB13_IIEV | PB12_IIEV | Res. | Res. | Res. | Res. | PB7_IIEV | PB6_IIEV | PB5_IIEV | PB4_IIEV | PB3_IIEV | PB2_IIEV | PB1_IIEV | PB0_IIEV |
| rW | rW | rW | rW | | | | | rW | rW | rW | rW | rW | rW | rW | rW |
| 15 | 14 | 13 | 12 | 11 | 10 | 9 | 8 | 7 | 6 | 5 | 4 | 3 | 2 | 1 | 0 |
| Res. | Res. | Res. | Res. | PA11_IIEV | PA10_IIEV | PA9_IIEV | PA8_IIEV | Res. | Res. | Res. | Res. | PA3_IIEV | PA2_IIEV | PA1_IIEV | PA0_IIEV |
| rW | rW | rW | rW | rW | rW | rW | rW | | | | | rW | rW | rW | rW |

| | |
|------------|---|
| Bits 31:16 | PBx_IIEV (x=15 to 0): Interrupt polarity event for port B I/Os. <ul style="list-style-type: none"> 0: Falling edge / low level 1: Rising edge / high level |
| Bits 15:0 | PAx_IIEV (x=15 to 0): Interrupt polarity event for port A I/Os. <ul style="list-style-type: none"> 0: Falling edge / low level 1: Rising edge / high level |

8.2.7 I/O interrupt enable register (IO_IER)

Address offset: 0x18

Reset value: 0x0000 0000

| | | | | | | | | | | | | | | | |
|----------|----------|----------|----------|----------|----------|---------|---------|---------|---------|---------|---------|---------|---------|---------|---------|
| 31 | 30 | 29 | 28 | 27 | 26 | 25 | 24 | 23 | 22 | 21 | 20 | 19 | 18 | 17 | 16 |
| PB15_IIE | PB14_IIE | PB13_IIE | PB12_IIE | Res. | Res. | Res. | Res. | PB7_IIE | PB6_IIE | PB5_IIE | PB4_IIE | PB3_IIE | PB2_IIE | PB1_IIE | PB0_IIE |
| rW | rW | rW | rW | | | | | rW | rW | rW | rW | rW | rW | rW | rW |
| 15 | 14 | 13 | 12 | 11 | 10 | 9 | 8 | 7 | 6 | 5 | 4 | 3 | 2 | 1 | 0 |
| Res. | Res. | Res. | Res. | PA11_IIE | PA10_IIE | PA9_IIE | PA8_IIE | Res. | Res. | Res. | Res. | PA3_IIE | PA2_IIE | PA1_IIE | PA0_IIE |
| | | | | rW | rW | rW | rW | | | | | rW | rW | rW | rW |

| | |
|------------|---|
| Bits 31:16 | PBx_IIE (x=15 to 0): Interrupt enable for port B I/Os. <ul style="list-style-type: none"> 0: Interrupt is disabled 1: Interrupt is enabled |
| Bits 15:0 | PAx_IIE (x=15 to 0): Interrupt enable for port A I/Os. <ul style="list-style-type: none"> 0: Interrupt is disabled 1: Interrupt is enabled |

8.2.8 I/O Interrupt status and clear register (IO_ISCR)

Address offset: 0x1C

Reset value: 0x0000 0000

| | | | | | | | | | | | | | | | |
|----------|----------|----------|----------|----------|----------|---------|---------|---------|---------|---------|---------|---------|---------|---------|---------|
| 31 | 30 | 29 | 28 | 27 | 26 | 25 | 24 | 23 | 22 | 21 | 20 | 19 | 18 | 17 | 16 |
| PB15_ISC | PB14_ISC | PB13_ISC | PB12_ISC | Res. | Res. | Res. | Res. | PB7_ISC | PB6_ISC | PB5_ISC | PB4_ISC | PB3_ISC | PB2_ISC | PB1_ISC | PB0_ISC |
| rc_w1 | rc_w1 | rc_w1 | rc_w1 | | | | | rc_w1 | rc_w1 | rc_w1 | rc_w1 | rc_w1 | rc_w1 | rc_w1 | rc_w1 |
| 15 | 14 | 13 | 12 | 11 | 10 | 9 | 8 | 7 | 6 | 5 | 4 | 3 | 2 | 1 | 0 |
| Res. | Res. | Res. | Res. | PA11_ISC | PA10_ISC | PA9_ISC | PA8_ISC | Res. | Res. | Res. | Res. | PA3_ISC | PA2_ISC | PA1_ISC | PA0_ISC |
| | | | | rc_w1 | rc_w1 | rc_w1 | rc_w1 | | | | | rc_w1 | rc_w1 | rc_w1 | rc_w1 |

| | |
|------------|--|
| Bits 31:16 | PBx_ISC (x=15 to 0): Interrupt status (before mask) for port B I/Os. <ul style="list-style-type: none"> 0: No pending interrupt 1: Event occurred on corresponding I/O / interrupt occurred (if enabled). Cleared by writing 1 in the bit |
| Bits 15:0 | PAx_ISC (x=15 to 0): Interrupt status (before mask) for port A I/Os. <ul style="list-style-type: none"> 0: No pending interrupt 1: Event occurred on corresponding I/O / interrupt occurred (if enabled). Cleared by writing 1 in the bit |

8.2.9 Power controller interrupt enable register (PWRC_IER)

This register allows control of the enable or mask on the interrupt sources of the power controller (PWRC) block.

Address offset: 0x20

Reset value: 0x0000 0000

| | | | | | | | | | | | | | | | |
|------|------|------|------|------|------|------|------|------|------|------|------|------|----------|---------|------|
| 31 | 30 | 29 | 28 | 27 | 26 | 25 | 24 | 23 | 22 | 21 | 20 | 19 | 18 | 17 | 16 |
| Res. | Res. | Res. | Res. | Res. | Res. | Res. | Res. | Res. | Res. | Res. | Res. | Res. | Res. | Res. | Res. |
| 15 | 14 | 13 | 12 | 11 | 10 | 9 | 8 | 7 | 6 | 5 | 4 | 3 | 2 | 1 | 0 |
| Res. | Res. | Res. | Res. | Res. | Res. | Res. | Res. | Res. | Res. | Res. | Res. | Res. | WKUP_IIE | PVD_IIE | Res. |
| | | | | | | | | | | | | | r/w | r/w | |

| | |
|-----------|---|
| Bits 31:3 | Reserved, must be kept at reset value. |
| Bit 2 | WKUP_IIE : Power controller wakeup event interrupt enable. <ul style="list-style-type: none"> • 0: Interrupt on wakeup event seen by the PWRC is disabled • 1: Interrupt on wakeup event seen by the PWRC is enabled |
| Bit 1 | PVD_IIE : Programmable voltage detector interrupt enable. <ul style="list-style-type: none"> • 0: PVD interrupt is disabled • 1: PVD interrupt is enabled |
| Bit 0 | Reserved, must be kept at reset value. |

8.2.10 Power controller interrupt status and clear register (PWRC_ISCR)

This register allows status checking, and clearing of the power controller (PWRC) block interrupt sources .

Address offset: 0x24

Reset value: 0x0000 0000

| | | | | | | | | | | | | | | | |
|------|------|------|------|------|------|------|------|------|------|------|------|------|----------|---------|------|
| 31 | 30 | 29 | 28 | 27 | 26 | 25 | 24 | 23 | 22 | 21 | 20 | 19 | 18 | 17 | 16 |
| Res. | Res. | Res. | Res. | Res. | Res. | Res. | Res. | Res. | Res. | Res. | Res. | Res. | Res. | Res. | Res. |
| 15 | 14 | 13 | 12 | 11 | 10 | 9 | 8 | 7 | 6 | 5 | 4 | 3 | 2 | 1 | 0 |
| Res. | Res. | Res. | Res. | Res. | Res. | Res. | Res. | Res. | Res. | Res. | Res. | Res. | WKUP_ISC | PVD_ISC | Res. |
| | | | | | | | | | | | | | rc_w1 | rc_w1 | |

| | |
|-----------|---|
| Bits 31:3 | Reserved, must be kept at reset value. |
| Bit 2 | <p>WKUP_ISC: Indicates the power controller receives a wakeup event.</p> <ul style="list-style-type: none"> 0: No pending interrupt 1: wakeup event on PWRC occurred / interrupt occurred (if enabled). Cleared by writing 1 in the bit. <p>This flag is read at 1 if a wakeup event arrives so close to the low-power mode entry requests that the PWRC aborts before shutting down the system.</p> |
| Bit 1 | <p>PVD_ISC: Programmable voltage detector status.</p> <ul style="list-style-type: none"> 0: No pending interrupt 1: Voltage went under programmed threshold / interrupt occurred (if enabled). <p>Cleared by writing 1 in the bit.</p> <p>See Section 5.3.2: Power voltage detection (PVD) for details.</p> |
| Bit 0 | Reserved, must be kept at default value. |

8.2.11 MR_BLE RX or TX sequence information detection type register (BLERXTX_DTR)

This register allows selecting the type of detection (level or edge) on RADIO_RX_SEQUENCE and RADIO_TX_SEQUENCE coming from the MR_BLE IP.

Address offset: 0x2C

Reset value: 0x0000 0000

| | | | | | | | | | | | | | | | |
|------|------|------|------|------|------|------|------|------|------|------|------|------|------|-------|-------|
| 31 | 30 | 29 | 28 | 27 | 26 | 25 | 24 | 23 | 22 | 21 | 20 | 19 | 18 | 17 | 16 |
| Res. | Res. | Res. | Res. | Res. | Res. | Res. | Res. | Res. | Res. | Res. | Res. | Res. | Res. | Res. | Res. |
| 15 | 14 | 13 | 12 | 11 | 10 | 9 | 8 | 7 | 6 | 5 | 4 | 3 | 2 | 1 | 0 |
| Res. | Res. | Res. | Res. | Res. | Res. | Res. | Res. | Res. | Res. | Res. | Res. | Res. | Res. | RX_DT | TX_DT |
| | | | | | | | | | | | | | | rw | rw |

| | |
|-----------|--|
| Bits 31:2 | Reserved, must be kept at reset value. |
| Bit 1 | RX_DT : Detection type on RADIO_RX_SEQUENCE signal: <ul style="list-style-type: none"> • 0: Detection on edge (default) • 1: Detection on level |
| Bit 0 | TX_DT : Detection type on RADIO_TX_SEQUENCE signal: <ul style="list-style-type: none"> • 0: Detection on edge (default) • 1: Detection on level |

8.2.12 MR_BLE RX or TX sequence information detection type register (BLERXTX_IBER)

This register is used to activate RADIO_RX_SEQUENCE and RADIO_TX_SEQUENCE signal detection on single edge or both edges when edge detection type is active.

Address offset: 0x30

Reset value: 0x0000 0000

| | | | | | | | | | | | | | | | |
|------|------|------|------|------|------|------|------|------|------|------|------|------|------|--------|--------|
| 31 | 30 | 29 | 28 | 27 | 26 | 25 | 24 | 23 | 22 | 21 | 20 | 19 | 18 | 17 | 16 |
| Res. | Res. | Res. | Res. | Res. | Res. | Res. | Res. | Res. | Res. | Res. | Res. | Res. | Res. | Res. | Res. |
| 15 | 14 | 13 | 12 | 11 | 10 | 9 | 8 | 7 | 6 | 5 | 4 | 3 | 2 | 1 | 0 |
| Res. | Res. | Res. | Res. | Res. | Res. | Res. | Res. | Res. | Res. | Res. | Res. | Res. | Res. | RX_IBE | TX_IBE |
| | | | | | | | | | | | | | | rw | rw |

| | |
|-----------|---|
| Bits 31:2 | Reserved, must be kept at reset value. |
| Bit 1 | RX_IBE: Interrupt edge register on RADIO_RX_SEQUENCE signal: <ul style="list-style-type: none"> • 0: Detection on single edge (default) • 1: Detection on both edges |
| Bit 0 | TX_IBE: Interrupt edge register on RADIO_TX_SEQUENCE signal: <ul style="list-style-type: none"> • 0: Detection on single edge(default) • 1: Detection on both edges |

8.2.13 MR_BLE RX or TX sequence information detection event register (BLERXTX_IEVR)

This register defines the polarity of the RADIO_RX_SEQUENCE and RADIO_TX_SEQUENCE signals detection.

Address offset: 0x34

Reset value: 0x0000 0000

| | | | | | | | | | | | | | | | |
|------|------|------|------|------|------|------|------|------|------|------|------|------|------|--------|--------|
| 31 | 30 | 29 | 28 | 27 | 26 | 25 | 24 | 23 | 22 | 21 | 20 | 19 | 18 | 17 | 16 |
| Res. | Res. | Res. | Res. | Res. | Res. | Res. | Res. | Res. | Res. | Res. | Res. | Res. | Res. | Res. | Res. |
| 15 | 14 | 13 | 12 | 11 | 10 | 9 | 8 | 7 | 6 | 5 | 4 | 3 | 2 | 1 | 0 |
| Res. | Res. | Res. | Res. | Res. | Res. | Res. | Res. | Res. | Res. | Res. | Res. | Res. | Res. | RX_IEV | TX_IEV |
| | | | | | | | | | | | | | | rw | rw |

| | |
|-----------|---|
| Bits 31:2 | Reserved, must be kept at reset value. |
| Bit 1 | RX_IEV: Interrupt polarity event on RADIO_RX_SEQUENCE signal: <ul style="list-style-type: none"> • 0: Detection on falling edge / low level (default) • 1: Detection on rising edge / high level |
| Bit 0 | TX_IEV: Interrupt polarity event on RADIO_TX_SEQUENCE signal: <ul style="list-style-type: none"> • 0: Detection on falling edge / low level (default) • 1: Detection on rising edge / high level |

8.2.14 MR_BLE RX or TX sequence information detection interrupt enable register (BLERXTX_IER)

This register defines the interrupt enable of the RADIO_RX_SEQUENCE and RADIO_TX_SEQUENCE signals.

Address offset: 0x38

Reset value: 0x0000 0000

| | | | | | | | | | | | | | | | |
|------|------|------|------|------|------|------|------|------|------|------|------|------|------|-------|-------|
| 31 | 30 | 29 | 28 | 27 | 26 | 25 | 24 | 23 | 22 | 21 | 20 | 19 | 18 | 17 | 16 |
| Res. | Res. | Res. | Res. | Res. | Res. | Res. | Res. | Res. | Res. | Res. | Res. | Res. | Res. | Res. | Res. |
| 15 | 14 | 13 | 12 | 11 | 10 | 9 | 8 | 7 | 6 | 5 | 4 | 3 | 2 | 1 | 0 |
| Res. | Res. | Res. | Res. | Res. | Res. | Res. | Res. | Res. | Res. | Res. | Res. | Res. | Res. | RX_IE | RX_IE |
| | | | | | | | | | | | | | | rw | rw |

| | |
|-----------|---|
| Bits 31:2 | Reserved, must be kept at reset value. |
| Bit 1 | RX_IE: RADIO_RX_SEQUENCE interrupt enable on RADIO_RX_SEQUENCE signal: <ul style="list-style-type: none"> • 0: RADIO_RX_SEQUENCE interrupt disabled (default) • 1: RADIO_RX_SEQUENCE interrupt enabled |
| Bit 0 | TX_IE: RADIO_TX_SEQUENCE interrupt enable on RADIO_TX_SEQUENCE signal: <ul style="list-style-type: none"> • 0: RADIO_TX_SEQUENCE interrupt disabled (default) • 1: RADIO_TX_SEQUENCE interrupt enabled |

8.2.15 MR_BLE RX or TX sequence information detection status and clear register (BLERXTX_ISCR)

This register allows checking the status and clear the interrupt linked to the RADIO_RX_SEQUENCE and RADIO_TX_SEQUENCE information provided by the MR_BLE IP.

Address offset: 0x3C

Reset value: 0x0000 0000

| | | | | | | | | | | | | | | | |
|------|------|------|------|------|------|------|------|------|------|------|------|------------|------------|--------|--------|
| 31 | 30 | 29 | 28 | 27 | 26 | 25 | 24 | 23 | 22 | 21 | 20 | 19 | 18 | 17 | 16 |
| Res. | Res. | Res. | Res. | Res. | Res. | Res. | Res. | Res. | Res. | Res. | Res. | Res. | Res. | Res. | Res. |
| 15 | 14 | 13 | 12 | 11 | 10 | 9 | 8 | 7 | 6 | 5 | 4 | 3 | 2 | 1 | 0 |
| Res. | Res. | Res. | Res. | Res. | Res. | Res. | Res. | Res. | Res. | Res. | Res. | RX_IS_EDGE | TX_ISEEDGE | RX_ISC | TX_ISC |
| | | | | | | | | | | | | r | r | rc_wc1 | rc_wr1 |

| | |
|-----------|--|
| Bits 31:4 | Reserved, must be kept at reset value |
| Bit3 | RX_ISEEDGE : interrupt edge status on RADIO_RX_SEQUENCE signal: <ul style="list-style-type: none"> • 0: falling edge on RADIO_RX_SEQUENCE detected • 1: rising edge on RADIO_RX_SEQUENCE detected |
| Bit2 | TX_ISEEDGE : interrupt edge status on RADIO_TX_SEQUENCE signal: <ul style="list-style-type: none"> • 0: falling edge on RADIO_TX_SEQUENCE detected • 1: rising edge on RADIO_TX_SEQUENCE detected |
| Bit 1 | RX_ISC : Interrupt status on RADIO_RX_SEQUENCE signal (can be a rising or a falling edge depending on BLERXTX_I_EVR and BLERXTX_I_BER): <ul style="list-style-type: none"> • 0: No activity on RADIO_RX_SEQUENCE detected • 1: Activity on RADIO_RX_SEQUENCE occurred |
| Bit 0 | TX_ISC : Interrupt status on RADIO_TX_SEQUENCE signal (can be a rising or a falling edge depending on BLERXTX_I_EVR and BLERXTX_I_BER): <ul style="list-style-type: none"> • 0: No activity on RADIO_TX_SEQUENCE detected • 1: Activity on RADIO_TX_SEQUENCE occurred |

8.2.16 System controller register map

Refer to [Table 3. STM32WB05xZ memory map and peripheral register boundary addresses](#) for the system controller base address location in the STM32WB05xZ.

Table 19. SYSCFG register map and reset values

| Offset | Register | 31 | 30 | 29 | 28 | 27 | 26 | 25 | 24 | 23 | 22 | 21 | 20 | 19 | 18 | 17 | 16 | 15 | 14 | 13 | 12 | 11 | 10 | 9 | 8 | 7 | 6 | 5 | 4 | 3 | 2 | 1 | 0 |
|--------|--------------|--------------------|----------|----------|----------|-------------|------|------|------|---------|---------|---------|---------|---------|---------|---------|---------|------|------|------|------|----------|----------|---------|---------|---------|------|------|------|----------|---------|---------|---------|
| 0x00 | DIE_ID | Res. | Res. | Res. | Res. | Res. | Res. | Res. | Res. | Res. | Res. | Res. | Res. | Res. | Res. | Res. | Res. | Res. | Res. | Res. | Res. | PRODUCT | | | | VERSION | | | | REVISION | | | |
| | Reset value | | | | | | | | | | | | | | | | | | | | | | 0 | 0 | 0 | 1 | 0 | 0 | 1 | 0 | 0 | 0 | 0 |
| 0x04 | JTAG_ID | VERSION_NUM BER | | | | PART_NUMBER | | | | | | | | | | | | | | | | MANUF_ID | | | | | | | | Res. | | | |
| | Reset value | 0 | 0 | 0 | 0 | 0 | 0 | 1 | 0 | 0 | 0 | 0 | 0 | 0 | 0 | 0 | 1 | 0 | 1 | 0 | 0 | 0 | 0 | 0 | 0 | 0 | 1 | 0 | 0 | 0 | 0 | 0 | 0 |
| 0x08 | I2C_FMP_CTRL | Res. | Res. | Res. | Res. | Res. | Res. | Res. | Res. | Res. | Res. | Res. | Res. | Res. | Res. | Res. | Res. | Res. | Res. | Res. | Res. | Res. | Res. | Res. | Res. | Res. | Res. | Res. | Res. | Res. | Res. | Res. | Res. |
| | Reset value | | | | | | | | | | | | | | | | | | | | | | | | | | | | | | 0 | 0 | 0 |
| 0x0C | IO_DTR | PB15_DT | PB14_DT | PB13_DT | PB12_DT | Res. | Res. | Res. | Res. | PB7_DT | PB6_DT | PB5_DT | PB4_DT | PB3_DT | PB2_DT | PB1_DT | PB0_DT | Res. | Res. | Res. | Res. | PA11_DT | PA10_DT | PA9_DT | PA8_DT | Res. | Res. | Res. | Res. | PA3_DT | PA2_DT | PA1_DT | PA0_DT |
| | Reset value | 0 | 0 | 0 | 0 | 0 | 0 | 0 | 0 | 0 | 0 | 0 | 0 | 0 | 0 | 0 | 0 | 0 | 0 | 0 | 0 | 0 | 0 | 0 | 0 | 0 | 0 | 0 | 0 | 0 | 0 | 0 | 0 |
| 0x10 | IO_IBER | PB15_IBE | PB14_IBE | PB13_IBE | PB12_IBE | Res. | Res. | Res. | Res. | PB7_IBE | PB6_IBE | PB5_IBE | PB4_IBE | PB3_IBE | PB2_IBE | PB1_IBE | PB0_IBE | Res. | Res. | Res. | Res. | PA11_IBE | PA10_IBE | PA9_IBE | PA8_IBE | Res. | Res. | Res. | Res. | PA3_IBE | PA2_IBE | PA1_IBE | PA0_IBE |
| | Reset value | 0 | 0 | 0 | 0 | 0 | 0 | 0 | 0 | 0 | 0 | 0 | 0 | 0 | 0 | 0 | 0 | 0 | 0 | 0 | 0 | 0 | 0 | 0 | 0 | 0 | 0 | 0 | 0 | 0 | 0 | 0 | 0 |

| Offset | Register | 31 | 30 | 29 | 28 | 27 | 26 | 25 | 24 | 23 | 22 | 21 | 20 | 19 | 18 | 17 | 16 | 15 | 14 | 13 | 12 | 11 | 10 | 9 | 8 | 7 | 6 | 5 | 4 | 3 | 2 | 1 | 0 | |
|--------|-------------|-----------|-----------|-----------|-----------|------|------|------|----------|----------|----------|----------|----------|----------|----------|----------|----------|------|------|------|------|-----------|-----------|----------|----------|------|------|------|-------|----------|----------|----------|----------|--|
| 0x10 | Reset value | 0 | 0 | 0 | 0 | 0 | 0 | 0 | 0 | 0 | 0 | 0 | 0 | 0 | 0 | 0 | 0 | 0 | 0 | 0 | 0 | 0 | 0 | 0 | 0 | 0 | 0 | 0 | 0 | 0 | 0 | 0 | 0 | |
| 0x14 | IO_IIEVR | PB15_IIEV | PB14_IIEV | PB13_IIEV | PB12_IIEV | Res. | Res. | Res. | PB8_IIEV | PB7_IIEV | PB6_IIEV | PB5_IIEV | PB4_IIEV | PB3_IIEV | PB2_IIEV | PB1_IIEV | PB0_IIEV | Res. | Res. | Res. | Res. | PA11_IIEV | PA10_IIEV | PA9_IIEV | PA8_IIEV | Res. | Res. | Res. | Res. | PA3_IIEV | PA2_IIEV | PA1_IIEV | PA0_IIEV | |
| | Reset value | 0 | 0 | 0 | 0 | 0 | 0 | 0 | 0 | 0 | 0 | 0 | 0 | 0 | 0 | 0 | 0 | 0 | 0 | 0 | 0 | 0 | 0 | 0 | 0 | 0 | 0 | 0 | 0 | 0 | 0 | 0 | 0 | |
| 0x18 | IO_IIEIR | PB15_IIEI | PB14_IIEI | PB13_IIEI | PB12_IIEI | Res. | Res. | Res. | PB8_IIEI | PB7_IIEI | PB6_IIEI | PB5_IIEI | PB4_IIEI | PB3_IIEI | PB2_IIEI | PB1_IIEI | PB0_IIEI | Res. | Res. | Res. | Res. | PA11_IIEI | PA10_IIEI | PA9_IIEI | PA8_IIEI | Res. | Res. | Res. | Res. | PA3_IIEI | PA2_IIEI | PA1_IIEI | PA0_IIEI | |
| | Reset value | 0 | 0 | 0 | 0 | 0 | 0 | 0 | 0 | 0 | 0 | 0 | 0 | 0 | 0 | 0 | 0 | 0 | 0 | 0 | 0 | 0 | 0 | 0 | 0 | 0 | 0 | 0 | 0 | 0 | 0 | 0 | 0 | |
| 0x1C | IO_IISCR | PB15_IISC | PB14_IISC | PB13_IISC | PB12_IISC | Res. | Res. | Res. | PB8_IISC | PB7_IISC | PB6_IISC | PB5_IISC | PB4_IISC | PB3_IISC | PB2_IISC | PB1_IISC | PB0_IISC | Res. | Res. | Res. | Res. | PA11_IISC | PA10_IISC | PA9_IISC | PA8_IISC | Res. | Res. | Res. | Res.C | PA3_IISC | PA2_IISC | PA1_IISC | PA0_IISC | |
| | Reset value | 0 | 0 | 0 | 0 | 0 | 0 | 0 | 0 | 0 | 0 | 0 | 0 | 0 | 0 | 0 | 0 | 0 | 0 | 0 | 0 | 0 | 0 | 0 | 0 | 0 | 0 | 0 | 0 | 0 | 0 | 0 | 0 | |
| 0x20 | PWRC_IIEIR | Res. | Res. | Res. | Res. | Res. | Res. | Res. | Res. | Res. | Res. | Res. | Res. | Res. | Res. | Res. | Res. | Res. | Res. | Res. | Res. | Res. | Res. | Res. | Res. | Res. | Res. | Res. | Res. | Res. | Res. | Res. | Res. | |
| | Reset value | | | | | | | | | | | | | | | | | | | | | | | | | | | | | | | | | |
| 0x24 | PWRC_IISCR | Res. | Res. | Res. | Res. | Res. | Res. | Res. | Res. | Res. | Res. | Res. | Res. | Res. | Res. | Res. | Res. | Res. | Res. | Res. | Res. | Res. | Res. | Res. | Res. | Res. | Res. | Res. | Res. | Res. | Res. | Res. | Res. | |
| | Reset value | | | | | | | | | | | | | | | | | | | | | | | | | | | | | | | | | |
| 0x28 | | Reserved | | | | | | | | | | | | | | | | | | | | | | | | | | | | | | | | |
| | | | | | | | | | | | | | | | | | | | | | | | | | | | | | | | | | | |

| Offset | Register | 31 | 30 | 29 | 28 | 27 | 26 | 25 | 24 | 23 | 22 | 21 | 20 | 19 | 18 | 17 | 16 | 15 | 14 | 13 | 12 | 11 | 10 | 9 | 8 | 7 | 6 | 5 | 4 | 3 | 2 | 1 | 0 |
|--------|--------------|------|------|------|------|------|------|------|------|------|------|------|------|------|------|------|------|------|------|------|------|------|------|------|------|------|------|------|------|--------|--------|--------|--------|
| 0x2c | BLERXTX_DTR | Res. | Res. | Res. | Res. | Res. | Res. | Res. | Res. | Res. | Res. | Res. | Res. | Res. | Res. | Res. | Res. | Res. | Res. | Res. | Res. | Res. | Res. | Res. | Res. | Res. | Res. | Res. | Res. | Res. | Res. | RX_DT | TX_DT |
| | Reset value | | | | | | | | | | | | | | | | | | | | | | | | | | | | | | | 0 | 0 |
| 0x30 | BLERXTX_IBER | Res. | Res. | Res. | Res. | Res. | Res. | Res. | Res. | Res. | Res. | Res. | Res. | Res. | Res. | Res. | Res. | Res. | Res. | Res. | Res. | Res. | Res. | Res. | Res. | Res. | Res. | Res. | Res. | Res. | Res. | RX_IBE | TX_IBE |
| | Reset value | | | | | | | | | | | | | | | | | | | | | | | | | | | | | | | 0 | 0 |
| 0x34 | BLERXTX_IEVR | Res. | Res. | Res. | Res. | Res. | Res. | Res. | Res. | Res. | Res. | Res. | Res. | Res. | Res. | Res. | Res. | Res. | Res. | Res. | Res. | Res. | Res. | Res. | Res. | Res. | Res. | Res. | Res. | Res. | RX_IEV | TX_IBV | |
| | Reset value | | | | | | | | | | | | | | | | | | | | | | | | | | | | | | | 0 | 0 |
| 0x38 | BLERXTX_IER | Res. | Res. | Res. | Res. | Res. | Res. | Res. | Res. | Res. | Res. | Res. | Res. | Res. | Res. | Res. | Res. | Res. | Res. | Res. | Res. | Res. | Res. | Res. | Res. | Res. | Res. | Res. | Res. | Res. | RX_IE | TX_IB | |
| | Reset value | | | | | | | | | | | | | | | | | | | | | | | | | | | | | | | 0 | 0 |
| 0x3C | BLERXTX_ISCR | Res. | Res. | Res. | Res. | Res. | Res. | Res. | Res. | Res. | Res. | Res. | Res. | Res. | Res. | Res. | Res. | Res. | Res. | Res. | Res. | Res. | Res. | Res. | Res. | Res. | Res. | Res. | Res. | RX_ISC | TX_ISC | | |
| | Reset value | | | | | | | | | | | | | | | | | | | | | | | | | | | | | | 0 | 0 | |



9 Embedded Flash memory

The Flash controller implements the erase and programs Flash memory operation. The Flash controller also implements the read and write protection.

9.1 Flash main features

Flash memory features:

- Up to 192 kbytes of Flash memory single bank architecture.
- Memory organization: 1 bank
 - main memory: up to 192 kbytes
 - page size: 2 kBytes
- 32-bit wide data read
- 32-bit wide data write
- Page erase (2 kbytes) and mass erase.

Flash controller features:

- Flash memory read operations
- Flash memory write operations: single data write or 4x32-bits burst write (to reduce programming time by 4)
- Flash memory erase operations
- Flash readout protection and disable of debug access
- Page write protect mechanism

9.2 Description

The Flash memory is organized as follows:

- Main memory block containing 96 pages of 2 kBytes. Each page is made of 8 rows of 256 bytes (64 words).

Erasing the whole flash memory results in every bit cell of the Flash.

In parallel, the Flash controller manages 1 Kbyte OTP (one-time programmable) for user data. The OTP data cannot be erased. The OTP data area can no longer be written only as soon as the last word (address 0x1000_1BFC) is different from 0xFFFF_FFFF and a system reset occurred.

The flash memory is mapped on the AHB-Lite bus with the range described below.

Table 20. Flash memory section address

| Section | Flash AHB start address | Flash AHB end address |
|------------|-------------------------|----------------------------|
| main Flash | 0x1004_0000 | 0x1006_FFFF ⁽¹⁾ |
| User OTP | 0x1000_1800 | 0x1000_1BFF |

1. Depends on Flash size. See [Table 23. Flash size information](#).

9.3 Flash controller register map

Refer to [Table 3. STM32WB05xZ memory map and peripheral register boundary addresses](#) for the flash controller base address location in the STM32WB05xZ.

Table 21. Flash APB registers

| Address offset | Name | Width | RW ⁽¹⁾ | Reset | Description |
|----------------|------------|-------|-------------------|--|---|
| 0x00 | COMMAND | 8 | RW | 0x0000_0000 | Commands for the module. See Section 9.4.1: Command register (COMMAND) |
| 0x04 | CONFIG | 2 | RW | 0x000_0018 | Configure the wrapper. See Section 9.4.2: Configuration register (CONFIG) |
| 0x08 | IRQSTAT | 5 | RC | 0x0000_0000 | Flash status interrupts (masked). See Section 9.4.3: Interrupt status register (IRQSTAT) . |
| 0x0C | IRQMASK | 5 | RW | 0x0000_003F | Mask for interrupts. See Section 9.4.4: Interrupt mask register (IRQMASK) . |
| 0x10 | IRQRAW | 5 | RC | 0x0000_0001 | Status interrupts (unmasked). See Section 9.4.5: Raw status register (IRQRAW) . |
| 0x14 | FLASH_SIZE | 16 | RO | 0x000- ---- (depends on the device) | Indicates the last usable address of the main Flash and the RAM size. See Section 9.4.6: SIZE register . |
| 0x18 | ADDRESS | 14 | RW | 0x0000_0000 | Address for programming Flash, auto-increments. See Section 9.4.7: Address register (ADDRESS) . |
| 0x24 | LFSRVAL | 32 | RO | 0xFFFF_FFFF | LFSR register needed for check after MASS READ command. See Section 9.4.8: Linear feedback shift register (LFSRVAL) . |
| 0x34 | PAGEPROT0 | 32 | RW | 0x0000_0000 | Write/page erase protection management register. See Section 9.4.9: Main Flash page protection registers (PAGEPROTx) (PAGEPRT0) . |
| 0x38 | PAGEPROT1 | 32 | RW | 0x0000_0000 | Write/page erase protection management register. See Section 9.4.9: Main Flash page protection registers (PAGEPROTx) (PAGEPRT1) . |
| 0x3C | RESERVED | 32 | RW | 0x0000_0000 | UNUSED |
| 0x40 | DATA0 | 32 | RW | 0xFFFF_FFFF | Program cycle data. See Section 9.4.10: Data registers (DATA0-DATA3) . |
| 0x44 | DATA1 | 32 | RW | 0xFFFF_FFFF | Program cycle data. See Section 9.4.10: Data registers (DATA0-DATA3) . |
| 0x48 | DATA2 | 32 | RW | 0xFFFF_FFFF | Program cycle data. See Section 9.4.10: Data registers (DATA0-DATA3) . |
| 0x4C | DATA3 | 32 | RW | 0xFFFF_FFFF | Program cycle data. See Section 9.4.10: Data registers (DATA0-DATA3) . |

1. Acronym meaning: RW: read and write RC: read and write to clear RO: read only.

9.4 Flash controller registers

9.4.1 Command register (COMMAND)

Address offset: 0x00

Reset value: 0x0000 0000

| | | | | | | | | | | | | | | | | | |
|------|------|------|------|------|------|------|------|---------|------|------|------|------|------|------|------|--|--|
| 31 | 30 | 29 | 28 | 27 | 26 | 25 | 24 | 23 | 22 | 21 | 20 | 19 | 18 | 17 | 16 | | |
| Res. | Res. | Res. | Res. | Res. | Res. | Res. | Res. | Res. | Res. | Res. | Res. | Res. | Res. | Res. | Res. | | |
| 15 | 14 | 13 | 12 | 11 | 10 | 9 | 8 | 7 | 6 | 5 | 4 | 3 | 2 | 1 | 0 | | |
| Res. | Res. | Res. | Res. | Res. | Res. | Res. | Res. | COMMAND | | | | | | | | | |
| rw | | | | | | | | | | | | | | | | | |

| | |
|-----------|--|
| Bits 31:8 | Reserved, must be kept at reset value. |
| Bit 7:0 | COMMAND: Command opcode to launch any operation on Flash memory. Refer to Table 22. Command list available for customer |

Table 22. Command list available for customer

| Command | Flash sector | Description | Command Opcode |
|----------------------|--------------|--|----------------|
| ERASE | Main memory | Erase page defined by register ADDRESS | 0x11 |
| MASSERASE | Main memory | Mass erase (main flash memory is completely erased). | 0x22 |
| WRITE ⁽¹⁾ | Main memory | Program one location (defined by registers DATA and ADDRESS) | 0x33 |
| MASSREAD | Main memory | Read all locations and compare with DATA register value or produce LFSR signature | 0x55 |
| SLEEP | Whole memory | Put Flash in sleep mode. Warning: Once this command is launched, no access (read) nor action (any command except WAKE) on the Flash component is possible until the WAKE command is requested (and associated CMDDONE status is returned) | 0xAA |
| WAKEUP | Whole memory | Get Flash out of sleep mode. | 0xBB |
| BURSTWRITE | Main memory | Program 4 locations (ADDRESS → ADDRESS+3) with data in DATA0-DATA3 registers Warning: burst always starts (=DATA0 is always written) on a 16-bytes aligned address even if ADDRESS is not 16-bytes aligned (register bit field ADDRESS[1:0] always considered as 0 at flash controller level). | 0xCC |
| OTPWRITE | User OTP | One time writable 1 kBytes for customer No erase nor second programming is possible | 0xEE |
| KEYWRITE | Main memory | Write the customer key used to protect the main Flash | 0xFF |

1. Each address can be programmed only twice without erase operation in between.

Status bit behavior versus commands:

- Writing to the COMMAND register starts the action that is performed on the Flash
- The CMDSTART flag goes and stays high until it is cleared
- When the command has finished the CMDDONE flag goes high
- When a MASS READ command was given and when CMDDONE is high, the READOK flag can be checked or the LFSRVAL register can be read (contains the signature of the mass read)

The sequences to use the different commands are described in [Section 9.5: Programmer model](#).

9.4.2 Configuration register (CONFIG)

Address offset: 0x04

Reset value: 0x0000 0018

| | | | | | | | | | | | | | | | |
|------|------|------|------|------|------|------|------|------|------|-------------|------|------|-----------------|-------|------|
| 31 | 30 | 29 | 28 | 27 | 26 | 25 | 24 | 23 | 22 | 21 | 20 | 19 | 18 | 17 | 16 |
| Res. | Res. | Res. | Res. | Res. | Res. | Res. | Res. | Res. | Res. | Res. | Res. | Res. | Res. | Res. | Res. |
| 15 | 14 | 13 | 12 | 11 | 10 | 9 | 8 | 7 | 6 | 5 | 4 | 3 | 2 | 1 | 0 |
| Res. | Res. | Res. | Res. | Res. | Res. | Res. | Res. | Res. | Res. | WAIT_STATES | | Res. | DIS_GROUP_WRITE | REMAP | Res. |
| | | | | | | | | | | rw | rw | | rw | rw | |

| | |
|-----------|--|
| Bits 31:6 | Reserved, must be kept at reset value. |
| Bits 5:4 | WAIT_STATES: Number of wait states to be inserted on Flash read (AHB accesses). The flash memory embedded in the STM32WB05xZ device in Section 6.7: Programmer model requires 1 wait_state when system clock frequency is 64 MHz. |
| Bit 3 | Reserved, must be kept at reset value. |
| Bit 2 | DIS_GROUP_WRITE: <ul style="list-style-type: none"> • 0: Burst write operations are allowed/enabled • 1: Burst write operations are blocked and result on a single write Note: If this bit is set during an on-going burst write operation, the Flash controller stops the write operation at the end of the current word writing even if some words are still to be written. |
| Bit 1 | REMAP: Bit to redirect boot area on SRAM0. |
| Bit 0 | Reserved, must be kept at reset value. |

The Flash can be read in one system clock cycle (the best for power consumption) when the system clock is 32 MHz maximum.

9.4.3 Interrupt status register (IRQSTAT)

The interrupt status register shows the masked version of the interrupt raw register.

Address offset: 0x08

Reset value: 0x0000 0000

| | | | | | | | | | | | | | | | |
|------|------|------|------|------|------|------|------|------|------|------|------------|------------|------------|--------------|-------------|
| 31 | 30 | 29 | 28 | 27 | 26 | 25 | 24 | 23 | 22 | 21 | 20 | 19 | 18 | 17 | 16 |
| Res. | Res. | Res. | Res. | Res. | Res. | Res. | Res. | Res. | Res. | Res. | Res. | Res. | Res. | Res. | Res. |
| 15 | 14 | 13 | 12 | 11 | 10 | 9 | 8 | 7 | 6 | 5 | 4 | 3 | 2 | 1 | 0 |
| Res. | Res. | Res. | Res. | Res. | Res. | Res. | Res. | Res. | Res. | Res. | READOK_MIS | ILLCMD_MIS | CMDERR_MIS | CMDSTART_MIS | CMDDONE_MIS |
| | | | | | | | | | | | rc_w1 | rc_w1 | rc_w1 | rc_w1 | rc_w1 |

| | |
|-----------|--|
| Bits 31:5 | Reserved, must be kept at reset value. |
| Bit 4 | READOK_MIS : Mass read OK masked interrupt status. This bit is set at the end of a MASSREAD operation if all the words read in the memory match the DATA0 register value. Cleared by writing 1. |
| Bit 3 | ILLCMD_MIS : Illegal command masked interrupt status. This bit is set when a bad opcode command is written in the COMMAND register. Cleared by writing 1. |
| Bit 2 | CMDERR_MIS : Command error masked interrupt status. This bit is set if a command opcode is written in COMMAND register while the Flash is busy. Cleared by writing 1. |
| Bit 1 | CMDSTART_MIS : Command started masked interrupt status. This bit is set once the requested command execution has started. Cleared by writing 1. |
| Bit 0 | CMDDONE_MIS : Command done masked interrupt status. This bit is set once the requested command execution is completed. Cleared by writing 1. |

The CMDDONE and CMDSTART bits are updated a few clock cycles after the requested command has been started by writing to the COMMAND register.

Note: Clearing a bit by writing in IRQSTAT (respectively IRQRAW) register also cleared the same bit in IRQRAW (respectively IRQSTAT) register as they are referring to a common condition/event.

9.4.4 Interrupt mask register (IRQMASK)

The mask bit in IRQMASK masks the condition in the status register IRQSTAT and prevents the generation from the interrupt.

Address offset: 0x0C

Reset value: 0x0000 003F

| | | | | | | | | | | | | | | | |
|------|------|------|------|------|------|------|------|------|------|------|---------|---------|---------|-----------|----------|
| 31 | 30 | 29 | 28 | 27 | 26 | 25 | 24 | 23 | 22 | 21 | 20 | 19 | 18 | 17 | 16 |
| Res. | Res. | Res. | Res. | Res. | Res. | Res. | Res. | Res. | Res. | Res. | Res. | Res. | Res. | Res. | Res. |
| 15 | 14 | 13 | 12 | 11 | 10 | 9 | 8 | 7 | 6 | 5 | 4 | 3 | 2 | 1 | 0 |
| Res. | Res. | Res. | Res. | Res. | Res. | Res. | Res. | Res. | Res. | Res. | READOKM | ILLCMDM | CMDERRM | CMDSTARTM | CMDDONEM |
| | | | | | | | | | | | rw | rw | rw | rw | rw |

| | |
|-----------|--|
| Bits 31:5 | Reserved, must be kept at reset value. |
| Bit 4 | READOKM : Mass read OK mask. <ul style="list-style-type: none"> 0: Enable interrupt on “Mass read OK” event 1: Disable interrupt on “Mass read OK” event |
| Bit 3 | ILLCMDM : Illegal command mask. <ul style="list-style-type: none"> 0: Enable interrupt on “illegal command” event 1: Disable interrupt on “illegal command” event |
| Bit 2 | CMDERRM : Command error mask. <ul style="list-style-type: none"> 0: Enable interrupt on “command error” event 1: Disable interrupt on “command error” event |
| Bit 1 | CMDSTARTM : Command started mask. <ul style="list-style-type: none"> 0: Enable interrupt on “command started” event 1: Disable interrupt on “command started” event |
| Bit 0 | CMDDONEM : Command done mask. <ul style="list-style-type: none"> 0: Enable interrupt on “command done” event 1: Disable interrupt on “command done” event |

9.4.5 Raw status register (IRQRAW)

The raw status register shows the unmasked condition of interrupt events.

Address offset: 0x10

Reset value: 0x0000 0001

| | | | | | | | | | | | | | | | |
|------|------|------|------|------|------|------|------|------|------|------|------------|------------|------------|--------------|-------------|
| 31 | 30 | 29 | 28 | 27 | 26 | 25 | 24 | 23 | 22 | 21 | 20 | 19 | 18 | 17 | 16 |
| Res. | Res. | Res. | Res. | Res. | Res. | Res. | Res. | Res. | Res. | Res. | Res. | Res. | Res. | Res. | Res. |
| 15 | 14 | 13 | 12 | 11 | 10 | 9 | 8 | 7 | 6 | 5 | 4 | 3 | 2 | 1 | 0 |
| Res. | Res. | Res. | Res. | Res. | Res. | Res. | Res. | Res. | Res. | Res. | READOK_RIS | ILLCMD_RIS | CMDERR_RIS | CMDSTART_RIS | CMDDONE_RIS |
| | | | | | | | | | | | rc_w1 | rc_w1 | rc_w1 | rc_w1 | rc_w1 |

| | |
|-----------|---|
| Bits 31:5 | Reserved, must be kept at reset value. |
| Bit 4 | READOK_RIS: Mass read OK raw/unmasked interrupt status. This bit is set at the end of a MASSREAD operation if all the words read in the memory match the DATA0 register value. Cleared by writing 1. |
| Bit 3 | ILLCMD_RIS: Illegal command raw/unmasked interrupt status. This bit is set when a bad opcode command is written in the COMMAND register. Cleared by writing 1. |
| Bit 2 | CMDERR_RIS: Command error raw/unmasked interrupt status. This bit is set if a command opcode is written in COMMAND register while the Flash is busy. Cleared by writing 1. |
| Bit 1 | CMDSTART_RIS: Command started raw/unmasked interrupt status. This bit is set once the requested command execution has started. Cleared by writing 1. |
| Bit 0 | CMDDONE_RIS: Command done raw/unmasked interrupt status. This bit is set once the requested command execution is completed. Cleared by writing 1. |

The CMDDONE and CMDSTART bits are updated a few clock cycles after the requested command has been started by writing to the COMMAND register.

Note: Clearing a bit by writing in IRQSTAT (respectively IRQRAW) register also cleared the same bit in IRQRAW (respectively IRQSTAT) register as they are referring to a common condition/event.

9.4.6 SIZE register

Address offset: 0x14

Reset value: 0x000- ---- (depends on the device)

| | | | | | | | | | | | | | | | |
|------------------|------|------|------|------|------|------|------|------|------|------|-------------|--------------|------|------|----|
| 31 | 30 | 29 | 28 | 27 | 26 | 25 | 24 | 23 | 22 | 21 | 20 | 19 | 18 | 17 | 16 |
| Res. | Res. | Res. | Res. | Res. | Res. | Res. | Res. | Res. | Res. | Res. | SWD_DISABLE | FLASH_SECURE | Res. | Res. | |
| 15 | 14 | 13 | 12 | 11 | 10 | 9 | 8 | 7 | 6 | 5 | 4 | 3 | 2 | 1 | 0 |
| FLASH_SIZE[15:0] | | | | | | | | | | | | | | | |
| r | | | | | | | | | | | | | | | |

| | |
|------------|--|
| Bits 31:19 | Reserved, must be kept at reset value. |
| Bit 20 | SWD_DISABLE : Flash +SWD protection: <ul style="list-style-type: none"> 0: No SWD protection (refer to FLASH_SECURE) 1: FLASH and SWD protected |
| Bit 19 | FLASH_SECURE : Flash memory protection: <ul style="list-style-type: none"> 0: The main FLASH is not protected 1: The main FLASH is protected through a customer key |
| Bit 18:16 | Reserved, must be kept at reset value. |
| Bits 15:0 | FLASH_SIZE : Indicates the last usable address of the Flash using memory component address format. See Table 23. Flash size information for relation between address at Flash component level and AHB address mapping. <ul style="list-style-type: none"> 0x3FFF: 64 Kbytes of main Flash are available on this device 0x7FFF: 128 Kbytes of main Flash are available on this device 0x9FFF: 160 Kbytes of main Flash are available on this device 0xBFFF: 192 Kbytes of main Flash are available on this device. |

Table 23. Flash size information

| Main flash size | Highest usable address at Flash level ⁽¹⁾ | Highest usable address at AHB level |
|-----------------|--|-------------------------------------|
| 64 Kbytes | 0x3FFF | 0x1004_4FFC |
| 128 Kbytes | 0x7FFF | 0x1005_5FFC |
| 160 Kbytes | 0x9FFF | 0x1006_7FFC |
| 192 Kbytes | 0xBFFF | 0x1006_FFFC |

1. Value seen in FLASH_SIZE bit field.

9.4.7 Address register (ADDRESS)

Address offset: 0x18

Reset value: 0x0000 0000

| | | | | | | | | | | | | | | | |
|------------|------|------|------|------|------|------|------|------|------------|------|------|------|------|------|------|
| 31 | 30 | 29 | 28 | 27 | 26 | 25 | 24 | 23 | 22 | 21 | 20 | 19 | 18 | 17 | 16 |
| Res. | Res. | Res. | Res. | Res. | Res. | Res. | Res. | Res. | Res. | Res. | Res. | Res. | Res. | Res. | Res. |
| 15 | 14 | 13 | 12 | 11 | 10 | 9 | 8 | 7 | 6 | 5 | 4 | 3 | 2 | 1 | 0 |
| XADDR[9:0] | | | | | | | | | YADDR[5:0] | | | | | | |
| rw | | | | | | | | | rw | | | | | | |

| | |
|------------|---|
| Bits 31:16 | Reserved, must be kept at reset value. |
| Bits 15:6 | XADDR[9:0]: <ul style="list-style-type: none"> XADDR[9:3]: Page number (from 0 to 95) XADDR[2:0]: Row number (from 0 to 7) |
| Bits 5:0 | YADDR[5:0]: Word number inside the selected row (from 0 to 63) |

Address to provide to the Flash is not the AHB device mapping address but the address respecting Flash component format.

The main Flash is composed of 96 pages containing 8 rows each with 64 words = 256 bytes by row.

To program the ADDRESS register, the formula is the following:

- XADDR[9:0] = AHB address bit [17:8]
- YADDR[5:0] = AHB address bit [7:2]

Example 1: To program a word (32-bit) at AHB address 0x1005_0454:

- XADDR[9:0] = AHB address bit [17:8] = 0x104
- YADDR[5:0] = AHB address bit [7:2] = 0x15
- ADDRESS register = 0x4115

9.4.8 Linear feedback shift register (LFSRVAL)

The LFSRVAL register contains the signature issued by a MASSREAD command.

The LFSRVAL register is initialized with all ones when the MASS READ command is written to the COMMAND register. Then every read value is put through the LFSR.

The final signature can be read in this register once the CMDDONE information is set.

Address offset: 0x24

Reset value: 0xFFFF FFFF

| | | | | | | | | | | | | | | | |
|----------------|----|----|----|----|----|----|----|----|----|----|----|----|----|----|----|
| 31 | 30 | 29 | 28 | 27 | 26 | 25 | 24 | 23 | 22 | 21 | 20 | 19 | 18 | 17 | 16 |
| LFSRVAL[31:16] | | | | | | | | | | | | | | | |
| r | r | r | r | r | r | r | r | r | r | r | r | r | r | r | r |
| 15 | 14 | 13 | 12 | 11 | 10 | 9 | 8 | 7 | 6 | 5 | 4 | 3 | 2 | 1 | 0 |
| LFSRVAL[15:0] | | | | | | | | | | | | | | | |
| r | r | r | r | r | r | r | r | r | r | r | r | r | r | r | r |

| | |
|-----------|---|
| Bits 31:0 | LSFRVAL: Signature after a MASSREAD command, generated through a linear feedback shift register block. |
|-----------|---|

9.4.9 Main Flash page protection registers (PAGEPROTx)

The PAGEPROTx register allows protecting from accidental write a contiguous set of pages called segment in the following description. A maximum of four segments can be defined.

An example of usage is available in Section 9.5.7: Write page protection example.

PAGEPROT0

Address offset: 0x34

Reset value: 0x0000 0000

| | | | | | | | | | | | | | | | |
|------------|----|----|----|----|----|----|----|----|----|----|----|----|----|----|----|
| 31 | 30 | 29 | 28 | 27 | 26 | 25 | 24 | 23 | 22 | 21 | 20 | 19 | 18 | 17 | 16 |
| SEG1[15:0] | | | | | | | | | | | | | | | |
| rw | | | | | | | | | | | | | | | |
| 15 | 14 | 13 | 12 | 11 | 10 | 9 | 8 | 7 | 6 | 5 | 4 | 3 | 2 | 1 | 0 |
| SEG0[15:0] | | | | | | | | | | | | | | | |
| rw | | | | | | | | | | | | | | | |

| | |
|------------|---|
| Bits 31:16 | SEG1: Second segment definition. See SEG0 description for details on SEG1[15:0] content. |
| Bit 15:0 | <p>SEG0: First segment definition.</p> <p>A segment SEGx is built as follows:</p> <ul style="list-style-type: none"> • SEGx[15]: Reserved • SEGx[14:8] = OFFSET: Page number to start the write protection (value between 0 and 0x5F) • SEGx[7]: Reserved • SEGx[6:0] = SIZE: number of 2 Kbyte pages to protect including the starting page (provided in SEGx[14:8]) <p><i>Note:</i></p> <ul style="list-style-type: none"> • <i>SIZE=0 means no segment defined so if all segments have SIZE=0, then no write protection is applied on the whole FLASH.</i> • <i>The segments can overlap, the protection on a page is guaranteed if at least one segment covers this page.</i> • <i>If OFFSET + SIZE > 95d so exceeds the maximum size of the FLASH, the end of the segment is positioned on the maximum allowed address.</i> |

PAGEPROT01

Address offset: 0x38

Reset value: 0x0000 0000

| | | | | | | | | | | | | | | | |
|------------|----|----|----|----|----|----|----|----|----|----|----|----|----|----|----|
| 31 | 30 | 29 | 28 | 27 | 26 | 25 | 24 | 23 | 22 | 21 | 20 | 19 | 18 | 17 | 16 |
| SEG3[15:0] | | | | | | | | | | | | | | | |
| rw | | | | | | | | | | | | | | | |
| 15 | 14 | 13 | 12 | 11 | 10 | 9 | 8 | 7 | 6 | 5 | 4 | 3 | 2 | 1 | 0 |
| SEG2[15:0] | | | | | | | | | | | | | | | |
| rw | | | | | | | | | | | | | | | |

| | |
|------------|---|
| Bits 31:16 | SEG3: Fourth segment definition. See PAGEPROT0 SEG0 description for details on SEG3[15:0] content. |
| Bit 15:0 | SEG2: Third segment definition. See PAGEPROT0 SEG0 description for details on SEG2[15:0] content. |

9.4.10 Data registers (DATA0-DATA3)

The DATA0 register needs to be written with:

- The desired value written to the Flash location (for single write or mass write).
- The desired compare value for a (mass) read operation, the flag READOK indicates if there was a match or not. For mass read, all read values must match for READOK.

The DATA1-DATA3 registers need to be written only for burst write.

DATA0

Address offset: 0x40

Reset value: 0xFFFF FFFF

| | | | | | | | | | | | | | | | |
|--------------|----|----|----|----|----|----|----|----|----|----|----|----|----|----|----|
| 31 | 30 | 29 | 28 | 27 | 26 | 25 | 24 | 23 | 22 | 21 | 20 | 19 | 18 | 17 | 16 |
| DATA0[31:16] | | | | | | | | | | | | | | | |
| rw | | | | | | | | | | | | | | | |
| 15 | 14 | 13 | 12 | 11 | 10 | 9 | 8 | 7 | 6 | 5 | 4 | 3 | 2 | 1 | 0 |
| DATA0[15:0] | | | | | | | | | | | | | | | |
| rw | | | | | | | | | | | | | | | |

| | |
|-----------|--|
| Bits 31:0 | <p>DATA0: This register has several uses:</p> <ul style="list-style-type: none"> • Data to write in Flash in single write mode • First data to be written in Flash on a burst write • Compared value for a MASSREAD command (useful only if Flash is fully written with the same word) <p>Note: In this last case, the flag READOK indicates whether there was a match or not at the end of the mass read.</p> |
|-----------|--|

DATA1

Address offset: 0x44

Reset value: 0xFFFF FFFF

| | | | | | | | | | | | | | | | |
|--------------|----|----|----|----|----|----|----|----|----|----|----|----|----|----|----|
| 31 | 30 | 29 | 28 | 27 | 26 | 25 | 24 | 23 | 22 | 21 | 20 | 19 | 18 | 17 | 16 |
| DATA1[31:16] | | | | | | | | | | | | | | | |
| rw | | | | | | | | | | | | | | | |
| 15 | 14 | 13 | 12 | 11 | 10 | 9 | 8 | 7 | 6 | 5 | 4 | 3 | 2 | 1 | 0 |
| DATA1[15:0] | | | | | | | | | | | | | | | |
| rw | | | | | | | | | | | | | | | |

| | |
|-----------|--|
| Bits 31:0 | <p>DATA1: Data that are written at ADDRESS+1 during a BURSTWRITE command.</p> <p>Note: This register is used only on burst write.</p> |
|-----------|--|

DATA2

Address offset: 0x48

Reset value: 0xFFFF FFFF

| | | | | | | | | | | | | | | | |
|--------------|----|----|----|----|----|----|----|----|----|----|----|----|----|----|----|
| 31 | 30 | 29 | 28 | 27 | 26 | 25 | 24 | 23 | 22 | 21 | 20 | 19 | 18 | 17 | 16 |
| DATA2[31:16] | | | | | | | | | | | | | | | |
| rw | | | | | | | | | | | | | | | |
| 15 | 14 | 13 | 12 | 11 | 10 | 9 | 8 | 7 | 6 | 5 | 4 | 3 | 2 | 1 | 0 |
| DATA2[15:0] | | | | | | | | | | | | | | | |
| rw | | | | | | | | | | | | | | | |

| | |
|-----------|---|
| Bits 31:0 | DATA2: Data that are written at ADDRESS+2 during a BURSTWRITE command. Note: This register is used only on burst write. |
|-----------|---|

DATA3

Address offset: 0x4C

Reset value: 0xFFFF FFFF

| | | | | | | | | | | | | | | | |
|--------------|----|----|----|----|----|----|----|----|----|----|----|----|----|----|----|
| 31 | 30 | 29 | 28 | 27 | 26 | 25 | 24 | 23 | 22 | 21 | 20 | 19 | 18 | 17 | 16 |
| DATA3[31:16] | | | | | | | | | | | | | | | |
| rw | | | | | | | | | | | | | | | |
| 15 | 14 | 13 | 12 | 11 | 10 | 9 | 8 | 7 | 6 | 5 | 4 | 3 | 2 | 1 | 0 |
| DATA3[15:0] | | | | | | | | | | | | | | | |
| rw | | | | | | | | | | | | | | | |

| | |
|-----------|---|
| Bits 31:0 | DATA3: Data that are written at ADDRESS+3 during a BURSTWRITE command. Note: This register is used only on burst write. |
|-----------|---|

9.5 Programmer model

The STM32WB05xZ embeds up to 192 kBytes of internal Flash memory. A Flash interface implements instruction access and data access based on the AHB protocol. It implements the logic necessary to carry out the Flash memory operations (Program/Erase) controlled through the Flash registers.

9.5.1 General information

Writing to flash memory only allows clearing bits from '1' to '0'. This means any write from '0' to '1' implies erasing before performing a write.

Flash memory is composed of 96 pages containing 8 rows of 64 words (96 x 8 x 64 = 49152 words). Each word is 32-bit = 4 byte long, which means 192 Kbyte of flash memory.

The address inside the Flash controller ADDRESS register is built as follows: ADDRESS[15:0] = XADR[9:0] & YADR[5:0] with:

- XADR[9:3] = page address
- XADR[2:0] = row address
- YADR[5:0] = word address (one word = four bytes)

Note: One specific address can be written only twice between two erase actions even if each writing only clears bit 1.

9.5.2 Read function examples

There are two possible read accesses:

- Read one single word: simple read as if SRAM memory: read the desired Flash address and get read data on the bus
- MASSREAD command: read the full Flash memory and compare with expected content

There are two ways of using MASSREAD:

- Full Flash contains a fixed 32-bit pattern: indicate the expected pattern (value to be compared with each read value inside Flash) in the Flash controller DATA register and check the READOK flag in the Flash controller interrupt register once the command is completed
- Otherwise: request a MASSREAD command without specifying any expected read value and check the LFSRVAL register once the command is completed. This LFSRVAL register contains a signature of the memory read

MASSREAD sequence:

- Write in the Flash controller DATA register the expected value (if MASSREAD is used in combination with the READOK flag)
- Write the MASSREAD command (0x55) in the Flash controller COMMAND register
- Wait for the CMDSTART flag in the IRQSTAT register (polling mode or interrupt mode) indicating that the command has been taken into account and is under execution
- Clear the CMDSTART flag by writing CMDSTART to '1' in the Flash controller IRQSTAT register
- Then, wait for the CMDDONE flag in the IRQSTAT register (polling mode or interrupt mode) indicating that the command is completed
- Check the READOK flag (expected high) in the IRQSTAT register or the LFSRVAL register value to ensure Flash memory content is the expected result
- Clear the CMDDONE flag by writing CMDDONE to '1' in the Flash controller IRQSTAT register.

9.5.3 Erase function examples

The Flash controller allows erasing one page.

ERASE sequence (erase one page)

- Write the page address to be erased by writing in the Flash controller ADDRESS register the following value:
 - ADDRESS[15:9] = XADR[9:3] = page address to erase
 - ADDRESS[8:0] = 9'b0 (row and word addresses at zero)
- Write the ERASE command (0x11) in the Flash controller COMMAND register
- Wait for the CMDSTART flag in the IRQSTAT register (polling mode or interrupt mode) indicating command is taken into account and under execution
- Clear the CMDSTART flag by writing CMDSTART to '1' in the Flash controller IRQSTAT register
- Wait for the CMDDONE flag in the IRQSTAT register (polling mode or interrupt mode) indicating that the command is completed
- Clear the CMDDONE flag by writing CMDDONE to '1' in the Flash controller IRQSTAT register
- After this command, the erased page contains bits set to '1' only.

MASSERASE sequence (erase whole main flash memory)

- Write the MASSERASE command (0x22) in the flash controller COMMAND register.
- Wait for the CMDSTART flag in the IRQSTAT register (polling mode or interrupt mode) indicating that the command has been taken into account and is under execution.
- Clear the CMDSTART flag by writing CMDSTART to '1' in the flash controller IRQSTAT register.
- Wait for the CMDDONE flag in the IRQSTAT register (polling mode or interrupt mode) indicating that the command is completed.
- Clear the CMDDONE flag by writing CMDDONE to '1' in the flash controller IRQSTAT register.
- After this command, the full main flash contains only bits set to '1'.

9.5.4 Write function examples

The Flash controller allows writing one word (WRITE), up to 4 words (BURSWRITE) or the full main Flash memory (with a single fixed word).

Note: As a write can only program to '0' on bits already set to '1', it is necessary to erase the page and request that the bits are set to '1' (instead of '0') in order to re-write to '0'.

WRITE sequence:

- Indicate the location to write by filling the Flash controller ADDRESS register with the targeted address (page, row and word number)
- Write the value to program in the Flash controller DATA register
- Write the WRITE command (0x33) in the Flash controller COMMAND register
- Wait for the CMDSTART flag in the IRQSTAT register (polling mode or interrupt mode) indicating that the command has been taken into account and is under execution
- Clear the CMDSTART flag by writing CMDSTART to '1' in the Flash controller IRQSTAT register
- Wait for the CMDDONE flag in the IRQSTAT register (polling mode or interrupt mode) indicating that the command is completed
- Clear the CMDDONE flag by writing CMDDONE to '1' in the Flash controller IRQSTAT register.

BURSTWRITE sequence:

- Indicate the location to write by filling the Flash controller ADDRESS register with the targeted address of the first data to write (page, row and word number). DATA0 is written at ADDRESS, DATA1 at ADDRESS+1, etc.
- Write the values to program in the Flash controller DATA0-3 registers. To write less than four words, write 0xFFFFFFFF in the unused DATA1-3 registers
- Write the BURSTWRITE command (0xCC) in the Flash controller COMMAND register
- Wait for the CMDSTART flag in the IRQSTAT register (polling mode or interrupt mode) indicating that the command has been taken into account and is under execution
- Clear the CMDSTART flag by writing CMDSTART to '1' in the Flash controller IRQSTAT register
- Wait for the CMDDONE flag in the IRQSTAT register (polling mode or interrupt mode) indicating that the command is completed
- Clear the CMDDONE flag by writing CMDDONE to '1' in the Flash controller IRQSTAT register.

9.5.5 Enabling protection example

The device offers three levels of protection to prevent application cloning and/or altering of application code. The different levels are described in [Table 24. System memory protection](#). It is important to note that disabling of SWD access is an irreversible operation.

Table 24. System memory protection

| Protection | Userkey[DATA0] | Userkey[DATA1] | Disable protection | Description |
|---------------|-----------------|-----------------|--------------------------------|---|
| None | 0xFFFFFFFF | 0xFFFFFFFF | Not applicable | Debugger can access and modify Flash memory and RAM content. This is the default configuration. |
| Readout | 0xAAAAAAAA | 0xAAAAAAAA | Perform mass erase | Debugger cannot read or modify both Flash memory and RAM content. |
| SWD | 0xABACABAD | 0xABACABAD | This selection is irreversible | Debugger connection is not possible. |
| Not specified | Any other value | Any other value | Not applicable | This configuration is forbidden and can lead to unrecoverable damage of the device. |

In order to activate the desired level of protection, the following KEYWRITE sequence should be used:

- Write DATA0 (LSB key) and DATA1 (MSB key) registers with the value to program
- Write 0xC7EF584D to DATA2 and 0xB3A21096 to DATA3
- Write the KEYWRITE command (0xFF) in the Flash controller COMMAND register
- Wait for the CMDSTART flag in the IRQSTAT register (polling mode or interrupt mode) indicating that the command has been taken into account and is under execution
- Clear the CMDSTART flag by writing CMDSTART to '1' in the Flash controller IRQSTAT register
- Wait for the CMDDONE flag in the IRQSTAT register (polling mode or interrupt mode), indicating that the command is completed
- Clear the CMDDONE flag by writing CMDDONE to '1' in the Flash controller IRQSTAT register.

The keys are activated (and Flash and RAM banks are protected) after a reset.

9.5.6 OTP function example

OTPWRITE sequence:

- Write DATA0 register with the value to program (no burst write feature is available as only few bytes to be written once only)
- Write ADDRESS register according to the following rule:
 - ADDRESS[15:9] = do not care (page number frozen by hardware on this command)
 - ADDRESS[8:6] = 0, 1, 2 or 3
 - ADDRESS[5:0] = full area possible (from 0x00 to 0x3F)
- Write the OTPWRITE command (0xEE) in the Flash controller COMMAND register
- Wait for the CMDSTART flag in the IRQSTAT register (polling mode or interrupt mode) indicating that the command has been taken into account and is under execution
- Clear the CMDSTART flag by writing CMDSTART to '1' in the Flash controller IRQSTAT register
- Wait for the CMDDONE flag in the IRQSTAT register (polling mode or interrupt mode), indicating that the command is completed
- Clear the CMDDONE flag by writing CMDDONE to '1' in the FlashController IRQSTAT register.

Note: *The OTP locations are following Flash memory rules, that is, a second write only flips bit from 1 to 0. If the user wishes to lock the OTP values and prevent any further modification in the OTP area, they must write the last OTP word (address 0x10001BFC) with a value different from 0xFFFFFFFF and perform system reset. The operation of locking the OTP area is irreversible.*

9.5.7 Write page protection example

Example to write protect against accidental programming knowing the Flash starts at address 0x1004_0000 and contains 96 pages of 2 Kbytes (pages 0 to 95)

- the address ranges 0x1004C000-0x1004FFFF

Starting page: $0xC000 / 0x800 = 0x18$

- $SEG0[14:8] = 0x18$ (OFFSET = 0x18)

Number of pages: $(0x10000 - 0xC000) / 0x800 = 0x8$

- $SEG0[6:0] = 0x8$ (SIZE = 0x8)
- and the address ranges 0x1005E000-0x1005FFFF

Starting page: $0x1E000 / 0x800 = 0x3C$

- $SEG1[14:8] = 0x3C$ (OFFSET = 0x3C)

Number of pages: $(0x20000 - 0x1E000) / 0x800 = 0x4$

Conclusion: program the PAGEPROT0 = 0x3C041808.

10 DMA controller (DMA)

10.1 DMA introduction

Direct memory access (DMA) is used in order to provide high-speed data transfer between peripherals and memory as well as memory-to-memory. Data can be quickly moved by DMA without any CPU actions. This keeps CPU resources free for other operations.

The DMA has an arbiter to handle the priority between DMA requests.

10.2 DMA main features

- Eight independently configurable channels (requests)
- Each of the eight channels is connected to dedicated hardware DMA requests, software trigger is also supported on each channel. This configuration is done by software
- Priorities between requests from channels of the DMA are software programmable (4 levels consisting of very high, high, medium, low) or hardware in case of equality (request 1 has priority over request 2, etc.)
- Independent source and destination transfer size (byte, half word, word), emulating packing and unpacking. Source/destination addresses must be aligned on the data size
- Support for circular buffer management
- 3 event flags (DMA Half Transfer, DMA Transfer complete and DMA Transfer Error) logically ORed together in a single interrupt request for each channel
- Memory-to-memory transfer (SRAM0/SRAM1)
- Peripheral-to-memory and memory-to-peripheral, and peripheral-to-peripheral transfers
- Access to SRAMs, APB0 and APB1 peripherals as source and destination
- Programmable number of data to be transferred: up to 65536.

10.3 DMA functional description

The DMA controller performs a direct memory transfer by sharing the system bus with the other masters of the device. The DMA request may stop the CPU access to the system bus for some bus cycles, when the CPU and DMA are targeting the same destination (memory or peripheral). The bus matrix implements round-robin scheduling, thus ensuring at least half of the system bus bandwidth (both to memory and peripheral) for the CPU.

10.3.1 DMA transactions

After an event, the peripheral sends a request signal to the DMA controller. The DMA controller serves the request depending on the channel priorities. As soon as the DMA controller accesses the peripheral, an acknowledge is sent to the peripheral by the DMA controller. The peripheral releases its request as soon as it gets the acknowledge from the DMA controller. Once the request is deasserted by the peripheral, the DMA controller releases the acknowledge. If there are more requests, the peripheral can initiate the next transaction. In summary, each DMA transfer consists of three operations:

- The loading of data from the peripheral data register or a location in memory addressed through an internal current peripheral/memory address register. The start address used for the first transfer is the base peripheral/memory address programmed in the DMA_CPARx or DMA_CMARx register
- The storage of the data loaded to the peripheral data register or a location in memory addressed through an internal current peripheral/memory address register. The start address used for the first transfer is the base peripheral/memory address programmed in the DMA_CPARx or DMA_CMARx register
- The post-decrementing of the DMA_CNDTRx register, which contains the number of transactions that has still to be performed.

10.3.2 Arbiter

The arbiter manages the channel requests based on their priority and launches the peripheral/memory access sequences.

The priorities are managed in two stages:

- Software: each channel priority can be configured in the DMA_CCRx register. There are four levels:
 - Very high priority
 - High priority
 - Medium priority
 - Low priority
- Hardware: if 2 requests have the same software priority level, the channel with the lowest number gets the priority versus the channel with the highest number. For example, channel 2 gets the priority over channel 4

10.3.3 DMA channels

Each channel can handle DMA transfer between a peripheral register located at a fixed address and a memory address. The amount of data to be transferred (up to 65535) is programmable. The register which contains the amount of data items to be transferred is decremented after each transaction.

Programmable data sizes

Transfer data sizes of the peripheral and memory are fully programmable through the PSIZE and MSIZE bits in the DMA_CCRx register.

Pointer incrementation

Peripheral and memory pointers can optionally be automatically post-incremented after each transaction depending on the PINC and MINC bits in the DMA_CCRx register. If incremented mode is enabled, the address of the next transfer is the address of the previous one incremented by 1, 2 or 4 depending on the chosen data size. The first transfer address is the one programmed in the DMA_CPARx/DMA_CMARx registers. During transfer operations, these registers keep the initially programmed value. The current transfer addresses (in the current internal peripheral/memory address register) are not accessible by software.

If the channel is configured in non circular mode, no DMA request is served after the last transfer (that is once the number of data items to be transferred has reached zero). In order to reload a new number of data items to be transferred into the DMA_CNDTRx register, the DMA channel must be disabled.

Note: If a DMA channel is disabled, the DMA registers are not reset. The DMA channel registers (DMA_CCRx, DMA_CPARx and DMA_CMARx) retain the initial values programmed during the channel configuration phase.

In circular mode, after the last transfer, the DMA_CNDTRx register is automatically reloaded with the initially programmed value. The current internal address registers are reloaded with the base address values from the DMA_CPARx/DMA_CMARx registers.

Channel configuration procedure

The following sequence should be followed to configure a DMA channelx (where x is the channel number).

1. Set the peripheral register address in the DMA_CPARx register. The data are moved from/to this address to/from the memory after the peripheral event.
2. Set the memory address in the DMA_CMARx register. The data are written to or read from this memory after the peripheral event.
3. Configure the total number of data to be transferred in the DMA_CNDTRx register. After each peripheral event, this value is decremented.
4. Configure the channel priority using the PL[1:0] bits in the DMA_CCRx register.
5. Configure data transfer direction, circular mode, peripheral and memory incremented mode, peripheral and memory data size, and interrupt after half and/or full transfer in the DMA_CCRx register.
6. Activate the channel by setting the ENABLE bit in the DMA_CCRx register.

As soon as the channel is enabled, it can serve any DMA request from the peripheral connected on the channel.

Once half of the bytes are transferred, the half-transfer flag (HTIF) is set and an interrupt is generated if the half-transfer interrupt enable bit (HTIE) is set. At the end of the transfer, the transfer complete flag (TCIF) is set and an interrupt is generated if the transfer complete interrupt enable bit (TCIE) is set.

Circular mode

Circular mode is available to handle circular buffers and continuous data flows (e.g. ADC scan mode). This feature can be enabled using the CIRC bit in the DMA_CCRx register. When circular mode is activated, the number of data to be transferred is automatically reloaded with the initial value programmed during the channel configuration phase, and the DMA requests continue to be served.

Memory-to-memory mode

The DMA channels can also work without being triggered by a request from a peripheral. This mode is called memory-to-memory mode.

If the MEM2MEM bit in the DMA_CCRx register is set, then the channel initiates transfers as soon as it is enabled by software by setting the enable bit (EN) in the DMA_CCRx register. The transfer stops once the DMA_CNDTRx register reaches zero. Memory-to-memory mode may not be used at the same time as circular mode.

10.3.4 Programmable data width, data alignment and endians

When PSIZE and MSIZE are not equal, the DMA performs some data alignments as described in Table 25. Programmable data width and endian behavior (when PINC=MINC=1 and NDT=4).

Note that NDT means number of data items to transfer.

Table 25. Programmable data width and endian behavior (when PINC=MINC=1 and NDT=4)

| Port width | Source content | Transfer operation | Dest content |
|-------------|--|--|--|
| Src => Dest | addr / data | | addr / data |
| 8 => 8 | @0x0 / B0 @0x1 / B1 @0x2 / B2 @0x3 / B3 | Read B0[7:0] @0x0 then write B0[7:0]@0x0 Read B1[7:0] @0x1 then write B1[7:0] @0x1 Read B2[7:0] @0x2 then write B2[7:0] @0x2 Read B3[7:0] @0x3 then write B3[7:0] @0x3 | @0x0 / B0 @0x1 / B1 @0x2 / B2 @0x3 / B3 |
| 8 => 16 | @0x0 / B0 @0x1 / B1 @0x2 / B2 @0x3 / B3 | Read B0[7:0] @0x0 then write 00B0[15:0] @0x0 Read B1[7:0] @0x1 then write 00B1[15:0] @0x2 Read B2[7:0] @0x2 then write 00B2[15:0] @0x4 Read B3[7:0] @0x3 then write 00B3[15:0] @0x6 | @0x0 / 00B0 @0x2 / 00B1 @0x4 / 00B2 @0x6 / 00B3 |
| 8 => 32 | @0x0 / B0 @0x1 / B1 @0x2 / B2 @0x3 / B3 | Read B0[7:0] @0x0 then write 000000B0[31:0] @0x0 Read B1[7:0] @0x1 then write 000000B1[31:0] @0x4 Read B2[7:0] @0x2 then write 000000B2[31:0] @0x8 Read B3[7:0] @0x3 then write 000000B3[31:0] @0xC | @0x0 / 000000B0 @0x4 / 000000B1 @0x8 / 000000B2 @0xC / 000000B3 |
| 16 => 8 | @0x0 / B1B0 @0x2 / B3B2 @0x4 / B5B4/ @0x6 / B7B6 | Read B1B0[15:0] @0x0 then write B0[7:0] @0x0 Read B3B2[15:0] @0x2 then write B2[7:0] @0x1 Read B5B4[15:0] @0x4 then write B4[7:0] @0x2 Read B7B6[15:0] @0x6 then write B6[7:0] @0x3 | @0x0 / B0 @0x1 / B2 @0x2 / B4 @0x3 / B6 |
| 16 => 16 | @0x0 / B1B0 @0x2 / B3B2 @0x4 / B5B4/ @0x6 / B7B6 | Read B1B0[15:0] @0x0 then write B1B0[15:0] @0x0 Read B3B2[15:0] @0x2 then write B3B2[15:0] @0x2 Read B5B4[15:0] @0x4 then write B5B4[15:0] @0x4 Read B7B6[15:0] @0x6 then write B7B6[15:0] @0x6 | @0x0 / B1B0 @0x2 / B3B2 @0x4 / B5B4 @0x6 / B7B6 |
| 16 => 32 | @0x0 / B1B0 @0x2 / B3B2 @0x4 / B5B4/ @0x6 / B7B6 | Read B1B0[15:0] @0x0 then write 0000B1B0[31:0] @0x0 Read B3B2[15:0] @0x2 then write 0000B3B2[31:0] @0x4 Read B5B4[15:0] @0x4 then write 0000B5B4[31:0] @0x8 Read B7B6[15:0] @0x6 then write 0000B7B6[31:0] @0xC | @0x0 / 0000B1B0 @0x4 / 0000B3B2 @0x8 / 0000B5B4 @0xC / 0000B7B6 |
| 32 => 8 | @0x0 / B3B2B1B0 @0x4 / B7B6B5B4 @0x8 / BBBAB9B8 @0xC/BFBEBDBC | Read B3B2B1B0[31:0] @0x0 then write B0[7:0] @0x0 Read B7B6B5B4[31:0] @0x4 then write B4[7:0] @0x1 Read BBBAB9B8[31:0] @0x8 then write B8[7:0] @0x2 Read BFBEBDBC[31:0] @0xC then write BC[7:0] @0x3 | @0x0 / B0 @0x1 / B4 @0x2 / B8 @0x3 / BC |

| Port width | Source content | Transfer operation | Dest content |
|-------------|-----------------|---|-----------------|
| Src => Dest | addr / data | | addr / data |
| 32 => 16 | @0x0 / B3B2B1B0 | Read B3B2B1B0[31:0] @0x0 then write B1B0[15:0] @0x0 | @0x0 / B1B0 |
| | @0x4 / B7B6B5B4 | Read B7B6B5B4[31:0] @0x4 then write B5B4[15:0] @0x2 | @0x2 / B5B4 |
| | @0x8 / BBBAB9B8 | Read BBBAB9B8[31:0] @0x8 then write B9B8[15:0] @0x4 | @0x4 / B9B8 |
| | @0xC/BFBEBDBC | Read BFBEBDBC[31:0] @0xC then write BDBC[15:0] @0x6 | @0x6 / BDBC |
| 32 => 32 | @0x0 / B3B2B1B0 | Read B3B2B1B0[31:0] @0x0 then write B3B2B1B0[31:0] @0x0 | @0x0 / B3B2B1B0 |
| | @0x4 / B7B6B5B4 | Read B7B6B5B4[31:0] @0x4 then write B7B6B5B4[31:0] @0x4 | @0x4 / B7B6B5B4 |
| | @0x8 / BBBAB9B8 | Read BBBAB9B8[31:0] @0x8 then write BBBAB9B8[31:0] @0x8 | @0x8 / BBBAB9B8 |
| | @0xC/BFBEBDBC | Read BFBEBDBC[31:0] @0xC then write BFBEBDBC[31:0] @0xC | @0xC/BFBEBDBC |

Addressing an AHB peripheral that does not support byte or halfword write operations

When the DMA initiates an AHB byte or halfword write operation, the data are duplicated on the unused lanes of the HWDATA[31:0] bus. So when the used AHB slave peripheral does not support byte or halfword write operations (when HSIZE is not used by the peripheral) and does not generate any error, the DMA writes the 32 HWDATA bits as shown in the two examples below:

- To write the halfword “0xABCD”, the DMA sets the HWDATA bus to “0xABCDABCD” with HSIZE = HalfWord
- To write the byte “0xAB”, the DMA sets the HWDATA bus to “0xABABABAB” with HSIZE = byte

Assuming that the AHB/APB bridge is an AHB 32-bit slave peripheral that does not take the HSIZE data into account, it transforms any AHB byte or halfword operation into a 32-bit APB operation in the following manner:

- an AHB byte write operation of the data “0xB0” to 0x0 (or to 0x1, 0x2 or 0x3) is converted to an APB word write operation of the data “0xB0B0B0B0” to 0x0
- an AHB halfword write operation of the data “0xB1B0” to 0x0 (or to 0x2) is converted to an APB word write operation of the data “0xB1B0B1B0” to 0x0

For instance, if you want to write the APB backup registers (16-bit registers aligned to a 32-bit address boundary), you must configure the memory source size (MSIZE) to “16-bit” and the peripheral destination size (PSIZE) to “32-bit”.

10.3.5 Error management

A DMA transfer error can be generated by reading from or writing to a reserved address space. When a DMA transfer error occurs during a DMA read or a write access, the faulty channel is automatically disabled through a hardware clear of its EN bit in the corresponding channel configuration register (DMA_CCRx). The channel transfer error interrupt flag (TEIF) in the DMA_IFR register is set and an interrupt is generated if the transfer error interrupt enable bit (TEIE) in the DMA_CCRx register is set.

10.3.6 Interrupts

An interrupt can be produced on a half-transfer, transfer complete or transfer error for each DMA channel. Separate interrupt enable bits are available for flexibility.

Table 26. DMA interrupt requests

| Interrupt event | Event flag | Enable control bit |
|-------------------|------------|--------------------|
| Half-transfer | HTIF | HTIE |
| Transfer complete | TCIF | TCIE |
| Transfer error | TEIF | TEIE |

10.3.7 DMA request mapping

A DMAMUX is present in the STM32WB05xZ and allows selecting which requester is connected to which DMA channel. See [Table 30. DMAMUX register map and reset values](#).

10.4 DMA registers

Refer to [Section 1.5: Acronyms](#) for a list of abbreviations used in register descriptions. The peripheral registers must be accessed by words (32-bit) only.

10.4.1 DMA interrupt status register (DMA_ISR)

Address offset: 0x000

Reset value: 0x0000 0000

| | | | | | | | | | | | | | | | |
|-------|-------|-------|------|-------|-------|-------|------|-------|-------|-------|------|-------|-------|-------|------|
| 31 | 30 | 29 | 28 | 27 | 26 | 25 | 24 | 23 | 22 | 21 | 20 | 19 | 18 | 17 | 16 |
| TEIF8 | HTIF8 | TCIF8 | GIF8 | TEIF7 | HTIF7 | TCIF7 | GIF7 | TEIF6 | HTIF6 | TCIF6 | GIF6 | TEIF5 | HTIF5 | TCIF5 | GIF5 |
| r | r | r | r | r | r | r | r | r | r | r | r | r | r | r | r |
| 15 | 14 | 13 | 12 | 11 | 10 | 9 | 8 | 7 | 6 | 5 | 4 | 3 | 2 | 1 | 0 |
| TEIF4 | HTIF4 | TCIF4 | GIF4 | TEIF3 | HTIF3 | TCIF3 | GIF3 | TEIF2 | HTIF2 | TCIF2 | GIF2 | TEIF1 | HTIF1 | TCIF1 | GIF1 |
| r | r | r | r | r | r | r | r | r | r | r | r | r | r | r | r |

| | |
|-----------------------------------|--|
| Bits 31:28 | Reserved, must be kept at reset value. |
| Bits 31, 27, 23, 19, 15, 11, 7, 3 | <p>TEIFx: Channel x transfer error flag (x = 1..8). This bit is set by hardware. It is cleared by software writing 1 to the corresponding bit in the DMA_IFCR register.</p> <p>0: No transfer error (TE) on channel x 1: A transfer error (TE) occurred on channel x</p> |
| Bits 30, 26, 22, 18, 14, 10, 6, 2 | <p>HTIFx: Channel x half transfer flag (x = 1..8). This bit is set by hardware. It is cleared by software writing 1 to the corresponding bit in the DMA_IFCR register.</p> <p>0: No half transfer (HT) event on channel x 1: A half transfer (HT) event occurred on channel x</p> |
| Bits 29, 25, 21, 17, 13, 9, 5, 1 | <p>TCIFx: Channel x transfer complete flag (x = 1..8). This bit is set by hardware. It is cleared by software writing 1 to the corresponding bit in the DMA_IFCR register.</p> <p>0: No transfer complete (TC) event on channel x 1: A transfer complete (TC) event occurred on channel x</p> |
| Bits 28, 24, 20, 16, 12, 8, 4, 0 | <p>GIFx: Channel x global interrupt flag (x = 1..8). This bit is set by hardware. It is cleared by software writing 1 to the corresponding bit in the DMA_IFCR register.</p> <p>0: No TE, HT or TC event on channel x 1: A TE, HT or TC event occurred on channel x</p> |

10.4.2 DMA interrupt flag clear register (DMA_IFCR)

Address offset: 0x004

Reset value: 0x0000 0000

| | | | | | | | | | | | | | | | |
|--------|--------|--------|-------|--------|--------|--------|-------|--------|--------|--------|-------|--------|--------|--------|-------|
| 31 | 30 | 29 | 28 | 27 | 26 | 25 | 24 | 23 | 22 | 21 | 20 | 19 | 18 | 17 | 16 |
| CTEIF8 | CHTIF8 | CTCIF8 | CGIF8 | CTEIF7 | CHTIF7 | CTCIF7 | CGIF7 | CTEIF6 | CHTIF6 | CTCIF6 | CGIF6 | CTEIF5 | CHTIF5 | CTCIF5 | CGIF5 |
| w | w | w | w | w | w | w | w | w | w | w | w | w | w | w | w |
| 15 | 14 | 13 | 12 | 11 | 10 | 9 | 8 | 7 | 6 | 5 | 4 | 3 | 2 | 1 | 0 |
| CTEIF4 | CHTIF4 | CTCIF4 | CGIF4 | CTEIF3 | CHTIF3 | CTCIF3 | CGIF3 | CTEIF2 | CHTIF2 | CTCIF2 | CGIF2 | CTEIF1 | CHTIF1 | CTCIF1 | CGIF1 |
| w | w | w | w | w | w | w | w | w | w | w | w | w | w | w | w |

| | |
|-----------------------------------|--|
| Bits 31:28 | Reserved, must be kept at reset value. |
| Bits 31, 27, 23, 19, 15, 11, 7, 3 | CTEIFx : Channel x transfer error clear (x = 1..8). This bit is set and cleared by software. 0: No effect 1: Clears the corresponding TEIF flag in the DMA_ISR register |
| Bits 30, 26, 22, 18, 14, 10, 6, 2 | CHTIFx : Channel x half transfer clear (x = 1..8). This bit is set and cleared by software. 0: No effect 1: Clears the corresponding HTIF flag in the DMA_ISR register |
| Bits 29, 25, 21, 17, 13, 9, 5, 1 | CTCIFx : Channel x transfer complete clear (x = 1..8). This bit is set and cleared by software. 0: No effect 1: Clears the corresponding TCIF flag in the DMA_ISR register |
| Bits 28, 24, 20, 16, 12, 8, 4, 0 | CGIFx : Channel x global interrupt clear (x = 1..8). This bit is set and cleared by software. 0: No effect 1: Clears the GIF, TEIF, HTIF and TCIF flags in the DMA_ISR register |

10.4.3 DMA channel x configuration register (DMA_CCRx) (x = 1..8, where x = channel number)

Address offset: 0x008 + 0d20 × (channel number - 1)

Reset value: 0x0000 0000

| | | | | | | | | | | | | | | | |
|------|----------|---------|------|------------|------|------------|------|------|------|------|------|------|------|------|------|
| 31 | 30 | 29 | 28 | 27 | 26 | 25 | 24 | 23 | 22 | 21 | 20 | 19 | 18 | 17 | 16 |
| Res. | Res. | Res. | Res. | Res. | Res. | Res. | Res. | Res. | Res. | Res. | Res. | Res. | Res. | Res. | Res. |
| 15 | 14 | 13 | 12 | 11 | 10 | 9 | 8 | 7 | 6 | 5 | 4 | 3 | 2 | 1 | 0 |
| Res. | MEM2 MEM | PL[1:0] | | MSIZE[1:0] | | PSIZE[1:0] | | MINC | PINC | CIRC | DIR | TEIE | HTIE | TCIE | EN |
| | rw | rw | rw | rw | rw | rw | rw | rw | rw | rw | rw | rw | rw | rw | rw |

| | |
|------------|---|
| Bits 31:15 | Reserved, must be kept at reset value. |
| Bit 14 | MEM2MEM: Memory-to-memory mode. This bit is set and cleared by software. 0: Memory-to-memory mode disabled 1: Memory-to-memory mode enabled |
| Bits 13:12 | PL[1:0]: Channel priority level. These bits are set and cleared by software. 00: Low 01: Medium 10: High 11: Very high |
| Bits 11:10 | MSIZE[1:0]: Memory size. These bits are set and cleared by software. 00: 8-bits 01: 16-bits 10: 32-bits 11: Reserved |
| Bits 9:8 | PSIZE[1:0]: Peripheral size. These bits are set and cleared by software. 00: 8-bits 01: 16-bits 10: 32-bits 11: Reserved |
| Bit 7 | MINC: Memory increment mode. This bit is set and cleared by software. 0: Memory increment mode disabled 1: Memory increment mode enabled |
| Bit 6 | PINC: Peripheral increment mode. This bit is set and cleared by software. 0: Peripheral increment mode disabled 1: Peripheral increment mode enabled |
| Bit 5 | CIRC: Circular mode. This bit is set and cleared by software. 0: Circular mode disabled 1: Circular mode enabled |
| Bit 4 | DIR: Data transfer direction. This bit is set and cleared by software. |

| | |
|-------|---|
| | <p>0: Read from peripheral 1: Read from memory</p> |
| Bit 3 | <p>TEIE: Transfer error interrupt enable. This bit is set and cleared by software. 0: TE interrupt disabled 1: TE interrupt enabled</p> |
| Bit 2 | <p>HTIE: Half transfer interrupt enable. This bit is set and cleared by software. 0: HT interrupt disabled 1: HT interrupt enabled</p> |
| Bit 1 | <p>TCIE: Transfer complete interrupt enable. This bit is set and cleared by software. 0: TC interrupt disabled 1: TC interrupt enabled</p> |
| Bit 0 | <p>EN: Channel enable. This bit is set and cleared by software. 0: Channel disabled 1: Channel enabled</p> |

10.4.4 DMA channel x number of data register (DMA_CNDTRx) (x = 1..8, where x = channel number)

Address offset: 0x00C + 0d20 × (channel number - 1)

Reset value: 0x0000 0000

| | | | | | | | | | | | | | | | |
|-----------|------|------|------|------|------|------|------|------|------|------|------|------|------|------|------|
| 31 | 30 | 29 | 28 | 27 | 26 | 25 | 24 | 23 | 22 | 21 | 20 | 19 | 18 | 17 | 16 |
| Res. | Res. | Res. | Res. | Res. | Res. | Res. | Res. | Res. | Res. | Res. | Res. | Res. | Res. | Res. | Res. |
| 15 | 14 | 13 | 12 | 11 | 10 | 9 | 8 | 7 | 6 | 5 | 4 | 3 | 2 | 1 | 0 |
| NDT[15:0] | | | | | | | | | | | | | | | |
| rw | rw | rw | rw | rw | rw | rw | rw | rw | rw | rw | rw | rw | rw | rw | rw |

| | |
|---------------|--|
| Bits 31:16 | Reserved, must be kept at reset value. |
| Bits 15:0 | <p>NDT[15:0]: Number of data to transfer.</p> <p>Number of data to be transferred (0 up to 65535). This register can only be written when the channel is disabled. Once the channel is enabled, this register is read-only, indicating the remaining bytes to be transmitted. This register decrements after each DMA transfer.</p> <p>Once the transfer is completed, this register can either stay at zero or be reloaded automatically by the value previously programmed if the channel is configured in auto-reload mode.</p> <p>If this register is zero, no transaction can be served whether the channel is enabled or not.</p> |

10.4.5 DMA channel x peripheral address register (DMA_CPARx) (x = 1..8, where x = channel number)

Address offset: $0x010 + 0d20 \times (\text{channel number} - 1)$

Reset value: 0x0000 0000

This register must not be written when the channel is enabled.

| | | | | | | | | | | | | | | | |
|------------|----|----|----|----|----|----|----|----|----|----|----|----|----|----|----|
| 31 | 30 | 29 | 28 | 27 | 26 | 25 | 24 | 23 | 22 | 21 | 20 | 19 | 18 | 17 | 16 |
| PA [31:16] | | | | | | | | | | | | | | | |
| rw | rw | rw | rw | rw | rw | rw | rw | rw | rw | rw | rw | rw | rw | rw | rw |
| 15 | 14 | 13 | 12 | 11 | 10 | 9 | 8 | 7 | 6 | 5 | 4 | 3 | 2 | 1 | 0 |
| PA [15:0] | | | | | | | | | | | | | | | |
| rw | rw | rw | rw | rw | rw | rw | rw | rw | rw | rw | rw | rw | rw | rw | rw |

| | |
|-----------|---|
| | PA[31:0]: Peripheral address. |
| Bits 31:0 | Base address of the peripheral data register from/to which the data is read/written. When PSIZE is 01 (16-bit), the PA[0] bit is ignored. Access is automatically aligned to a half-word address. When PSIZE is 10 (32-bit), PA[1:0] are ignored. Access is automatically aligned to a word address. |

10.4.6 DMA channel x memory address register (DMA_CMARx) (x = 1..8, where x = channel number)

Address offset: $0x014 + 0d20 \times (\text{channel number} - 1)$

Reset value: 0x0000 0000

This register must *not* be written when the channel is enabled.

| | | | | | | | | | | | | | | | |
|------------|----|----|----|----|----|----|----|----|----|----|----|----|----|----|----|
| 31 | 30 | 29 | 28 | 27 | 26 | 25 | 24 | 23 | 22 | 21 | 20 | 19 | 18 | 17 | 16 |
| MA [31:16] | | | | | | | | | | | | | | | |
| rw | rw | rw | rw | rw | rw | rw | rw | rw | rw | rw | rw | rw | rw | rw | rw |
| 15 | 14 | 13 | 12 | 11 | 10 | 9 | 8 | 7 | 6 | 5 | 4 | 3 | 2 | 1 | 0 |
| MA [15:0] | | | | | | | | | | | | | | | |
| rw | rw | rw | rw | rw | rw | rw | rw | rw | rw | rw | rw | rw | rw | rw | rw |

| | |
|-----------|---|
| Bits 31:0 | <p>MA[31:0]: Memory address.</p> <p>Base address of the memory area from/to which the data are read/written.</p> <p>When MSIZE is 01 (16-bit), the MA[0] bit is ignored. Access is automatically aligned to a half-word address.</p> <p>When MSIZE is 10 (32-bit), MA[1:0] are ignored. Access is automatically aligned to a word address.</p> |
|-----------|---|

10.4.7 DMA register map

The following table gives the DMA register map and the reset values.

Table 27. DMA register map and reset values

| Offset | Register | 31 | 30 | 29 | 28 | 27 | 26 | 25 | 24 | 23 | 22 | 21 | 20 | 19 | 18 | 17 | 16 | 15 | 14 | 13 | 12 | 11 | 10 | 9 | 8 | 7 | 6 | 5 | 4 | 3 | 2 | 1 | 0 |
|--------|-------------|----------|--------|--------|-------|--------|--------|--------|-------|--------|--------|--------|-------|--------|--------|--------|-------|-----------|---------|----------|-------|--------------|--------|-------------|-------|--------|--------|--------|-------|--------|--------|--------|-------|
| 0x000 | DMA_ISR | TEIF8 | HTIF8 | TCIF8 | GIF8 | TEIF7 | HTIF7 | TCIF7 | GIF7 | TEIF6 | HTIF6 | TCIF6 | GIF6 | TEIF5 | HTIF5 | TCIF5 | GIF5 | TEIF4 | HTIF4 | TCIF4 | GIF4 | TEIF3 | HTIF3 | TCIF3 | GIF3 | TEIF2 | HTIF2 | TCIF2 | GIF2 | TEIF1 | HTIF1 | TCIF1 | GIF1 |
| | Reset value | 0 | 0 | 0 | 0 | 0 | 0 | 0 | 0 | 0 | 0 | 0 | 0 | 0 | 0 | 0 | 0 | 0 | 0 | 0 | 0 | 0 | 0 | 0 | 0 | 0 | 0 | 0 | 0 | 0 | 0 | 0 | 0 |
| 0x004 | DMA_IFCR | CTEIF8 | CHTIF8 | CTCIF8 | CGIF8 | CTEIF7 | CHTIF7 | CTCIF7 | CGIF7 | CTEIF6 | CHTIF6 | CTCIF6 | CGIF6 | CTEIF5 | CHTIF5 | CTCIF5 | CGIF5 | CTEIF4 | CHTIF4 | CTCIF4 | CGIF4 | CTEIF3 | CHTIF3 | CTCIF3 | CGIF3 | CTEIF2 | CHTIF2 | CTCIF2 | CGIF2 | CTEIF1 | CHTIF1 | CTCIF1 | CGIF1 |
| | Reset value | 0 | 0 | 0 | 0 | 0 | 0 | 0 | 0 | 0 | 0 | 0 | 0 | 0 | 0 | 0 | 0 | 0 | 0 | 0 | 0 | 0 | 0 | 0 | 0 | 0 | 0 | 0 | 0 | 0 | 0 | 0 | 0 |
| 0x008 | DMA_CCR1 | Res. | Res. | Res. | Res. | Res. | Res. | Res. | Res. | Res. | Res. | Res. | Res. | Res. | Res. | Res. | Res. | Res. | MEM2MEM | PL [1:0] | | M SIZE [1:0] | | PSIZE [1:0] | | MINC | PINC | CIRC | DIR | TEIE | HTIE | TCIE | EN |
| | Reset value | | | | | | | | | | | | | | | | | | 0 | 0 | 0 | 0 | 0 | 0 | 0 | 0 | 0 | 0 | 0 | 0 | 0 | 0 | 0 |
| 0x00C | DMA_CNDTR1 | Res. | Res. | Res. | Res. | Res. | Res. | Res. | Res. | Res. | Res. | Res. | Res. | Res. | Res. | Res. | Res. | NDT[15:0] | | | | | | | | | | | | | | | |
| | Reset value | | | | | | | | | | | | | | | | | 0 | 0 | 0 | 0 | 0 | 0 | 0 | 0 | 0 | 0 | 0 | 0 | 0 | 0 | 0 | 0 |
| 0x010 | DMA_CPAR1 | PA[31:0] | | | | | | | | | | | | | | | | | | | | | | | | | | | | | | | |
| | Reset value | 0 | 0 | 0 | 0 | 0 | 0 | 0 | 0 | 0 | 0 | 0 | 0 | 0 | 0 | 0 | 0 | 0 | 0 | 0 | 0 | 0 | 0 | 0 | 0 | 0 | 0 | 0 | 0 | 0 | 0 | 0 | 0 |
| 0x014 | DMA_CMAR1 | MA[31:0] | | | | | | | | | | | | | | | | | | | | | | | | | | | | | | | |
| | Reset value | 0 | 0 | 0 | 0 | 0 | 0 | 0 | 0 | 0 | 0 | 0 | 0 | 0 | 0 | 0 | 0 | 0 | 0 | 0 | 0 | 0 | 0 | 0 | 0 | 0 | 0 | 0 | 0 | 0 | 0 | 0 | 0 |



| Offset | Register | 31 | 30 | 29 | 28 | 27 | 26 | 25 | 24 | 23 | 22 | 21 | 20 | 19 | 18 | 17 | 16 | 15 | 14 | 13 | 12 | 11 | 10 | 9 | 8 | 7 | 6 | 5 | 4 | 3 | 2 | 1 | 0 | | | | |
|--------|-------------|----------|------|------|------|------|------|------|------|------|------|------|------|------|------|------|------|------|-----------|----------|----|--------------|----|-------------|---|------|------|------|-----|------|------|------|----|---|--|--|--|
| 0x01C | DMA_CCR2 | Res. | Res. | Res. | Res. | Res. | Res. | Res. | Res. | Res. | Res. | Res. | Res. | Res. | Res. | Res. | Res. | Res. | MEM2MEM | PL [1:0] | | M SIZE [1:0] | | PSIZE [1:0] | | MINC | PINC | CIRC | DIR | TEIE | HTIE | TCIE | EN | | | | |
| | Reset value | | | | | | | | | | | | | | | 0 | | | 0 | 0 | 0 | 0 | 0 | 0 | 0 | 0 | 0 | 0 | 0 | 0 | 0 | 0 | 0 | | | | |
| 0x020 | DMA_CNDTR2 | Res. | Res. | Res. | Res. | Res. | Res. | Res. | Res. | Res. | Res. | Res. | Res. | Res. | Res. | Res. | Res. | | NDT[15:0] | | | | | | | | | | | | | | | | | | |
| | Reset value | | | | | | | | | | | | | | | | | 0 | 0 | 0 | 0 | 0 | 0 | 0 | 0 | 0 | 0 | 0 | 0 | 0 | 0 | 0 | 0 | | | | |
| 0x024 | DMA_CPAR2 | PA[31:0] | | | | | | | | | | | | | | | | | | | | | | | | | | | | | | | | | | | |
| | Reset value | 0 | 0 | 0 | 0 | 0 | 0 | 0 | 0 | 0 | 0 | 0 | 0 | 0 | 0 | 0 | 0 | 0 | 0 | 0 | 0 | 0 | 0 | 0 | 0 | 0 | 0 | 0 | 0 | 0 | 0 | 0 | 0 | 0 | | | |
| 0x028 | DMA_CMAR2 | MA[31:0] | | | | | | | | | | | | | | | | | | | | | | | | | | | | | | | | | | | |
| | Reset value | 0 | 0 | 0 | 0 | 0 | 0 | 0 | 0 | 0 | 0 | 0 | 0 | 0 | 0 | 0 | 0 | 0 | 0 | 0 | 0 | 0 | 0 | 0 | 0 | 0 | 0 | 0 | 0 | 0 | 0 | 0 | 0 | 0 | | | |
| 0x030 | DMA_CCR3 | Res. | Res. | Res. | Res. | Res. | Res. | Res. | Res. | Res. | Res. | Res. | Res. | Res. | Res. | Res. | Res. | Res. | MEM2MEM | PL [1:0] | | M SIZE [1:0] | | PSIZE [1:0] | | MINC | PINC | CIRC | DIR | TEIE | HTIE | TCIE | EN | | | | |
| | Reset value | | | | | | | | | | | | | | | | 0 | | 0 | 0 | 0 | 0 | 0 | 0 | 0 | 0 | 0 | 0 | 0 | 0 | 0 | 0 | 0 | | | | |
| 0x034 | DMA_CNDTR3 | Res. | Res. | Res. | Res. | Res. | Res. | Res. | Res. | Res. | Res. | Res. | Res. | Res. | Res. | Res. | Res. | | NDT[15:0] | | | | | | | | | | | | | | | | | | |
| | Reset value | | | | | | | | | | | | | | | | | 0 | 0 | 0 | 0 | 0 | 0 | 0 | 0 | 0 | 0 | 0 | 0 | 0 | 0 | 0 | 0 | | | | |
| 0x038 | DMA_CPAR3 | PA[31:0] | | | | | | | | | | | | | | | | | | | | | | | | | | | | | | | | | | | |
| | Reset value | 0 | 0 | 0 | 0 | 0 | 0 | 0 | 0 | 0 | 0 | 0 | 0 | 0 | 0 | 0 | 0 | 0 | 0 | 0 | 0 | 0 | 0 | 0 | 0 | 0 | 0 | 0 | 0 | 0 | 0 | 0 | 0 | 0 | | | |
| 0x03C | DMA_CMAR3 | MA[31:0] | | | | | | | | | | | | | | | | | | | | | | | | | | | | | | | | | | | |
| | Reset value | 0 | 0 | 0 | 0 | 0 | 0 | 0 | 0 | 0 | 0 | 0 | 0 | 0 | 0 | 0 | 0 | 0 | 0 | 0 | 0 | 0 | 0 | 0 | 0 | 0 | 0 | 0 | 0 | 0 | 0 | 0 | 0 | 0 | | | |



| Offset | Register | 31 | 30 | 29 | 28 | 27 | 26 | 25 | 24 | 23 | 22 | 21 | 20 | 19 | 18 | 17 | 16 | 15 | 14 | 13 | 12 | 11 | 10 | 9 | 8 | 7 | 6 | 5 | 4 | 3 | 2 | 1 | 0 | |
|--------|-------------|----------|------|------|------|------|------|------|------|------|------|------|------|------|------|------|------|------|-----------|----------|----|----|--------------|---|-------------|---|------|------|------|-----|------|------|------|----|
| 0x044 | DMA_CCR4 | Res. | Res. | Res. | Res. | Res. | Res. | Res. | Res. | Res. | Res. | Res. | Res. | Res. | Res. | Res. | Res. | Res. | MEM2MEM | PL [1:0] | | | M SIZE [1:0] | | PSIZE [1:0] | | MINC | PINC | CIRC | DIR | TEIE | HTIE | TCIE | EN |
| | Reset value | | | | | | | | | | | | | | | 0 | | | 0 | 0 | 0 | 0 | 0 | 0 | 0 | 0 | 0 | 0 | 0 | 0 | 0 | 0 | 0 | |
| 0x048 | DMA_CNDTR4 | Res. | Res. | Res. | Res. | Res. | Res. | Res. | Res. | Res. | Res. | Res. | Res. | Res. | Res. | Res. | Res. | | NDT[15:0] | | | | | | | | | | | | | | | |
| | Reset value | | | | | | | | | | | | | | | | | 0 | 0 | 0 | 0 | 0 | 0 | 0 | 0 | 0 | 0 | 0 | 0 | 0 | 0 | 0 | 0 | |
| 0x04C | DMA_CPAR4 | PA[31:0] | | | | | | | | | | | | | | | | | | | | | | | | | | | | | | | | |
| | Reset value | 0 | 0 | 0 | 0 | 0 | 0 | 0 | 0 | 0 | 0 | 0 | 0 | 0 | 0 | 0 | 0 | 0 | 0 | 0 | 0 | 0 | 0 | 0 | 0 | 0 | 0 | 0 | 0 | 0 | 0 | 0 | 0 | |
| 0x050 | DMA_CMAR4 | MA[31:0] | | | | | | | | | | | | | | | | | | | | | | | | | | | | | | | | |
| | Reset value | 0 | 0 | 0 | 0 | 0 | 0 | 0 | 0 | 0 | 0 | 0 | 0 | 0 | 0 | 0 | 0 | 0 | 0 | 0 | 0 | 0 | 0 | 0 | 0 | 0 | 0 | 0 | 0 | 0 | 0 | 0 | 0 | |
| 0x054 | Reserved | | | | | | | | | | | | | | | | | | | | | | | | | | | | | | | | | |
| 0x058 | DMA_CCR5 | Res. | Res. | Res. | Res. | Res. | Res. | Res. | Res. | Res. | Res. | Res. | Res. | Res. | Res. | Res. | Res. | Res. | MEM2MEM | PL [1:0] | | | M SIZE [1:0] | | PSIZE [1:0] | | MINC | PINC | CIRC | DIR | TEIE | HTIE | TCIE | EN |
| | Reset value | | | | | | | | | | | | | | | | | | 0 | 0 | 0 | 0 | 0 | 0 | 0 | 0 | 0 | 0 | 0 | 0 | 0 | 0 | | |
| 0x05C | DMA_CNDTR5 | Res. | Res. | Res. | Res. | Res. | Res. | Res. | Res. | Res. | Res. | Res. | Res. | Res. | Res. | Res. | Res. | | NDT[15:0] | | | | | | | | | | | | | | | |
| | Reset value | | | | | | | | | | | | | | | | | 0 | 0 | 0 | 0 | 0 | 0 | 0 | 0 | 0 | 0 | 0 | 0 | 0 | 0 | 0 | 0 | |
| 0x060 | DMA_CPAR5 | PA[31:0] | | | | | | | | | | | | | | | | | | | | | | | | | | | | | | | | |
| | Reset value | 0 | 0 | 0 | 0 | 0 | 0 | 0 | 0 | 0 | 0 | 0 | 0 | 0 | 0 | 0 | 0 | 0 | 0 | 0 | 0 | 0 | 0 | 0 | 0 | 0 | 0 | 0 | 0 | 0 | 0 | 0 | 0 | |
| 0x064 | DMA_CMAR5 | MA[31:0] | | | | | | | | | | | | | | | | | | | | | | | | | | | | | | | | |
| | Reset value | 0 | 0 | 0 | 0 | 0 | 0 | 0 | 0 | 0 | 0 | 0 | 0 | 0 | 0 | 0 | 0 | 0 | 0 | 0 | 0 | 0 | 0 | 0 | 0 | 0 | 0 | 0 | 0 | 0 | 0 | 0 | 0 | |

| Offset | Register | 31 | 30 | 29 | 28 | 27 | 26 | 25 | 24 | 23 | 22 | 21 | 20 | 19 | 18 | 17 | 16 | 15 | 14 | 13 | 12 | 11 | 10 | 9 | 8 | 7 | 6 | 5 | 4 | 3 | 2 | 1 | 0 | | | | |
|--------|-------------|----------|------|------|------|------|------|------|------|------|------|------|------|------|------|------|------|------|-----------|----------|----|----|--------------|---|---|-------------|---|---|------|------|------|-----|------|------|------|----|--|
| 0x068 | Reserved | | | | | | | | | | | | | | | | | | | | | | | | | | | | | | | | | | | | |
| 0x06C | DMA_CCR6 | Res. | Res. | Res. | Res. | Res. | Res. | Res. | Res. | Res. | Res. | Res. | Res. | Res. | Res. | Res. | Res. | Res. | MEM2MEM | PL [1:0] | | | M SIZE [1:0] | | | PSIZE [1:0] | | | MINC | PINC | CIRC | DIR | TEIE | HTIE | TCIE | EN | |
| | Reset value | | | | | | | | | | | | | | | 0 | | | 0 | 0 | 0 | 0 | 0 | 0 | 0 | 0 | 0 | 0 | 0 | 0 | 0 | 0 | 0 | 0 | | | |
| 0x070 | DMA_CNDTR6 | Res. | Res. | Res. | Res. | Res. | Res. | Res. | Res. | Res. | Res. | Res. | Res. | Res. | Res. | Res. | Res. | Res. | NDT[15:0] | | | | | | | | | | | | | | | | | | |
| | Reset value | | | | | | | | | | | | | | | | | | 0 | 0 | 0 | 0 | 0 | 0 | 0 | 0 | 0 | 0 | 0 | 0 | 0 | 0 | 0 | 0 | | | |
| 0x074 | DMA_CPAR6 | PA[31:0] | | | | | | | | | | | | | | | | | | | | | | | | | | | | | | | | | | | |
| | Reset value | 0 | 0 | 0 | 0 | 0 | 0 | 0 | 0 | 0 | 0 | 0 | 0 | 0 | 0 | 0 | 0 | 0 | 0 | 0 | 0 | 0 | 0 | 0 | 0 | 0 | 0 | 0 | 0 | 0 | 0 | 0 | 0 | 0 | | | |
| 0x078 | DMA_CMAR6 | MA[31:0] | | | | | | | | | | | | | | | | | | | | | | | | | | | | | | | | | | | |
| | Reset value | 0 | 0 | 0 | 0 | 0 | 0 | 0 | 0 | 0 | 0 | 0 | 0 | 0 | 0 | 0 | 0 | 0 | 0 | 0 | 0 | 0 | 0 | 0 | 0 | 0 | 0 | 0 | 0 | 0 | 0 | 0 | 0 | 0 | | | |
| 0x07C | Reserved | | | | | | | | | | | | | | | | | | | | | | | | | | | | | | | | | | | | |
| 0x080 | DMA_CCR7 | Res. | Res. | Res. | Res. | Res. | Res. | Res. | Res. | Res. | Res. | Res. | Res. | Res. | Res. | Res. | Res. | Res. | MEM2MEM | PL [1:0] | | | M SIZE [1:0] | | | PSIZE [1:0] | | | MINC | PINC | CIRC | DIR | TEIE | HTIE | TCIE | EN | |
| | Reset value | | | | | | | | | | | | | | | 0 | | | 0 | 0 | 0 | 0 | 0 | 0 | 0 | 0 | 0 | 0 | 0 | 0 | 0 | 0 | 0 | 0 | | | |
| 0x084 | DMA_CNDTR7 | Res. | Res. | Res. | Res. | Res. | Res. | Res. | Res. | Res. | Res. | Res. | Res. | Res. | Res. | Res. | Res. | Res. | NDT[15:0] | | | | | | | | | | | | | | | | | | |
| | Reset value | | | | | | | | | | | | | | | | | | 0 | 0 | 0 | 0 | 0 | 0 | 0 | 0 | 0 | 0 | 0 | 0 | 0 | 0 | 0 | 0 | | | |
| 0x088 | DMA_CPAR7 | PA[31:0] | | | | | | | | | | | | | | | | | | | | | | | | | | | | | | | | | | | |
| | Reset value | 0 | 0 | 0 | 0 | 0 | 0 | 0 | 0 | 0 | 0 | 0 | 0 | 0 | 0 | 0 | 0 | 0 | 0 | 0 | 0 | 0 | 0 | 0 | 0 | 0 | 0 | 0 | 0 | 0 | 0 | 0 | 0 | 0 | | | |
| 0x08C | DMA_CMAR7 | MA[31:0] | | | | | | | | | | | | | | | | | | | | | | | | | | | | | | | | | | | |



| Offset | Register | 31 | 30 | 29 | 28 | 27 | 26 | 25 | 24 | 23 | 22 | 21 | 20 | 19 | 18 | 17 | 16 | 15 | 14 | 13 | 12 | 11 | 10 | 9 | 8 | 7 | 6 | 5 | 4 | 3 | 2 | 1 | 0 | |
|---------------------|-------------|----------|------|------|------|------|------|------|------|------|------|------|------|------|------|------|------|-----------|---------|----------|----|--------------|----|-------------|---|------|------|------|-----|------|------|------|----|---|
| 0x08C | Reset value | 0 | 0 | 0 | 0 | 0 | 0 | 0 | 0 | 0 | 0 | 0 | 0 | 0 | 0 | 0 | 0 | 0 | 0 | 0 | 0 | 0 | 0 | 0 | 0 | 0 | 0 | 0 | 0 | 0 | 0 | 0 | 0 | 0 |
| 0x090 | Reserved | | | | | | | | | | | | | | | | | | | | | | | | | | | | | | | | | |
| 0x094 | DMA_CCR8 | Res. | Res. | Res. | Res. | Res. | Res. | Res. | Res. | Res. | Res. | Res. | Res. | Res. | Res. | Res. | Res. | Res. | MEM2MEM | PL [1:0] | | M SIZE [1:0] | | PSIZE [1:0] | | MINC | PINC | CIRC | DIR | TEIE | HTIE | TCIE | EN | |
| | Reset value | | | | | | | | | | | | | | | | 0 | | | 0 | 0 | 0 | 0 | 0 | 0 | 0 | 0 | 0 | 0 | 0 | 0 | 0 | 0 | |
| 0x098 | DMA_CNDTR8 | Res. | Res. | Res. | Res. | Res. | Res. | Res. | Res. | Res. | Res. | Res. | Res. | Res. | Res. | Res. | Res. | NDT[15:0] | | | | | | | | | | | | | | | | |
| | Reset value | | | | | | | | | | | | | | | | | | 0 | 0 | 0 | 0 | 0 | 0 | 0 | 0 | 0 | 0 | 0 | 0 | 0 | 0 | 0 | |
| 0x09C | DMA_CPAR8 | PA[31:0] | | | | | | | | | | | | | | | | | | | | | | | | | | | | | | | | |
| | Reset value | 0 | 0 | 0 | 0 | 0 | 0 | 0 | 0 | 0 | 0 | 0 | 0 | 0 | 0 | 0 | 0 | 0 | 0 | 0 | 0 | 0 | 0 | 0 | 0 | 0 | 0 | 0 | 0 | 0 | 0 | 0 | 0 | |
| 0x0A0 | DMA_CMAR8 | MA[31:0] | | | | | | | | | | | | | | | | | | | | | | | | | | | | | | | | |
| | Reset value | 0 | 0 | 0 | 0 | 0 | 0 | 0 | 0 | 0 | 0 | 0 | 0 | 0 | 0 | 0 | 0 | 0 | 0 | 0 | 0 | 0 | 0 | 0 | 0 | 0 | 0 | 0 | 0 | 0 | 0 | 0 | 0 | |
| x0A4 to 0x31C | Reserved | | | | | | | | | | | | | | | | | | | | | | | | | | | | | | | | | |

Refer to [Section 2.2.2: Memory map and register boundary addresses](#) for the register boundary addresses.



11 DMA request multiplexer (DMAMUX)

11.1 Introduction

A peripheral indicates a request for DMA transfer by setting its DMA request signal. The DMA request is pending until it is served by the DMA controller which generates a DMA acknowledge signal and the corresponding DMA request signal is deasserted.

For simplicity, the functional description of the DMA request/acknowledge protocol and its associated control signals are abstracted in this document and globally named as DMA request lines. The DMA controller response signals are not shown in figures nor described in the text.

The DMAMUX request multiplexer allows routing a DMA request line between the peripherals and the DMA controller of the product. The routing function is ensured by a programmable multi-channel DMA request line multiplexer. Each channel selects a unique DMA request line.

11.2 DMAMUX main features

- 8-channel programmable DMA request line multiplexer output
- Per DMA request line multiplexer channel output:
 - 25 input DMA request lines from peripherals
 - One DMA request line output

11.3 DMAMUX implementation

11.3.1 DMAMUX instantiation

DMAMUX is instantiated with the following hardware configuration parameters.

Table 28. DMAMUX instantiation

| Feature | DMAMUX |
|---|--------|
| Number of DMAMUX output request channels | 8 |
| Number of DMAMUX request generator channels | 1 |
| Number of DMAMUX request trigger inputs | 2 |
| Number of DMAMUX synchronization inputs | 2 |
| Number of DMAMUX peripheral request inputs | 25 |

11.3.2 DMAMUX mapping

The mapping of resources to DMAMUX is hardwired.

Table 29. DMAMUX map

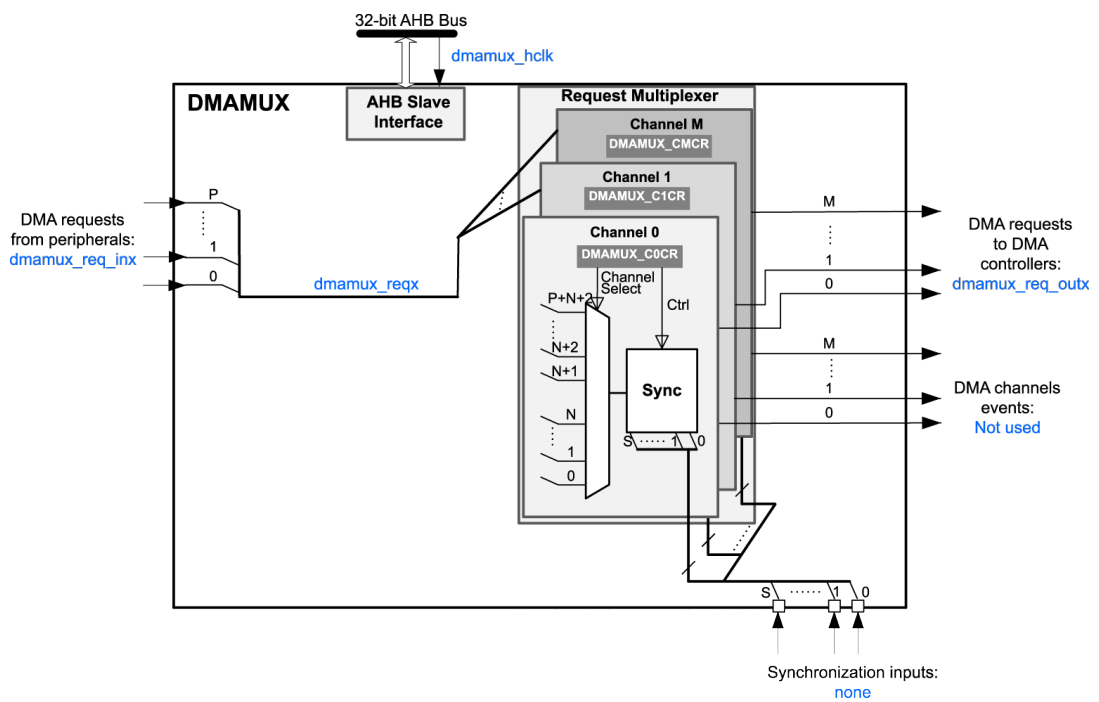
| DMA request MUX input | Resource | DMA request MUX input | Resource |
|-----------------------|----------|-----------------------|----------------------|
| 1 | Reserved | 14 | LPUART_RX |
| 2 | SPI3_RX | 15 | LPUART_TX |
| 3 | SPI3_TX | 16 | ADC_CH0 (DS channel) |
| 4 | Reserved | 17 | Reserved |
| 5 | Reserved | 18 | TIM2_CH1 |
| 6 | Reserved | 19 | TIM2_CH2 |
| 7 | Reserved | 20 | TIM2_CH3 |
| 8 | I2C1_RX | 21 | TIM2_CH4 |
| 9 | I2C1_TX | 22 | TIM2_UP |
| 10 | Reserved | 23 | TIM16_CH1 |
| 11 | Reserved | 24 | TIM16_UP |
| 12 | USART_RX | 25 | TIM17_CH1 |
| 13 | USART_TX | 26 | TIM17_UP |

11.4 DMAMUX functional description

11.4.1 DMAMUX block diagram

Figure 21. DMAMUX block diagram shows the DMAMUX block diagram.

Figure 21. DMAMUX block diagram



The implementation assigns:

- DMAMUX request multiplexer sub-block inputs (dmamux_reqx) from peripherals (dmamux_req_inx)

- DMAMUX requests outputs to channels of DMA controllers (dmamux_req_outx)

11.4.2 DMAMUX channels

A DMAMUX channel is a DMAMUX request multiplexer channel which may include, depending on the selected input of the request multiplexer.

A DMAMUX request multiplexer channel is connected and dedicated to one single DMA controller(s) channel.

Channel configuration procedure

The following sequence should be followed to configure both a DMAMUX x channel and the related DMA channel y:

1. Set and configure completely the DMA channel y, except enabling the channel y.
2. Set and configure completely the related DMAMUX y channel.
3. Activate the DMA channel y by setting the EN bit in the DMA y channel register.

11.4.3 DMAMUX request line multiplexer

The DMAMUX request multiplexer with its multiple channels ensures the actual routing of DMA request/acknowledge control signals, named as DMA request lines.

Each DMA request line is connected in parallel to all the channels of the DMAMUX request line multiplexer.

A DMA request is sourced from the peripherals.

The DMAMUX request line multiplexer channel x selects the DMA request line number as configured by the 8-bit DMAREQ_ID field in the DMAMUX_CxCR register.

Note: The null value in the field DMAREQ_ID corresponds to no DMA request line selected. A same non-null DMA_REQ_ID value shall not be programmed to different x and y DMAMUX request multiplexer channels (via DMAMUX1_CxCR and DMAMUX CyCR). It is not allowed to configure a same non-null DMAREQ_ID to two different channels of the DMAMUX request line multiplexer.

On top of the DMA request selection, the synchronization mode and/or the event generation may be configured and enabled, if required.

11.5 DMAMUX registers

Refer to the table about register boundary addresses for the DMAMUX base address. The registers can only be accessed by words (32-bits).

11.5.1 DMAMUX request line multiplexer channel x configuration register (DMAMUX_CxCR)

Address offset: $0x04 * x$ ($x = 0$ to 7)

Reset value: $0x0000\ 0000$

| | | | | | | | | | | | | | | | |
|----------|----|----|----|----|----|----|----|----|----|----|----------------|----|----|----|----|
| 31 | 30 | 29 | 28 | 27 | 26 | 25 | 24 | 23 | 22 | 21 | 20 | 19 | 18 | 17 | 16 |
| RESERVED | | | | | | | | | | | | | | | |
| 15 | 14 | 13 | 12 | 11 | 10 | 9 | 8 | 7 | 6 | 5 | 4 | 3 | 2 | 1 | 0 |
| RESERVED | | | | | | | | | | | DMAREQ_ID[4:0] | | | | |
| | | | | | | | | | | | rw | | | | |

| | |
|-----------|---|
| Bits 31:5 | Reserved, must be kept at reset value. |
| Bits 4:0 | DMAREQ_ID[4:0]: DMA request identification. Selects the input DMA request. DMAMUX table about assignments of multiplexer inputs to resources. |

11.5.2 DMAMUX register map

The following table summarizes the DMAMUX registers and reset values. Refer to the register boundary address table for the DMAMUX register base address.

Table 30. DMAMUX register map and reset values

| Offset | Register | 31 | 30 | 29 | 28 | 27 | 26 | 25 | 24 | 23 | 22 | 21 | 20 | 19 | 18 | 17 | 16 | 15 | 14 | 13 | 12 | 11 | 10 | 9 | 8 | 7 | 6 | 5 | 4 | 3 | 2 | 1 | 0 | |
|--------|-------------|------|------|------|------|------|------|------|------|------|------|------|------|------|------|------|------|------|------|------|------|------|------|------|------|------|------|------|---|---|---|---|---|--|
| 0x000 | DMAMUX_C0CR | Res. | Res. | Res. | Res. | Res. | Res. | Res. | Res. | Res. | Res. | Res. | Res. | Res. | Res. | Res. | Res. | Res. | Res. | Res. | Res. | Res. | Res. | Res. | Res. | Res. | Res. | Res. | | | | | | |
| | Reset value | | | | | | | | | | | | | | | | | | | | | | | | | | | | 0 | 0 | 0 | 0 | 0 | |
| 0x004 | DMAMUX_C1CR | Res. | Res. | Res. | Res. | Res. | Res. | Res. | Res. | Res. | Res. | Res. | Res. | Res. | Res. | Res. | Res. | Res. | Res. | Res. | Res. | Res. | Res. | Res. | Res. | Res. | Res. | Res. | | | | | | |
| | Reset value | | | | | | | | | | | | | | | | | | | | | | | | | | | | 0 | 0 | 0 | 0 | 0 | |
| 0x008 | DMAMUX_C2CR | Res. | Res. | Res. | Res. | Res. | Res. | Res. | Res. | Res. | Res. | Res. | Res. | Res. | Res. | Res. | Res. | Res. | Res. | Res. | Res. | Res. | Res. | Res. | Res. | Res. | Res. | Res. | | | | | | |
| | Reset value | | | | | | | | | | | | | | | | | | | | | | | | | | | | 0 | 0 | 0 | 0 | 0 | |
| 0x00C | DMAMUX_C3CR | Res. | Res. | Res. | Res. | Res. | Res. | Res. | Res. | Res. | Res. | Res. | Res. | Res. | Res. | Res. | Res. | Res. | Res. | Res. | Res. | Res. | Res. | Res. | Res. | Res. | Res. | Res. | | | | | | |
| | Reset value | | | | | | | | | | | | | | | | | | | | | | | | | | | | 0 | 0 | 0 | 0 | 0 | |
| 0x010 | DMAMUX_C4CR | Res. | Res. | Res. | Res. | Res. | Res. | Res. | Res. | Res. | Res. | Res. | Res. | Res. | Res. | Res. | Res. | Res. | Res. | Res. | Res. | Res. | Res. | Res. | Res. | Res. | Res. | Res. | | | | | | |
| | Reset value | | | | | | | | | | | | | | | | | | | | | | | | | | | | 0 | 0 | 0 | 0 | 0 | |



| Offset | Register | 31 | 30 | 29 | 28 | 27 | 26 | 25 | 24 | 23 | 22 | 21 | 20 | 19 | 18 | 17 | 16 | 15 | 14 | 13 | 12 | 11 | 10 | 9 | 8 | 7 | 6 | 5 | 4 | 3 | 2 | 1 | 0 |
|----------------|-------------|------|------|------|------|------|------|------|------|------|------|------|------|------|------|------|------|------|------|------|------|------|------|------|------|------|------|------|---|---|---|---|---|
| 0x010 | Reset value | | | | | | | | | | | | | | | | | | | | | | | | | | | | 0 | 0 | 0 | 0 | 0 |
| 0x014 | DMAMUX_C5CR | Res. | Res. | Res. | Res. | Res. | Res. | Res. | Res. | Res. | Res. | Res. | Res. | Res. | Res. | Res. | Res. | Res. | Res. | Res. | Res. | Res. | Res. | Res. | Res. | Res. | Res. | Res. | | | | | |
| | Reset value | | | | | | | | | | | | | | | | | | | | | | | | | | | | 0 | 0 | 0 | 0 | 0 |
| 0x018 | DMAMUX_C6CR | Res. | Res. | Res. | Res. | Res. | Res. | Res. | Res. | Res. | Res. | Res. | Res. | Res. | Res. | Res. | Res. | Res. | Res. | Res. | Res. | Res. | Res. | Res. | Res. | Res. | Res. | Res. | | | | | |
| | Reset value | | | | | | | | | | | | | | | | | | | | | | | | | | | | 0 | 0 | 0 | 0 | 0 |
| 0x01C | DMAMUX_C7CR | Res. | Res. | Res. | Res. | Res. | Res. | Res. | Res. | Res. | Res. | Res. | Res. | Res. | Res. | Res. | Res. | Res. | Res. | Res. | Res. | Res. | Res. | Res. | Res. | Res. | Res. | Res. | | | | | |
| | Reset value | | | | | | | | | | | | | | | | | | | | | | | | | | | | 0 | 0 | 0 | 0 | 0 |
| 0x020 0x3E8 | Reserved | Res. | | | | | | | | | | | | | | | | | | | | | | | | | | | | | | | |

12 Analog digital converter (ADC)

The STM32WB05xZ embeds a 12-bit ADC. The ADC consists of a 12-bit successive approximation analog-to-digital converter (SAR) with 2 x 8 multiplexed channels allowing measurements of up to eight external sources and up to two internal sources.

12.1 Features

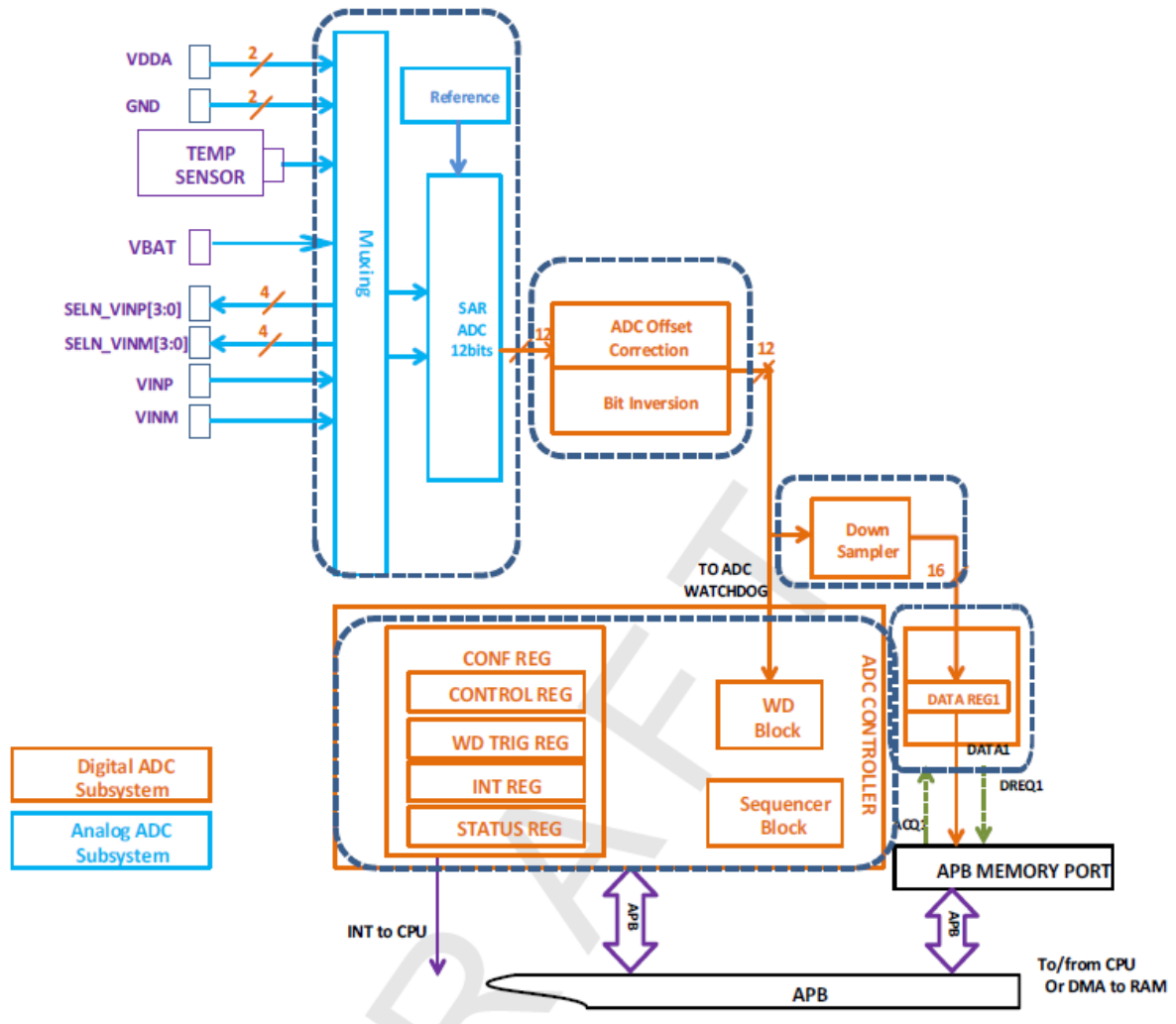
- Conversion frequency is up to 1 Msps
- Three input voltage ranges are supported (0 → 1.2 V, 0 → 2.4 V, 0 → 3.6 V)
- Up to eight analog single-ended channels or four analog differential inputs or a mix of both
- Temperature sensor conversion
- Battery level conversion up to 3.6 V
- Continuous or single acquisition
- ADC mode conversion only available, programmable in continuous or single mode
- ADC down sampler for multi-purpose applications to improve analog performance while off-loading the CPU (ratio adjustable from 1 to 128)
- A watchdog feature to inform when data is outside thresholds
- DMA capability
- Interrupt sources with flags.

12.2 ADC presentation

Figure 22. ADC top level diagram shows the top level diagram of the ADC.

The analog ADC can be configured to interface with the following inputs:

- External signals through ADC_VINPx and ADC_VINMx, where x = 0,1,2 or 3
 - Up to 4 differential inputs
 - Up to 8 single-ended inputs
- Temperature sensor
- Battery level detector up to 3.6 V

Figure 22. ADC top level diagram


The input of the data path can come from the analog ADC through the possible inputs mentioned previously. The conversion data path can go through a downsampler (for static or low frequency input signals).

Caution: Do not change the configuration registers related to the function in use. Any change done by the user on the different bits are applied immediately, with an immediate effect on the on-going process (conversion, decimator filter or downsampler). This action can lead to unexpected results.

For $V_{BAT} < 2.7\text{ V}$, the IO booster needs to be activated to maintain linearity.

12.2.1 Temperature sensor subsystem

The temperature sensor can be used to measure the junction temperature (T_j) of the device. The temperature sensor is internally connected to the ADC input channels, which are used to convert the sensor output voltage to a digital value.

The temperature sensor output voltage changes linearly with temperature. The offset of this line varies from chip-to-chip due to process variation. The uncalibrated internal temperature sensor is more suited for applications that detect temperature variations instead of absolute temperatures. To improve the accuracy of the temperature sensor measurement, calibration values are stored in system memory for each device by ST during production. During the manufacturing process, the calibration data of the temperature sensor and the internal voltage reference are stored in the system memory area. The user application can then read them and use them to improve the accuracy of the temperature sensor or the internal reference. In this way the temperature can be calculated with this formula:

$$\text{Temperature in Celsius} = (C_{meas} - C_{30} + TCK) / 10 \quad (1)$$

Where:

TCK is the chuck temperature in 0.1 °C (e.g. 30 °C = 300) readable @0x10001E5C.

C30 is the temperature sensor calibration value acquired at 30 °C readable @0x10001E60.

Cmeas is the actual temperature sensor output value converted by ADC.

Note: ADC gain and offset calibration are left as default values, 0xFFF.

Note: Refer to [Section 27: Device electronic signature \(DESIG\)](#) for information about the location where these calibration values are stored.

12.2.2 Battery sensor

The battery sensor can be used to measure the internal battery voltage of the device. The battery input is internally connected to the ADC input channels which are used to convert the sensor output voltage to a digital value.

The battery sensor range is up to 3.6 V.

The formula for ADC converted data after calibration is the following:

Code = Integer(4096/3.6 * VIN) [clamped at 4095]

As calibration points the VBAT is considered as single negative input with 3.6 V range.

Note: Refer to [Section 27.1: DESIG registers](#) for information about the location where these calibration values are stored.

12.2.3 ADC input mode conversion

The ADC is designed to deliver a digital value corresponding to the ratio between the voltage applied on the converted channel and the reference voltage, VDDA. Note that VDDA is also the ADC's power supply.

The formula for ADC digital converted data after calibration and offset is the following:

- Single-ended input mode

Code = Integer(Slope * VIN) [clamped at 4095]

where Slope for single-ended input mode has the following value:

3.6 V mode: Slope = 4096/3.6 [calibrated gain = 1/3]

2.4 V mode: Slope = 4096/2.4 [calibrated gain = 1/2]

1.2 V mode: Slope = 4096/1.25 [calibrated gain = 0.96, gain clamped at 1]

- Differential input mode

Code = Integer(Slope * (VINP - VINN)) + 2048 [clamped at 4095]

where Slope for differential input mode has the following value:

3.6 V mode: Slope = 2048/3.6 [calibrated gain = 1/3]

2.4 V mode: Slope = 2048/2.4 [calibrated gain = 1/2]

1.2 V mode: Slope = 2048/1.25 [calibrated gain = 0.96, gain clamped at 1]

12.2.4 Steady-state input impedance

As the input nature of the ADC is a switched-capacitor, its steady-state input impedance is defined as the impedance seen in DC. It depends only on the analog sampling frequency, F_s , and the input capacitor, C_{in} : $Z_{in} = 1/(C_{in} * F_s)$.

12.2.5 Input signal sampling transient response

As represented in [Figure 24. Effect of analog source resistance](#), the analog signal path consists of a series resistance (R_{ext}) between source and pin, the internal switch resistor (R_{in}), and the internal sampling capacitor (C_{in}). The charging of the capacitor is controlled by R_{in} . When there is R_{ext} in series, the effective value of charging of C_{in} is governed by $R_{in} + R_{ext}$. So, the charging time constant becomes $(R_{in} + R_{ext}) * C_{in}$ and the necessary time to reach a given accuracy is longer. The ADC's sampling time, T_{sw} , is a function of the ADC's frequency, $1/T_s$ as follows:

$$T_{sw} = T_s - 825 \times 10^{-9}$$

Figure 23. ADC sampling time T_{sw} and sampling period T_s

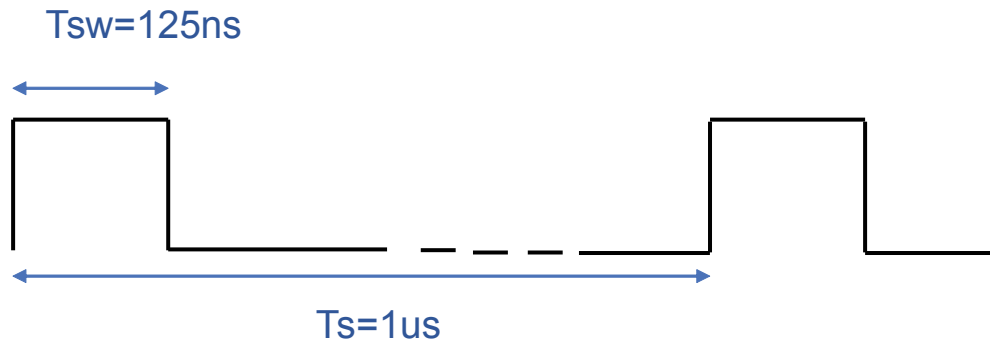
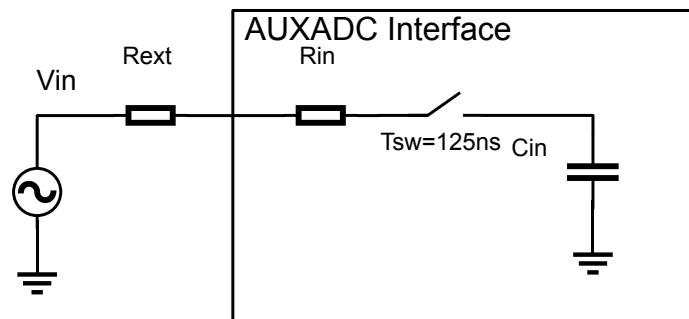


Figure 24. Effect of analog source resistance



Knowing that: $R_{in}=550\ \Omega$, $C_{in}=4\ \text{pF}$, and imposing a maximum sampling error of 1/2 bits, we can determine the maximum input resistance as below:

$$\varepsilon = (V_s - V_{in})/V_{in} = -e^{(-t/RC)}$$

$$\ln|\varepsilon| \leq t/(R_{ext}+R_{in}) \cdot C_{in}$$

$$(R_{ext}+R_{in}) \cdot C_{in} \leq t/|\ln|\varepsilon||$$

$$(R_{ext}+R_{in}) \cdot C_{in} \leq 125e-9/\ln(122e-6)$$

$$(R_{ext}+R_{in}) \cdot C_{in} \leq 14\ \text{ns}$$

$$R_{ext} \leq 14\ \text{ns}/4\ \text{pF} - 550\ \Omega$$

$$R_{ext} \leq 2950\ \Omega$$

Where:

$$|\varepsilon| \leq 1/2^{13}$$

$$|\varepsilon| \leq 122e-6$$

12.2.6 Calibration points

Calibration values are stored in the system memory for each device by ST during production. Each value consists of a 12-bit unsigned value for the gain and an 8-bit signed value for the offset as follows:

OFFSET[18:12] | GAIN[11:0]

These values can be written inside the registers COMP_x with x=1, 2, 3, 4 to apply a point to a particular ADC input. The COMP_SEL register allows a specific calibration point to be associated to one of the ADC inputs.

The offset value can be written inside the COMP_x register only if it fits in the 7-bit of register field, that means offset is in [-64, 63]. Otherwise, it can be removed by the output raw data manually as raw_value + offset.

The negative offset values need to be converted as:

offset | 0x80, if the bitfield BIT_INVERT_SN=1 (default value).

Below the list of the calibration points and their location in the system memory.

Table 31. Calibration points

| Calibration point | Address location |
|---------------------------|------------------|
| VINPx - VINMx range 1.2 V | 0x10001E00 |
| VINMx range 1.2 V | 0x10001E04 |
| VINPx range 1.2 V | 0x10001E08 |
| VINPx - VINMx range 2.4 V | 0x10001E0C |
| VINMx range 2.4 V | 0x10001E10 |
| VINPx range 2.4 V | 0x10001E14 |
| VINPx - VINMx range 3.6 V | 0x10001E18 |
| VINMx range 3.6 V | 0x10001E1C |
| VINPx range 3.6 V | 0x10001E20 |

Note: Previous version of the calibration points has the offset in 7-bit signed. This version can be recognized as the user can read at address 0x10001EFC the value 0.

Note: Refer to Section [Section 27.1: DESIG registers](#) for information about the location where these calibration values are stored.

12.2.7 Down sampler (DS)

This down sampler is a simple averaging filter, which can divide the ADC frequency by 1 to 128 by power of 2. The goal is to handle multiple ADC samples and average them into a single data with increased data width ranging from 12-bit to 16-bit.

The down sampler increases the data precision but reduces the output data rate.

Note: A constraint on the ratio between APB system clock (F_{PCLK}) and the output data rate (DR_{out}) must be respected:

- In ADC mode, the ratio to respect is $F_{PCLK} / DR_{out} \geq 4$.

Example: F_{PCLK} must be at least 2 MHz to have a $DR_{out} = 500$ kHz.

If the DMA is not used to get the data output by the down sampler filter path, the CPU needs to be clocked at a frequency ratio high enough (taking into account bus matrix latency) to avoid missing samples.

12.3 Interrupts

There are 5 maskable interrupts generated by the ADC block. These interrupts are combined to produce one single interrupt output, which is the only interrupt line from the ADC to the CPU.

Table 32. ADC interrupt requests

| Interrupt event | Event flag | Interrupt / flag clearing method | Interrupt enable control bit |
|--|------------|----------------------------------|------------------------------|
| ADC end of Conversion (Test mode only) | EOC_IRQ | Write 1 on EOC_IRQ bit | EOC_IRQ_ENA |
| Down sampler end of conversion | EODS_IRQ | Write 1 on EODS_IRQ bit | EODS_IRQ_ENA |
| End of conversion sequence | EOS_IRQ | Write 1 on EOS_IRQ bit | EOS_IRQ_ENA |
| Analog watchdog event | AWD_IRQ | Write 1 on AWD_IRQ bit | AWD_IRQ_ENA |
| Down sampler overrun | OVR_DS_IRQ | Write 1 on OVR_DS_IRQ bit | OVR_DS_IRQ_ENA |

12.4 DMA interface

The ADC has one DMA channel interface to get down sampler data output value.

The DMA feature is enabled by software through the CONF register by DMA_DS_ENA bit.

When DMA feature is disabled, the CPU reads the data through the corresponding APB register.

12.5 ADC mode

ADC is the only conversion mode available for STM32WB05xZ.

The input signal can come from:

- 8 single external channels (or 4 when coupled as differential)
- VBAT
- Temperature sensor

The conversion can be continuous or single mode.

Table 33. ADC mode summary

| Mode | Input signal | DS ⁽¹⁾ | Continuous or single |
|------|--|-------------------|----------------------|
| ADC | <ul style="list-style-type: none"> • 8 single external channels (or 4 when coupled as differential) • VBAT • Temperature sensor | DS | Continuous or single |

1. Down Sampler

12.5.1 ADC mode overview

Presentation

The ADC mode has the following characteristics:

- The input in the ADC mode can be the eight external channels and the two internal sources (VBAT and temperature sensor)
- The data path goes from the ADC to the down sampler
- The converted data is output in the DS_DATAOUT register
- The output data rates are in the range 117 ksp/s to 1 Msps
- The 12-bit converted data can be extended up to 16-bit data thanks to the down sampler. However, in this case, the output data rate is decreased

- A regular sequence of conversion can be executed in single or continuous mode
 - A regular sequence consists of chaining ADC conversions on any ADC input channel and in any order.
 - A regular sequence can chain up to 16 conversions.
 - The source of the input for each conversion of the sequence is selected through SEQx bit field in SEQ_1 and SEQ_2 registers.
 - This regular sequence can be run once or repeated continuously by setting the CONT bit in the CONF register.

ADC mode usage

This paragraph describes the process to use the ADC mode:

- Power-on the ADC if not yet done by setting the ADC_ON_OFF bit in the CTRL register
- Program the targeted data rate through SAMPLE_RATE and DS_CONF registers
- Program the input voltage selections through the SWITCH register
- Program the COMP_1 to COMP_4 and the COMP_SEL registers
- Program the ADC mode through the OP_MODE bit field in the CONF register
- Program the targeted regular sequence (up to 16 chained conversions) through SEQ_1 and SEQ_2 registers
- Specify the length of the sequence in SEQ_LEN bit field in CONF (from 0 for one conversion to 0xF for sixteen conversions).

Note: To have more than one conversion, ensure the bit SEQUENCE is well at 1 in CONF register.

- Program the CONT bit and the SEQ_LEN bit field in the CONF register, considering SEQUENCE bit is always set) depending on the wished sequence:
 - CONT = 0 and SEQ_LEN = 0 to have a single conversion on a single channel.
 - CONT = 0 and SEQ_LEN > 0 to have a single run of a sequence chaining several conversions on different channels/sources.
 - CONT = 1 and SEQ_LEN = 0 to have a continuous conversion of a single channel/source.
 - CONT = 1 and SEQ_LEN > 0 to have a continuous run of sequence chaining several conversions on different channels/sources.
- Launch the programmed regular sequence by setting the START_CONV bit in CTRL register
- Each time a data is available at the output of the down sampler, the data is stored in the DS_DATAOUT register and the EODS flag is set (as analog mode goes through the down sampler)
- To get the converted values:
 - Either the DMA is enabled on DS data path (through DMA_DS_ENA bit in CONF register) and DMA copies the converted data in RAM at the end of each data conversion
 - Or the software has enabled the EODS_IRQ interrupt and is able to get the data from DS_DATAOUT register before a new converted data is generated.

Note: If the CPU does not manage to get the converted data before a new converted data is generated, the OVR_DS_IRQ flag is raised to inform a data has been lost. The software can program the hardware behavior in case of overrun through the OVR_DS_CFG bit in CONF register:

- If 0, the previous data is kept, the new one is lost.
- If 1, the previous data is lost, the new one is kept.
- Each time the regular sequence is completed, the EOS_IRQ flag is raised (and may generate an interrupt if enabled)
- If the sequence is a single sequence (CONT=0), the ADC stops at the end of the sequence and does not restart until START_CONV bit is not set again
- If continuous conversion is enabled (CONT = 1), the ADC restarts a new sequence, and data conversion continues until the software stops it by setting the STOP_OP_MODE bit in the CTRL register. In this case, the ADC stops immediately, and the data from any ongoing conversion is discarded

12.6 ADC registers

12.6.1 Version register (VERSION_ID)

Address offset: 0x00

Reset value: 0x0000 0030

| | | | | | | | | | | | | | | | | | |
|------|------|------|------|------|------|------|------|-----------------|------|------|------|------|------|------|------|--|--|
| 31 | 30 | 29 | 28 | 27 | 26 | 25 | 24 | 23 | 22 | 21 | 20 | 19 | 18 | 17 | 16 | | |
| Res. | Res. | Res. | Res. | Res. | Res. | Res. | Res. | Res. | Res. | Res. | Res. | Res. | Res. | Res. | Res. | | |
| 15 | 14 | 13 | 12 | 11 | 10 | 9 | 8 | 7 | 6 | 5 | 4 | 3 | 2 | 1 | 0 | | |
| Res. | Res. | Res. | Res. | Res. | Res. | Res. | Res. | VERSION_ID[7:0] | | | | | | | | | |
| | | | | | | | | r | r | r | r | r | r | r | r | | |

| | |
|-----------|--|
| Bits 31:8 | Reserved, must be kept at reset value. |
| Bit 7:0 | VERSION_ID[7:0] : Version of the embedded IP. |

12.6.2 ADC configuration register (CONF)

Address offset: 0x04

Reset value: 0x0002 0002

| | | | | | | | | | | | | | | | |
|------------|------|------------|----------------------|------|------|------|------|---------------------|------|---------------------|--------------|--------------|---------------------|---------------|------|
| 31 | 30 | 29 | 28 | 27 | 26 | 25 | 24 | 23 | 22 | 21 | 20 | 19 | 18 | 17 | 16 |
| Res. | Res. | Res. | Res. | Res. | Res. | Res. | Res. | SAMPLE_RATE_ MSB | | | Res. | ADC_CONT_1V2 | BIT_INVERT_DIF F | BIT_INVERT_SN | Res. |
| | | | | | | | | | r | | | r | r | r | |
| 15 | 14 | 13 | 12 | 11 | 10 | 9 | 8 | 7 | 6 | 5 | 4 | 3 | 2 | 1 | 0 |
| OVR_DS_CFG | Res. | DMA_DS_ENA | SAMPLE_RATE[1:0] | | | Res. | Res. | Res. | Res. | SMPS_SYNCR O_ENA | SEQ_LEN[3:0] | | | SEQUENCE | CONT |
| r | | r | r | r | | | | r | r | | | r | | r | r |

| | |
|------------|--|
| Bits 31:24 | Reserved, must be kept at reset value. |
| Bits 23:21 | SAMPLE_RATE_MSB : Sample Rate MSB This field is an extension of SAMPLE_RATE definition in bits 12,11 of CONF register. It impacts the conversion rate of ADC (F_ADC). See SAMPLE_RATE bits for the full description. |
| Bit 20 | Reserved, must be kept at reset value. |
| Bit 19 | ADC_CONT_1V2 : Select the input sampling method: <ul style="list-style-type: none"> 0: Sampling time is 125 ns regardless of the sampling period 1: Sampling time is a function of the sampling period |
| Bit 18 | BIT_INVERT_DIFF : Invert bit-to-bit the ADC data output (1's complement) when a differential input is connected to the ADC: <ul style="list-style-type: none"> 0: No inversion (default) 1: Enable the inversion |

| | |
|------------|---|
| Bit 17 | <p>BIT_INVERT_SN: Invert bit-to-bit the ADC data output (1's complement) when a single negative input is connected to the ADC:</p> <ul style="list-style-type: none"> 0: No inversion 1: Enable the inversion (default) |
| Bit 16 | Reserved, must be kept at reset value. |
| Bit 15 | <p>OVR_DS_CFG: Down sampler overrun configuration:</p> <ul style="list-style-type: none"> 0: The previous data is kept, the new one is lost (default) 1: The previous data is lost, the new one is kept |
| Bit 14 | Reserved, must be kept at reset value. |
| Bit 13 | <p>DMA_DS_EN: Enable the DMA mode for the down sampler data path:</p> <ul style="list-style-type: none"> 0: DMA mode is disabled 1: DMA mode is enabled |
| Bits 12:11 | <p>SAMPLE_RATE[1:0]: Conversion rate of ADC (F_ADC): $F_ADC = F_ADC_CLK / (16 + 16 * SAMPLE_RATE_MSB + 4 * SAMPLE_RATE)$, where F_ADC_CLK is the analog ADC clock frequency. By default F_ADC_CLK is 16MHz frequency.</p> |
| Bits 10:7 | Reserved, must be kept at reset value. |
| Bit 6 | <p>SMPS_SYNCHRO_ENA: Synchronize the ADC start conversion with a pulse generated by the SMPS:</p> <ul style="list-style-type: none"> 0: SMPS synchronization is disabled for all ADC clock frequencies 1: SMPS synchronization is enabled <p>Note: SMPS_SYNCHRO_ENA must be 0 when PWRC_CR5.NOSMPS=1.</p> |
| Bits 5:2 | <p>SEQ_LEN[3:0]: Number of conversions in a regular sequence:</p> <ul style="list-style-type: none"> 0000: 1 conversion, starting from SEQ 0 0001: 2 conversions, starting from SEQ 0 — ... 1111: 16 conversions, starting from SEQ 0 |
| Bit 1 | <p>SEQUENCE: Enable the sequence mode (active by default):</p> <ul style="list-style-type: none"> 0: Sequence mode is disabled, only SEQ0 is selected 1: Sequence mode is enabled, conversions from SEQ0 to SEQx with x=SEQ_LEN (default) <p>Note: Clearing this bit is equivalent to SEQUENCE=1 and SEQ_LEN=0000. Ideally, this bit can be kept high as redundant with keeping high and setting SEQ_LEN=0000.</p> |
| Bit 0 | <p>CONT: Regular sequence runs continuously when ADC mode is enabled:</p> <ul style="list-style-type: none"> 0: Enable the single conversion: when the sequence is over, the conversion stops 1: Enable the continuous conversion: when the sequence is over, the sequence starts again until the software sets the CTRL.STOP_OP_MODE bit |

12.6.3 ADC control register (CTRL)

Address offset: 0x08

Reset value: 0x0000 0000

| | | | | | | | | | | | | | | | |
|------|------|------|------|------|------|------|------|------|------|-------------|------|------|--------------|------------|------------|
| 31 | 30 | 29 | 28 | 27 | 26 | 25 | 24 | 23 | 22 | 21 | 20 | 19 | 18 | 17 | 16 |
| Res. | Res. | Res. | Res. | Res. | Res. | Res. | Res. | Res. | Res. | Res. | Res. | Res. | Res. | Res. | Res. |
| 15 | 14 | 13 | 12 | 11 | 10 | 9 | 8 | 7 | 6 | 5 | 4 | 3 | 2 | 1 | 0 |
| Res. | Res. | Res. | Res. | Res. | Res. | Res. | Res. | Res. | Res. | ADC_LDO_ENA | Res. | Res. | STOP_OP_MODE | START_CONV | ADC_ON_OFF |
| | | | | | | | | | | rw | rw | | t | t | rw |

| | |
|-----------|---|
| Bits 31:6 | Reserved, must be kept at reset value. |
| Bit 5 | ADC_LDO_ENA: Enable the LDO associated to the ADC block: <ul style="list-style-type: none"> 0: Disable the ADCLDO 1: Enable the ADCLDO Warning: This bit must not be set on VFQFPN32 packages. |
| Bit 4 | Reserved, must be kept at reset value. |
| Bit 3 | Reserved, must be kept at reset value. |
| Bit 2 | STOP_OP_MODE⁽¹⁾: Stop the on-going OP_MODE (ADC mode, Analog audio mode, Full mode): <ul style="list-style-type: none"> 0: No effect 1: Stop on-going ADC mode Note: This bit is set by software and cleared by hardware. |
| Bit 1 | START_CONV⁽¹⁾: Generates a start pulse to initiate an ADC conversion: <ul style="list-style-type: none"> 0: No effect 1: Start the ADC conversion Note: This bit is set by software and cleared by hardware. |
| Bit 0 | ADC_ON_OFF: <ul style="list-style-type: none"> 0: Power off the ADC 1: Power on the ADC |

1. When setting the STOP_MODE_OP, the user has to wait around 10 μ s before starting a new ADC conversion by setting the START_CONV bit.

12.6.4 ADC input voltage switch selection register (SWITCH)

Address offset: 0x14

Reset value: 0x0000 0000

| | | | | | | | | | | | | | | | |
|---------------|------|---------------|------|---------------|------|---------------|------|---------------|------|---------------|------|---------------|------|---------------|------|
| 31 | 30 | 29 | 28 | 27 | 26 | 25 | 24 | 23 | 22 | 21 | 20 | 19 | 18 | 17 | 16 |
| Res. | Res. | Res. | Res. | Res. | Res. | Res. | Res. | Res. | Res. | Res. | Res. | Res. | Res. | Res. | Res. |
| 15 | 14 | 13 | 12 | 11 | 10 | 9 | 8 | 7 | 6 | 5 | 4 | 3 | 2 | 1 | 0 |
| SE_VIN_7[1:0] | | SE_VIN_6[1:0] | | SE_VIN_5[1:0] | | SE_VIN_4[1:0] | | SE_VIN_3[1:0] | | SE_VIN_2[1:0] | | SE_VIN_1[1:0] | | SE_VIN_0[1:0] | |
| rw | rw | rw | rw | rw | rw | rw | rw | rw | rw | rw | rw | rw | rw | rw | rw |

| | |
|------------|---|
| Bits 31:16 | Reserved, must be kept at reset value. |
| Bits 15:14 | SE_VIN_7[1:0]: Input voltage for VINP[3]. <ul style="list-style-type: none"> 00: Vinput = 1.2 V 01: Reserved (not used for this cut) 10: Vinput = 2.4 V 11: Vinput = 3.6 V |
| Bits 13:12 | SE_VIN_6[1:0]: Input voltage for VINP[2]. <ul style="list-style-type: none"> 00: Vinput = 1.2 V 01: Reserved (not used for this cut) 10: Vinput = 2.4 V 11: Vinput = 3.6 V |
| Bits 11:10 | SE_VIN_5[1:0]: Input voltage for VINP[1]. <ul style="list-style-type: none"> 00: Vinput = 1.2 V 01: Reserved (not used for this cut) 10: Vinput = 2.4 V 11: Vinput = 3.6 V |
| Bits 9:8 | SE_VIN_4[1:0]: Input voltage for VINP[0]. <ul style="list-style-type: none"> 00: Vinput = 1.2 V 01: Reserved (not used for this cut) 10: Vinput = 2.4 V 11: Vinput = 3.6 V |
| Bits 7:6 | SE_VIN_3[1:0]: Input voltage for VINM[3] / VINP[3]-VINM[3]. <ul style="list-style-type: none"> 00: Vinput = 1.2 V 01: Reserved (not used for this cut) 10: Vinput = 2.4 V 11: Vinput = 3.6 V |
| Bits 5:4 | SE_VIN_2[1:0]: Input voltage for VINM[2] / VINP[2]-VINM[2]. <ul style="list-style-type: none"> 00: Vinput = 1.2 V 01: Reserved (not used for this cut) 10: Vinput = 2.4 V 11: Vinput = 3.6 V |
| Bits 3:2 | SE_VIN_1[1:0]: Input voltage for VINM[1] / VINP[1]-VINM[1]. <ul style="list-style-type: none"> 00: Vinput = 1.2 V 01: Reserved (not used for this cut) 10: Vinput = 2.4 V 11: Vinput = 3.6 V |
| Bits 1:0 | SE_VIN_0[1:0]: Input voltage for VINM[0] / VINP[0]-VINM[0]. <ul style="list-style-type: none"> 00: Vinput = 1.2 V 01: Reserved (not used for this cut) 10: Vinput = 2.4 V 11: Vinput = 3.6 V |

12.6.5 Down sampler configuration register (DS_CONF)

Address offset: 0x1C

Reset value: 0x0000 0000

| | | | | | | | | | | | | | | | |
|------|------|------|------|------|------|------|------|------|------|---------------|------|------|---------------|------|------|
| 31 | 30 | 29 | 28 | 27 | 26 | 25 | 24 | 23 | 22 | 21 | 20 | 19 | 18 | 17 | 16 |
| Res. | Res. | Res. | Res. | Res. | Res. | Res. | Res. | Res. | Res. | Res. | Res. | Res. | Res. | Res. | Res. |
| 15 | 14 | 13 | 12 | 11 | 10 | 9 | 8 | 7 | 6 | 5 | 4 | 3 | 2 | 1 | 0 |
| Res. | Res. | Res. | Res. | Res. | Res. | Res. | Res. | Res. | Res. | DS_WIDTH[2:0] | | | DS_RATIO[2:0] | | |
| | | | | | | | | | | rw | rw | rw | rw | rw | rw |

| | |
|-----------|---|
| Bits 31:6 | Reserved, must be kept at reset value. |
| Bits 5:3 | DS_WIDTH[2:0]: Program the down sampler width of data output (DSDTATA). <ul style="list-style-type: none"> • 000: DS_DATA output on 12-bit (default) • 001: DS_DATA output on 13-bit • 010: DS_DATA output on 14-bit • 011: DS_DATA output on 15-bit • 100: DS_DATA output on 16-bit • 1xx: Reserved |
| Bits 2:0 | DS_RATIO[2:0]: Program the down sampler ratio (N factor). <ul style="list-style-type: none"> – 000: ratio = 1, no down sampling (default) – 001: ratio = 2 – 010: ratio = 4 – 011: ratio = 8 – 100: ratio = 16 – 101: ratio = 32 – 110: ratio = 64 – 111: ratio = 128 |

12.6.6 ADC sequence programming 1 register (SEQ_1)

Address offset: 0x20

Reset value: 0x0000 0000

| | | | | | | | | | | | | | | | |
|-----------|-----|-----|-----|-----------|-----|-----|-----|-----------|-----|-----|-----|-----------|-----|-----|-----|
| 31 | 30 | 29 | 28 | 27 | 26 | 25 | 24 | 23 | 22 | 21 | 20 | 19 | 18 | 17 | 16 |
| SEQ7[3:0] | | | | SEQ6[3:0] | | | | SEQ5[3:0] | | | | SEQ4[3:0] | | | |
| r/w | r/w | r/w | r/w | r/w | r/w | r/w | r/w | r/w | r/w | r/w | r/w | r/w | r/w | r/w | r/w |
| 15 | 14 | 13 | 12 | 11 | 10 | 9 | 8 | 7 | 6 | 5 | 4 | 3 | 2 | 1 | 0 |
| SEQ3[3:0] | | | | SEQ2[3:0] | | | | SEQ1[3:0] | | | | SEQ0[3:0] | | | |
| r/w | r/w | r/w | r/w | r/w | r/w | r/w | r/w | r/w | r/w | r/w | r/w | r/w | r/w | r/w | r/w |

| | |
|------------|---|
| Bits 31:28 | SEQ7[3:0] : Channel number code for 8 th conversion of the sequence. See SEQ0 for code detail. |
| Bits 27:24 | SEQ6[3:0] : Channel number code for 7 th conversion of the sequence. See SEQ0 for code detail. |
| Bits 23:20 | SEQ5[3:0] : Channel number code for 6 th conversion of the sequence. See SEQ0 for code detail. |
| Bits 19:16 | SEQ4[3:0] : Channel number code for 5 th conversion of the sequence. See SEQ0 for code detail. |
| Bits 15:12 | SEQ3[3:0] : Channel number code for 4 th conversion of the sequence. See SEQ0 for code detail. |
| Bits 11:8 | SEQ2[3:0] : Channel number code for 3 rd conversion of the sequence. See SEQ0 for code detail. |
| Bits 7:4 | SEQ1[3:0] : Channel number code for second conversion of the sequence. See SEQ0 for code detail. |
| Bits 3:0 | <p>SEQ0[3:0]: Channel number code for first conversion of the sequence</p> <ul style="list-style-type: none"> • 0000: VINM[0] to ADC single negative input • 0001: VINM[1] to ADC single negative input • 0010: VINM[2] to ADC single negative input • 0011: VINM[3] to ADC single negative input • 0100: VINP[0] to ADC single positive input • 0101: VINP[1] to ADC single positive input • 0110: VINP[2] to ADC single positive input • 0111: VINP[3] to ADC single positive input • 1000: VINP[0]-VINM[0] to ADC differential input • 1001: VINP[1]-VINM[1] to ADC differential input • 1010: VINP[2]-VINM[2] to ADC differential input • 1011: VINP[3]-VINM[3] to ADC differential input • 1100: VBAT - battery level detector • 1101: Temperature sensor • 111x: Reserved |

12.6.7 ADC sequence programming 2 register (SEQ_2)

Address offset: 0x24

Reset value: 0x0000 0000

| | | | | | | | | | | | | | | | |
|------------|----|----|----|------------|----|----|----|------------|----|----|----|------------|----|----|----|
| 31 | 30 | 29 | 28 | 27 | 26 | 25 | 24 | 23 | 22 | 21 | 20 | 19 | 18 | 17 | 16 |
| SEQ15[3:0] | | | | SEQ14[3:0] | | | | SEQ13[3:0] | | | | SEQ12[3:0] | | | |
| rw | rw | rw | rw | rw | rw | rw | rw | rw | rw | rw | rw | rw | rw | rw | rw |
| 15 | 14 | 13 | 12 | 11 | 10 | 9 | 8 | 7 | 6 | 5 | 4 | 3 | 2 | 1 | 0 |
| SEQ11[3:0] | | | | SEQ10[3:0] | | | | SEQ9[3:0] | | | | SEQ8[3:0] | | | |
| rw | rw | rw | rw | rw | rw | rw | rw | rw | rw | rw | rw | rw | rw | rw | rw |

| | |
|------------|---|
| Bits 31:28 | SEQ15[3:0] : Channel number code for 16 th conversion of the sequence. See SEQ8 for code detail. |
| Bits 27:24 | SEQ14[3:0] : Channel number code for 15 th conversion of the sequence. See SEQ8 for code detail. |
| Bits 23:20 | SEQ13[3:0] : Channel number code for 14 th conversion of the sequence. See SEQ8 for code detail. |
| Bits 19:16 | SEQ12[3:0] : Channel number code for 13 th conversion of the sequence. See SEQ8 for code detail. |
| Bits 15:12 | SEQ11[3:0] : Channel number code for 12 th conversion of the sequence. See SEQ8 for code detail. |
| Bits 11:8 | SEQ10[3:0] : Channel number code for 11 th conversion of the sequence. See SEQ8 for code detail. |
| Bits 7:4 | SEQ9[3:0] : Channel number code for 10 th conversion of the sequence. See SEQ8 for code detail. |
| Bits 3:0 | <p>SEQ8[3:0]: Channel number code for 9th conversion of the sequence.</p> <ul style="list-style-type: none"> • 0000: VINM[0] to ADC single negative input • 0001: VINM[1] to ADC single negative input • 0010: VINM[2] to ADC single negative input • 0011: VINM[3] to ADC single negative input • 0100: VINP[0] to ADC single positive input • 0101: VINP[1] to ADC single positive input • 0110: VINP[2] to ADC single positive input • 0111: VINP[3] to ADC single positive input • 1000: VINP[0]-VINM[0] to ADC differential input • 1001: VINP[1]-VINM[1] to ADC differential input • 1010: VINP[2]-VINM[2] to ADC differential input • 1011: VINP[3]-VINM[3] to ADC differential input • 1100: VBAT - battery level detector • 1101: Temperature sensor • 111x: Reserved |

12.6.8 ADC gain and offset correction 1 register (COMP_1)

Address offset: 0x28

Reset value: 0x0000 0555

| | | | | | | | | | | | | | | | |
|---------------|------|------|------|-------------|------|------|------|------|------|------|------|---------------|----|----|----|
| 31 | 30 | 29 | 28 | 27 | 26 | 25 | 24 | 23 | 22 | 21 | 20 | 19 | 18 | 17 | 16 |
| Res. | Res. | Res. | Res. | Res. | Res. | Res. | Res. | Res. | Res. | Res. | Res. | OSFFSET1[7:4] | | | |
| | | | | | | | | | | | | rw | rw | rw | rw |
| 15 | 14 | 13 | 12 | 11 | 10 | 9 | 8 | 7 | 6 | 5 | 4 | 3 | 2 | 1 | 0 |
| OSFFSET1[3:0] | | | | GAIN1[11:0] | | | | | | | | | | | |
| rw | rw | rw | rw | rw | rw | rw | rw | rw | rw | rw | rw | rw | rw | rw | rw |

| | |
|------------|---|
| Bits 31:20 | Reserved, must be kept at reset value. |
| Bits 19:12 | OFFSET1[7:0] : First calibration point: signed offset compensation[7:0]. |
| Bits 11:0 | GAIN1[11:0] : First calibration point: gain AUXADC_GAIN_1V2[11:0]. |

Note: Refer to [Section 27: Device electronic signature \(DESIG\)](#) for information about the location where these calibration values are stored.

12.6.9 ADC gain and offset correction 2 register (COMP_2)

Address offset: 0x2C

Reset value: 0x0000 0555

| | | | | | | | | | | | | | | | |
|--------------|------|------|------|-------------|------|------|------|------|------|------|------|--------------|----|----|----|
| 31 | 30 | 29 | 28 | 27 | 26 | 25 | 24 | 23 | 22 | 21 | 20 | 19 | 18 | 17 | 16 |
| Res. | Res. | Res. | Res. | Res. | Res. | Res. | Res. | Res. | Res. | Res. | Res. | OFFSET2[7:4] | | | |
| rw | rw | rw | rw | rw | rw | rw | rw | rw | rw | rw | rw | rw | rw | rw | rw |
| 15 | 14 | 13 | 12 | 11 | 10 | 9 | 8 | 7 | 6 | 5 | 4 | 3 | 2 | 1 | 0 |
| OFFSET2[3:0] | | | | GAIN2[11:0] | | | | | | | | | | | |
| rw | rw | rw | rw | rw | rw | rw | rw | rw | rw | rw | rw | rw | rw | rw | rw |

| | |
|------------|--|
| Bits 31:20 | Reserved, must be kept at reset value. |
| Bits 19:12 | OFFSET2[7:0] : Second calibration point: signed offset compensation[7:0]. |
| Bits 11:0 | GAIN2[11:0] : Second calibration point: gain AUXADC_GAIN_1V2[11:0]. |

Note: Refer to [Section 27: Device electronic signature \(DESIG\)](#) for information about the location where these calibration values are stored.

12.6.10 ADC gain and offset correction 3 register (COMP_3)

Address offset: 0x30

Reset value: 0x0000 0555

| | | | | | | | | | | | | | | | |
|---------------|------|------|------|-------------|------|------|------|------|------|------|------|---------------|----|----|----|
| 31 | 30 | 29 | 28 | 27 | 26 | 25 | 24 | 23 | 22 | 21 | 20 | 19 | 18 | 17 | 16 |
| Res. | Res. | Res. | Res. | Res. | Res. | Res. | Res. | Res. | Res. | Res. | Res. | OSFFSET3[7:4] | | | |
| | | | | | | | | | | | | rw | rw | rw | rw |
| 15 | 14 | 13 | 12 | 11 | 10 | 9 | 8 | 7 | 6 | 5 | 4 | 3 | 2 | 1 | 0 |
| OSFFSET3[3:0] | | | | GAIN1[11:0] | | | | | | | | | | | |
| rw | rw | rw | rw | rw | rw | rw | rw | rw | rw | rw | rw | rw | rw | rw | rw |

| | |
|------------|---|
| Bits 31:20 | Reserved, must be kept at reset value. |
| Bits 19:12 | OFFSET3[7:0] : Third calibration point: signed offset compensation[7:0]. |
| Bits 11:0 | GAIN3[11:0] : Third calibration point: gain AUXADC_GAIN_1V2[11:0]. |

Note: Refer to [Section 27: Device electronic signature \(DESIG\)](#) for information about the location where these calibration values are stored.

12.6.11 ADC gain and offset correction 4 register (COMP_4)

Address offset: 0x34

Reset value: 0x0000 0555

| | | | | | | | | | | | | | | | |
|---------------|------|------|------|-------------|------|------|------|------|------|------|------|---------------|-----|-----|-----|
| 31 | 30 | 29 | 28 | 27 | 26 | 25 | 24 | 23 | 22 | 21 | 20 | 19 | 18 | 17 | 16 |
| Res. | Res. | Res. | Res. | Res. | Res. | Res. | Res. | Res. | Res. | Res. | Res. | OSFFSET4[7:4] | | | |
| | | | | | | | | | | | | r/w | r/w | r/w | r/w |
| 15 | 14 | 13 | 12 | 11 | 10 | 9 | 8 | 7 | 6 | 5 | 4 | 3 | 2 | 1 | 0 |
| OSFFSET4[3:0] | | | | GAIN1[11:0] | | | | | | | | | | | |
| r/w | r/w | r/w | r/w | r/w | r/w | r/w | r/w | r/w | r/w | r/w | r/w | r/w | r/w | r/w | r/w |

| | |
|------------|--|
| Bits 31:19 | Reserved, must be kept at reset value. |
| Bits 19:12 | OFFSET4[7:0] : Fourth calibration point: signed offset compensation[7:0]. |
| Bits 11:0 | GAIN4[11:0] : Fourth calibration point: gain AUXADC_GAIN_1V2[11:0]. |

Note: Refer to [Section 27: Device electronic signature \(DESIG\)](#) for information about the location where these calibration values are stored.

12.6.12 ADC gain and offset selection register (COMP_SEL)

Address offset: 0x38

Reset value: 0x0000 0000

| | | | | | | | | | | | | | | | |
|-------------------|------|-------------------|------|-------------------|------|-------------------|------|-------------------|------|-------------------|------|-------------------|------|-------------------|----|
| 31 | 30 | 29 | 28 | 27 | 26 | 25 | 24 | 23 | 22 | 21 | 20 | 19 | 18 | 17 | 16 |
| Res. | Res. | Res. | Res. | Res. | Res. | Res. | Res. | Res. | Res. | Res. | Res. | Res. | Res. | OFFSET_GAIN8[1:0] | |
| | | | | | | | | | | | | | | rw | rw |
| 15 | 14 | 13 | 12 | 11 | 10 | 9 | 8 | 7 | 6 | 5 | 4 | 3 | 2 | 1 | 0 |
| OFFSET_GAIN7[1:0] | | OFFSET_GAIN6[1:0] | | OFFSET_GAIN5[1:0] | | OFFSET_GAIN4[1:0] | | OFFSET_GAIN3[1:0] | | OFFSET_GAIN2[1:0] | | OFFSET_GAIN1[1:0] | | OFFSET_GAIN0[1:0] | |
| rw | rw | rw | rw | rw | rw | rw | rw | rw | rw | rw | rw | rw | rw | rw | rw |

| | |
|------------|--|
| Bits 31:18 | Reserved, must be kept at reset value. |
| Bits 17:16 | OFFSET_GAIN8[1:0] : Gain / offset used in ADC differential mode with Vinput range = 3.6 V: <ul style="list-style-type: none"> • 00: OFFSET1 and GAIN1 from COMP_1 • 01: OFFSET2 and GAIN2 from COMP_2 • 10: OFFSET3 and GAIN3 from COMP_3 • 11: OFFSET4 and GAIN4 from COMP_4 |
| Bits 15:14 | OFFSET_GAIN7[1:0] : Gain / offset used in ADC single positive mode with Vinput range = 3.6 V: <ul style="list-style-type: none"> • 00: OFFSET1 and GAIN1 from COMP_1 • 01: OFFSET2 and GAIN2 from COMP_2 • 10: OFFSET3 and GAIN3 from COMP_3 • 11: OFFSET4 and GAIN4 from COMP_4 |
| Bits 13:12 | OFFSET_GAIN6[1:0] : Gain / offset used in ADC single negative mode with Vinput range = 3.6 V (this field also selects the gain/offset for VBAT input): <ul style="list-style-type: none"> • 00: OFFSET1 and GAIN1 from COMP_1 • 01: OFFSET2 and GAIN2 from COMP_2 • 10: OFFSET3 and GAIN3 from COMP_3 • 11: OFFSET4 and GAIN4 from COMP_4 |
| Bits 11:10 | OFFSET_GAIN5[1:0] : Gain / offset used in ADC differential mode with Vinput range = 2.4 V: <ul style="list-style-type: none"> • 00: OFFSET1 and GAIN1 from COMP_1 • 01: OFFSET2 and GAIN2 from COMP_2 • 10: OFFSET3 and GAIN3 from COMP_3 • 11: OFFSET4 and GAIN4 from COMP_4 |
| Bits 9:8 | OFFSET_GAIN4[1:0] : Gain / offset used in ADC single positive mode with Vinput range = 2.4 V: <ul style="list-style-type: none"> • 00: OFFSET1 and GAIN1 from COMP_1 • 01: OFFSET2 and GAIN2 from COMP_2 • 10: OFFSET3 and GAIN3 from COMP_3 • 11: OFFSET4 and GAIN4 from COMP_4 |
| Bits 7:6 | OFFSET_GAIN3[1:0] : Gain / offset used in ADC single negative mode with Vinput range = 2.4 V: <ul style="list-style-type: none"> • 00: OFFSET1 and GAIN1 from COMP_1 • 01: OFFSET2 and GAIN2 from COMP_2 • 10: OFFSET3 and GAIN3 from COMP_3 • 11: OFFSET4 and GAIN4 from COMP_4 |

| | |
|----------|---|
| Bits 5:4 | OFFSET_GAIN2[1:0]: Gain / offset used in ADC differential mode with Vinput range = 1.2 V: <ul style="list-style-type: none"> • 00: OFFSET1 and GAIN1 from COMP_1 • 01: OFFSET2 and GAIN2 from COMP_2 • 10: OFFSET3 and GAIN3 from COMP_3 • 11: OFFSET4 and GAIN4 from COMP_4 |
| Bits 3:2 | OFFSET_GAIN1[1:0]: Gain / offset used in ADC single positive mode with Vinput range = 1.2 V (this field also selects the gain/offset for temperature sensor input): <ul style="list-style-type: none"> • 00: OFFSET1 and GAIN1 from COMP_1 • 01: OFFSET2 and GAIN2 from COMP_2 • 10: OFFSET3 and GAIN3 from COMP_3 • 11: OFFSET4 and GAIN4 from COMP_4 |
| Bits 1:0 | OFFSET_GAIN0[1:0]: Gain / offset used in ADC single negative mode with Vinput range = 1.2 V: <ul style="list-style-type: none"> • 00: OFFSET1 and GAIN1 from COMP_1 • 01: OFFSET2 and GAIN2 from COMP_2 • 10: OFFSET3 and GAIN3 from COMP_3 • 11: OFFSET4 and GAIN4 from COMP_4 |

12.6.13 ADC watchdog threshold register (WD_TH)

Address offset: 0x3C

Reset value: 0x0FFF 0000

| | | | | | | | | | | | | | | | |
|------|------|------|------|-------------|----|----|----|----|----|----|----|----|----|----|----|
| 31 | 30 | 29 | 28 | 27 | 26 | 25 | 24 | 23 | 22 | 21 | 20 | 19 | 18 | 17 | 16 |
| Res. | Res. | Res. | Res. | WD_HT[11:0] | | | | | | | | | | | |
| | | | | rw | rw | rw | rw | rw | rw | rw | rw | rw | rw | rw | rw |
| 15 | 14 | 13 | 12 | 11 | 10 | 9 | 8 | 7 | 6 | 5 | 4 | 3 | 2 | 1 | 0 |
| Res. | Res. | Res. | Res. | WD_LT[11:0] | | | | | | | | | | | |
| | | | | rw | rw | rw | rw | rw | rw | rw | rw | rw | rw | rw | rw |

| | |
|------------|---|
| Bits 31:28 | Reserved, must be kept at reset value. |
| Bits 27:16 | WD_HT[11:0]: Analog watchdog high level threshold. |
| Bits 15:12 | Reserved, must be kept at reset value. |
| Bits 11:0 | WD_LT[11:0]: Analog watchdog low level threshold. |

12.6.14 ADC watchdog configuration register (WD_CONF)

Address offset: 0x40

Reset value: 0x0000 0000

| | | | | | | | | | | | | | | | |
|---------------|------|------|------|------|------|------|------|------|------|------|------|------|------|------|------|
| 31 | 30 | 29 | 28 | 27 | 26 | 25 | 24 | 23 | 22 | 21 | 20 | 19 | 18 | 17 | 16 |
| Res. | Res. | Res. | Res. | Res. | Res. | Res. | Res. | Res. | Res. | Res. | Res. | Res. | Res. | Res. | Res. |
| 15 | 14 | 13 | 12 | 11 | 10 | 9 | 8 | 7 | 6 | 5 | 4 | 3 | 2 | 1 | 0 |
| AWD_CHX[15:0] | | | | | | | | | | | | | | | |
| rw | rw | rw | rw | rw | rw | rw | rw | rw | rw | rw | rw | rw | rw | rw | rw |

| | |
|------------|--|
| Bits 31:16 | Reserved, must be kept at reset value. |
| Bits 15:0 | <p>AWD_CHX[15:0]: Analog watchdog channel selection to define which input channel(s) need to be guarded by the watchdog.</p> <ul style="list-style-type: none"> • Bit0: VINM[0] to ADC negative input • Bit1: VINM[1] to ADC negative input • Bit2: VINM[2] to ADC negative input • Bit3: VINM[3] to ADC negative input • Bit4: Not used • Bit5: VBAT to ADC negative input • Bit6: GND to ADC negative input • Bit7: VDDA to ADC negative input • Bit8: VINP[0] to ADC positive input • Bit9: VINP[1] to ADC positive input • Bit10: VINP[2] to ADC positive input • Bit11: VINP[3] to ADC positive input • Bit12: Not used • Bit13: TEMP to ADC positive input • Bit14: GND to ADC positive input • Bit15: VDDA to ADC positive input |

12.6.15 Down sampler data out register (DS_DATAOUT)

Address offset: 0x44

Reset value: 0x0000 0000

| | | | | | | | | | | | | | | | |
|---------------|------|------|------|------|------|------|------|------|------|------|------|------|------|------|------|
| 31 | 30 | 29 | 28 | 27 | 26 | 25 | 24 | 23 | 22 | 21 | 20 | 19 | 18 | 17 | 16 |
| Res. | Res. | Res. | Res. | Res. | Res. | Res. | Res. | Res. | Res. | Res. | Res. | Res. | Res. | Res. | Res. |
| 15 | 14 | 13 | 12 | 11 | 10 | 9 | 8 | 7 | 6 | 5 | 4 | 3 | 2 | 1 | 0 |
| DS_DATA[15:0] | | | | | | | | | | | | | | | |
| r | r | r | r | r | r | r | r | r | r | r | r | r | r | r | r |

| | |
|------------|--|
| Bits 31:16 | Reserved, must be kept at reset value. |
| Bits 15:0 | DS_DATA[15:0]: Contains the converted data at the output of the down sampler. |

12.6.16 ADC interrupt status register (IRQ_STATUS)

Address offset: 0x4C

Reset value: 0x0000 0000

| | | | | | | | | | | | | | | | |
|------|------|------|------|------|------|------|------|------|------|------------|---------|---------|------|----------|---------|
| 31 | 30 | 29 | 28 | 27 | 26 | 25 | 24 | 23 | 22 | 21 | 20 | 19 | 18 | 17 | 16 |
| Res. | Res. | Res. | Res. | Res. | Res. | Res. | Res. | Res. | Res. | Res. | Res. | Res. | Res. | Res. | Res. |
| 15 | 14 | 13 | 12 | 11 | 10 | 9 | 8 | 7 | 6 | 5 | 4 | 3 | 2 | 1 | 0 |
| Res. | Res. | Res. | Res. | Res. | Res. | Res. | Res. | Res. | Res. | OVR_DS_IRQ | AWD_IRQ | EOS_IRQ | Res. | EODS_IRQ | EOC_IRQ |
| | | | | | | | | | | rc_w1 | rc_w1 | rc_w1 | | rc_w1 | rc_w1 |

| | |
|-----------|--|
| Bits 31:6 | Reserved, must be kept at reset value. |
| Bit 5 | <p>OVR_DS_IRQ: Set to indicate a down sampler overrun (at least one data is lost). When read, provide the status of the interrupt:</p> <ul style="list-style-type: none"> • 0: No overrun occurred • 1: Overrun occurred <p>Writing this bit clears the status of the interrupt:</p> <ul style="list-style-type: none"> • 0: No effect • 1: Clear the interrupt |
| Bit 4 | <p>AWD_IRQ: Set when an analog watchdog event occurs. When read, provide the status of the interrupt:</p> <ul style="list-style-type: none"> • 0: No analog watchdog event occurred • 1: Analog watchdog event has occurred. <p>Writing this bit clears the status of the interrupt:</p> <ul style="list-style-type: none"> • 0: No effect • 1: Clear the interrupt |
| Bit 3 | <p>EOS_IRQ: Set when a sequence of conversion is completed. When read, provide the status of the interrupt:</p> <ul style="list-style-type: none"> • 0: Sequence of conversion is not completed • 1: Sequence of conversion is completed. <p>Writing this bit clears the status of the interrupt:</p> <ul style="list-style-type: none"> • 0: No effect • 1: Clear the interrupt |
| Bit 2 | Reserved, must be kept at reset value. |
| Bit 1 | <p>EODS_IRQ: Set when the down sampler conversion is completed. When read, provide the status of the interrupt:</p> <ul style="list-style-type: none"> • 0: Down sampler conversion is not completed • 1: Down sampler conversion is completed <p>Writing this bit clears the status of the interrupt:</p> <ul style="list-style-type: none"> • 0: No effect • 1: Clear the interrupt |
| Bit 0 | <p>EOC_IRQ (Used in test mode only): set when the ADC conversion is completed.</p> <p>When read, provide the status of the interrupt:</p> <ul style="list-style-type: none"> • 0: ADC conversion is not completed • 1: ADC conversion is completed <p>Writing this bit clears the status of the interrupt:</p> <ul style="list-style-type: none"> • 0: no effect • 1: clear the interrupt |

12.6.17 ADC interrupt enable register (IRQ_ENABLE)

Address offset: 0x50

Reset value: 0x0000 0000

| | | | | | | | | | | | | | | | |
|------|------|------|------|------|------|------|------|------|------|----------------|-------------|-------------|------|--------------|-------------|
| 31 | 30 | 29 | 28 | 27 | 26 | 25 | 24 | 23 | 22 | 21 | 20 | 19 | 18 | 17 | 16 |
| Res. | Res. | Res. | Res. | Res. | Res. | Res. | Res. | Res. | Res. | Res. | Res. | Res. | Res. | Res. | Res. |
| 15 | 14 | 13 | 12 | 11 | 10 | 9 | 8 | 7 | 6 | 5 | 4 | 3 | 2 | 1 | 0 |
| Res. | Res. | Res. | Res. | Res. | Res. | Res. | Res. | Res. | Res. | OVR_DS_IRQ_ENA | AWD_IRQ_ENA | EOS_IRQ_ENA | Res. | EODS_IRQ_ENA | EOC_IRQ_ENA |
| | | | | | | | | | | r/w | r/w | r/w | | r/w | r/w |

| | |
|-----------|---|
| Bits 31:6 | Reserved, must be kept at reset value. |
| Bit 5 | OVR_DS_IRQ_ENA : Down sampler overrun interrupt enable: <ul style="list-style-type: none"> 0: Down sampler interrupt is disabled 1: Down sampler interrupt is enabled |
| Bit 4 | AWD_IRQ_ENA : Analog watchdog interrupt enable: <ul style="list-style-type: none"> 0: Analog watchdog interrupt is disabled 1: Analog watchdog interrupt is enabled |
| Bit 3 | EOS_IRQ_ENA : End of regular sequence interrupt enable: <ul style="list-style-type: none"> 0: EOS interrupt is disabled 1: EOS interrupt is enabled |
| Bit 2 | Reserved, must be kept at reset value. |
| Bit 1 | EODS_IRQ_ENA : End of conversion interrupt enable for the down sampler output: <ul style="list-style-type: none"> 0: EODF interrupt is disabled 1: EODF interrupt is enabled |
| Bit 0 | EOC_IRQ_ENA (Used in test mode only): End of ADC conversion interrupt enable: <ul style="list-style-type: none"> 0: EOC interrupt is disabled 1: EOC interrupt is enabled |

12.6.18 ADC register map

Table 34. ADC register map and reset values

| Offset | Register | 31 | 30 | 29 | 28 | 27 | 26 | 25 | 24 | 23 | 22 | 21 | 20 | 19 | 18 | 17 | 16 | 15 | 14 | 13 | 12 | 11 | 10 | 9 | 8 | 7 | 6 | 5 | 4 | 3 | 2 | 1 | 0 |
|--------|-------------|------|------|------|------|------|------|------|------|------|------|------|------|------|------|------|------|------|------|------|------|------|------|------|------|-----------------|---|---|---|---|---|---|---|
| 0x00 | VERSION_ID | Res. | Res. | Res. | Res. | Res. | Res. | Res. | Res. | Res. | Res. | Res. | Res. | Res. | Res. | Res. | Res. | Res. | Res. | Res. | Res. | Res. | Res. | Res. | Res. | VERSION_ID[7:0] | | | | | | | |
| | Reset value | | | | | | | | | | | | | | | | | | | | | | | | | 0 | 0 | 1 | 1 | 0 | 0 | 0 | 0 |

| Offset | Register | 31 | 30 | 29 | 28 | 27 | 26 | 25 | 24 | 23 | 22 | 21 | 20 | 19 | 18 | 17 | 16 | 15 | 14 | 13 | 12 | 11 | 10 | 9 | 8 | 7 | 6 | 5 | 4 | 3 | 2 | 1 | 0 |
|--------|-------------|------|------|------|------|------|------|------|------|---------------------|----|----|------|--------------|---------------------|---------------|------|------------|------|------------|----------------------|----|------|------|------|------|--------------------------|---|--------------|---|---|----------|-------|
| 0x04 | CONF | Res. | Res. | Res. | Res. | Res. | Res. | Res. | Res. | SAMPLE_RATE_ MSB | | | Res. | ADC_CONT_1V2 | BIT_INVERT_DIF F | BIT_INVERT_SN | Res. | OVR_DS_CFG | Res. | DMA_DS_ENA | SAMPLE_RATE[1:0] | | Res. | Res. | Res. | Res. | SMPS_SYNC HR O_ENA | | SEQ_LEN[3:0] | | | SEQUENCE | CONT. |
| | Reset value | | | | | | | | | 0 | 0 | 0 | | 0 | 0 | 1 | | 0 | | 0 | 0 | 0 | | | | | 0 | 0 | 0 | 0 | 0 | 1 | 0 |

| Offset | Register | 31 | 30 | 29 | 28 | 27 | 26 | 25 | 24 | 23 | 22 | 21 | 20 | 19 | 18 | 17 | 16 | 15 | 14 | 13 | 12 | 11 | 10 | 9 | 8 | 7 | 6 | 5 | 4 | 3 | 2 | 1 | 0 |
|--------|-------------|------------|------|------|------------|------|------|------------|------|------|------------|------|------|--------------|------|------|------------|---------------|------|---------------|-------------|---------------|-----------|---------------|------|---------------|---------------|---------------|---------------|---------------|------------------|---------------|------------|
| 0x08 | CTRL | Res. | Res. | Res. | Res. | Res. | Res. | Res. | Res. | Res. | Res. | Res. | Res. | Res. | Res. | Res. | Res. | Res. | Res. | Res. | Res. | Res. | Res. | Res. | Res. | Res. | Res. | ADC_LDO_ENA | Res. | Res. | STOP_OP_MOD E | START_CONV | ADC_ON_OFF |
| | Reset value | | | | | | | | | | | | | | | | | | | | | | | | | | | 0 | | | 0 | 0 | 0 |
| 0x14 | SWITCH | Res. | Res. | Res. | Res. | Res. | Res. | Res. | Res. | Res. | Res. | Res. | Res. | Res. | Res. | Res. | Res. | SE_VIN_7[1:0] | | SE_VIN_6[1:0] | | SE_VIN_5[1:0] | | SE_VIN_4[1:0] | | SE_VIN_3[1:0] | | SE_VIN_2[1:0] | | SE_VIN_1[1:0] | | SE_VIN_0[1:0] | |
| | Reset value | | | | | | | | | | | | | | | | | 0 | 0 | 0 | 0 | 0 | 0 | 0 | 0 | 0 | 0 | 0 | 0 | 0 | 0 | 0 | |
| 0x1C | DS_CONF | Res. | Res. | Res. | Res. | Res. | Res. | Res. | Res. | Res. | Res. | Res. | Res. | Res. | Res. | Res. | Res. | Res. | Res. | Res. | Res. | Res. | Res. | Res. | Res. | Res. | DS_WIDTH[2:0] | | DS_RATIO[2:0] | | | | |
| | Reset value | | | | | | | | | | | | | | | | | | | | | | | | | | 0 | 0 | 0 | 0 | 0 | 0 | 0 |
| 0x20 | SEQ_1 | SEQ7[3:0] | | | SEQ6[3:0] | | | SEQ5[3:0] | | | SEQ4[3:0] | | | SEQ3[3:0] | | | SEQ2[3:0] | | | SEQ1[3:0] | | | SEQ0[3:0] | | | | | | | | | | |
| | Reset value | 0 | 0 | 0 | 0 | 0 | 0 | 0 | 0 | 0 | 0 | 0 | 0 | 0 | 0 | 0 | 0 | 0 | 0 | 0 | 0 | 0 | 0 | 0 | 0 | 0 | 0 | 0 | 0 | 0 | 0 | 0 | 0 |
| 0x24 | SEQ_2 | SEQ15[3:0] | | | SEQ14[3:0] | | | SEQ13[3:0] | | | SEQ12[3:0] | | | SEQ11[3:0] | | | SEQ10[3:0] | | | SEQ9[3:0] | | | SEQ8[3:0] | | | | | | | | | | |
| | Reset value | 0 | 0 | 0 | 0 | 0 | 0 | 0 | 0 | 0 | 0 | 0 | 0 | 0 | 0 | 0 | 0 | 0 | 0 | 0 | 0 | 0 | 0 | 0 | 0 | 0 | 0 | 0 | 0 | 0 | 0 | 0 | 0 |
| 0x28 | COMP_1 | Res. | Res. | Res. | Res. | Res. | Res. | Res. | Res. | Res. | Res. | Res. | Res. | OFFSET1[7:0] | | | | | | | GAIN1[11:0] | | | | | | | | | | | | |
| | Reset value | | | | | | | | | | | | | 0 | 0 | 0 | 0 | 0 | 0 | 0 | 0 | 0 | 0 | 1 | 0 | 1 | 0 | 1 | 0 | 1 | 0 | 1 | 0 |
| 0x2C | COMP_2 | Res. | Res. | Res. | Res. | Res. | Res. | Res. | Res. | Res. | Res. | Res. | Res. | OFFSET2[7:0] | | | | | | | GAIN2[11:0] | | | | | | | | | | | | |



| Offset | Register | 31 | 30 | 29 | 28 | 27 | 26 | 25 | 24 | 23 | 22 | 21 | 20 | 19 | 18 | 17 | 16 | 15 | 14 | 13 | 12 | 11 | 10 | 9 | 8 | 7 | 6 | 5 | 4 | 3 | 2 | 1 | 0 |
|--------|-------------|------|------|------|------|-------------|------|------|------|------|------|------|------|--------------|------|-------------------|-------------------|-------------------|-------------------|-------------------|-------------------|-------------------|-------------------|-------------------|---|---|---|---|---|---|---|---|---|
| 0x2C | Reset value | | | | | | | | | | | | | 0 | 0 | 0 | 0 | 0 | 0 | 0 | 0 | 0 | 1 | 0 | 1 | 0 | 1 | 0 | 1 | 0 | 1 | 0 | 1 |
| 0x30 | COMP_3 | Res. | Res. | Res. | Res. | Res. | Res. | Res. | Res. | Res. | Res. | Res. | Res. | OFFSET3[7:0] | | | | | | | | GAIN3[11:0] | | | | | | | | | | | |
| | Reset value | | | | | | | | | | | | | 0 | 0 | 0 | 0 | 0 | 0 | 0 | 0 | 0 | 0 | 1 | 0 | 1 | 0 | 1 | 0 | 1 | 0 | 1 | 0 |
| 0x34 | COMP_4 | Res. | Res. | Res. | Res. | Res. | Res. | Res. | Res. | Res. | Res. | Res. | Res. | OFFSET4[7:0] | | | | | | | | GAIN4[11:0] | | | | | | | | | | | |
| | Reset value | | | | | | | | | | | | | 0 | 0 | 0 | 0 | 0 | 0 | 0 | 0 | 0 | 0 | 1 | 0 | 1 | 0 | 1 | 0 | 1 | 0 | 1 | 0 |
| 0x38 | COMP_SEL | Res. | Res. | Res. | Res. | Res. | Res. | Res. | Res. | Res. | Res. | Res. | Res. | Res. | Res. | OFFSET_GAIN8[1:0] | OFFSET_GAIN7[1:0] | OFFSET_GAIN6[1:0] | OFFSET_GAIN5[1:0] | OFFSET_GAIN4[1:0] | OFFSET_GAIN3[1:0] | OFFSET_GAIN2[1:0] | OFFSET_GAIN0[1:0] | OFFSET_GAIN0[1:0] | | | | | | | | | |
| | Reset value | | | | | | | | | | | | | | | 0 | 0 | 0 | 0 | 0 | 0 | 0 | 0 | 0 | 0 | 0 | 0 | 0 | 0 | 0 | 0 | 0 | 0 |
| 0x3C | WD_TH | Res. | Res. | Res. | Res. | WD_HT[11:0] | | | | | | | | Res. | Res. | Res. | Res. | WD_LT[11:0] | | | | | | | | | | | | | | | |
| | Reset value | | | | | 1 | 1 | 1 | 1 | 1 | 1 | 1 | 1 | 1 | 1 | 1 | 1 | | | | | | 0 | 0 | 0 | 0 | 0 | 0 | 0 | 0 | 0 | 0 | 0 |
| 0x40 | WD_CONF | Res. | Res. | Res. | Res. | Res. | Res. | Res. | Res. | Res. | Res. | Res. | Res. | Res. | Res. | Res. | AWD_CHX[15:0] | | | | | | | | | | | | | | | | |
| | Reset value | | | | | | | | | | | | | | | | 0 | 0 | 0 | 0 | 0 | 0 | 0 | 0 | 0 | 0 | 0 | 0 | 0 | 0 | 0 | 0 | 0 |

| Offset | Register | 31 | 30 | 29 | 28 | 27 | 26 | 25 | 24 | 23 | 22 | 21 | 20 | 19 | 18 | 17 | 16 | 15 | 14 | 13 | 12 | 11 | 10 | 9 | 8 | 7 | 6 | 5 | 4 | 3 | 2 | 1 | 0 |
|--------|-------------|------|------|------|------|------|------|------|------|------|------|------|------|------|------|------|------|---------------|------|------|------|------|------|------|------|------|------|------------|---------|---------|------|----------|---------|
| 0x44 | DS_DATAOUT | Res. | Res. | Res. | Res. | Res. | Res. | Res. | Res. | Res. | Res. | Res. | Res. | Res. | Res. | Res. | Res. | DS_DATA[15:0] | | | | | | | | | | | | | | | |
| | Reset value | | | | | | | | | | | | | | | | | 0 | 0 | 0 | 0 | 0 | 0 | 0 | 0 | 0 | 0 | 0 | 0 | 0 | 0 | 0 | |
| 0x4C | IRQ_STATUS | Res. | Res. | Res. | Res. | Res. | Res. | Res. | Res. | Res. | Res. | Res. | Res. | Res. | Res. | Res. | Res. | Res. | Res. | Res. | Res. | Res. | Res. | Res. | Res. | Res. | Res. | OVR_DS_IRQ | AWD_IRQ | EOS_IRQ | Res. | EODS_IRQ | EOC_IRQ |
| | Reset value | | | | | | | | | | | | | | | | | | | | | | | | | | | 0 | 0 | 0 | | 0 | 0 |

| Offset | Register | 31 | 30 | 29 | 28 | 27 | 26 | 25 | 24 | 23 | 22 | 21 | 20 | 19 | 18 | 17 | 16 | 15 | 14 | 13 | 12 | 11 | 10 | 9 | 8 | 7 | 6 | 5 | 4 | 3 | 2 | 1 | 0 | |
|--------|-------------|------|------|------|------|------|------|------|------|------|------|------|------|------|------|------|------|------|------|------|------|------|------|------|------|------|------|------|------|------|------|------|------|------|
| 0x50 | IRQ_ENABLE | Res. | Res. | Res. | Res. | Res. | Res. | Res. | Res. | Res. | Res. | Res. | Res. | Res. | Res. | Res. | Res. | Res. | Res. | Res. | Res. | Res. | Res. | Res. | Res. | Res. | Res. | Res. | Res. | Res. | Res. | Res. | Res. | Res. |
| | Reset value | | | | | | | | | | | | | | | | | | | | | | | | | | | 0 | 0 | 0 | | 0 | 0 | |

Refer to [Table 3. STM32WB05xZ memory map and peripheral register boundary addresses](#) for the register boundary addresses.



13 Public key accelerator (PKA)

13.1 Introduction

The Public Key Accelerator (PKA) is intended for the computation of cryptographic public key primitives, specifically those related to RSA, Diffie-Hellmann or ECC (Elliptic Curve Cryptography) over GF(p) (Galois fields). To achieve high performance at a reasonable cost, these operations are executed in the Montgomery domain. All needed computations are performed within the accelerator, so no further hardware/software elaboration is needed to process the inputs or the outputs.

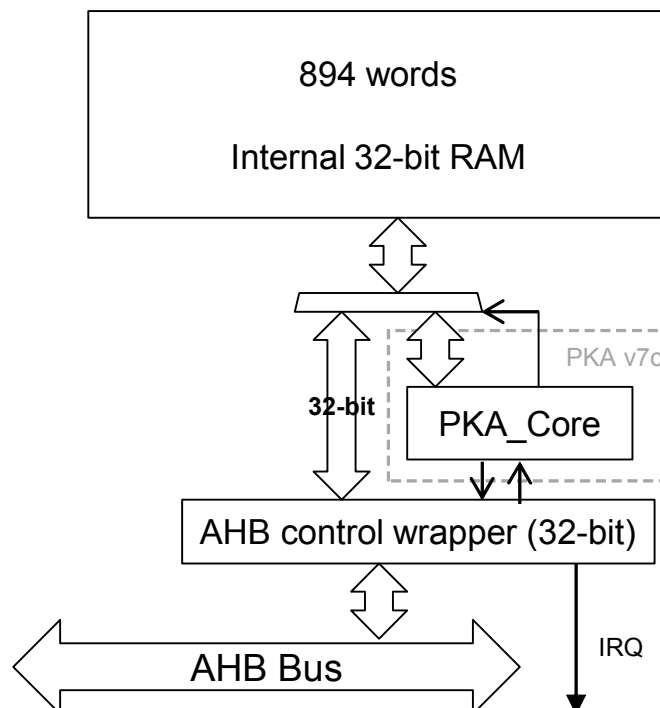
13.2 PKA main features

- Acceleration of RSA, DH and ECC over GF(p) operations, based on the Montgomery method for fast modular multiplications. More specifically:
 - RSA modular exponentiation, RSA Chinese remainder theorem (CRT) exponentiation
 - ECC scalar multiplication, point on curve check
 - ECDSA signature generation and verification.
- Capability to handle operands up to 3136 bits for RSA/DH and 640 bits for ECC
- Arithmetic and modular operations such as addition, subtraction, multiplication, modular reduction, modular inversion, comparison, and Montgomery multiplication
- Built-in Montgomery domain inward and outward transformations
- AMBA AHB slave peripheral, accessible through 32-bit word single accesses only (otherwise, for writes, an AHB bus error is generated, and write accesses are ignored).

13.3 PKA functional description

Figure 25. Block diagram shows the block diagram of the Public Key Accelerator.

Figure 25. Block diagram



PKA can be used for accelerating Rivest, Shamir and Adleman (RSA), Diffie-Hellman (DH) and Elliptic Curve Cryptography (ECC) operations over a $GF(p)$ field for operand sizes up to 3136 bits for RSA and DH, and up to 640 bits for ECC.

A memory of 3576 bytes (894 words of 32 bits) is used for providing initial data to the PKA, and for holding the results after computation is completed. This memory is called PKA RAM. Access is done through the PKA AHB interface.

A typical computing sequence by the PKA is composed by the following steps:

1. Calculation of $R2 \pmod n$ parameter to enter the Montgomery domain
2. Conversion of inputs into the Montgomery residue-system representation
3. Computation of the requested primitive (modular exponentiation for RSA/DH and point multiplication for ECC)
4. Conversion out from Montgomery representation

If several operations are computed sequentially using the same modulus n , the first step can be skipped, since the PKA can store the last computed $R2 \pmod n$. User software is also able to load precomputed values of $R2 \pmod n$ directly into the PKA.

13.3.1 Enabling/disabling PKA

Setting the EN bit (PKA_CR[0]) to '1' enables the PKA peripheral. When EN='0', the PKA peripheral is reset, no operation can be started, and the PKA memory cannot be accessed.

Clearing EN bit while a calculation is in progress causes the operation to be aborted. In this case, the content of the PKA RAM (described here below) is not guaranteed.

13.3.2 PKA RAM

The PKA RAM is an internal memory block of 3576 bytes which is organized as 894 words of 32 bits. Each 32-bit word has an address associated with it, from decimal offset 0 to 893.

The offset address to access the first word of the memory block is 0x400. External masters may access this internal memory block from the PKA AHB interface.

Note: Only 32 bits access are supported.

Accesses are allowed only while there is no computation in progress (BUSY = 0). During computation the internal memory block is accessed by the PKA core itself.

13.3.3 Executing a PKA operation

PKA is able to perform 18 types of operations. Each of those PKA operations is executed using the following procedure:

1. Load initial data into the PKA internal RAM.
2. Load the MODE[5:0] field specifying the operation to be executed and assert the START bit. Both fields are in the PKA_CR register.
3. Wait until the PROCENDF bit in the PKA_SR register is set, which indicates that the computation is complete.
4. Read the result data from the PKA internal RAM.

The operations and their corresponding input data and results are described in [Section 13.4: Operating modes](#).

13.3.4 Security level

The PKA device offers a countermeasure to thwart side band channel attack. This protection can be activated by setting the bit SEC_LVL in the PKA_CR register. One must know that this specific protection mode increases the processing time by 25% on average.

13.3.5 PKA error management

When PKA is used some errors can occur:

- The access to PKA RAM falls outside the expected range or access to PKA registers falls outside the expected range. In this case the Address Error flag (ADDRERRF) is set in the PKA_SR register
- An AHB access to the PKA RAM occurred while the PKA core was using it. In this case the RAM Error Flag (RAMERRF) is set in the PKA_SR register, reads to PKA RAM return zero, while writes are ignored.

For each error flag above, PKA generates an interrupt if the application sets the corresponding bit in PKA_CR register (see [Section 13.5.1: PKA interrupts](#) for details).

ADDRERRF and RAMERRF errors are cleared by setting the corresponding bit in PKA_CLRFR.

The PKA can be re-initialized at any moment by resetting the EN bit in the PKA_CR register.

13.4 Operating modes

There are 18 types of operations that the PKA can perform. Each of these operating modes has an associated code which is to be written to the MODE[5:0] field in the PKA_CR register.

Table 35. Operating modes

| MODE[5:4] | MODE[3:0] | Operation performed |
|-----------|-----------|---|
| 00 | 0000 | Compute Montgomery parameter and modular exponentiation |
| 00 | 0001 | Compute Montgomery parameter |
| 00 | 0010 | Compute modular exponentiation only (Montgomery parameter should be loaded) |
| 10 | 0000 | Compute Montgomery parameter and compute ECC kP operation |
| 10 | 0010 | Compute the ECC kP primitive only (Montgomery parameter should be loaded) |
| 10 | 0100 | ECDSA sign |
| 10 | 0110 | ECDSA verification |
| 10 | 1000 | Point Check |
| 00 | 0111 | RSA CRT exponentiation |
| 00 | 1000 | Modular inversion |
| 00 | 1001 | Arithmetic addition |
| 00 | 1010 | Arithmetic subtraction |
| 00 | 1011 | Arithmetic multiplication |
| 00 | 1100 | Comparison |
| 00 | 1101 | Modular reduction |
| 00 | 1110 | Modular addition |
| 00 | 1111 | Modular subtraction |
| 01 | 0000 | Montgomery multiplication |

The format of the input data and the results in the PKA RAM are specified for each operating mode in the following sections.

The size of the operands is configurable. For RSA operations (where MODE[5]=0), the maximum “rsa_size” is 3136 bits. For ECC operations (where MODE[5]=1), the maximum “ecc_size” is 640.

In the tables below, the acronyms ROS (RSA operand size) and EOS (ECC operand size) indicate how many words the given field includes.

$$\text{ROS} = (\text{rsa_size} / 32) + 1$$

$$\text{EOS} = (\text{ecc_size} / 32) + 1$$

Fractional results are rounded up to the nearest integer since the PKA's processing is based on 32-bit words. The maximum ROS is 99 (3136-bit maximum exponent size), while the maximum EOS is 21 (640-bit maximum operand size).

For example, if you want to compute RSA with an operand of 1024 bits, then ROS equals 33. If you want to compute ECC with an operand of 192 bits, then EOS = 7.

Note: For the input fields whose size is ROS, ROS/2, or EOS, an additional word which is entirely zeros must be written after the last word. For example, to prepare for the calculation of the Montgomery parameter, ROS words are written for the modulus starting at address 305 until address 305+ROS-1. A word of all zeros must also be written at address 305+ROS before starting the calculation.

13.4.1 Compute Montgomery parameter

During this operation the PKA computes the Montgomery parameter $R2 \pmod n$.

Table 36. Montgomery parameter input data

| Input data | Decimal address | Hexadecimal offset in PKA | Size (words) |
|-------------------------------|-----------------|---------------------------|--------------|
| Number of bits of the modulus | 1 | 0x00404 | 1 |
| Modulus 'n' | 599 | 0x0D5C | ROS |

Table 37. Montgomery parameter output data

| Output data | Decimal address | Hexadecimal offset in PKA | Size (words) |
|----------------------|-----------------|---------------------------|--------------|
| Montgomery parameter | 101 | 0x0594 | ROS |

Note: Computation of the Montgomery parameter depends on the word size of the core, so for a given modulus the core produces a different Montgomery parameter with word size = 64 than with word size = 32.

13.4.2 Compute modular exponentiation

During this operation the PKA computes the modular exponentiation $m^e \pmod n$.

Table 38. Modular exponentiation input data

| Input data | Decimal address | Hexadecimal offset in PKA | Size (words) |
|---|-----------------|---------------------------|--------------|
| Number of bits of the exponent 'e' | 0 | 0x0400 | 1 |
| Number of bits of the operands 'm' | 1 | 0x0404 | 1 |
| Storage area for Montgomery parameter. Must be used if MODE[5:0]="000010" (modular exponentiation only) | 101 | 0x0594 | ROS |
| Base of the exponentiation 'm' | 401 | 0x0A44 | ROS |
| Exponent to process 'e' | 500 | 0x0BD0 | ROS |
| Modulus 'n' | 599 | 0x0D5C | ROS |

Table 39. Modular exponentiation output data

| Output data decimal address | Hexadecimal | Offset in PKA | Size (words) |
|---|-------------|---------------|--------------|
| Storage area for Montgomery parameter (OPTIONAL) | 101 | 0x0594 | ROS |
| S and M algorithm accumulator1 (result of the exponentiation) | 201 | 0x0724 | ROS |
| S and M algorithm accumulator2 (square) | 301 | 0x08B4 | ROS |
| Base of the exponentiation 'm' | 401 | 0x0A44 | ROS |
| S and M algorithm accumulator3 (dummy if sec_level=1) | 699 | 0x0EEC | ROS |

Note: The core supports only odd modulus. If modulus randomization is applied, the randomized modulus has to be an odd number. Both exponent and operand are unsigned integers represented in binary form on 32 bits. Both must be less or equal to max_rsa_size (3136).

13.4.3 Compute the ECC scalar multiplication

During this operation the PKA computes the ECC scalar multiplication kP.

Table 40. ECC scalar multiplication input data

| Input data | Decimal address | Hexadecimal offset in PKA | Size (words) |
|---|-----------------|---------------------------|--------------|
| Number of bits of 'k' | 0 | 0x0400 | 1 |
| Number of bits of the modulus GF(p). For NIST P-256 value is 256. | 1 | 0x0404 | 1 |
| ECC curve 'a' coefficient sign. 0x0: positive; 0x1:negative For NIST curves over prime fields value is 0x1. | 2 | 0x0408 | 1 |
| ECC curve 'a' coefficient absolute value. For NIST curves over prime fields value is 0x3. | 3 | 0x040C | EOS |
| ECC curve prime modulus 'p' | 24 | 0x0460 | EOS |
| Storage area for Montgomery Parameter. Must be used if MODE[5:0]="100010" (scalar multiplication only). | 45 | 0x04B4 | EOS |
| The 'k' of kP | 66 | 0x0508 | EOS |
| Initial point 'P' coordinates | | | |
| X | 87 | 0x055C | EOS |
| Y | 108 | 0x05B0 | EOS |

Table 41. ECC scalar multiplication output data

| Output data | Decimal address | Hexadecimal offset in PKA | Size (words) |
|----------------------------|-----------------|---------------------------|--------------|
| Coordinates of the result | | | |
| X | 87 | 0x055C | EOS |
| Y | 108 | 0x05B0 | EOS |
| Coordinates of last double | | | |
| X1 | 634 | 0x0DE8 | EOS |
| Y1 | 655 | 0x0E3C | EOS |
| Z1 | 676 | 0x0E90 | EOS |
| Coordinates of check point | | | |
| X2 | 697 | 0x0EE4 | EOS |
| Y2 | 718 | 0x0F38 | EOS |
| Z2 | 739 | 0x0F8C | EOS |

Note: *The core supports only prime modulus; it is not possible to apply modulus randomization. The input value k is required to be greater than zero. If the user wants to execute the side channel protection known as scalar blinding (where the scalar 'k' is randomized via the addition of a multiple of the order of the curve n), the PKA core is not able to deal with the case where the internal temporary result falls in the point at infinity. It is very unlikely to fall in the point at infinity, but it is possible to check that this inconvenience has happened by checking the final result. I.e. if the temporary result is equal to the point at infinity, the final result has both coordinates x and y equal to zero, that is not a point on the curve. When the scalar 'k' is smaller than the order, it is not possible to reach the point at infinity.*

13.4.4 Point check

During this operation the PKA computes a boolean informing whether the given point P satisfies the curve over prime fields equation or not. If output error is equal to zero the point is on the curve.

Table 42. Point check input data

| Input data | Decimal address | Hexadecimal offset in PKA | Size (words) |
|---|-----------------|---------------------------|--------------|
| Number of bits of the modulus GF(p). For NIST P-256 value is 256. | 1 | 0x0404 | 1 |
| ECC curve 'a' coefficient sign. 0x0: positive; 0x1:negative For NIST curves over prime fields value is 0x1. | 2 | 0x0408 | 1 |
| ECC curve 'a' coefficient absolute value. | 3 | 0x040C | EOS |
| ECC curve 'b' coefficient absolute value. | 255 | 0x07FC | EOS |
| ECC curve prime modulus 'p' | 24 | 0x0460 | EOS |
| The point 'P' coordinates | | | |
| X | 87 | 0x055C | EOS |
| Y | 108 | 0x05B0 | EOS |

Table 43. Point check output data

| Output data | Decimal address | Hexadecimal offset in PKA | Size (words) |
|--|-----------------|---------------------------|--------------|
| Error output result. If it is different from zero the point 'P' is not on the curve. | 0 | 0x0400 | 1 |

Note: Coordinates X and Y of the point P must be smaller than the modulus.

13.4.5 ECDSA sign

During this operation the PKA computes a signed message using elliptic curves over prime fields.

Table 44. ECDSA sign input data

| Input data | Decimal address | Hexadecimal offset in PKA | Size (words) |
|--|-----------------|---------------------------|--------------|
| Number of bits of the order. For SHA-256 value is 256. | 1 | 0x0400 | 1 |
| Number of bits of the modulus GF(p). For NIST P-256 value is 256. | 1 | 0x404 | 1 |
| ECC curve 'a' coefficient sign. 0x0: positive 0x1: negative For NIST curves over prime fields value is 0x1. | 2 | 0x408 | 1 |
| ECC curve 'a' coefficient absolute value. For NIST curves over prime fields value is 0x3. | 3 | 0x040C | EOS |
| ECC curve prime modulus 'p' | 24 | 0x0460 | EOS |
| Random integer 'k' generated outside the PKA for this ECDSA signature | 66 | 0x0508 | EOS |
| The initial point 'P' coordinates X Y | 87 108 | 0x055C 0x05B0 | EOS EOS |
| Hash of the message 'e' | 634 | 0x0DE8 | EOS |
| Private key 'd' | 655 | 0x0E3C | EOS |
| Integer prime order of the curve 'n' | 677 | 0x0E94 | EOS |

Table 45. ECDSA sign output data

| Output data | Decimal address | Hexadecimal offset in PKA | Size (words) |
|--|-----------------|---------------------------|--------------|
| Error output result. If it is different from zero, a new 'k' should be generated and ECDSA sign operation needs to be repeated | 698 | 0x0EE8 | 1 |
| Signature part 'r' | 192 | 0x0700 | EOS |
| Signature part 's' | 213 | 0x0754 | EOS |
| The final point 'kP' (optional) X Y | 783 804 | 0x103C 0x1090 | EOS EOS |

Note: The prime modulus for P-256 curve is $p = 2^{256} - 2^{224} + 2^{192} + 2^{96} - 1$ which corresponds to hexadecimal value `0xFFFFFFFF 00000001 00000000 00000000 00000000 FFFFFFFF FFFFFFFF FFFFFFFF`.

13.4.6 ECDSA verification

During this operation the PKA computes a boolean informing whether given signature is valid or not. This signature is based on an elliptic curve over prime fields.

If output error is equal to zero the signature is valid.

Table 46. ECDSA verification input data

| Input data | Decimal address | Hexadecimal offset in PKA | Size (words) |
|--|-----------------|---------------------------|--------------|
| Number of bits of the order. For SHA-256 value is 256. | 1 | 0x0404 | 1 |
| Number of bits of the modulus GF(p). For NIST P-256 value is 256. | 45 | 0x04B4 | 1 |
| ECC curve 'a' coefficient sign. 0x0: positive; 0x1: negative For NIST curves over prime fields value is 0x1. | 23 | 0x045C | 1 |
| ECC curve 'a' coefficient absolute value. For NIST curves over prime fields value is 0x3. | 24 | 0x0460 | EOS |
| ECC curve prime modulus 'p' | 46 | 0x04B8 | EOS |
| The initial point 'P' coordinates X | 122 | 0x05E8 | EOS |
| Y | 143 | 0x063C | EOS |
| Public key point 'Qa' coordinates X | 720 | 0x0F40 | EOS |
| Y | 741 | 0x0F94 | EOS |
| Signature part 'r' | 806 | 0x1098 | EOS |
| Signature part 's' | 401 | 0x0A44 | EOS |
| Hash of the message 'e' | 762 | 0x0FE8 | EOS |
| Integer prime order of the curve 'n' | 599 | 0x0D5C | EOS |

Table 47. ECDSA verification output data

| Output data | Decimal address | Hexadecimal offset in PKA | Size (Words) |
|--|-----------------|---------------------------|--------------|
| Error output result. If it is different from 0, the signature is not verified. | 108 | 0x05B0 | 1 |

13.4.7 RSA CRT exponentiation

During this operation the PKA computes the Chinese Remainder Theorem (CRT) optimization.

Table 48. RSA CRT exponentiation input

| Input data | Decimal address | Hexadecimal offset in PKA | size (words) |
|--------------------------------|-----------------|---------------------------|--------------|
| Number of bits of the operands | 1 | 0x0404 | 1 |
| CRT parameter 'Dp' | 151 | 0x065C | ROS/2 |
| CRT parameter 'Dq' | 500 | 0x0BD0 | ROS/2 |
| CRT parameter 'qlnv' | 251 | 0x07EC | ROS/2 |
| Prime 'p' | 351 | 0x097C | ROS/2 |
| Prime 'q' | 599 | 0x0D5C | ROS/2 |
| Base of the exponentiation | 699 | 0x0EEC | ROS |

Table 49. RSA CRT exponentiation output data

| Output data | Decimal address | Hexadecimal offset in PKA | Size (words) |
|------------------|-----------------|---------------------------|--------------|
| Operation result | 201 | 0x0724 | ROS |

Note: CRT is supported for modulus up to 3072 bits, with prime p and q of the same length i.e. half of the length of the modulus.

13.4.8 Modular reduction

During this operation the PKA computes a modular reduction.

Table 50. Modular reduction input data

| Input data | Decimal address | Hexadecimal offset in PKA | Size (words) |
|----------------|-----------------|---------------------------|--------------|
| Operand length | 0 | 0x0400 | 1 |
| Operand | 301 | 0x08B4 | ROS |
| Modulus length | 1 | 0x0404 | 1 |
| Modulus | 401 | 0x0A44 | ROS |

Table 51. Modular reduction output data

| Output data | Decimal address | Hexadecimal offset in PKA | Size (words) |
|------------------|-----------------|---------------------------|--------------|
| Operation result | 500 | 0x0BD0 | ROS |

13.4.9 Arithmetic addition

During this operation the PKA computes the arithmetic addition of two inputs, op1 and op2.

Table 52. Arithmetic addition input data

| Input data | Decimal address | Hexadecimal offset in PKA | Size (words) |
|----------------|-----------------|---------------------------|--------------|
| Operand length | 1 | 0x0400 | 1 |
| op1 | 301 | 0x08B4 | ROS |
| op2 | 401 | 0x0A44 | ROS |

Table 53. Arithmetic addition output data

| Output data | Decimal address | Hexadecimal offset in PKA | Size (words) |
|--------------------------------|-----------------|---------------------------|--------------|
| Operation result: op1 + op2 | 500 | 0x0BD0 | ROS+1 |

13.4.10 Arithmetic Subtraction

During this operation the PKA computes the arithmetic subtraction of two inputs, op1 and op2.

Table 54. Arithmetic subtraction input data

| Input data | Decimal address | Hexadecimal offset in PKA | Size (words) |
|----------------|-----------------|---------------------------|--------------|
| Operand length | 1 | 0x0400 | 1 |
| op1 | 301 | 0x08B4 | ROS |
| op2 | 401 | 0x0A44 | ROS |

Table 55. Arithmetic subtraction output data

| Output data | Decimal address | Hexadecimal offset in PKA | size (words) |
|--------------------------------|-----------------|---------------------------|--------------|
| Operation result: op1 - op2 | 500 | 0x0BD0 | ROS |

13.4.11 Comparison

During this operation, given two inputs op1 and op2, the PKA computes comparisons as follow:

- If op1 = op2, then the result = 0
- If op1 > op2, then the result = 1
- If op1 < op2, then the result = 2

Table 56. Comparison input data

| Input data | Decimal address | Hexadecimal offset in PKA | size (words) |
|----------------|-----------------|---------------------------|--------------|
| Operand length | 1 | 0x0400 | 1 |
| op1 | 301 | 0x08B4 | ROS |
| op2 | 401 | 0x0A44 | ROS |

Table 57. Comparison output data

| Output data | Decimal address | Hexadecimal offset in PKA | Size (words) |
|--|-----------------|---------------------------|--------------|
| Operation result: If op1 = op2, then result = 0 If op1 > op2, then result = 1 If op1 < op2, then result = 2 | 500 | 0x0BD0 | 1 |

13.4.12 Arithmetic multiplication

During this operation the PKA computes the arithmetic multiplication of two inputs, op1 and op2.

Table 58. Arithmetic multiplication input data

| Input data | Decimal address | Hexadecimal offset in PKA | Size (words) |
|----------------|-----------------|---------------------------|--------------|
| Operand length | 1 | 0x0400 | 1 |
| op1 | 301 | 0x08B4 | ROS |
| op2 | 401 | 0x0A44 | ROS |

Table 59. Arithmetic multiplication output data

| Output data | Decimal address | Hexadecimal offset in PKA | Size (words) |
|--------------------------------|-----------------|---------------------------|--------------|
| Operation result: op1 x op2 | 500 | 0x0BD0 | 2*ROS |

13.4.13 Modular addition

During this operation the PKA computes the addition of op1 by op2 modulus op3.

Table 60. Modular addition input data

| Input data | Decimal address | Hexadecimal offset in PKA | Size (words) |
|----------------|-----------------|---------------------------|--------------|
| Operand length | 1 | 0x0400 | 1 |
| op1 | 301 | 0x08B4 | ROS |
| op2 | 401 | 0x0A44 | ROS |
| op3 (modulus) | 599 | 0x0D5C | ROS |

Table 61. Modular addition output data

| Output data | Decimal address | Hexadecimal offset in PKA | Size (words) |
|--|-----------------|---------------------------|--------------|
| Operation result: (op1 + op2) mod op3 | 500 | 0x0BD0 | ROS |

13.4.14 Modular inversion

During this operation the PKA computes the inversion of op1 modulus op2. Note that op1 must be smaller than the modulus op2.

Table 62. Modular inversion input data

| Input data | Decimal address | Hexadecimal offset in PKA | Size (words) |
|----------------|-----------------|---------------------------|--------------|
| Operand length | 1 | 0x0400 | 1 |
| op1 | 301 | 0x08B4 | ROS |
| op2 (modulus) | 401 | 0x0A44 | ROS |

Table 63. Modular inversion output data

| Output data | Decimal address | Hexadecimal offset in PKA | Size (words) |
|------------------|-----------------|---------------------------|--------------|
| Operation result | 500 | 0x0BD0 | ROS |

Note: The operand to invert should be coprime with the modulus. In case this is not known, and the operand is a divisor of the modulus, the result is a multiple of a factor of the modulus.

13.4.15 Modular subtraction

During this operation the PKA computes the subtraction of op1 by op2 modulus op3.

Table 64. Modular subtraction input data

| Input data | Decimal address | Hexadecimal offset in PKA | Size (words) |
|----------------|-----------------|---------------------------|--------------|
| Operand length | 1 | 0x0400 | 1 |
| op1 | 301 | 0x08B4 | ROS |
| op2 | 401 | 0x0A44 | ROS |
| op3 (modulus) | 599 | 0x0D5C | ROS |

Table 65. Modular subtraction output data

| Output data | Decimal address | Hexadecimal offset in PKA | Size (words) |
|--|-----------------|---------------------------|--------------|
| Operation result: (op1 - op2) mod op3 | 500 | 0x0BD0 | ROS |

Note: Reduction happens when op2 is larger than op1. The result is always smaller than op3 and equal or larger than zero.

13.4.16 Montgomery multiplication

During this operation the PKA computes the multiplication of op1 by op2 modulus op3 in the Montgomery space. Before issuing this operation the PKA needs to set some internal registers, which can be done by issuing a Montgomery parameter computation, an ECC scalar multiplication or any ECC operation.

Table 66. Montgomery multiplication input data

| Input data | Decimal address | Hexadecimal offset in PKA | Size (words) |
|----------------|-----------------|---------------------------|--------------|
| Operand length | 1 | 0x0400 | 1 |
| op1 | 301 | 0x08B4 | ROS |
| op2 | 401 | 0x0A44 | ROS |
| op3 (modulus) | 599 | 0x0D5C | ROS |

Table 67. Montgomery multiplication output data

| Output data | Decimal address | Hexadecimal offset in PKA | Size (words) |
|------------------|-----------------|---------------------------|--------------|
| Operation result | 500 | 0x0BD0 | ROS |

Note: In order to convert a number from natural representation to Montgomery domain it is necessary to perform a Montgomery multiplication between the number and the Montgomery parameter (called also $R2 \bmod n$). Besides, in order to convert a number from Montgomery domain to natural domain a Montgomery multiplication between the Montgomery number and one has to be computed.

13.5 Processing time

The following tables summarize the PKA computation times, expressed in clock cycles.

Table 68. Modular exponentiation

| Exponent length (in bits) | Mode | Operand length (in bits) | | |
|------------------------------|--------|--------------------------|----------|-----------|
| | | 1024 | 2048 | 3072 |
| 3 | Normal | 152000 | 407000 | 864000 |
| | Fast | 23000 | 82000 | 178000 |
| 17 | Normal | 163000 | 448000 | 955000 |
| | Fast | 34000 | 123000 | 267000 |
| 2 ¹⁶ +1 | Normal | 208000 | 611000 | 1308000 |
| | Fast | 79000 | 286000 | 622000 |
| 1024 | Normal | 5832000 | - | - |
| | Fast | 5640000 | - | - |
| 2048 | Normal | - | 41917000 | - |
| | Fast | - | 41023000 | - |
| 3072 | Normal | - | - | 137477000 |
| | Fast | - | - | 136761000 |

Table 69. ECC scalar multiplication

| Mode | Modulus length (in bits) | | | | | | |
|--------|--------------------------|---------|---------|---------|---------|----------|----------|
| | 160 | 192 | 256 | 320 | 384 | 512 | 521 |
| Normal | 817000 | 1250000 | 2462000 | 4254000 | 6821000 | 14445000 | 16580000 |
| Fast | 815000 | 1247000 | 2458000 | 4247000 | 6807000 | 14421000 | 16579000 |

Note: These times depend on the number of "1"s included in the scalar parameter.

Table 70. ECDSA signature average computation time

| Modulus length (in bits) | | | | | | |
|--------------------------|---------|---------|---------|---------|----------|----------|
| 160 | 192 | 256 | 320 | 384 | 512 | 521 |
| 880000 | 1332000 | 2645000 | 4508000 | 7298000 | 15309000 | 17770000 |

Note: These values are average execution times of random moduli of given length, as they depend upon the length and the value of the modulus. The execution time for the moduli that define the finite field of NIST elliptic curves is shorter than that needed for the moduli used for Brainpool elliptic curves or for random moduli of the same size.

Table 71. ECDSA verification average computation times

| Modulus length (in bits) | | | | | | |
|--------------------------|---------|---------|---------|----------|----------|----------|
| 160 | 192 | 256 | 320 | 384 | 512 | 521 |
| 1750000 | 2675000 | 5249000 | 9063000 | 14559000 | 30673000 | 35794000 |

Table 72. Montgomery parameters average computation times

| Modulus length (in bits) | | | | | | | | | |
|--------------------------|------|------|------|-------|-------|-------|-------|--------|--------|
| 160 | 192 | 256 | 320 | 384 | 512 | 521 | 1024 | 2048 | 3072 |
| 2259 | 3923 | 5924 | 7451 | 10841 | 17506 | 32000 | 59768 | 233073 | 552321 |

Note: The computation times depend upon the length and the value of the modulus, hence these values are average execution times of random moduli of given length.

13.5.1 PKA interrupts

There are three individual maskable interrupt sources generated by the public key accelerator when enabled by EN bit, signaling the following events:

1. Access to unmapped address (ADDRERRF), see [Section 13.3.5: PKA error management](#)
2. PKARAM access while PKA operation is in progress (RAMERRF), see [Section 13.3.5: PKA error management](#)
3. PKA end of operation (PROCENDF)

Three interrupt sources are connected to the same global interrupt request signal pka_it. The user can enable or disable the above interrupt sources individually by changing the mask bits in [Section 13.6.1: PKA control register \(PKA_CR\)](#). Setting the appropriate mask bit to 1 enables the interrupt. The status of the individual interrupt events can be read from the PKA status register (PKA_SR), and it is cleared in the PKA_CLRFR register.

[Table 73. PKA interrupt requests](#) gives a summary of the available features.

Table 73. PKA interrupt requests

| Interrupt event | Event flag | Enable control bit |
|----------------------------------|------------|--------------------|
| Access to unmapped address error | ADDRERRF | ADDRERRIE |
| PKA RAM access error | RAMERRF | RAMERRIE |
| PKA end of operation | PROCENDF | PROCENDIE |

13.6 PKA registers

13.6.1 PKA control register (PKA_CR)

Address offset: 0x00

Reset value: 0x0000 0000

| | | | | | | | | | | | | | | | | |
|------|------|------|------|------|------|------|------|------|------|------|------------|-----------|--------|------------|------|--|
| 31 | 30 | 29 | 28 | 27 | 26 | 25 | 24 | 23 | 22 | 21 | 20 | 19 | 18 | 17 | 16 | |
| Res. | Res. | Res. | Res. | Res. | Res. | Res. | Res. | Res. | Res. | Res. | ADDR ERRIE | RAM ERRIE | Res. | PROC ENDIE | Res. | |
| | | | | | | | | | | | rw | rw | | rw | | |
| 15 | 14 | 13 | 12 | 11 | 10 | 9 | 8 | 7 | 6 | 5 | 4 | 3 | 2 | 1 | 0 | |
| Res. | Res. | Mode | | | | | | Res. | Res. | Res. | Res. | Res. | SECLVL | START | EN | |
| | | rw | rw | rw | rw | rw | rw | | | | | | rw | rw | rw | |

| | |
|------------|--|
| Bits 31:21 | Reserved, must be kept at zero |
| Bit 20 | ADDRERRIE : Address error interrupt enable <ul style="list-style-type: none"> 0: Interrupt is disabled 1: An interrupt is generated when ADDRERRF (PKA_SR[20]) is set. |
| Bit 19 | RAMERRIE : RAM error interrupt enable <ul style="list-style-type: none"> 0: Interrupt is disabled 1: An interrupt is generated when RAMERRF (PKA_SR[19]) is set |
| Bit 18 | Reserved, must be kept at zero |
| Bit 17 | PROCENDI : End of operation interrupt enable <ul style="list-style-type: none"> 0: Interrupt is disabled 1: An interrupt is generated when PROCENDF (PKA_SR[17]) is set |
| Bit 16:14 | Reserved, must be kept at zero |
| Bit 13:8 | MODE [5:0] : PKA operation code <ul style="list-style-type: none"> 000000: Compute Montgomery parameter and modular exponentiation 000001: Compute Montgomery parameter 000010: Compute modular exponentiation only (Montgomery parameter should be loaded) 100000: Compute Montgomery parameter and compute ECC kP operation 100010: Compute the ECC kP primitive only (Montgomery parameter should be loaded) 100100: ECDSA sign 100110: ECDSA Verification 101000: Point check 000111 : RSA CRT exponentiation 001000: Modular inversion 001001: Arithmetic addition 001010 : Arithmetic subtraction 001011: Arithmetic multiplication 001100: Comparison 001101 : Modular reduction 001110: Modular addition 001111: Modular subtraction 010000 : Montgomery multiplication |

| | |
|---------|--|
| Bit 7:3 | Reserved, must be kept at zero |
| Bit 2 | SECLVL : Security enable <ul style="list-style-type: none">0: No side channel countermeasure1: Square and multiply always / double and add always |
| Bit 1 | START : start the operation Writing '1' to this bit starts the operation which is selected by MODE[5:0], using the operands and data already written to the PKA RAM. This bit is always read as '0'. Note: START is ignored if PKA is busy. |
| Bit 0 | EN : peripheral enable <ul style="list-style-type: none">0: Disable PKA1: Enable PKA |

13.6.2 PKA status register (PKA_SR)

Address offset: 0x04

Reset value: 0x0000 0000

| | | | | | | | | | | | | | | | |
|------|------|------|------|------|------|------|------|------|------|------|-----------|----------|------|-----------|------|
| 31 | 30 | 29 | 28 | 27 | 26 | 25 | 24 | 23 | 22 | 21 | 20 | 19 | 18 | 17 | 16 |
| Res. | Res. | Res. | Res. | Res. | Res. | Res. | Res. | Res. | Res. | Res. | ADDR ERRF | RAM ERRF | Res. | PROC ENDF | BUSY |
| | | | | | | | | | | | r | r | | r | r |
| 15 | 14 | 13 | 12 | 11 | 10 | 9 | 8 | 7 | 6 | 5 | 4 | 3 | 2 | 1 | 0 |
| Res. | Res. | Res. | Res. | Res. | Res. | Res. | Res. | Res. | Res. | Res. | Res. | Res. | Res. | Res. | Res. |

| | |
|------------|--|
| Bits 31:21 | Reserved, must be kept at zero |
| Bit 20 | ADDRERRF : Address error flag <ul style="list-style-type: none"> • 0: No Address error • 1: Address access is out of range (unmapped address) |
| Bit 19 | RAMERRF : PKA RAM error flag <ul style="list-style-type: none"> • 0: No PKA RAM access error • 1: An AHB access to the PKA RAM occurred while the PKA core was computing and using its internal RAM (AHB PKA_RAM access are not allowed while PKA operation is in progress) |
| Bit 18 | Reserved, must be kept at zero |
| Bit 17 | PROCENDF : PKA end of operation flag <ul style="list-style-type: none"> • 0: operation in progress • 1: PKA operation is completed. This flag is set when the BUSY bit is de-asserted. |
| Bit 16 | BUSY : PKA operation is in progress This bit is set to '1' whenever START bit in the PKA_CR is set. It is automatically cleared when the computation is complete, meaning that PKA RAM can be safely accessed and a new operation can be started. <ul style="list-style-type: none"> • 0: No operation is in progress (default) • 1: An operation is in progress Note: if PKA is started with a wrong opcode the IP is busy for a couple of cycles then it aborts automatically the operation and goes back to ready (BUSY bit is set to '0'). |
| Bit 15 | Reserved, must be kept zero |

13.6.3 PKA clear flag register (PKA_CLRFR)

Address offset: 0x08

Reset value: 0x0000 0000

| | | | | | | | | | | | | | | | |
|------|------|------|------|------|------|------|------|------|------|------|-----------|----------|------|-----------|------|
| 31 | 30 | 29 | 28 | 27 | 26 | 25 | 24 | 23 | 22 | 21 | 20 | 19 | 18 | 17 | 16 |
| Res. | Res. | Res. | Res. | Res. | Res. | Res. | Res. | Res. | Res. | Res. | ADDRERRFC | RAMERRFC | Res. | PROCENDFC | Res. |
| | | | | | | | | | | | w_r0 | w_r0r | | w_r0 | |
| 15 | 14 | 13 | 12 | 11 | 10 | 9 | 8 | 7 | 6 | 5 | 4 | 3 | 2 | 1 | 0 |
| Res. | Res. | Res. | Res. | Res. | Res. | Res. | Res. | Res. | Res. | Res. | Res. | Res. | Res. | Res. | Res. |

| | |
|------------|--|
| Bits 31:21 | Reserved, must be kept at zero |
| Bit 20 | ADDRERRFC : Clear address error flag <ul style="list-style-type: none"> 0: No action 1: Clear the address flag |
| Bit 19 | RAMERRFC : Clear PKA RAM error flag <ul style="list-style-type: none"> 0: No action 1: Clear the RAMERRF flag |
| Bit 18 | Reserved, must be kept at zero |
| Bit 17 | PROCENDFC : Clear PKA end of operation flag <ul style="list-style-type: none"> 0: No action 1: Clear the PROCENDFC flag |
| Bit 16:0 | Reserved, must be kept at zero Note: reading PKA_CLRFR returns all zeroes |

13.6.4 PKA RAM memory

Address offset: 0x400

The PKA_RAM is memory mapped at the offset address of 0x0400 compared to the PKA base address. Only word access (32 bits) are supported. RAM size is 3576 bytes (max. word offset: 0x11F4)

13.6.5 PKA register map

Table 74. PKA register map

| Offset | Register | 31 | 30 | 29 | 28 | 27 | 26 | 25 | 24 | 23 | 22 | 21 | 20 | 19 | 18 | 17 | 16 | 15 | 14 | 13 | 12 | 11 | 10 | 9 | 8 | 7 | 6 | 5 | 4 | 3 | 2 | 1 | 0 |
|--------|-------------|------|------|------|------|------|------|------|------|------|------|------|-----------|----------|------|-----------|------|------|------|-------------|------|------|------|------|------|------|------|------|------|-------|-------|------|------|
| 0x0000 | PKA_CR | Res. | Res. | Res. | Res. | Res. | Res. | Res. | Res. | Res. | Res. | Res. | ADDRERRIE | RAMERRIE | Res. | PROCENDIE | Res. | Res. | Res. | MODE[5 : 0] | | | | | Res. | Res. | Res. | Res. | Res. | SCLVL | START | EN | |
| | Reset value | 0 | 0 | 0 | 0 | 0 | 0 | 0 | 0 | 0 | 0 | 0 | 0 | 0 | 0 | 0 | 0 | 0 | 0 | 0 | 0 | 0 | 0 | 0 | 0 | 0 | 0 | 0 | 0 | 0 | 0 | 0 | 0 |
| 0x0004 | PKA_SR | Res. | Res. | Res. | Res. | Res. | Res. | Res. | Res. | Res. | Res. | Res. | ADDRERRF | RAMERRF | Res. | PROCENDF | BUSY | Res. | Res. | Res. | Res. | Res. | Res. | Res. | Res. | Res. | Res. | Res. | Res. | Res. | Res. | Res. | Res. |
| | Reset value | 0 | 0 | 0 | 0 | 0 | 0 | 0 | 0 | 0 | 0 | 0 | 0 | 0 | 0 | 0 | 0 | 0 | 0 | 0 | 0 | 0 | 0 | 0 | 0 | 0 | 0 | 0 | 0 | 0 | 0 | 0 | 0 |
| 0x0008 | PKA_CLRFR | Res. | Res. | Res. | Res. | Res. | Res. | Res. | Res. | Res. | Res. | Res. | ADDRERRFC | RAMERRFC | Res. | PROCENDFC | Res. | Res. | Res. | Res. | Res. | Res. | Res. | Res. | Res. | Res. | Res. | Res. | Res. | Res. | Res. | Res. | Res. |
| | Reset value | 0 | 0 | 0 | 0 | 0 | 0 | 0 | 0 | 0 | 0 | 0 | 0 | 0 | 0 | 0 | 0 | 0 | 0 | 0 | 0 | 0 | 0 | 0 | 0 | 0 | 0 | 0 | 0 | 0 | 0 | 0 | 0 |

14 Random number generator (RNG)

The RNG is a random number generator based on a continuous analog noise that provides a 16-bit value to the host when read.

14.1 Features

- AHB slave peripheral
- Deliver 16-bit random number produced by an analog generator
- Minimum period of 1.25 μ s (corresponding to 20 RNGCLK cycles) between two consecutive random numbers. This is automatically managed by a pulling spacer counter that adds wait-state on the AHB bus when reading occurs too closely to the previous one
- Monitoring of the entropy of the RNG to flag abnormal behavior (generation of stable values or stable sequence of values)
- 2 clock domains:
 - RNGCLK: 16 MHz for the normalization and shifter (specific serial to 16-bit parallel conversion)
 - HCLK: AHB clock (16 MHz, 32 MHz or 64 MHz) for the AHB interface
- Can be disabled to reduce power consumption.

Power consumption and RNG

The internal free-running oscillators are quite power consuming. It is possible to stop them when the RNG is not used

- After a PORESETn, the internal free-running oscillators are stopped by default to limit consumption
- When the RNG clock tree is enabled through the RCC after a PORESETn, the oscillators are automatically restarted
- If the SW enables the RNG clock tree through the RCC, it does not stop the internal oscillator. The SW has to first set the RNG_CR[2] = RNG_DIS to stop them.
- On the other side, the SW has to restart them by clearing the RNG_DIS bit once the RNG clock tree is re-enabled.

14.2 RNG registers

Refer to Memory map and register boundary addresses for the register boundary addresses.

Note: Despite RNG registers being addressed through the AHB, only 32-bit accesses are allowed. Any 8-bit or 16-bit access generates an AHB error leading to a hard fault on Cortex-M0+.

14.2.1 RNG configuration register (RNG_CR)

Address offset: 0x00

Reset value: 0x0000

This register configures the RNG.

| | | | | | | | | | | | | | | | |
|------|------|------|------|------|------|------|------|------|------|------|------|---------|---------|------|------|
| 31 | 30 | 29 | 28 | 27 | 26 | 25 | 24 | 23 | 22 | 21 | 20 | 19 | 18 | 17 | 16 |
| Res. | Res. | Res. | Res. | Res. | Res. | Res. | Res. | Res. | Res. | Res. | Res. | Res. | Res. | Res. | Res. |
| 15 | 14 | 13 | 12 | 11 | 10 | 9 | 8 | 7 | 6 | 5 | 4 | 3 | 2 | 1 | 0 |
| Res. | Res. | Res. | Res. | Res. | Res. | Res. | Res. | Res. | Res. | Res. | Res. | TST_CLK | RNG_DIS | Res. | Res. |
| | | | | | | | | | | | | rw | rw | | |

| | |
|-----------|---|
| Bits 31:4 | Reserved, must be kept at reset value. |
| Bit 3 | <p>TST_CLK: RNG test clock bit.</p> <p>Writing this bit with 1b starts the logic that detects the presence of the RNG_CLK.</p> <p>Then wait (with a timeout of at least four RNGCLK cycles) for REVCLK = 1b in the RNG_SR register. If REVCLK = 0b after timeout elapsed, it means that RNGCLK is not present and reading RNG_VAL register triggers an AHB error response.</p> <p>For security reasons, software should check that the RNGCLK is present before reading random values.</p> <p>This bit is auto-cleared and always read as 0.</p> |
| Bit 2 | <p>RNG_DIS: RNG disable bit.</p> <p>This bit enables or disables the random number generator.</p> <ul style="list-style-type: none"> 0: RNG is enabled (default) 1: RNG is disabled. The internal free-running oscillators are put in power-down mode and the RNG clock is stopped at the input of the block. |
| Bits 1:0 | Reserved, must be kept at reset value. |

14.2.2 RNG status flag register (RNG_SR)

Address offset: 0x04

Reset value: 0x0000

This register provides status flags of the RNG.

| | | | | | | | | | | | | | | | |
|------|------|------|------|------|------|------|------|------|------|------|------|------|-------|--------|--------|
| 31 | 30 | 29 | 28 | 27 | 26 | 25 | 24 | 23 | 22 | 21 | 20 | 19 | 18 | 17 | 16 |
| Res. | Res. | Res. | Res. | Res. | Res. | Res. | Res. | Res. | Res. | Res. | Res. | Res. | Res. | Res. | Res. |
| 15 | 14 | 13 | 12 | 11 | 10 | 9 | 8 | 7 | 6 | 5 | 4 | 3 | 2 | 1 | 0 |
| Res. | Res. | Res. | Res. | Res. | Res. | Res. | Res. | Res. | Res. | Res. | Res. | Res. | FAULT | REVCLK | RNGRDY |
| | | | | | | | | | | | | | rc_w1 | r | r |

| | |
|-----------|--|
| Bits 31:3 | Reserved, must be kept at reset value. |
| Bit 2 | FAULT: Fault reveal bit. This bit is set by hardware when a faulty sequence of bits occurs. The faulty sequences are: <ul style="list-style-type: none"> Sequence of more than 32 consecutive bits of samevalue (0b or 1b) Sequence of more than 16 consecutive alternation of 0band 1b (010101...01b). Writing this bit with 1b clears it. Writing with 0b has no effect. |
| Bit 1 | REVCLK: RNGCLK clock reveal bit. A write with 1b to bit TSTCLK in RNG_CR resets this bit. If the RNGCLK is present, this bit is 1b after four RNGCLK cycles after the end of the write to RNG_CR. If REVCLK = 0b after this period, it means the RNGCLK is not present and reading RNG_VAL triggers an AHB error response. |
| Bit 0 | RNGRDY: New random value ready. <ul style="list-style-type: none"> 0: The RNG_VAL register value is not yet valid. If performing a read access to RNG_VAL, the host is on hold (by wait-states insertion on the AHB bus) until a random value is available. 1: The RNG_VAL register contains a valid random number. This bit remains at 0b when the RNG is disabled (RNGDIS bit = 1b in RNG_CR) |

14.2.3 RNG value register (RNG_VAL)

Address offset: 0x08

Reset value: 0xFFFF

This register delivers a 16-bit random value when read. After being read, this register delivers a new random value only after 20 cycles of RNGCLK. If the host performs a new read before the period has elapsed, the RNG inserts a wait-state on the AHB bus.

| | | | | | | | | | | | | | | | |
|--------------|------|------|------|------|------|------|------|------|------|------|------|------|------|------|------|
| 31 | 30 | 29 | 28 | 27 | 26 | 25 | 24 | 23 | 22 | 21 | 20 | 19 | 18 | 17 | 16 |
| Res. | Res. | Res. | Res. | Res. | Res. | Res. | Res. | Res. | Res. | Res. | Res. | Res. | Res. | Res. | Res. |
| 15 | 14 | 13 | 12 | 11 | 10 | 9 | 8 | 7 | 6 | 5 | 4 | 3 | 2 | 1 | 0 |
| RANDOM_VALUE | | | | | | | | | | | | | | | |
| r | r | r | r | r | r | r | r | r | r | r | r | r | r | r | r |

| | |
|------------|--|
| Bits 31:16 | Reserved, must be kept at reset value. |
| Bit 15:0 | RANDOM_VALUE: Random value. |

14.2.4 RNG register map

Table 75. RNG register map and reset values

| Offset | Register | 31 | 30 | 29 | 28 | 27 | 26 | 25 | 24 | 23 | 22 | 21 | 20 | 19 | 18 | 17 | 16 | 15 | 14 | 13 | 12 | 11 | 10 | 9 | 8 | 7 | 6 | 5 | 4 | 3 | 2 | 1 | 0 | |
|--------|-------------|------|------|------|------|------|------|------|------|------|------|------|------|------|------|------|--------------|------|------|------|------|------|------|------|------|------|------|------|------|------|------|------|------|------|
| 0x0000 | RNG_CR | Res. | Res. | Res. | Res. | Res. | Res. | Res. | Res. | Res. | Res. | Res. | Res. | Res. | Res. | Res. | Res. | Res. | Res. | Res. | Res. | Res. | Res. | Res. | Res. | Res. | Res. | Res. | Res. | Res. | Res. | Res. | Res. | Res. |
| | Reset value | | | | | | | | | | | | | | | | | | | | | | | | | | | | | 0 | 0 | | | |
| 0x0004 | RNG_SR | Res. | Res. | Res. | Res. | Res. | Res. | Res. | Res. | Res. | Res. | Res. | Res. | Res. | Res. | Res. | Res. | Res. | Res. | Res. | Res. | Res. | Res. | Res. | Res. | Res. | Res. | Res. | Res. | Res. | Res. | Res. | Res. | Res. |
| | Reset value | | | | | | | | | | | | | | | | | | | | | | | | | | | | | 0 | 0 | 0 | | |
| 0x0008 | RNG_VAL | Res. | Res. | Res. | Res. | Res. | Res. | Res. | Res. | Res. | Res. | Res. | Res. | Res. | Res. | Res. | RANDOM_VALUE | | | | | | | | | | | | | | | | | |
| | Reset value | | | | | | | | | | | | | | | | X | X | X | X | X | X | X | X | X | X | X | X | X | X | X | X | X | X |

15 Cyclic redundancy check calculation unit (CRC)

15.1 Introduction

The CRC (cyclic redundancy check) calculation unit is used to get a CRC code from 8-, 16- or 32-bit data word and a generator polynomial.

Among other applications, CRC-based techniques are used to verify data transmission or storage integrity. In the purpose of the functional safety standards, they offer a means of verifying the Flash memory integrity. The CRC calculation unit helps compute a signature of the software during runtime, to be compared with a reference signature generated at link time and stored at a given memory location.

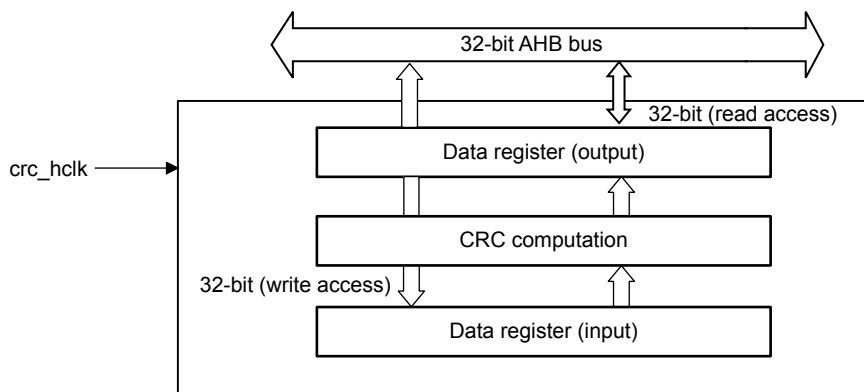
15.2 CRC main features

- Fully programmable polynomial with programmable size (7, 8, 16, 32-bits).
- Handles 8, 16, 32-bit data size
- Programmable CRC initial value
- Single input/output 32-bit data register
- Input buffer to avoid bus stall during calculation
- CRC computation done in 4 AHB clock cycles (HCLK) for the 32-bit data size
- General-purpose 8-bit register (can be used for temporary storage)
- Reversibility option on I/Odata.

15.3 CRC functional description

15.3.1 CRC block diagram

Figure 26. CRC calculation unit block diagram



15.3.2 CRC operation

The CRC calculation unit has a single 32-bit read/write data register (CRC_DR). It is used to input new data (write access), and holds the result of the previous CRC calculation (read access).

Each write operation to the data register creates a combination of the previous CRC value (stored in CRC_DR) and the new one. CRC computation is done on the whole 32-bit data word or byte-by-byte depending on the format of the data being written.

The CRC_DR register can be accessed by word, right-aligned half-word and right-aligned byte. For the other registers only 32-bit access is allowed.

The duration of the computation depends on data width:

- 4 AHB clock cycles for 32-bit
- 2 AHB clock cycles for 16-bit
- 1 AHB clock cycles for 8-bit.

An input buffer allows a second data to be immediately written without waiting for any wait states due to the previous CRC calculation.

The data size can be dynamically adjusted to minimize the number of write accesses for a given number of bytes. For instance, a CRC for 5 bytes can be computed with a word write followed by a byte write.

The input data can be reversed, to manage the various endianness schemes. The reversing operation can be performed on 8 bits, 16 bits and 32 bits depending on the REV_IN[1:0] bits in the CRC_CR register.

For example: input data 0x1A2B3C4D is used for CRC calculation as:

- 0x58D43CB2 with bit-reversal done by byte
- 0xD458B23C with bit-reversal done by half-word
- 0xB23CD458 with bit-reversal done on the full word.

The output data can also be reversed by setting the REV_OUT bit in the CRC_CR register.

The operation is done at bit level: for example, output data 0x11223344 is converted into 0x22CC4488.

The CRC calculator can be initialized to a programmable value using the RESET control bit in the CRC_CR register (the default value is 0xFFFFFFFF).

The initial CRC value can be programmed with the CRC_INIT register. The CRC_DR register is automatically initialized upon CRC_INIT register write access.

The CRC_IDR register can be used to hold a temporary value related to CRC calculation. It is not affected by the RESET bit in the CRC_CR register.

Polynomial programmability

The polynomial coefficients are fully programmable through the CRC_POL register, and the polynomial size can be configured to be 7, 8, 16 or 32 bits by programming the POLYSIZE[1:0] bits in the CRC_CR register. Even polynomials are not supported.

If the CRC data is less than 32-bit, its value can be read from the least significant bits of the CRC_DR register.

To obtain a reliable CRC calculation, the change on-the-fly of the polynomial value or size can not be performed during a CRC calculation. As a result, if a CRC calculation is on-going, the application must either reset it or perform a CRC_DR read before changing the polynomial.

The default polynomial value is the CRC-32 (Ethernet) polynomial: 0x4C11DB7.

15.4 CRC registers

15.4.1 Data register (CRC_DR)

Address offset: 0x00

Reset value: 0xFFFF FFFF

| | | | | | | | | | | | | | | | |
|-----------|----|----|----|----|----|----|----|----|----|----|----|----|----|----|----|
| 31 | 30 | 29 | 28 | 27 | 26 | 25 | 24 | 23 | 22 | 21 | 20 | 19 | 18 | 17 | 16 |
| DR[31:16] | | | | | | | | | | | | | | | |
| rw | rw | rw | rw | rw | rw | rw | rw | rw | rw | rw | rw | rw | rw | rw | rw |
| 15 | 14 | 13 | 12 | 11 | 10 | 9 | 8 | 7 | 6 | 5 | 4 | 3 | 2 | 1 | 0 |
| DR[15:0] | | | | | | | | | | | | | | | |
| | | | | | | | rw | rw | | | | | | | |

| | |
|--------------|---|
| | DR[31:0]: Data register bits |
| Bits 31:0 | This register is used to write new data to the CRC calculator. It holds the previous CRC calculation result when it is read. If the data size is less than 32 bits, the least significant bits are used to write/read the correct value. |

15.4.2 Independent data register (CRC_IDR)

Address offset: 0x04

Reset value: 0x0000 0000

| | | | | | | | | | | | | | | | |
|------------|----|----|----|----|----|----|----|----|----|----|----|----|----|----|----|
| 31 | 30 | 29 | 28 | 27 | 26 | 25 | 24 | 23 | 22 | 21 | 20 | 19 | 18 | 17 | 16 |
| IDR[31:16] | | | | | | | | | | | | | | | |
| rw | rw | rw | rw | rw | rw | rw | rw | rw | rw | rw | rw | rw | rw | rw | rw |
| 15 | 14 | 13 | 12 | 11 | 10 | 9 | 8 | 7 | 6 | 5 | 4 | 3 | 2 | 1 | 0 |
| IDR[31:16] | | | | | | | | | | | | | | | |
| rw | rw | rw | rw | rw | rw | rw | rw | rw | rw | rw | rw | rw | rw | rw | rw |

| | |
|-----------|--|
| Bits 31:0 | IDR[31:0]: This field can be used to hold a temporary value related to the CRC calculation. It is not affected by the RESET bit in the CRC_CR register. |
|-----------|--|

15.4.3 Control register (CRC_CR)

Address offset: 0x08

Reset value: 0x0000 0000

| | | | | | | | | | | | | | | | |
|------|------|------|------|------|------|------|------|---------|-------------|---------------|------|------|-------|------|------|
| 31 | 30 | 29 | 28 | 27 | 26 | 25 | 24 | 23 | 22 | 21 | 20 | 19 | 18 | 17 | 16 |
| Res. | Res. | Res. | Res. | Res. | Res. | Res. | Res. | Res. | Res. | Res. | Res. | Res. | Res. | Res. | Res. |
| 15 | 14 | 13 | 12 | 11 | 10 | 9 | 8 | 7 | 6 | 5 | 4 | 3 | 2 | 1 | 0 |
| | | | | | | | | REV_OUT | REV_IN[1:0] | POLYSIZE[1:0] | Res. | Res. | RESET | | |
| | | | | | | | | rw | rw | rw | rw | rw | | | rw |

| | |
|-----------|---|
| Bits 31:8 | Reserved, must be kept cleared. |
| Bit 7 | REV_OUT : Reverse output data This bit controls the reversal of the bit order of the output data. 0: Bit order not affected 1: Bit-reversed output format |
| Bits 6:5 | REV_IN[1:0] : Reverse input data. These bits control the reversal of the bit order of the input data. 00: Bit order not affected 01: Bit reversal done by byte 10: Bit reversal done by half-word 11: Bit reversal done by word |
| Bits 4:3 | POLYSIZE[1:0] : Polynomial size. These bits control the size of the polynomial. 00: 32-bit polynomial 01: 16-bit polynomial 10: 8-bit polynomial 11: 7-bit polynomial |
| Bits 2:1 | Reserved, must be kept cleared. |
| Bit 0 | RESET : RESET bit This bit is set by software to reset the CRC calculation unit and set the data register to the value stored in the CRC_INIT register. This bit can only be set, it is automatically cleared by hardware. |

15.4.4 Initial CRC value (CRC_INIT)

Address offset: 0x10

Reset value: 0xFFFF FFFF

| | | | | | | | | | | | | | | | |
|-----------------|----|----|----|----|----|----|----|----|----|----|----|----|----|----|----|
| 31 | 30 | 29 | 28 | 27 | 26 | 25 | 24 | 23 | 22 | 21 | 20 | 19 | 18 | 17 | 16 |
| CRC_INIT[31:16] | | | | | | | | | | | | | | | |
| | | | | | | | | rw | | | | | | | |
| 15 | 14 | 13 | 12 | 11 | 10 | 9 | 8 | 7 | 6 | 5 | 4 | 3 | 2 | 1 | 0 |
| CRC_INIT[15:0] | | | | | | | | | | | | | | | |
| rw | rw | rw | rw | rw | rw | rw | rw | rw | rw | rw | rw | rw | rw | rw | rw |

| | |
|-----------|---|
| Bits 31:0 | CRC_INIT : Programmable initial CRC value. This register is used to write the CRC initial value. |
|-----------|---|

15.4.5 CRC polynomial (CRC_POL)

Address offset: 0x14

Reset value: 0x04C11DB7

| | | | | | | | | | | | | | | | |
|------------|----|----|----|----|----|----|----|----|----|----|----|----|----|----|----|
| 31 | 30 | 29 | 28 | 27 | 26 | 25 | 24 | 23 | 22 | 21 | 20 | 19 | 18 | 17 | 16 |
| POL[31:16] | | | | | | | | | | | | | | | |
| | | | | | | | | rw | | | | | | | |
| 15 | 14 | 13 | 12 | 11 | 10 | 9 | 8 | 7 | 6 | 5 | 4 | 3 | 2 | 1 | 0 |
| POL[15:0] | | | | | | | | | | | | | | | |
| rw | rw | rw | rw | rw | rw | rw | rw | rw | rw | rw | rw | rw | rw | rw | rw |

| | |
|-----------|--|
| Bits 31:0 | POL[31:0]: CRC polynomial coefficients. This allows programming of the polynomial coefficients. |
|-----------|--|

15.4.6 CRC register map

Table 76. CRC register map and resetvalues

| Offset | Register | 31 | 30 | 29 | 28 | 27 | 26 | 25 | 24 | 23 | 22 | 21 | 20 | 19 | 18 | 17 | 16 | 15 | 14 | 13 | 12 | 11 | 10 | 9 | 8 | 7 | 6 | 5 | 4 | 3 | 2 | 1 | 0 |
|--------|-------------|----------------|------|------|------|------|------|------|------|------|------|------|------|------|------|------|------|------|------|------|------|------|------|------|------|------|---------|-------------|---------------|------|------|-------|---|
| 0x00 | CRC_DR | DR[31:0] | | | | | | | | | | | | | | | | | | | | | | | | | | | | | | | |
| | Reset value | 1 | 1 | 1 | 1 | 1 | 1 | 1 | 1 | 1 | 1 | 1 | 1 | 1 | 1 | 1 | 1 | 1 | 1 | 1 | 1 | 1 | 1 | 1 | 1 | 1 | 1 | 1 | 1 | 1 | 1 | 1 | 1 |
| 0x04 | CRC_IDR | IDR[31:0] | | | | | | | | | | | | | | | | | | | | | | | | | | | | | | | |
| | Reset value | 0 | 0 | 0 | 0 | 0 | 0 | 0 | 0 | 0 | 0 | 0 | 0 | 0 | 0 | 0 | 0 | 0 | 0 | 0 | 0 | 0 | 0 | 0 | 0 | 0 | 0 | 0 | 0 | 0 | 0 | 0 | 0 |
| 0x08 | CRC_CR | Res. | Res. | Res. | Res. | Res. | Res. | Res. | Res. | Res. | Res. | Res. | Res. | Res. | Res. | Res. | Res. | Res. | Res. | Res. | Res. | Res. | Res. | Res. | Res. | Res. | REV_OUT | REV_IN[1:0] | POLYSIZE[1:0] | Res. | Res. | RESET | |
| | Reset value | | | | | | | | | | | | | | | | | | | | | | | | | 0 | 0 | 0 | | | | 0 | |
| 0x10 | CRC_INIT | CRC_INIT[31:0] | | | | | | | | | | | | | | | | | | | | | | | | | | | | | | | |
| | Reset value | 1 | 1 | 1 | 1 | 1 | 1 | 1 | 1 | 1 | 1 | 1 | 1 | 1 | 1 | 1 | 1 | 1 | 1 | 1 | 1 | 1 | 1 | 1 | 1 | 1 | 1 | 1 | 1 | 1 | 1 | 1 | 1 |
| 0x14 | CRC_POL | POL[31:0] | | | | | | | | | | | | | | | | | | | | | | | | | | | | | | | |
| | Reset value | 0 | 0 | 0 | 0 | 0 | 1 | 0 | 0 | 1 | 1 | 0 | 0 | 0 | 0 | 0 | 1 | 0 | 0 | 0 | 0 | 1 | 1 | 1 | 0 | 1 | 1 | 0 | 1 | 1 | 0 | 1 | 1 |

Refer to [Section 2.2.2: Memory map and register boundary addresses](#) for the register boundary addresses.

16 General purpose timer (TIM2)

In this section, “TIMx” should be understood as “TIM2” since there is only one instance of this timer in the STM32WB05xZ device.

16.1 TIM2 introduction

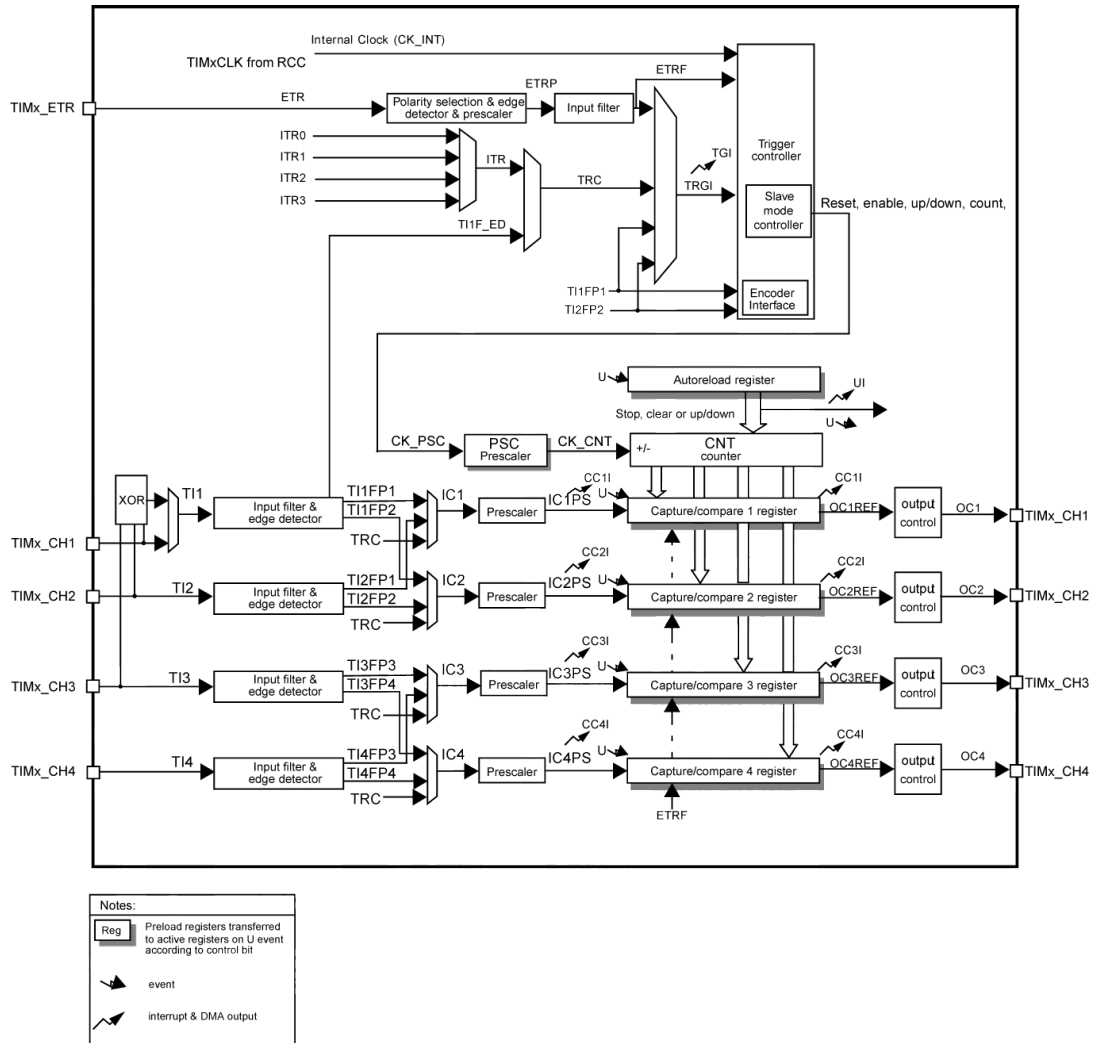
The general purpose timers (TIM2) consist of a 16-bit auto-reload counter driven by a programmable prescaler. It may be used for a variety of purposes, including measuring the pulse lengths of input signals (input capture) or generating output waveforms (output compare, PWM, complementary PWM with deadtime insertion).

Pulse lengths and waveform periods can be modulated from a few microseconds to several milliseconds using the timer prescaler on the timer input clock which is at 32 MHz.

16.2 TIM2 main features

TIM2 timer features include:

- 16-bit up, down, up/down auto-reload counter
- 16-bit programmable prescaler allowing dividing (also “on-the-fly”) the counter clock frequency either by any factor between 1 and 65536
- Up to 4 independent channels for:
 - Input capture
 - Output compare
 - PWM generation (edge and center-aligned mode)
 - One-pulse mode output
- Repetition counter to update the timer registers only after a given number of cycles of the counter
- Interrupt/DMA generation on the following events:
 - Update: counter overflow/underflow, counter initialization (by software or internal/external trigger)
 - Trigger event (counter start, stop, initialization or count by internal/external trigger)(only interrupt)
 - Input capture
 - Output compare
- Supports incremental (quadrature) encoder for positioning purposes
- Trigger input for external clock or cycle-by-cycle current management.

Figure 27. Advanced-control timer block diagram


16.3 TIM2 functional description

16.3.1 Time-base unit

The main block of the programmable general purpose timer is a 16-bit counter with its related auto-reload register. The counter can count up, down or both up and down. The counter clock can be divided by a prescaler.

The counter, the auto-reload register and the prescaler register can be written or read by software. This is true even when the counter is running.

The time-base unit includes:

- Counter register(TIMx_CNT)
- Prescaler register(TIMx_PSC)
- Auto-reload register(TIMx_ARR)
- Repetition counter register(TIMx_RCR)

The auto-reload register is preloaded. Writing to or reading from the auto-reload register accesses the preload register. The contents of the preload register are transferred into the shadow register permanently or at each update event (UEV), depending on the auto-reload preload enable bit (ARPE) in TIMx_CR1 register. The update event is sent when the counter reaches the overflow (or underflow when down-counting) and if the UDIS bit equals 0 in the TIMx_CR1 register. It can also be generated by software. The generation of the update event is described in detail for each configuration.

The counter is clocked by the prescaler output CK_CNT, which is enabled only when the counter enable bit (CEN) in TIMx_CR1 register is set (refer also to the slave mode controller description to get more details on counter enabling).

Note that the counter starts counting 1 clock cycle after setting the CEN bit in the TIMx_CR1 register.

Prescaler description

The prescaler can divide the counter clock frequency by any factor between 1 and 65536. It is based on a 16-bit counter controlled through a 16-bit register (in the TIMx_PSC register). It can be changed on-the-fly as this control register is buffered. The new prescaler ratio is taken into account at the next update event.

Figure 28. Counter timing diagram with prescaler division change from 1 to 2 and Figure 29. Counter timing diagram with prescaler division change from 1 to 4 give some examples of the counter behavior when the prescaler ratio is changed on-the-fly

Figure 28. Counter timing diagram with prescaler division change from 1 to 2

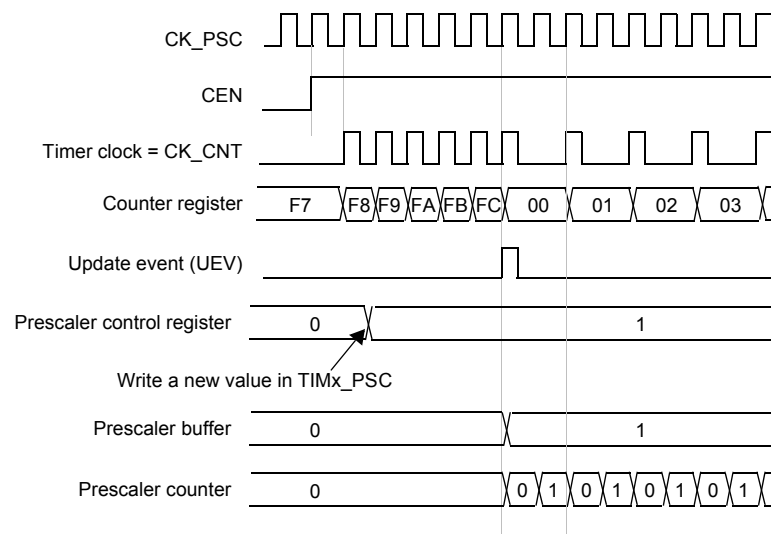
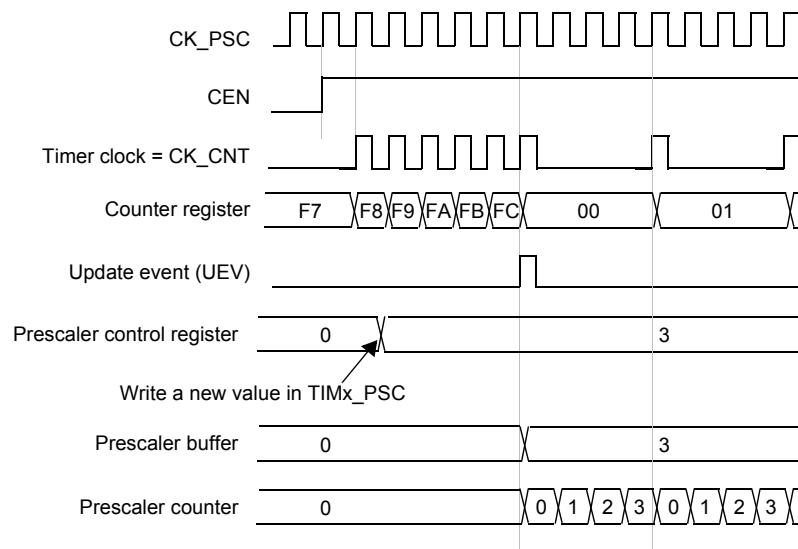


Figure 29. Counter timing diagram with prescaler division change from 1 to 4



16.3.2 Counter modes
Up-counting mode

In up-counting mode, the counter counts from 0 to the auto-reload value (content of the TIMx_ARR register), then restarts from 0 and generates a counter overflow event.

If the repetition counter is used, the update event (UEV) is generated after up-counting is repeated for the number of times programmed in the repetition counter register (TIMx_RCR) + 1. Otherwise, the update event is generated at each counter overflow.

Setting the UG bit in the TIMx_EGR register (by software or by using the slave mode controller) also generates an update event.

The UEV event can be disabled by software by setting the UDIS bit in the TIMx_CR1 register. This is to avoid updating the shadow registers while writing new values in the preload registers. Then no update event occurs until the UDIS bit has been written to 0. However, the counter restarts from 0, as well as the counter of the prescaler (but the prescale rate does not change). In addition, if the URS bit (update request selection) in TIMx_CR1 register is set, setting the UG bit generates an update event UEV but without setting the UIF flag (thus no interrupt is sent). This is to avoid generating both update and capture interrupts when clearing the counter on the capture event.

When an update event occurs, all the registers are updated and the update flag (UIF bit in TIMx_SR register) is set (depending on the URS bit):

- The repetition counter is reloaded with the content of TIMx_RCR register
- The auto-reload shadow register is updated with the preload value (TIMx_ARR)
- The buffer of the prescaler is reloaded with the preload value (content of the TIMx_PSC register).

The following figures show some examples of the counter behavior for different clock frequencies when TIMx_ARR=0x36.

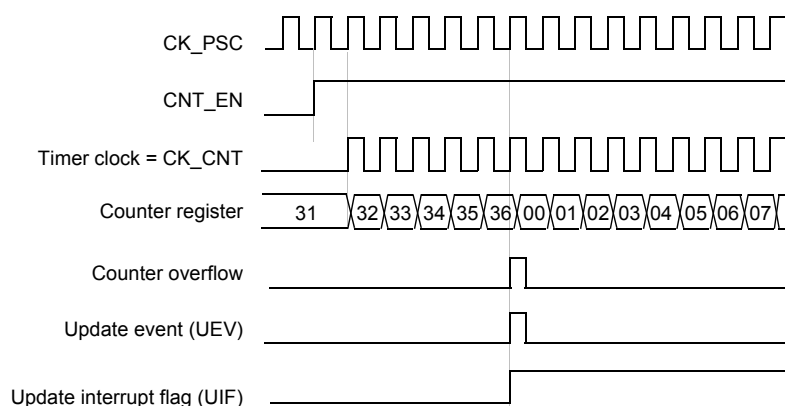
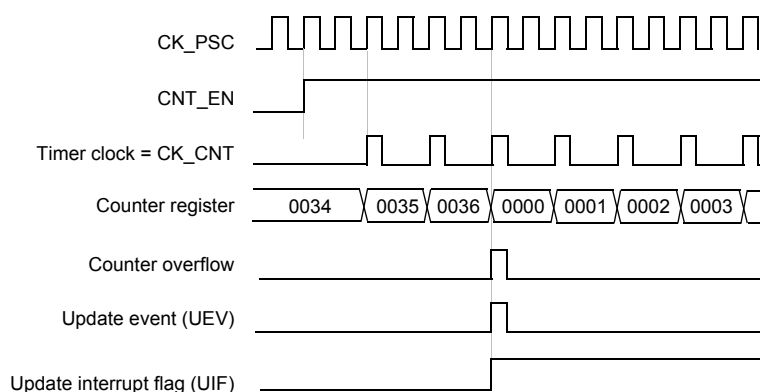
Figure 30. Counter timing diagram, internal clock divided by 1

Figure 31. Counter timing diagram, internal clock divided by 2


Figure 32. Counter timing diagram, internal clock divided by 4

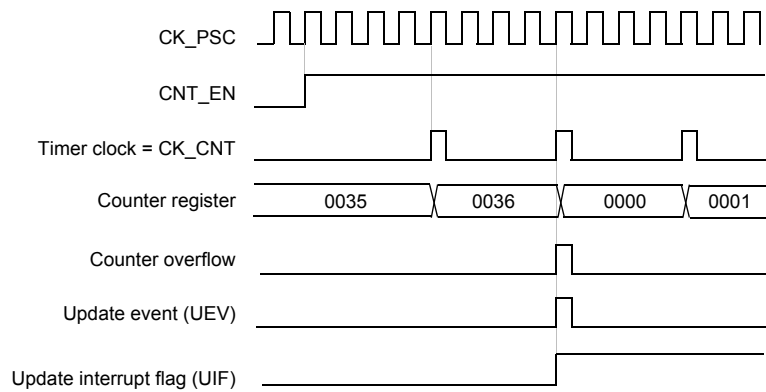


Figure 33. Counter timing diagram, internal clock divided by N

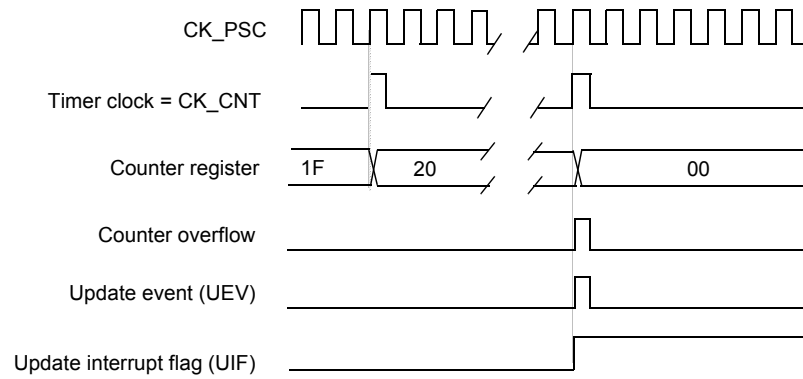


Figure 34. Counter timing diagram, update event when ARPE=0 (TIMx_ARR not preloaded)

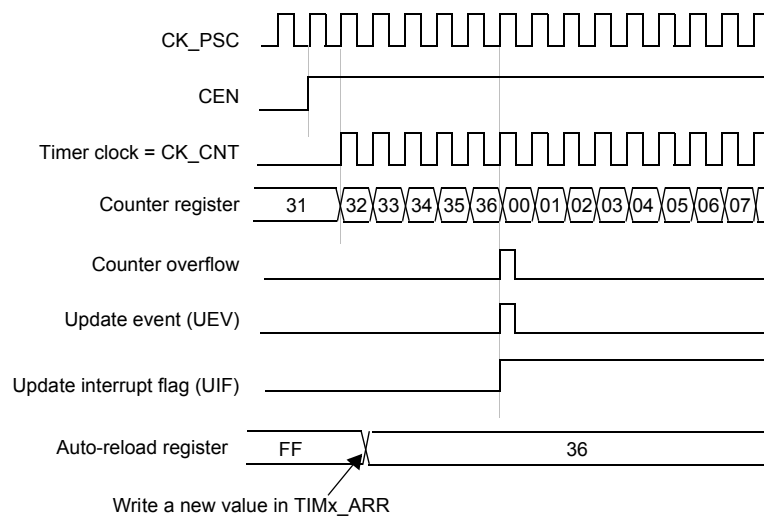
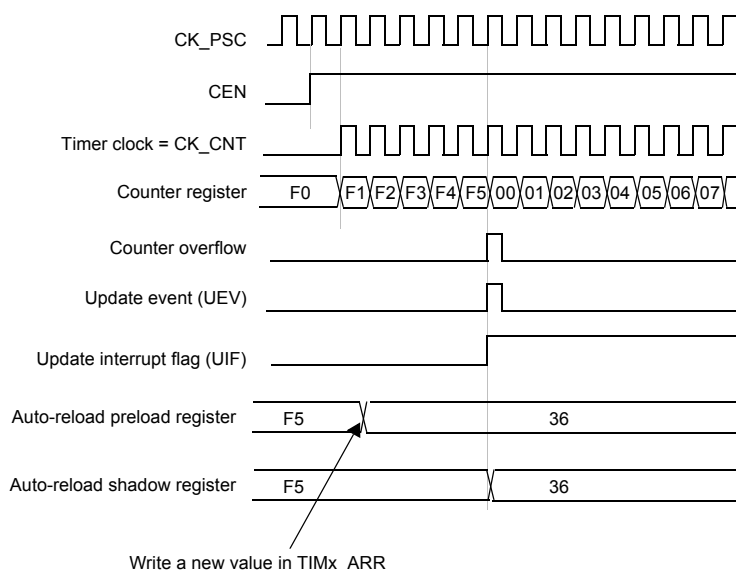


Figure 35. Counter timing diagram, update event when ARPE=1 (TIMx_ARR preloaded)


Down-counting mode

In down-counting mode, the counter counts from the auto-reload value (content of the TIMx_ARR register) down to 0, then restarts from the auto-reload value and generates a counter underflow event.

If the repetition counter is used, the update event (UEV) is generated after down-counting is repeated for the number of times programmed in the repetition counter register (TIMx_RCR) + 1. Otherwise, the update event is generated at each counter underflow.

Setting the UG bit in the TIMx_EGR register (by software or by using the slave mode controller) also generates an update event.

The UEV update event can be disabled by software by setting the UDIS bit in TIMx_CR1 register. This is to avoid updating the shadow registers while writing new values in the preload registers. Then no update event occurs until UDIS bit has been written to 0. However, the counter restarts from the current auto-reload value, whereas the counter of the prescaler restarts from 0 (but the prescale rate does not change).

In addition, if the URS bit (update request selection) in TIMx_CR1 register is set, setting the UG bit generates an update event UEV but without setting the UIF flag (thus no interrupt is sent). This is to avoid generating both update and capture interrupts when clearing the counter on the capture event.

When an update event occurs, all the registers are updated and the update flag (UIF bit in TIMx_SR register) is set (depending on the URS bit):

- The repetition counter is reloaded with the content of TIMx_RCR register
- The buffer of the prescaler is reloaded with the preload value (content of the TIMx_PSC register)
- The auto-reload active register is updated with the preload value (content of the TIMx_ARR register). Note that the auto-reload is updated before the counter is reloaded, so that the next period is the expected one.

The following figures show some examples of the counter behavior for different clock frequencies when TIMx_ARR=0x36.

Figure 36. Counter timing diagram, internal clock divided by 1

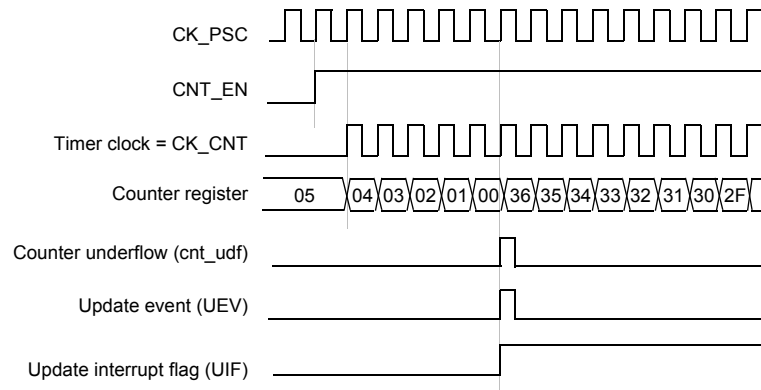


Figure 37. Counter timing diagram, internal clock divided by 2

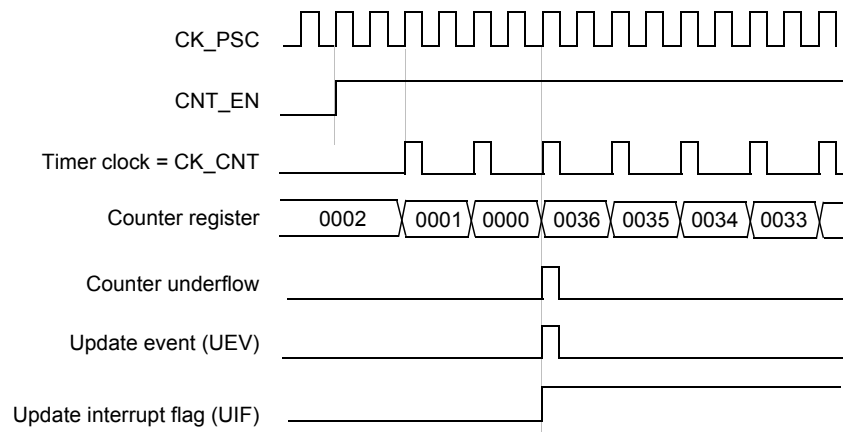


Figure 38. Counter timing diagram, internal clock divided by 4

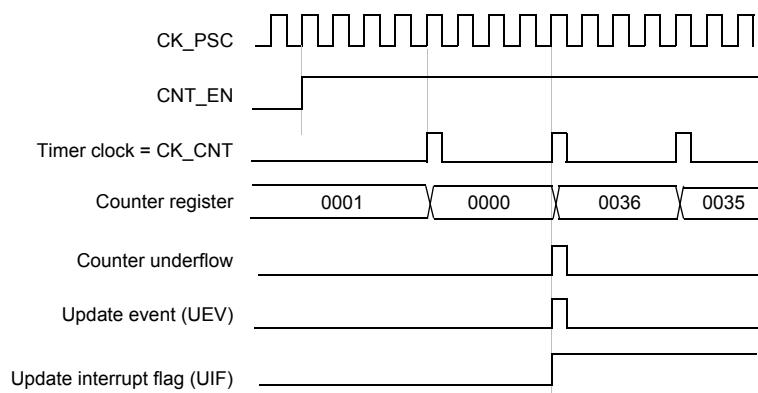
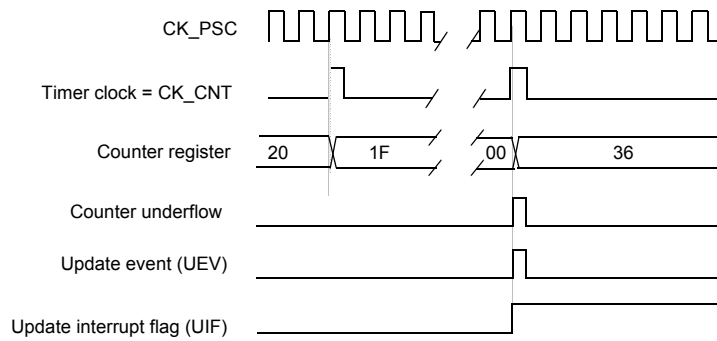
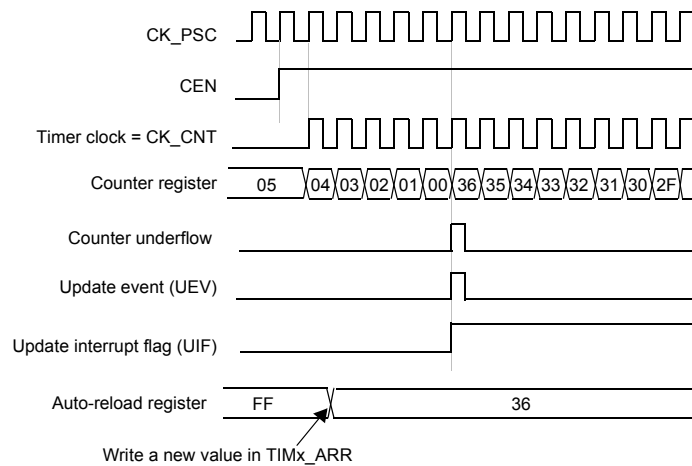


Figure 39. Counter timing diagram, internal clock divided by N

Figure 40. Counter timing diagram, update event when repetition counter is not used


Center-aligned mode (up/down-counting)

In center-aligned mode, the counter counts from 0 to the auto-reload value (content of the TIMx_ARR register) – 1, generates a counter overflow event, then counts from the auto-reload value down to 1 and generates a counter underflow event. Then it restarts counting from 0.

Center-aligned mode is active when the CMS bits in TIMx_CR1 register is not equal to '00'. The output compare interrupt flag of channels configured in output is set when: the counter counts down (Center aligned mode 1, CMS = "01"), the counter counts up (Center aligned mode 2, CMS = "10") the counter counts up and down (Center aligned mode 3, CMS = "11").

In this mode, the DIR direction bit in the TIMx_CR1 register cannot be written. It is updated by hardware and gives the current direction of the counter.

The update event can be generated at each counter overflow and at each counter underflow or by setting the UG bit in the TIMx_EGR register (by software or by using the slave mode controller) also generates an update event. In this case, the counter restarts counting from 0, as well as the counter of the prescaler.

The UEV update event can be disabled by software by setting the UDIS bit in the TIMx_CR1 register. This is to avoid updating the shadow registers while writing new values in the preload registers. Then no update event occurs until UDIS bit has been written to 0. However, the counter continues counting up and down, based on the current auto-reload value.

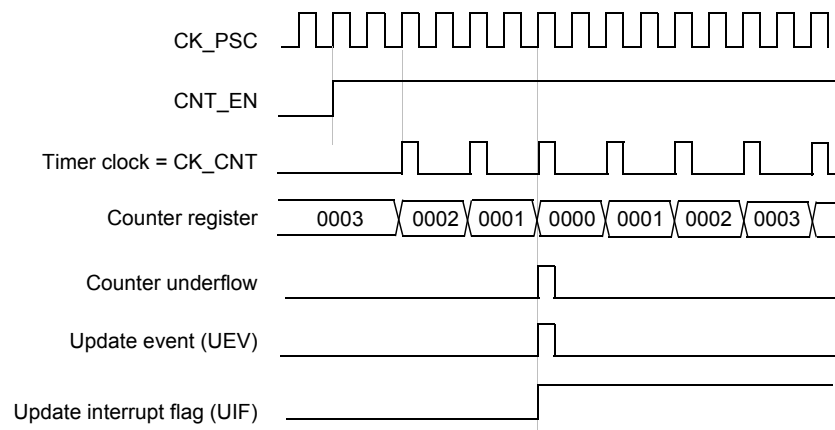
In addition, if the URS bit (update request selection) in TIMx_CR1 register is set, setting the UG bit generates a UEV update event but without setting the UIF flag (thus no interrupt is sent). This is to avoid generating both update and capture interrupts when clearing the counter on the capture event.

When an update event occurs, all the registers are updated and the update flag (UIF bit in TIMx_SR register) is set (depending on the URS bit):

- The repetition counter is reloaded with the content of TIMx_RCR register
- The buffer of the prescaler is reloaded with the preload value (content of the TIMx_PSC register)
- The auto-reload active register is updated with the preload value (content of the TIMx_ARR register). Note that if the update source is a counter overflow, the auto-reload is updated before the counter is reloaded, so that the next period is the expected one (the counter is loaded with the new value).

The following figures show some examples of the counter behavior for different clock frequencies.

Figure 41. Counter timing diagram, internal clock divided by 1, TIMx_ARR = 0x6



Note: Here, center-aligned mode 1 is used (for more details refer to [Section 16.4: TIM2 registers](#)).

Figure 42. Counter timing diagram, internal clock divided by 2

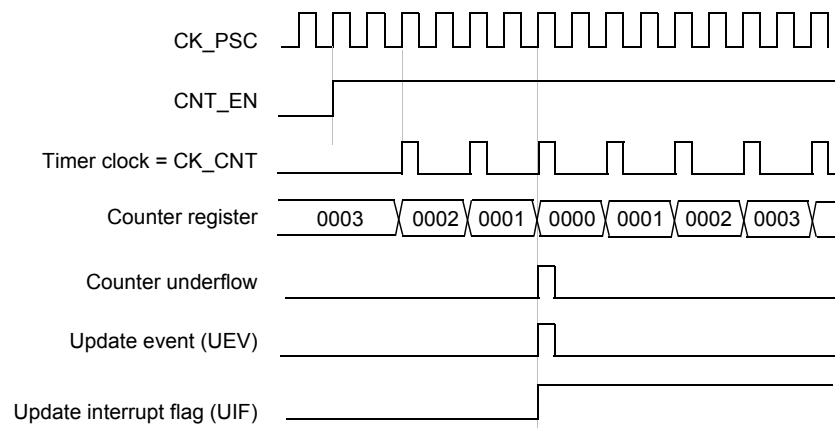


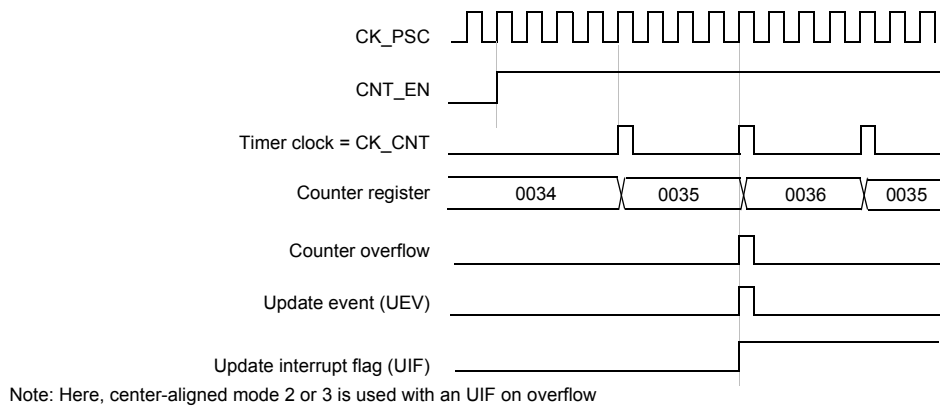
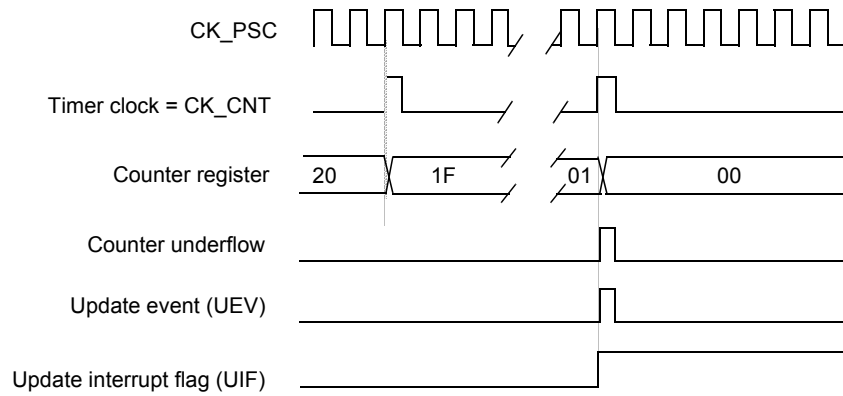
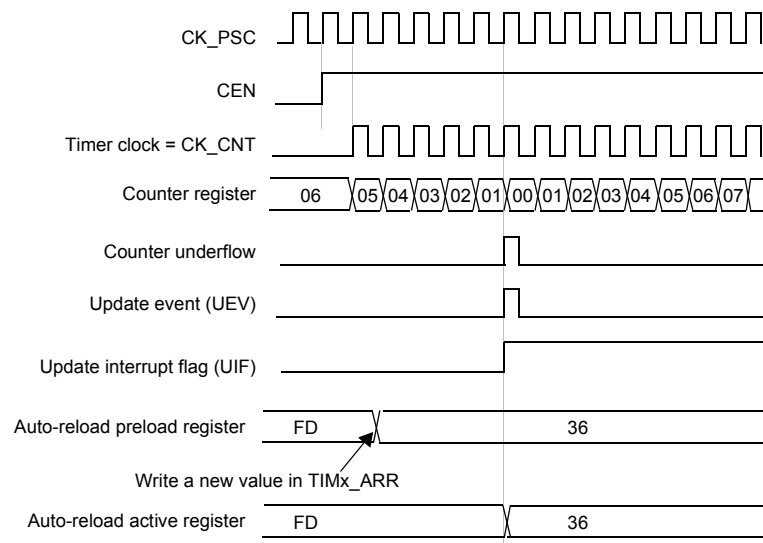
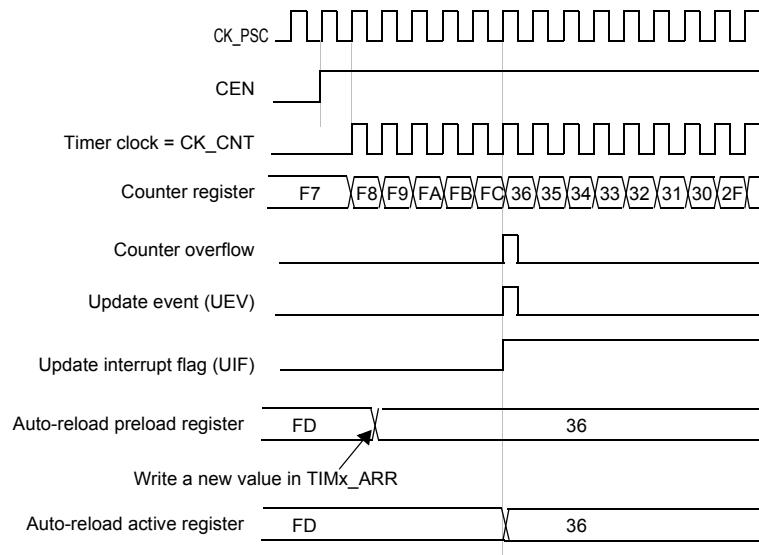
Figure 43. Counter timing diagram, internal clock divided by 4, TIMx_ARR=0x36

Figure 44. Counter timing diagram, internal clock divided by N

Figure 45. Counter timing diagram, update event with ARPE=1 (counter underflow)


Figure 46. Counter timing diagram, update event with ARPE=1 (counter overflow)



16.3.3 Repetition counter

Section 16.3.1: Time-base unit describes how the update event (UEV) is generated with respect to the counter overflows/underflows. It is actually generated only when the repetition counter has reached zero. This can be useful when generating PWM signals.

This means that data are transferred from the preload registers to the shadow registers (TIMx_ARR auto-reload register, TIMx_PSC prescaler register, but also TIMx_CCRx capture/compare registers in compare mode) every N+1 counter overflows or underflows, where N is the value in the TIMx_RCR repetition counter register.

The repetition counter is decremented:

- At each counter overflow in up-counting mode
- At each counter underflow in down-counting mode
- At each counter overflow and at each counter underflow in center-aligned mode. Although this limits the maximum number of repetition to 128 PWM cycles, it makes it possible to update the duty cycle twice per PWM period. When refreshing compare registers only once per PWM period in center-aligned mode, maximum resolution is $2xT_{ck}$, due to the symmetry of the pattern.

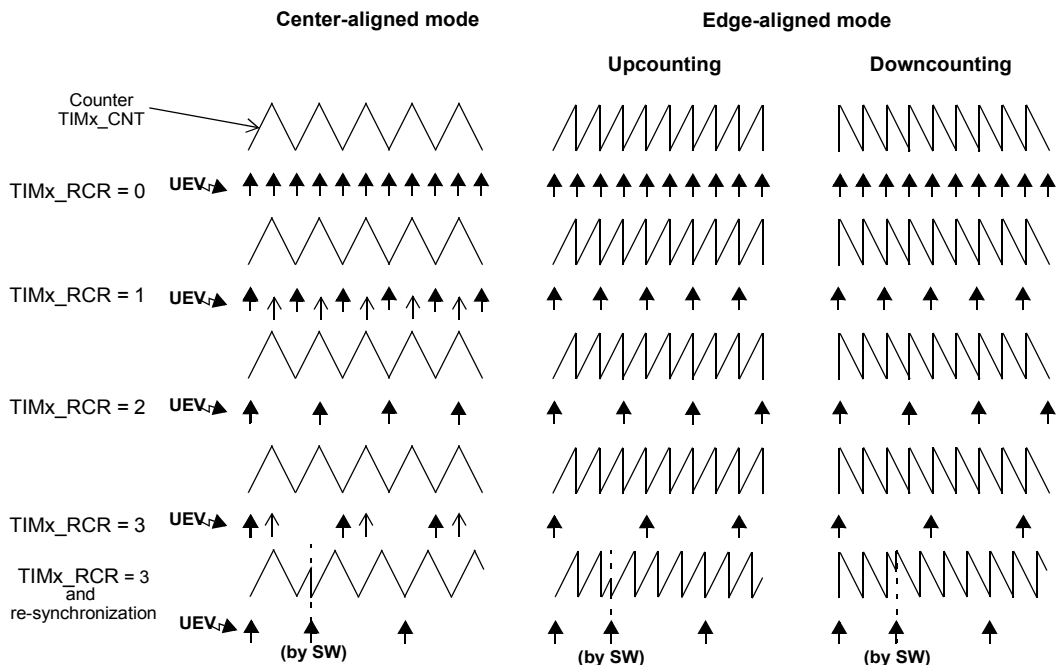
The repetition counter is an auto-reload type; the repetition rate is maintained as defined by the TIMx_RCR register value (refer to Figure 47. Update rate examples depending on mode and TIMx_RCR register settings).

When the update event is generated by software (by setting the UG bit in TIMx_EGR register) or by hardware through the slave mode controller, it occurs immediately whatever the value of the repetition counter is and the repetition counter is reloaded with the content of the TIMx_RCR register.

In center-aligned mode, for odd values of RCR, the update event occurs either on the overflow or on the underflow depending on when the RCR register was written and when the counter was launched: if the RCR was written before launching the counter, the UEV occurs on the overflow. If the RCR was written after launching the counter, the UEV occurs on the underflow.

For example, for RCR = 3, the UEV is generated each 4th overflow or underflow event depending on when the RCR was written.

Figure 47. Update rate examples depending on mode and TIMx_RCR register settings



UEV Update Event: Preload registers transferred to active registers and update interrupt generated
↑ Update Event if the repetition counter underflow occurs when the counter is equal to the auto-reload value.

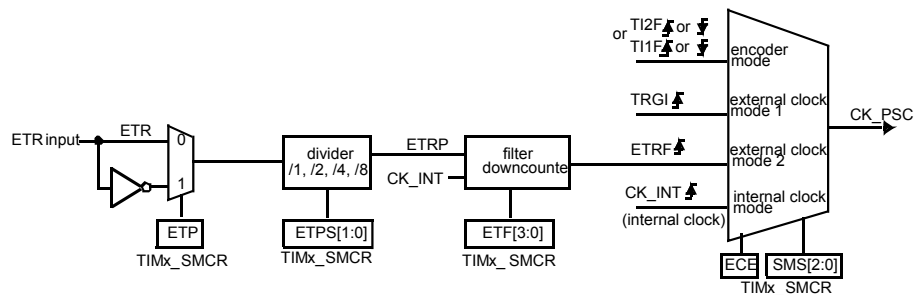
16.3.4 External trigger input

The timer features an external trigger input ETR. It can be used as:

- External clock (external clock mode 2, see Section 16.3.5: Clock selection)
- Trigger for the slave mode (see Section 16.4: TIM2 registers)
- PWM reset input for cycle-by-cycle current regulation (see Section 16.3.14: Clearing the OCxREF signal on an external event).

Figure 48. External trigger input block below describes the ETR input conditioning. The input polarity is defined with the ETP bit in TIMx_SMCR register. The trigger can be prescaled with the divider programmed by the ETPS[1:0] bit field and digitally filtered with the ETF[3:0] bit field.

Figure 48. External trigger input block



The ETR input comes from input pins (see Table 7. GPIO alternate options AF0, AF1 and AF2 modes and Table 8. GPIOs AF3, AF4 and AF6 modes).

16.3.5 Clock selection

The counter clock can be provided by the following clock sources:

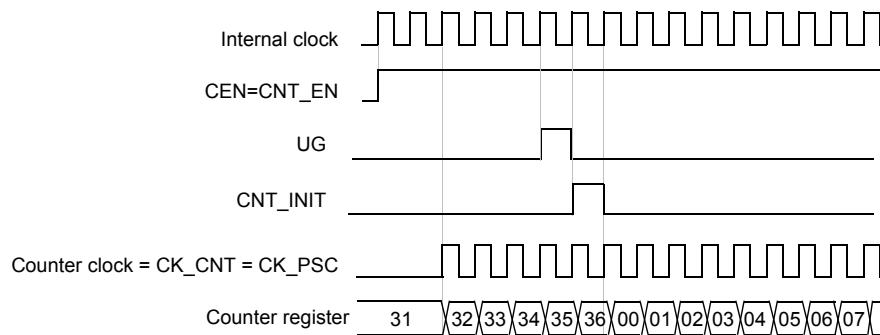
- Internal clock (CK_INT)
 - External clock mode1: external input pin
- Note: Only channel 1 and channel 2 support the external clock mode 1.
- External clock mode 2: external trigger input ETR
 - Encoder mode.

Internal clock source (CK_INT)

If the slave mode controller is disabled (SMS=000), then the CEN, DIR (in the TIMx_CR1 register) and UG bits (in the TIMx_EGR register) are actual control bits and can be changed only by software (except UG which remains cleared automatically). As soon as the CEN bit is written to 1, the prescaler is clocked by the internal clock CK_INT.

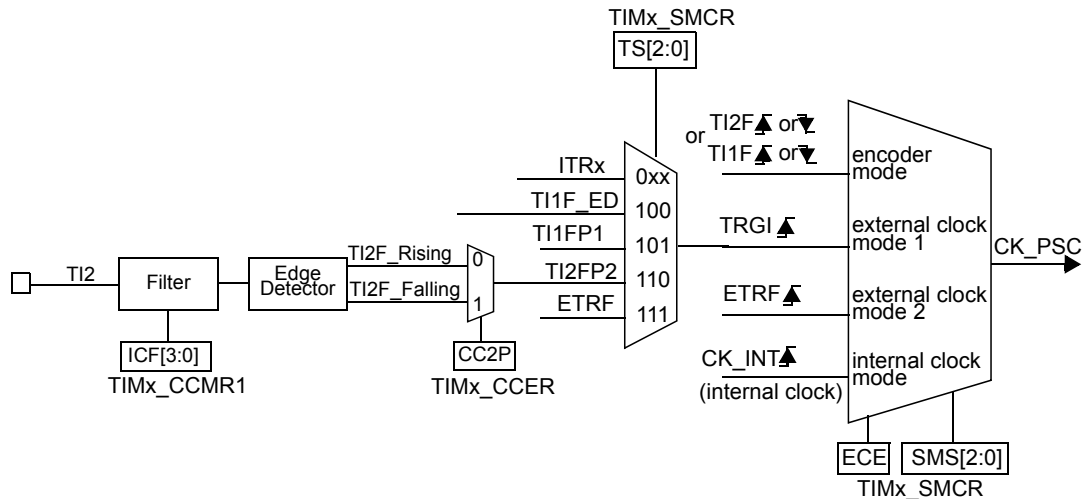
Figure 49. Control circuit in normal mode, internal clock divided by 1 shows the behavior of the control circuit and the upcounter in normal mode, without prescaler.

Figure 49. Control circuit in normal mode, internal clock divided by 1



External clock source mode 1

This mode is selected when SMS=111 in the TIMx_SMCR register. The counter can count at each rising or falling edge on a selected input.

Figure 50. TI2 external clock connection example


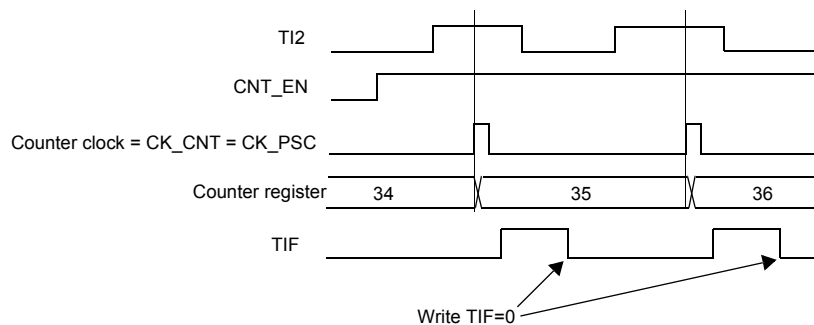
For example, to configure the upcounter to count in response to a rising edge on the TI2 input, use the following procedure:

1. Select the proper TI2x source (internal or external) with the TI2SEL[3:0] bits in the TIMx_TISEL register.
2. Configure channel 2 to detect rising edges on the TI2 input by writing CC2S = '01' in the TIMx_CCMR1 register.
3. Configure the input filter duration by writing the IC2F[3:0] bits in the TIMx_CCMR1 register (if no filter is needed, keep IC2F=0000).
4. Select rising edge polarity by writing CC2P=0 and CC2NP=0 in the TIMx_CCER register.
5. Configure the timer in external clock mode 1 by writing SMS=111 in the TIMx_SMCR register.
6. Select TI2 as the trigger input source by writing TS=110 in the TIMx_SMCR register.
7. Enable the counter by writing CEN=1 in the TIMx_CR1 register.

Note: *The capture prescaler is not used for triggering, so you do not need to configure it.*

When a rising edge occurs on TI2, the counter counts once and the TIF flag is set.

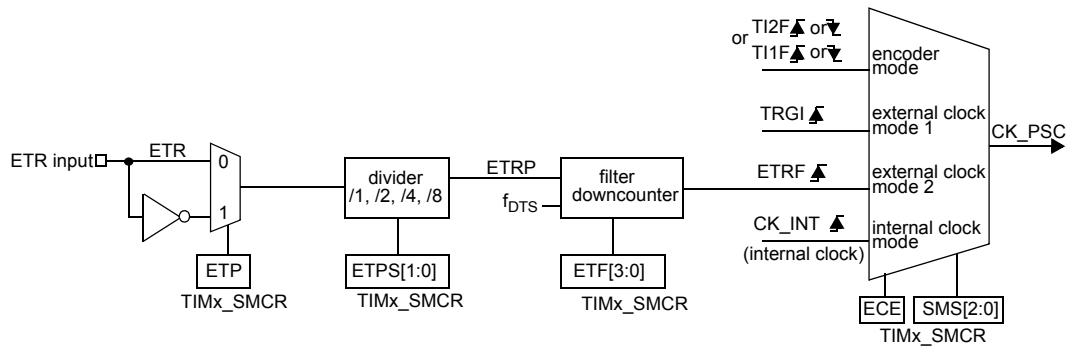
The delay between the rising edge on TI2 and the actual clock of the counter is due to the resynchronization circuit on TI2 input.

Figure 51. Control circuit in external clock mode 1

External clock source mode 2

This mode is selected by writing ECE=1 in the TIMx_SMCR register.

The counter can count at each rising or falling edge on the external trigger input ETR. Shown below in [Figure 52. External trigger input block](#).

Figure 52. External trigger input block



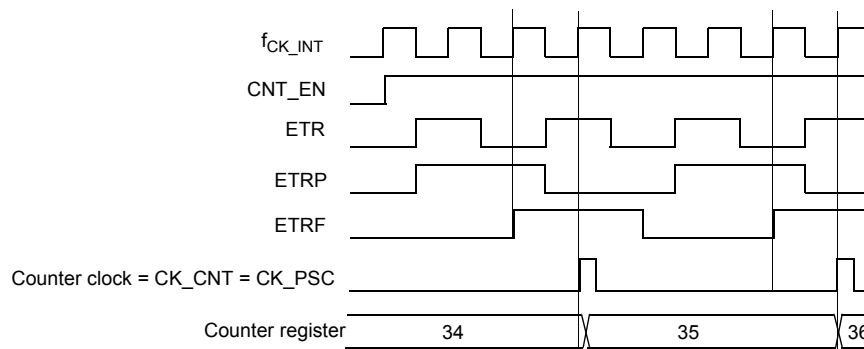
For example, to configure the upcounter to count each 2 rising edges on ETR, use the following procedure:

1. As no filter is needed in this example, write $ETF[3:0]=0000$ in the TIMx_SMCR register.
2. Set the prescaler by writing $ETPS[1:0]=01$ in the TIMx_SMCR register.
3. Select rising edge detection on the ETR pin by writing $ETP=0$ in the TIMx_SMCR register.
4. Enable external clock mode 2 by writing $ECE=1$ in the TIMx_SMCR register.
5. Enable the counter by writing $CEN=1$ in the TIMx_CR1 register.

The counter counts once each 2 ETR rising edges.

The delay between the rising edge on ETR and the actual clock of the counter is due to the resynchronization circuit on the ETRP signal.

Figure 53. Control circuit in external clock mode 2

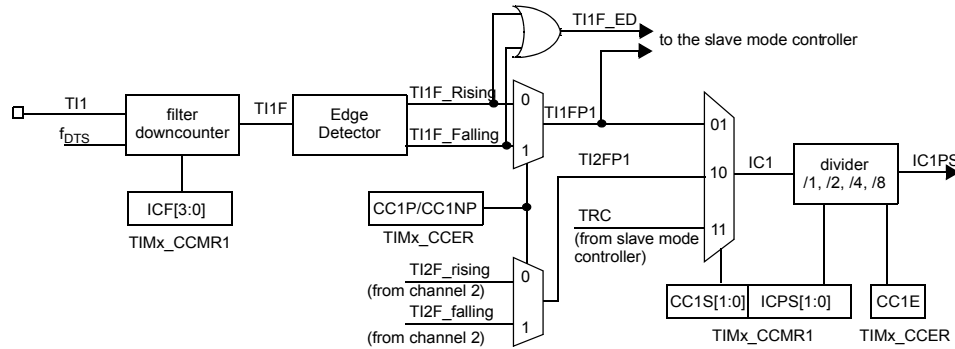


16.3.6 Capture/compare channels

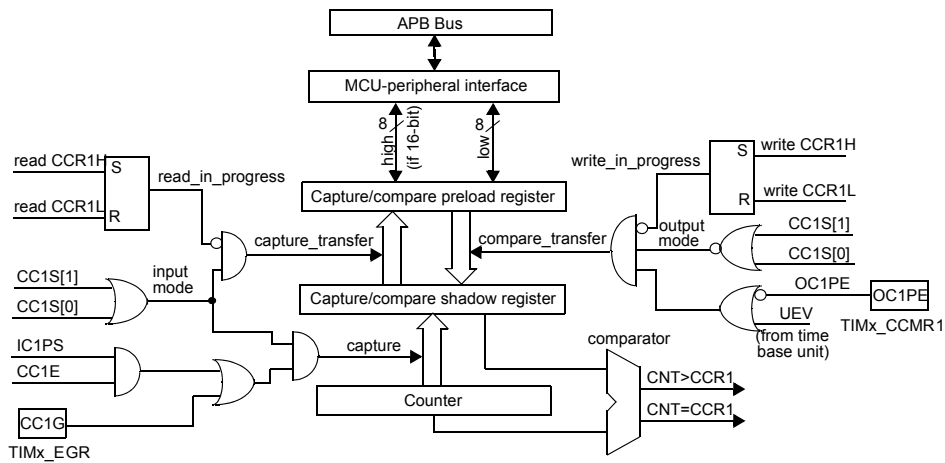
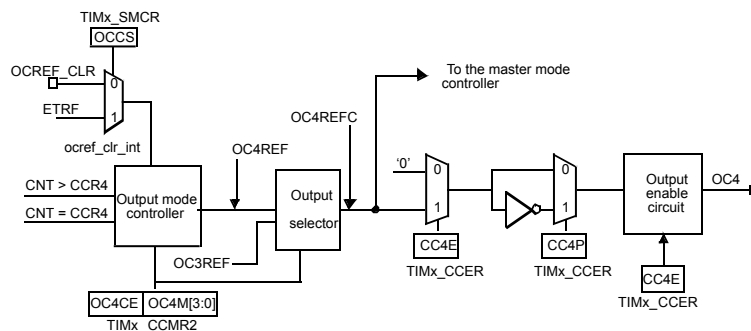
Each capture/compare channel is built around a capture/compare register (including a shadow register), an input stage for capture (with digital filter, multiplexing, and prescaler, except for channels 5 and 6) and an output stage (with comparator and output control).

[Figure 54. Capture/compare channel \(example: channel 1 input stage\)](#) to [Figure 56. Output stage of capture/compare channel \(channel 4, 3, 2 and 1\)](#) to give an overview of one capture/compare channel.

The input stage samples the corresponding TIx input to generate a filtered signal TIxF. Then, an edge detector with polarity selection generates a signal (TIxFPx) which can be used as trigger input by the slave mode controller or as the capture command. It is prescaled before the capture register (ICxPS).

Figure 54. Capture/compare channel (example: channel 1 input stage)


The output stage generates an intermediate waveform which is then used for reference: OCxRef (active high). The polarity acts at the end of the chain.

Figure 55. Capture/compare channel 1 main circuit

Figure 56. Output stage of capture/compare channel (channel 4, 3, 2 and 1)


The capture/compare block is made of one preload register and one shadow register. Write and read always access the preload register.

In capture mode, captures are actually done in the shadow register, which is copied into the preload register.

In compare mode, the content of the preload register is copied into the shadow register which is compared to the counter.

16.3.7 Input capture mode

In input capture mode, the capture/compare registers (TIMx_CCRx) are used to latch the value of the counter after a transition detected by the corresponding ICx signal. When a capture occurs, the corresponding CCxIF flag (TIMx_SR register) is set and an interrupt can be sent if they are enabled. If a capture occurs while the CCxIF flag was already high, then the overcapture flag CCxOF (TIMx_SR register) is set. CCxIF can be cleared by software by writing it to '0' or by reading the captured data stored in the TIMx_CCRx register. CCxOF is cleared when you write it to '0'.

The following example shows how to capture the counter value in TIMx_CCR1 when TI1 input rises. To do this, use the following procedure:

- Select the active input: TIMx_CCR1 must be linked to the TI1 input, so write the CC1S bits to 01 in the TIMx_CCMR1 register. As soon as CC1S becomes different from 00, the channel is configured in input and the TIMx_CCR1 register becomes read-only.
- Program the input filter duration you need with respect to the signal you connect to the timer (when the input is one of the TIx (ICxF bits in the TIMx_CCMRx register). Imagine that, when toggling, the input signal is not stable during, at most, 5 internal clock cycles. A filter duration longer than these 5 clock cycles must be programmed. A transition on TI1 can be validated when 8 consecutive samples with the new level have been detected (sampled at fDTS frequency). Then write IC1F bits to 0011 in the TIMx_CCMR1 register.
- Select the edge of the active transition on the TI1 channel by writing CC1P and CC1NP bits to 0 in the TIMx_CCER register (rising edge in this case).
- Program the input prescaler. In our example, we wish the capture to be performed at each valid transition, so the prescaler is disabled (write IC1PS bits to '00' in the TIMx_CCMR1 register).
- Enable capture from the counter into the capture register by setting the CC1E bit in the TIMx_CCER register.
- If needed, enable the related interrupt request by setting the CC1IE bit in the TIMx_DIER register.

When an input capture occurs:

- The TIMx_CCR1 register gets the value of the counter on the active transition.
- CC1IF flag is set (interrupt flag). CC1OF is also set if at least two consecutive captures occurred whereas the flag was not cleared.
- An interrupt is generated depending on the CC1IE bit
- A DMA request is generated depending on the CC1DE bit.

In order to handle the overcapture, it is recommended to read the data before the overcapture flag. This is to avoid missing an overcapture which could happen after reading the flag and before reading the data.

Note: IC interrupt and/or DMA requests can be generated by software by setting the corresponding CCxG bit in the TIMx_EGR register.

16.3.8 PWM input mode

Note: Only channel 1 and channel 2 support this PWM input mode.

This mode is a particular case of input capture mode. The procedure is the same except:

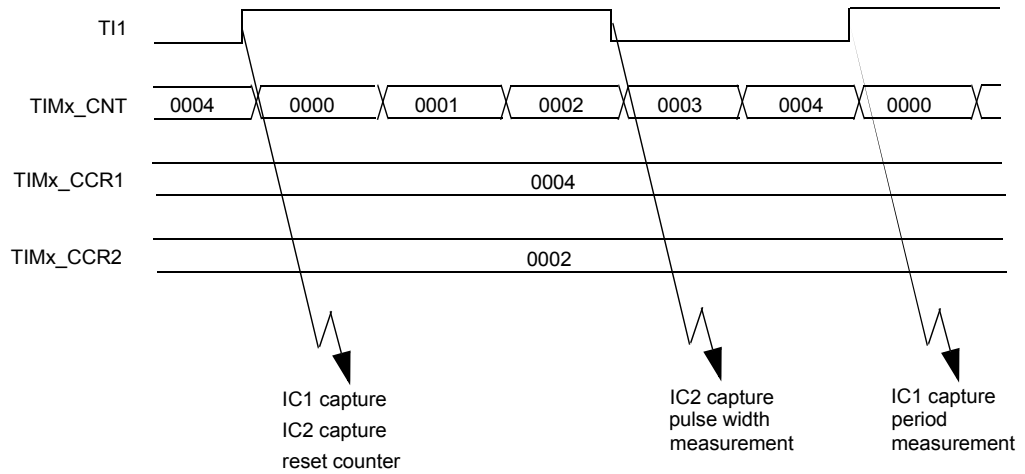
- Two ICx signals are mapped on the same TIx input
- These 2 ICx signals are active on edges with opposite polarity
- One of the two TIxFP signals is selected as trigger input and the slave mode controller is configured in reset mode.

For example, you can measure the period (in TIMx_CCR1 register) and the duty cycle (in TIMx_CCR2 register) of the PWM applied on TI1 using the following procedure (depending on CK_INT frequency and prescaler value):

- Select the active input for TIMx_CCR1: write the CC1S bits to 01 in the TIMx_CCMR1 register (TI1 selected).
- Select the active polarity for TI1FP1 (used both for capture in TIMx_CCR1 and counter clear): write the CC1P and CC1NP bits to '0' (active on rising edge).
- Select the active input for TIMx_CCR2: write the CC2S bits to 10 in the TIMx_CCMR1 register (TI1 selected).
- Select the active polarity for TI1FP2 (used for capture in TIMx_CCR2): write the CC2P and CC2NP bits to CC2P/CC2NP='10' (active on falling edge).
- Select the valid trigger input: write the TS bits to 101 in the TIMx_SMCR register (TI1FP1 selected).
- Configure the slave mode controller in reset mode: write the SMS bits to 0100 in the TIMx_SMCR register.

- Enable the captures: write the CC1E and CC2E bits to '1' in the TIMx_CCER register.

Figure 57. PWM input mode timing



16.3.9 Forced output mode

In output mode (CCxS bits = 00 in the TIMx_CCMRx register), each output compare signal (OCxREF and then OCx/OCxN) can be forced to active or inactive level directly by software, independently of any comparison between the output compare register and the counter.

To force an output compare signal (OCXREF/OCx) to its active level, you just need to write 0101 in the OCxM bits in the corresponding TIMx_CCMRx register. Thus, OCXREF is forced high (OCxREF is always active high) and OCx gets an opposite value to CCxP polarity bit.

For example: CCxP=0 (OCx active high) => OCx is forced to high level.

The OCxREF signal can be forced low by writing the OCxM bits to 0100 in the TIMx_CCMRx register.

Anyway, the comparison between the TIMx_CCRx shadow register and the counter is still performed and allows the flag to be set. Interrupt and DMA requests can be sent accordingly. This is described in the output compare mode section below.

16.3.10 Output compare mode

This function is used to control an output waveform or indicate when a period of time has elapsed. Channels 1 to 6 can be output.

When a match is found between the capture/compare register and the counter, the output compare function:

- Assigns the corresponding output pin to a programmable value defined by the output compare mode (OCxM bits in the TIMx_CCMRx register) and the output polarity (CCxP bit in the TIMx_CCER register). The output pin can keep its level (OCxM=0000), be set active (OCxM=0001), be set inactive (OCxM=0010) or can toggle (OCxM=0011) on match.
- Sets a flag in the interrupt status register (CCxIF bit in the TIMx_SR register).
- Generates an interrupt if the corresponding interrupt mask is set (CCXIE bit in the TIMx_DIER register)
- Sends a DMA request if the corresponding enable bit is set (CCxDE bit in the TIMx_DIER register, CCDS bit in the TIMx_CR2 register for the DMA request selection).

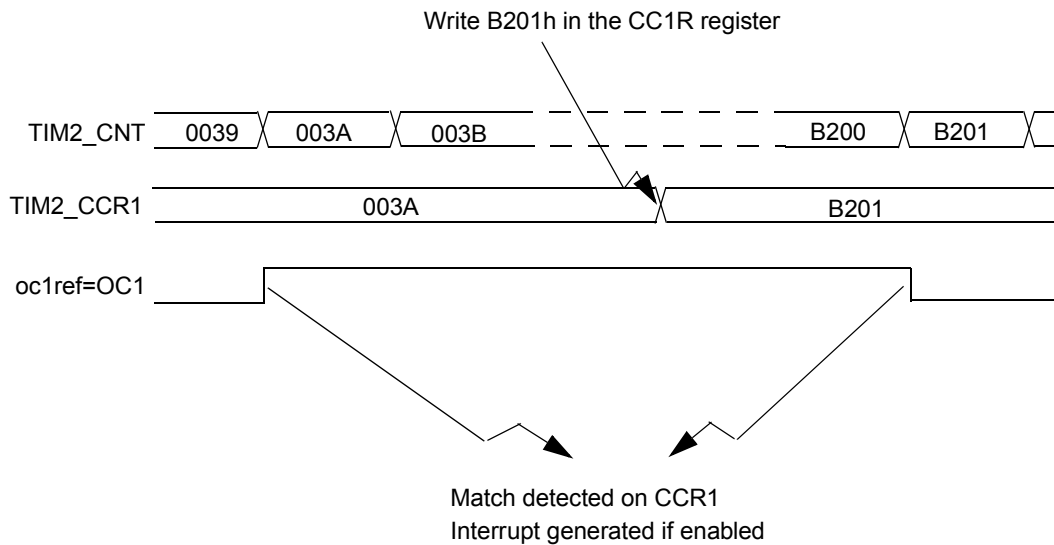
The TIMx_CCRx registers can be programmed with or without preload registers using the OCxPE bit in the TIMx_CCMRx register.

In output compare mode, the update event UEV has no effect on OCxREF and OCx output. The timing resolution is one count of the counter. Output compare mode can also be used to output a single pulse (in one-pulse mode).

Procedure:

1. Select the counter clock (internal, external, prescaler)
2. Write the desired data in the TIMx_ARR and TIMx_CCRx registers.
3. Set the CCxIE bit if an interrupt request is to be generated.
4. Select the output mode. For example:
 - a. Write OCxM = 0011 to toggle OCx output pin when CNT matches CCRx
 - b. Write OCxPE = 0 to disable preload register
 - c. Write CCxP = 0 to select active high polarity
 - d. Write CCxE = 1 to enable the output
5. Enable the counter by setting the CEN bit in the TIMx_CR1 register.

The TIMx_CCRx register can be updated at any time by software to control the output waveform, provided that the preload register is not enabled (OCxPE='0', otherwise the TIMx_CCRx shadow register is updated only at the next update event UEV). An example is given in [Figure 58. Output compare mode, toggle on OC1](#)

Figure 58. Output compare mode, toggle on OC1

16.3.11
PWM mode

Pulse width modulation mode allows you to generate a signal with a frequency determined by the value of the TIMx_ARR register and a duty cycle determined by the value of the TIMx_CCRx register.

The PWM mode can be selected independently on each channel (one PWM per OCx output) by writing '0110' (PWM mode 1) or '0111' (PWM mode 2) in the OCxM bits in the TIMx_CCMRx register. You must enable the corresponding preload register by setting the OCxPE bit in the TIMx_CCMRx register, and eventually the auto-reload preload register (in up-counting or center-aligned modes) by setting the ARPE bit in the TIMx_CR1 register.

As the preload registers are transferred to the shadow registers only when an update event occurs, before starting the counter, you have to initialize all the registers by setting the UG bit in the TIMx_EGR register.

OCx polarity is software programmable using the CCxP bit in the TIMx_CCER register. It can be programmed as active high or active low. OCx output is enabled by a combination of the CCxE, CCxNE, MOE, OSS1 and OSSR bits (TIMx_CCER and TIMx_BDTR registers). Refer to the TIMx_CCER register description for more details.

In PWM mode (1 or 2), TIMx_CNT and TIMx_CCRx are always compared to determine whether $TIMx_CCRx \leq TIMx_CNT$ or $TIMx_CNT \leq TIMx_CCRx$ (depending on the direction of the counter).

The timer is able to generate PWM in edge-aligned mode or center-aligned mode depending on the CMS bits in the TIMx_CR1 register.

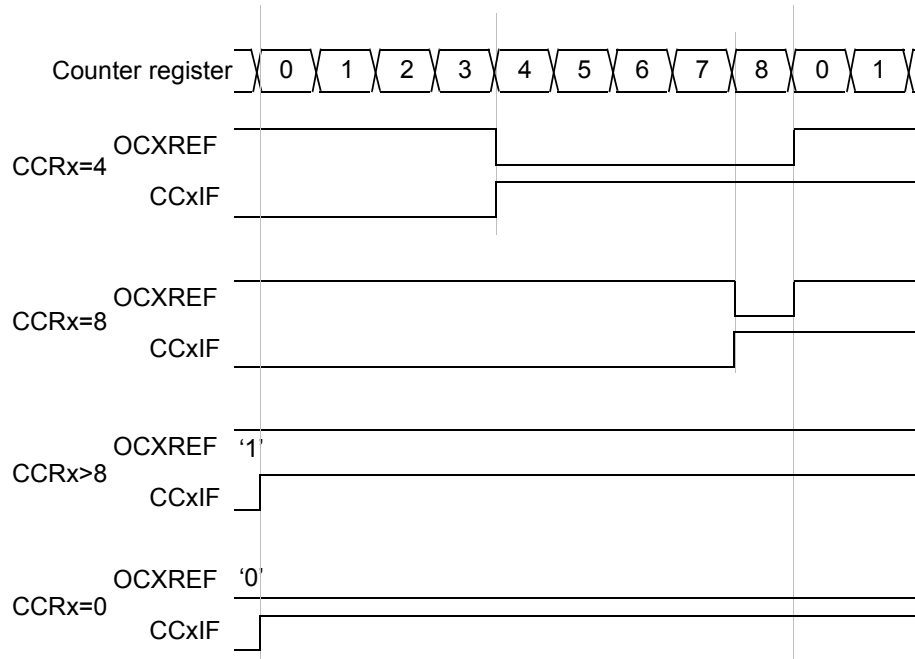
PWM edge-aligned mode

- Up-counting configuration

Up-counting is active when the DIR bit in the TIMx_CR1 register is low. Refer to [Section 16.3.2: Counter modes](#).

In the following example, we consider PWM mode 1. The reference PWM signal OCxREF is high as long as $TIMx_CNT < TIMx_CCRx$, otherwise it becomes low. If the compare value in TIMx_CCRx is greater than the auto-reload value (in TIMx_ARR) then OCxREF is held at '1'. If the compare value is 0 then OCxRef is held at '0'.

[Figure 59. Edge-aligned PWM waveforms \(ARR=8\)](#) shows some edge-aligned PWM waveforms in an example where TIMx_ARR=8.

Figure 59. Edge-aligned PWM waveforms (ARR=8)


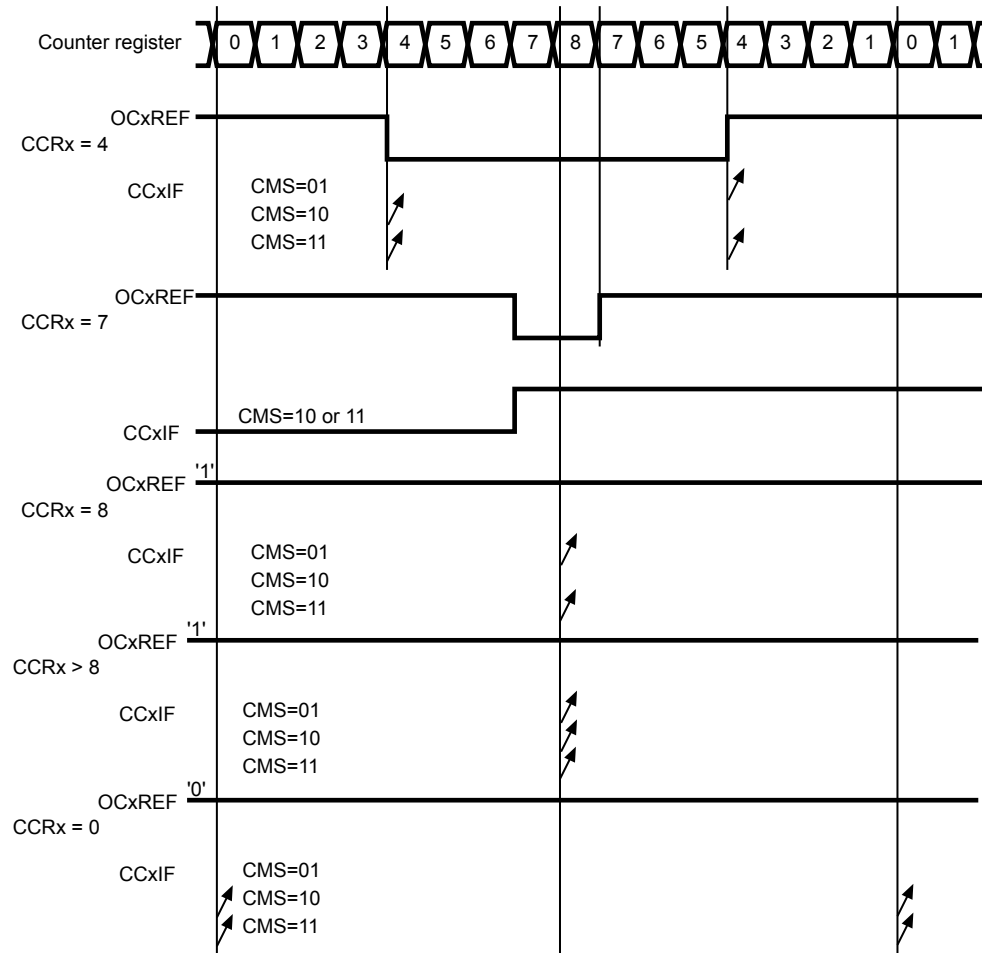
- Down-counting configuration
Down-counting is active when DIR bit in TIMx_CR1 register is high. Refer to [Section 16.3.2: Counter modes](#).
In PWM mode 1, the reference signal OCxRef is low as long as TIMx_CNT > TIMx_CCRx else it becomes high. If the compare value in TIMx_CCRx is greater than the auto-reload value in TIMx_ARR, then OCxREF is held at '1'. 0% PWM is not possible in this mode.

PWM center-aligned mode

Center-aligned mode is active when the CMS bits in TIMx_CR1 register are different from '00' (all the remaining configurations having the same effect on the OCxRef/OCx signals). The compare flag is set when the counter counts up, when it counts down or both when it counts up and down depending on the CMS bits configuration. The direction bit (DIR) in the TIMx_CR1 register is updated by hardware and must not be changed by software. Refer to [Section 16.3.2: Counter modes](#).

[Figure 60. Center-aligned PWM waveforms \(ARR=8\)](#) shows some center-aligned PWM waveforms in an example where:

- TIMx_ARR=8
- PWM mode is the PWM mode 1
- The flag is set when the counter counts down corresponding to the center-aligned mode 1 selected for CMS=01 in TIMx_CR1 register.

Figure 60. Center-aligned PWM waveforms (ARR=8)


Hints on using center-aligned mode

- When starting in center-aligned mode, the current up-down configuration is used. It means that the counter counts up or down depending on the value written in the DIR bit in the TIMx_CR1 register. Moreover, the DIR and CMS bits must not be changed at the same time by the software.
- Writing to the counter while running in center-aligned mode is not recommended as it can lead to unexpected results. In particular:
 1. The direction is not updated if you write a value in the counter that is greater than the auto-reload value (TIMx_CNT > TIMx_ARR). For example, if the counter was counting up, it continues to count up.
 2. The direction is updated if you write 0 or write the TIMx_ARR value in the counter but no Update Event UEV is generated.
- The safest way to use center-aligned mode is to generate an update by software (setting the UG bit in the TIMx_EGR register) just before starting the counter and not to write the counter while it is running.

16.3.12 Asymmetric PWM mode

Asymmetric mode allows two center-aligned PWM signals to be generated with a programmable phase-shift. While the frequency is determined by the value of the TIMx_ARR register, the duty cycle and the phase-shift are determined by a pair of TIMx_CCRx registers. One register controls the PWM during up-counting, the second during down-counting, so that PWM is adjusted every half PWM cycle:

- OC1REFC (or OC2REFC) is controlled by TIMx_CCR1 and TIMx_CCR2
- OC3REFC (or OC4REFC) is controlled by TIMx_CCR3 and TIMx_CCR4

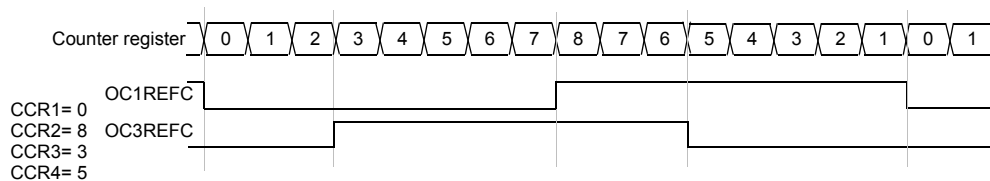
Asymmetric PWM mode can be selected independently on two channels (one OCx output per pair of CCR registers) by writing '1110' (asymmetric PWM mode 1) or '1111' (asymmetric PWM mode 2) in the OCxM bits in the TIMx_CCMRx register.

Note: The OCxM[3:0] bit field is split into two parts for compatibility reasons, the most significant bit is not contiguous with the 3 least significant ones.

When a given channel is used as asymmetric PWM channel, its complementary channel can also be used. For instance, if an OC1REFC signal is generated on channel 1 (asymmetric PWM mode 1), it is possible to output either the OC2REF signal on channel 2, or an OC2REFC signal resulting from asymmetric PWM mode 1.

Figure 61. Generation of 2 phase-shifted PWM signals with 50% duty cycle represents an example of signals that can be generated using the asymmetric PWM mode (channels 1 to 4 are configured in asymmetric PWM mode 1). Together with the deadtime generator, this allows a full-bridge phase-shifted DC to DC converter to be controlled.

Figure 61. Generation of 2 phase-shifted PWM signals with 50% duty cycle



16.3.13 Combined PWM mode

Combined PWM mode allows two edge or center-aligned PWM signals to be generated with programmable delay and phase-shift between respective pulses. While the frequency is determined by the value of the TIMx_ARR register, the duty cycle and delay are determined by the two TIMx_CCRx registers. The resulting signals, OCxREFC, are made of an OR or AND logical combination of two reference PWMs:

- OC1REFC (or OC2REFC) is controlled by TIMx_CCR1 and TIMx_CCR2
- OC3REFC (or OC4REFC) is controlled by TIMx_CCR3 and TIMx_CCR4

Combined PWM mode can be selected independently on two channels (one OCx output per pair of CCR registers) by writing '1100' (combined PWM mode 1) or '1101' (combined PWM mode 2) in the OCxM bits in the TIMx_CCMRx register.

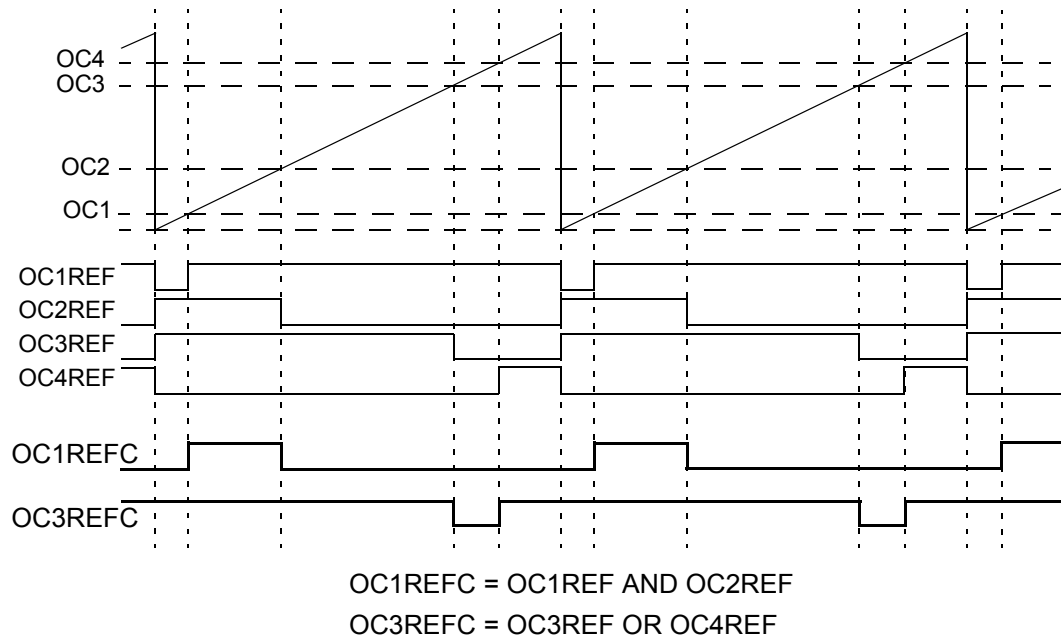
When a given channel is used as combined PWM channel, its complementary channel must be configured in the opposite PWM mode (for instance, one in combined PWM mode 1 and the other in combined PWM mode 2).

Note: The OCxM[3:0] bit field is split into two parts for compatibility reasons, the most significant bit is not contiguous with the 3 least significant ones.

Figure 62. Combined PWM mode on channel 1 and 3 represents an example of signals that can be generated using the asymmetric PWM mode, obtained with the following configuration:

- Channel 1 is configured in combined PWM mode 2
- Channel 2 is configured in PWM mode 1
- Channel 3 is configured in combined PWM mode 2
- Channel 4 is configured in PWM mode 1.

Figure 62. Combined PWM mode on channel 1 and 3



16.3.14 Clearing the OCxREF signal on an external event

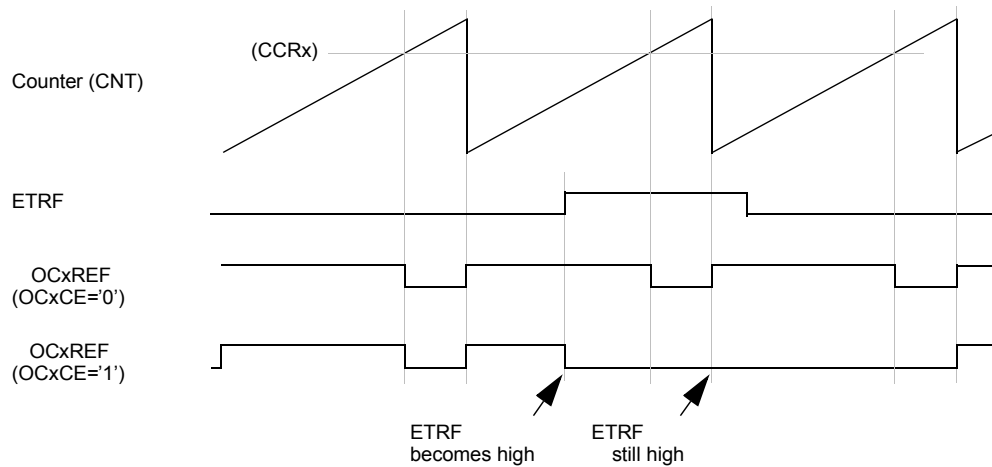
The OCxREF signal of a given channel can be cleared when a high level is applied on the ETRF input (OCxCE enable bit in the corresponding TIMx_CCMRx register set to 1) if TIMx_SMCR.OCCS bit is set to 1.

This function can only be used in output compare and PWM modes. It does not work in forced mode.

1. The external trigger prescaler should be kept off: bits ETPS[1:0] of the TIMx_SMCR register set to '00'.
2. The external clock mode 2 must be disabled: bit ECE of the TIMx_SMCR register set to '0'.
3. The external trigger polarity (ETP) and the external trigger filter (ETF) can be configured according to the user needs.

Figure 63. Clearing TIMx OCxREF shows the behavior of the OCxREF signal when the ETRF input becomes high, for both values of the enable bit OCxCE. In this example, the timer TIMx is programmed in PWM mode.

Figure 63. Clearing TIMx OCxREF



Note: In case of a PWM with a 100% duty cycle (if CCRx>ARR), then OCxREF is enabled again at the next counter overflow.

16.3.15 One-pulse mode

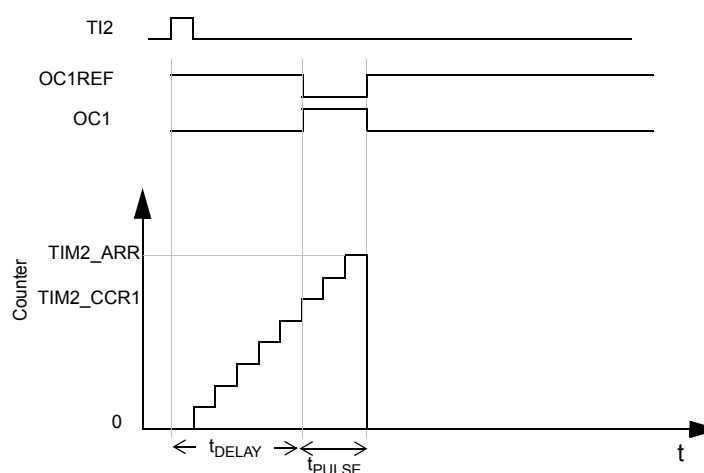
One-pulse mode (OPM) is a particular case of the previous modes. It allows the counter to be started in response to a stimulus and to generate a pulse with a programmable length after a programmable delay.

Starting the counter can be controlled through the slave mode controller. Generating the waveform can be done in output compare mode or PWM mode. You select one-pulse mode by setting the OPM bit in the TIMx_CR1 register. This makes the counter stop automatically at the next update event UEV.

A pulse can be correctly generated only if the compare value is different from the counter initial value. Before starting (when the timer is waiting for the trigger), the configuration must be:

- In up-counting: $CNT < CCRx \leq ARR$ (in particular, $0 < CCRx$)
- In down-counting: $CNT > CCRx$

Figure 64. Example of one-pulse mode



For example you may want to generate a positive pulse on OC1 with a length of t_{PULSE} and after a delay of t_{DELAY} as soon as a positive edge is detected on the TI2 input pin.

Let us use TI2FP2 as trigger 1:

- Map TI2FP2 to TI2 by writing $CC2S=01$ in the TIMx_CCMR1 register
- TI2FP2 must detect a rising edge, write $CC2P=0$ and $CC2NP=0$ in the TIMx_CCER register
- Configure TI2FP2 as trigger for the slave mode controller (TRGI) by writing $TS=110$ in the TIMx_SMCR register
- TI2FP2 is used to start the counter by writing SMS to '110' in the TIMx_SMCR register (trigger mode).

The OPM waveform is defined by writing the compare registers (taking into account the clock frequency and the counter prescaler).

- The t_{DELAY} is defined by the value written in the TIMx_CCR1 register.
- The t_{PULSE} is defined by the difference between the auto-reload value and the compare value ($TIMx_ARR - TIMx_CCR1$)
- Assume that you want to build a waveform with a transition from '0' to '1' when a compare match occurs and a transition from '1' to '0' when the counter reaches the auto-reload value. To do this you enable PWM mode 2 by writing $OC1M=111$ in the TIMx_CCMR1 register. You can optionally enable the preload registers by writing $OC1PE=1$ in the TIMx_CCMR1 register and ARPE in the TIMx_CR1 register. In this case you have to write the compare value in the TIMx_CCR1 register, the auto-reload value in the TIMx_ARR register, generate an update by setting the UG bit and wait for the external trigger event on TI2. CC1P is written to '0' in this example.

In our example, the DIR and CMS bits in the TIMx_CR1 register should be low.

You only want 1 pulse (single mode), so you write '1' in the OPM bit in the TIMx_CR1 register to stop the counter at the next update event (when the counter rolls over from the auto-reload value back to 0). When OPM bit in the TIMx_CR1 register is set to '0', so the repetitive mode is selected.

Particular case: OCx fast enable:

In one-pulse mode, the edge detection on Tlx input sets the CEN bit which enables the counter. Then the comparison between the counter and the compare value makes the output toggle. Several clock cycles are needed for these operations. The minimum delay t_{DELAY} is the minimum we can get.

If you want to output a waveform with the minimum delay, you can set the OCxFE bit in the TIMx_CCMRx register. Then OCxRef (and OCx) are forced in response to the stimulus, without taking into account the comparison. Its new level is the same as if a compare match had occurred. OCxFE acts only if the channel is configured in PWM1 or PWM2 mode.

16.3.16 Retriggerable one-pulse mode (OPM)

This mode allows the counter to be started in response to a stimulus and to generate a pulse with a programmable length, but with the following differences with non-retriggerable one-pulse mode described in Section 16.3.15: One-pulse mode:

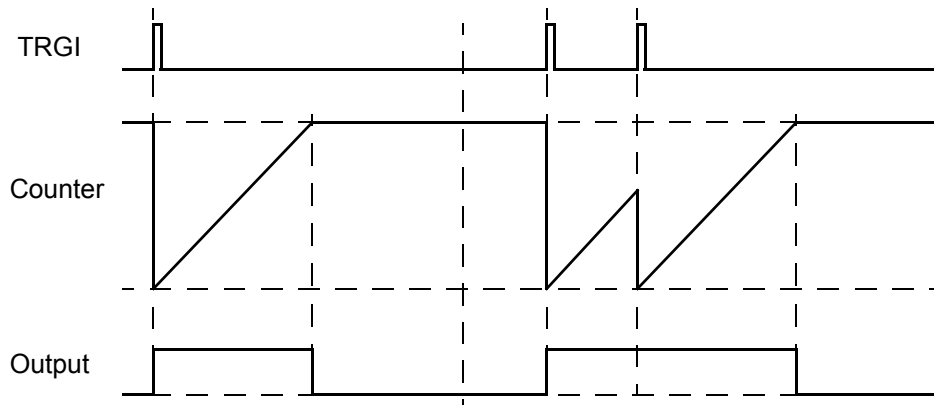
- The pulse starts as soon as the trigger occurs (no programmable delay)
- The pulse is extended if a new trigger occurs before the previous one is completed.

The timer must be in slave mode, with the bits SMS[3:0] = '1000' (combined reset + trigger mode) in the TIMx_SMCR register, and the OCxM[3:0] bits set to '1000' or '1001' for retriggerable OPM mode 1 or 2.

If the timer is configured in up-counting mode, the corresponding CCRx must be set to 0 (the ARR register sets the pulse length). If the timer is configured in down-counting mode, the ARR must be set to 0 (the CCRx register sets the pulse length).

Note: The OCxM[3:0] and SMS[3:0] bit fields are split into two parts for compatibility reasons, the most significant bits are not contiguous with the 3 least significant ones. In retriggerable one-pulse mode, the CCxIF flags are not significant.

Figure 65. Retriggerable one-pulse mode



16.3.17 Encoder interface mode

To select encoder interface mode write SMS='001' in the TIMx_SMCR register if the counter is counting on TI2 edges only, SMS='010' if it is counting on TI1 edges only and SMS='011' if it is counting on both TI1 and TI2 edges.

Select the TI1 and TI2 polarity by programming the CC1P and CC2P bits in the TIMx_CCER register. When needed, you can program the input filter as well. CC1NP and CC2NP must be kept low.

The two inputs TI1 and TI2 are used to interface to a quadrature encoder. Refer to Table 77. Counting direction versus encodersignals.

The counter is clocked by each valid transition on TI1FP1 or TI2FP2 (TI1 and TI2 after input filter and polarity selection, TI1FP1=TI1 if not filtered and not inverted, TI2FP2=TI2 if not filtered and not inverted) assuming that it is enabled (CEN bit in TIMx_CR1 register written to '1'). The sequence of transitions of the two inputs is evaluated and generates count pulses as well as the direction signal. Depending on the sequence the counter counts up or down, the DIR bit in the TIMx_CR1 register is modified by hardware accordingly. The DIR bit is calculated at each transition on any input (TI1 or TI2), whatever the counter is counting on TI1 only, TI2 only or both TI1 and TI2.

Encoder interface mode acts simply as an external clock with the direction selection. This means that the counter just counts continuously between 0 and the auto-reload value in the TIMx_ARR register (0 to ARR or ARR down to 0 depending on the direction). So you must configure TIMx_ARR before starting. In the same way, the capture, compare, prescaler, repetition counter, trigger output features continue to work as normal. Encoder mode and external clock mode 2 are not compatible and must not be selected together.

Note: The prescaler must be set to zero when encoder mode is enabled.

In this mode, the counter is modified automatically following the speed and the direction of the quadrature encoder and its content, therefore, it always represents the encoder position. The count direction corresponds to the rotation direction of the connected sensor. The table below summarizes the possible combinations, assuming T11 and T12 do not switch at the same time.

Table 77. Counting direction versus encodersignals

| Active edge | Level on opposite signal (TI1FP1 for TI2, TI2FP2 for TI1) | TI1FP1 signal | | TI2FP2 signal | |
|-------------------------|---|---------------|----------|---------------|----------|
| | | Rising | Falling | Rising | Falling |
| Counting on TI1 only | High | Down | Up | No Count | No count |
| | Low | Up | Down | No Count | No count |
| Counting on TI2 only | High | No count | No count | Up | Down |
| | Low | No count | No count | Down | Up |
| Counting on TI1 and TI2 | High | Down | Up | Up | Down |
| | Low | Up | Down | Down | Up |

A quadrature encoder can be connected directly to the MCU without any external interface logic. However, comparators are normally used to convert the encoder differential outputs to digital signals. This greatly increases noise immunity. The third encoder output, which indicates the mechanical zero position, may be connected to an external interrupt input and trigger a counter reset.

Figure 66. Example of counter operation in encoder interface mode gives an example of counter operation, showing count signal generation and direction control. It also shows how input jitter is compensated where both edges are selected. This might occur if the sensor is positioned near to one of the switching points. For this example we assume that the configuration is the following:

- CC1S='01' (TIMx_CCMR1 register, TI1FP1 mapped on TI1)
- CC2S='01' (TIMx_CCMR2 register, TI1FP2 mapped on TI2)
- CC1P='0' and CC1NP='0' (TIMx_CCER register, TI1FP1 non-inverted, TI1FP1=TI1)
- CC2P='0' and CC2NP='0' (TIMx_CCER register, TI1FP2 non-inverted, TI1FP2= TI2)
- SMS='011' (TIMx_SMCR register, both inputs are active on both rising and falling edges)
- CEN='1' (TIMx_CR1 register, counter enabled).

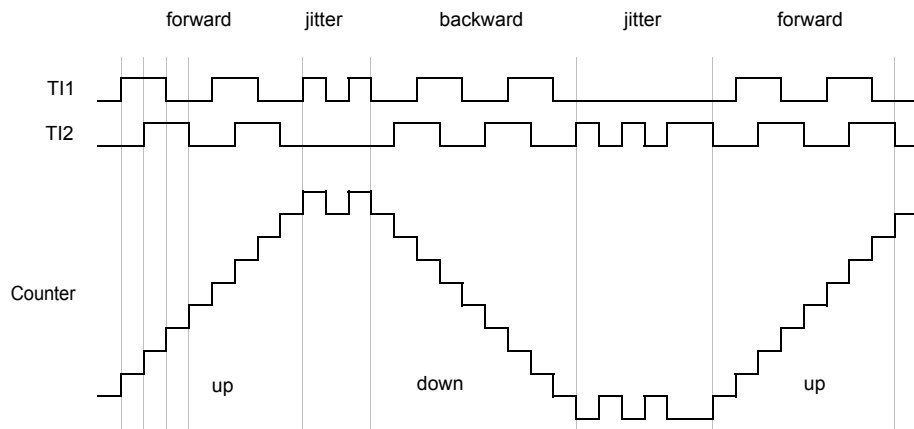
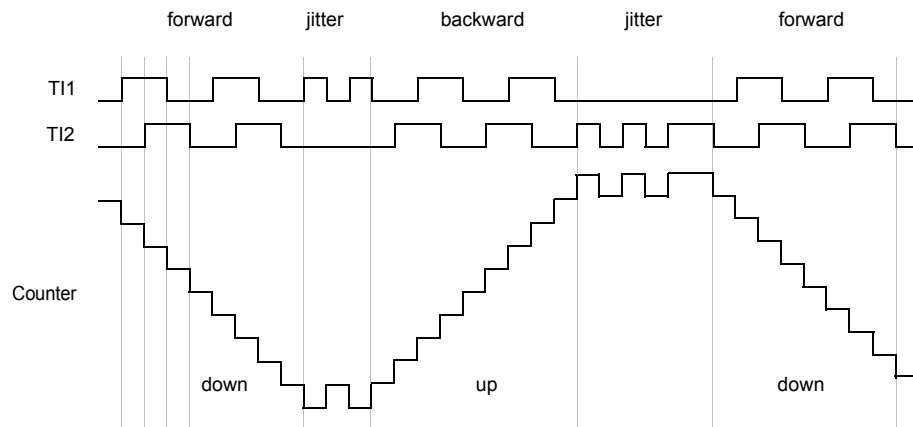
Figure 66. Example of counter operation in encoder interface mode

Figure 67. Example of encoder interface mode with TI1FP1 polarity inverted gives an example of counter behavior when TI1FP1 polarity is inverted (same configuration as above except CC1P='1').

Figure 67. Example of encoder interface mode with TI1FP1 polarity inverted


The timer, when configured in encoder interface mode, provides some information on the sensor current position. You can obtain the dynamic information (speed, acceleration, deceleration) by measuring the period between two encoder events using a second timer configured in capture mode (not available in the STM32WB05xZ device). The output of the encoder, which indicates the mechanical zero, can be used for this purpose. Depending on the time between two events, the counter can also be read at regular times. You can do this by latching the counter value into a third input capture register if available (then the capture signal must be periodic and can be generated by another timer), when available it is also possible to read its value through a DMA request generated by a real-time clock.

The IUFREMAP bit in the TIMx_CR1 register forces a continuous copy of the update interrupt flag (UIF) into the timer counter register bit 31 (TIMxCNT[31]). This allows both the counter value and a potential roll-over condition signaled by the UIFCPY flag to be read in an atomic way. It eases the calculation of angular speed by avoiding race conditions caused, for instance, by a processing shared between a background task (counter reading) and an interrupt (update interrupt).

There is no latency between the UIF and UIFCPY flag assertions.

In 32-bit timer implementations, when the IUFREMAP bit is set, bit 31 of the counter is overwritten by the UIFCPY flag upon read access (the counter most significant bit is only accessible in write mode).

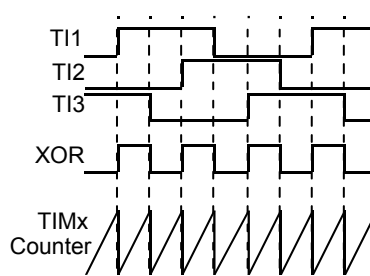
16.3.18 UIF bit remapping

The IUFREMAP bit in the TIMx_CR1 register forces a continuous copy of the update interrupt flag UIF into the timer counter register bit 31 (TIMxCNT[31]). This allows both the counter value and a potential roll-over condition signaled by the UIFCPY flag to be read in an atomic way. In particular cases, it can ease the calculations by avoiding race conditions, caused for instance by a processing shared between a background task (counter reading) and an interrupt (update interrupt). There is no latency between the UIF and UIFCPY flags assertion.

16.3.19 Timer input XOR function

The TI1S bit in the TIMx_CR2 register, allows the input filter of channel 1 to be connected to the output of an XOR gate, combining the two input pins TIMx_CH1 and TIMx_CH2. The XOR output can be used with all the timer input functions such as trigger or input capture. It is convenient to measure the interval between edges on two input signals, as per figure below.

Figure 68. Measuring time interval between edges on 3 signals



16.3.20 DMA burst mode

The TIMx timers have the capability to generate multiple DMA requests on a single event. The main purpose is to be able to re-program several timer registers multiple times without software overhead, but it can also be used to read several registers in a row, at regular intervals.

The DMA controller destination is unique and must point to the virtual register TIMx_DMAR. On a given timer event, the timer launches a sequence of DMA requests (burst). Each write into the TIMx_DMAR register is actually redirected to one of the timer registers.

The DBL[4:0] bits in the TIMx_DCR register set the DMA burst length. The timer recognizes a burst transfer when a read or a write access is done to the TIMx_DMAR address), i.e. the number of transfers (either in half-words or in bytes).

The DBA[4:0] bits in the TIMx_DCR registers define the DMA base address for DMA transfers (when read/write access are done through the TIMx_DMAR address). DBA is defined as an offset starting from the address of the TIMx_CR1 register.

Example:

00000: TIMx_CR1,

00001: TIMx_CR2,

For example, the timer DMA burst feature could be used to update the contents of the CCRx registers (x = 2, 3, 4) on an update event, with the DMA transferring half words into the CCRx registers.

This is done in the following steps:

1. Configure the corresponding DMA channel as follows:
 - a. DMA channel peripheral address is the DMAR register address
 - b. DMA channel memory address is the address of the buffer in the RAM containing the data to be transferred by DMA into the CCRx registers
 - c. Number of data to transfer = 3 (See note below)
 - d. Circular mode disabled
2. Configure the DCR register by configuring the DBA and DBL bit fields as follows:
 - a. DBL = 3 transfers, DBA = 0xE
3. Enable the TIMx update DMA request (set the UDE bit in the DIER register)
4. Enable TIMx
5. Enable the DMA channel

This example is for the case where every CCRx register is to be updated once. If every CCRx register is to be updated twice for example, the number of data to transfer should be 6. Let's take the example of a buffer in the RAM containing data1, data2, data3, data4, data5 and data6. The data is transferred to the CCRx registers as follows: on the first update DMA request, data1 is transferred to CCR2, data2 is transferred to CCR3, data3 is transferred to CCR4 and on the second update DMA request, data4 is transferred to CCR2, data5 is transferred to CCR3 and data6 is transferred to CCR4.

16.4 TIM2 registers

16.4.1 TIM2 control register 1 (TIMx_CR1)

Address offset: 0x00

Reset value: 0x0000

| | | | | | | | | | | | | | | | |
|------|------|------|------|----------|------|----------|----|------|----------|----|-----|-----|-----|------|-----|
| 15 | 14 | 13 | 12 | 11 | 10 | 9 | 8 | 7 | 6 | 5 | 4 | 3 | 2 | 1 | 0 |
| Res. | Res. | Res. | Res. | UIFREMAP | Res. | CKD[1:0] | | ARPE | CMS[1:0] | | DIR | OPM | URS | UDIS | CEN |
| | | | | rw | | rw | rw | rw | rw | rw | rw | rw | rw | rw | rw |

| | |
|------------|---|
| Bits 15:12 | Reserved, always read as 0. |
| Bit 11 | UIFREMAP : UIF status bit remapping. 0: No remapping. UIF status bit is not copied to TIMx_CNT register bit 31. 1: Remapping enabled. UIF status bit is copied to TIMx_CNT register bit 31. |
| Bits 10 | Reserved, always read as 0. |
| Bits 9:8 | CKD[1:0] : Clock division. This bit-field indicates the division ratio between the timer clock (CK_INT) frequency and the deadtime and sampling clock (tDTS) used by the deadtime generators and the digital filters (ETR, TIx). 00: $t_{DTS} = t_{CK_INT}$ 01: $t_{DTS} = 2 * t_{CK_INT}$ 10: $t_{DTS} = 4 * t_{CK_INT}$ 11: Reserved, do not program this value |
| Bit 7 | ARPE : Auto-reload preload enable. 0: TIMx_ARR register is not buffered 1: TIMx_ARR register is buffered |
| Bits 6:5 | CMS[1:0] : Center-aligned mode selection. 00: Edge-aligned mode. The counter counts up or down depending on the direction bit (DIR). 01: Center-aligned mode 1. The counter counts up and down alternatively. Output compare interrupt flags of channels configured in output (CCxS=00 in TIMx_CCMRx register) are set only when the counter is counting down. 10: Center-aligned mode 2. The counter counts up and down alternatively. Output compare interrupt flags of channels configured in output (CCxS=00 in TIMx_CCMRx register) are set only when the counter is counting up. 11: Center-aligned mode 3. The counter counts up and down alternatively. Output compare interrupt flags of channels configured in output (CCxS=00 in TIMx_CCMRx register) are set both when the counter is counting up or down. Note: It is not allowed to switch from edge-aligned mode to center-aligned mode as long as the counter is enabled (CEN=1). |
| Bit 4 | DIR : Direction 0: Counter used as up-counter 1: Counter used as down-counter Note: This bit is read only when the timer is configured in center-aligned mode or encoder mode. |
| Bit 3 | OPM : One-pulse mode. 0: Counter is not stopped at update event 1: Counter stops counting to the next update event (clearing the bit CEN) |
| Bit 2 | URS : Update request source. This bit is set and cleared by software to select the UEV event sources. 0: Any of the following events generates an update interrupt if enabled. These events can be: <ul style="list-style-type: none"> • Counter overflow/underflow • Setting the UG bit |

| | |
|-------|---|
| | <ul style="list-style-type: none"> Update the generation through the slave mode controller <p>1: Only counter overflow/underflow generates an update interrupt if enabled</p> |
| Bit 1 | <p>UDIS: Update disable.</p> <p>This bit is set and cleared by software to enable/disable UEV event generation.</p> <p>0: UEV enabled. The update (UEV) event is generated by one of the following events:</p> <ul style="list-style-type: none"> Counter overflow/underflow Setting the UG bit Update generation through the slave mode controller. Buffered registers are then loaded with their preload values. <p>1: UEV disabled. The update event is not generated, shadow registers keep their value (ARR, PSC, CCRx). However the counter and the prescaler are reinitialized if the UG bit is set or if a hardware reset is received from the slave mode controller.</p> |
| Bit 0 | <p>CEN: Counter enable.</p> <p>0: Counter disabled</p> <p>1: Counter enabled</p> <p>Note: The external clock, gated mode and encoder mode can work only if the CEN bit has been previously set by software. However trigger mode can set the CEN bit automatically by hardware.</p> |

16.4.2 TIM2 control register 2 (TIMx_CR2)

Address offset: 0x04

Reset value: 0x0000

| | | | | | | | | | | | | | | | |
|------|------|------|------|------|------|------|------|------|------|------|------|------|------|------|------|
| 31 | 30 | 29 | 28 | 27 | 26 | 25 | 24 | 23 | 22 | 21 | 20 | 19 | 18 | 17 | 16 |
| Res. | Res. | Res. | Res. | Res. | Res. | Res. | Res. | Res. | Res. | Res. | Res. | Res. | Res. | Res. | Res. |
| 15 | 14 | 13 | 12 | 11 | 10 | 9 | 8 | 7 | 6 | 5 | 4 | 3 | 2 | 1 | 0 |
| Res. | Res. | Res. | Res. | Res. | Res. | Res. | Res. | TI1S | Res. | Res. | Res. | CCDS | Res. | Res. | Res. |
| | | | | | | | | rw | | | | rw | | | |

| | |
|-----------|---|
| Bits 31:8 | Reserved, always read as 0. |
| Bit 7 | TI1S : TI1 selection. 0: The TIMx_CH1 pin is connected to TI1 input 1: The TIMx_CH1, CH2 and CH3 pins are connected to the TI1 input (XOR combination) |
| Bits 6:4 | Reserved, always read as 0. |
| Bit 3 | CCDS : Capture/compare DMA selection 0: CCx DMA request sent when CCx event occurs 1: CCx DMA requests sent when update event occurs |
| Bit 2:0 | Reserved, always read as 0. |

16.4.3 TIM2 slave mode control register (TIMx_SMCR)

Address offset: 0x08

Reset value: 0x0000

| | | | | | | | | | | | | | | | |
|------|------|-----------|------|----------|------|------|------|------|---------|---------|----|------|----------|------|--------|
| 31 | 30 | 29 | 28 | 27 | 26 | 25 | 24 | 23 | 22 | 21 | 20 | 19 | 18 | 17 | 16 |
| Res. | Res. | Res. | Res. | Res. | Res. | Res. | Res. | Res. | Res. | TS[4:3] | | Res. | Res. | Res. | SMS[3] |
| | | | | | | | | | | rw | rw | | | | rw |
| 15 | 14 | 13 | 12 | 11 | 10 | 9 | 8 | 7 | 6 | 5 | 4 | 3 | 2 | 1 | 0 |
| ETP | ECE | ETPS[1:0] | | ETF[3:0] | | | | Res. | TS[2:0] | | | OCCS | SMS[2:0] | | |
| rw | rw | rw | rw | rw | rw | rw | rw | | rw | rw | rw | rw | rw | rw | rw |

| | |
|------------|--|
| Bit 31:22 | Reserved, always read as 0. |
| 21:20 | TS[4:3] |
| Bit 16 | SMS[3] : Slave mode selection - bit 3. Refer to SMS description - bits 2:0. |
| Bit 15 | <p>ETP: External trigger polarity.</p> <p>This bit selects whether ETR or \overline{ETR} is used for trigger operations.</p> <p>0: ETR is non-inverted, active at high level or rising edge</p> <p>1: ETR is inverted, active at low level or falling edge</p> |
| Bit 14 | <p>ECE: External clock enable.</p> <p>This bit enables external clock mode 2.</p> <p>0: External clock mode 2 disabled</p> <p>1: External clock mode 2 enabled. The counter is clocked by any active edge on the ETRF signal.</p> <p>Note: 1: Setting the ECE bit has the same effect as selecting external clock mode 1 with TRGI connected to ETRF (SMS=111 and TS=111).</p> <p>2: It is possible to simultaneously use external clock mode 2 with the following slave modes: reset mode, gated mode and trigger mode. Nevertheless, TRGI must not be connected to ETRF in this case (TS bits must not be 111).</p> <p>3: If external clock mode 1 and external clock mode 2 are enabled at the same time, the external clock input is ETRF.</p> |
| Bits 13:12 | <p>ETPS[1:0]: External trigger prescaler.</p> <p>External trigger signal ETRP frequency must be at most 1/4 of TIMxCLK frequency. A prescaler can be enabled to reduce ETRP frequency. It is useful when inputting fast external clocks.</p> <p>00: Prescaler OFF</p> <p>01: ETRP frequency divided by 2</p> <p>10: ETRP frequency divided by 4</p> <p>11: ETRP frequency divided by 8</p> |
| Bits 11:8 | <p>ETF[3:0]: External trigger filter.</p> <p>This bit-field then defines the frequency used to sample ETRP signal and the length of the digital filter applied to ETRP. The digital filter is made of an event counter in which N events are needed to validate a transition on the output:</p> <p>0000: No filter, sampling is done at f_{DTS} 0001: $f_{SAMPLING}=f_{CK_INT}$, N=2</p> <p>0010: $f_{SAMPLING}=f_{CK_INT}$, N=4</p> <p>0011: $f_{SAMPLING}=f_{CK_INT}$, N=8</p> <p>0100: $f_{SAMPLING}=f_{DTS}/2$, N=6</p> <p>0101: $f_{SAMPLING}=f_{DTS}/2$, N=8</p> <p>0110: $f_{SAMPLING}=f_{DTS}/4$, N=6</p> <p>0111: $f_{SAMPLING}=f_{DTS}/4$, N=8</p> |

| | |
|----------|--|
| | <p>1000: $f_{\text{SAMPLING}}=f_{\text{DTS}}/8$, N=6</p> <p>1001: $f_{\text{SAMPLING}}=f_{\text{DTS}}/8$, N=8</p> <p>1010: $f_{\text{SAMPLING}}=f_{\text{DTS}}/16$, N=5</p> <p>1011: $f_{\text{SAMPLING}}=f_{\text{DTS}}/16$, N=6</p> <p>1100: $f_{\text{SAMPLING}}=f_{\text{DTS}}/16$, N=8</p> <p>1101: $f_{\text{SAMPLING}}=f_{\text{DTS}}/32$, N=5</p> <p>1110: $f_{\text{SAMPLING}}=f_{\text{DTS}}/32$, N=6</p> <p>1111: $f_{\text{SAMPLING}}=f_{\text{DTS}}/32$, N=8</p> |
| Bit 7 | Reserved, always read as 0. |
| Bits 6:4 | <p>TS[2:0]: Trigger selection.</p> <p>This bit-field selects the trigger input to be used to synchronize the counter.</p> <p>00100: T11 Edge Detector (TI1F_ED)</p> <p>00101: Filtered Timer Input 1 (TI1FP1)</p> <p>00110: Filtered Timer Input 2 (TI2FP2)</p> <p>00111: External Trigger input (ETRF)</p> <p>Others: Reserved</p> <p>Note: These bits must be changed only when they are not used (e.g. when SMS=000) to avoid wrong edge detections at the transition.</p> |
| Bit 3 | <p>OCCS: OCREF clear selection.</p> <p>This bit is used to select the OCREF clear source.</p> <p>0: OCREF_CLR_INT is connected to the OCREF_CLR input (stuck at 0 so no effect)</p> <p>1: OCREF_CLR_INT is connected to ETRF</p> |
| Bits 2:0 | <p>SMS: Slave mode selection.</p> <p>When external signals are selected the active edge of the trigger signal (TRGI) is linked to the polarity selected on the external input (see Input Control register and Control Register description).</p> <p>0000: Slave mode disabled - if CEN = '1' then the prescaler is clocked directly by the internal clock</p> <p>0001: Encoder mode 1 - counter counts up/down on TI2FP2 edge depending on TI1FP1 level</p> <p>0010: Encoder mode 2 - counter counts up/down on TI1FP1 edge depending on TI2FP2 level</p> <p>0011: Encoder mode 3 - counter counts up/down on both TI1FP1 and TI2FP2 edges depending on the level of the other input</p> <p>0100: Reset mode - rising edge of the selected trigger input (TRGI) reinitializes the counter and generates an update of the registers</p> <p>0101: Gated mode - the counter clock is enabled when the trigger input (TRGI) is high. The counter stops (but is not reset) as soon as the trigger becomes low. Both start and stop of the counter are controlled.</p> <p>0110: Trigger mode - the counter starts at a rising edge of the trigger TRGI (but it is not reset). Only the start of the counter is controlled.</p> <p>0111: External clock mode 1 - rising edges of the selected trigger (TRGI) clock the counter.</p> <p>1000: Combined reset + trigger mode - Rising edge of the selected trigger input (TRGI) reinitializes the counter, generates an update of the registers and starts the counter.</p> <p>Others: Reserved</p> <p>Note: The gated mode must not be used if TI1F_ED is selected as the trigger input (TS='100'). Indeed, TI1F_ED outputs 1 pulse for each transition on TI1F, whereas the gated mode checks the level of the trigger signal.</p> |

16.4.4 TIM2 DMA/interrupt enable register (TIMx_DIER)

Address offset: 0x0C

Reset value: 0x0000

| | | | | | | | | | | | | | | | |
|------|------|------|-------|-------|-------|-------|-----|------|-----|------|-------|-------|-------|-------|-----|
| 15 | 14 | 13 | 12 | 11 | 10 | 9 | 8 | 7 | 6 | 5 | 4 | 3 | 2 | 1 | 0 |
| Res. | Res. | Res. | CC4DE | CC3DE | CC2DE | CC1DE | UDE | Res. | TIE | Res. | CC4IE | CC3IE | CC2IE | CC1IE | UIE |
| | | | rw | rw | rw | rw | rw | | rw | | rw | rw | rw | rw | rw |

| | |
|------------|--|
| Bits 15:13 | Reserved, always read as 0. |
| Bit 12 | CC4DE : Capture/compare 4 DMA request enable 0: CC4 DMA request disabled 1: CC4 DMA request enabled |
| Bit 11 | CC3DE : Capture/compare 3 DMA request enable 0: CC3 DMA request disabled 1: CC3 DMA request enabled |
| Bit 10 | CC2DE : Capture/compare 2 DMA request enable 0: CC2 DMA request disabled 1: CC2 DMA request enabled |
| Bit 9 | CC1DE : Capture/compare 1DMA request enable 0: CC1 DMA request disabled 1: CC1 DMA request enabled |
| Bit 8 | UDE : Update DMA request enable 0: Update DMA request disabled 1: Update DMA request enabled |
| Bit 7 | Reserved, always read as 0. |
| Bit 6 | TIE : Trigger interrupt enable. 0: Trigger interrupt disabled 1: Trigger interrupt enabled |
| Bit 5 | Reserved, always read as 0. |
| Bit 4 | CC4IE : Capture/compare 4 interrupt enable. 0: CC4 interrupt disabled 1: CC4 interrupt enabled |
| Bit 3 | CC3IE : Capture/compare 3 interrupt enable. 0: CC3 interrupt disabled 1: CC3 interrupt enabled |
| Bit 2 | CC2IE : Capture/compare 2 interrupt enable. 0: CC2 interrupt disabled 1: CC2 interrupt enabled |
| Bit 1 | CC1IE : Capture/compare 1 interrupt enable. 0: CC1 interrupt disabled 1: CC1 interrupt enabled |

| | |
|-------|---|
| Bit 0 | UIE: Update interrupt enable. 0: Update interrupt disabled 1: Update interrupt enabled |
|-------|---|

16.4.5 TIM2 status register (TIMx_SR)

Address offset: 0x10

Reset value: 0x0000

| | | | | | | | | | | | | | | | |
|------|------|------|-------|-------|-------|-------|------|------|-------|------|-------|-------|-------|-------|-------|
| 31 | 30 | 29 | 28 | 27 | 26 | 25 | 24 | 23 | 22 | 21 | 20 | 19 | 18 | 17 | 16 |
| Res. | Res. | Res. | Res. | Res. | Res. | Res. | Res. | Res. | Res. | Res. | Res. | Res. | Res. | Res. | Res. |
| 15 | 14 | 13 | 12 | 11 | 10 | 9 | 8 | 7 | 6 | 5 | 4 | 3 | 2 | 1 | 0 |
| Res. | Res. | Res. | CC4OF | CC3OF | CC2OF | CC1OF | Res. | Res. | TIF | Res. | CC4IF | CC3IF | CC2IF | CC1IF | UIF |
| | | | rc_w0 | rc_w0 | rc_w0 | rc_w0 | | | rc_w0 | | rc_w0 | rc_w0 | rc_w0 | rc_w0 | rc_w0 |

| | |
|-----------|--|
| Bits 31:3 | Reserved, always read as 0. |
| Bit 12 | CC4OF: Capture/compare 4 overcapture flag. Refer to CC1OF description. |
| Bit 11 | CC3OF: Capture/compare 3 overcapture flag. Refer to CC1OF description. |
| Bit 10 | CC2OF: Capture/compare 2 overcapture flag. Refer to CC1OF description. |
| Bit 9 | CC1OF: Capture/compare 1 overcapture flag. This flag is set by hardware only when the corresponding channel is configured in input capture mode. It is cleared by software by writing it to '0'. 0: No overcapture has been detected 1: The counter value has been captured in TIMx_CCR1 register while CC1IF flag was already set |
| Bit 8:7 | Reserved, always read as 0. |
| Bit 6 | TIF: Trigger interrupt flag. This flag is set by hardware on trigger event (active edge detected on TRGI input when the slave mode controller is enabled in all modes but gated mode. It is set when the counter starts or stops when gated mode is selected. It is cleared by software. 0: No trigger event occurred 1: Trigger interrupt pending |
| Bit 5 | Reserved, always read as 0. |
| Bit 4 | CC4IF: Capture/compare 4 interrupt flag. Refer to CC1IF description. |
| Bit 3 | CC3IF: Capture/compare 3 interrupt flag. Refer to CC1IF description. |
| Bit 2 | CC2IF: Capture/compare 2 interrupt flag. Refer to CC1IF description. |
| Bit 1 | CC1IF: Capture/compare 1 interrupt flag. If channel CC1 is configured as output: This flag is set by hardware when the counter matches the compare value, with some exception in center-aligned mode (refer to the CMS bits in the TIMx_CR1 register description). It is cleared by software. 0: No match 1: The content of the counter TIMx_CNT matches the content of the TIMx_CCR1 register. When the contents of TIMx_CCR1 are greater than the contents of TIMx_ARR, the CC1IF bit goes high on the counter overflow (in up-counting and up/down-counting modes) or underflow (in down-counting mode). If channel CC1 is configured as input: This bit is set by hardware on a capture. It is cleared by software or by reading the TIMx_CCR1 register. 0: No input capture occurred 1: The counter value has been captured in TIMx_CCR1 register (an edge has been detected on IC1 which matches the selected polarity) |

| | |
|-------|--|
| Bit 0 | <p>UIF: Update interrupt flag.</p> <p>This bit is set by hardware on an update event. It is cleared by software.</p> <p>0: No update occurred</p> <p>1: Update interrupt pending. This bit is set by hardware when the registers are updated:</p> <ul style="list-style-type: none"> • At overflow or underflow regarding the repetition counter value (update if repetition counter = 0) and if the UDIS=0 in the TIMx_CR1 register. • When CNT is reinitialized by software using the UG bit in TIMx_EGR register, if URS=0 and UDIS=0 in the TIMx_CR1 register. • When CNT is reinitialized by a trigger event (refer to Section 16.4.3: TIM2 slave mode control register (TIMx_SMCR)), if URS=0 and UDIS=0 in the TIMx_CR1 register. |
|-------|--|

16.4.6 TIM2 event generation register (TIMx_EGR)

Address offset: 0x14

Reset value: 0x0000

| | | | | | | | | | | | | | | | |
|------|------|------|------|------|------|------|------|------|----|------|------|------|------|------|----|
| 15 | 14 | 13 | 12 | 11 | 10 | 9 | 8 | 7 | 6 | 5 | 4 | 3 | 2 | 1 | 0 |
| Res. | Res. | Res. | Res. | Res. | Res. | Res. | Res. | Res. | TG | Res. | CC4G | CC3G | CC2G | CC1G | UG |
| | | | | | | | | | w | | w | w | w | w | w |

| | |
|-----------|--|
| Bits 15:7 | Reserved, always read as 0. |
| Bit 6 | <p>TG: Trigger generation.</p> <p>This bit is set by software in order to generate an event, it is automatically cleared by hardware.</p> <p>0: No action</p> <p>1: The TIF flag is set in TIMx_SR register. Related interrupt can occur if enabled.</p> |
| Bit 5 | Reserved, always read as 0. |
| Bit 4 | CC4G: Capture/compare 4 generation. Refer to CC1G description. |
| Bit 3 | CC3G: Capture/compare 3 generation. Refer to CC1G description. |
| Bit 2 | CC2G: Capture/compare 2 generation. Refer to CC1G description. |
| Bit 1 | <p>CC1G: Capture/compare 1 generation.</p> <p>This bit is set by software in order to generate an event, it is automatically cleared by hardware.</p> <p>0: No action</p> <p>1: A capture/compare event is generated on channel 1:</p> <p>If channel CC1 is configured as output:</p> <p>CC1IF flag is set, corresponding interrupt is sent if enabled.</p> <p>If channel CC1 is configured as input:</p> <p>The current value of the counter is captured in TIMx_CCR1 register. The CC1IF flag is set, the corresponding interrupt is sent if enabled. The CC1OF flag is set if the CC1IF flag was already high.</p> |
| Bit 0 | <p>UG: Update generation.</p> <p>This bit can be set by software, it is automatically cleared by hardware.</p> <p>0: No action</p> <p>1: Reinitialize the counter and generates an update of the registers. Note that the prescaler counter is cleared too (anyway the prescaler ratio is not affected). The counter is cleared if the center-aligned mode is selected or if DIR=0 (up-counting), else it takes the auto-reload value (TIMx_ARR) if DIR=1 (down-counting).</p> |

16.4.7 TIM2 capture/compare mode register 1 (TIMx_CCMR1)

Address offset: 0x18

Reset value: 0x0000

The channels can be used in input (capture mode) or in output (compare mode). The direction of a channel is defined by configuring the corresponding CCxS bits. All the other bits of this register have a different function in input and in output mode. For a given bit, OCxx describes its function when the channel is configured in output, ICxx describes its function when the channel is configured in input. So you must take care that the same bit can have a different meaning for the input stage and for the output stage.

| | | | | | | | | | | | | | | | |
|-----------|-----------|------|------|-------------|-----------|-----------|---------|-----------|-----------|------|------|-------------|-----------|-----------|---------|
| 31 | 30 | 29 | 28 | 27 | 26 | 25 | 24 | 23 | 22 | 21 | 20 | 19 | 18 | 17 | 16 |
| Res. | Res. | Res. | Res. | Res. | Res. | Res. | OC2M[3] | Res. | Res. | Res. | Res. | Res. | Res. | Res. | OC1M[3] |
| | | | | | | | Res. | | | | | | | | Res. |
| 15 | 14 | 13 | 12 | 11 | 10 | 9 | 8 | 7 | 6 | 5 | 4 | 3 | 2 | 1 | 0 |
| OC2 CE | OC2M[2:0] | | | OC2 PE | OC2 FE | CC2S[1:0] | | OC1 CE | OC1M[2:0] | | | OC1 PE | OC1 FE | CC1S[1:0] | |
| IC2F[3:0] | | | | IC2PSC[1:0] | | | | IC1F[3:0] | | | | IC1PSC[1:0] | | | |
| r/w | r/w | r/w | r/w | r/w | r/w | r/w | r/w | r/w | r/w | r/w | r/w | r/w | r/w | r/w | r/w |

Output compare mode:

| | |
|------------|--|
| Bits 31:25 | Reserved, always read as 0. |
| Bit 24 | OC2M[3] : Output compare 2 mode - bit 3 |
| Bits 23:17 | Reserved, always read as 0. |
| Bits 16 | OC1M[3] : Output compare 1 mode - bit 3. Refer to OC1M description on bits 6:4. |
| Bit 15 | OC2CE : Output compare 2 clear enable. |
| Bits 14:12 | OC2M[2:0] : Output compare 2 mode. |
| Bit 11 | OC2PE : Output compare 2 preload enable. |
| Bit 10 | OC2FE : Output compare 2 fast enable. |
| Bits 9:8 | CC2S[1:0] : Capture/compare 2 selection. This bit-field defines the direction of the channel (input/output) as well as the used input. 00: CC2 channel is configured as output 01: CC2 channel is configured as input, IC2 is mapped on TI2 10: CC2 channel is configured as input, IC2 is mapped on TI1 11: CC2 channel is configured as input, IC2 is mapped on TRC. This mode is working only if an internal trigger input is selected through the TS bit (TIMx_SMCR register). Note: CC2S bits are writable only when the channel is OFF (CC2E = '0' in TIMx_CCER). |
| Bit 7 | OC1CE : Output compare 1 clear enable. 0: OC1 Ref is not affected by the ETRF input 1: OC1 Ref is cleared as soon as a high level is detected on ETRF input |
| Bits 6:4 | OC1M : Output compare 1 mode. These bits define the behavior of the output reference signal OC1REF from which OC1 and OC1N are derived. OC1REF is active high whereas OC1 and OC1N active level depends on CC1P and CC1NP bits. 0000: Frozen - the comparison between the output compare register TIMx_CCR1 and the counter TIMx_CNT has no effect on the outputs (this mode is used to generate a timing base). 0001: Set channel 1 to active level on match. OC1REF signal is forced high when the counter TIMx_CNT matches the capture/compare register 1 (TIMx_CCR1). |

| | |
|-----------------|--|
| | <p>0010: Set channel 1 to inactive level on match. OC1REF signal is forced low when the counter TIMx_CNT matches the capture/compare register 1 (TIMx_CCR1).</p> <p>0011: Toggle - OC1REF toggles when TIMx_CNT=TIMx_CCR1.</p> <p>0100: Force inactive level - OC1REF is forced low.</p> <p>0101: Force active level - OC1REF is forced high.</p> <p>0110: PWM mode 1 - in up-counting, channel 1 is active as long as TIMx_CNT<TIMx_CCR1, otherwise inactive. In down-counting, channel 1 is inactive (OC1REF='0') as long as TIMx_CNT>TIMx_CCR1, otherwise active (OC1REF='1').</p> <p>0111: PWM mode 2 - in up-counting, channel 1 is inactive as long as TIMx_CNT<TIMx_CCR1, otherwise active. In down-counting, channel 1 is active as long as TIMx_CNT>TIMx_CCR1, otherwise inactive.</p> <p>1000: Retriggerable OPM mode 1 - in up-counting mode, the channel is active until a trigger event is detected (on TRGI signal). Then, a comparison is performed as in PWM mode 1 and the channels become active again at the next update. In down-counting mode, the channel is inactive until a trigger event is detected (on TRGI signal). Then, a comparison is performed as in PWM mode 1 and the channels become inactive again at the next update.</p> <p>1001: Retriggerable OPM mode 2 - in up-counting mode, the channel is inactive until a trigger event is detected (on TRGI signal). Then, a comparison is performed as in PWM mode 2 and the channels become inactive again at the next update. In down-counting mode, the channel is active until a trigger event is detected (on TRGI signal). Then, a comparison is performed as in PWM mode 1 and the channels become active again at the next update.</p> <p>1010: Reserved</p> <p>1011: Reserved</p> <p>1100: Combined PWM mode 1 - OC1REF has the same behavior as in PWM mode 1. OC1REFC is the logical OR between OC1REF and OC2REF.</p> <p>1101: Combined PWM mode 2 - OC1REF has the same behavior as in PWM mode 2. OC1REFC is the logical AND between OC1REF and OC2REF.</p> <p>1110: Asymmetric PWM mode 1 - OC1REF has the same behavior as in PWM mode 1. OC1REFC outputs OC1REF when the counter is counting up, OC2REF when it is counting down.</p> <p>1111: Asymmetric PWM mode 2 - OC1REF has the same behavior as in PWM mode 2. OC1REFC outputs OC1REF when the counter is counting up, OC2REF when it is counting down.</p> <p>Note 1: These bits cannot be modified as long as LOCK level 3 has been programmed (LOCK bits in TIMx_BDTR register) and CC1S='00' (the channel is configured in output).</p> <p>Note 2: In PWM mode, the OCREF level changes only when the result of the comparison changes or when the output compare mode switches from "frozen" mode to "PWM" mode.</p> |
| <p>Bit 3</p> | <p>OC1PE: Output compare 1 preload enable</p> <p>0: Preload register on TIMx_CCR1 disabled. TIMx_CCR1 can be written at anytime, the new value is taken into account immediately.</p> <p>1: Preload register on TIMx_CCR1 enabled. Read/write operations access the preload register. TIMx_CCR1 preload value is loaded in the active register at each update event.</p> <p>Note 1: These bits cannot be modified as long as LOCK level 3 has been programmed (LOCK bits in TIMx_BDTR register) and CC1S='00' (the channel is configured in output).</p> <p>Note 2: The PWM mode can be used without validating the preload register only in one-pulse mode (OPM bit set in TIMx_CR1 register). Otherwise the behavior is not guaranteed.</p> |
| <p>Bit 2</p> | <p>OC1FE: Output compare 1 fast enable</p> <p>This bit is used to accelerate the effect of an event on the trigger in input on the CC output.</p> <p>0: CC1 behaves normally depending on counter and CCR1 values even when the trigger is ON. The minimum delay to activate CC1 output when an edge occurs on the trigger input is 5 clock cycles.</p> <p>1: An active edge on the trigger input acts like a compare match on CC1 output. Then, OC is set to the compare level independently from the result of the comparison. Delay to sample the trigger input and to activate CC1 output is reduced to 3 clock cycles. OC1FE acts only if the channel is configured in PWM1 or PWM2 mode.</p> |
| <p>Bits 1:0</p> | <p>CC1S: Capture/compare 1 selection.</p> <p>This bit-field defines the direction of the channel (input/output) as well as the used input.</p> <p>00: CC1 channel is configured as output</p> <p>01: CC1 channel is configured as input, IC1 is mapped on TI1</p> <p>10: CC1 channel is configured as input, IC1 is mapped on TI2</p> |

| | |
|--|--|
| | <p>11: CC1 channel is configured as input, IC1 is mapped on TRC. This mode is working only if an internal trigger input is selected through TS bit (TIMx_SMCR register).</p> <p>Note: CC1S bits are writable only when the channel is OFF (CC1E = '0' in TIMx_CCER).</p> |
|--|--|

Input capture mode

| | |
|------------|---|
| Bits 31:16 | Reserved, always read as 0. |
| Bits 15:12 | IC2F : Input capture 2 filter. |
| Bits 11:10 | IC2PSC[1:0] : Input capture 2 prescaler. |
| Bits 9:8 | <p>CC2S: Capture/compare 2 selection.</p> <p>This bit-field defines the direction of the channel (input/output) as well as the used input.</p> <p>00: CC2 channel is configured as output</p> <p>01: CC2 channel is configured as input, IC2 is mapped on TI2</p> <p>10: CC2 channel is configured as input, IC2 is mapped on TI1</p> <p>11: CC2 channel is configured as input, IC2 is mapped on TRC. This mode is working only if an internal trigger input is selected through TS bit (TIMx_SMCR register).</p> <p>Note: CC2S bits are writable only when the channel is OFF (CC2E = '0' in TIMx_CCER).</p> |
| Bits 7:4 | <p>IC1F[3:0]: Input capture 1 filter.</p> <p>This bit-field defines the frequency used to sample TI1 input and the length of the digital filter applied to TI1. The digital filter is made of an event counter in which N events are needed to validate a transition on the output:</p> <p>0000: No filter, sampling is done at f_{DTS}</p> <p>0001: $f_{SAMPLING}=f_{CK_INT}$, N=2</p> <p>0010: $f_{SAMPLING}=f_{CK_INT}$, N=4</p> <p>0011: $f_{SAMPLING}=f_{CK_INT}$, N=8</p> <p>0100: $f_{SAMPLING}=f_{DTS}/2$, N=6</p> <p>0101: $f_{SAMPLING}=f_{DTS}/2$, N=8</p> <p>0110: $f_{SAMPLING}=f_{DTS}/4$, N=6</p> <p>0111: $f_{SAMPLING}=f_{DTS}/4$, N=8</p> <p>1000: $f_{SAMPLING}=f_{DTS}/8$, N=6</p> <p>1001: $f_{SAMPLING}=f_{DTS}/8$, N=8</p> <p>1010: $f_{SAMPLING}=f_{DTS}/16$, N=5</p> <p>1011: $f_{SAMPLING}=f_{DTS}/16$, N=6</p> <p>1100: $f_{SAMPLING}=f_{DTS}/16$, N=8</p> <p>1101: $f_{SAMPLING}=f_{DTS}/32$, N=5</p> <p>1110: $f_{SAMPLING}=f_{DTS}/32$, N=6</p> <p>1111: $f_{SAMPLING}=f_{DTS}/32$, N=8</p> |
| Bits 3:2 | <p>IC1PSC: Input capture 1 prescaler.</p> <p>This bit-field defines the ratio of the prescaler acting on CC1 input (IC1). The prescaler is reset as soon as CC1E='0' (TIMx_CCER register).</p> <p>00: No prescaler, capture is done each time an edge is detected on the capture input</p> <p>01: Capture is done once every 2 events</p> <p>10: Capture is done once every 4 events</p> <p>11: Capture is done once every 8 events</p> |
| Bits 1:0 | CC1S : Capture/compare 1 selection |

This bit-field defines the direction of the channel (input/output) as well as the used input.

00: CC1 channel is configured as output

01: CC1 channel is configured as input, IC1 is mapped on TI1

10: CC1 channel is configured as input, IC1 is mapped on TI2

11: CC1 channel is configured as input, IC1 is mapped on TRC. This mode is working only if an internal trigger input is selected through TS bit (TIMx_SMCR register).

Note: CC1S bits are writable only when the channel is OFF (CC1E = '0' in TIMx_CCER).

16.4.8 TIM2 capture/compare mode register 2 (TIMx_CCMR2)

Address offset: 0x1C

Reset value: 0x0000

Refer to .

| | | | | | | | | | | | | | | | |
|-----------|-----------|------|------|-------------|--------|-----------|---------|-----------|-----------|------|------|-------------|--------|-----------|---------|
| 31 | 30 | 29 | 28 | 27 | 26 | 25 | 24 | 23 | 22 | 21 | 20 | 19 | 18 | 17 | 16 |
| Res. | Res. | Res. | Res. | Res. | Res. | Res. | OC4M[3] | Res. | Res. | Res. | Res. | Res. | Res. | Res. | OC3M[3] |
| | | | | | | | Res. | | | | | | | | Res. |
| | | | | | | | rw | | | | | | | | rw |
| 15 | 14 | 13 | 12 | 11 | 10 | 9 | 8 | 7 | 6 | 5 | 4 | 3 | 2 | 1 | 0 |
| OC4 CE | OC4M[2:0] | | | OC4 PE | OC4 FE | CC4S[1:0] | | OC3CE | OC3M[2:0] | | | OC3 PE | OC3 FE | CC3S[1:0] | |
| IC4F[3:0] | | | | IC4PSC[1:0] | | | | IC3F[3:0] | | | | IC3PSC[1:0] | | | |
| rw | rw | rw | rw | rw | rw | rw | rw | rw | rw | rw | rw | rw | rw | rw | rw |

Output compare mode

| | |
|------------|---|
| Bits 31:25 | Reserved, always read as 0. |
| Bit 24 | OC4M[3] : Output compare 4 mode - bit 3 |
| Bits 23:17 | Reserved, always read as 0. |
| Bit 16 | OC3M[3] : Output compare 3 mode - bit 3. |
| Bit 15 | OC4CE : Output compare 4 clear enable. |
| Bits 14:12 | OC4M : Output compare 4 mode. |
| Bit 11 | OC4PE : Output compare 4 preload enable. |
| Bit 10 | OC4FE : Output compare 4 fast enable. |
| Bits 9:8 | <p>CC4S: Capture/compare 4 selection.</p> <p>This bit-field defines the direction of the channel (input/output) as well as the used input.</p> <p>00: CC4 channel is configured as output</p> <p>01: CC4 channel is configured as input, IC4 is mapped on T14</p> <p>10: CC4 channel is configured as input, IC4 is mapped on T13</p> <p>11: CC4 channel is configured as input, IC4 is mapped on TRC. This mode is working only if an internal trigger input is selected through TS bit (TIMx_SMCR register).</p> <p>Note: CC4S bits are writable only when the channel is OFF (CC4E = '0' in TIMx_CCER).</p> |
| Bit 7 | OC3CE : Output compare 3 clear enable. |
| Bits 6:4 | OC3M : Output compare 3 mode. |
| Bit 3 | OC3PE : Output compare 3 preload enable. |
| Bit 2 | OC3FE : Output compare 3 fast enable. |
| Bits 1:0 | <p>CC3S: Capture/compare 3 selection.</p> <p>This bit-field defines the direction of the channel (input/output) as well as the used input.</p> <p>00: CC3 channel is configured as output</p> <p>01: CC3 channel is configured as input, IC3 is mapped on T13</p> <p>10: CC3 channel is configured as input, IC3 is mapped on T14</p> <p>11: CC3 channel is configured as input, IC3 is mapped on TRC. This mode is working only if an internal trigger input is selected through TS bit (TIMx_SMCR register).</p> <p>Note: CC3S bits are writable only when the channel is OFF (CC3E = '0' in TIMx_CCER).</p> |

Input capture mode

| | |
|------------|---|
| Bits 31:16 | Reserved, always read as 0. |
| Bits 15:12 | IC4F : Input capture 4 filter. |
| Bits 11:10 | IC4PSC : Input capture 4 prescaler. |
| Bits 9:8 | <p>CC4S: Capture/compare 4 selection.</p> <p>This bit-field defines the direction of the channel (input/output) as well as the used input.</p> <p>00: CC4 channel is configured as output</p> <p>01: CC4 channel is configured as input, IC4 is mapped on TI4</p> <p>10: CC4 channel is configured as input, IC4 is mapped on TI3</p> <p>11: CC4 channel is configured as input, IC4 is mapped on TRC. This mode is working only if an internal trigger input is selected through TS bit (TIMx_SMCR register).</p> <p>Note: CC4S bits are writable only when the channel is OFF (CC4E = '0' in TIMx_CCER).</p> |
| Bits 7:4 | IC3F : Input capture 3 filter. |
| Bits 3:2 | IC3PSC : Input capture 3 prescaler. |
| Bits 1:0 | <p>CC3S: Capture/compare 3 selection.</p> <p>This bit-field defines the direction of the channel (input/output) as well as the used input.</p> <p>00: CC3 channel is configured as output</p> <p>01: CC3 channel is configured as input, IC3 is mapped on TI3</p> <p>10: CC3 channel is configured as input, IC3 is mapped on TI4</p> <p>11: CC3 channel is configured as input, IC3 is mapped on TRC. This mode is working only if an internal trigger input is selected through TS bit (TIMx_SMCR register).</p> <p>Note: CC3S bits are writable only when the channel is OFF (CC3E = '0' in TIMx_CCER).</p> |

16.4.9 TIM2 capture/compare enable register (TIMx_CCER)

Address offset: 0x20

Reset value: 0x0000

| | | | | | | | | | | | | | | | |
|-------|------|------|------|-------|------|------|------|-------|------|------|------|-------|------|------|------|
| 31 | 30 | 29 | 28 | 27 | 26 | 25 | 24 | 23 | 22 | 21 | 20 | 19 | 18 | 17 | 16 |
| Res. | Res. | Res. | Res. | Res. | Res. | Res. | Res. | Res. | Res. | Res. | Res. | Res. | Res. | Res. | Res. |
| 15 | 14 | 13 | 12 | 11 | 10 | 9 | 8 | 7 | 6 | 5 | 4 | 3 | 2 | 1 | 0 |
| CC4NP | Res. | CC4P | CC4E | CC3NP | Res. | CC3P | CC3E | CC2NP | Res. | CC2P | CC2E | CC1NP | Res. | CC1P | CC1E |
| r/w | | r/w | r/w | r/w | | r/w | r/w | r/w | | r/w | r/w | r/w | | r/w | r/w |

| | |
|------------|---|
| Bits 31:16 | Reserved, always read as 0. |
| Bit 15 | CC4NP : Capture/compare 4 output complementary polarity. Refer to the CC1P bitfield description. |
| Bit 14 | Reserved, always read as 0. |
| Bit 13 | CC4P : Capture/compare 4 output polarity. Refer to the CC1P bitfield description . |
| Bit 12 | CC4E : Capture/compare 4 output enable. Refer to the CC1E bitfield description . |
| Bit 11 | CC3NP : Capture/compare 3 complementary output polarity. Refer to the CC1P bitfield description. |
| Bit 10 | Reserved, always read as 0. |
| Bit 9 | CC3P : Capture/compare 3 output polarity. Refer to the CC1P bitfield description . |
| Bit 8 | CC3E : Capture/compare 3 output enable. Refer to the CC1E bitfield description . |
| Bit 7 | CC2NP : Capture/compare 2 complementary output polarity. Refer to the CC1P bitfield description .Reserved, always read as 0. |
| Bit 6 | Reserved, always read as 0. |
| Bit 5 | CC2P : Capture/compare 2 output polarity. Refer to the CC1P bitfield description . |
| Bit 4 | CC2E : Capture/compare 2 output enable. Refer to the CC1E bitfield description . |
| Bit 3 | CC1NP : Capture/compare 1 complementary output polarity. Refer to the CC1P bitfield description . |
| Bit 2 | Reserved, always read as 0. |
| Bit 1 | <p>CC1P: Capture/compare 1 output polarity.</p> <p>CC1 channel configured as output:</p> <p>0: OC1 active high</p> <p>1: OC1 active low</p> <p>CC1 channel configured as input:</p> <p>CC1NP/CC1P bits select the active polarity of TI1FP1 and TI2FP1 for trigger or capture operations.</p> <p>00: Non-inverted/rising edge. The circuit is sensitive to TlxFP1 rising edge (capture or trigger operations in reset, external clock or trigger mode), TlxFP1 is not inverted (trigger operation in gated mode or encoder mode).</p> <p>01: Inverted/falling edge. The circuit is sensitive to TlxFP1 falling edge (capture or trigger operations in reset, external clock or trigger mode), TlxFP1 is inverted (trigger operation in gated mode or encoder mode).</p> <p>10: Reserved, do not use this configuration.</p> <p>11: Non-inverted/both edges/ The circuit is sensitive to both TlxFP1 rising and falling edges (capture or trigger operations in reset, external clock or trigger mode), TlxFP1 is not inverted (trigger operation in gated mode). This configuration must not be used in encoder mode.</p> <p>Note: This bit is not writable as soon as LOCK level 2 or 3 has been programmed (LOCK bits in TIMx_BDTR register).</p> <p>Note: On channels having a complementary output, this bit is preloaded.</p> |
| Bit 0 | <p>CC1E: Capture/compare 1 output enable.</p> <p>CC1 channel configured as output:</p> <p>0: Off - OC1 is not active. OC1 level is then function of MOE, OSSI, OSSR, OIS1, OIS1N and CC1NE bits.</p> |

| |
|---|
| <p>1: On - OC1 signal is output on the corresponding output pin depending on MOE, OSSI, OSSR, OIS1, OIS1N and CC1NE bits</p> <p>CC1 channel configured as input:</p> <p>This bit determines if a capture of the counter value can actually be done into the input capture/compare register 1 (TIMx_CCR1) or not.</p> <p>0: Capture disabled.</p> <p>1: Capture enabled.</p> <p>Note: On channels having a complementary output, this bit is preloaded.</p> |
|---|

Table 78. Output control bits for OCx channels

| CCxE bit | OCx output state |
|----------|---|
| 0 | Output disabled (not driven by the timer: Hi-Z) OCx=0 |
| 1 | OCxREF + polarity OCx=OCxREF xor CCxP |

16.4.10 TIM2 counter (TIMx_CNT)

Address offset: 0x24

Reset value: 0x0000

| | | | | | | | | | | | | | | | |
|--------|------|------|------|------|------|------|------|------|------|------|------|------|------|------|------|
| 31 | 30 | 29 | 28 | 27 | 26 | 25 | 24 | 23 | 22 | 21 | 20 | 19 | 18 | 17 | 16 |
| UIFCPY | Res. | Res. | Res. | Res. | Res. | Res. | Res. | Res. | Res. | Res. | Res. | Res. | Res. | Res. | Res. |
| r | | | | | | | | | | | | | | | |

| | | | | | | | | | | | | | | | |
|-----------|----|----|----|----|----|----|----|----|----|----|----|----|----|----|----|
| 15 | 14 | 13 | 12 | 11 | 10 | 9 | 8 | 7 | 6 | 5 | 4 | 3 | 2 | 1 | 0 |
| CNT[15:0] | | | | | | | | | | | | | | | |
| rw | rw | rw | rw | rw | rw | rw | rw | rw | rw | rw | rw | rw | rw | rw | rw |

| | |
|------------|--|
| Bit 31 | <p>UIFCPY: UIF copy</p> <p>This bit is a read-only copy of the UIF bit of the TIMx_ISR register. If the UIFREMAP bit in the TIMxCR1 is reset, bit 31 is reserved and read at 0.</p> |
| Bits 30:16 | Reserved, always read as 0. |
| Bits 15:0 | CNT[15:0]: Counter value |

16.4.11 TIM2 prescaler (TIMx_PSC)

Address offset: 0x28

Reset value: 0x0000

| | | | | | | | | | | | | | | | |
|-----------|----|----|----|----|----|----|----|----|----|----|----|----|----|----|----|
| 15 | 14 | 13 | 12 | 11 | 10 | 9 | 8 | 7 | 6 | 5 | 4 | 3 | 2 | 1 | 0 |
| PSC[15:0] | | | | | | | | | | | | | | | |
| rw | rw | rw | rw | rw | rw | rw | rw | rw | rw | rw | rw | rw | rw | rw | rw |

| | |
|-----------|--|
| Bits 15:0 | <p>PSC[15:0]: Prescaler value</p> <p>The counter clock frequency (CK_CNT) is equal to $f_{CK_PSC} / (PSC[15:0] + 1)$.</p> <p>PSC contains the value to be loaded in the active prescaler register at each update event (including when the counter is cleared through UG bit of TIMx_EGR register or through trigger controller when configured in "reset mode").</p> |
|-----------|--|

16.4.12 TIM2 auto-reload register (TIMx_ARR)

Address offset: 0x2C

Reset value: 0xFFFF

| | | | | | | | | | | | | | | | |
|-----------|-----|-----|-----|-----|-----|-----|-----|-----|-----|-----|-----|-----|-----|-----|-----|
| 15 | 14 | 13 | 12 | 11 | 10 | 9 | 8 | 7 | 6 | 5 | 4 | 3 | 2 | 1 | 0 |
| ARR[15:0] | | | | | | | | | | | | | | | |
| r/w | r/w | r/w | r/w | r/w | r/w | r/w | r/w | r/w | r/w | r/w | r/w | r/w | r/w | r/w | r/w |

| | |
|-----------|--|
| Bits 15:0 | <p>ARR[15:0]: Prescaler value.</p> <p>ARR is the value to be loaded in the actual auto-reload register.</p> <p>Refer to Section 16.3.1: Time-base unit for more details about ARR update and behavior.</p> <p>The counter is blocked while the auto-reload value is null.</p> |
|-----------|--|

16.4.13 TIM2 repetition counter register (TIMx_RCR)

Address offset: 0x30

Reset value: 0x0000

| | | | | | | | |
|-----------|-----|-----|-----|-----|-----|-----|-----|
| 7 | 6 | 5 | 4 | 3 | 2 | 1 | 0 |
| REP[15:0] | | | | | | | |
| r/w | r/w | r/w | r/w | r/w | r/w | r/w | r/w |

| | |
|----------|---|
| Bits 7:0 | <p>REP[7:0]: Repetition counter value.</p> <p>These bits allow the user to set-up the update rate of the compare registers (i.e. periodic transfers from preload to active registers) when preload registers are enabled, as well as the update interrupt generation rate, if this interrupt is enabled.</p> <p>Each time the REP_CNT related down-counter reaches zero, an update event is generated and it restarts counting from REP value. As REP_CNT is reloaded with REP value only at the repetition update event U_RC, any write to the TIMx_RCR register is not taken into account until the next repetition update event.</p> <p>It means in PWM mode (REP+1) corresponds to:</p> <ul style="list-style-type: none"> the number of PWM periods in edge-aligned mode the number of half PWM period in center-aligned mode |
|----------|---|

16.4.14 TIM2 capture/compare register 1 (TIMx_CCR1)

Address offset: 0x34

Reset value: 0x0000

| | | | | | | | | | | | | | | | |
|------------|-----|-----|-----|-----|-----|-----|-----|-----|-----|-----|-----|-----|-----|-----|-----|
| 15 | 14 | 13 | 12 | 11 | 10 | 9 | 8 | 7 | 6 | 5 | 4 | 3 | 2 | 1 | 0 |
| CCR1[15:0] | | | | | | | | | | | | | | | |
| r/w | r/w | r/w | r/w | r/w | r/w | r/w | r/w | r/w | r/w | r/w | r/w | r/w | r/w | r/w | r/w |

| | |
|-----------|---|
| Bits 15:0 | <p>CCR1[15:0]: Capture/compare 1 value.</p> <p>If channel CC1 is configured as output:</p> <p>CCR1 is the value to be loaded in the actual capture/compare 1 register (preload value).</p> <p>It is loaded permanently if the preload feature is not selected in the TIMx_CCMR1 register (bit OC1PE). Otherwise the preload value is copied in the active capture/compare 1 register when an update event occurs.</p> <p>The active capture/compare register contains the value to be compared to the counter TIMx_CNT and signaled on OC1 output.</p> <p>If channel CC1 is configured as input:</p> <p>CCR1 is the counter value transferred by the last input capture 1 event (IC1).</p> |
|-----------|---|

16.4.15 TIM2 capture/compare register 2 (TIMx_CCR2)

Address offset: 0x38

Reset value: 0x0000

| | | | | | | | | | | | | | | | |
|------------|----|----|----|----|----|----|----|----|----|----|----|----|----|----|----|
| 15 | 14 | 13 | 12 | 11 | 10 | 9 | 8 | 7 | 6 | 5 | 4 | 3 | 2 | 1 | 0 |
| CCR2[15:0] | | | | | | | | | | | | | | | |
| rw | rw | rw | rw | rw | rw | rw | rw | rw | rw | rw | rw | rw | rw | rw | rw |

| | |
|--------------|---|
| Bits 15:0 | <p>CCR2[15:0]: Capture/compare 2 value</p> <p>If channel CC2 is configured as output:</p> <p>CCR2 is the value to be loaded in the actual capture/compare 2 register (preload value). It is loaded permanently if the preload feature is not selected in the TIMx_CCMR2 register (bit OC2PE). Otherwise the preload value is copied in the active capture/compare 2 register when an update event occurs. The active capture/compare register contains the value to be compared to the counter TIMx_CNT and signalled on OC2 output.</p> <p>If channel CC2 is configured as input:</p> <p>CCR2 is the counter value transferred by the last input capture 2 event (IC2).</p> |
|--------------|---|

16.4.16 TIM2 capture/compare register 3 (TIMx_CCR3)

Address offset: 0x3C

Reset value: 0x0000

| | | | | | | | | | | | | | | | |
|------------|----|----|----|----|----|----|----|----|----|----|----|----|----|----|----|
| 15 | 14 | 13 | 12 | 11 | 10 | 9 | 8 | 7 | 6 | 5 | 4 | 3 | 2 | 1 | 0 |
| CCR3[15:0] | | | | | | | | | | | | | | | |
| rw | rw | rw | rw | rw | rw | rw | rw | rw | rw | rw | rw | rw | rw | rw | rw |

| | |
|--------------|---|
| Bits 15:0 | <p>CCR3[15:0]: Capture/compare value</p> <p>If channel CC3 is configured as output:</p> <p>CCR3 is the value to be loaded in the actual capture/compare 3 register (preload value). It is loaded permanently if the preload feature is not selected in the TIMx_CCMR3 register (bit OC3PE). Otherwise the preload value is copied in the active capture/compare 3 register when an update event occurs. The active capture/compare register contains the value to be compared to the counter TIMx_CNT and signalled on OC3 output.</p> <p>If channel CC3 is configured as input:</p> <p>CCR3 is the counter value transferred by the last input capture 3 event (IC3).</p> |
|--------------|---|

16.4.17 TIM2 capture/compare register 4 (TIMx_CCR4)

Address offset: 0x40

Reset value: 0x0000

| | | | | | | | | | | | | | | | |
|------------|----|----|----|----|----|----|----|----|----|----|----|----|----|----|----|
| 15 | 14 | 13 | 12 | 11 | 10 | 9 | 8 | 7 | 6 | 5 | 4 | 3 | 2 | 1 | 0 |
| CCR4[15:0] | | | | | | | | | | | | | | | |
| rw | rw | rw | rw | rw | rw | rw | rw | rw | rw | rw | rw | rw | rw | rw | rw |

| | |
|--------------|--|
| Bits 15:0 | <p>CCR4[15:0]: Capture/compare value</p> <p>If channel CC4 is configured as output:</p> <p>CCR4 is the value to be loaded in the actual capture/compare 4 register (preload value).</p> <p>It is loaded permanently if the preload feature is not selected in the TIMx_CCMR4 register (bit OC4PE). Otherwise the preload value is copied in the active capture/compare 4 register when an update event occurs.</p> <p>The active capture/compare register contains the value to be compared to the counter TIMx_CNT and signaled on OC4 output.</p> <p>If channel CC4 is configured as input:</p> <p>CCR4 is the counter value transferred by the last input capture 4 event (IC4).</p> |
|--------------|--|

16.4.18 TIM2 DMA control register (TIM2_DCR)

Address offset: 0x2C

Reset value: 0x0000

| | | | | | | | | | | | | | | | |
|------|------|------|----------|----|----|----|----|------|------|------|----------|----|----|----|----|
| 15 | 14 | 13 | 12 | 11 | 10 | 9 | 8 | 7 | 6 | 5 | 4 | 3 | 2 | 1 | 0 |
| Res. | Res. | Res. | DBL[4:0] | | | | | Res. | Res. | Res. | DBA[4:0] | | | | |
| | | | rw | rw | rw | rw | rw | | | | rw | rw | rw | rw | rw |

| | |
|------------|--|
| Bits 15:13 | Reserved, must be kept at reset value |
| Bits 12:8 | <p>DBL[12:8]: DMA burst length</p> <p>This 5-bit field defines the length of DMA transfers (the timer recognizes a burst transfer when a read or a write access is done to the TIM2_DMAR address), i.e. the number of transfers.</p> <p>Transfers can be in half-words or in bytes (see example below). □</p> <p>00000: 1 transfer 00001: 2 transfers 00010: 3 transfers ... 10001: 18 transfers</p> |
| Bits 7:5 | Reserved, must be kept at reset value |
| Bits 4:0 | <p>DBA[4:0]: DMA base address</p> <p>This 5-bit field defines the base-address for DMA transfers (when read/write access are done through the TIM2_DMAR address). DBA is defined as an offset starting from the address of the TIM2_CR1 register. □</p> <p>Example: 00000: TIM2_CR1 00001: TIM2_CR2 00010: Reserved ...</p> <p>Example: Let us consider the following transfer: DBL = 7 transfers and DBA = TIM2_CR1. In this case the transfer is done to/from 7 registers starting from the TIM2_CR1 address.</p> |

16.4.19 TIM2 DMA address for full transfer (TIM2_DMAR)

Address offset: 0x4C

Reset value: 0x0000

| | | | | | | | | | | | | | | | |
|------------|----|----|----|----|----|----|----|----|----|----|----|----|----|----|----|
| 15 | 14 | 13 | 12 | 11 | 10 | 9 | 8 | 7 | 6 | 5 | 4 | 3 | 2 | 1 | 0 |
| DMAB[15:0] | | | | | | | | | | | | | | | |
| rw | rw | rw | rw | rw | rw | rw | rw | rw | rw | rw | rw | rw | rw | rw | rw |

| | |
|--------------|--|
| Bits 15:0 | DMAB[15:0]: DMA register for burst accesses A read or write operation to the DMAR register accesses the register located at the address (TIM2_CR1 address) + (DBA + DMA index) x 4 where TIM2_CR1 address is the address of the control register 1, DBA is the DMA base address configured in TIM2_DCR register, DMA index is automatically controlled by the DMA transfer, and ranges from 0 to DBL (DBL configured in TIM2_DCR). |
|--------------|--|

16.4.20 TIM2 input selection register (TIM2_TISEL)

Address offset: 0x68

Reset value: 0x0000

| | | | | | | | | | | | | | | | |
|------|------|------|------|-------------|----|----|----|------|------|------|------|-------------|----|----|----|
| 31 | 30 | 29 | 28 | 27 | 26 | 25 | 24 | 23 | 22 | 21 | 20 | 19 | 18 | 17 | 16 |
| Res. | Res. | Res. | Res. | TI4SEL[3:0] | | | | Res. | Res. | Res. | Res. | TI3SEL[3:0] | | | |
| | | | | rw | rw | rw | rw | | | | | rw | rw | rw | rw |
| 15 | 14 | 13 | 12 | 11 | 10 | 9 | 8 | 7 | 6 | 5 | 4 | 3 | 2 | 1 | 0 |
| Res. | Res. | Res. | Res. | TI2SEL[3:0] | | | | Res. | Res. | Res. | Res. | TI1SEL[3:0] | | | |
| | | | | rw | rw | rw | rw | | | | | rw | rw | rw | rw |

| | |
|-----------|---|
| Bit 31:28 | Reserved, must be kept at reset value. |
| 27:24 | TI4SEL[3:0]: selects TI4[0] to TI4[15] input 0000: TIMx_CH4 input Others: Reserved |
| Bit 15:12 | Reserved, must be kept at reset value. |
| Bit 11:8 | TI2SEL[3:0]: selects TI2[0] to TI2[15] input 0000: TIMx_CH2 input Others: Reserved |
| Bit 7:4 | Reserved, must be kept at reset value. |
| Bits 3:0 | TI1SEL[3:0]: selects TI1[0] to TI1[15] input 0000: TIMx_CH1 input Others: Reserved |

16.4.21 TIM2 register map

TIM2 registers are mapped as 16-bit addressable registers as described in the table below:

Table 79. TIM2 register map and reset values

| Offset | Register | 31 | 30 | 29 | 28 | 27 | 26 | 25 | 24 | 23 | 22 | 21 | 20 | 19 | 18 | 17 | 16 | 15 | 14 | 13 | 12 | 11 | 10 | 9 | 8 | 7 | 6 | 5 | 4 | 3 | 2 | 1 | 0 | |
|--------|-------------|------|------|------|------|------|------|------|------|------|------|------|------|------|------|------|--------|------|------|------------|------|----------|------|-----------|------|---------|------|-----------|------|----------|-------|-------|-------|-----|
| 0x00 | TIMx_CR1 | Res. | Res. | Res. | Res. | Res. | Res. | Res. | Res. | Res. | Res. | Res. | Res. | Res. | Res. | Res. | Res. | Res. | Res. | Res. | Res. | UIFREMAP | Res. | CKD [1:0] | | ARPE | | CMS [1:0] | | DIR | OPM | URS | UDIS | CEN |
| | Reset value | | | | | | | | | | | | | | | | | | | | | 0 | | 0 | 0 | 0 | 0 | 0 | 0 | 0 | 0 | 0 | 0 | 0 |
| 0x04 | TIMx_CR2 | Res. | Res. | Res. | Res. | Res. | Res. | Res. | Res. | Res. | Res. | Res. | Res. | Res. | Res. | Res. | Res. | Res | Res. | Res. | Res. | Res. | Res. | Res. | Res. | T11S | Res | Res | Res | CCDS | Res. | Res | Res. | |
| | Reset value | | | | | | | | | | | | | | | | | | | | | | | | | 0 | | | | 0 | 0 | | | 0 |
| 0x08 | TIMx_SMCR | Res | Res | Res | Res | Res | Res | Res | Res | Res | Res | Res | Res | Res | Res | Res | SMS[3] | ETP | ECE | ETPS [1:0] | | ETF[3:0] | | | Res | TS[2:0] | | | OCCS | SMS[2:0] | | | | |
| | Reset value | | | | | | | | | | | | | | | | 0 | 0 | 0 | 0 | 0 | 0 | 0 | 0 | 0 | | 0 | 0 | 0 | 0 | 0 | 0 | 0 | 0 |
| 0x0C | TIMx_DIER | Res | Res | Res | Res | Res | Res | Res | Res. | Res. | Res. | Res. | Res. | Res. | Res. | Res. | Res. | Res. | Res. | Res. | Res. | Res. | Res. | Res. | Res. | Res. | Res. | TIE | Res. | CC4IE | CC3IE | CC2IE | CC1IE | UIE |
| | Reset value | | | | | | | | | | | | | | | | | | | | | | | | | | 0 | 0 | 0 | 0 | 0 | 0 | 0 | 0 |
| 0x10 | TIMx_SR | Res | Res | Res | Res | Res | Res | Res | Res | Res | Res | Res | Res | Res | Res | Res. | Res. | Res | Res | Res | Res | Res | Res. | Res. | Res. | Res. | Res. | TIF | Res. | CC4IF | CC3IF | CC2IF | CC1IF | UIF |
| | Reset value | | | | | | | | | | | | | | | | | | | | | 0 | 0 | 0 | 0 | 0 | 0 | 0 | 0 | 0 | 0 | 0 | 0 | 0 |



| Offset | Register | 31 | 30 | 29 | 28 | 27 | 26 | 25 | 24 | 23 | 22 | 21 | 20 | 19 | 18 | 17 | 16 | 15 | 14 | 13 | 12 | 11 | 10 | 9 | 8 | 7 | 6 | 5 | 4 | 3 | 2 | 1 | 0 |
|--------|-----------------------------------|-----|-----|-----|-----|-----|-----|-----|---------|-----|-----|-----|-----|-----|-----|-----|---------|-------|------------|-----|-----|-------|-------|------------|------|-------|------------|------|------|-------|-------|------------|---|
| 0x14 | TIMx_EGR | Res | Res | Res | Res | Res | Res | Res | Res | Res | Res | Res | Res | Res | Res | Res | Res | Res | Res | Res | Res | Res | Res | Res. | Res. | TG | Res. | CC4G | CC3G | CC2G | CC1G | UG | |
| | Reset value | | | | | | | | | | | | | | | | | | | | | | | | | 0 | 0 | 0 | 0 | 0 | 0 | 0 | |
| 0x18 | TIMx_CCMR1 Output Compare mode | Res | Res | Res | Res | Res | Res | Res | OC2M[3] | Res | Res | Res | Res | Res | Res | Res | OC1M[3] | OC2CE | OC2M [2:0] | | | OC2PE | OC2FE | OC2S [1:0] | | OC1CE | OC1M [2:0] | | | OC1PE | OC1FE | OC1S [1:0] | |
| | Resetvalue | | | | | | | | 0 | | | | | | | | 0 | 0 | 0 | 0 | 0 | 0 | 0 | 0 | 0 | 0 | 0 | 0 | 0 | 0 | 0 | 0 | 0 |

| Offset | Register | 31 | 30 | 29 | 28 | 27 | 26 | 25 | 24 | 23 | 22 | 21 | 20 | 19 | 18 | 17 | 16 | 15 | 14 | 13 | 12 | 11 | 10 | 9 | 8 | 7 | 6 | 5 | 4 | 3 | 2 | 1 | 0 |
|--------|-----------------------------------|-----|-----|-----|-----|-----|-----|-----|---------|-----|-----|-----|-----|-----|-----|-----|---------|-----------|------------|----|-----|-----------|-------|------------|---|-----------|------------|---|-----|-----------|-------|------------|---|
| 0x18 | TIMx_CCMR1 Input Capture mode | Res | Res | Res | Res | Res | Res | Res | Res | Res | Res | Res | Res | Res | Res | Res | Res | IC2F[3:0] | | | IC2 | PSC [1:0] | | CC2S [1:0] | | IC1F[3:0] | | | IC1 | PSC [1:0] | | CC1S [1:0] | |
| | Reset value | | | | | | | | | | | | | | | | | 0 | 0 | 0 | 0 | 0 | 0 | 0 | 0 | 0 | 0 | 0 | 0 | 0 | 0 | 0 | |
| 0x1C | TIMx_CCMR2 Output Compare mode | Res | Res | Res | Res | Res | Res | Res | OC4M[3] | Res | Res | Res | Res | Res | Res | Res | OC3M[3] | OC4CE | OC4M [2:0] | | | OC4PE | OC4FE | CC4S [1:0] | | OC3CE | OC3M [2:0] | | | OC3PE | OC3FE | CC3S [1:0] | |
| | Reset value | | | | | | | | 0 | | | | | | | | 0 | 0 | 0 | 0 | 0 | 0 | 0 | 0 | 0 | 0 | 0 | 0 | 0 | 0 | 0 | 0 | |

| Offset | Register | 31 | 30 | 29 | 28 | 27 | 26 | 25 | 24 | 23 | 22 | 21 | 20 | 19 | 18 | 17 | 16 | 15 | 14 | 13 | 12 | 11 | 10 | 9 | 8 | 7 | 6 | 5 | 4 | 3 | 2 | 1 | 0 |
|--------|----------------------------------|--------|-----|-----|-----|-----|-----|-----|-----|-----|-----|------|------|-----|-----|------|------|-----------|-------|------|------|-------|-----------|------------|------|-----------|------|------|------|-----------|------------|------|------|
| 0x1C | TIMx_CCMR2 Input capture mode | Res | Res | Res | Res | Res | Res | Res | Res | Res | Res | Res | Res | Res | Res | Res | Res | IC4F[3:0] | | | | IC4 | PSC [1:0] | CC4S [1:0] | | IC3F[3:0] | | | IC3 | PSC [1:0] | CC3S [1:0] | | |
| | Reset value | | | | | | | | | | | | | | | | | 0 | 0 | 0 | 0 | 0 | 0 | 0 | 0 | 0 | 0 | 0 | 0 | 0 | 0 | 0 | |
| 0x20 | TIMx_CCER | Res | Res | Res | Res | Res | Res | Res | Res | Res | Res | Res. | Res. | Res | Res | Res. | Res. | Res. | CC4NP | CC4P | CC4E | CC3NP | Res. | CC3P | CC3E | CC2NP | Res. | CC2P | CC2E | CC1NP | Res. | CC1P | CC1E |
| | Reset value | | | | | | | | | | | | | | | | | | 0 | 0 | 0 | 0 | 0 | 0 | 0 | 0 | 0 | 0 | 0 | 0 | 0 | 0 | |
| 0x24 | TIMx_CNT | UIFCPY | Res | Res | Res | Res | Res | Res | Res | Res | Res | Res | Res | Res | Res | Res | Res | CNT[15:0] | | | | | | | | | | | | | | | |
| | Reset value | 0 | | | | | | | | | | | | | | | | 0 | 0 | 0 | 0 | 0 | 0 | 0 | 0 | 0 | 0 | 0 | 0 | 0 | 0 | 0 | |
| 0x28 | TIMx_PSC | Res | Res | Res | Res | Res | Res | Res | Res | Res | Res | Res | Res | Res | Res | Res | Res | PSC[15:0] | | | | | | | | | | | | | | | |
| | Reset value | | | | | | | | | | | | | | | | | 0 | 0 | 0 | 0 | 0 | 0 | 0 | 0 | 0 | 0 | 0 | 0 | 0 | 0 | 0 | |
| 0x2C | TIMx_ARR | Res | Res | Res | Res | Res | Res | Res | Res | Res | Res | Res | Res | Res | Res | Res | Res | ARR[15:0] | | | | | | | | | | | | | | | |
| | Reset value | | | | | | | | | | | | | | | | | 1 | 1 | 1 | 1 | 1 | 1 | 1 | 1 | 1 | 1 | 1 | 1 | 1 | 1 | 1 | |

| Offset | Register | 31 | 30 | 29 | 28 | 27 | 26 | 25 | 24 | 23 | 22 | 21 | 20 | 19 | 18 | 17 | 16 | 15 | 14 | 13 | 12 | 11 | 10 | 9 | 8 | 7 | 6 | 5 | 4 | 3 | 2 | 1 | 0 |
|--------|-------------|-----|-----|-----|-----|-----|-----|-----|-----|-----|-----|-----|-----|-----|-----|-----|------|------------|------|------|------|------|------|------|------|----------|---|---|---|---|---|---|---|
| 0x30 | TIMx_RCR | Res | Res | Res | Res | Res | Res | Res | Res | Res | Res | Res | Res | Res | Res | Res | Res. | Res. | Res. | Res. | Res. | Res. | Res. | Res. | Res. | REP[7:0] | | | | | | | |
| | Reset value | | | | | | | | | | | | | | | | | 0 | 0 | 0 | 0 | 0 | 0 | 0 | 0 | 0 | 0 | 0 | 0 | 0 | 0 | 0 | |
| 0x34 | TIMx_CCR1 | Res | Res | Res | Res | Res | Res | Res | Res | Res | Res | Res | Res | Res | Res | Res | Res | CCR1[15:0] | | | | | | | | | | | | | | | |
| | Reset value | | | | | | | | | | | | | | | | | 0 | 0 | 0 | 0 | 0 | 0 | 0 | 0 | 0 | 0 | 0 | 0 | 0 | 0 | 0 | |
| 0x38 | TIMx_CCR2 | Res | Res | Res | Res | Res | Res | Res | Res | Res | Res | Res | Res | Res | Res | Res | Res | CCR2[15:0] | | | | | | | | | | | | | | | |
| | Reset value | | | | | | | | | | | | | | | | | 0 | 0 | 0 | 0 | 0 | 0 | 0 | 0 | 0 | 0 | 0 | 0 | 0 | 0 | 0 | |
| 0x3C | TIMx_CCR3 | Res | Res | Res | Res | Res | Res | Res | Res | Res | Res | Res | Res | Res | Res | Res | Res | CCR3[15:0] | | | | | | | | | | | | | | | |
| | Reset value | | | | | | | | | | | | | | | | | 0 | 0 | 0 | 0 | 0 | 0 | 0 | 0 | 0 | 0 | 0 | 0 | 0 | 0 | 0 | |
| 0x40 | TIMx_CCR4 | Res | Res | Res | Res | Res | Res | Res | Res | Res | Res | Res | Res | Res | Res | Res | Res | CCR4[15:0] | | | | | | | | | | | | | | | |
| | Reset value | | | | | | | | | | | | | | | | | 0 | 0 | 0 | 0 | 0 | 0 | 0 | 0 | 0 | 0 | 0 | 0 | 0 | 0 | 0 | |

| Offset | Register | 31 | 30 | 29 | 28 | 27 | 26 | 25 | 24 | 23 | 22 | 21 | 20 | 19 | 18 | 17 | 16 | 15 | 14 | 13 | 12 | 11 | 10 | 9 | 8 | 7 | 6 | 5 | 4 | 3 | 2 | 1 | 0 |
|--------|-------------|------|------|------|------|-------------|------|------|------|------|------|------|------|------|-------------|------|------|------------|------|------|----------|-------------|----|---|------|------|------|----------|------|-------------|---|---|---|
| 0x48 | TIMx_DCR | Res. | Res. | Res. | Res. | Res. | Res. | Res. | Res. | Res. | Res. | Res. | Res. | Res. | Res. | Res. | Res. | Res. | Res. | Res. | DBL[4:0] | | | | Res. | Res. | Res. | DBA[4:0] | | | | | |
| | Reset value | | | | | | | | | | | | | | | | | | | | | | 0 | 0 | 0 | 0 | | | | | 0 | 0 | 0 |
| 0x4C | TIMx_DMAR | Res. | Res. | Res. | Res. | Res. | Res. | Res. | Res. | Res. | Res. | Res. | Res. | Res. | Res. | Res. | Res. | DMAB[15:0] | | | | | | | | | | | | | | | |
| 0x68 | TIMx_TISEL | Res. | Res. | Res. | Res. | TI4SEL[3:0] | | | | Res. | Res. | Res. | Res. | Res. | TI3SEL[3:0] | | | | Res. | Res. | Res. | TI2SEL[3:0] | | | | Res. | Res. | Res. | Res. | TI1SEL[3:0] | | | |
| | Reset value | | | | | 0 | 0 | 0 | 0 | | | | | | 0 | 0 | 0 | 0 | | | | | 0 | 0 | 0 | 0 | | | | | 0 | 0 | 0 |

Refer to [Section 2.2.2: Memory map and register boundary addresses](#) for the register boundary addresses.

17 General purpose timer (TIM16/17)

17.1 TIM16/17 introduction

The TIM16/17 timers consist of a 16-bit auto-reload counter driven by a programmable prescaler.

They may be used for a variety of purposes, including measuring the pulse lengths of input signals (input capture) or generating output waveforms (output compare, PWM, complementary PWM with deadtime insertion).

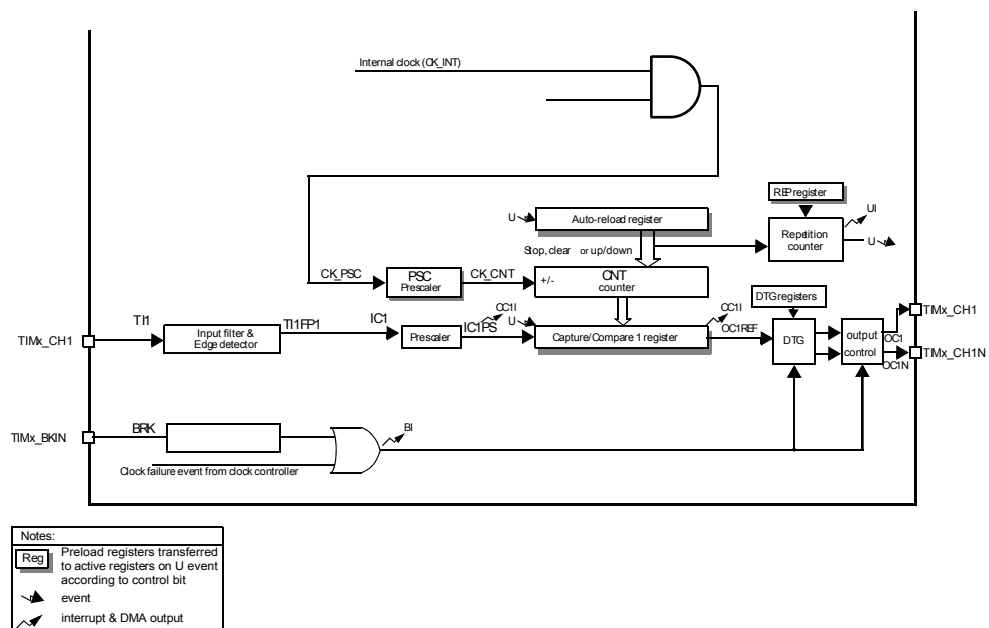
Pulse lengths and waveform periods can be modulated from a few microseconds to several milliseconds using the timer prescaler and the RCC clock controller prescalers. TIM16/17 timers are completely independent, and do not share any resources.

17.2 TIM16 and TIM17 main features

TIM16 and TIM17 timers include:

- 16-bit auto-reload upcounter
- 16-bit programmable prescaler used to divide (also “on the fly”) the counter clock frequency by any factor between 1 and 65535
- One channel for:
 - Input capture
 - Output compare
 - PWM generation (edge-aligned mode)
 - One-pulse mode output
- Complementary outputs with programmable deadtime
- Repetition counter to update the timer registers only after a given number of cycles of the counter
- Break input to put the timer output signals in the reset state or a known state
- Interrupt/DMA generation on the following events:
 - Update: counter overflow
 - Trigger event (counter start, stop, initialization or count by internal/external trigger), only interrupt
 - Input capture
 - Output compare
 - Break input

Figure 69. TIM16 and TIM17 block diagram



17.3 TIM16/17 functional description

17.3.1 Time-base unit

The main block of the programmable advanced-control timer is a 16-bit upcounter with its related auto-reload register. The counter clock can be divided by a prescaler.

The counter, the auto-reload register and the prescaler register can be written or read by software. This is true even when the counter is running.

The time-base unit includes:

- Counter register(TIMx_CNT)
- Prescaler register(TIMx_PSC)
- Auto-reload register(TIMx_ARR)
- Repetition counter register(TIMx_RCR)

The auto-reload register is preloaded. Writing to or reading from the auto-reload register accesses the preload register. The contents of the preload register are transferred into the shadow register permanently or at each update event (UEV), depending on the auto-reload preload enable bit (ARPE) in the TIMx_CR1 register. The update event is sent when the counter reaches the overflow and if the UDIS bit equals 0 in the TIMx_CR1 register. It can also be generated by software. The generation of the update event is described in detail for each configuration.

The counter is clocked by the prescaler output CK_CNT, which is enabled only when the counter enable bit (CEN) in the TIMx_CR1 register is set (refer also to the slave mode controller description to get more details on counter enabling).

Note that the counter starts counting 1 clock cycle after setting the CEN bit in the TIMx_CR1 register.

Prescaler description

The prescaler can divide the counter clock frequency by any factor between 1 and 65536. It is based on a 16-bit counter controlled through a 16-bit register (in the TIMx_PSC register). It can be changed on-the-fly as this control register is buffered. The new prescaler ratio is taken into account at the next update event.

Figure 70. Counter timing diagram with prescaler division change from 1 to 2 and Figure 71. Counter timing diagram with prescaler division change from 1 to 4 give some examples of the counter behavior when the prescaler ratio is changed on-the-fly.

Figure 70. Counter timing diagram with prescaler division change from 1 to 2

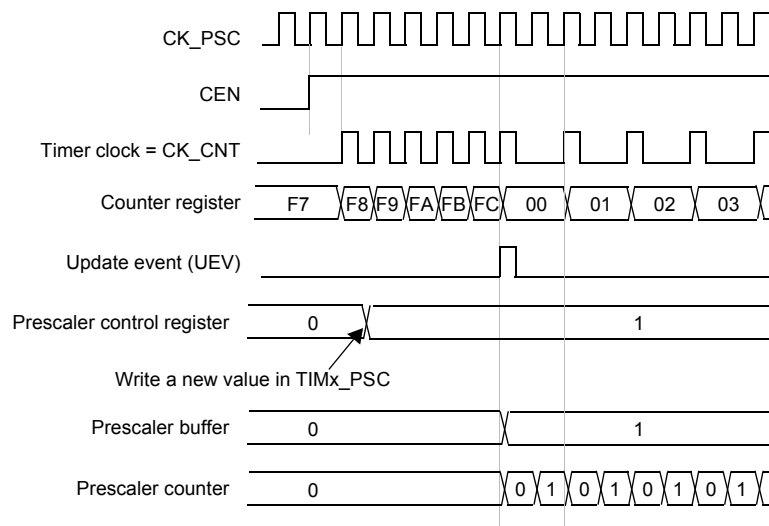
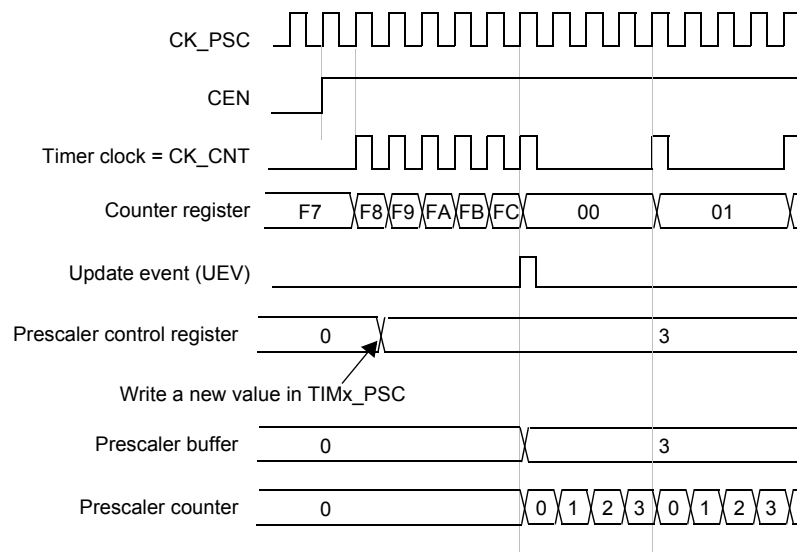


Figure 71. Counter timing diagram with prescaler division change from 1 to 4



17.3.2 Counter modes

Up-counting mode

In up-counting mode, the counter counts from 0 to the auto-reload value (content of the TIMx_ARR register), then restarts from 0 and generates a counter overflow event.

If the repetition counter is used, the update event (UEV) is generated after up-counting is repeated for the number of times programmed in the repetition counter register (TIMx_RCR). Otherwise, the update event is generated at each counter overflow.

Setting the UG bit in the TIMx_EGR register (by software or by using the slave mode controller) also generates an update event.

The UEV event can be disabled by software by setting the UDIS bit in the TIMx_CR1 register. This is to avoid updating the shadow registers while writing new values in the preload registers. Then no update event occurs until the UDIS bit has been written to 0. However, the counter restarts from 0, as well as the counter of the prescaler (but the prescale rate does not change). In addition, if the URS bit (update request selection) in the TIMx_CR1 register is set, setting the UG bit generates an update event UEV but without setting the UIF flag (thus no interrupt or DMA request is sent). This is to avoid generating both update and capture interrupts when clearing the counter on the capture event.

When an update event occurs, all the registers are updated and the update flag (UIF bit in TIMx_SR register) is set (depending on the URS bit):

- The repetition counter is reloaded with the content of the TIMx_RCR register
- The auto-reload shadow register is updated with the preload value (TIMx_ARR)
- The buffer of the prescaler is reloaded with the preload value (content of the TIMx_PSC register).

The following figures show some examples of the counter behavior for different clock frequencies when TIMx_ARR=0x36.

Figure 72. Counter timing diagram, internal clock divided by 1

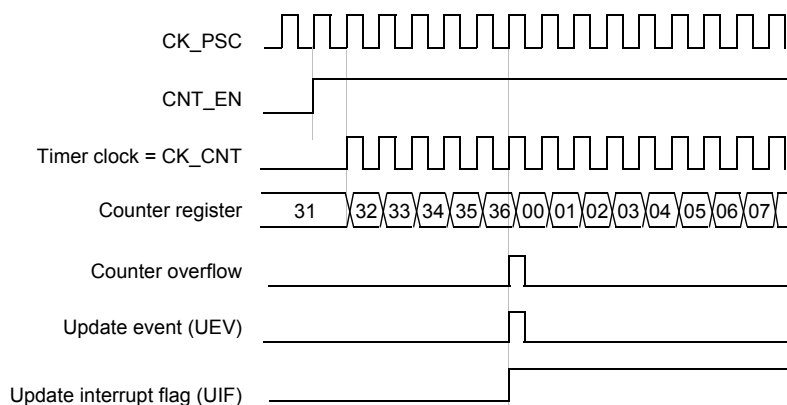


Figure 73. Counter timing diagram, internal clock divided by 2

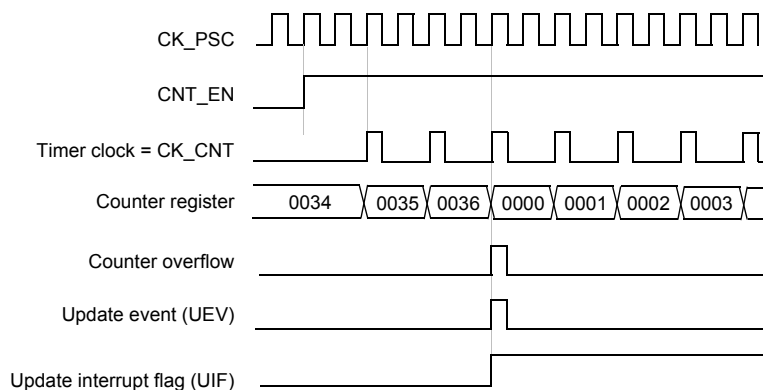


Figure 74. Counter timing diagram, internal clock divided by 4

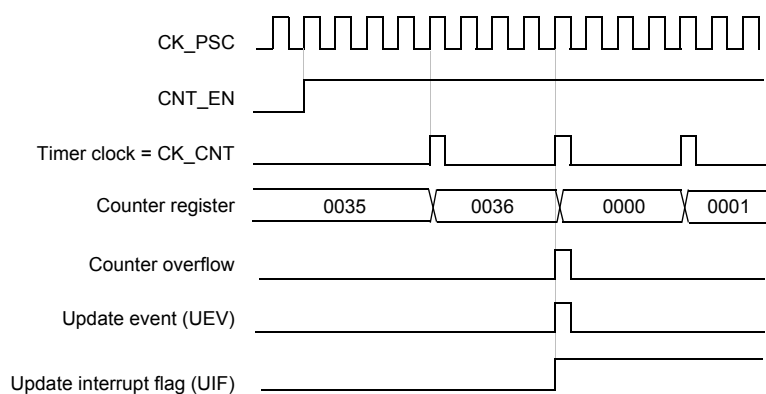


Figure 75. Counter timing diagram, internal clock divided by N

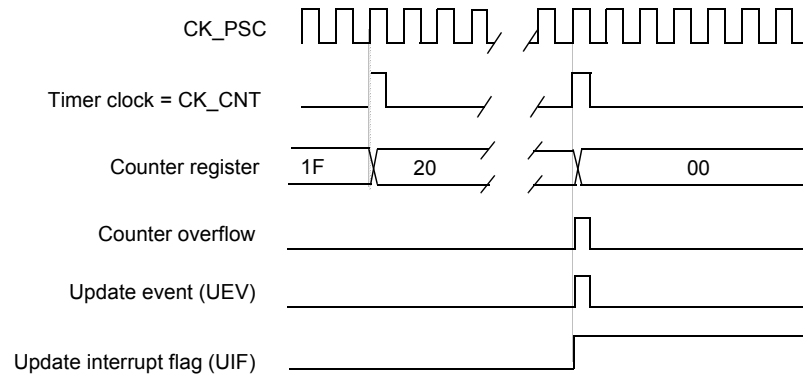


Figure 76. Counter timing diagram, update event when ARPE=0 (TIMx_ARR not preloaded)

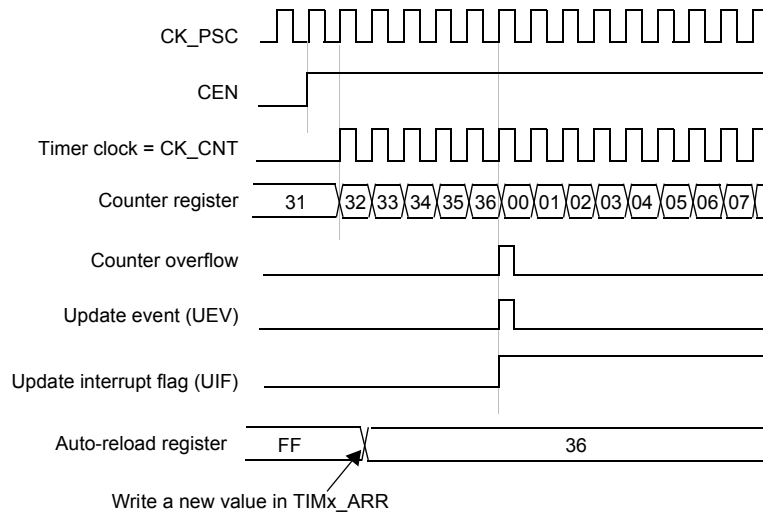
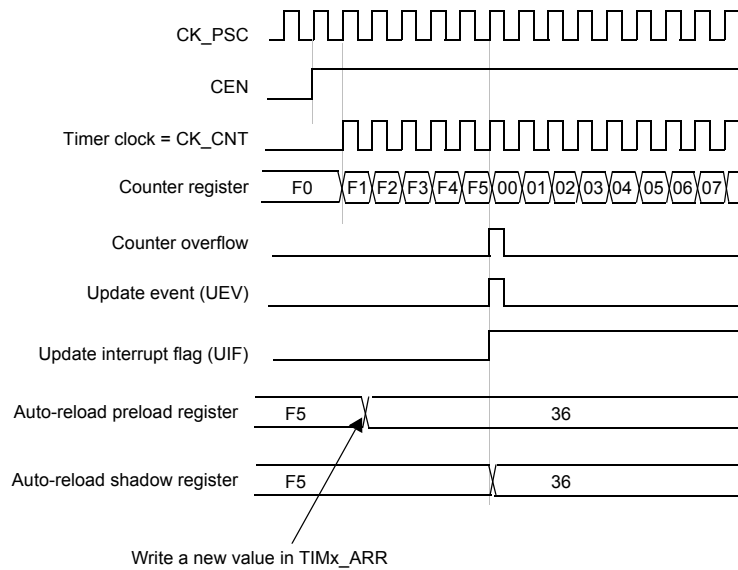


Figure 77. Counter timing diagram, update event when ARPE=1 (TIMx_ARR preloaded)


17.3.3 Repetition counter

Section 17.3.1: [Time-base unit](#) describes how the update event (UEV) is generated with respect to the counter overflows. It is actually generated only when the repetition counter has reached zero. This can be useful when generating PWM signals.

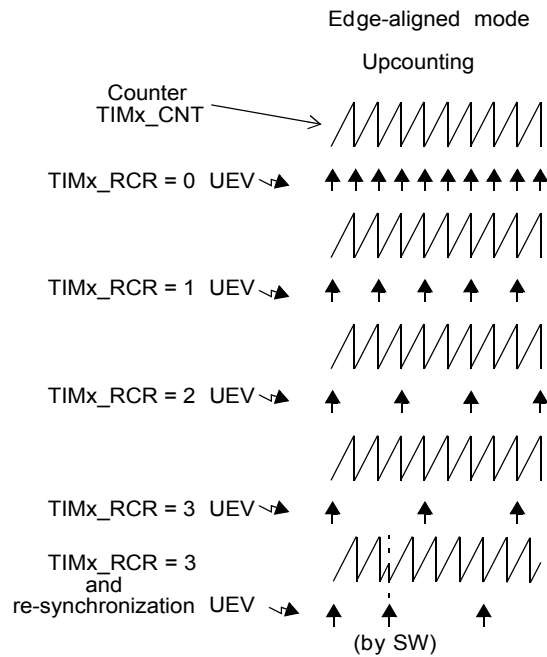
This means that data are transferred from the preload registers to the shadow registers (TIMx_ARR auto-reload register, TIMx_PSC prescaler register, but also TIMx_CCRx capture/compare registers in compare mode) every N counter overflow, where N is the value in the TIMx_RCR repetition counter register.

The repetition counter is decremented at each counter overflow.

The repetition counter is an auto-reload type; the repetition rate is maintained as defined by the TIMx_RCR register value (refer to [Figure 78. Update rate examples depending on mode and TIMx_RCR register settings](#)).

When the update event is generated by software (by setting the UG bit in the TIMx_EGR register) or by hardware through the slave mode controller, it occurs immediately whatever the value of the repetition counter is and the repetition counter is reloaded with the content of the TIMx_RCR register.

Figure 78. Update rate examples depending on mode and TIMx_RCR register settings



UEV \blacktriangleleft Update Event: Preload registers transferred to active registers and update interrupt generated.

MS31084V2

17.3.4 Clock selection

The counter clock can be provided by the following clock sources:

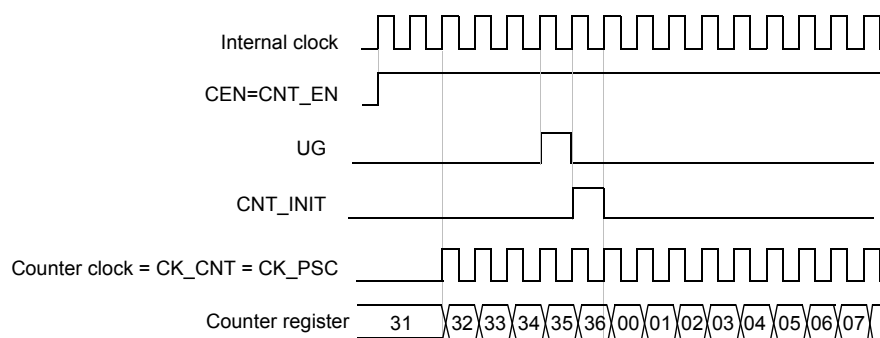
- Internal clock (CK_INT)

Internal clock source (CK_INT)

The CEN, DIR (in the TIMx_CR1 register) and UG bits (in the TIMx_EGR register) are control bits and can be changed only by software (except UG, which remains cleared automatically). As soon as the CEN bit is written to 1, the prescaler is clocked by the internal clock CK_INT.

Figure 79. Control circuit in normal mode, internal clock divided by 1 shows the behavior of the control circuit and the upcounter in normal mode, without prescaler.

Figure 79. Control circuit in normal mode, internal clock divided by 1



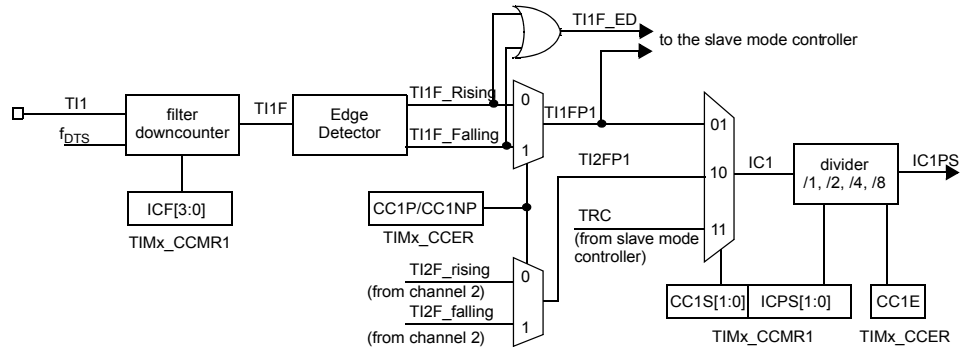
17.3.5 Capture/compare channels

Each capture/compare channel is built around a capture/compare register (including a shadow register), an input stage for capture (with digital filter, multiplexing, and prescaler) and an output stage (with comparator and output control).

Figure 80. Capture/compare channel (example: channel 1 input stage) to Figure 82. Output stage of capture/compare channel (channel 1) give an overview of one capture/compare channel.

The input stage samples the corresponding Tl_x input to generate a filtered signal Tl_xF. Then, an edge detector with polarity selection generates a signal (Tl_xFP_x) which can be used as trigger input by the slave mode controller or as the capture command. It is prescaled before the capture register (IC_xPS).

Figure 80. Capture/compare channel (example: channel 1 input stage)



The output stage generates an intermediate waveform which is then used for reference: OC_xRef (active high). The polarity acts at the end of the chain.

Figure 81. Capture/compare channel 1 main circuit

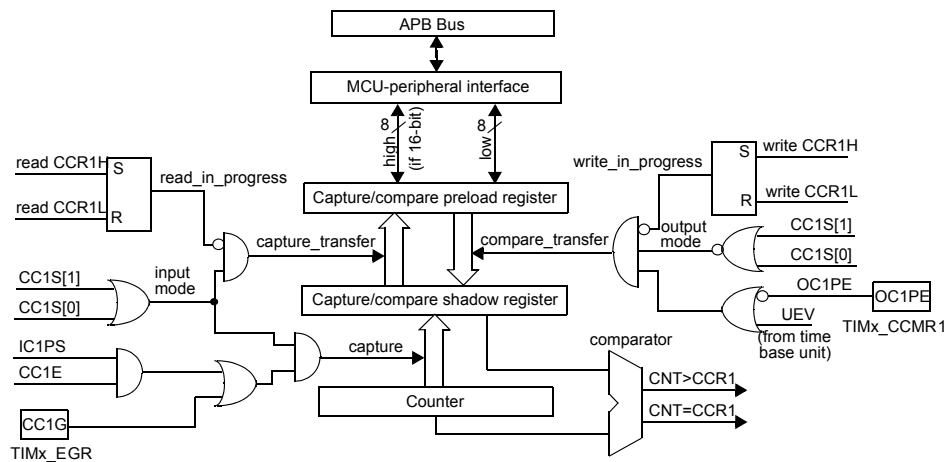
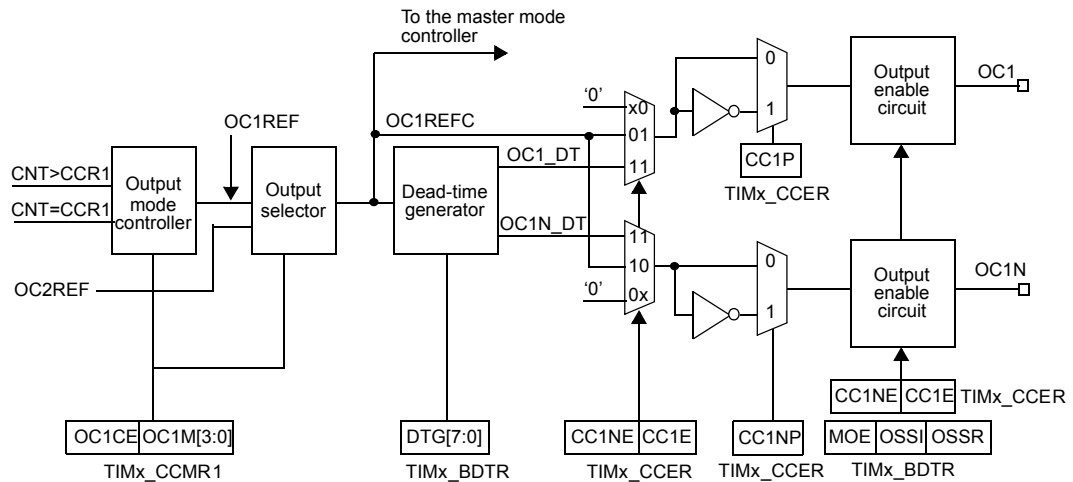


Figure 82. Output stage of capture/compare channel (channel 1)


The capture/compare block is made of one preload register and one shadow register. Write and read always access the preload register.

In capture mode, captures are actually done in the shadow register, which is copied into the preload register.

In compare mode, the content of the preload register is copied into the shadow register which is compared to the counter.

17.3.6 Input capture mode

In input capture mode, the capture/compare registers (TIMx_CCRx) are used to latch the value of the counter after a transition detected by the corresponding ICx signal. When a capture occurs, the corresponding CCxIF flag (TIMx_SR register) is set and an interrupt or a DMA request can be sent if they are enabled. If a capture occurs while the CCxIF flag was already high, then the overcapture flag CCxOF (TIMx_SR register) is set. CCxIF can be cleared by software by writing it to '0' or by reading the captured data stored in the TIMx_CCRx register. CCxOF is cleared when it is written to '0'.

The following example shows how to capture the counter value in TIMx_CCR1 when T11 input rises. To do this, use the following procedure:

- Select the active input: TIMx_CCR1 must be linked to the T11 input, so write the CC1S bits to 01 in the TIMx_CCMR1 register. As soon as CC1S becomes different from 00, the channel is configured in input and the TIMx_CCR1 register becomes read-only.
- Program the input filter duration needed with respect to the signal connected to the timer (when the input is one of the Tix (ICxF bits in the TIMx_CCMRx register). Imagine that, when toggling, the input signal is not stable during, at most, 5 internal clock cycles. A filter duration longer than these 5 clock cycles must be programmed. A transition on T11 can be validated when 8 consecutive samples with the new level have been detected (sampled at f_{DTS} frequency). Then write IC1F bits to 0011 in the TIMx_CCMR1 register.
- Select the edge of the active transition on the T11 channel by writing CC1P and CC1NP bits to 0 in the TIMx_CCER register.
- Program the input prescaler. In our example, we wish the capture to be performed at each valid transition, so the prescaler is disabled (write IC1PS bits to '00' in the TIMx_CCMR1 register).
- Enable capture from the counter into the capture register by setting the CC1E bit in the TIMx_CCER register.
- If needed, enable the related interrupt request by setting the CC1IE bit in the TIMx_DIER register, and/or the DMA request by setting the CC1DE bit in the TIMx_DIER register.

When an input capture occurs:

- The TIMx_CCR1 register gets the value of the counter on the active transition.
- CC1IF flag is set (interrupt flag). CC1OF is also set if at least two consecutive captures occurred whereas the flag was not cleared.
- An interrupt is generated depending on the CC1IE bit.
- A DMA request is generated depending on the CC1DE bit.

In order to handle the overcapture, it is recommended to read the data before the overcapture flag. This is to avoid missing an overcapture which could happen after reading the flag and before reading the data.

Note: IC interrupt and/or DMA requests can be generated by software by setting the corresponding CCxG bit in the TIMx_EGR register.

17.3.7 Forced output mode

In output mode (CCxS bits = 00 in the TIMx_CCMRx register), each output compare signal (OCxREF and then OCx/OCxN) can be forced to active or inactive level directly by software, independently of any comparison between the output compare register and the counter.

To force an output compare signal (OCxREF/OCx) to its active level, 101 needs to be written in the OCxM bits in the corresponding TIMx_CCMRx register. Thus, OCxREF is forced high (OCxREF is always active high) and OCx gets an opposite value to CCxP polarity bit.

For example: CCxP=0 (OCx active high) => OCx is forced to high level.

The OCxREF signal can be forced low by writing the OCxM bits to 100 in the TIMx_CCMRx register.

Anyway, the comparison between the TIMx_CCRx shadow register and the counter is still performed and allows the flag to be set. Interrupt and DMA requests can be sent accordingly. This is described in the output compare mode section below.

17.3.8 Output compare mode

This function is used to control an output waveform or indicate when a period of time has elapsed.

When a match is found between the capture/compare register and the counter, the output compare function:

- Assigns the corresponding output pin to a programmable value defined by the output compare mode (OCxM bits in the TIMx_CCMRx register) and the output polarity (CCxP bit in the TIMx_CCER register). The output pin can keep its level (OCxM=0000), be set active (OCxM=0001), be set inactive (OCxM=0010) or can toggle (OCxM=0011) on match.
- Sets a flag in the interrupt status register (CCxIF bit in the TIMx_SR register).
- Generates an interrupt if the corresponding interrupt mask is set (CCXIE bit in the TIMx_DIER register).
- Sends a DMA request if the corresponding enable bit is set (CCxDE bit in the TIMx_DIER register, CCDS bit in the TIMx_CR2 register for the DMA request selection).

The TIMx_CCRx registers can be programmed with or without preload registers using the OCxPE bit in the TIMx_CCMRx register.

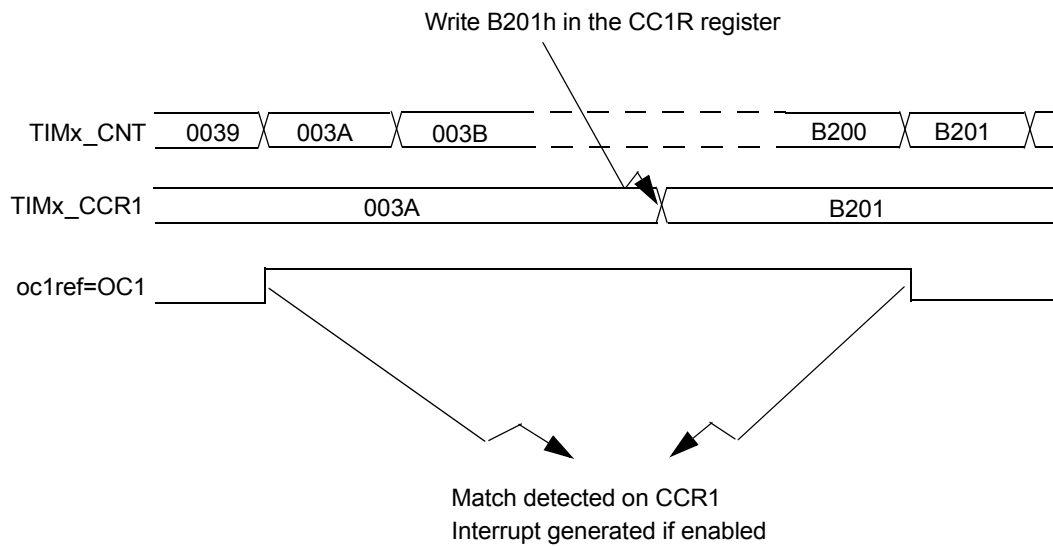
In output compare mode, the update event UEV has no effect on OCxREF and OCx output. The timing resolution is one count of the counter. Output compare mode can also be used to output a single pulse (in one-pulse mode).

Procedure:

1. Select the counter clock (internal, external, prescaler).
2. Write the desired data in the TIMx_ARR and TIMx_CCRx registers.
3. Set the CCxIE bit if an interrupt request is to be generated.
4. Select the output mode. For example:
 - a. Write OCxM = 0011 to toggle OCx output pin when CNT matches CCRx
 - b. Write OCxPE = 0 to disable preload register
 - c. Write CCxP = 0 to select active high polarity
 - d. Write CCxE = 1 to enable the output
5. Enable the counter by setting the CEN bit in the TIMx_CR1 register.

The TIMx_CCRx register can be updated at any time by software to control the output waveform, provided that the preload register is not enabled (OCxPE='0', otherwise the TIMx_CCRx shadow register is updated only at the next update event UEV). An example is given in [Figure 83. Output compare mode, toggle on OC1](#)

Figure 83. Output compare mode, toggle on OC1



17.3.9 PWM mode

Pulse width modulation mode allows the user to generate a signal with a frequency determined by the value of the TIMx_ARR register and a duty cycle determined by the value of the TIMx_CCRx register.

PWM mode can be selected independently on each channel (one PWM per OCx output) by writing '110' (PWM mode 1) or '111' (PWM mode 2) in the OCxM bits in the TIMx_CCMRx register. The user must enable the corresponding preload register by setting the OCxPE bit in the TIMx_CCMRx register, and eventually the auto-reload preload register (in up-counting or center-aligned modes) by setting the ARPE bit in the TIMx_CR1 register.

As the preload registers are transferred to the shadow registers only when an update event occurs, before starting the counter, all the registers must be initialized by setting the UG bit in the TIMx_EGR register.

OCx polarity is software programmable using the CCxP bit in the TIMx_CCER register. It can be programmed as active high or active low. OCx output is enabled by a combination of the CCxE, CCxNE, MOE, OSSI and OSSR bits (TIMx_CCER and TIMx_BDTR registers). Refer to the TIMx_CCER register description for more details.

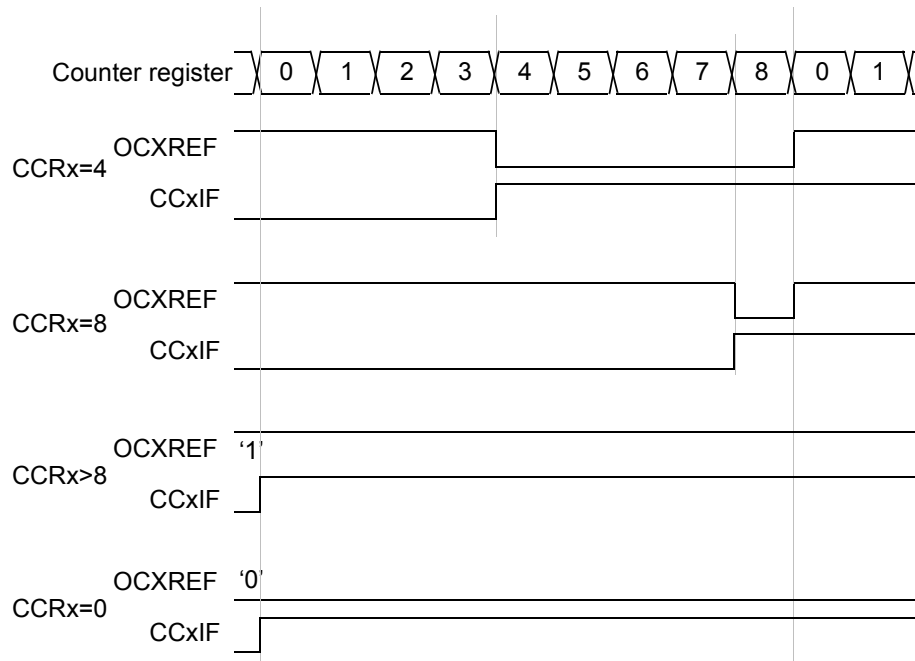
In PWM mode (1 or 2), TIMx_CNT and TIMx_CCRx are always compared to determine whether $TIMx_CCRx \leq TIMx_CNT$ or $TIMx_CNT \leq TIMx_CCRx$ (depending on the direction of the counter).

The TIM16/17 is able to upcount only. Refer to the up-counting mode.

In the following example, we consider PWM mode 1. The reference PWM signal OCxREF is high as long as $TIMx_CNT < TIMx_CCRx$, otherwise it becomes low. If the compare value in TIMx_CCRx is greater than the auto-reload value (in TIMx_ARR), then OCxREF is held at '1'. If the compare value is 0, then OCxRef is held at '0'.

Figure 84. Edge-aligned PWM waveforms (ARR=8) shows some edge-aligned PWM waveforms in an example where TIMx_ARR=8.

Figure 84. Edge-aligned PWM waveforms (ARR=8)



17.3.10 Complementary outputs and deadtime insertion

The TIM16/17 general-purpose timers can output one complementary signal and manage the switching-off and the switching-on instants of the outputs.

This time is generally known as the deadtime and it has to be adjusted depending on the devices connected to the outputs and their characteristics (intrinsic delays of level-shifters, delays due to power switches...).

The user can select the polarity of the outputs (main output OCx or complementary OCxN) independently for each output. This is done by writing to the CCxP and CCxNP bits in the TIMx_CCER register.

The complementary signals OCx and OCxN are activated by a combination of several control bits: the CCxE and CCxNE bits in the TIMx_CCER register and the MOE, OISx, OISxN, OSSI and OSSR bits in the TIMx_BDTR and TIMx_CR2 registers.

Refer to [Table 81. Output control bits for complementary OCx and OCxN channels with break feature](#) for more details. In particular, the deadtime is activated when switching to the idle-state (MOE falling down to 0).

The deadtime insertion is enabled by setting both CCxE and CCxNE bits, and the MOE bit if the break circuit is present. There is one 10-bit deadtime generator for each channel. From a reference waveform OCxREF, it generates 2 outputs OCx and OCxN. If OCx and OCxN are active high:

- The OCx output signal is the same as the reference signal except for the rising edge, which is delayed relative to the reference rising edge
- The OCxN output signal is the opposite of the reference signal except for the rising edge, which is delayed relative to the reference falling edge

If the delay is greater than the width of the active output (OCx or OCxN) then the corresponding pulse is not generated.

The following figures show the relationships between the output signals of the deadtime generator and the reference signal OCxREF (we suppose CCxP=0, CCxNP=0, MOE=1, CCxE=1 and CCxNE=1 in these examples).

Figure 85. Complementary output with deadtime insertion

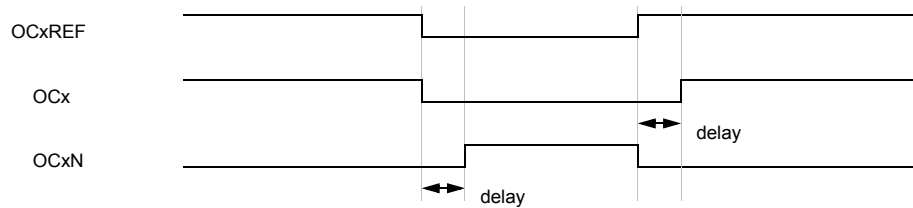


Figure 86. Deadtime waveforms with delay greater than the negative pulse

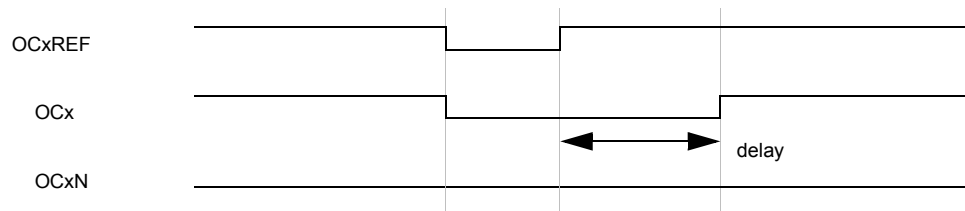
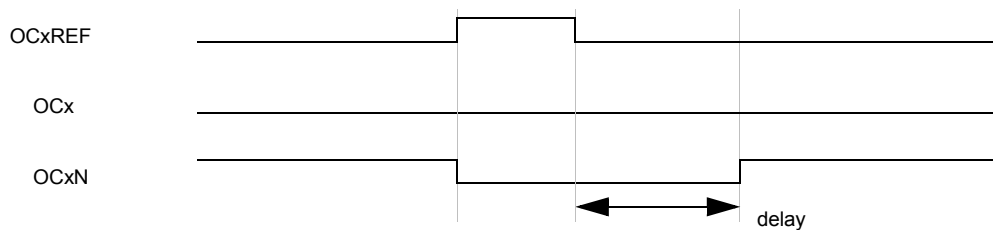


Figure 87. Deadtime waveforms with delay greater than the positive pulse



The deadtime delay is the same for each of the channels and is programmable with the DTG bits in the TIMx_BDTR register. Refer to [Section 17.4.13: TIM16/17 break and deadtime register \(TIMx_BDTR\)](#) for delay calculation.

Re-directing OCxREF to OCx or OCxN

In output mode (forced, output compare or PWM), OCxREF can be re-directed to the OCx output or to OCxN output by configuring the CCxE and CCxNE bits in the TIMx_CCER register.

This allows a specific waveform (such as PWM or static active level) to be sent on one output while the complementary remains in its inactive level. Other alternative possibilities are to have both outputs at inactive level or both outputs active and complementary with deadtime.

Note: When OCxN is enabled (CCxE=0, CCxNE=1) only, it is not complemented and becomes active as soon as OCxREF is high. For example, if CCxNP=0 then OCxN=OCxRef. On the other hand, when both OCx and OCxN are enabled (CCxE=CCxNE=1) OCx becomes active when OCxREF is high whereas OCxN is complemented and becomes active when OCxREF is low.

17.3.11 Using the break function

The purpose of the break function is to protect power switches driven by PWM signals generated with the TIM16/17 timers. The two break inputs are usually connected to fault outputs of power stages and 3-phase inverters. When activated, the break circuitry shuts down the PWM outputs and forces them to a predefined safe state.

When the break function is used, the output enable signals and inactive levels are modified according to additional control bits (MOE, OSSI and OSSR bits in the TIMx_BDTR register, OISx and OISxN bits in the TIMx_CR2 register). In any case, the OCx and OCxN outputs cannot be set both to active level at a given time. Refer to [Table 81. Output control bits for complementary OCx and OCxN channels with break feature](#) for more details.

When exiting from reset, the break circuit is disabled and the MOE bit is low. The user can enable the break function by setting the BKE and BKE2 bits in the TIMx_BDTR register. The break input global polarity can be selected by configuring the BKP bit in the same register. BKEx and BKP can be modified at the same time. When the BKEx and BKPx bits are written, a delay of 1 APB clock cycle is applied before the writing is effective. Consequently, it is necessary to wait for 1 APB clock period to correctly read back the bit after the write operation. Because MOE falling edge can be asynchronous, a resynchronization circuit has been inserted between the actual signal (acting on the outputs) and the synchronous control bit (accessed in the TIMx_BDTR register). It results in some delays between the asynchronous and the synchronous signals. In particular, if MOE is written to 1 whereas it was low, a delay (dummy instruction) must be inserted before reading it correctly. This is because the asynchronous signal is written and the synchronous signal is read.

The break is generated by the BRK inputs which have:

- Programmable polarity (BKP bit in the TIMx_BDTR register)
- Programmable enable bit (BKE bit in the TIMx_BDTR register)

Note: An asynchronous (clockless) operation is only guaranteed when the programmable filter is disabled.

When a break occurs (selected level on the break input):

- The MOE bit is cleared asynchronously, putting the outputs in inactive state, idle state or even releasing the control to the AFIO controller (selected by the OSS1 bit). This feature functions even if the MCU oscillator is off.
- Each output channel is driven with the level programmed in the OISx bit in the TIMx_CR2 register as soon as MOE=0. If OSS1=0, the timer releases the output control (taken over by the AFIO controller) or else the enable output remains high.
- When complementary outputs are used:
 - The outputs are first put in reset state, inactive state (depending on the polarity). This is done asynchronously so that it works even if no clock is provided to the timer.
 - If the timer clock is still present, then the deadtime generator is reactivated in order to drive the outputs with the level programmed in the OISx and OISxN bits after a deadtime. Even in this case, OCx and OCxN cannot be driven to their active level together. Note that because of the resynchronization on MOE, the deadtime duration is a bit longer than usual (around 2 ck_tim clock cycles).
 - If OSS1=0 then the timer releases the enable outputs (taken over by the AFIO controller which forces a Hi-Z state) or else the enable outputs remain or become high as soon as one of the CCxE or CCxNE bits is high.
- The break status flag (BIF bit in the TIMx_SR register) is set. An interrupt can be generated if the BIE bit in the TIMx_DIER register is set. A DMA request can be sent if the BDE bit in the TIMx_DIER register is set.
- If the AOE bit in the TIMx_BDTR register is set, the MOE bit is automatically set again at the next update event UEV. This can be used to perform a regulation, for instance. Otherwise, MOE remains low until it is written to '1' again. In this case, it can be used for security and the break input can be connected to an alarm from power drivers, thermal sensors or any security components.

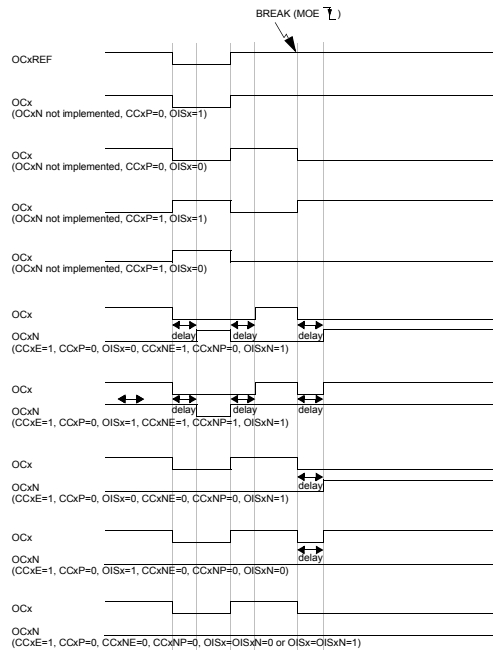
Note: The break inputs is acting on level. Thus, the MOE cannot be set while the break input is active (neither automatically nor by software). In the meantime, the status flag BIF cannot be cleared.

The break can be generated by the BRK input which has a programmable polarity and an enable bit BKE in the TIMx_BDTR register.

In addition to the break input and the output management, a write protection has been implemented inside the break circuit to safeguard the application. It allows the user to freeze the configuration of several parameters (deadtime duration, OCx/OCxN polarities and state when disabled, OCxM configurations, break enable and polarity). The user can choose from 3 levels of protection selected by the LOCK bits in the TIMx_BDTR register. Refer to TIM16&TIM17 break and deadtime register (TIMx_BDTR). The LOCK bits can be written only once after an MCU reset.

The figure below shows an example of behavior of the outputs in response to a break.

Figure 88. Various output behavior in response to a break event on BRK (OSSI = 1)



17.3.12 Bidirectional break inputs

The TIM16/TIM17 feature bidirectional break I/Os, as represented in Figure 89. Output redirection.

They allow:

- A board-level global break signal available for signaling faults to external MCUs or gate drivers, with a unique pin being both an input and an output status pin
- Internal break sources and multiple external open drain comparator outputs ORed together to trigger a unique break event, when multiple internal and external break sources must be merged

The break input is configured in bidirectional mode using the BKBID bit in the TIMxBDTR register. The BKBID programming bit can be locked in read-only mode using the LOCK bits in the TIMxBDTR register (in LOCK level 1 or above).

The bidirectional mode requires the I/O to be configured in open-drain mode with active low polarity (using BKINP and BKP bits). Any break request coming from break inputs forces a low level on the break input to signal the fault event. The bidirectional mode is inhibited if the polarity bits are not correctly set (active high polarity), for safety purposes.

The break software event (BG) also causes the break I/O to be forced to '0' to indicate to the external components that the timer has entered in break state. However, this is valid only if the break is enabled (BKE = 1). When a software break event is generated with BKE = 0, the outputs are put in safe state and the break flag is set, but there is no effect on the break I/O.

A safe disarming mechanism prevents the system from being definitively locked-up (a low level on the break input triggers a break which enforces a low level on the same input).

When the BKDSRM bit is set to 1, this releases the break output to clear a fault signal and to give the possibility to re-arm the system.

At no point can the break protection circuitry be disabled:

- The break input path is always active: a break event is active even if the BKDSRM bit is set and the open drain control is released. This prevents the PWM output from re-starting as long as the break condition is present.
- The BKDSRM bit cannot disarm the break protection as long as the outputs are enabled (MOE bit is set).

See the table below:

Table 80. Break protection disarming conditions

| MOE | BKDIR | BKDSRM | Break protection state |
|-----|-------|--------|------------------------|
| 0 | 0 | X | Armed |
| 0 | 1 | 0 | Armed |
| 0 | 1 | 1 | Disarmed |
| 1 | X | X | Armed |

Arming and re-arming break circuitry

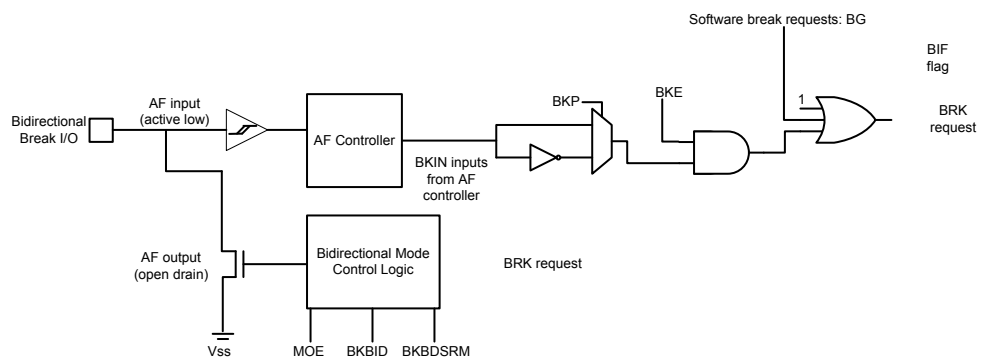
The break circuitry (in input or bidirectional mode) is armed by default (peripheral reset configuration).

The following procedure must be followed to re-arm the protection after a break event:

- The BKDSRM bit must be set to release the output control
- The software must poll the BKDSRM bit until it is cleared by hardware (when the application break condition disappears)

From this point, the break circuitry is armed and active, and the MOE bit can be set to reenable the PWM outputs.

Figure 89. Output redirection



17.3.13 One-pulse mode

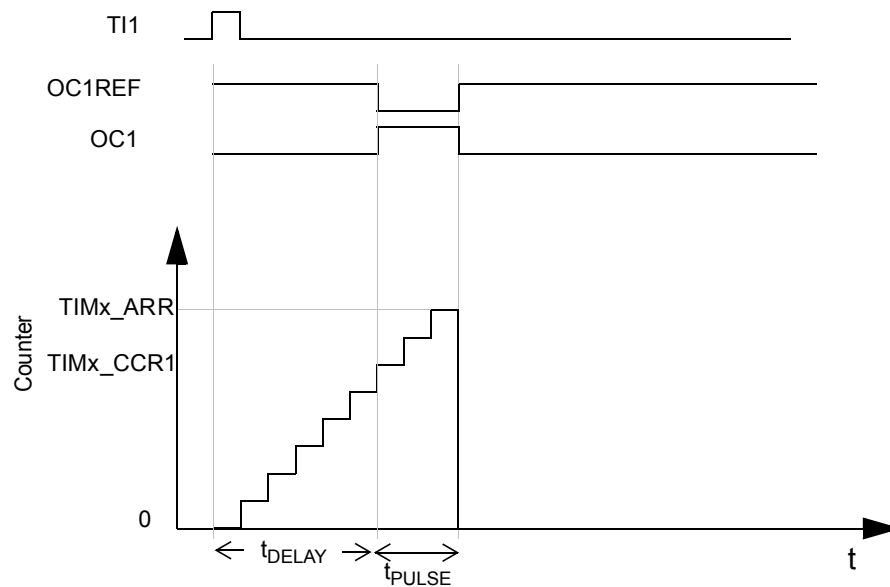
One-pulse mode (OPM) is a particular case of the previous modes. It allows the counter to be started in response to a stimulus and to generate a pulse with a programmable length after a programmable delay.

The waveform can be generated in output compare mode or PWM mode. The user selects one-pulse mode by setting the OPM bit in the TIMx_CR1 register. This makes the counter stop automatically at the next update event UEV.

A pulse can be correctly generated only if the compare value is different from the counter initial value. Before starting, the configuration must be:

- $CNT < CCRx \leq ARR$ (in particular, $0 < CCRx$)

Figure 90. Example of one-pulse mode



For example, the user may want to generate a positive pulse on OC1 with a length of t_{PULSE} and after a delay of t_{DELAY} .

The OPM waveform is defined by writing the compare registers (taking into account the clock frequency and the counter prescaler).

- The t_{DELAY} is defined by the value written in the TIMx_CCR1 register
- The t_{PULSE} is defined by the difference between the auto-reload value and the compare value (TIMx_ARR - TIMx_CCR1)
- Target: to build a waveform with a transition from '0' to '1' when a compare match occurs and a transition from '1' to '0' when the counter reaches the auto-reload value. To do this, enable PWM mode 2 by writing OC1M=111 in the TIMx_CCMR1 register. The user can optionally enable the preload registers by writing OC1PE='1' in the TIMx_CCMR1 register and ARPE in the TIMx_CR1 register. In this case the compare value must be written in the TIMx_CCR1 register, the auto-reload value in the TIMx_ARR register. Generate an update by setting the UG bit and wait for external trigger event on TI1. CC1P is written to '0' in this example.

Only 1 pulse is wanted, so write '1' in the OPM bit in the TIMx_CR1 register to stop the counter at the next update event (when the counter rolls over from the auto-reload value back to 0).

Particular case: OCx fast enable:

In one-pulse mode, the edge detection on TIx input sets the CEN bit, which enables the counter. Then the comparison between the counter and the compare value makes the output toggle. Several clock cycles are needed for these operations. The minimum delay t_{DELAY} is the minimum we can get.

If it is necessary to output a waveform with the minimum delay, the user can set the OCxFE bit in the TIMx_CCMRx register. Then OCxRef (and OCx) is forced in response to the stimulus, without taking the comparison into account. Its new level is the same as if a compare match had occurred. OCxFE acts only if the channel is configured in PWM1 or PWM2 mode.

17.3.14 UIF bit remapping

The IUFREMAP bit in the TIMx_CR1 register forces a continuous copy of the update interrupt flag UIF into the timer counter register bit 31 (TIMxCNT[31]). This allows both the counter value and a potential roll-over condition signaled by the UIFCPY flag to be read in an atomic way. In particular cases, it can ease the calculations by avoiding race conditions, caused for instance by a processing shared between a background task (counter reading) and an interrupt (update interrupt). There is no latency between the UIF and UIFCPY flags assertion.

17.3.15 DMA burst mode

The TIMx timers have the capability to generate multiple DMA requests on a single event.

The main purpose is to be able to re-program several timer registers multiple times without software overhead, but it can also be used to read several registers in a row, at regular intervals.

The DMA controller destination is unique and must point to the virtual register TIMx_DMAR.

On a given timer event, the timer launches a sequence of DMA requests (burst). Each write into the TIMx_DMAR register is actually redirected to one of the timer registers.

The DBL[4:0] bits in the TIMx_DCR register set the DMA burst length. The timer recognizes a burst transfer when a read or a write access is done to the TIMx_DMAR address, i.e. the number of transfers (either in half-words or in bytes).

The DBA[4:0] bits in the TIMx_DCR registers define the DMA base address for DMA transfers (when read/write access are done through the TIMx_DMAR address). DBA is defined as an offset starting from the address of the TIMx_CR1 register.

Example:

00000: TIMx_CR1

00001: TIMx_CR2

For example, the timer DMA burst feature could be used to update the contents of the CCRx registers (x = 2, 3, 4) on an update event, with the DMA transferring half words into the CCRx registers.

This is done in the following steps:

1. Configure the corresponding DMA channel as follows:
 - a. DMA channel peripheral address is the DMAR register address
 - b. DMA channel memory address is the address of the buffer in the RAM containing the data to be transferred by DMA into the CCRx registers
 - c. Number of data to transfer = 3
 - d. Circular mode disabled
2. Configure the DCR register by configuring the DBA and DBL bit fields as follows: DBL = 3 transfers, DBA = 0xE
3. Enable the TIMx update DMA request (set the UDE bit in the DIER register)
4. Enable TIMx
5. Enable the DMA channel

This example is for the case where every CCRx register is to be updated once. If every CCRx register is to be updated twice for example, the number of data to transfer should be 6. We can take the example of a buffer in the RAM containing data1, data2, data3, data4, data5 and data6. The data is transferred to the CCRx registers as follows: on the first update DMA request, data1 is transferred to CCR2, data2 is transferred to CCR3, data3 is transferred to CCR4 and on the second update DMA request, data4 is transferred to CCR2, data5 is transferred to CCR3 and data6 is transferred to CCR4.

17.4 TIM16/17 registers

Refer to [Section 1.2: List of abbreviations for registers](#) for a list of abbreviations used in register descriptions.

17.4.1 TIM16/17 control register 1 (TIMx_CR1)

Address offset: 0x04

Reset value: 0x0000

| | | | | | | | | | | | | | | | |
|------|------|------|------|----------|------|----------|------|------|------|------|------|------|------|------|------|
| 31 | 30 | 29 | 28 | 27 | 26 | 25 | 24 | 23 | 22 | 21 | 20 | 19 | 18 | 17 | 16 |
| Res. | Res. | Res. | Res. | Res. | Res. | Res. | Res. | Res. | Res. | Res. | Res. | Res. | Res. | Res. | Res. |
| 15 | 14 | 13 | 12 | 11 | 10 | 9 | 8 | 7 | 6 | 5 | 4 | 3 | 2 | 1 | 0 |
| Res. | Res. | Res. | Res. | UIFREMAP | Res. | CKD[1:0] | ARPE | Res. | Res. | Res. | OPM | URS | UDIS | CEN | |
| | | | | rw | | rw | rw | rw | | | | rw | rw | rw | rw |

| | |
|------------|---|
| Bits 15:12 | Reserved, must be kept at reset value. |
| Bit 11 | UIFREMAP: UIF status bit remapping 0: No remapping. UIF status bit is not copied to TIMx_CNT register bit 31 1: Remapping enabled. UIF status bit is copied to TIMx_CNT register bit 31 |
| Bits 10 | Reserved, must be kept at reset value. |
| Bit 9:8 | CKD[1:0]: Clock division This bit-field indicates the division ratio between the timer clock (CK_INT) frequency and the dead-time and sampling clock (tDTS) used by the dead-time generators and the digital filters (TIx), 00: $t_{DTS} = t_{CK_INT}$ 01: $t_{DTS} = 2 * t_{CK_INT}$ 10: $t_{DTS} = 4 * t_{CK_INT}$ 11: Reserved, do not program this value |
| Bit 7 | ARPE: Auto-reload preload enable 0: TIMx_ARR register is not buffered 1: TIMx_ARR register is buffered |
| Bit 6:4 | Reserved, must be kept at reset value |
| Bit 3 | OPM: One pulse mode 0: Counter is not stopped at update event <input type="checkbox"/> 1: Counter stops counting at the next update event (clearing the bit CEN) |
| Bit 2 | URS: Update request source This bit is set and cleared by software to select the UEV event sources. 0: Any of the following events generate an update interrupt or DMA request if enabled. These events can be: <ul style="list-style-type: none"> • Counter overflow/underflow • Setting the UG bit • Update generation through the slave mode controller 1: Only counter overflow/underflow generates an update interrupt or DMA request if enabled. |
| Bit 1 | UDIS: Update disable This bit is set and cleared by software to enable/disable UEV event generation. 0: UEV enabled. The Update (UEV) event is generated by one of the following events: <ul style="list-style-type: none"> • Counter overflow/underflow • Setting the UG bit • Update generation through the slave mode controller Buffered registers are then loaded with their preload values. |

| | |
|-------|---|
| | <p>1: UEV disabled. The Update event is not generated, shadow registers keep their value (ARR, PSC, CCRx). However the counter and the prescaler are reinitialized if the UG bit is set or if a hardware reset is received from the slave mode controller.</p> |
| Bit 0 | <p>CEN: Counter enable</p> <p>0: Counter disabled</p> <p>1: Counter enabled</p> <p>Note: External clock and gated mode can work only if the CEN bit has been previously set by software. However trigger mode can set the CEN bit automatically by hardware.</p> |

17.4.2 TIM16/17 control register 2 (TIMx_CR2)

Address offset: 0x04

Reset value: 0x0000

| | | | | | | | | | | | | | | | |
|------|------|------|------|------|------|-------|------|------|------|------|------|------|------|------|------|
| 15 | 14 | 13 | 12 | 11 | 10 | 9 | 8 | 7 | 6 | 5 | 4 | 3 | 2 | 1 | 0 |
| Res. | Res. | Res. | Res. | Res. | Res. | OIS1N | OIS1 | Res. | Res. | Res. | Res. | CCDS | CCUS | Res. | CCPC |
| | | | | | | rw | rw | | | | | rw | rw | | rw |

| | |
|------------|---|
| Bits 15:10 | Reserved, must be kept at reset value. |
| Bit 9 | OIS1N : Output Idle state 1 (OC1N output) 0: OC1N=0 after a dead-time when MOE=0 1: OC1N=1 after a dead-time when MOE=0 Note: This bit can not be modified as long as LOCK level 1, 2 or 3 has been programmed (LOCK bits in TIMx_BKR register). |
| Bits 8 | OIS1 : Output Idle state 1 (OC1 output) 0: OC1N=0 after a dead-time if OC1N is implemented) when MOE=0 1: OC1=1 after a dead-time if OC1N is implemented) when MOE=0 Note: This bit can not be modified as long as LOCK level 1, 2 or 3 has been programmed (LOCK bits in TIMx_BKR register). |
| Bit 7:4 | Reserved, must be kept at reset value |
| Bit 3 | CCDS : Capture/compare DMA selection 0: CCx DMA request sent when CCx event occurs <input type="checkbox"/> 1: CCx DMA requests sent when update event occurs |
| Bit 2 | CCUS : Capture/compare control update selection 0: When capture/compare control bits are preloaded (CCPC=1), they are updated by setting the COMG bit only 1: When capture/compare control bits are preloaded (CCPC=1), they are updated by setting the COMG bit only. Note: This bit acts only on channels that have a complementary output. |
| Bit 1 | Reserved, must be kept at reset value |
| Bit 0 | CCPC : Capture/compare preloaded control 0: CCxE, CCxNE and OCxM bits are not preloaded <input type="checkbox"/> 1: CCxE, CCxNE and OCxM bits are preloaded, after having been written, they are updated only when COM bit is set. Note: This bit acts only on channels that have a complementary output. |

17.4.3 TIM16/17 DMA/interrupt enable register (TIMx_DIER)

Address offset: 0x0C

Reset value: 0x0000

| | | | | | | | | | | | | | | | |
|------|------|------|------|------|------|-------|-----|-----|------|-------|------|------|------|-------|-----|
| 15 | 14 | 13 | 12 | 11 | 10 | 9 | 8 | 7 | 6 | 5 | 4 | 3 | 2 | 1 | 0 |
| Res. | Res. | Res. | Res. | Res. | Res. | CC1DE | UDE | BIE | Res. | COMIE | Res. | Res. | Res. | CC1IE | UIE |
| | | | | | | rw | rw | rw | | rw | | | | rw | rw |

| | |
|------------|--|
| Bits 15:13 | Reserved, must be kept at reset value. |
| Bit 12:10 | Reserved, must be kept at reset value. |
| Bit 9 | CC1DE : Capture/compare 1 DMA request enable 0: CC1 DMA request disabled 1: CC1 DMA request enabled |
| Bit 8 | UDE : update DMA request enable 0: Update DMA request disabled 1: Update DMA request enabled |
| Bit 7 | BIE : Break interrupt enable 0: Break interrupt disabled 1: Break interrupt enabled |
| Bit 6 | Reserved, must be kept at reset value |
| Bit 5 | COMIE : COM interrupt enable 0: COM interrupt disabled 1: COM interrupt enabled |
| Bit 4:2 | Reserved, must be kept at reset value |
| Bit 1 | CCIE : Capture/Compare 1 interrupt enable 0: CC1 interrupt disabled 1: CC1 interrupt enabled |
| Bit 0 | UIE : Update interrupt enable 0: Update interrupt disabled 1: Update interrupt enabled |

17.4.4 TIM16/17 status register (TIMx_SR)

Address offset: 0x10

Reset value: 0x0000

| | | | | | | | | | | | | | | | |
|------|------|------|------|------|------|-------|------|-------|------|-------|------|------|------|-------|-------|
| 15 | 14 | 13 | 12 | 11 | 10 | 9 | 8 | 7 | 6 | 5 | 4 | 3 | 2 | 1 | 0 |
| Res. | Res. | Res. | Res. | Res. | Res. | CC10F | Res. | BIF | Res. | COMIF | Res. | Res. | Res. | CC1IF | UIF |
| | | | | | | rc_w0 | | rc_w0 | | rc_w0 | | | | rc_w0 | rc_w0 |

| | |
|------------|---|
| Bits 15:10 | Reserved, always read as 0. |
| Bit 9 | <p>CC10F: Capture/compare 1 overcapture flag.</p> <p>This flag is set by hardware only when the corresponding channel is configured in input capture mode. It is cleared by software by writing it to '0'.</p> <p>0: No overcapture has been detected</p> <p>1: The counter value has been captured in TIMx_CCR1 register while CC1IF flag was already set</p> |
| Bit 8 | Reserved, must be kept at reset value |
| Bit 7 | <p>BIF: Break interrupt flag.</p> <p>This flag is set by hardware as soon as the break input goes active. It can be cleared by software if the break input is not active.</p> <p>0: No break event occurred</p> <p>1: An active level has been detected on the break input</p> |
| Bit 6 | Reserved, must be kept at reset value |
| Bit 5 | <p>COMIF:</p> <p>COM interrupt flag This flag is set by hardware on a COM event (once the capture/compare control bits –CCxE, CCxNE, OCxM– have been updated). It is cleared by software.</p> <p>0: No COM event occurred</p> <p>1: COM interrupt pending</p> |
| Bit 4:2 | Reserved, must be kept at reset value. |
| Bit 1 | <p>CC1IF: Capture/compare 1 interrupt flag.</p> <p>If channel CC1 is configured as output:</p> <p>This flag is set by hardware when the counter matches the compare value, with some exception in center-aligned mode (refer to the CMS bits in the TIMx_CR1 register description). It is cleared by software.</p> <p>0: No match</p> <p>1: The content of the counter TIMx_CNT matches the content of the TIMx_CCR1 register. When the contents of TIMx_CCR1 are greater than the contents of TIMx_ARR, the CC1IF bit goes high on the counter overflow (in up-counting and up/down-counting modes) or underflow (in down-counting mode).</p> <p>If channel CC1 is configured as input:</p> <p>This bit is set by hardware on a capture. It is cleared by software or by reading the TIMx_CCR1 register.</p> <p>0: No input capture occurred</p> <p>1: The counter value has been captured in TIMx_CCR1 register (an edge has been detected on IC1 which matches the selected polarity)</p> |
| Bit 0 | <p>UIF: Update interrupt flag.</p> <p>This bit is set by hardware on an update event. It is cleared by software.</p> <p>0: No update occurred</p> <p>1: Update interrupt pending. This bit is set by hardware when the registers are updated:</p> <ul style="list-style-type: none"> At overflow regarding the repetition counter value (update if repetition counter = 0) and if the UDIS=0 in the TIMx_CR1 register. When CNT is reinitialized by software using the UG bit in TIMx_EGR register, if URS=0 and UDIS=0 in the TIMx_CR1 register. |

17.4.5 TIM16 and 17 event generation register (TIMx_EGR)

Address offset: 0x14

Reset value: 0x0000

| | | | | | | | | | | | | | | | |
|----|----|----|----|----|----|---|---|----|---|------|---|---|---|------|----|
| 15 | 14 | 13 | 12 | 11 | 10 | 9 | 8 | 7 | 6 | 5 | 4 | 3 | 2 | 1 | 0 |
| | | | | | | | | BG | | COMG | | | | CC1G | UG |
| | | | | | | | | w | | w | | | | w | w |

| | |
|-----------|--|
| Bits 15:8 | Reserved, must be kept at reset value |
| Bit 7 | <p>BG: Break generation</p> <p>This bit is set by software in order to generate an event, it is automatically cleared by hardware. □</p> <p>0: No action.</p> <p>1: A break event is generated. MOE bit is cleared and BIF flag is set. Related interrupt or DMA transfer can occur if enabled</p> |
| Bit 6 | Reserved, must be kept at reset value |
| Bit 5 | <p>COMG: Capture/Compare control update generation.</p> <p>This bit can be set by software, it is automatically cleared by hardware.</p> <p>0: No action</p> <p>1: When the CCPC bit is set, it is possible to update the CCxE, CCxNE and OCxM bits.</p> <p>Note: This bit acts only on channels that have a complementary output.</p> |
| Bits 4:2 | Reserved, must be kept at reset value |
| Bit 1 | <p>CC1G: Capture/Compare 1 generation</p> <p>This bit is set by software in order to generate an event, it is automatically cleared by hardware. □</p> <p>0: No action.</p> <p>1: A capture/compare event is generated on channel 1: if channel CC1 is configured as output: CC1IF flag is set. Corresponding interrupt or DMA request is sent if enabled.</p> <p>If channel CC1 is configured as input.</p> <p>The current value of the counter is captured in TIMx_CCR1 register. The CC1IF flag is set, the corresponding interrupt or DMA request is sent if enabled. The CC1OF flag is set if the CC1IF flag was already high.</p> |
| Bit 0 | <p>UG: Update generation</p> <p>This bit can be set by software, it is automatically cleared by hardware.</p> <p>0: No action.</p> <p>1: Reinitialize the counter and generates an update of the registers.</p> <p>Note that the prescaler counter is cleared too (anyway the prescaler ratio is not affected).</p> |

17.4.6 TIM16/17 capture/compare mode register 1 (TIMx_CCMR1)

Address offset: 0x18

Reset value: 0x0000

The channels can be used in input (capture mode) or in output (compare mode). The direction of a channel is defined by configuring the corresponding CCxS bits. All the other bits of this register have a different function in input and in output mode. For a given bit, OCxx describes its function when the channel is configured in output, ICxx describes its function when the channel is configured in input. So you must take care that the same bit can have a different meaning for the input stage and for the output stage.

| | | | | | | | | | | | | | | | |
|------|------|------|------|------|------|------|------|------|-----------|------|------|-------------|-------|-----------|---------|
| 31 | 30 | 29 | 28 | 27 | 26 | 25 | 24 | 23 | 22 | 21 | 20 | 19 | 18 | 17 | 16 |
| Res. | Res. | Res. | Res. | Res. | Res. | Res. | Res. | Res. | Res. | Res. | Res. | Res. | Res. | Res. | OC1M[3] |
| | | | | | | | | | | | | | | | Res. |
| | | | | | | | | | | | | | | | rw |
| 15 | 14 | 13 | 12 | 11 | 10 | 9 | 8 | 7 | 6 | 5 | 4 | 3 | 2 | 1 | 0 |
| Res. | Res. | Res. | Res. | Res. | Res. | Res. | Res. | Res. | OC1M[2:0] | | | OC1PE | OC1FE | CC1S[1:0] | |
| | | | | | | | | | IC1F[3:0] | | | IC1PSC[1:0] | | | |
| | | | | | | | | rw | rw | rw | rw | rw | rw | rw | rw |

Output compare mode:

| | |
|------------|---|
| Bits 31:17 | Reserved, always read as 0. |
| Bit 6 | OC1M[3] : Output compare 1 mode - bit 3 |
| Bits 6:4 | <p>OC1M[2:0]: Output compare 1 mode (bits 2 to 0)</p> <p>These bits define the behavior of the output reference signal OC1REF from which OC1 and OC1N are derived. OC1REF is active high whereas OC1 and OC1N active level depends on CC1P and CC1NP bits.</p> <p>0000: Frozen - the comparison between the output compare register TIMx_CCR1 and the counter TIMx_CNT has no effect on the outputs.</p> <p>0001: Set channel 1 to active level on match. OC1REF signal is forced high when the counter TIMx_CNT matches the capture/compare register 1 (TIMx_CCR1).</p> <p>0010: Set channel 1 to inactive level on match. OC1REF signal is forced low when the counter TIMx_CNT matches the capture/compare register 1 (TIMx_CCR1).</p> <p>0011: Toggle - OC1REF toggles when TIMx_CNT=TIMx_CCR1.</p> <p>0100: Force inactive level - OC1REF is forced low.</p> <p>0101: Force active level - OC1REF is forced high.</p> <p>0110: PWM mode 1 - Channel 1 is active as long as TIMx_CNT<TIMx_CCR1 else inactive</p> <p>0111: PWM mode 2 - Channel 1 is inactive as long as TIMx_CNT<TIMx_CCR1 else active</p> <p>All other values: Reserved</p> <p>Note 1: These bits cannot be modified as long as LOCK level 3 has been programmed (LOCK bits in TIMx_BDTR register) and CC1S='00' (the channel is configured in output).</p> <p>Note 2: In PWM mode, the OCREF level changes only when the result of the comparison changes or when the output compare mode switches from "frozen" mode to "PWM" mode.</p> |
| Bit 3 | <p>OC1PE: Output compare 1 preload enable</p> <p>0: Preload register on TIMx_CCR1 disabled. TIMx_CCR1 can be written at anytime, the new value is taken into account immediately.</p> <p>1: Preload register on TIMx_CCR1 enabled. Read/write operations access the preload register. TIMx_CCR1 preload value is loaded in the active register at each update event.</p> <p>Note 1: These bits cannot be modified as long as LOCK level 3 has been programmed (LOCK bits in TIMx_BDTR register) and CC1S='00' (the channel is configured in output).</p> <p>Note 2: The PWM mode can be used without validating the preload register only in one-pulse mode (OPM bit set in TIMx_CR1 register). Otherwise the behavior is not guaranteed.</p> |

| | |
|----------|--|
| Bit 2 | <p>OC1FE: Output compare 1 fast enable</p> <p>This bit is used to accelerate the effect of an event on the trigger in input on the CC output.</p> <p>0: CC1 behaves normally depending on counter and CCR1 values even when the trigger is ON. The minimum delay to activate CC1 output when an edge occurs on the trigger input is 5 clock cycles.</p> <p>1: An active edge on the trigger input acts like a compare match on CC1 output. Then, OC is set to the compare level independently from the result of the comparison. Delay to sample the trigger input and to activate CC1 output is reduced to 3 clock cycles. OCFE acts only if the channel is configured in PWM1 or PWM2 mode.</p> |
| Bits 1:0 | <p>CC1S: Capture/compare 1 selection.</p> <p>This bit-field defines the direction of the channel (input/output) as well as the used input.</p> <p>00: CC1 channel is configured as output</p> <p>01: CC1 channel is configured as input, IC1 is mapped on TI1</p> <p>10: CC1 channel is configured as input, IC1 is mapped on TI2</p> <p>11: Reserved</p> <p>Note: CC1S bits are writable only when the channel is OFF (CC1E = '0' in TIMx_CCER).</p> |

Input capture mode

| | |
|-----------|---|
| Bits 31:8 | Reserved, always read as 0. |
| Bits 7:4 | <p>IC1F[3:0]: Input capture 1 filter.</p> <p>This bit-field defines the frequency used to sample TI1 input and the length of the digital filter applied to TI1. The digital filter is made of an event counter in which N events are needed to validate a transition on the output:</p> <p>0000: No filter, sampling is done at f_{DTS}</p> <p>0001: $f_{SAMPLING}=f_{CK_INT}$, N=2</p> <p>0010: $f_{SAMPLING}=f_{CK_INT}$, N=4</p> <p>0011: $f_{SAMPLING}=f_{CK_INT}$, N=8</p> <p>0100: $f_{SAMPLING}=f_{DTS}/2$, N=6</p> <p>0101: $f_{SAMPLING}=f_{DTS}/2$, N=8</p> <p>0110: $f_{SAMPLING}=f_{DTS}/4$, N=6</p> <p>0111: $f_{SAMPLING}=f_{DTS}/4$, N=8</p> <p>1000: $f_{SAMPLING}=f_{DTS}/8$, N=6</p> <p>1001: $f_{SAMPLING}=f_{DTS}/8$, N=8</p> <p>1010: $f_{SAMPLING}=f_{DTS}/16$, N=5</p> <p>1011: $f_{SAMPLING}=f_{DTS}/16$, N=6</p> <p>1100: $f_{SAMPLING}=f_{DTS}/16$, N=8</p> <p>1101: $f_{SAMPLING}=f_{DTS}/32$, N=5</p> <p>1110: $f_{SAMPLING}=f_{DTS}/32$, N=6</p> <p>1111: $f_{SAMPLING}=f_{DTS}/32$, N=8</p> |
| Bits 3:2 | <p>IC1PSC: Input capture 1 prescaler.</p> <p>This bit-field defines the ratio of the prescaler acting on CC1 input (IC1). The prescaler is reset as soon as CC1E='0' (TIMx_CCER register).</p> <p>00: No prescaler, capture is done each time an edge is detected on the capture input</p> <p>01: Capture is done once every 2 events</p> <p>10: Capture is done once every 4 events</p> <p>11: Capture is done once every 8 events</p> |
| Bits 1:0 | <p>CC1S: Capture/compare 1 selection</p> <p>This bit-field defines the direction of the channel (input/output) as well as the used input.</p> |

00: CC1 channel is configured as output

01: CC1 channel is configured as input, IC1 is mapped on TI1

10: CC1 channel is configured as input, IC1 is mapped on TI2

11: Reserved.

Note: CC1S bits are writable only when the channel is OFF (CC1E = '0' in TIMx_CCER).

17.4.7 TIM16/17 capture/compare enable register (TIMx_CCER)

Address offset: 0x20

Reset value: 0x0000

| | | | | | | | | | | | | | | | |
|------|------|------|------|------|------|------|------|------|------|------|------|-------|-------|------|------|
| 15 | 14 | 13 | 12 | 11 | 10 | 9 | 8 | 7 | 6 | 5 | 4 | 3 | 2 | 1 | 0 |
| Res. | Res. | Res. | Res. | Res. | Res. | Res. | Res. | Res. | Res. | Res. | Res. | CC1NP | CC1NE | CC1P | CC1E |
| | | | | | | | | | | | | rw | rw | rw | rw |

| | |
|-----------|---|
| Bits 15:4 | Reserved, always read as 0. |
| Bit 3 | <p>CC1NP: Capture/compare 1 output polarity.</p> <p>CC1 channel configured as output:</p> <p>0: OC1N active high</p> <p>1: OC1N active low</p> <p>CC1 channel configured as input:</p> <p>This bit is used in conjunction with CC1P to define the polarity of TI1FP1 and TI2FP1. Refer to the description of CC1P.</p> <p>Note 1. This bit is not writable as soon as LOCK level 2 or 3 has been programmed (LOCK bits in TIMx_BDTR register) and CC1S="00" (the channel is configured in output). 2. On channels that have a complementary output, this bit is preloaded. If the CCPC bit is set in the TIMx_CR2 register then the CC1NP active bit takes the new value from the preloaded bit only when a commutation event is generated.</p> |
| Bit 2 | <p>CC1NE: Capture/compare 1 output enable</p> <p>0: Off - OC1N is not active. OC1N level is then function of MOE, OSSI, OSSR, OIS1, OIS1N and CC1E bits</p> <p>1: On - OC1N signal is output on the corresponding output pin depending on MOE, OSSI, OSSR, OIS1, OIS1N and CC1E bits.</p> |
| Bit 1 | <p>CC1P: Capture/compare 1 output polarity.</p> <p>CC1 channel configured as output:</p> <p>0: OC1 active high</p> <p>1: OC1 active low</p> <p>CC1 channel configured as input:</p> <p>The CC1NP/CC1P bits select the polarity of TI1FP1 and TI2FP1 for trigger or capture operations.</p> <p>00: Non-inverted/rising edge. The circuit is sensitive to TlxFP1 rising edge (capture or trigger operations in reset, external clock or trigger mode), TlxFP1 is not inverted (trigger operation in gated mode).</p> <p>01: Inverted/falling edge. The circuit is sensitive to TlxFP1 falling edge (capture or trigger operations in reset, external clock or trigger mode), TlxFP1 is inverted (trigger operation in gated mode).</p> <p>10: Reserved, do not use this configuration.</p> <p>11: Non-inverted/both edges. The circuit is sensitive to both TlxFP1 rising and falling edges (capture or trigger operations in reset, external clock or trigger mode), TlxFP1 is not inverted (trigger operation in gated mode).</p> <p>Notes: 1. This bit is not writable as soon as LOCK level 2 or 3 has been programmed (LOCK bits in TIMx_BDTR register).</p> <p>2. On channels that have a complementary output, this bit is preloaded. If the CCPC bit is set in the TIMx_CR2 register then the CC1P active bit takes the new value from the preloaded bit only when a Commutation event is generated.</p> |
| Bit 0 | <p>CC1E: Capture/Compare 1 output enable</p> <p>CC1 channel configured as output:</p> <p>0: Off - OC1 is not active. OC1 level is then function of MOE, OSSI, OSSR, OIS1, OIS1N and CC1NE bits. □</p> <p>1: On - OC1 signal is output on the corresponding output pin depending on MOE, OSSI, OSSR, OIS1, OIS1N and CC1NE bits.</p> <p>CC1 channel configured as input:</p> <p>This bit determines if a capture of the counter value can actually be done into the input capture/compare register 1 (TIMx_CCR1) or not.</p> |

| |
|---------------------|
| 0: Capture disabled |
| 1: Capture enabled |

Table 81. Output control bits for complementary OCx and OCxN channels with break feature

| Control bits | | | | | Output states ⁽¹⁾ | |
|--------------|----------|----------|----------|-----------|--|---|
| MOEbit | OSSI bit | OSSR bit | CCxE bit | CCxNE bit | OCx output state | OCxN output state |
| 1 | X | X | 0 | 0 | Output disabled (not driven by the timer: Hi-Z) OCx=0 OCxN=0, OCxN_EN=0 | |
| | | 0 | 0 | 1 | Output disabled (not driven by the timer: Hi-Z) OCx=0 | OCxREF +polarity OCxN=OCxREF XORCCxNP |
| | | 0 | 1 | 0 | OCxREF +polarity OCx=OCxREFXOR CCxP | Output disabled (not driven by the timer: Hi-Z) OCxN=0 |
| | | X | 1 | 1 | OCREF+ polarity + dead- time | Complementary to OCREF (not OCREF) + polarity + dead-time |
| | | 1 | 0 | 1 | Off-state (output enabled with inactive state) OCx=CCxP | OCxREF +Polarity OCxN=OCxREF XORCCxNP |
| | | 1 | 1 | 0 | OCxREF +polarity OCx=OCxREF XOR CCxP, OCx_EN=1 | Off-State (output enabled with inactive state) OCxN=CCxNP, OCxN_EN=1 |
| 0 | 1 | X | X | X | Output disabled (not driven by the timer: Hi-Z) OCx=CCxP, OCxN=CCxNP | |
| | | | 0 | 0 | Off-state (output enabled with inactive state) | |
| | | | 0 | 1 | asynchronously: OCx=CCxP, OCxN=CCxNP | |
| | | | 1 | 0 | Then if the clock is present: OCx=OISx and OCxN=OISxN after a dead-time, assuming that OISx and OISxN do not correspond to OCx and OCxN both in active state | |
| | | | 1 | 1 | | |

1. When both outputs of a channel are not used (control taken over by GPIO controller), the OISx, OISxN, CCxP and CCxNP bits must be kept cleared.

Note:

The state of the external I/O pins connected to the complementary OCx and OCxN channels depends on the OCx and OCxN channel state and AFIO registers.

17.4.8 TIM16/17 counter (TIMx_CNT)

Address offset: 0x24

Reset value: 0x0000

| | | | | | | | | | | | | | | | |
|-----------|------|------|------|------|------|------|------|------|------|------|------|------|------|------|------|
| 31 | 30 | 29 | 28 | 27 | 26 | 25 | 24 | 23 | 22 | 21 | 20 | 19 | 18 | 17 | 16 |
| UIFCPY | Res. | Res. | Res. | Res. | Res. | Res. | Res. | Res. | Res. | Res. | Res. | Res. | Res. | Res. | Res. |
| r | | | | | | | | | | | | | | | |
| 15 | 14 | 13 | 12 | 11 | 10 | 9 | 8 | 7 | 6 | 5 | 4 | 3 | 2 | 1 | 0 |
| CNT[15:0] | | | | | | | | | | | | | | | |
| rw | rw | rw | rw | rw | rw | rw | rw | rw | rw | rw | rw | rw | rw | rw | rw |

| | |
|------------|---|
| Bit 31 | UIFCPY: UIF copy This bit is a read-only copy of the UIF bit of the TIMx_ISR register. If the UIFREMAP bit in the TIMxCR1 is reset, bit 31 is reserved and read as 0. |
| Bits 30:16 | Reserved, always read as 0. |
| Bits 15:0 | CNT[15:0]: Counter value |

17.4.9 TIM16/17 prescaler (TIMx_PSC)

Address offset: 0x28

Reset value: 0x0000

| | | | | | | | | | | | | | | | |
|-----------|----|----|----|----|----|----|----|----|----|----|----|----|----|----|----|
| 15 | 14 | 13 | 12 | 11 | 10 | 9 | 8 | 7 | 6 | 5 | 4 | 3 | 2 | 1 | 0 |
| PSC[15:0] | | | | | | | | | | | | | | | |
| rw | rw | rw | rw | rw | rw | rw | rw | rw | rw | rw | rw | rw | rw | rw | rw |

| | |
|--------------|--|
| Bits 15:0 | <p>PSC[15:0]: Prescaler value</p> <p>The counter clock frequency (CK_CNT) is equal to $f_{CK_PSC} / (PSC[15:0] + 1)$.</p> <p>PSC contains the value to be loaded in the active prescaler register at each update event (including when the counter is cleared through UG bit of TIMx_EGR register or through trigger controller when configured in "reset mode").</p> |
|--------------|--|

17.4.10 TIM16/17 auto-reload register (TIMx_ARR)

Address offset: 0x2C

Reset value: 0xFFFF

| | | | | | | | | | | | | | | | |
|-----------|----|----|----|----|----|----|----|----|----|----|----|----|----|----|----|
| 15 | 14 | 13 | 12 | 11 | 10 | 9 | 8 | 7 | 6 | 5 | 4 | 3 | 2 | 1 | 0 |
| ARR[15:0] | | | | | | | | | | | | | | | |
| rw | rw | rw | rw | rw | rw | rw | rw | rw | rw | rw | rw | rw | rw | rw | rw |

| | |
|-----------|---|
| Bits 15:0 | <p>ARR[15:0]: Prescaler value</p> <p>ARR is the value to be loaded in the actual auto-reload register.</p> <p>Refer to Section 17.3.1: Time-base unit for more details about ARR update and behavior.</p> <p>The counter is blocked while the auto-reload value is null.</p> |
|-----------|---|

17.4.11 TIM16/17 repetition counter register (TIMx_RCR)

Address offset: 0x30

Reset value: 0x0000

| | | | | | | | |
|----------|----|----|----|----|----|----|----|
| 7 | 6 | 5 | 4 | 3 | 2 | 1 | 0 |
| REP[7:0] | | | | | | | |
| rw | rw | rw | rw | rw | rw | rw | rw |

| | |
|-------------|--|
| Bits 7:0 | <p>REP[7:0]: Repetition counter value.</p> <p>These bits allow the user to set-up the update rate of the compare registers (i.e. periodic transfers from preload to active registers) when preload registers are enabled, as well as the update interrupt generation rate, if this interrupt is enabled.</p> <p>Each time the REP_CNT related down-counter reaches zero, an update event is generated and it restarts counting from REP value. As REP_CNT is reloaded with REP value only at the repetition update event U_RC, any write to the TIMx_RCR register is not taken into account until the next repetition update event.</p> <p>It means in PWM mode (REP+1) corresponds to the number of PWM periods in edge-aligned mode .</p> |
|-------------|--|

17.4.12 TIM16/17 capture/compare register 1 (TIMx_CCR1)

Address offset: 0x34

Reset value: 0x0000

| | | | | | | | | | | | | | | | |
|------------|----|----|----|----|----|----|----|----|----|----|----|----|----|----|----|
| 15 | 14 | 13 | 12 | 11 | 10 | 9 | 8 | 7 | 6 | 5 | 4 | 3 | 2 | 1 | 0 |
| CCR1[15:0] | | | | | | | | | | | | | | | |
| rw | rw | rw | rw | rw | rw | rw | rw | rw | rw | rw | rw | rw | rw | rw | rw |

| | |
|--------------|---|
| Bits 15:0 | <p>CCR1[15:0]: Capture/compare 1 value.</p> <p>If channel CC1 is configured as output:</p> <p>CCR1 is the value to be loaded in the actual capture/compare 1 register (preload value).</p> <p>It is loaded permanently if the preload feature is not selected in the TIMx_CCMR1 register (bit OC1PE). Otherwise the preload value is copied in the active capture/compare 1 register when an update event occurs.</p> <p>The active capture/compare register contains the value to be compared to the counter TIMx_CNT and signaled on OC1 output.</p> <p>If channel CC1 is configured as input:</p> <p>CCR1 is the counter value transferred by the last input capture 1 event (IC1).</p> |
|--------------|---|

17.4.13 TIM16/17 break and deadtime register (TIMx_BDTR)

Address offset: 0x44

Reset value: 0x0000

| | | | | | | | | | | | | | | | |
|------|------|------|-------|------|--------|-----------|------|----------|------|------|------|------|------|------|------|
| 31 | 30 | 29 | 28 | 27 | 26 | 25 | 24 | 23 | 22 | 21 | 20 | 19 | 18 | 17 | 16 |
| Res. | Res. | Res. | BKBID | Res. | BKDSRM | Res. | Res. | Res. | Res. | Res. | Res. | Res. | Res. | Res. | Res. |
| | | | rw | | rw | | | | | | | | | | |
| 15 | 14 | 13 | 12 | 11 | 10 | 9 | 8 | 7 | 6 | 5 | 4 | 3 | 2 | 1 | 0 |
| MOE | AOE | BKP | BKE | OSSR | OSSI | LOCK[1:0] | | DTG[7:0] | | | | | | | |
| rw | rw | rw | rw | rw | rw | rw | rw | rw | rw | rw | rw | rw | rw | rw | rw |

Note: As the **BKBID**, **BKDSRM**, **AOE**, **BKP**, **BKE**, **OSSI**, **OSSR**, and **DTG[7:0]** bits and all used bits of **TIMx_AF1** register may be write-locked depending on the **LOCK** configuration, it may be necessary to configure all of them during the first write access to the **TIMx_BDTR** register.

| | |
|------------|---|
| Bits 31:29 | Reserved, must be kept at reset value |
| Bit 28 | <p>BKBID: Break bidirectional</p> <p>0: Break input BRK in input mode</p> <p>1: Break input BRK in bidirectional mode</p> <p>In the bidirectional mode (BKBID bit set to 1), the break input is configured both in input mode and in open drain output mode. Any active break event asserts a low logic level on the Break input to indicate an internal break event to external devices.</p> <p>Note: This bit cannot be modified as long as LOCK level 1 has been programmed (LOCK bits in TIMx_BDTR register).</p> <p>Note: Any write operation to this bit takes a delay of 1 APB clock cycle to become effective.</p> |
| Bit 27 | Reserved, must be kept at reset value |
| Bit 26 | <p>BKDSRM: Break disarm</p> <p>0: Break input BRK is armed</p> <p>1: Break input BRK is disarmed</p> <p>This bit is cleared by hardware when no break source is active.</p> <p>The BKDSRM bit must be set by software to release the bidirectional output control (open drain output in Hi-Z state) and then be polled it until it is reset by hardware, indicating that the fault condition has disappeared.</p> <p>Note: Any write operation to this bit takes a delay of 1 APB clock cycle to become effective.</p> |
| Bits 25:16 | Reserved, must be kept at reset value |
| Bit 15 | <p>MOE: Main output enable</p> <p>This bit is cleared asynchronously by hardware as soon as the break input is active. It is set by software or automatically depending on the AOE bit. It is acting only on the channels which are configured in output.</p> <p>0: OC and OCN outputs are disabled or forced to idle state depending on the OSSI bit.</p> <p>1: OC and OCN outputs are enabled if their respective enable bits are set (CCxE, CCxNE in TIMx_CCER register)</p> <p>See OC/OCN enable description for more details Section 17.4.7: TIM16/17 capture/compare enable register (TIMx_CCER)</p> |
| Bit 14 | <p>AOE: Automatic output enable</p> <p>0: MOE can be set by software only</p> <p>1: MOE can be set by software or automatically at the next update event (if the break input is not be active)</p> <p>Note: This bit can not be modified as long as LOCK level 1 has been programmed (LOCK bits in TIMx_BDTR register).</p> |
| Bit 13 | BKP : Break polarity |

| | |
|----------|--|
| | <p>0: Break input BRK is active low 1: Break input BRK is active high</p> <p>Note: 1. This bit can not be modified as long as LOCK level 1 has been programmed (LOCK bits in TIMx_BDTR register). 2. Any write operation to this bit takes a delay of 1 APB clock cycle to become effective</p> |
| Bit 12 | <p>BKE: Break enable</p> <p>0: Break inputs (BRK) disabled 1: Break inputs (BRK) enabled</p> <p>Note: 1. This bit cannot be modified when LOCK level 1 has been programmed (LOCK bits in TIMx_BDTR register). 2. Any write operation to this bit takes a delay of 1 APB clock cycle to become effective</p> |
| Bit 11 | <p>OSSR: Off-state selection for Run mode</p> <p>This bit is used when MOE=1 on channels that have a complementary output which are configured as outputs. OSSR is not implemented if no complementary output is implemented in the timer.</p> <p>See OC/OCN enable description for more details Section 17.4.7: TIM16/17 capture/compare enable register (TIMx_CCER)</p> <p>0: When inactive, OC/OCN outputs are disabled (the timer releases the output control which is taken over by the AFIO logic, which forces a Hi-Z state) 1: When inactive, OC/OCN outputs are enabled with their inactive level as soon as CCxE=1 or CCxNE=1 (the output is still controlled by the timer).</p> <p>Note: This bit can not be modified as soon as the LOCK level 2 has been programmed (LOCK bits in TIMx_BDTR register).</p> |
| Bit 10 | <p>OSSI: Off-state selection for idle mode</p> <p>This bit is used when MOE=0 on channels configured as outputs.</p> <p>See OC/OCN enable description for more details Section 17.4.7: TIM16/17 capture/compare enable register (TIMx_CCER)</p> <p>0: When inactive, OC/OCN outputs are disabled (OC/OCN enable output signal=0) 1: When inactive, OC/OCN outputs are forced first with their idle level as soon as CCxE=1 or CCxNE=1. OC/OCN enable output signal=1</p> <p>Note: This bit cannot be modified when LOCK level 2 has been programmed (LOCK bits in TIMx_BDTR register).</p> |
| Bit 9:8 | <p>LOCK[1:0]: Lock configuration</p> <p>These bits offer a write protection against software errors.</p> <p>00: LOCK OFF - No bit is write protected</p> <p>01: LOCK Level 1 = DTG bits in TIMx_BDTR register, OISx and OISxN bits in TIMx_CR2 register, BKE/BKP/AOE/BKBID/BKDSRM bits in TIMx_BDTR register and all used bits in TIMx_AF1 register can no longer be written. 10: LOCK Level 2 = LOCK Level 1 + CC Polarity bits (CCxP/CCxNP bits in TIMx_CCER register, as long as the related channel is configured in output through the CCxS bits) as well as OSSR and OSSI bits can no longer be written. 11: LOCK Level 3 = LOCK Level 2 + CC Control bits (OCxM and OCxPE bits in TIMx_CCMRx registers, as long as the related channel is configured in output through the CCxS bits) can no longer be written.</p> <p>Note: The LOCK bits can be written only once after the reset. Once the TIMx_BDTR register has been written, their content is frozen until the next reset.</p> |
| Bits 7:0 | <p>DTG[7:0]: Deadtime generator setup.</p> <p>This bit-field defines the duration of the deadtime inserted between the complementary outputs. DT matches this duration.</p> <p>DTG[7:5]=0xx => DT=DTG[7:0]x t_{dtg} with t_{dtg}=t_{DTS}. DTG[7:5]=10x => DT=(64+DTG[5:0])x t_{dtg} with T_{dtg}=2xt_{DTS}. DTG[7:5]=110 => DT=(32+DTG[4:0])x t_{dtg} with T_{dtg}=8xt_{DTS}. DTG[7:5]=111 => DT=(32+DTG[4:0])x t_{dtg} with T_{dtg}=16xt_{DTS}.</p> <p>Example if T_{DTS} = 125 ns (8 MHz), deadtime possible values are:</p> <p>0 to 15875 ns by 125 ns steps, 16 μs to 31750 ns by 250 ns steps, 32 μs to 63 μs by 1 μs steps, 64 μs to 126 μs by 2 μs steps</p> |

| | |
|--|--|
| | Note: This bit-field cannot be modified as long as LOCK level 1, 2 or 3 has been programmed (LOCK bits in TIMx_BDTR register). |
|--|--|

17.4.14 TIM16/17 DMA control register (TIMx_DCR)

Address offset: 0x48

Reset value: 0x0000

| | | | | | | | | | | | | | | | |
|------|------|------|----------|----|----|----|----|------|------|------|----------|----|----|----|----|
| 15 | 14 | 13 | 12 | 11 | 10 | 9 | 8 | 7 | 6 | 5 | 4 | 3 | 2 | 1 | 0 |
| Res. | Res. | Res. | DBL[4:0] | | | | | Res. | Res. | Res. | DBA[4:0] | | | | |
| | | | rw | rw | rw | rw | rw | | | | rw | rw | rw | rw | rw |

| | |
|------------|--|
| Bits 15:13 | Reserved, must be kept at reset value |
| Bits 12:8 | <p>DBL[4:0]: DMA burst length</p> <p>This 5-bit field defines the length of DMA transfers (the timer recognizes a burst transfer when a read or a write access is done to the TIMx_DMAR address), i.e. the number of transfers. Transfers can be in half-words or in bytes (see example below).</p> <p>00000: 1 transfer 00001: 2 transfers 00010: 3 transfers ... 10001: 18 transfers.</p> |
| Bits 7:5 | Reserved, must be kept at reset value |
| Bits 4:0 | <p>DBA[4:0]DMA base address</p> <p>This 5-bit field defines the base-address for DMA transfers (when read/write access are done through the TIMx_DMAR address). DBA is defined as an offset starting from the address of the TIMx_CR1 register.</p> <p>Example:</p> <p>00000: TIMx_CR1 00001: TIMx_CR2 00010: Reserved ...</p> <p>Example: Let us consider the following transfer: DBL = 7 transfers and DBA = TIMx_CR1. In this case the transfer is done to/from 7 registers starting from the TIMx_CR1 address.</p> |

17.4.15 TIM16/17 DMA address for full transfer (TIMx_DMAR)

Address offset: 0x4C

Reset value: 0x0000

| | | | | | | | | | | | | | | | |
|------------|----|----|----|----|----|----|----|----|----|----|----|----|----|----|----|
| 15 | 14 | 13 | 12 | 11 | 10 | 9 | 8 | 7 | 6 | 5 | 4 | 3 | 2 | 1 | 0 |
| DMAB[15:0] | | | | | | | | | | | | | | | |
| rw | rw | rw | rw | rw | rw | rw | rw | rw | rw | rw | rw | rw | rw | rw | rw |

| | |
|--------------|--|
| Bits 15:0 | DMAB[15:0]: DMA register for burst accesses A read or write operation to the DMAR register accesses the register located at the address (TIM2_CR1 address) + (DBA + DMA index) x 4 where TIM2_CR1 address is the address of the control register 1, DBA is the DMA base address configured in TIM2_DCR register, DMA index is automatically controlled by the DMA transfer, and ranges from 0 to DBL (DBL configured in TIM2_DCR). |
|--------------|--|

17.4.16 TIM17 option register 1 (TIM17_OR1)

Address offset: 0x50

Reset value: 0x0000

| | | | | | | | | | | | | | | | |
|------|------|------|------|------|------|------|------|------|------|------|------|------|------|--------------|----|
| 15 | 14 | 13 | 12 | 11 | 10 | 9 | 8 | 7 | 6 | 5 | 4 | 3 | 2 | 1 | 0 |
| Res. | Res. | Res. | Res. | Res. | Res. | Res. | Res. | Res. | Res. | Res. | Res. | Res. | Res. | TI1_RMP[1:0] | |
| | | | | | | | | | | | | | | rw | rw |

| | |
|----------|---|
| Bits 1:0 | <p>TI1_RMP[1:0]: Timer 17 input 1 connection</p> <p>This bit is set and cleared by software.</p> <p>00: TIM17 TI1 is connected to GPIO</p> <p>01: TIM17 TI1 is connected to RCC_LCO</p> <p>1x: TIM17 TI1 is connected to RCC_MCO</p> |
|----------|---|

17.4.17 TIM16/17 alternate function register 1 (TIMx_AF1)

Address offset: 0x60

Reset value: 0x0001

| | | | | | | | | | | | | | | | |
|------|------|------|------|----------|----------|-------|------|------|------|------|------|------|----------|----------|-------|
| 31 | 30 | 29 | 28 | 27 | 26 | 25 | 24 | 23 | 22 | 21 | 20 | 19 | 18 | 17 | 16 |
| Res. | Res. | Res. | Res. | Res. | Res. | Res. | Res. | Res. | Res. | Res. | Res. | Res. | Res. | Res. | Res. |
| 15 | 14 | 13 | 12 | 11 | 10 | 9 | 8 | 7 | 6 | 5 | 4 | 3 | 2 | 1 | 0 |
| Res. | Res. | Res. | Res. | BKCOMP2P | BKCOMP1P | BKINP | | | | | | | BKCOMP2E | BKCOMP1E | BKINE |
| | | | | rw | rw | rw | | | | | | | rw | rw | rw |

| | |
|------------|---|
| Bits 31:22 | Reserved, must be kept at reset value. |
| Bit 11 | <p>BKCOMP2P: BRK COMP2 input polarity.</p> <p>This bit selects the COMP2 input sensitivity. It must be programmed together with the BKP polarity bit.</p> <p>0: COMP2 input is active low. 1: COMP2 input is active high.</p> <p>Note: This bit can not be modified as long as LOCK level 1 has been programmed (LOCK bits in TIMx_BDTR register)</p> |
| Bit 10 | <p>BKCOMP1P: BRK COMP1 input polarity</p> <p>This bit selects the COMP1 input sensitivity. It must be programmed together with the BKP polarity bit.</p> <p>0: COMP1 input is active low. 1: COMP1 input is active high.</p> <p>Note: This bit can not be modified as long as LOCK level 1 has been programmed (LOCK bits in TIMx_BDTR register)</p> |
| Bit 9 | <p>BKINP: BRK BKIN input polarity</p> <p>This bit selects the BKIN alternate function input sensitivity. It must be programmed together with the BKP polarity bit.</p> <p>0: BKIN input is active low. 1: BKIN input is active high.</p> <p>Note: This bit can not be modified as long as LOCK level 1 has been programmed (LOCK bits in TIMx_BDTR register)</p> |
| Bits 8:3 | Reserved, must be kept at reset value. |
| Bit 2 | <p>BKCOMP2E: BRK COMP2 enable.</p> <p>This bit enables the COMP2 for the timer's BRK input. COMP2 output is ORed with the other enabled BRK sources.</p> <p>0: COMP2 input disabled. 1: COMP2 input enabled.</p> <p>Note: This bit can not be modified as long as LOCK level 1 has been programmed (LOCK bits in TIMx_BDTR register)</p> |
| Bit 1 | <p>BKCOMP1E: BRK COMP1 enable</p> <p>This bit enables the COMP1 for the timer's BRK input. COMP1 output is ORed with the other enabled BRK sources.</p> <p>0: COMP1 input disabled. 1: COMP1 input enabled.</p> <p>Note: This bit can not be modified as long as LOCK level 1 has been programmed (LOCK bits in TIMx_BDTR register)</p> |
| Bit 0 | <p>BKINE: BRK BKIN enable.</p> <p>This bit enables the BKIN alternate function input for the timer's BRK input. BKIN input is ORed with the other enabled BRK sources.</p> |

0: BKIN input disabled.

1: BKIN input enabled.

Note: This bit can not be modified as long as LOCK level 1 has been programmed (LOCK bits in TIMx_BDTR register)

17.4.18 TIM16/17 input selection register (TIM16_TISEL)

Address offset: 0x68

Reset value: 0x0000

| | | | | | | | | | | | | | | | |
|------|------|------|------|------|------|------|------|------|------|------|------|-------------|------|------|------|
| 31 | 30 | 29 | 28 | 27 | 26 | 25 | 24 | 23 | 22 | 21 | 20 | 19 | 18 | 17 | 16 |
| Res. | Res. | Res. | Res. | Res. | Res. | Res. | Res. | Res. | Res. | Res. | Res. | Res. | Res. | Res. | Res. |
| 15 | 14 | 13 | 12 | 11 | 10 | 9 | 8 | 7 | 6 | 5 | 4 | 3 | 2 | 1 | 0 |
| Res. | Res. | Res. | Res. | Res. | Res. | Res. | Res. | Res. | Res. | Res. | Res. | T11SEL[3:0] | | | |
| | | | | | | | | | | | | rw | rw | rw | rw |

| | |
|-----------|--|
| Bit 31:14 | Reserved, must be kept at reset value. |
| Bits 3:0 | T11SEL[3:0] : selects T11[0] to T11[15] input 0000: TIMx_CH1 input Others: Reserved |

17.4.19 TIM16/17 register map

TIM16/17 registers are mapped as 16-bit addressable registers as described in the table below:

Table 82. TIM2 register map and reset values

| Offset | Register | 31 | 30 | 29 | 28 | 27 | 26 | 25 | 24 | 23 | 22 | 21 | 20 | 19 | 18 | 17 | 16 | 15 | 14 | 13 | 12 | 11 | 10 | 9 | 8 | 7 | 6 | 5 | 4 | 3 | 2 | 1 | 0 | | |
|--------|-------------|------|------|------|------|------|------|------|------|------|------|------|------|------|------|------|------|------|------|------|------|-----------|------|-----------|-------|------|------|-------|-------|------|------|------|-------|-------|-----|
| 0x00 | TIMx_CR1 | Res. | Res. | Res. | Res. | Res. | Res. | Res. | Res. | Res. | Res. | Res. | Res. | Res. | Res. | Res. | Res. | Res. | Res. | Res. | Res. | UJIFREMAP | Res. | CKD [1:0] | | ARPE | Res. | Res. | Res. | OPM | URS | UDIS | CEN | | |
| | Reset value | | | | | | | | | | | | | | | | | | | | | 0 | | 0 | 0 | 0 | | | | 0 | 0 | 0 | 0 | | |
| 0x04 | TIMx_CR2 | Res. | Res. | Res. | Res. | Res. | Res. | Res. | Res. | Res. | Res. | Res. | Res. | Res. | Res. | Res. | Res. | Res. | Res. | Res. | Res. | Res. | Res. | OIS1N | OIS1 | Res. | Res. | Res. | Res. | Res. | CCDS | CCUS | Res. | CCPC | |
| | Reset value | | | | | | | | | | | | | | | | | | | | | | | 0 | 0 | | | | | 0 | 0 | | 0 | | |
| 0x0C | TIMx_DIER | Res. | Res. | Res. | Res. | Res. | Res. | Res. | Res. | Res. | Res. | Res. | Res. | Res. | Res. | Res. | Res. | Res. | Res. | Res. | Res. | Res. | Res. | CC1DE | UDE | BIE | Res. | COMIE | Res. | Res. | Res. | Res. | CC1IE | UIE | |
| | Reset value | | | | | | | | | | | | | | | | | | | | | | | | | | 0 | | 0 | 0 | 0 | 0 | 0 | 0 | |
| 0x10 | TIMx_SR | Res. | Res. | Res. | Res. | Res. | Res. | Res. | Res. | Res. | Res. | Res. | Res. | Res. | Res. | Res. | Res. | Res. | Res. | Res. | Res. | Res. | Res. | Res. | CC1OF | Res. | BIF | Res. | COMIF | Res. | Res. | Res. | Res. | CC1IF | UIF |
| | Reset value | | | | | | | | | | | | | | | | | | | | | | | | 0 | | 0 | | 0 | | | | 0 | 0 | |
| 0x14 | TIMx_EGR | Res. | Res. | Res. | Res. | Res. | Res. | Res. | Res. | Res. | Res. | Res. | Res. | Res. | Res. | Res. | Res. | Res. | Res. | Res. | Res. | Res. | Res. | Res. | Res. | BG | Res. | COMIG | Res. | Res. | Res. | Res. | CC1IG | UG | |
| | Reset value | | | | | | | | | | | | | | | | | | | | | | | | | 0 | | 0 | | | | | 0 | 0 | |





| Offset | Register | 31 | 30 | 29 | 28 | 27 | 26 | 25 | 24 | 23 | 22 | 21 | 20 | 19 | 18 | 17 | 16 | 15 | 14 | 13 | 12 | 11 | 10 | 9 | 8 | 7 | 6 | 5 | 4 | 3 | 2 | 1 | 0 |
|--------|-----------------------------------|--------|-----|-----|-----|-----|-----|-----|------|-----|-----|------|------|-----|-----|------|---------|-----------|------|------|------|------|------|------|------|------|------------|------|------|--------------|-------|------------|------|
| 0x18 | TIMx_CCMR1 Output Compare mode | Res | Res | Res | Res | Res | Res | Res | Res. | Res | Res | Res | Res | Res | Res | Res | OC1M[3] | Res. | Res. | Res. | Res. | Res. | Res. | Res. | Res. | Res. | OC1M [2:0] | | | OC1PE | OC1FE | CC1S [1:0] | |
| | Reset value | | | | | | | | | | | | | | | | 0 | | | | | | | | | | 0 | 0 | 0 | 0 | 0 | 0 | 0 |
| | TIMx_CCMR1 Input Capture mode | Res | Res | Res | Res | Res | Res | Res | Res | Res | Res | Res | Res | Res | Res | Res | Res | | | Res. | | | Res. | | Res. | | IC1F[3:0] | | | IC1PSC [1:0] | | CC1S [1:0] | |
| | Reset value | | | | | | | | | | | | | | | | | | | | | | | | | 0 | 0 | 0 | 0 | 0 | 0 | 0 | 0 |
| 0x20 | TIMx_CCER | Res | Res | Res | Res | Res | Res | Res | Res | Res | Res | Res. | Res. | Res | Res | Res. | Res. | Res. | Res. | Res. | Res. | Res. | Res. | Res. | Res. | Res. | Res. | Res. | Res. | CC1NP | CC1NE | CC1P | CC1E |
| | Reset value | | | | | | | | | | | | | | | | | | | | | | | | | | | | 0 | 0 | 0 | 0 | |
| 0x24 | TIMx_CNT | UIFCPY | Res | Res | Res | Res | Res | Res | Res | Res | Res | Res | Res | Res | Res | Res | Res | CNT[15:0] | | | | | | | | | | | | | | | |
| | Reset value | 0 | | | | | | | | | | | | | | | | 0 | 0 | 0 | 0 | 0 | 0 | 0 | 0 | 0 | 0 | 0 | 0 | 0 | 0 | 0 | |
| 0x28 | TIMx_PSC | Res | Res | Res | Res | Res | Res | Res | Res | Res | Res | Res | Res | Res | Res | Res | Res | PSC[15:0] | | | | | | | | | | | | | | | |
| | Reset value | | | | | | | | | | | | | | | | | 0 | 0 | 0 | 0 | 0 | 0 | 0 | 0 | 0 | 0 | 0 | 0 | 0 | 0 | 0 | |

| Offset | Register | 31 | 30 | 29 | 28 | 27 | 26 | 25 | 24 | 23 | 22 | 21 | 20 | 19 | 18 | 17 | 16 | 15 | 14 | 13 | 12 | 11 | 10 | 9 | 8 | 7 | 6 | 5 | 4 | 3 | 2 | 1 | 0 | | |
|--------|-------------|------|------|------|-------|------|--------|------|------|------|------|------|------|------|------|------|------|------------|------|----------|------|------|------|------------|------|----------|----------|---|---|---|---|---|---|---|--|
| 0x2C | TIMx_ARR | Res | Res | Res | Res | Res | Res | Res | Res | Res | Res | Res | Res | Res | Res | Res | Res | ARR[15:0] | | | | | | | | | | | | | | | | | |
| | Reset value | | | | | | | | | | | | | | | | | 1 | 1 | 1 | 1 | 1 | 1 | 1 | 1 | 1 | 1 | 1 | 1 | 1 | 1 | 1 | 1 | | |
| 0x30 | TIMx_RCR | Res | Res | Res | Res | Res | Res | Res | Res | Res | Res | Res | Res | Res | Res | Res | Res. | Res. | Res. | Res. | Res. | Res. | Res. | Res. | Res. | REP[7:0] | | | | | | | | | |
| | Reset value | | | | | | | | | | | | | | | | | | | | | | | | | 0 | 0 | 0 | 0 | 0 | 0 | 0 | 0 | 0 | |
| 0x34 | TIMx_CCR1 | Res | Res | Res | Res | Res | Res | Res | Res | Res | Res | Res | Res | Res | Res | Res | Res | CCR1[15:0] | | | | | | | | | | | | | | | | | |
| | Reset value | | | | | | | | | | | | | | | | | 0 | 0 | 0 | 0 | 0 | 0 | 0 | 0 | 0 | 0 | 0 | 0 | 0 | 0 | 0 | 0 | | |
| 0x44 | TIMx_BDTR | Res | Res | Res | BKBID | Res | BKDSRM | Res | Res | Res | Res | Res | Res | Res | Res | Res | Res | MOE | AOE | BKP | BKE | OSSR | OSSI | LOCK [1:0] | | DT[7:0] | | | | | | | | | |
| | Reset value | | | | 0 | | 0 | 0 | 0 | 0 | 0 | 0 | 0 | 0 | 0 | 0 | 0 | 0 | 0 | 0 | 0 | 0 | 0 | 0 | 0 | 0 | 0 | 0 | 0 | 0 | 0 | 0 | 0 | | |
| 0x48 | TIMx_DCR | Res. | Res. | Res. | Res. | Res. | Res. | Res. | Res. | Res. | Res. | Res. | Res. | Res. | Res. | Res. | Res. | Res. | Res. | DBL[4:0] | | | | Res. | Res. | Res. | DBA[4:0] | | | | | | | | |
| | Reset value | | | | | | | | | | | | | | | | | | | | | 0 | 0 | 0 | 0 | | | | | 0 | 0 | 0 | 0 | | |

| Offset | Register | 31 | 30 | 29 | 28 | 27 | 26 | 25 | 24 | 23 | 22 | 21 | 20 | 19 | 18 | 17 | 16 | 15 | 14 | 13 | 12 | 11 | 10 | 9 | 8 | 7 | 6 | 5 | 4 | 3 | 2 | 1 | 0 | | |
|--------|-------------|------|------|------|------|------|------|------|------|------|------|------|------|------|------|------|------|------------|------|------|------|------|----------|----------|-------|------|------|------|------|------|------|------|---------------|-------------|-------|
| 0x4C | TIMx_DMAR | Res | Res | Res | Res | Res | Res | Res | Res. | Res | Res | Res | Res | Res | Res | Res | Res. | DMAB[15:0] | | | | | | | | | | | | | | | | | |
| | Reset value | | | | | | | | | | | | | | | | | 0 | 0 | 0 | 0 | 0 | 0 | 0 | 0 | 0 | 0 | 0 | 0 | 0 | 0 | 0 | | | |
| 0x50 | TIM17_OR1 | | | | | | | | | | | | | | | | | | | | | | | | | | | | | | | | T11_RMP [1:0] | | |
| | Reset value | | | | | | | | | | | | | | | | | | | | | | | | | | | | | | 0 | 0 | | | |
| 0x60 | TIMx_AF1 | Res. | Res. | Res. | Res. | Res. | Res. | Res. | Res. | Res. | Res. | Res. | Res. | Res. | Res. | Res. | Res. | Res. | Res. | Res. | Res. | Res. | BKCOMP2P | BKCOMP1P | BKINP | Res. | Res. | Res. | Res. | Res. | Res. | Res. | BKCOMP2E | BKCOMP1E | BKINE |
| | Reset value | | | | | | | | | | | | | | | | | | | | | | 0 | 0 | 0 | | | | | | | 0 | 0 | 1 | |
| 0x68 | TIMx_TISEL | Res. | Res. | Res. | Res. | Res. | Res. | Res. | Res. | Res. | Res. | Res. | Res. | Res. | Res. | Res. | Res. | Res. | Res. | Res. | Res. | Res. | Res. | Res. | Res. | Res. | Res. | Res. | Res. | Res. | Res. | Res. | Res. | T11SEL[3:0] | |



| Offset | Register | 31 | 30 | 29 | 28 | 27 | 26 | 25 | 24 | 23 | 22 | 21 | 20 | 19 | 18 | 17 | 16 | 15 | 14 | 13 | 12 | 11 | 10 | 9 | 8 | 7 | 6 | 5 | 4 | 3 | 2 | 1 | 0 | |
|--------|-------------|----|----|----|----|----|----|----|----|----|----|----|----|----|----|----|----|----|----|----|----|----|----|---|---|---|---|---|---|---|---|---|---|---|
| 0x68 | Reset value | | | | | | | | | | | | | | | | | | | | | | | | | | | | | | 0 | 0 | 0 | 0 |

Refer to [Section 2.2.2: Memory map and register boundary addresses](#) for the register boundary addresses.

18 Infrared interface (IRTIM)

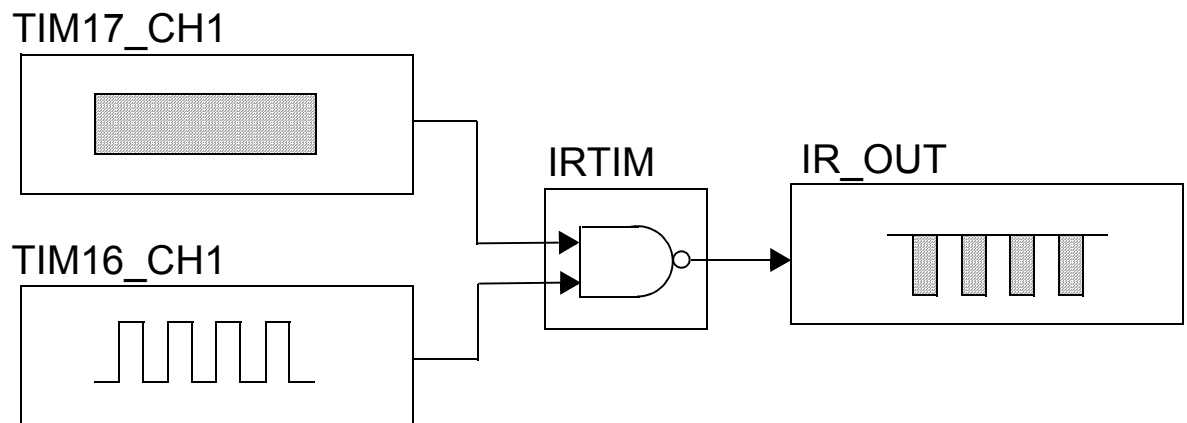
An infrared interface (IRTIM) for remote control is available on the device. It can be used with an infrared LED to perform remote control functions.

It uses internal connections with TIM16 and TIM17 as shown in [Figure 91. IR internal hardware connections with TIM16 and TIM17](#).

To generate the infrared remote control signals, the IR interface must be enabled and TIM16 channel 1 (TIM16_OC1) and TIM17 channel 1 (TIM17_OC1) must be properly configured to generate correct waveforms.

The infrared receiver can be implemented easily through a basic input capture mode.

Figure 91. IR internal hardware connections with TIM16 and TIM17



All standard IR pulse modulation modes can be obtained by programming the two timer output compare channels. TIM17 is used to generate the high frequency carrier signal, while TIM16 generates the modulation envelope.

The infrared function is output on the IR_OUT pin. The activation of this function is done through the [Section 7.4.17: GPIOA alternate function low register \(GPIOA_AFR1\)](#) or [Section 7.4.19: GPIOA alternate function high register \(GPIOA_AFR2\)](#) register by enabling the related alternate function.

The high sink LED driver capability (only available on the PA0, PA1 pin) can be activated through the I2C1_PA0_FMP or I2C1_PA1_FMP bit in the [Section 8.2.3: I2C Fast-Mode Plus pin capability control register \(I2C_FMP_CTRL\)](#) register and used to sink the high current needed to directly control an infrared LED.

19 Real-time clock (RTC)

19.1 Introduction

The real-time clock (RTC) is an independent BCD timer/counter. The RTC provides a time-of-day clock/calendar with programmable alarm interrupt.

The RTC also includes a periodic programmable wakeup flag with interrupt capability. The RTC provides an automatic wakeup to manage all low-power modes.

Two 32-bit registers contain the seconds, minutes, hours (12- or 24-hour format), day (day of week), date (day of month), month, and year, expressed in binary coded decimal format (BCD). The sub-seconds value is also available in binary format.

Compensations for 28-, 29- (leap year), 30-, and 31-day months are performed automatically. Daylight saving time compensation can also be performed.

Additional 32-bit registers contain the programmable alarm sub-seconds, seconds, minutes, hours, day, and date.

A digital calibration feature is available to compensate for any deviation in crystal oscillator accuracy.

After power-on reset, all RTC registers are protected against possible parasitic write accesses.

As long as the supply voltage remains in the operating range, the RTC never stops, regardless of the device status (run mode, low-power mode or under system reset).

Note: The RTC counter does not freeze when the CPU is halted by a debugger.

19.2 RTC main features

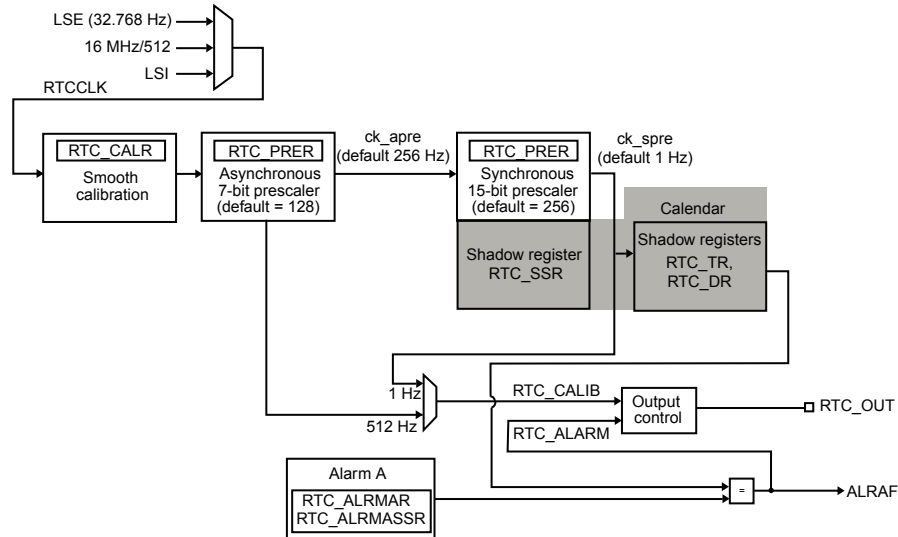
The RTC unit main features are the following (see [Figure 92. RTC block diagram](#)):

- Calendar with sub-seconds, seconds, minutes, hours (12 or 24 format), day (day of week), date (day of month), month, and year.
- Daylight saving compensation programmable by software
- Programmable alarm with interrupt function. The alarm can be triggered by any combination of the calendar fields
- Automatic wakeup unit generating a periodic flag that triggers an automatic wakeup interrupt
- Digital calibration circuit (periodic counter correction): 0.95 ppm accuracy, obtained in a calibration window of several seconds
- Maskable interrupts/events:
 - Alarm A
 - wakeup interrupt.

19.3 RTC functional description

19.3.1 RTC block diagram

Figure 92. RTC block diagram



19.3.2 Clock and prescalers

The RTC clock source (RTCCLK) is selected through the clock controller among the LSE clock, the LSI oscillator clock, and an always 32 kHz equal to HSI_64M/2048 clock if HSESEL='0' else equal to HSE/1024 if HSESEL='1'. For more information on the RTC clock source configuration, refer to [Section 6: Reset and clock controller \(RCC\)](#).

A programmable prescaler stage generates a 1 Hz clock which is used to update the calendar. To minimize power consumption, the prescaler is split into 2 programmable prescalers (see [Figure 92. RTC block diagram](#)):

- A 7-bit asynchronous prescaler configured through the PREDIV_A bits of the RTC_PRER register
- A 15-bit synchronous prescaler configured through the PREDIV_S bits of the RTC_PRER register.

Note: When both prescalers are used, it is recommended to configure the asynchronous prescaler to a high value to minimize consumption.

The asynchronous prescaler division factor is set to 128, and the synchronous division factor to 256, to obtain an internal clock frequency of 1 Hz (ck_spre) with an LSE frequency of 32.768 kHz.

The minimum division factor is 1 and the maximum division factor is 2^{22} . This corresponds to a maximum input frequency of around 4 MHz. f_{ck_apre} is given by the following formula:

$$f_{CK_APRE} = \frac{f_{RTCCLK}}{PREDIV_A + 1} \quad (2)$$

The ck_apre clock is used to clock the binary RTC_SSR sub-seconds down-counter. When it reaches 0, RTC_SSR is reloaded with the content of PREDIV_S.

f_{ck_spre} is given by the following formula:

$$f_{CK_SPRE} = \frac{f_{RTCCLK}}{(PREDIV_S + 1) \times (PREDIV_A + 1)} \quad (3)$$

The ck_spre clock can be used either to update the calendar or as timebase for the 16-bit wakeup auto-reload timer. To obtain short timeout periods, the 16-bit wakeup auto-reload timer can also run with the RTCCLK divided by the programmable 4-bit asynchronous prescaler (see [Section 19.3.5: Periodic auto-wakeup](#)).

19.3.3 Real-time clock and calendar

The RTC calendar time and date registers are accessed through shadow registers which are synchronized with PCLK (APB clock). They can also be accessed directly in order to avoid waiting for the synchronization duration.

- RTC_SSR for the sub-seconds
- RTC_TR for the time
- RTC_DR for the date

Every two RTCCLK periods, the current calendar value is copied into the shadow registers, and the RSF bit of the RTC_ISR register is set (see [Section 19.6.4: RTC initialization and status register \(RTC_ISR\)](#)).

The copy is not performed in stop and standby mode. When exiting these modes, the shadow registers are updated after up to 2 RTCCLK periods.

When the application reads the calendar registers, it accesses the content of the shadow registers. It is possible to make a direct access to the calendar registers by setting the BYPSHAD control bit in the RTC_CR register. By default, this bit is cleared, and the user accesses the shadow registers.

When reading the RTC_SSR, RTC_TR or RTC_DR registers in BYPSHAD=0 mode, the frequency of the APB clock (f_{APB}) must be at least 7 times the frequency of the RTC clock (f_{RTCCLK}).

The shadow registers are reset by system reset.

19.3.4 Programmable alarm

The RTC unit provides programmable alarm: Alarm A. The programmable alarm function is enabled through the ALRAE bit in the RTC_CR register. The ALRAF is set to 1 if the calendar subseconds, seconds, minutes, hours, date or day match the values programmed in the alarm registers RTC_ALRMASR and RTC_ALRMAR. Each calendar field can be independently selected through the MSKx bits of the RTC_ALRMAR register, and through the MASKSSx bits of the RTC_ALRMASR register. The alarm interrupt is enabled through the ALRAIE bit in the RTC_CR register.

Caution: If the seconds field is selected (MSK0 bit reset in RTC_ALRMAR), the synchronous prescaler division factor set in the RTC_PRER register must be at least 3 to ensure correct behavior.

Alarm A (if enabled by bits OSEL[0:1] in RTC_CR register) can be routed to the RTC_ALARM output. RTC_ALARM output polarity can be configured through bit POL in the RTC_CR register.

19.3.5 Periodic auto-wakeup

The periodic wakeup flag is generated by a 16-bit programmable auto-reload down-counter. The wakeup timer range can be extended to 17 bits.

The wakeup function is enabled through the WUTE bit in the RTC_CR register. The wakeup timer clock input can be:

- RTC clock (RTCCLK) divided by 2, 4, 8, or 16.
When RTCCLK is LSE (32.768 kHz), this allows the wakeup interrupt period to be configured from 122 μ s to 32 s, with a resolution down to 61 μ s.
- ck_spre (usually 1 Hz internal clock)
When ck_spre frequency is 1 Hz, this allows a wakeup time to be achieved from 1 s to around 36 hours with one-second resolution. This large programmable time range is divided in 2 parts:
 - from 1 s to 18 hours when WUCKSEL [2:1] = 10
 - and from around 18 h to 36 h when WUCKSEL[2:1] = 11. In this last case 2^{16} is added to the 16-bit counter current value. When the initialization sequence is complete (see [Section 19.3.6: RTC initialization and configuration](#)), the timer starts counting down. When the wakeup function is enabled, the down-counting remains active in low-power modes. In addition, when it reaches 0, the WUTF flag is set in the RTC_ISR register, and the wakeup counter is automatically reloaded with its reload value (RTC_WUTR register value).

The WUTF flag must then be cleared by software.

When the periodic wakeup interrupt is enabled by setting the WUTIE bit in the RTC_CR2 register, it can exit the device from low-power modes.

The periodic wakeup flag can be routed to the RTC_ALARM output provided it has been enabled through bits OSEL[0:1] of the RTC_CR register. RTC_ALARM output polarity can be configured through the POL bit in the RTC_CR register.

System reset, as well as low-power mode (Deepstop) have no influence on the wakeup timer.

19.3.6 RTC initialization and configuration

RTC register access

The RTC registers are 32-bit registers. The APB interface introduces 2 wait-states in RTC register accesses except on read accesses to calendar shadow registers when BYPSHAD=0.

RTC register write protection

After power-on reset, all the RTC registers are write-protected. Writing to the RTC registers is enabled by writing a key into the write protection register, RTC_WPR.

The following steps are required to unlock the write protection on all the RTC registers except for RTC_ISR[13:8], and RTC_BKPxR.

1. Write '0xCA' into the RTC_WPR register.
2. Write '0x53' into the RTC_WPR register.

Writing a wrong key reactivates the write protection.

The protection mechanism is not affected by system reset.

Calendar initialization and configuration

To program the initial time and date calendar values, including the time format and the prescaler configuration, the following sequence is required:

1. Set INIT bit to 1 in the RTC_ISR register to enter initialization mode. In this mode, the calendar counter is stopped and its value can be updated.
2. Poll INITF bit in the RTC_ISR register. The initialization phase mode is entered when INITF is set to 1. It takes around 2 RTCCLK clock cycles (due to clock synchronization).
3. To generate a 1 Hz clock for the calendar counter, program both the prescaler factors in RTC_PRER register.
4. Load the initial time and date values in the shadow registers (RTC_TR and RTC_DR), and configure the time format (12 or 24 hours) through the FMT bit in the RTC_CR register.
5. Exit the initialization mode by clearing the INIT bit. The actual calendar counter value is then automatically loaded and the counting restarts after 4 RTCCLK clock cycles.

When the initialization sequence is complete, the calendar starts counting.

Note: 1. After a system reset, the application can read the INITS flag in the RTC_ISR register to check if the calendar has been initialized or not. If this flag equals 0, the calendar has not been initialized since the year field is set at its power-on reset default value (0x00).

Note: 2. To read the calendar after initialization, the software must first check that the RSF flag is set in the RTC_ISR register.

Daylight saving time

The daylight saving time management is performed through bits SUB1H, ADD1H, and BKP of the RTC_CR register.

Using SUB1H or ADD1H, the software can subtract or add one hour to the calendar in one single operation without going through the initialization procedure.

In addition, the software can use the BKP bit to memorize this operation.

Programming the alarm

A similar procedure must be followed to program or update the programmable alarms.

1. Clear ALRAE in RTC_CR to disable Alarm A
2. Program the Alarm A registers (RTC_ALRMASR/RTC_ALRMAR)
3. Set ALRAE in the RTC_CR register to enable alarm A again.

Note: Each change of the RTC_CR register is taken into account after around 2 RTCCLK clock cycles due to clock synchronization.

Programming the wakeup timer

The following sequence is required to configure or change the wakeup timer auto-reload value (WUT[15:0] in RTC_WUTR):

1. Clear WUTE in RTC_CR to disable the wakeup timer.
2. Poll WUTWF bit until it is set in RTC_ISR register to make sure the access to wake up auto-reload counter and to WUCKSEL[2:0] bits is allowed. It takes around 2 RTCCLK clock cycles (due to clock synchronization).
3. Program the wakeup auto-reload value WUT[15:0], and the wakeup clock selection (WUCKSEL[2:0] bits in RTC_CR). Set WUTE in RTC_CR to enable the timer again. The wakeup timer restarts down-counting.

19.3.7 Reading the calendar

- When BYPSHAD control bit is cleared in the RTC_CR register:

To read the RTC calendar registers (RTC_SSR, RTC_TR and RTC_DR) properly, the APB1 clock frequency (fPCLK) must be equal to or greater than seven times the fRTCCLKRTC clock frequency. This ensures a secure behavior of the synchronization mechanism.

If the APB0 clock frequency is less than seven times the RTC clock frequency, the software must read the calendar time and date registers twice. If the second read of the RTC_TR gives the same result as the first read, this ensures that the data is correct. Otherwise a third read access must be done. In any case the APB0 clock frequency must never be lower than the RTC clock frequency.

The RSF bit is set in the RTC_ISR register each time the calendar registers are copied into the RTC_TR and RTC_DR shadow registers. The copy is performed every two RTCCLK cycles. To ensure consistency between the 3 values, reading either RTC_SSR or RTC_TR locks the values in the higher-order calendar shadow registers until RTC_DR is read. In case the software makes read accesses to the calendar in a time interval smaller than 2 RTCCLK periods: RSF must be cleared by software after the first calendar read, and then the software must wait until RSF is set before reading again the RTC_SSR, RTC_TR and RTC_DR registers.

After waking up from low-power mode (Deepstop), RSF must be cleared by software. The software must then wait until it is set again before reading the RTC_SSR, RTC_TR and RTC_DR registers.

The RSF bit must be cleared after wakeup and not before entering low-power mode.

After a system reset, the software must wait until RSF is set before reading the RTC_SSR, RTC_TR and RTC_DR registers. Indeed, a system reset resets the shadow registers to their default values.

After an initialization, (refer to Calendar initialization and configuration in [Section 19.3.6: RTC initialization and configuration](#)), the software must wait until RSF is set before reading the RTC_SSR, RTC_TR and RTC_DR registers.

After synchronization (refer to [Section 19.3.9: RTC synchronization](#)), the software must await until RSF is set before reading the RTC_SSR, RTC_TR and RTC_DR registers.

- When the BYPSHAD control bit is set in the RTC_CR register (bypass shadow registers)

Reading the calendar registers gives the values from the calendar counters directly, thus eliminating the need to wait for the RSF bit to be set. This is especially useful after exiting from low-power modes (STOP or Standby), since the shadow registers are not updated during these modes.

When the BYPSHAD bit is set to 1, the results of the different registers might not be coherent with each other if an RTCCLK edge occurs between two read accesses to the registers. Additionally, the value of one of the registers may be incorrect if an RTCCLK edge occurs during the read operation. The software must read all the registers twice, and then compare the results to confirm that the data is coherent and correct. Alternatively, the software can just compare the two results of the least-significant calendar register.

Note: While BYPSHAD=1, instructions which read the calendar registers require one extra APB cycle to complete.

19.3.8 Resetting the RTC

The calendar shadow registers (RTC_SSR, RTC_TR and RTC_DR) and the RTC status register (RTC_ISR) are reset to their default values by all available system reset sources.

On the contrary, the following registers are reset to their default values by a power-on reset and are not affected by a system reset: the RTC current calendar registers, the RTC control register (RTC_CR), the prescaler register (RTC_PRER), the RTC calibration register (RTC_CALR), the RTC shift register (RTC_SHIFTR), the RTC backup registers (RTC_BKPxR), the wakeup timer register (RTC_WUTR), the Alarm A registers (RTC_ALRMASR/RTC_ALRMAR).

In addition, the RTC keeps on running under system reset if the reset source is different from the power-on reset one. When a power-on reset occurs, the RTC is stopped and all the RTC registers are set to their reset values.

19.3.9 RTC synchronization

The RTC can be synchronized to a remote clock with a high degree of precision. After reading the sub-second field (RTC_SSR or RTC_TSSSR), a calculation can be made of the precise offset between the times being maintained by the remote clock and the RTC. The RTC can then be adjusted to eliminate this offset by “shifting” its clock by a fraction of a second using RTC_SHIFTR.

RTC_SSR contains the value of the synchronous prescaler counter. This allows to calculate the exact time being maintained by the RTC down to a resolution of $1 / (\text{PREDIV}_S + 1)$ seconds. As a consequence, the resolution can be improved by increasing the synchronous prescaler value (PREDIV_S[14:0]). The maximum resolution allowed (30.52 μ s with a 32768 Hz clock) is obtained with PREDIV_S set to 0x7FFF.

However, increasing PREDIV_S means that PREDIV_A must be decreased in order to maintain the synchronous prescaler's output at 1 Hz. In this way, the frequency of the asynchronous prescaler's output increases, which may increase the RTC dynamic consumption.

The RTC can be finely adjusted using the RTC shift control register (RTC_SHIFTR). Writing to RTC_SHIFTR can shift (either delay or advance) the clock by up to a second with a resolution of $1 / (\text{PREDIV_S} + 1)$ seconds. The shift operation consists of adding the SUBFS[14:0] value to the synchronous prescaler counter SS[15:0]: this delays the clock. If at the same time the ADD1S bit is set, this results in adding one second and at the same time subtracting a fraction of a second, so this advances the clock.

Caution: Before initiating a shift operation, the user must check that SS[15] = 0 in order to ensure that no overflow occurs.

As soon as a shift operation is initiated by a write to the RTC_SHIFTR register, the SHPF flag is set by hardware to indicate that a shift operation is pending. This bit is cleared by hardware as soon as the shift operation has completed.

19.3.10 RTC smooth digital calibration

The RTC frequency can be digitally calibrated with a resolution of about 0.954 ppm with a range from -487.1 ppm to +488.5 ppm. The correction of the frequency is performed using a series of small adjustments (adding and/or subtracting individual RTCCLK pulses). These adjustments are fairly well distributed so that the RTC is well calibrated even when observed over short durations of time.

The smooth digital calibration is performed during a cycle of about 220 RTCCLK pulses, or 32 seconds when the input frequency is 32768 Hz. This cycle is maintained by a 20-bit counter, calib_cnt[19:0], clocked by RTCCLK.

The smooth calibration register (RTC_CALR) specifies the number of RTCCLK clock cycles to be masked during the 32-second cycle:

- Setting the bit CALM[0] to 1 causes exactly one pulse to be masked during the 32-second cycle
- Setting CALM[1] to 1 causes two additional cycles to be masked
- Setting SMC[2] to 1 causes four additional cycles to be masked
- and so on up to SMC[8] set to 1 which causes 256 clocks to be masked

Note: CALM[8:0] (RTC_CALR) specifies the number of RTCCLK pulses to be masked during the 32-second cycle. Setting the bit CALM[0] to '1' causes exactly one pulse to be masked during the 32-second cycle at the moment when cal_cnt[19:0] is 0x80000; CALM[1]=1 causes two other cycles to be masked (when cal_cnt is 0x40000 and 0xC0000); SMC[2]=1 causes four other cycles to be masked (cal_cnt = 0x20000/0x60000/0xA0000/ 0xE0000); and so on up to SMC[8]=1 which causes 256 clocks to be masked (cal_cnt = 0xXX800).

While CALM allows the RTC frequency to be reduced by up to 487.1 ppm ($511/(220+511)$) with fine resolution, the bit CALP can be used to increase the frequency by 488.5 ppm ($512/(220-512)$). Setting CALP to '1' effectively inserts an extra RTCCLK pulse every 211 RTCCLK cycles, which means that 512 clocks are added during every 32-second cycle.

Using CALM together with CALP, an offset ranging from -511 to +512 RTCCLK cycles can be added during the 32-second cycle, which translates to a calibration range of -487.1 ppm to +488.5 ppm with a resolution of about 0.954 ppm.

The formula to calculate the effective calibrated frequency (FCAL) given the input frequency (FRTCCLK) is as follows:

$$F_{\text{CAL}} = F_{\text{RTCCLK}} \times [1 + (\text{CALP} \times 512 - \text{CALM}) / (2^{20} + \text{CALM} - \text{CALP} \times 512)]$$

Calibration when PREDIV_A < 3

The CALP bit can not be set to 1 when the asynchronous prescaler value (PREDIV_A bits in RTC_PRER register) is less than 3. If CALP was already set to 1 and PREDIV_A bits are set to a value less than 3, CALP is ignored and the calibration operates as if CALP was equal to 0.

To perform a calibration with PREDIV_A less than 3, the synchronous prescaler value (PREDIV_S) should be reduced so that each second is accelerated by 8 RTCCLK clock cycles, which is equivalent to adding 256 clock cycles every 32 seconds. As a result, between 255 and 256 clock pulses (corresponding to a calibration range from 243.3 to 244.1 ppm) can effectively be added during each 32-second cycle using only the CALM bits.

With a nominal RTCCLK frequency of 32768 Hz, when PREDIV_A equals 1 (division factor of 2), PREDIV_S should be set to 16379 rather than 16383 (4 less). The only other interesting case is when PREDIV_A equals 0, PREDIV_S should be set to 32759 rather than 32767 (8 less).

If PREDIV_S is reduced in this way, the formula giving the effective frequency of the calibrated input clock is as follows:

$$F_{\text{CAL}} = F_{\text{RTCCLK}} \times [1 + (256 - \text{CALM}) / (2^{20} + \text{CALM} - 256)]$$

In this case, CALM[7:0] equals 0x100 (the midpoint of the CALM range) is the correct setting if RTCCLK is exactly 32768.00 Hz.

Note: *The case PREDIV_A=2 (asynchronous prescaler divides by 3) seems unlikely to be useful unless the nominal input frequency is a multiple of 3. For example, if RTCCLK is nominally 98304 Hz (32768 Hz x 3), setting PREDIV_S to 32759 rather than 32767 (8 less) would render the above formula valid.*

Verifying the RTC calibration

RTC precision is ensured by measuring the precise frequency of R_{TCCLK} and calculating the correct CALM value and CALP values. An optional 1 Hz output is provided to allow applications to measure and verify the RTC precision.

Measuring the precise frequency of the RTC over a limited interval can result in a measurement error of up to 2 R_{TCCLK} clock cycles over the measurement period, depending on how the digital calibration cycle is aligned with the measurement period.

However, this measurement error can be eliminated if the measurement period is the same length as the calibration cycle period. In this case, the only error observed is the error due to the resolution of the digital calibration.

- By default, the calibration cycle period is 32 seconds.

Using this mode and measuring the accuracy of the 1 Hz output over exactly 32 seconds guarantees that the measure is within 0.477 ppm (0.5 R_{TCCLK} cycles over 32 seconds, due to the limitation of the calibration resolution).

- CALW16 bit of the RTC_CALR register can be set to 1 to force a 16-second calibration cycle period.

In this case, the RTC precision can be measured during 16 seconds with a maximum error of 0.954 ppm (0.5 R_{TCCLK} cycles over 16 seconds). However, since the calibration resolution is reduced, the long term RTC precision is also reduced to 0.954 ppm: CALM[0] bit is stuck at 0 when CALW16 is set to 1.

- CALW8 bit of the RTC_CALR register can be set to 1 to force a 8-second calibration cycle period.

In this case, the RTC precision can be measured during 8 seconds with a maximum error of 1.907 ppm (0.5 R_{TCCLK} cycles over 8 s). The long term RTC precision is also reduced to 1.907 ppm: CALM[1:0] bits are stuck at 00 when CALW8 is set to 1.

Re-calibration on-the-fly

The calibration register (RTC_CALR) can be updated on-the-fly while RTC_ISR/INITF=0, by using the following process:

1. Poll the RTC_ISR/RECALPF (re-calibration pending flag).
2. If it is set to 0, write a new value to RTC_CALR, if necessary. RECALPF is then automatically set to 1.
3. Within three ck_{apre} cycles after the write operation to RTC_CALR, the new calibration settings take effect.

Note: *RECALPF then becomes '0' automatically. Note that RECALPF can stay at '1' for as long as 4 ck_{apre} cycles plus 2 system clock cycles after writing to RTC_CALR. During initialization mode (RTC_ISR/INIT=1), RECALPF can stay at '1' indefinitely.*

19.3.11 Calibration clock output

When the COE bit is set to 1 in the RTC_CR register, a reference clock is provided on the RTC_CALIB device output.

Note: *This RTC_CALIB information is output on the RTC_OUT I/O signal if the I/O is programmed with the associated AFx mode, see Section 5: Power controller (PWRC).*

If the COSEL bit in the RTC_CR register is reset and PREDIV_A = 0x7F, the RTC_CALIB frequency is $f_{RTCCLK}/64$. This corresponds to a calibration output at 512 Hz for an R_{TCCLK} frequency at 32.768 kHz. The RTC_CALIB duty cycle is irregular: there is a light jitter on falling edges. It is therefore recommended to use rising edges.

When COSEL is set and "PREDIV_S+1" is a non-zero multiple of 256 (i.e: PREDIV_S[7:0] = 0xFF), the RTC_CALIB frequency is $f_{RTCCLK}/(256 * (PREDIV_A+1))$. This corresponds to a calibration output at 1 Hz for prescaler default values (PREDIV_A = 0x7F, PREDIV_S = 0xFF), with an RTCCLK frequency at 32.768 kHz.

19.3.12 Alarm output

The OSEL[1:0] control bits in the RTC_CR register are used to activate the alarm alternate function output RTC_ALARM, and to select the function which is output. These functions reflect the contents of the corresponding flags in the RTC_ISR register. The polarity of the output is determined by the POL control bit in RTC_CR so that the opposite of the selected flag bit is output when POL is set to 1.

Note: The RTC_ALARM is output on the RTC_OUT I/O signal if the I/O is programmed with the associated AFx mode, see [Section 5: Power controller \(PWRC\)](#).

Note: Once the RTC_ALARM output is enabled, it has priority over RTC_CALIB (COE bit must be kept cleared, which means the RTC_OUT I/O outputs the RTC_ALARM).

19.4 RTC low-power modes

The RTC is able to run in Deepstop mode and generate a wakeup event to wake the device through RTC alarm and RTC wakeup root cause.

Note: The software has to clear the RTC_ISR.WUTF flag in the RTC after a wakeup, otherwise it prevents from going into low-power again. The PWRC block only mirrors the RTC wakeup signal in its own wakeup flag register.

19.5 RTC interrupts

All RTC interrupts are combined and connected to the NVIC controller. Refer to [Section 2.3.2: Interrupts](#).

To enable the RTC alarm interrupt, the following sequence is required:

1. Configure and enable the RTC_ALARM IRQ channel in the NVIC
2. Configure the RTC to generate RTC alarms (alarm A)

To enable the wakeup timer interrupt, the following sequence is required:

1. Configure and enable the RTC IRQ channel in the NVIC
2. Configure the RTC to detect the WUT event

19.6 RTC registers

Refer to [Section 1.5: Acronyms](#) of the reference manual for a list of abbreviations used in register descriptions. The peripheral registers can be accessed by words (32-bit).

19.6.1 RTC time register (RTC_TR)

The RTC_TR is the calendar time shadow register. This register must be written in initialization mode only. Refer to [Section 19.3.7: Reading the calendar](#).

This register is write protected. The write access procedure is described in [Section 19.3.6: RTC initialization and configuration](#).

Address offset: 0x00

Power-on reset value: 0x0000 0000

System reset: 0x0000 0000 when BYPSHAD = 0 . Not affected when BYPSHAD = 1.

| | | | | | | | | | | | | | | | |
|------|----------|------|------|----------|------|------|------|------|---------|---------|---------|---------|----|----|----|
| 31 | 30 | 29 | 28 | 27 | 26 | 25 | 24 | 23 | 22 | 21 | 20 | 19 | 18 | 17 | 16 |
| Res. | Res. | Res. | Res. | Res. | Res. | Res. | Res. | Res. | PM | HT[1:0] | HU[3:0] | | | | |
| | | | | | | | | | rw | rw | rw | rw | rw | rw | rw |
| 15 | 14 | 13 | 12 | 11 | 10 | 9 | 8 | 7 | 6 | 5 | 4 | 3 | 2 | 1 | 0 |
| Res. | MNT[2:0] | | | MNU[3:0] | | | | Res. | ST[2:0] | | | SU[3:0] | | | |
| | rw | rw | rw | rw | rw | rw | rw | | rw | rw | rw | rw | rw | rw | rw |

| | |
|------------|--|
| Bits 31-23 | Reserved, must be kept at reset value. |
| Bit 22 | PM : AM/PM notation 0: AM or 24-hour format 1: PM |
| Bits 21:20 | HT[1:0] : Hour tens in BCD format |
| Bit 16:16 | HU[3:0] : Hour units in BCD format |
| Bit 15 | Reserved, must be kept at reset value. |
| Bits 14:12 | MNT[2:0] : Minute tens in BCD format |
| Bit 11:8 | MNU[3:0] : Minute units in BCD format |
| Bit 7 | Reserved, must be kept at reset value. |
| Bits 6:4 | ST[2:0] : Second tens in BCD format |
| Bit 3:0 | SU[3:0] : Second units in BCD format |

19.6.2 RTC date register (RTC_DR)

The RTC_TR is the calendar time shadow register. This register must be written in initialization mode only. Refer to [Section 19.3.7: Reading the calendar](#).

This register is write protected. The write access procedure is described in [Section 19.3.6: RTC initialization and configuration](#).

Address offset: 0x04

Power-on reset value: 0x0000 2101

System reset: 0x0000 2101 when BYPSHAD = 0. Not affected when BYPSHAD = 1.

| | | | | | | | | | | | | | | | |
|----------|------|------|------|---------|------|------|------|---------|------|---------|----|---------|----|----|----|
| 31 | 30 | 29 | 28 | 27 | 26 | 25 | 24 | 23 | 22 | 21 | 20 | 19 | 18 | 17 | 16 |
| Res. | Res. | Res. | Res. | Res. | Res. | Res. | Res. | YT[3:0] | | | | YU[3:0] | | | |
| | | | | | | | | rw | rw | rw | rw | rw | rw | rw | rw |
| 15 | 14 | 13 | 12 | 11 | 10 | 9 | 8 | 7 | 6 | 5 | 4 | 3 | 2 | 1 | 0 |
| WDU[2:0] | | | MT | MU[3:0] | | | | Res. | Res. | DT[1:0] | | DU[3:0] | | | |
| rw | rw | rw | rw | rw | rw | rw | rw | | | rw | rw | rw | rw | rw | rw |

| | |
|------------|--|
| Bits 31:24 | Reserved, must be kept at reset value. |
| Bits 23:20 | YT[3:0] : Year tens in BCD format. |
| Bits 19:16 | YU[3:0] : Year units in BCD format. |
| Bits 15:13 | WDU[2:0] : Week day units. 000: forbidden 001: Monday ... 111: Sunday |
| Bit 12 | MT : Month tens in BCD format. |
| Bits 11:8 | MU : Month units in BCD format. |
| Bits 7:6 | Reserved, must be kept at reset value. |
| Bits 5:4 | DT[1:0] : Date tens in BCD format. |
| Bits 3:0 | DU[3:0] : Date units in BCD format. |

19.6.3 RTC control register (RTC_CR)

Address offset: 0x08

Power-on reset value: 0x0000 0000

System reset: not affected

| | | | | | | | | | | | | | | | |
|------|-------|------|--------|------|------|------|-------|------|-----------|-------------|------|-------|--------------|-------|-------|
| 31 | 30 | 29 | 28 | 27 | 26 | 25 | 24 | 23 | 22 | 21 | 20 | 19 | 18 | 17 | 16 |
| Res. | Res. | Res. | Res. | Res. | Res. | Res. | Res. | COE | OSEL[1:0] | | POL | COSEL | BKP | SUB1H | ADD1H |
| | | | | | | | | rw | rw | rw | rw | rw | rw | w | w |
| 15 | 14 | 13 | 12 | 11 | 10 | 9 | 8 | 7 | 6 | 5 | 4 | 3 | 2 | 1 | 0 |
| Res. | WUTIE | Res. | ALRAIE | Res. | WUTE | Res. | ALRAE | Res. | FMT | BYPS HAD | Res. | Res. | WUCKSEL[2:0] | | |
| | rw | | rw | | rw | | rw | | rw | rw | | | rw | rw | rw |

| | |
|------------|--|
| Bits 31:25 | Reserved, must be kept at reset value. |
| Bit 23 | COE : Calibration output enable. This bit enables the RTC_CALIB output. 0: Calibration output disabled 1: Calibration output enabled |
| Bits 22:21 | OSEL[1:0] : Output selection. These bits are used to select the flag to be routed to RTC_OUT output. 00: Output disabled 01: Alarm A output enabled 10: 11: Wakeup output enabled |
| Bit 20 | POL : Output polarity. This bit is used to configure the polarity of RTC_ALARM output. 0: The pin is high when ALRAF/WUTF is asserted (depending on OSEL[1:0]) 1: The pin is low when ALRAF/WUTF is asserted (depending on OSEL[1:0]) |
| Bit 19 | COSEL : Calibration output selection. When COE=1, this bit selects which signal is output on RTC_CALIB. 0: Calibration output is 512 Hz 1: Calibration output is 1 Hz These frequencies are valid for R _{TCCLK} at 32.768 kHz and prescalers at their default values (PREDIV_A=127 and PREDIV_S=255). Refer to Section 19.3.11: Calibration clock output . |
| Bit 18 | BKP : Backup This bit can be written by the user to memorize whether the daylight saving time change has been performed or not. |
| Bit 17 | SUB1H : Subtract 1 hour (winter time change). When this bit is set outside initialization mode, 1 hour is subtracted to the calendar time if the current hour is not 0. This bit is always read as 0. Setting this bit has no effect when current hour is 0. 0: No effect 1: Subtracts 1 hour to the current time. This can be used for winter time change. |
| Bit 16 | ADD1H : Add 1 hour (summer time change). When this bit is set outside initialization mode, 1 hour is added to the calendar time. This bit is always read as 0. 0: No effect 1: Adds 1 hour to the current time. This can be used for summer time change. |

| | |
|----------|---|
| Bit 15 | Reserved, must be kept at reset value. |
| Bit 14 | WUTIE : Wakeup timer interruptenable. 0: Wakeup timer interrupt disabled 1: Wakeup timer interrupt enabled |
| Bit 13 | Reserved, must be kept at reset value. |
| Bit 12 | ALRAIE : Alarm A interrupt enable 0: Alarm A interrupt disabled 1: Alarm A interrupt enabled |
| Bit 11 | Reserved, must be kept at reset value. |
| Bit 10 | WUTE : Wakeup timer enable. 0: Wakeup timer disabled 1: Wakeup timer enabled |
| Bit 9 | Reserved, must be kept at reset value. |
| Bit 8 | ALRAE : Alarm A enable. 0: Alarm A disabled 1: Alarm A enabled |
| Bit 7 | Reserved, must be kept at reset value. |
| Bit 6 | FMT : Hour format. 0: 24 hour/day format 1: AM/PM hour format |
| Bit 5 | BYPSHAD : Bypass the shadow registers. 0: Calendar values (when reading from RTC_SSR, RTC_TR, and RTC_DR) are taken by the shadow registers, which are updated once every two RTCCLK cycles 1: Calendar values (when reading from RTC_SSR, RTC_TR, and RTC_DR) are taken directly by the calendar counters Note: If the frequency of the APB1 clock is less than seven times the frequency of RTCCLK, BYPSHAD must be set to '1'. |
| Bit 4 | Reserved, must be kept at reset value. |
| Bit 3 | Reserved, must be kept at reset value. |
| Bits 2:0 | WUCKSEL[2:0] : wakeup clock selection 000: RTC/16 clock is selected. 001: RTC/8 clock is selected 010: RTC/4 clock is selected 011: RTC/2 clock is selected 10x: ck_spre (usually 1 Hz) clock is selected 11x: ck_spre (usually 1 Hz) clock is selected and 216 is added to the WUT counter value (see note below) |

- Note:**
1. Bits 7, 6 and 4 of this register can be written in initialization mode only (RTC_ISR/INITF = 1).
 2. WUT = wakeup unit counter value. $WUT = (0x0000 \text{ to } 0xFFFF) + 0x10000$ added when WUCKSEL[2:1 = 11].
 3. Bits 2 to 0 of this register can be written only when RTC_CR WUTE bit = 0 and RTC_ISR WUTWF bit = 1.
 4. It is recommended not to change the hour during the calendar hour increment as it could mask the incrementation of the calendar hour.
 5. ADD1H and SUB1H changes are effective in the next second.
 6. This register is write protected. The write access procedure is described in RTC registers.

19.6.4 RTC initialization and status register (RTC_ISR)

This register is write protected (except for RTC_ISR[-17:8] bits).

The write access procedure is described in Section 19.6.3: RTC control register (RTC_CR).

Address offset: 0x0C

Reset value: 0x0000 0007

| | | | | | | | | | | | | | | | |
|------|------|------|------|------|-------|------|-------|------|-------|-------|-------|-------|-------|------|----------|
| 31 | 30 | 29 | 28 | 27 | 26 | 25 | 24 | 23 | 22 | 21 | 20 | 19 | 18 | 17 | 16 |
| Res. | Res. | Res. | Res. | Res. | Res. | Res. | Res. | Res. | Res. | Res. | Res. | Res. | Res. | Res. | RECAL PF |
| | | | | | | | | | | | | | | | r |
| 15 | 14 | 13 | 12 | 11 | 10 | 9 | 8 | 7 | 6 | 5 | 4 | 3 | 2 | 1 | 0 |
| Res. | Res. | Res. | Res. | Res. | WUTF | Res. | ALRAF | INIT | INITF | RSF | INITS | SHPF | WUTWF | | ALRAW F |
| | | | | | rc_w0 | | rc_w0 | nw | r | rc_w0 | r | rc_w0 | r | | r |

| | |
|------------|---|
| Bits 31:18 | Reserved, must be kept at reset value. |
| Bit 16 | RECALPF : Recalibration pending Flag. The RECALPF status flag is automatically set to '1' when software writes to the RTC_CALR register, indicating that the RTC_CALR register is blocked. When the new calibration settings are taken into account, this bit returns to '0'. |
| Bit 15 | Reserved, must be kept at reset value. |
| Bit 14 | Reserved, must be kept at reset value. |
| Bit 13 | Reserved, must be kept at reset value. |
| Bit 12 | Reserved, must be kept at reset value. |
| Bit 11 | Reserved, must be kept at reset value. |
| Bit 10 | WUTF : wakeup timer flag This flag is set by hardware when the wakeup auto-reload counter reaches 0. This flag is cleared by software by writing 0. This flag must be cleared by software at least 1.5 R _{TCLK} periods before WUTF is set to 1 again. |
| Bit 9 | Reserved, must be kept at reset value. |
| Bit 8 | ALRAF : Alarm A flag. This flag is set by hardware when the time/date registers (RTC_TR and RTC_DR) match the alarm A register (RTC_ALRMAR). This flag is cleared by software by writing 0. |
| Bit 7 | INIT : Initialization mode. 0: Free running mode 1: Initialization mode used to program time and date register (RTC_TR and RTC_DR), and prescaler register (RTC_PRER). Counters are stopped and start counting from the new value when INIT is reset. |
| Bit 6 | INITF : Initialization flag. When this bit is set to 1, the RTC is in initialization state, and the time, date and prescaler registers can be updated. 0: Calendar registers update is not allowed 1: Calendar registers update is allowed |
| Bit 5 | RSF : Register synchronization flag. This bit is set by hardware each time the calendar registers are copied into the shadow registers (RTC_SSRx, RTC_TRx and RTC_DRx). This bit is cleared by hardware in initialization mode, while a shift operation is pending (SHPF=1), or when in bypass shadow register mode (BYPHAD=1). This bit can also be cleared by software. It is cleared either by software or by hardware in initialization mode. 0: Calendar shadow registers not yet synchronized |

| | |
|-------|---|
| | 1: Calendar shadow registers synchronized |
| Bit 4 | <p>INITS: Initialization status flag. This bit is set by hardware when the calendar year field is different from 0 (power-on reset state).</p> <p>0: Calendar has not been initialized 1: Calendar has been initialized</p> |
| Bit 3 | <p>SHPF: Shift operation pending. 0: No shift operation is pending 1: A shift operation is pending</p> <p>This flag is set by hardware as soon as a shift operation is initiated by a write to the RTC_SHIFTR register. It is cleared by hardware when the corresponding shift operation has been executed. Writing to the SHPF bit has no effect.</p> |
| Bit 2 | <p>WUTWF: wakeup timer write flag. This bit is set by hardware when the wakeup timer values can be changed, after the WUTE bit has been set to 0 in RTC_CR.</p> <p>0: wakeup timer configuration update not allowed 1: wakeup timer configuration update allowed</p> |
| Bit 0 | <p>ALRAWF: Alarm A write flag. This bit is set by hardware when alarm A values can be changed, after the ALRAE bit has been set to 0 in RTC_CR. It is cleared by hardware in initialization mode.</p> <p>0: Alarm A update not allowed 1: Alarm A update allowed</p> |

Note: The bits **ALRAF**, **WUTF** are cleared 2 APB clock cycles after programming them to 0.

19.6.5 RTC prescaler register (RTC_PRER)

This register must be written in initialization mode only. The initialization must be performed in two separate write accesses.

This register is write protected. The write access procedure is described in RTC registers.

Address offset: 0x10

Power-on reset value: 0x007F 00FF

System reset: not affected

| | | | | | | | | | | | | | | | |
|------|----------------|------|------|------|------|------|------|------|---------------|----|----|----|----|----|----|
| 31 | 30 | 29 | 28 | 27 | 26 | 25 | 24 | 23 | 22 | 21 | 20 | 19 | 18 | 17 | 16 |
| Res. | Res. | Res. | Res. | Res. | Res. | Res. | Res. | Res. | PREDIV_A[6:0] | | | | | | |
| | | | | | | | | | rw | rw | rw | rw | rw | rw | rw |
| 15 | 14 | 13 | 12 | 11 | 10 | 9 | 8 | 7 | 6 | 5 | 4 | 3 | 2 | 1 | 0 |
| Res. | PREDIV_S[14:0] | | | | | | | | | | | | | | |
| | rw | rw | rw | rw | rw | rw | rw | rw | rw | rw | rw | rw | rw | rw | rw |

| | |
|------------|---|
| Bits 31:23 | Reserved, must be kept at reset value. |
| Bits 22:16 | PREDIV_A[6:0] : Asynchronous prescaler factor. This is the asynchronous division factor: $ck_apre\ frequency = RTCCLK\ frequency / (PREDIV_A + 1)$ |
| Bit 15 | Reserved, must be kept at reset value. |
| Bits 14:0 | PREDIV_S[14:0] : Synchronous prescaler factor. This is the synchronous division factor: $ck_spre\ frequency = ck_apre\ frequency / (PREDIV_S + 1)$ |

19.6.6 RTC wakeup timer register (RTC_WUTR)

This register can be written only when WUTWF is set to 1 in RTC_ISR.

This register is write protected. The write access procedure is described in [Section 19.6: RTC registers](#).

Address offset: 0x14

Power-on reset value: 0x0000 FFFF

System reset: not affected

| | | | | | | | | | | | | | | | |
|-----------|------|------|------|------|------|------|------|------|------|------|------|------|------|------|------|
| 31 | 30 | 29 | 28 | 27 | 26 | 25 | 24 | 23 | 22 | 21 | 20 | 19 | 18 | 17 | 16 |
| Res. | Res. | Res. | Res. | Res. | Res. | Res. | Res. | Res. | Res. | Res. | Res. | Res. | Res. | Res. | Res. |
| 15 | 14 | 13 | 12 | 11 | 10 | 9 | 8 | 7 | 6 | 5 | 4 | 3 | 2 | 1 | 0 |
| WUT[15:0] | | | | | | | | | | | | | | | |
| rw | rw | rw | rw | rw | rw | rw | rw | rw | rw | rw | rw | rw | rw | rw | rw |

| | |
|------------|--|
| Bits 31:16 | Reserved, must be kept at reset value. |
| Bits 15:0 | WUT[15:0] : wakeup auto-reload value bits. When the wakeup timer is enabled (WUTE set to 1), the WUTF flag is set every (WUT[15:0] + 1) ck_wut cycles. The ck_wut period is selected through WUCKSEL[2:0] bits of the RTC_CR register. When WUCKSEL[2] = 1, the wakeup timer becomes 17-bits and WUCKSEL[1] effectively becomes WUT[16] the most-significant bit to be reloaded into the timer. The first assertion of WUTF occurs (WUT+1) ck_wut cycles after WUTE is set. Setting WUT[15:0] to 0x0000 with WUCKSEL[2:0] = 011 (RTCCLK/2) is forbidden. |

19.6.7 RTC alarm A register (RTC_ALRMAR)

This register can be written only when ALRAWF is set to 1 in RTC_ISR, or in initialization mode.

This register is write protected. The write access procedure is described in [Section 19.6: RTC registers](#).

Address offset: 0x1C

Power-on reset value: 0x0000 0000

System reset: not affected

| | | | | | | | | | | | | | | | |
|------|----------|---------|----|----------|----|----|----|------|---------|---------|----|---------|----|----|----|
| 31 | 30 | 29 | 28 | 27 | 26 | 25 | 24 | 23 | 22 | 21 | 20 | 19 | 18 | 17 | 16 |
| MSK4 | WDSEL | DT[1:0] | | DU[3:0] | | | | MSK3 | PM | HT[1:0] | | HU[3:0] | | | |
| rw | rw | rw | rw | rw | rw | rw | rw | rw | rw | rw | rw | rw | rw | rw | rw |
| 15 | 14 | 13 | 12 | 11 | 10 | 9 | 8 | 7 | 6 | 5 | 4 | 3 | 2 | 1 | 0 |
| MSK2 | MNT[2:0] | | | MNU[3:0] | | | | MSK1 | ST[2:0] | | | SU[3:0] | | | |
| rw | rw | rw | rw | rw | rw | rw | rw | rw | rw | rw | rw | rw | rw | rw | rw |

| | |
|------------|--|
| Bit 31 | MSK4: Alarm A date mask 0: Alarm A set if the date/day match 1: Date/day do not care in Alarm A comparison |
| Bit 30 | WDSEL: Week day selection 0: DU[3:0] represents the date units 1: DU[3:0] represents the week day. Do not care DT[1:0] |
| Bits 29:28 | DT[1:0]: Date tens in BCD format |
| Bits 27:24 | DU[3:0]: Date units or day in BCD format |
| Bit 23 | MSK3: Alarm A hours mask 0: Alarm A set if the hours match 1: Hours do not care in Alarm A comparison |
| Bit 22 | PM: AM/PM notation 0: AM or 24-hour format 1: PM |
| Bits 21:20 | HT[1:0]: Hour tens in BCD format |
| Bits 19:16 | HU[3:0]: Hour units in BCD format |
| Bit 15 | MSK2: Alarm A minutes mask 0: Alarm A set if the minutes match 1: Minutes do not care in Alarm A comparison |
| Bits 14:12 | MNT[2:0]: Minute tens in BCD format |
| Bits 11:8 | MNU[3:0]: Minute units in BCD format |
| Bit 7 | MSK1: Alarm A seconds mask 0: Alarm A set if the seconds match 1: Seconds do not care in Alarm A comparison |
| Bits 6:4 | ST[2:0]: Second tens in BCD format |
| Bits 3:0 | SU[3:0]: Second units in BCD format |

19.6.8 RTC write protection register (RTC_WPR)

Address offset: 0x24

Reset value: 0x0000 0000

| | | | | | | | | | | | | | | | |
|------|------|------|------|------|------|------|------|----------|------|------|------|------|------|------|------|
| 31 | 30 | 29 | 28 | 27 | 26 | 25 | 24 | 23 | 22 | 21 | 20 | 19 | 18 | 17 | 16 |
| Res. | Res. | Res. | Res. | Res. | Res. | Res. | Res. | Res. | Res. | Res. | Res. | Res. | Res. | Res. | Res. |
| 15 | 14 | 13 | 12 | 11 | 10 | 9 | 8 | 7 | 6 | 5 | 4 | 3 | 2 | 1 | 0 |
| Res. | Res. | Res. | Res. | Res. | Res. | Res. | Res. | KEY[7:0] | | | | | | | |
| | | | | | | | | w | w | w | w | w | w | w | w |

| | |
|-----------|---|
| Bits 31:8 | Reserved, must be kept at reset value. |
| Bits 7:0 | KEY[7:0]: Write protection key. This byte is written by software. Reading this byte always returns 0x00. Refer to Section 19.6: RTC registers for a description of how to unlock RTC register write protection. |

19.6.9 RTC sub-second register (RTC_SSR)

Address offset: 0x28

Power-on reset value: 0x0000 0000

System reset: 0x0000 0000 when BYPSHAD = 0. Not affected when BYPSHAD = 1.

| | | | | | | | | | | | | | | | |
|----------|------|------|------|------|------|------|------|------|------|------|------|------|------|------|------|
| 31 | 30 | 29 | 28 | 27 | 26 | 25 | 24 | 23 | 22 | 21 | 20 | 19 | 18 | 17 | 16 |
| Res. | Res. | Res. | Res. | Res. | Res. | Res. | Res. | Res. | Res. | Res. | Res. | Res. | Res. | Res. | Res. |
| 15 | 14 | 13 | 12 | 11 | 10 | 9 | 8 | 7 | 6 | 5 | 4 | 3 | 2 | 1 | 0 |
| SS[15:0] | | | | | | | | | | | | | | | |
| r | r | r | r | r | r | r | r | r | r | r | r | r | r | r | r |

| | |
|-----------|---|
| Bits31:16 | Reserved, must be kept at reset value. |
| Bits 15:0 | SS: Sub-second value. SS[15:0] is the value in the synchronous prescaler counter. The fraction of a second is given by the formula below: $\text{Second fraction} = (\text{PREDIV_S} - \text{SS}) / (\text{PREDIV_S} + 1)$ Note: SS can be larger than PREDIV_S only after a shift operation. In that case, the correct time/date is one second less than as indicated by RTC_TR/RTC_DR. |

19.6.10 RTC shift control register (RTC_SHIFTR)

This register is write protected. The write access procedure is described in [Section 19.6.8: RTC write protection register \(RTC_WPR\)](#).

Address offset: 0x2C

Reset value: 0x0000 0000

| | | | | | | | | | | | | | | | |
|-------|-------------|------|------|------|------|------|------|------|------|------|------|------|------|------|------|
| 31 | 30 | 29 | 28 | 27 | 26 | 25 | 24 | 23 | 22 | 21 | 20 | 19 | 18 | 17 | 16 |
| ADD1S | Res. | Res. | Res. | Res. | Res. | Res. | Res. | Res. | Res. | Res. | Res. | Res. | Res. | Res. | Res. |
| w | | | | | | | | | | | | | | | |
| 15 | 14 | 13 | 12 | 11 | 10 | 9 | 8 | 7 | 6 | 5 | 4 | 3 | 2 | 1 | 0 |
| Res. | SUBFS[14:0] | | | | | | | | | | | | | | |
| | w | w | w | w | w | w | w | w | w | w | w | w | w | w | w |

| | |
|------------|--|
| Bit 31 | <p>ADD1S: Add one second.</p> <p>0: No effect</p> <p>1: Add one second to the clock/calendar</p> <p>This bit is "write" only and is always "read" as zero. Writing to this bit has no effect when a shift operation is pending (when SHPF=1, in RTC_ISR).</p> <p>This function is intended to be used with SUBFS (see description below) in order to effectively add a fraction of a second to the clock in an atomic operation.</p> |
| Bits 31:15 | Reserved, must be kept at reset value. |
| Bits 14:0 | <p>SUBFS: Subtract a fraction of a second.</p> <p>These bits are "write" only and are always "read" as zero. Writing to this bit has no effect when a shift operation is pending (when SHPF=1, in RTC_ISR).</p> <p>The value which is written to SUBFS is added to the synchronous prescaler's counter. Since this counter counts down, this operation effectively subtracts from (delays) the clock by:</p> <p>Delay (seconds) = $SUBFS / (PREDIV_S + 1)$</p> <p>A fraction of a second can effectively be added to the clock (advancing the clock) when the ADD1S function is used in conjunction with SUBFS, effectively advancing the clock by :</p> <p>Advance (seconds) = $(1 - (SUBFS / (PREDIV_S + 1)))$.</p> <p>Note: Writing to SUBFS causes RSF to be cleared. Software can then wait until RSF=1 to be sure that the shadow registers have been updated with the shifted time.</p> <p>Refer to Section 19.3.9: RTC synchronization.</p> |

19.6.11 RTC calibration register (RTC_CALR)

This register is "write" protected. The write access procedure is described in [Section 19.6.8: RTC write protection register \(RTC_WPR\)](#).

Address offset: 0x3C

Power-on reset value: 0x0000 0000

System reset: not affected

| | | | | | | | | | | | | | | | |
|------|-------|---------|------|------|------|------|-----------|------|------|------|------|------|------|------|------|
| 31 | 30 | 29 | 28 | 27 | 26 | 25 | 24 | 23 | 22 | 21 | 20 | 19 | 18 | 17 | 16 |
| Res. | Res. | Res. | Res. | Res. | Res. | Res. | Res. | Res. | Res. | Res. | Res. | Res. | Res. | Res. | Res. |
| 15 | 14 | 13 | 12 | 11 | 10 | 9 | 8 | 7 | 6 | 5 | 4 | 3 | 2 | 1 | 0 |
| CALP | CALW8 | CALW 16 | Res. | Res. | Res. | Res. | CALM[8:0] | | | | | | | | |
| rw | rw | rw | | | | | rw | rw | rw | rw | rw | rw | rw | rw | rw |

| | |
|-----------|---|
| Bit 31:16 | Reserved, must be kept at reset value. |
| Bit 15 | <p>CALP: Increase frequency of RTC by 488.5 ppm</p> <p>0: No RTCCLK pulses are added</p> <p>1: One RTCCLK pulse is effectively inserted every 211 pulses (frequency increased by 488.5 ppm).</p> <p>This feature is intended to be used in conjunction with CALM, which lowers the frequency of the calendar with a fine resolution. if the input frequency is 32768 Hz, the number of RTCCLK pulses added during a 32-second window is calculated as follows:</p> <p>$(512 * CALP) - CALM$.</p> <p>Refer to Section 19.3.10: RTC smooth digital calibration.</p> |
| Bit 14 | <p>CALW8: Use an 8-second calibration cycle period.</p> <p>When CALW8 is set to '1', the 8-second calibration cycle period is selected.</p> <p>Note: CALM[1:0] are stuck at "00" when CALW8 = '1'. Refer to Section 19.3.10: RTC smooth digital calibration.</p> |
| Bit 13 | <p>CALW16: Use a 16-second calibration cycle period.</p> <p>When CALW16 is set to '1', the 16-second calibration cycle period is selected. This bit must not be set to '1' if CALW8=1.</p> <p>Note: CALM[0] is stuck at '0' when CALW16 = '1'. Refer to Section 19.3.10: RTC smooth digital calibration.</p> |
| Bits 12:9 | Reserved, must be kept at reset value. |
| Bits 8:0 | <p>CALM[8:0]: Calibration minus</p> <p>The frequency of the calendar is reduced by masking CALM out of 2^{20} RTCCLK pulses (32 seconds if the input frequency is 32768 Hz). This decreases the frequency of the calendar with a resolution of 0.9537 ppm.</p> <p>To increase the frequency of the calendar, this feature should be used in conjunction with CALP. See Section 19.3.10: RTC smooth digital calibration.</p> |

19.6.12 RTC alarm A sub second register (RTC_ALRMASRR)

This register can be written only when ALRAE is reset in RTC_CR register, or in initialization mode.

This register is "write" protected. The write access procedure is described in [Section 19.6.8: RTC write protection register \(RTC_WPR\)](#).

Address offset: 0x44

Power-on reset value: 0x0000 0000

System reset: not affected

| | | | | | | | | | | | | | | | |
|------|----------|------|------|-------------|----|----|----|------|------|------|------|------|------|------|------|
| 31 | 30 | 29 | 28 | 27 | 26 | 25 | 24 | 23 | 22 | 21 | 20 | 19 | 18 | 17 | 16 |
| Res. | Res. | Res. | Res. | MASKSS[3:0] | | | | Res. | Res. | Res. | Res. | Res. | Res. | Res. | Res. |
| | | | | rw | rw | rw | rw | | | | | | | | |
| 15 | 14 | 13 | 12 | 11 | 10 | 9 | 8 | 7 | 6 | 5 | 4 | 3 | 2 | 1 | 0 |
| Res. | SS[14:0] | | | | | | | | | | | | | | |
| | rw | rw | rw | rw | rw | rw | rw | rw | rw | rw | rw | rw | w | rw | rw |

| | |
|-----------|--|
| Bit 31:28 | Reserved, must be kept at reset value. |
| Bit 27:24 | <p>MASKSS[3:0]: Mask the most-significant bits starting at this bit</p> <p>0: No comparison on sub seconds for Alarm A. The alarm is set when the seconds unit is incremented (assuming that the rest of the fields match).</p> <p>1: SS[14:1] are "do not care" in Alarm A comparison. Only SS[0] is compared.</p> <p>2: SS[14:2] are "do not care" in Alarm A comparison. Only SS[1:0] are compared.</p> <p>3: SS[14:3] are "do not care" in Alarm A comparison. Only SS[2:0] are compared.</p> <p>...</p> <p>12: SS[14:12] are "do not care" in Alarm A comparison SS[11:0] are compared</p> <p>13: SS[14:13] are "do not care" in Alarm A comparison. SS[12:0] are compared.</p> <p>14: SS[14] is "do not care" in Alarm A comparison. SS[13:0] are compared.</p> <p>15: All 15 SS bits are compared and must match to activate alarm</p> <p>The overflow bits of the synchronous counter (bits 15) are never compared. This bit can be different from 0 only after a shift operation.</p> |
| Bit 23:15 | Reserved, must be kept at reset value. |
| Bit 14:0 | <p>SS[14:0]: Sub seconds value</p> <p>This value is compared with the contents of the synchronous prescaler counter to determine if Alarm A is to be activated. Only bits 0 up MASKSS-1 are compared.</p> |

19.6.13 RTC backup registers (RTC_BKPxR)

Address offset: 0x50 to 0x54

Power-on reset value: 0x0000 0000

System reset: not affected

| | | | | | | | | | | | | | | | |
|------------|----|----|----|----|----|----|----|----|----|----|----|----|----|----|----|
| 31 | 30 | 29 | 28 | 27 | 26 | 25 | 24 | 23 | 22 | 21 | 20 | 19 | 18 | 17 | 16 |
| BKP[31:16] | | | | | | | | | | | | | | | |
| rw | rw | rw | rw | rw | rw | rw | rw | rw | rw | rw | rw | rw | rw | rw | rw |
| 15 | 14 | 13 | 12 | 11 | 10 | 9 | 8 | 7 | 6 | 5 | 4 | 3 | 2 | 1 | 0 |
| BKP[15:0] | | | | | | | | | | | | | | | |
| rw | rw | rw | rw | rw | rw | rw | rw | rw | rw | rw | rw | rw | w | rw | rw |

| | |
|-----------|--|
| Bits 31:0 | BKP[31:0] |
| | The application can write or read data to and from these registers. |
| | They are powered-on by VDD12o so they are retained during Deepstop mode. |
| | The application can write or read data to and from these registers. This register is reset on PORESETn only. |

19.6.14 RTC register map

Table 83. RTC register map and reset values

| Offset | Register | 31 | 30 | 29 | 28 | 27 | 26 | 25 | 24 | 23 | 22 | 21 | 20 | 19 | 18 | 17 | 16 | 15 | 14 | 13 | 12 | 11 | 10 | 9 | 8 | 7 | 6 | 5 | 4 | 3 | 2 | 1 | 0 |
|--------|-------------|------|------|------|------|------|------|------|------|---------|------------|----------|---------|---------|------|----------|---------|----------|---------|----------|--------|------|------|----------|-------|---------|-------|--------|-------|------|---------------|---|--------|
| 0x00 | RTC_TR | Res. | Res. | Res. | Res. | Res. | Res. | Res. | Res. | Res. | PM | HT [1:0] | | HU[3:0] | | | Res. | MNT[2:0] | | MNU[3:0] | | | Res. | ST[2:0] | | SU[3:0] | | | | | | | |
| | Reset value | | | | | | | | | | 0 | 0 | 0 | 0 | 0 | 0 | 0 | | 0 | 0 | 0 | 0 | 0 | 0 | 0 | | 0 | 0 | 0 | 0 | 0 | 0 | 0 |
| 0x04 | RTC_DR | Res. | Res. | Res. | Res. | Res. | Res. | Res. | Res. | YT[3:0] | | | YU[3:0] | | | WDU[2:0] | | MT | MU[3:0] | | | Res. | Res. | DT [1:0] | | DU[3:0] | | | | | | | |
| | Reset value | | | | | | | | | 0 | 0 | 0 | 0 | 0 | 0 | 0 | 0 | 0 | 0 | 1 | 0 | 0 | 0 | 0 | 0 | 1 | | | 0 | 0 | 0 | 0 | 0 |
| 0x08 | RTC_CR | Res. | Res. | Res. | Res. | Res. | Res. | Res. | Res. | COE | OSEL [1:0] | | POL | COSEL | BKP | SUB1H | ADD1H | Res. | WUTIE | Res | ALRAIE | Res | WUTE | Res | ALRAE | Res. | FMT | BYPHAD | Res. | Res. | WUCKSE L[2:0] | | |
| | Reset value | | | | | | | | | 0 | 0 | 0 | 0 | | 0 | 0 | 0 | | 0 | | 0 | | 0 | | 0 | | 0 | 0 | 0 | | 0 | 0 | 0 |
| 0x0C | RTC_ISR | Res. | Res. | Res. | Res. | Res. | Res. | Res. | Res. | Res. | Res. | Res. | Res. | Res. | Res. | Res. | RECALPF | Res. | Res | Res. | Res. | Res. | WUTF | Res. | ALRAF | INIT | INITF | RSF | INITS | SHPF | WUT WF | | ALRAWF |
| | Reset value | | | | | | | | | | | | | | | | 0 | | | | | | 0 | 0 | 0 | 0 | 0 | 0 | 0 | 0 | 1 | | 1 |

| Offset | Register | 31 | 30 | 29 | 28 | 27 | 26 | 25 | 24 | 23 | 22 | 21 | 20 | 19 | 18 | 17 | 16 | 15 | 14 | 13 | 12 | 11 | 10 | 9 | 8 | 7 | 6 | 5 | 4 | 3 | 2 | 1 | 0 | | | |
|--------|-------------|------|-------|----------|------|----------|------|------|------|------|---------------|------|----------|------|------|------|----------|----------------|----------|------|------|------|---------|------|----------|----------|---|---|---|---|---|---|---|---|---|--|
| 0x10 | RTC_PRER | Res. | Res. | Res. | Res. | Res. | Res. | Res. | Res. | Res. | PREDIV_A[6:0] | | | | | | Res. | PREDIV_S[14:0] | | | | | | | | | | | | | | | | | | |
| | Reset value | | | | | | | | | | 1 | 1 | 1 | 1 | 1 | 1 | 1 | | 0 | 0 | 0 | 0 | 0 | 0 | 0 | 0 | 1 | 1 | 1 | 1 | 1 | 1 | 1 | 1 | | |
| 0x14 | RTC_WUTR | Res. | Res. | Res. | Res. | Res. | Res. | Res. | Res. | Res. | Res. | Res. | Res. | Res. | Res. | Res. | Res. | WUT[15:0] | | | | | | | | | | | | | | | | | | |
| | Reset value | | | | | | | | | | | | | | | | | 1 | 1 | 1 | 1 | 1 | 1 | 1 | 1 | 1 | 1 | 1 | 1 | 1 | 1 | 1 | 1 | 1 | | |
| 0x1C | RTC_ALRMAR | MSK4 | WDSEL | DT [1:0] | | DUJ[3:0] | | | MSK3 | PM | HT [1:0] | | HUJ[3:0] | | | MSK2 | MNT[2:0] | | MNU[3:0] | | | MSK1 | ST[2:0] | | SUJ[3:0] | | | | | | | | | | | |
| | Reset value | 0 | 0 | 0 | 0 | 0 | 0 | 0 | 0 | 0 | 0 | 0 | 0 | 0 | 0 | 0 | 0 | 0 | 0 | 0 | 0 | 0 | 0 | 0 | 0 | 0 | 0 | 0 | 0 | 0 | 0 | 0 | 0 | 0 | | |
| 0x24 | RTC_WPR | Res. | Res. | Res. | Res. | Res. | Res. | Res. | Res. | Res. | Res. | Res. | Res. | Res. | Res. | Res. | Res. | Res. | Res. | Res. | Res. | Res. | Res. | Res. | Res. | KEY[7:0] | | | | | | | | | | |
| | Reset value | | | | | | | | | | | | | | | | | | | | | | | | 0 | 0 | 0 | 0 | 0 | 0 | 0 | 0 | 0 | 0 | 0 | |

| Offset | Register | 31 | 30 | 29 | 28 | 27 | 26 | 25 | 24 | 23 | 22 | 21 | 20 | 19 | 18 | 17 | 16 | 15 | 14 | 13 | 12 | 11 | 10 | 9 | 8 | 7 | 6 | 5 | 4 | 3 | 2 | 1 | 0 |
|--------|-------------|-----------|------|------|------|-------------|------|------|------|------|------|------|------|------|------|------|------|----------|-------------|--------|------|------|------|------|-----------|---|---|---|---|---|---|---|---|
| 0x28 | RTC_SSR | Res. | Res. | Res. | Res. | Res. | Res. | Res. | Res. | Res. | Res. | Res. | Res. | Res. | Res. | Res. | Res. | SS[15:0] | | | | | | | | | | | | | | | |
| | Reset value | | | | | | | | | | | | | | | | | 0 | 0 | 0 | 0 | 0 | 0 | 0 | 0 | 0 | 0 | 0 | 0 | 0 | 0 | 0 | 0 |
| 0x2C | RTC_SHIFTR | ADD1S | Res. | Res. | Res. | Res. | Res. | Res. | Res. | Res. | Res. | Res. | Res. | Res. | Res. | Res. | Res. | Res. | SUBFS[14:0] | | | | | | | | | | | | | | |
| | Reset value | 0 | | | | | | | | | | | | | | | | | 0 | 0 | 0 | 0 | 0 | 0 | 0 | 0 | 0 | 0 | 0 | 0 | 0 | 0 | 0 |
| 0x3C | RTC_CALR | Res. | Res. | Res. | Res. | Res. | Res. | Res. | Res. | Res. | Res. | Res. | Res. | Res. | Res. | Res. | Res. | CALP | CALW8 | CALW16 | Res. | Res. | Res. | Res. | CALM[8:0] | | | | | | | | |
| | Reset value | | | | | | | | | | | | | | | | | 0 | 0 | 0 | | | | | 0 | 0 | 0 | 0 | 0 | 0 | 0 | 0 | 0 |
| 0x40 | Reserved | | | | | | | | | | | | | | | | | | | | | | | | | | | | | | | | |
| 0x44 | RTC_ALRMASR | Res. | Res. | Res. | Res. | MASKSS[3:0] | | | | Res. | Res. | Res. | Res. | Res. | Res. | Res. | Res. | Res. | SS[14:0] | | | | | | | | | | | | | | |
| | Reset value | | | | | 0 | 0 | 0 | 0 | | | | | | | | | | 0 | 0 | 0 | 0 | 0 | 0 | 0 | 0 | 0 | 0 | 0 | 0 | 0 | 0 | 0 |
| 0x50 | RTC_BKP0R | BKP[31:0] | | | | | | | | | | | | | | | | | | | | | | | | | | | | | | | |
| | Reset value | 0 | 0 | 0 | 0 | 0 | 0 | 0 | 0 | 0 | 0 | 0 | 0 | 0 | 0 | 0 | 0 | 0 | 0 | 0 | 0 | 0 | 0 | 0 | 0 | 0 | 0 | 0 | 0 | 0 | 0 | 0 | 0 |
| 0x54 | RTC_BKP1R | BKP[31:0] | | | | | | | | | | | | | | | | | | | | | | | | | | | | | | | |
| | Reset value | 0 | 0 | 0 | 0 | 0 | 0 | 0 | 0 | 0 | 0 | 0 | 0 | 0 | 0 | 0 | 0 | 0 | 0 | 0 | 0 | 0 | 0 | 0 | 0 | 0 | 0 | 0 | 0 | 0 | 0 | 0 | 0 |



Refer to [Section 2.2.2: Memory map and register boundary addresses](#) for the register boundary addresses.

20 Independent watchdog (IWDG)

20.1 Introduction

The devices feature an embedded watchdog peripheral which offers a combination of high safety level, timing accuracy and flexibility of use. The independent watchdog peripheral serves to detect and resolves malfunctions due to software failure, and to trigger system reset when the counter reaches a given timeout value.

The independent watchdog (IWDG) is clocked by its own dedicated low-speed clock (LSI) and thus remains active even if the main clock fails.

The IWDG is best suited to applications which require the watchdog to run as a totally independent process outside the main application, but have lower timing accuracy constraints.

20.2 IWDG main features

- Free-running down-counter
- Clocked from an independent RC oscillator (can operate in standby and stop modes)
- Conditional Reset
 - Reset (if watchdog activated) when the down-counter value becomes less than 000h
 - Reset (if watchdog activated) if the down-counter is reloaded outside the window

20.3 IWDG functional description

Figure 93. Independent watchdog block diagram shows the functional blocks of the independent watchdog module.

When the independent watchdog is started by writing the value 0x0000 CCCC in the Key register (IWDG_KR), the counter starts counting down from the reset value of 0xFFFF. When it reaches the end of count value (0x000) a reset signal is generated (IWDG reset).

Whenever the key value 0x0000 AAAA is written in the IWDG_KR register, the IWDG_RLR value is reloaded in the counter and the watchdog reset is prevented.

20.3.1 Window option

The IWDG can also work as a window watchdog by setting the appropriate window in the IWDG_WINR register. If the reload operation is performed while the counter is greater than the value stored in the window register (IWDG_WINR), then a reset is provided.

The default value of the IWDG_WINR is 0x0000 0FFF, so if it is not updated, the window option is disabled.

As soon as the window value is changed, a reload operation is performed in order to reset the down-counter to the IWDG_RLR value and ease the cycle number calculation to generate the next reload.

Configuring the IWDG when the window option is enabled

1. Enable the IWDG by writing 0x0000 CCCC in the IWDG_KR register.
2. Enable register access by writing 0x0000 5555 in the IWDG_KR register.
3. Write the IWDG prescaler by programming IWDG_PR from 0 to 7.
4. Write the reload register(IWDG_RLR).
5. Wait for the registers to be updated (IWDG_SR = 0x00000000).
6. Write to the window register IWDG_WINR. This automatically refreshes the counter value IWDG_RLR.

Note: Writing the window value allows the counter value to be refreshed by the RLR when IWDG_SR to set to 0x0000 0000.

Configuring the IWDG when the window option is disabled.

When the window option it is not used, the IWDG can be configured as follows:

1. Enable register access by writing 0x0000 5555 in the IWDG_KR register.
2. Write the IWDG prescaler by programming IWDG_PR from 0 to 7.
3. Write the reload register (IWDG_RLR).
4. Wait for the registers to be updated (IWDG_SR = 0x00000000).
5. Refresh the counter value with IWDG_RLR (IWDG_KR = 0x0000AAAA).

6. Enable the IWDG by writing 0x0000 CCCC in the IWDG_KR.

20.3.2 Register access protection

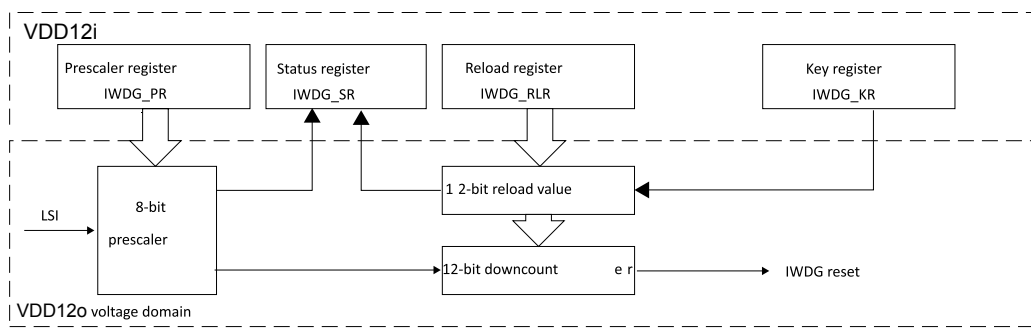
Write access to the IWDG_PR, IWDG_RLR and IWDG_WINR registers is protected. To modify them, you must first write the code 0x0000 5555 to the IWDG_KR register. A write access to this register with a different value breaks the sequence and register access is protected again. This implies that it is the case of the reload operation (writing 0x0000 AAAA).

A status register is available to indicate that an update of the prescaler or the down-counter reload value or the window value is on-going.

20.3.3 Debug mode

No specific debug mode implemented in the STM32WB05xZ. The timer goes on counting even when the CPU is halted by the debugger.

Figure 93. Independent watchdog block diagram



Note: The watchdog is implemented in the VDD12o power domain that is still functional in Deepstop mode.

20.4 IWDG registers

Refer to [Table 2. Acronyms](#) for a list of abbreviations used in register descriptions. The peripheral registers can be accessed by half-words (16-bit) or words (32-bit).

20.4.1 Key register (IWDG_KR)

Address offset: 0x00

Reset value: 0x0000 0000 (reset by standby mode)

| | | | | | | | | | | | | | | | |
|-----------|------|------|------|------|------|------|------|------|------|------|------|------|------|------|------|
| 31 | 30 | 29 | 28 | 27 | 26 | 25 | 24 | 23 | 22 | 21 | 20 | 19 | 18 | 17 | 16 |
| Res. | Res. | Res. | Res. | Res. | Res. | Res. | Res. | Res. | Res. | Res. | Res. | Res. | Res. | Res. | Res. |
| 15 | 14 | 13 | 12 | 11 | 10 | 9 | 8 | 7 | 6 | 5 | 4 | 3 | 2 | 1 | 0 |
| KEY[15:0] | | | | | | | | | | | | | | | |
| w | w | w | w | w | w | w | w | w | w | w | w | w | w | w | w |

| | |
|------------|--|
| Bits 31:16 | Reserved, must be kept at reset value. |
| Bits 15:0 | <p>KEY[15:0]: Key value (write only, read 0x0000).</p> <p>These bits must be written by software at regular intervals with the key value 0xAAAA, otherwise the watchdog generates a reset when the counter reaches 0.</p> <p>Writing the key value 0x5555 enables access to the IWDG_PR, IWDG_RLR and IWDG_WINR registers (see Section 20.3.2: Register access protection).</p> <p>Writing the key value CCCC starts the watchdog (except if the hardware watchdog option is selected).</p> |

20.4.2 Prescaler register (IWDG_PR)

Address offset: 0x04

Reset value: 0x0000 0000

| | | | | | | | | | | | | | | | |
|------|------|------|------|------|------|------|------|------|------|------|------|------|---------|------|------|
| 31 | 30 | 29 | 28 | 27 | 26 | 25 | 24 | 23 | 22 | 21 | 20 | 19 | 18 | 17 | 16 |
| Res. | Res. | Res. | Res. | Res. | Res. | Res. | Res. | Res. | Res. | Res. | Res. | Res. | Res. | Res. | Res. |
| 15 | 14 | 13 | 12 | 11 | 10 | 9 | 8 | 7 | 6 | 5 | 4 | 3 | 2 | 1 | 0 |
| Res. | Res. | Res. | Res. | Res. | Res. | Res. | Res. | Res. | Res. | Res. | Res. | Res. | PR[2:0] | | |
| | | | | | | | | | | | | | rw | rw | rw |

| | |
|-----------|--|
| Bits 31:3 | Reserved, must be kept at reset value. |
| Bits 2:0 | <p>PR[2:0]: Prescaler divider.</p> <p>These bits are write access protected, see Section 20.3.2: Register access protection. They are written by software to select the prescaler divider feeding the counter clock. PVU bit of IWDG_SR must be reset in order to be able to change the prescaler divider.</p> <p>000: divider /4 001: divider /8 010: divider /16 011: divider /32 100: divider /64 101: divider /128 110: divider /256 111: divider /256</p> <p>Note: Reading this register returns the prescaler value from the VDD12o voltage domain. This value may not be up to date/valid if a write operation to this register is on-going. For this reason the value read from this register is valid only when the PVU bit in the IWDG_SR register is reset.</p> |

20.4.3 Reload register (IWDG_RLR)

Address offset: 0x08

Reset value: 0x0000 0FFF (reset by standby mode)

| | | | | | | | | | | | | | | | |
|------|------|------|------|----------|------|------|------|------|------|------|------|------|------|------|------|
| 31 | 30 | 29 | 28 | 27 | 26 | 25 | 24 | 23 | 22 | 21 | 20 | 19 | 18 | 17 | 16 |
| Res. | Res. | Res. | Res. | Res. | Res. | Res. | Res. | Res. | Res. | Res. | Res. | Res. | Res. | Res. | Res. |
| 15 | 14 | 13 | 12 | 11 | 10 | 9 | 8 | 7 | 6 | 5 | 4 | 3 | 2 | 1 | 0 |
| Res. | Res. | Res. | Res. | RL[11:0] | | | | | | | | | | | |
| | | | | rw | rw | rw | rw | rw | rw | rw | rw | rw | rw | rw | rw |

| | |
|------------|--|
| Bits 31:12 | Reserved, must be kept at reset value. |
| Bits 11:0 | <p>RL[11:0]: Watchdog counter reload value.</p> <p>These bits are write access protected, see Section 20.3.2: Register access protection. They are written by software to define the value to be loaded in the watchdog counter each time the value 0xAAAA is written in the IWDG_KR register. The watchdog counter counts down from this value. The timeout period is a function of this value and the clock prescaler. Refer to the datasheet for the timeout information.</p> <p>The RVU bit in the IWDG_SR register must be reset in order to be able to change the reload value.</p> <p>Note: Reading this register returns the reload value from the VDD12o voltage domain. This value may not be up to date/valid if a write operation to this register is on-going on this register. For this reason the value read from this register is valid only when the RVU bit in the IWDG_SR register is reset.</p> |

20.4.4 Status register (IWDG_SR)

Address offset: 0x0C

Reset value: 0x0000 0000 (not reset by standby mode)

| | | | | | | | | | | | | | | | |
|------|------|------|------|------|------|------|------|------|------|------|------|------|------|------|------|
| 31 | 30 | 29 | 28 | 27 | 26 | 25 | 24 | 23 | 22 | 21 | 20 | 19 | 18 | 17 | 16 |
| Res. | Res. | Res. | Res. | Res. | Res. | Res. | Res. | Res. | Res. | Res. | Res. | Res. | Res. | Res. | Res. |
| 15 | 14 | 13 | 12 | 11 | 10 | 9 | 8 | 7 | 6 | 5 | 4 | 3 | 2 | 1 | 0 |
| Res. | Res. | Res. | Res. | Res. | Res. | Res. | Res. | Res. | Res. | Res. | Res. | Res. | WVU | RVU | PVU |
| | | | | | | | | | | | | | r | r | r |

| | |
|-----------|--|
| Bits 31:3 | Reserved, must be kept at reset value. |
| Bit 2 | <p>WVU: Watchdog counter window value update.</p> <p>This bit is set by hardware to indicate that an update of the window value is on-going. It is reset by hardware when the reload value update operation is completed in the VDD12o voltage domain (takes up to 5 RC 40 kHzcycles).</p> <p>Window value can be updated only when WVU bit is reset. This bit is generated only if generic "window" = 1.</p> |
| Bit 1 | <p>RVU: Watchdog counter reload value update.</p> <p>This bit is set by hardware to indicate that an update of the reload value is on-going. It is reset by hardware when the reload value update operation is completed in the VDD12o voltage domain (takes up to 5 RC 40 kHzcycles).</p> <p>Reload value can be updated only when RVU bit is reset.</p> |
| Bit 0 | <p>PVU: Watchdog prescaler value update.</p> <p>This bit is set by hardware to indicate that an update of the prescaler value is on-going. It is reset by hardware when the prescaler update operation is completed in the VDD12o voltage domain (takes up to 5 RC 40 kHz cycles).</p> <p>Prescaler value can be updated only when PVU bit is reset.</p> |

20.4.5 Window register (IWDG_WINR)

Address offset: 0x10

Reset value: 0x0000 0FFF (reset by standby mode)

| | | | | | | | | | | | | | | | |
|------|------|------|------|-----------|------|------|------|------|------|------|------|------|------|------|------|
| 31 | 30 | 29 | 28 | 27 | 26 | 25 | 24 | 23 | 22 | 21 | 20 | 19 | 18 | 17 | 16 |
| Res. | Res. | Res. | Res. | Res. | Res. | Res. | Res. | Res. | Res. | Res. | Res. | Res. | Res. | Res. | Res. |
| 15 | 14 | 13 | 12 | 11 | 10 | 9 | 8 | 7 | 6 | 5 | 4 | 3 | 2 | 1 | 0 |
| Res. | Res. | Res. | Res. | WIN[11:0] | | | | | | | | | | | |
| | | | | rw | rw | rw | rw | rw | rw | rw | rw | rw | rw | rw | rw |

| | |
|---------------|--|
| Bits 31:12 | Reserved, must be kept at reset value. |
| Bits11:0 | <p>WIN[11:0]: Watchdog counter window value.</p> <p>These bits are write access protected, see Section 20.3.2: Register access protection. These bits contain the high limit of the window value to be compared to the down-counter.</p> <p>To prevent a reset, the down-counter must be reloaded when its value is lower than the window register value and greater than 0x0.</p> <p>The WVU bit in the IWDG_SR register must be reset in order to be able to change the reload value.</p> <p>Note: Reading this register returns the reload value from the VDD12o voltage domain. This value may not be valid if a write operation to this register is on-going. For this reason the value read from this register is valid only when the WVU bit in the IWDG_SR register is reset.</p> |

Note: If several reload, prescaler, or window values are used by the application, it is mandatory to wait for the RVU bit to be reset before changing the reload value, to wait for the PVU bit to be reset before changing the prescaler value, and to wait for the WVU bit to be reset before changing the window value. However, after updating the prescaler and/or the reload/window value it is not necessary to wait for RVU or PVU or WVU to be reset before continuing code execution except in case of low-power mode entry.

RM0529 - Rev 2

page 374/726



Refer to [Section 2.2.2: Memory map and register boundary addresses](#) for the register boundary addresses.

21 Inter-integrated circuit (I²C) interface

21.1 Introduction

The I²C (inter-integrated circuit) bus interface handles communications between the microcontroller and the serial I²C bus. It provides multimaster capability, and controls all I²C bus-specific sequencing, protocol, arbitration and timing. It supports standard-mode (Sm), fast-mode (Fm) and fast-mode plus (Fm+).

It is also SMBus (system management bus) and PMBus (power management bus) compatible.

DMA can be used to reduce CPU overload.

21.2 I2C main features

- I²C bus specification rev 03 compatibility:
 - Slave and master modes
 - Multi master capability
 - Standard-mode (up to 100 kHz)
 - Fast-mode (up to 400 kHz)
 - Fast-mode plus (up to 1 MHz)
 - 7-bit and 10-bit addressing mode
 - Multiple 7-bit slave addresses (2 addresses, 1 with configurable mask)
 - All 7-bit addresses acknowledge mode
 - General call
 - Programmable setup and hold times
 - Easy to use event management
 - Optional clock stretching
 - Software reset
- 1-byte buffer with DMA capability
- Programmable analog and digital noise filters.

The following additional features are also available depending on the product implementation (see [Section 21.3: I²C implementation](#)):

- SMBus specification rev 2.0 compatibility:
 - Hardware PEC (packet error checking) generation and verification with ACK control
 - Command and data acknowledge control
 - Address resolution protocol (ARP) support
 - Host and device support
 - SMBus alert
 - Timeouts and idle condition detection
- PMBus rev 1.1 standard compatibility
- Independent clock: a choice of independent clock sources allowing the I²C communication speed to be independent from the PCLK reprogramming.

Note: *For the fast-mode plus mode, it is strongly recommended to use I²C pins mentioned as open-drain capable (embedding a 10ns/50ns filter).*

21.3 I²C implementation

This manual describes the full set of features implemented in I2C1.

Table 85. STM32WB05xZ I²C implementation

| I ² C features ⁽¹⁾ | I2C1 |
|--|------|
| 7-bit addressing mode | X |
| 10-bit addressing mode | X |
| Standard-mode (up to 100 kbit/s) | X |
| Fast-mode (up to 400 kbit/s) | X |
| Fast-mode plus with 20 mA output drive I/Os (up to 1 Mbit/s) | X |
| Independent clock | X |
| SMBus | X |

1. X=supported

21.4 I²C functional description

In addition to receiving and transmitting data, this interface converts it from serial to parallel format and vice versa. The interrupts are enabled or disabled by software. The interface is connected to the I²C bus by a data pin (SDA) and by a clock pin (SCL). It can be connected with a standard (up to 100 kHz), fast-mode (up to 400 kHz) or fast-mode plus (up to 1 MHz) I²C bus.

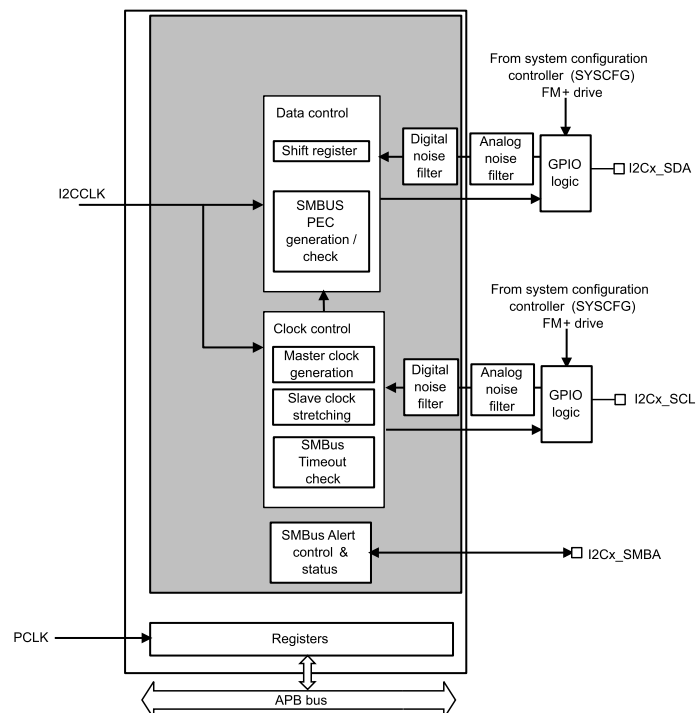
This interface can also be connected to an SMBus with the data pin (SDA) and clock pin (SCL).

If SMBus feature is supported: the additional optional SMBus alert pin (SMBA) is also available.

21.4.1 I²C block diagram

The block diagram of the I²C interface is shown below.

Figure 94. I²C block diagram



The I²C is clocked by an independent clock source which allows the I²C to operate independently from the PCLK frequency.

This independent clock source is a fixed 16-MHz clock. Refer to [Section 6: Reset and clock controller \(RCC\)](#) for more details.

I²C I/Os supports 20 mA output current drive for fast-mode plus operation. This is enabled by setting the driving capability control bits for SCL and SDA in [Section 8.2.3: I2C Fast-Mode Plus pin capability control register \(I2C_FMP_CTRL\)](#).

21.4.2 I²C clock requirements

The I²C kernel is clocked by I2CCLK.

The I2CCLK period t_{I2CCLK} must respect the following conditions:

$$t_{I2CCLK} < (t_{LOW} - t_{filters}) / 4 \text{ and } t_{I2CCLK} < t_{HIGH}$$

with:

t_{LOW} : SCL low time and t_{HIGH} : SCL high time

$t_{filters}$: when enabled, sum of the delays brought by the analog filter and by the digital filter. Analog filter delay is maximum 260 ns. Digital filter delay is $DNF \times t_{I2CCLK}$.

The PCLK clock period t_{PCLK} must respect the following condition:

$$t_{PCLK} < 4/3 t_{SCL}$$

with t_{SCL} : SCL period.

21.4.3 Mode selection

The interface can operate in one of the four following modes:

- Slave transmitter
- Slave receiver
- Master transmitter
- Master receiver

By default, it operates in slave mode. The interface automatically switches from slave to master when it generates a START condition, and from master to slave if an arbitration loss or a STOP generation occurs, allowing multimaster capability.

Communication flow

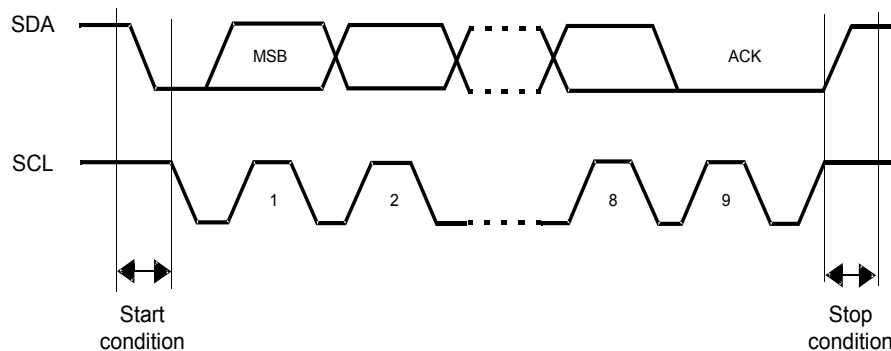
In master mode, the I²C interface initiates a data transfer and generates the clock signal. A serial data transfer always begins with a START condition and ends with a STOP condition. Both START and STOP conditions are generated in master mode by software.

In slave mode, the interface is capable of recognizing its own addresses (7 or 10-bit), and the general call address. The general call address detection can be enabled or disabled by software. The reserved SMBus addresses can also be enabled by software.

Data and addresses are transferred as 8-bit bytes, MSB first. The first byte(s) following the START condition contain the address (one in 7-bit mode, two in 10-bit mode). The address is always transmitted in master mode.

A 9th clock pulse follows the 8 clock cycles of a byte transfer, during which the receiver must send an acknowledge bit to the transmitter. Refer to the following figure.

Figure 95. I²C bus protocol



Acknowledge can be enabled or disabled by software. The I²C interface addresses can be selected by software.

21.4.4 I²C initialization

Enabling and disabling the peripheral

The I²C peripheral clock must be configured and enabled in the clock controller (refer to [Section 6: Reset and clock controller \(RCC\)](#)).

Then the I²C can be enabled by setting the PE bit in the I2C_CR1 register. When the I²C is disabled (PE=0), the I²C performs a software reset. Refer to [Section 21.4.5: Software reset](#) for more details.

Noise filters

Before you enable the I²C peripheral by setting the PE bit in the I2C_CR1 register, you must configure the noise filters, if needed. By default, an analog noise filter is present on the SDA and SCL inputs. This analog filter is compliant with the I²C specification which requires the suppression of spikes with a pulse width up to 50 ns in fast-mode and fast-mode plus. You can disable this analog filter by setting the ANFOFF bit, and/or select a digital filter by configuring the DNF[3:0] bit in the I2C_CR1 register.

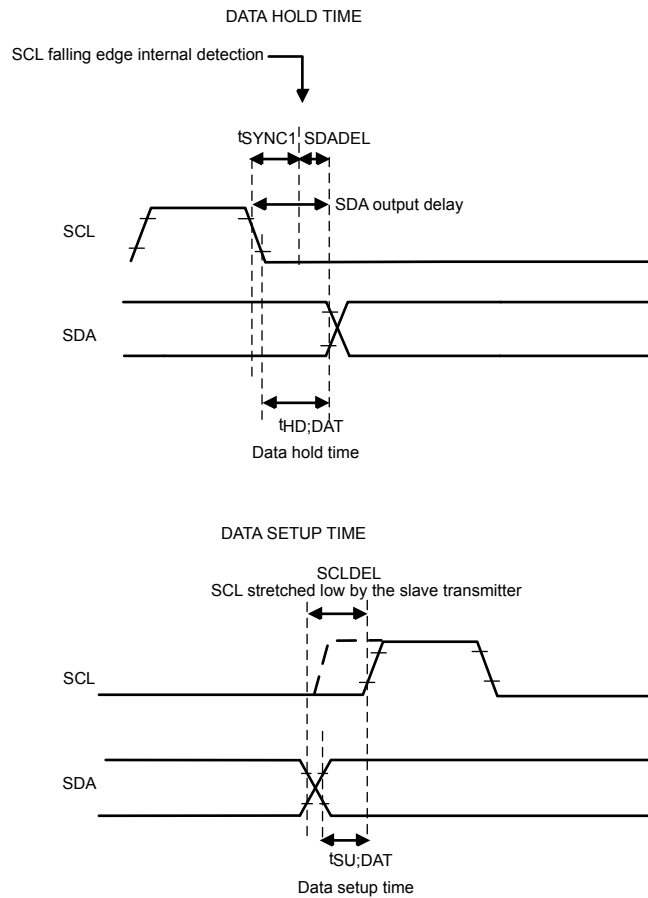
When the digital filter is enabled, the level of the SCL or the SDA line is internally changed only if it remains stable for more than DNF x I2CCLK periods. This allows spikes to be suppressed with a programmable length of 1 to 15 I2CCLK periods.

Caution: Changing the filter configuration is not allowed when the I²C is enabled.

I²C timings

The timings must be configured in order to guarantee a correct data hold and set-up time, used in master and slave modes. This is done by programming the PRESC[3:0], SCLDEL[3:0] and SDADEL[3:0] bits in the I2C_TIMINGR register.

Figure 96. Setup and hold timings



- When the SCL falling edge is internally detected, a delay is inserted before sending SDA output. This delay is $t_{SDADEL} = SDADEL \times t_{PRESC} + t_{I2CCLK}$ where $t_{PRESC} = (PRESC + 1) \times t_{I2CCLK}$. t_{SDADEL} and impacts the hold time $t_{HD;DAT}$.
The total SDA output delay is:
 $t_{SYNC1} + \{[SDADEL \times (PRESC + 1) + 1] \times t_{I2CCLK}\}$
 t_{SYNC1} duration depends on these parameters:
 - SCL falling slope
 - When enabled, input delay t_{SYNC1} brought by the analog filter: $t_{AF(min)} < t_{AF} < t_{AF(max)}$ ns.
 - When enabled, input delay brought by the digital filter: $t_{DNF} = DNF \times t_{I2CCLK}$
 - Delay due to SCL synchronization to I2CCLK clock (2 to 3 I2CCLK periods)

In order to bridge the undefined region of the SCL falling edge, you must program SDADEL in such a way that:

$$\{t_{r(max)} + t_{HD;DAT(min)} - t_{AF(min)} - [(DNF + 3) \times t_{I2CCLK}]\} / \{(PRESC + 1) \times t_{I2CCLK}\} \leq SDADEL$$

$$SDADEL \leq \{t_{HD;DAT(max)} - t_{AF(max)} - [(DNF + 4) \times t_{I2CCLK}]\} / \{(PRESC + 1) \times t_{I2CCLK}\}$$

Note: $t_{AF(min)}$ / $t_{AF(max)}$ are part of the equation only when the analog filter is enabled. Refer to device datasheet for t_{AF} values.

The maximum $t_{HD;DAT}$ could be 3.45 μ s, 0.9 μ s and 0.45 μ s for standard-mode, fast-mode and fast-mode plus, but must be less than the maximum of $t_{VD;DAT}$ by a transition time. This maximum must only be met if the device does not stretch the LOW period (t_{LOW}) of the SCL signal. If the clock stretches the SCL, the data must be validated by the set-up time before it releases the clock.

The SDA rising edge is usually the worst case, so in this case the previous equation becomes:

$$SDADEL \leq \{t_{VD;DAT(max)} - t_{r(max)} - 260 \text{ ns} - [(DNF + 4) \times t_{I2CCLK}]\} / \{(PRESC + 1) \times t_{I2CCLK}\}.$$

Note: This condition can be violated when $NOSTRETCH=0$, because the device stretches SCL low to guarantee the set-up time, according to the $SCLDEL$ value.

Refer to [Table 86. I²C-SMBUS specification data setup and hold times](#) for t_f , t_r , $t_{HD;DAT}$ and $t_{VD;DAT}$ standard values.

- After sending SDA output, SCL line is kept at low level during the set-up time. This set-up time is $t_{SCLDEL} = (SCLDEL+1) \times t_{PRESC}$ where $t_{PRESC} = (PRESC+1) \times t_{I2CCLK}$. t_{SCLDEL} impacts the set-up time $t_{SU;DAT}$.

In order to bridge the undefined region of the SDA transition (rising edge usually worst case), you must program $SCLDEL$ in such a way that:

$$\{[t_r(\max) + t_{SU;DAT}(\min)] / [(PRESC+1) \times t_{I2CCLK}] - 1 \leq SCLDEL$$

Refer to [Table 86. I²C-SMBUS specification data setup and hold times](#) for t_r and $t_{SU;DAT}$ standard values.

The SDA and SCL transition time values to be used are the ones in the application. Using the maximum values from the standard increases the constraints for the $SDADEL$ and $SCLDEL$ calculation, but ensures the feature whatever the application.

Table 86. I²C-SMBUS specification data setup and hold times

| Symbol | Parameter | Standard-mode (Sm) | | Fast-mode (Fm) | | Fast-mode Plus (Fm+) | | SMBUS | | Unit |
|--------------|---------------------------------------|--------------------|------|----------------|------|----------------------|------|-------|------|---------|
| | | Min. | Max. | Min. | Max. | Min. | Max. | Min. | Max. | |
| $t_{HD;DAT}$ | Data hold time | 0 | - | 0 | - | 0 | - | 0.3 | - | μs |
| $t_{VD;DAT}$ | Data valid time | - | 3.45 | - | 0.9 | - | 0.45 | - | - | |
| $t_{SU;DAT}$ | Data set-up time | 250 | - | 100 | - | 50 | - | 250 | - | ns |
| t_r | Rise time of both SDA and SCL signals | - | 1000 | - | 300 | - | 120 | - | 1000 | |
| t_f | Fall time of both SDA and SCL signals | - | 300 | - | 300 | - | 120 | - | 300 | |

Additionally, in master mode, the SCL clock high and low levels must be configured by programming the $PRESC[3:0]$, $SCLH[7:0]$ and $SCLL[7:0]$ bits in the $I2C_TIMINGR$ register.

- When the SCL falling edge is internally detected, a delay is inserted before releasing the SCL output. This delay is $t_{SCLL} = (SCLL+1) \times t_{PRESC}$ where $t_{PRESC} = (PRESC+1) \times t_{I2CCLK}$.

t_{SCLL} impacts the SCL low time t_{LOW} .

- When the SCL rising edge is internally detected, a delay is inserted before forcing the SCL output to low level. This delay is $t_{SCLH} = (SCLH+1) \times t_{PRESC}$ where $t_{PRESC} = (PRESC+1) \times t_{I2CCLK}$. t_{SCLH} and impacts the SCL high time t_{HIGH} .

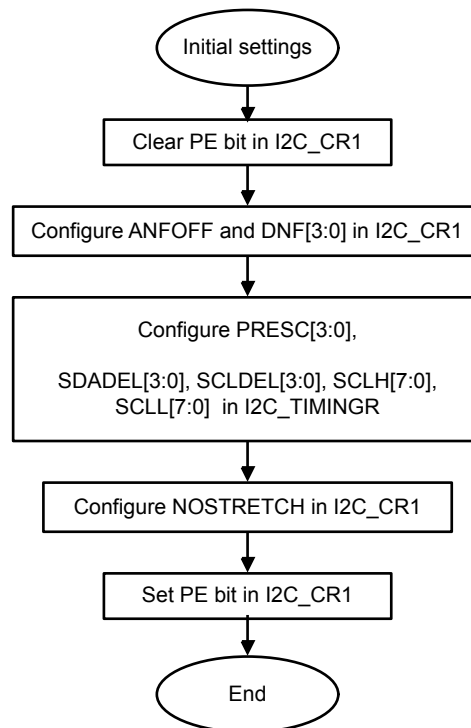
Refer to [Section 21.4.8: I2C master mode](#) for more details.

Caution: Changing the timing configuration is not allowed when the I²C is enabled.

The I²C slave $NOSTRETCH$ mode must also be configured before enabling the peripheral.

Caution: Changing the $NOSTRETCH$ configuration is not allowed when the I²C is enabled.

Figure 97. I²C initialization flowchart



21.4.5 Software reset

A software reset can be performed by clearing the PE bit in the I2C_CR1 register. In that case I²C lines SCL and SDA are released. Internal state machines are reset and communication control bits, as well as status bits come back to their reset value. The configuration registers are not impacted.

Here is the list of impacted register bits:

1. I2C_CR2 register: START, STOP, NACK
2. I2C_ISR register: BUSY, TXE, TXIS, RXNE, ADDR, NACKF, TCR, TC, STOPF, BERR, ARLO, OVR

and in addition when the SMBus feature is supported:

1. I2C_CR2 register: PECBYTE
2. I2C_ISR register: PECERR, TIMEOUT, ALERT

PE must be kept low during at least 3 APB clock cycles in order to perform the software reset. This is ensured by writing the following software sequence: - Write PE=0 - Check PE=0 - Write PE=1.

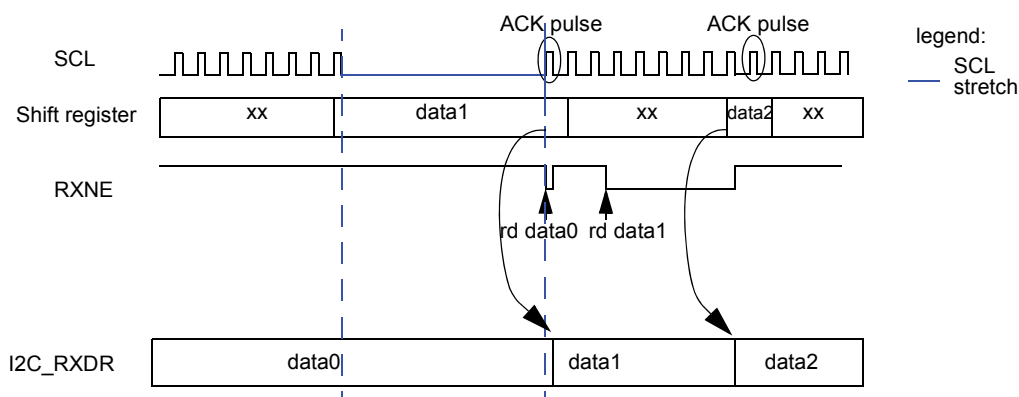
21.4.6 Data transfer

The data transfer is managed through transmit and receive data registers and a shift register.

Reception

The SDA input fills the shift register. After the 8th SCL pulse (when the complete data byte is received), the shift register is copied into the I2C_RXDR register if it is empty (RXNE=0). If RXNE=1, meaning that the previous received data byte has not yet been read, the SCL line is stretched low until I2C_RXDR is read. The stretch is inserted between the 8th and 9th SCL pulse (before the acknowledge pulse).

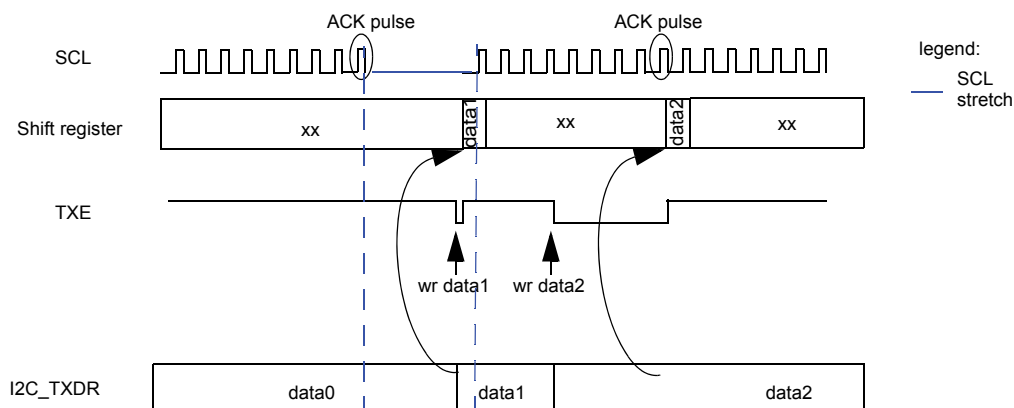
Figure 98. Data reception



Transmission

If the I2C_TXDR register is not empty (TXE=0), its content is copied into the shift register after the 9th SCL pulse (the acknowledge pulse). Then the shift register content is shifted out on the SDA line. If TXE=1, meaning that no data is written yet in I2C_TXDR, SCL line is stretched low until I2C_TXDR is written. The stretch is done after the 9th SCL pulse.

Figure 99. Data transmission



Hardware transfer management

The I²C has a byte counter embedded in hardware in order to manage byte transfer and to close the communication in various modes such as:

- NACK, STOP and ReSTART generation in master mode
- ACK control in slave receiver mode
- PEC generation/checking when SMBus feature is supported

The byte counter is always used in master mode. By default it is disabled in slave mode, but it can be enabled by software by setting the SBC (slave byte control) bit in the I2C_CR2 register.

The number of bytes to be transferred is programmed in the NBYTES[7:0] bit field in the I2C_CR2 register. If the number of bytes to be transferred (NBYTES) is greater than 255, or if a receiver wants to control the acknowledge value of a received data byte, the reload mode must be selected by setting the RELOAD bit in the I2C_CR2 register. In this mode, TCR flag is set when the number of bytes programmed in NBYTES has been transferred, and an interrupt is generated if TCIE is set. SCL is stretched as long as TCR flag is set. TCR is cleared by software when NBYTES is written to a non-zero value.

When the NBYTES counter is reloaded with the last number of bytes, RELOAD bit must be cleared.

When RELOAD=0 in master mode, the counter can be used in 2 modes:

- **Automatic end mode** (AUTOEND = '1' in the I2C_CR2 register). In this mode, the master automatically sends a STOP condition once the number of bytes programmed in the NBYTES[7:0] bit field has been transferred.
- **Software end mode** (AUTOEND = '0' in the I2C_CR2 register). In this mode, software action is expected once the number of bytes programmed in the NBYTES[7:0] bit field has been transferred; the TC flag is set and an interrupt is generated if the TCIE bit is set. The SCL signal is stretched as long as the TC flag is set. The TC flag is cleared by software when the START or STOP bit is set in the I2C_CR2 register. This mode must be used when the master wants to send a RESTART condition.

Caution: The AUTOEND bit has no effect when the RELOAD bit is set.

Table 87. I²C configurable table

| Function | SBC bit | RELOAD bit | AUTOEND bit |
|---|---------|------------|-------------|
| Master Tx/Rx NBYTES + STOP | x | 0 | 1 |
| Master Tx/Rx + NBYTES + RESTART | x | 0 | 0 |
| Slave Tx/Rx all received bytes ACKed | 0 | x | x |
| Slave Rx with ACK control | 1 | 1 | x |

21.4.7

I²C slave mode

I²C slave initialization

In order to work in slave mode, you must enable at least one slave address. Two registers, I2C_OAR1 and I2C_OAR2, are available in order to program the slave own addresses OA1 and OA2.

- OA1 can be configured either in 7-bit mode (by default) or in 10-bit addressing mode by setting the OA1MODE bit in the I2C_OAR1 register. OA1 is enabled by setting the OA1EN bit in the I2C_OAR1 register.
- If additional slave addresses are required, you can configure the 2nd slave address OA2. Up to 7 OA2 LSB can be masked by configuring the OA2MSK[2:0] bits in the I2C_OAR2 register. Therefore for OA2MSK configured from 1 to 6, only OA2[7:2], OA2[7:3], OA2[7:4], OA2[7:5], OA2[7:6] or OA2[7] are compared with the received address. As soon as OA2MSK is not equal to 0, the address comparator for OA2 excludes the I²C reserved addresses (0000 XXX and 1111 XXX), which are not acknowledged. If OA2MSK=7, all received 7-bit addresses are acknowledged (except reserved addresses). OA2 is always a 7-bit address. These reserved addresses can be acknowledged if they are enabled by the specific enable bit, if they are programmed in the I2C_OAR1 or I2C_OAR2 register with OA2MSK=0. OA2 is enabled by setting the OA2EN bit in the I2C_OAR2 register.
- The general call address is enabled by setting the GCEN bit in the I2C_CR1 register.

When the I²C is selected by one of its enabled addresses, the ADDR interrupt status flag is set, and an interrupt is generated if the ADDRIE bit is set.

By default, the slave uses its clock stretching capability, which means that it stretches the SCL signal at low level when needed, in order to perform software actions. If the master does not support clock stretching, the I²C must be configured with NOSTRETCH=1 in the I2C_CR1 register.

After receiving an ADDR interrupt, if several addresses are enabled you must read the ADDCODE[6:0] bits in the I2C_ISR register in order to check which address matched. DIR flag must also be checked in order to know the transfer direction.

Slave clock stretching (NOSTRETCH = 0)

In default mode, the I²C slave stretches the SCL clock in the following situations:

- When the ADDR flag is set: the received address matches with one of the enabled slave addresses. This stretch is released when the ADDR flag is cleared by software setting the ADDRCF bit.
- In transmission, if the previous data transmission is completed and no new data is written in I2C_TXDR register, or if the first data byte is not written when the ADDR flag is cleared (TXE=1). This stretch is released when the data is written to the I2C_TXDR register.

- In reception when the I2C_RXDR register is not read yet and a new data reception is completed. This stretch is released when I2C_RXDR is read.
- When TCR = 1 in Slave Byte Control mode, reload mode (SBC=1 and RELOAD=1), meaning that the last data byte has been transferred. This stretch is released when then TCR is cleared by writing a non-zero value in the NBYTES[7:0] field.
- After SCL falling edge detection, the I²C stretches SCL low during $[(SDADEL+SCLDEL+1) \times (PRESC+1) + 1] \times tI2CCLK$.

Slave without clock stretching (NOSTRETCH = 1)

When NOSTRETCH = 1 in the I2C_CR1 register, the I²C slave does not stretch the SCL signal.

- The SCL clock is not stretched while the ADDR flag is set.
- In transmission, the data must be written in the I2C_TXDR register before the first SCL pulse corresponding to its transfer occurs. If not, an underrun occurs, the OVR flag is set in the I2C_ISR register and an interrupt is generated if the ERRIE bit is set in the I2C_CR1 register. The OVR flag is also set when the first data transmission starts and the STOPF bit is still set (has not been cleared). Therefore, if you clear the STOPF flag of the previous transfer only after writing the first data to be transmitted in the next transfer, you ensure that the OVR status is provided, even for the first data to be transmitted.
- In reception, the data must be read from the I2C_RXDR register before the 9th SCL pulse (ACK pulse) of the next data byte occurs. If not an overrun occurs, the OVR flag is set in the I2C_ISR register and an interrupt is generated if the ERRIE bit is set in the I2C_CR1 register.

Slave byte control mode

In order to allow byte ACK control in slave reception mode, slave byte control mode must be enabled by setting the SBC bit in the I2C_CR1 register. This is required to be compliant with SMBus standards.

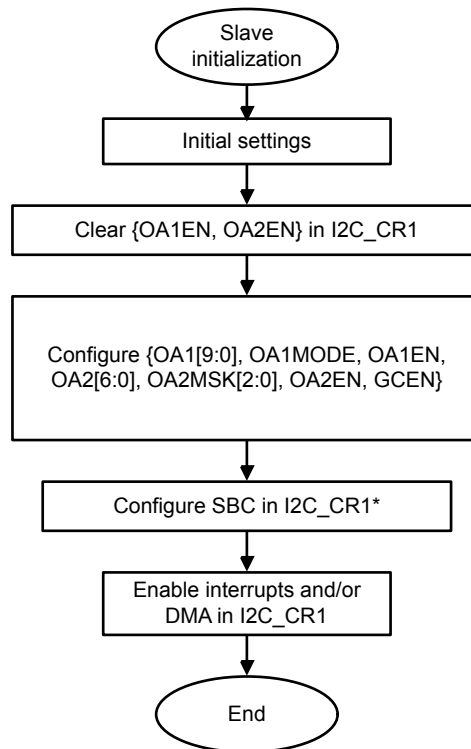
Reload mode must be selected in order to allow byte ACK control in slave reception mode (RELOAD=1). To get control of each byte, NBYTES must be initialized to 0x1 in the ADDR interrupt subroutine, and reloaded to 0x1 after each received byte. When the byte is received, the TCR bit is set, stretching the SCL signal low between the 8th and 9th SCL pulses. You can read the data from the I2C_RXDR register, and then decide to acknowledge it or not by configuring the ACK bit in the I2C_CR2 register. The SCL stretch is released by programming NBYTES to a non-zero value: the acknowledge or not- acknowledge is sent and the next byte can be received.

NBYTES can be loaded with a value greater than 0x1, and in this case, the reception flow is continuous during NBYTES data reception.

Note: The SBC bit must be configured when the I²C is disabled, or when the slave is not addressed, or when ADDR=1. The RELOAD bit value can be changed when ADDR=1, or when TCR=1.

Caution: Slave byte control mode is not compatible with NOSTRETCH mode. Setting SBC when NOSTRETCH=1 is not allowed.

Figure 100. Slave initialization flowchart



*SBC must be set to support SMBus features

Slave transmitter

A transmit interrupt status (TXIS) is generated when the I2C_TXDR register becomes empty. An interrupt is generated if the TXIE bit is set in the I2C_CR1 register.

The TXIS bit is cleared when the I2C_TXDR register is written with the next data byte to be transmitted.

When a NACK is received, the NACKF bit is set in the I2C_ISR register and an interrupt is generated if the NACKIE bit is set in the I2C_CR1 register. The slave automatically releases the SCL and SDA lines in order to let the master perform a STOP or a RESTART condition. The TXIS bit is not set when a NACK is received.

When a STOP is received and the STOPIE bit is set in the I2C_CR1 register, the STOPF flag is set in the I2C_ISR register and an interrupt is generated. In most applications, the SBC bit is usually programmed to '0'. In this case, if TXE = 0 when the slave address is received (ADDR=1), you can choose either to send the content of the I2C_TXDR register as the first data byte, or to flush the I2C_TXDR register by setting the TXE bit in order to program a new data byte.

In slave byte control mode (SBC=1), the number of bytes to be transmitted must be programmed in NBYTES in the address match interrupt subroutine (ADDR=1). In this case, the number of TXIS events during the transfer corresponds to the value programmed in NBYTES.

Caution: When NOSTRETCH=1, the SCL clock is not stretched while the ADDR flag is set, so you cannot flush the I2C_TXDR register content in the ADDR subroutine, in order to program the first data byte. The first data byte to be sent must be previously programmed in the I2C_TXDR register:

- This data can be the data written in the last TXIS event of the previous transmission message
- If this data byte is not the one to be sent, the I2C_TXDR register can be flushed by setting the TXE bit in order to program a new data byte. The STOPF bit must be cleared only after these actions, in order to guarantee that they are executed before the first data transmission starts, following the address acknowledge.
If STOPF is still set when the first data transmission starts, an underrun error is generated (the OVR flag is set).
If you need a TXIS event, (Transmit Interrupt or Transmit DMA request), you must set the TXIS bit in addition to the TXE bit, in order to generate a TXIS event.

Figure 101. Transfer sequence flowchart for I2C slave transmitter, NOSTRETCH=0

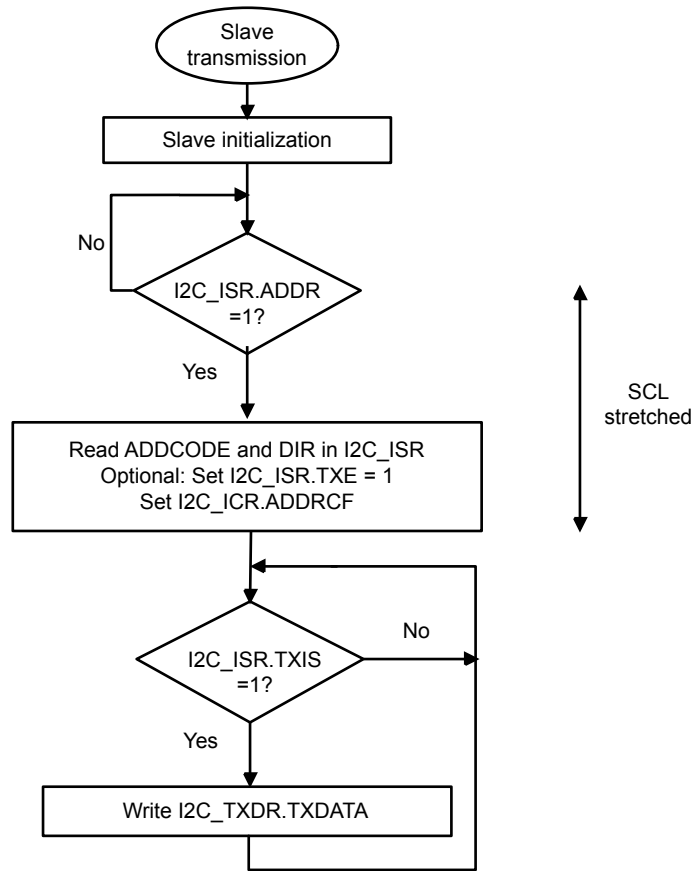


Figure 102. Transfer sequence flowchart for I2C slave transmitter, NOSTRETCH=1

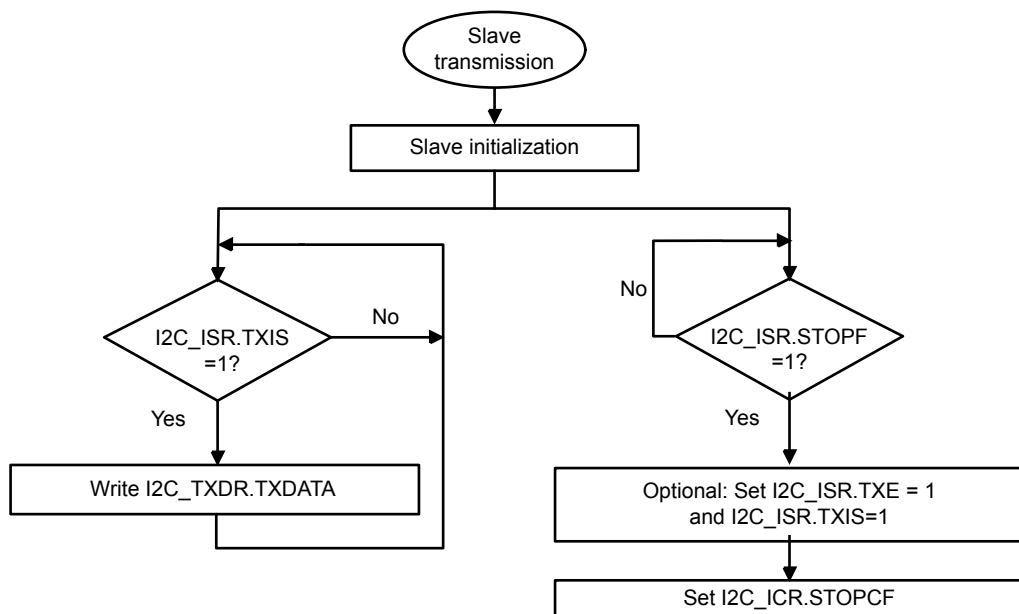
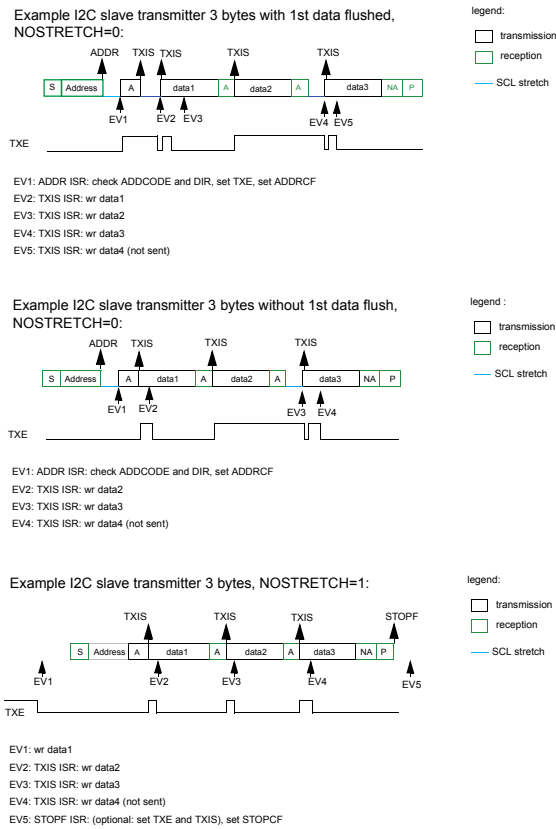


Figure 103. Transfer bus diagram for I2C slave transmitter



Slave receiver

RXNE is set in I2C_ISR when the I2C_RXDR is full, and generates an interrupt if RXIE is set in I2C_CR1. RXNE is cleared when I2C_RXDR is read.

When a STOP is received and STOPIE is set in I2C_CR1, STOPF is set in I2C_ISR and an interrupt is generated.

Figure 104. Transfer sequence flowchart for slave receiver with NOSTRETCH=0

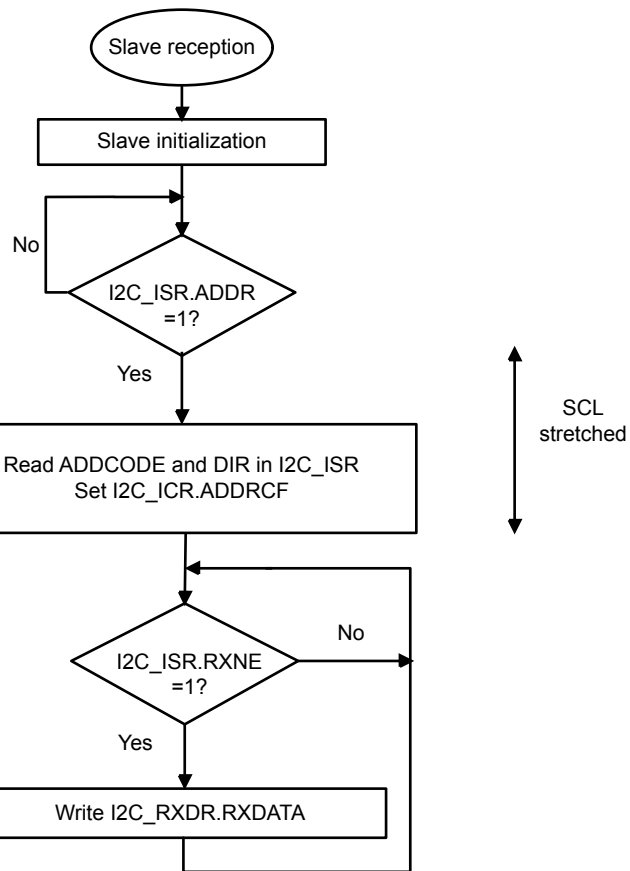


Figure 105. Transfer sequence flowchart for slave receiver with NOSTRETCH=1

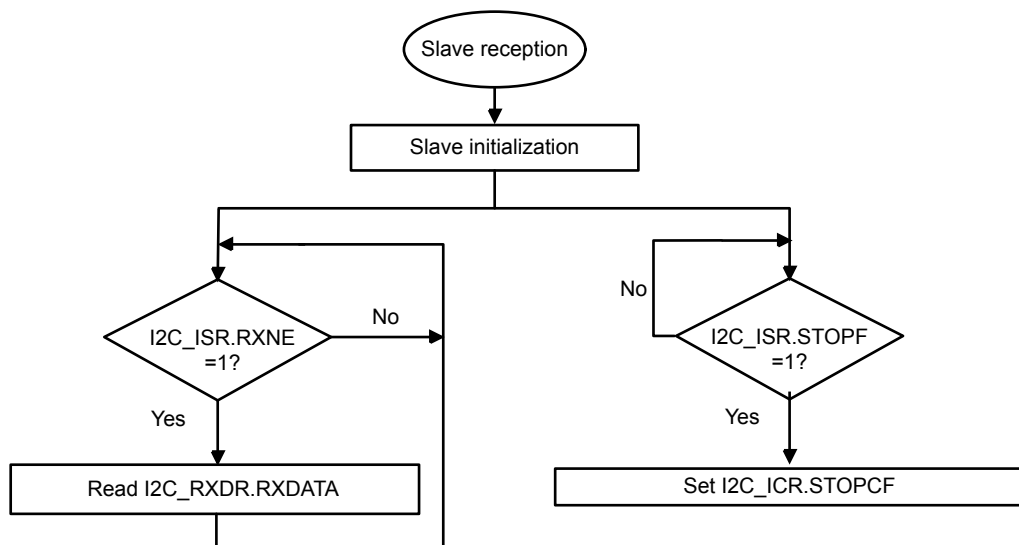
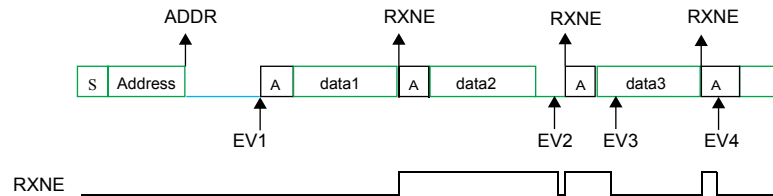


Figure 106. Transfer bus diagrams for I2C slave receiver

Example I2C slave receiver 3 bytes, NOSTRETCH=0:

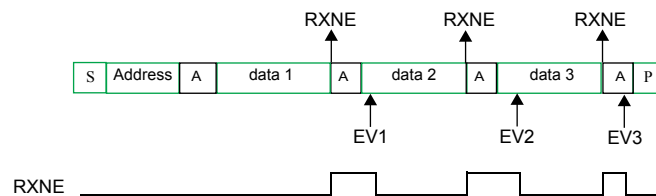


legend:

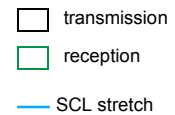


- EV1: ADDR ISR: check ADDCODE and DIR, set ADDRCONF
- EV2: RXNE ISR: rd data1
- EV3: RXNE ISR: rd data2
- EV4: RXNE ISR: rd data3

Example I2C slave receiver 3 bytes, NOSTRETCH=1:



legend:



- EV1: RXNE ISR: rd data1
- EV2: RXNE ISR: rd data2
- EV3: RXNE ISR: rd data3
- EV4: STOPF ISR: set STOPCF

21.4.8 I2C master mode

I2C master initialization

Before enabling the peripheral, the I2C master clock must be configured by setting the SCLH and SCLL bits in the I2C_TIMINGR register.

A clock synchronization mechanism is implemented in order to support multi-master environment and slave clock stretching.

In order to allow clock synchronization:

- The low level of the clock is counted using the SCLL counter, starting from the SCL low level internal detection.
- The high level of the clock is counted using the SCLH counter, starting from the SCL high level internal detection.

The I2C detects its own SCL low level after a t_{SYNC1} delay depending on the SCL falling edge, SCL input noise filters (analog + digital) and SCL synchronization to the I2CxCLK clock. The I2C releases SCL to high level once the SCLL counter reaches the value programmed in the SCLL[7:0] bits in the I2C_TIMINGR register.

The I2C detects its own SCL high level after a t_{SYNC2} delay depending on the SCL rising edge, SCL input noise filters (analog + digital) and SCL synchronization to I2CxCLK clock. The I2C ties SCL to low level once the SCLH counter reaches the value programmed in the SCLH[7:0] bits in the I2C_TIMINGR register.

Consequently the master clock period is:

$$t_{SCL} = t_{SYNC1} + t_{SYNC2} + \{[(SCLH+1) + (SCLL+1)] \times (PRESC+1) \times t_{I2CCLK}\}$$

The duration of t_{SYNC1} depends on these parameters:

- SCL falling slope
- When enabled, input delay induced by the analog filter

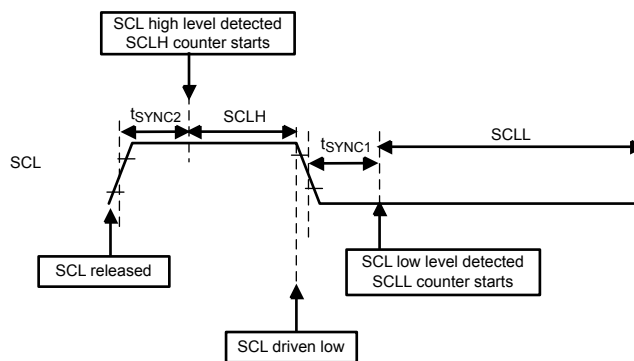
- When enabled, input delay induced by the digital filter: $DNF \times t_{I2CCLK}$
- Delay due to SCL synchronization with I2CCLK clock (2 to 3 I2CCLK periods).

The duration of t_{SYNC2} depends on these parameters:

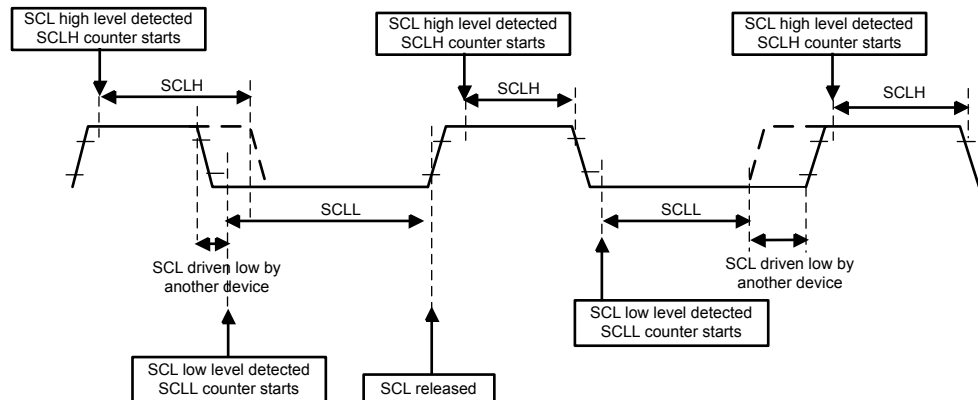
- SCL rising slope
- When enabled, input delay induced by the analog filter
- When enabled, input delay induced by the digital filter: $DNF \times t_{I2CCLK}$
- Delay due to SCL synchronization with I2CCLK clock (2 to 3 I2CCLK periods).

Figure 107. Master clock generation

SCL master clock generation



SCL master clock synchronization



Caution: In order to be I²C or SMBus compliant, the master clock must respect the timings given below:

Table 88. I²C-SMBUS specification clock timings

| Symbol | Parameter | Standard- mode (Sm) | | Fast-mode (Fm) | | Fast-mode Plus (Fm+) | | SMBUS | | Unit |
|--------------|--|---------------------|------|----------------|------|----------------------|------|-------|------|---------|
| | | Min. | Max. | Min. | Max. | Min. | Max. | Min. | Max. | |
| f_{SCL} | SCL clock frequency | | 100 | | 400 | | 1000 | | 100 | kHz |
| $t_{HD:STA}$ | Hold time (repeated) START condition | 4.0 | - | 0.6 | | 0.26 | - | 4.0 | - | μ s |
| $t_{SU:STA}$ | Set-up time for a repeated START condition | 4.7 | - | 0.6 | | 0.26 | - | 4.7 | - | μ s |
| $t_{SU:STO}$ | Set-up time for STOP condition | 4.0 | - | 0.6 | | 0.26 | - | 4.0 | - | μ s |
| t_{BUF} | Bus free time between a STOP and START condition | 4.7 | - | 1.3 | | 0.5 | - | 4.7 | - | μ s |
| t_{LOW} | Low period of the SCL clock | 4.7 | - | 1.3 | | 0.5 | - | 4.7 | - | μ s |
| t_{HIGH} | Period of the SCL clock | 4.0 | - | 0.6 | | 0.26 | - | 4.0 | 50 | μ s |
| t_r | Rise time of both SDA and SCL signals | - | 1000 | - | 300 | | 120 | - | 1000 | ns |
| t_f | Fall time of both SDA and SCL signals | - | 300 | - | 300 | | 120 | - | 300 | ns |

Note: *SCLL is also used to generate the t_{BUF} and $t_{SU:STA}$ timings.*

SCLH is also used to generate the $t_{HD:STA}$ and $t_{SU:STO}$ timings.

Refer to Section 21.4.9: I2C_TIMINGR register configuration examples for examples of I2C_TIMINGR settings vs. I2CCLK frequency.

Master communication initialization (address phase)

In order to initiate the communication, you must program the following parameters for the addressed slave in the I2C_CR2 register:

- Addressing mode (7-bit or 10-bit): ADD10
- Slave address to be sent: SADD[9:0]
- Transfer direction: RD_WRN
- In case of 10-bit address read: HEAD10R bit. HEAD10R must be configured to indicate if the complete address sequence must be sent, or only the header in case of a direction change.
- The number of bytes to be transferred: NBYTES[7:0]. If the number of bytes is equal to or greater than 255 bytes, NBYTES[7:0] must initially be filled with 0xFF.

You must then set the START bit in the I2C_CR2 register. Changing all the above bits is not allowed when START bit is set.

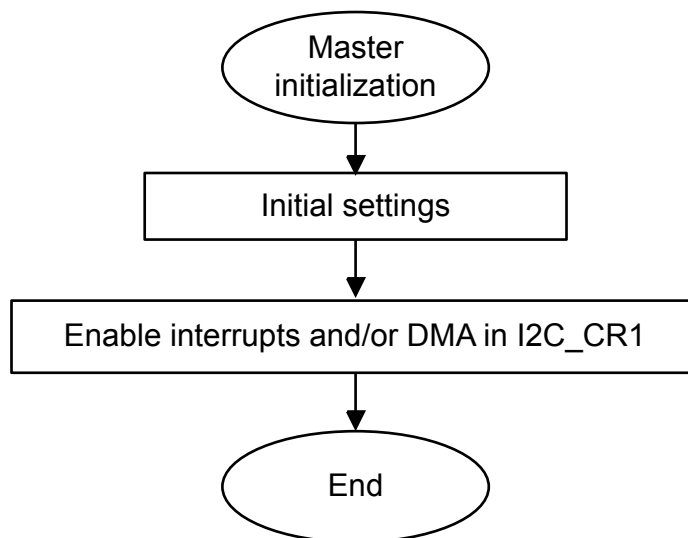
Then the master automatically sends the START condition followed by the slave address as soon as it detects that the bus is free (BUSY = 0) and after a delay of t_{BUF} .

In case of an arbitration loss, the master automatically switches back to slave mode and can acknowledge its own address if it is addressed as a slave.

Note: *The START bit is reset by hardware when the slave address has been sent on the bus, whatever the received acknowledge value. The START bit is also reset by hardware if an arbitration loss occurs. If the I²C is addressed as a slave (ADDR=1) while the START bit is set, the I²C switches to slave mode and the START bit is cleared when the ADDRCONF bit is set.*

Note: *The same procedure is applied for a repeated start condition. In this case BUSY=1.*

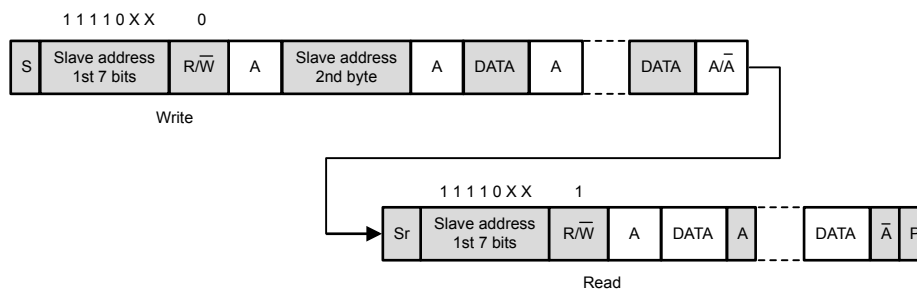
Figure 108. Master initialization flowchart



Initialization of a master receiver addressing a 10-bit address slave

- If the slave address is in 10-bit format, you can choose to send the complete read sequence by clearing the HEAD10R bit in the I2C_CR2 register. In this case the master automatically sends the following complete sequence after the START bit is set: (Re)Start + Slave address 10-bit header Write + Slave address 2nd byte + REStart + Slave address 10-bit header Read
- If the master addresses a 10-bit address slave, transmits data to this slave and then reads data from the same slave, a master transmission flow must be done first. Then a repeated start is set with the 10 bit slave address configured with HEAD10R=1. In this case the master sends this sequence: ReStart + Slave address 10-bit header Read.

Figure 109. 10-bit address read access with HEAD10R=1



Master transmitter

In the case of a write transfer, the TXIS flag is set after each byte transmission, after the 9th SCL pulse when an ACK is received.

A TXIS event generates an interrupt if the TXIE bit is set in the I2C_CR1 register. The flag is cleared when the I2C_TXDR register is written with the next data byte to be transmitted.

The number of TXIS events during the transfer corresponds to the value programmed in NBYTES[7:0]. If the total number of data bytes to be sent is greater than 255, reload mode must be selected by setting the RELOAD bit in the I2C_CR2 register. In this case, when NBYTES data have been transferred, the TCR flag is set and the SCL line is stretched low until NBYTES[7:0] is written to a non-zero value.

The TXIS flag is not set when a NACK is received.

- When RELOAD=0 and NBYTES data have been transferred:
 - In automatic end mode (AUTOEND=1), a STOP is automatically sent.
 - In software end mode (AUTOEND=0), the TC flag is set and the SCL line is stretched low in order to perform software actions:
 A RESTART condition can be requested by setting the START bit in the I2C_CR2 register with the proper slave address configuration, and number of bytes to be transferred. Setting the START bit clears the TC flag and the START condition is sent on the bus.
 A STOP condition can be requested by setting the STOP bit in the I2C_CR2 register. Setting the STOP bit clears the TC flag and the STOP condition is sent on the bus.
- If a NACK is received: the TXIS flag is not set, and a STOP condition is automatically sent after the NACK reception. the NACKF flag is set in the I2C_ISR register, and an interrupt is generated if the NACKIE bit is set.

Figure 110. Transfer sequence flowchart for I2C master transmitter for N 255 bytes

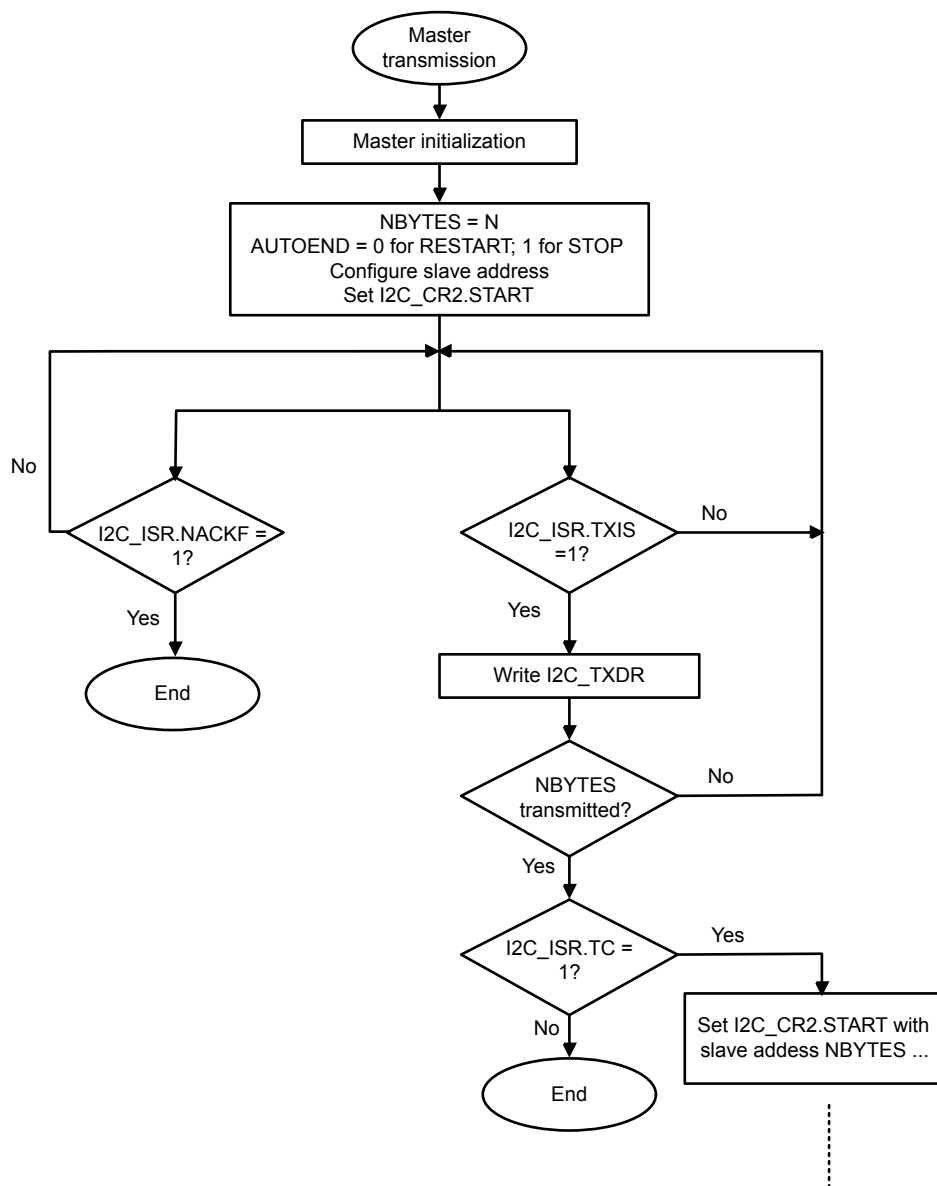


Figure 111. Transfer sequence flowchart for I2C master transmitter for N>255 bytes

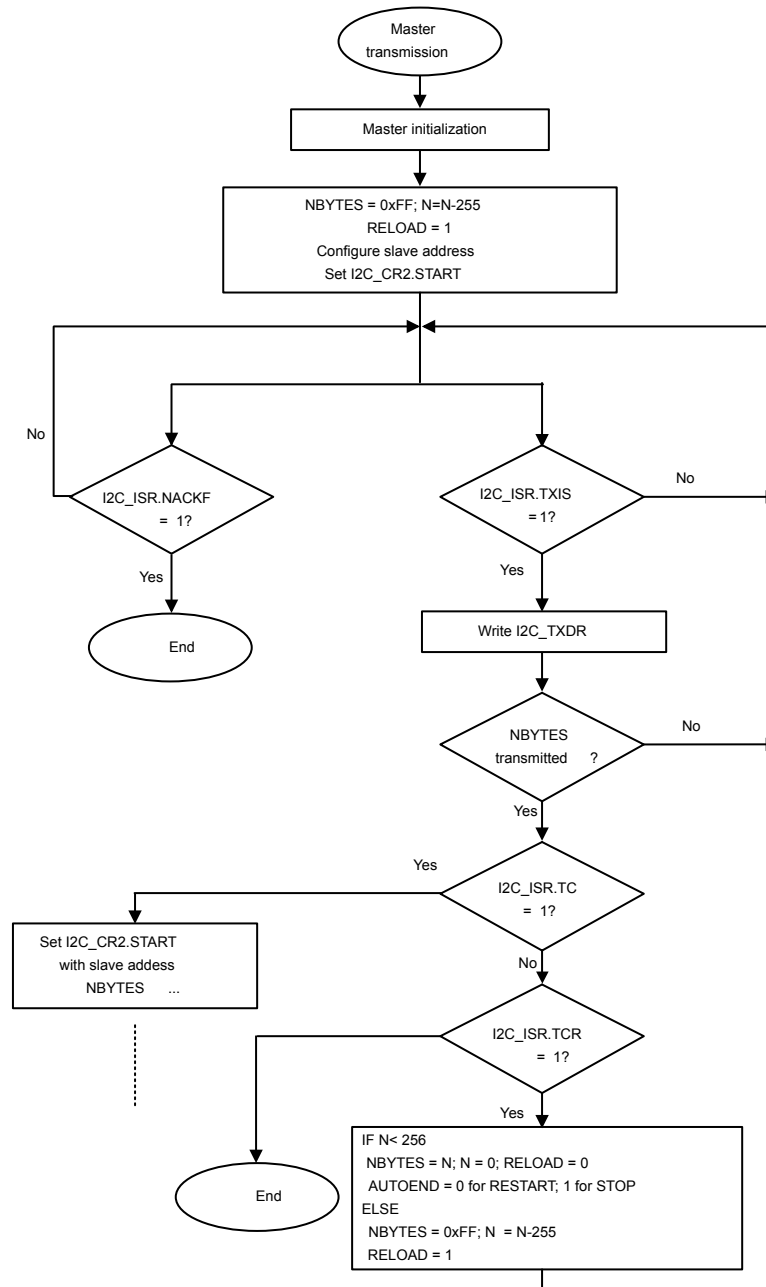
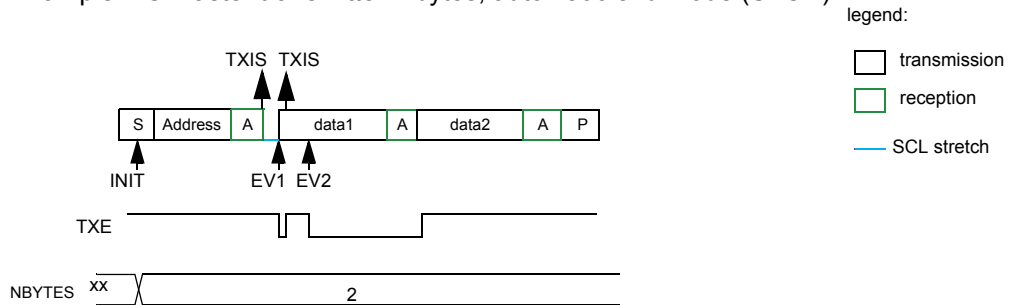


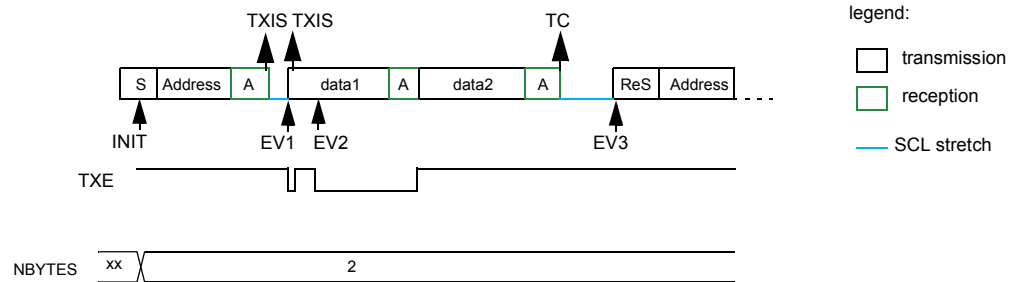
Figure 112. Transfer bus diagrams for I2C master transmitter

Example I2C master transmitter 2 bytes, automatic end mode (STOP)



INIT: program Slave address, program NBYTES = 2, AUTOEND=1, set START
 EV1: TXIS ISR: wr data1
 EV2: TXIS ISR: wr data2

Example I2C master transmitter 2 bytes, software end mode (RESTART)



INIT: program Slave address, program NBYTES = 2, AUTOEND=0, set START
 EV1: TXIS ISR: wr data1
 EV2: TXIS ISR: wr data2
 EV3: TC ISR: program Slave address, program NBYTES = N, set START

Master receiver

In the case of a read transfer, the RXNE flag is set after each byte reception, after the 8th SCL pulse. An RXNE event generates an interrupt if the RXIE bit is set in the I2C_CR1 register. The flag is cleared when I2C_RXDR is read.

If the total number of data bytes to be received is greater than 255, reload mode must be selected by setting the RELOAD bit in the I2C_CR2 register. In this case, when NBYTES[7:0] data have been transferred, the TCR flag is set and the SCL line is stretched low until NBYTES[7:0] is written to a non-zero value.

- When RELOAD=0 and NBYTES[7:0] data have been transferred:
 - In automatic end mode (AUTOEND=1), a NACK and a STOP are automatically sent after the last received byte
 - In software end mode (AUTOEND=0), a NACK is automatically sent after the last received byte, the TC flag is set and the SCL line is stretched low in order to allow software actions:
 A RESTART condition can be requested by setting the START bit in the I2C_CR2 register with the proper slave address configuration, and number of bytes to be transferred. Setting the START bit clears the TC flag and the START condition, followed by slave address, are sent on the bus.
 A STOP condition can be requested by setting the STOP bit in the I2C_CR2 register. Setting the STOP bit clears the TC flag and the STOP condition is sent on the bus.

Figure 113. Transfer sequence flowchart for I²C master receiver for N>255 bytes

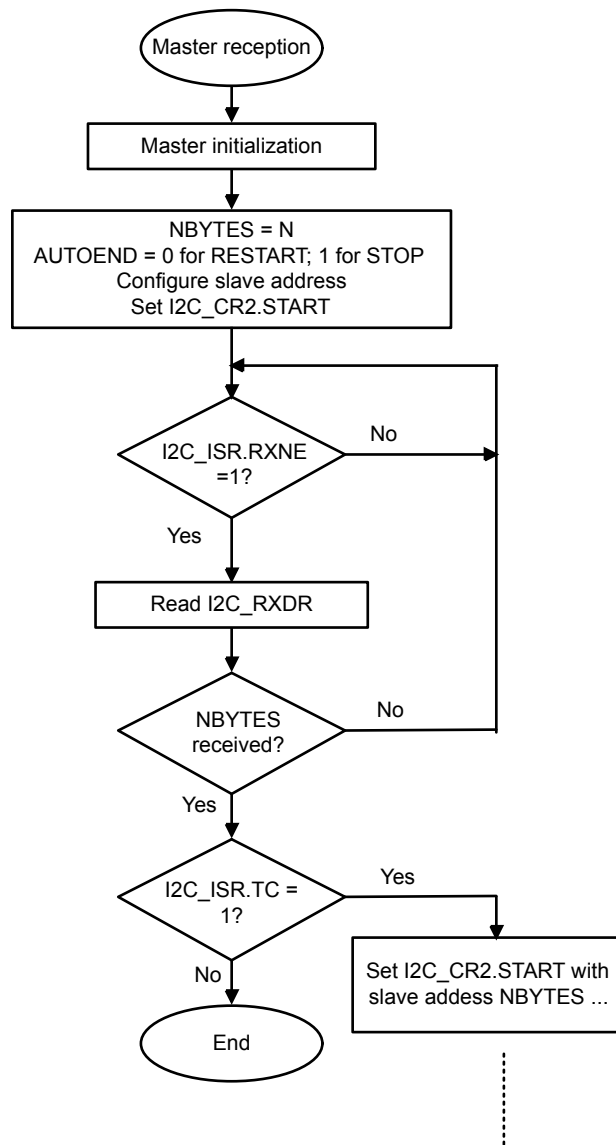


Figure 114. Transfer sequence flowchart for I²C master receiver for N > 255 bytes

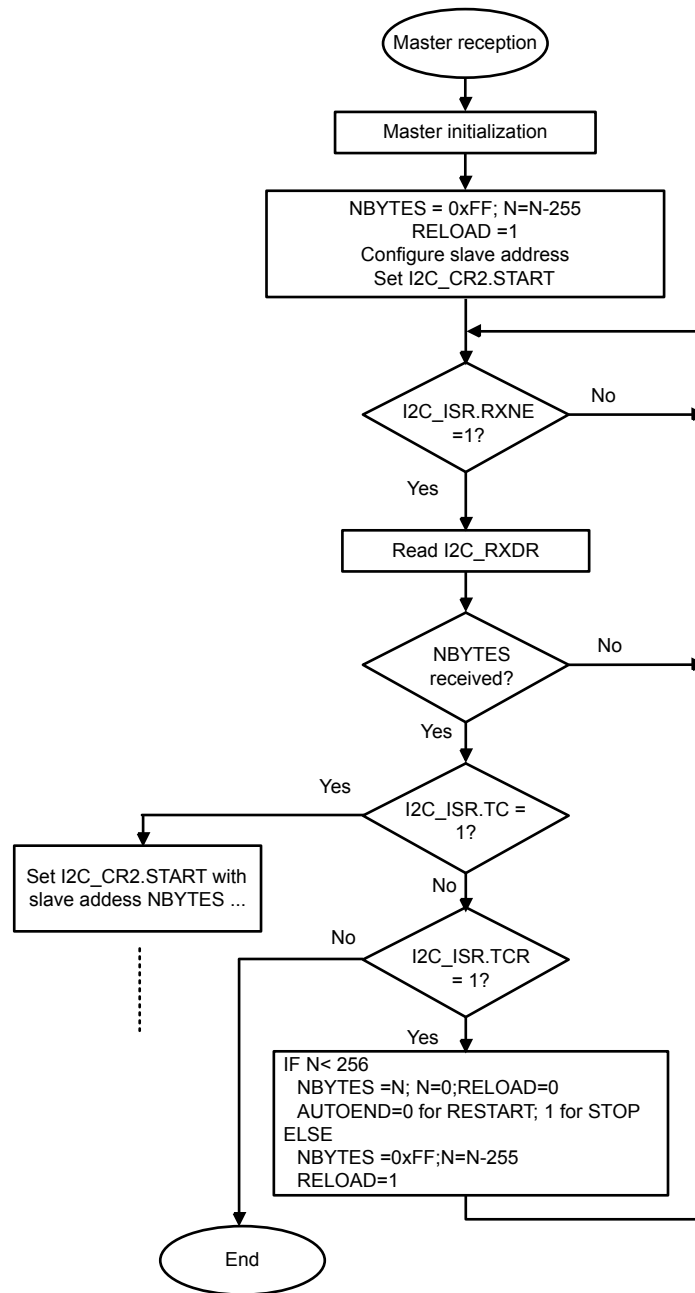
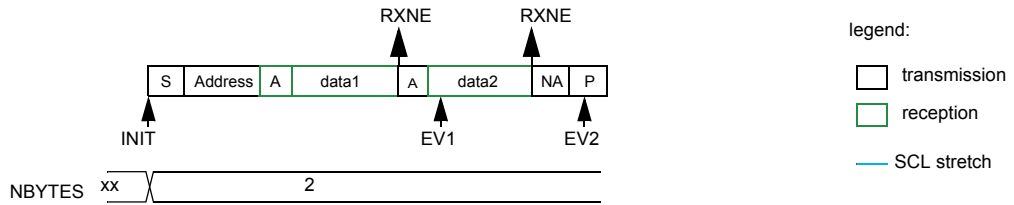


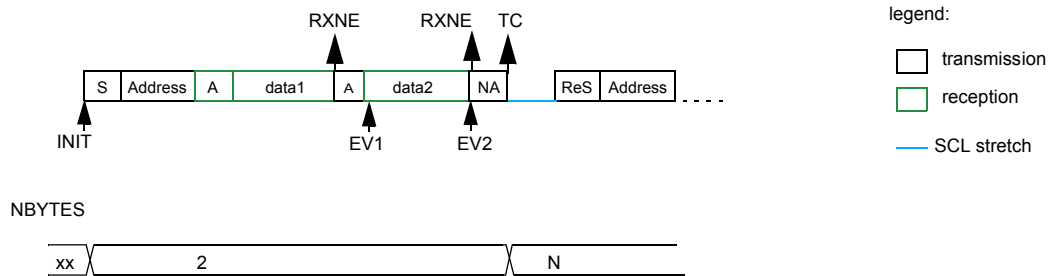
Figure 115. Transfer bus diagrams for I²C master receiver

Example I2C master receiver 2 bytes, automatic end mode (STOP)



INIT: program Slave address, program NBYTES = 2, AUTOEND=1, set START
 EV1: RXNE ISR: rd data1
 EV2: RXNE ISR: rd data2

Example I2C master receiver 2 bytes, software end mode (RESTART)



INIT: program Slave address, program NBYTES = 2, AUTOEND=0, set START
 EV1: RXNE ISR: rd data1
 EV2: RXNE ISR: read data2
 EV3: TC ISR: program Slave address, program NBYTES = N, set START

21.4.9 I2C_TIMINGR register configuration examples

The tables below provide examples of how to program the I2C_TIMINGR to obtain timings compliant with the I²C specifications.

Table 89. Examples of timings settings for $f_{I2CCLK} = 16$ MHz

| Parameter | Standard-mode (Sm) | | Fast-mode (Fm) | Fast-mode Plus (Fm+) |
|-----------------|-----------------------------|----------------------------|-------------------------|-------------------------|
| | 10 kHz | 100 kHz | 400 kHz | 1000 kHz |
| PRESCL | 3 | 3 | 1 | 0 |
| SCLL | 0xC7 | 0x13 | 0x9 | 0x4 |
| t_{SCLL} | 200 x 250 ns = 50 μ s | 20 x 250 ns = 5.0 μ s | 10 x 125 ns = 1250 ns | 5 x 62.5 ns = 312.5 ns |
| SCLH | 0xC3 | 0xF | 0x3 | 0x2 |
| t_{SCLH} | 196 x 250 ns = 49 μ s | 16 x 250 ns = 4.0 μ s | 4 x 125 ns = 500 ns | 3 x 62.5 ns = 187.5 ns |
| $t_{SCL}^{(1)}$ | ~100 μ s ⁽²⁾ | ~10 μ s ⁽²⁾ | ~2500 ns ⁽³⁾ | ~1000 ns ⁽⁴⁾ |
| SDADEL | 0x2 | 0x2 | 0x2 | 0x0 |
| t_{SDADEL} | 2 x 250 ns = 500 ns | 2 x 250 ns = 500 ns | 2 x 125 ns = 250 ns | 0 ns |
| SCLDEL | 0x4 | 0x4 | 0x3 | 0x2 |
| t_{SCLDEL} | 5 x 250 ns = 1250 ns | 5 x 250 ns = 1250 ns | 4 x 125 ns = 500 ns | 3 x 62.5 ns = 187.5 ns |

1. SCL period t_{SCL} is greater than $t_{SCLL} + t_{SCLH}$ due to SCL internal detection delay. Values provided for t_{SCL} are examples only.
2. $t_{SYNC1} + t_{SYNC2}$ minimum value is $4 \times t_{I2CCLK} = 250$ ns. Example with $t_{SYNC1} + t_{SYNC2} = 1000$ ns
3. $t_{SYNC1} + t_{SYNC2}$ minimum value is $4 \times t_{I2CCLK} = 250$ ns. Example with $t_{SYNC1} + t_{SYNC2} = 750$ ns
4. $t_{SYNC1} + t_{SYNC2}$ minimum value is $4 \times t_{I2CCLK} = 250$ ns. Example with $t_{SYNC1} + t_{SYNC2} = 500$ ns

21.4.10 SMBus specific features

This section is relevant only when SMBus feature is supported. Refer to [Section 21.3: I²C implementation](#).

Introduction

The system management bus (SMBus) is a two-wire interface through which various devices can communicate with each other and with the rest of the system. It is based on I²C principles of operation. SMBus provides a control bus for system and power management related tasks.

This peripheral is compatible with the SMBUS specification rev 2.0 (<http://smbus.org>).

The system management bus specification refers to three types of devices.

- A slave is a device that receives or responds to a command
- A master is a device that issues commands, generates the clocks and terminates the transfer
- A host is a specialized master that provides the main interface to the system's CPU. A host must be a master-slave and must support the SMBus host notify protocol. Only one host is allowed in a system.

This peripheral can be configured as master or slave device, and also as a host.

SMBUS is based on I²C specification rev 2.1.

Bus protocols

There are eleven possible command protocols for any given device. A device may use any or all of the eleven protocols to communicate. The protocols are Quick Command, Send Byte, Receive Byte, Write Byte, Write Word, Read Byte, Read Word, Process Call, Block Read, Block Write and Block Write-Block Read Process Call. These protocols should be implemented by the user software.

For more details of these protocols, refer to SMBus specification version 2.0 (<http://smbus.org>).

Address resolution protocol (ARP)

SMBus slave address conflicts can be resolved by dynamically assigning a new unique address to each slave device. In order to provide a mechanism to isolate each device for the purpose of address assignment each device must implement a unique device identifier (UDID). This 128-bit number is implemented by software.

This peripheral supports the address resolution protocol (ARP). The SMBus Device Default Address (0b1100 001) is enabled by setting the SMBDEN bit in the I2C_CR1 register. The ARP commands should be implemented by the user software.

Arbitration is also performed in slave mode for ARP support.

For more details of the SMBus Address Resolution Protocol, refer to SMBus specification version 2.0 (<http://smbus.org>).

Received command and data acknowledge control

An SMBus receiver must be able to NACK each received command or data. In order to allow the ACK control in slave mode, the Slave Byte Control mode must be enabled by setting SBC bit in I2C_CR1 register. Refer to [Section 21.4.13: SMBus slave mode](#) for more details.

Host Notify protocol

This peripheral supports the Host Notify protocol by setting the SMBHEN bit in the I2C_CR1 register. In this case the host acknowledges the SMBus Host address (0b0001 000).

When this protocol is used, the device acts as a master and the host as a slave.

SMBus alert

The SMBus ALERT optional signal is supported. A slave-only device can signal the host through the SMBALERT# pin that it wants to talk. The host processes the interrupt and simultaneously accesses all SMBALERT# devices through the Alert Response Address (0b0001 100). Only the device(s) which pulled SMBALERT# low acknowledges the Alert Response Address.

When configured as a slave device (SMBHEN=0), the SMBA pin is pulled low by setting the ALERTEN bit in the I2C_CR1 register. The Alert Response Address is enabled at the same time.

When configured as a host (SMBHEN=1), the ALERT flag is set in the I2C_ISR register when a falling edge is detected on the SMBA pin and ALERTEN=1. An interrupt is generated if the ERRIE bit is set in the I2C_CR1 register. When ALERTEN=0, the ALERT line is considered high even if the external SMBA pin is low.

If the SMBus ALERT pin is not needed, the SMBA pin can be used as a standard GPIO if ALERTEN=0.

Packet error checking

A packet error checking mechanism has been introduced in the SMBus specification to improve reliability and communication robustness. Packet Error Checking is implemented by appending a Packet Error Code (PEC) at the end of each message transfer. The PEC is calculated by using the $C(x) = x^8 + x^2 + x + 1$ CRC-8 polynomial on all the message bytes (including addresses and read/write bits).

The peripheral embeds a hardware PEC calculator and allows a non Acknowledge to be sent automatically when the received byte does not match with the hardware calculated PEC.

Timeouts

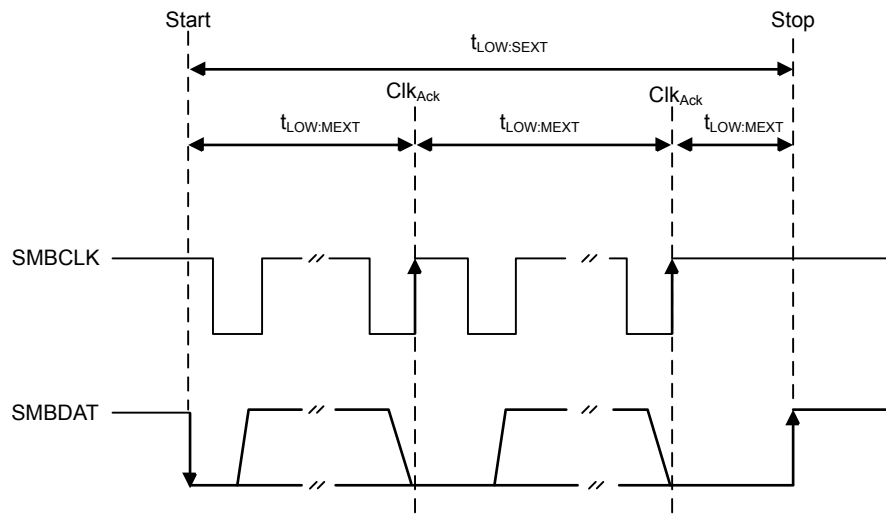
This peripheral embeds hardware timers in order to be compliant with the 3 timeouts defined in SMBus specification version 2.0.

Table 90. SMBus timeout specifications

| Symbol | Parameter | Limits | | Unit |
|-----------------------------|--|--------|------|------|
| | | Min. | Max. | |
| t_{TIMEOUT} | Detect clock low timeout | 25 | 35 | ms |
| $t_{\text{LOW:SEXT}}^{(1)}$ | Cumulative clock low extend time (slave device) | | 25 | ms |
| $t_{\text{LOW:MEXT}}^{(2)}$ | Cumulative clock low extend time (master device) | | 10 | ms |

- $t_{\text{LOW:SEXT}}$ is the cumulative time a given slave device is allowed to extend the clock cycles in one message from the initial START to the STOP. It is possible that, another slave device or the master also extends the clock causing the combined clock low extend time to be greater than $t_{\text{LOW:SEXT}}$. Therefore, this parameter is measured with the slave device as the sole target of a full-speed master.
- $t_{\text{LOW:MEXT}}$ is the cumulative time a master device is allowed to extend its clock cycles within each byte of a message as defined from START-to-ACK, ACK-to-ACK, or ACK-to-STOP. It is possible that a slave device or another master also extends the clock causing the combined clock low time to be greater than $t_{\text{LOW:MEXT}}$ on a given byte. Therefore, this parameter is measured with a full speed slave device as the sole target of the master.

Figure 116. Timeout intervals for $t_{LOW:SEXT}$, $t_{LOW:MEXT}$



Bus idle detection

A master can assume that the bus is free if it detects that the clock and data signals have been high for t_{IDLE} greater than $t_{HIGH, MAX}$. (Refer to [Table 88. I²C-SMBUS specification clock timings](#)).

This timing parameter covers the condition where a master has been dynamically added to the bus and may not have detected a state transition on the SMBCLK or SMBDAT lines. In this case, the master must wait long enough to ensure that a transfer is not currently in progress. The peripheral supports a hardware bus idle detection.

21.4.11 SMBus initialization

This section is relevant only when SMBus feature is supported. Refer to [Section 21.3: I²C implementation](#).

In addition to I²C initialization, some other specific initializations must be done in order to perform SMBus communication:

Received command and data acknowledge control (slave mode)

An SMBus receiver must be able to NACK each received command or data. In order to allow ACK control in slave mode, the slave byte control mode must be enabled by setting the SBC bit in the I2C_CR1 register. Refer to [Section 21.4.7: I2C slave mode "slave bite control mode"](#) for more details.

Specific address (slave mode)

The specific SMBus addresses should be enabled if needed.

- The SMBus Device Default address (0b1100 001) is enabled by setting the SMBDEN bit in the I2C_CR1 register
- The SMBus Host address (0b0001 000) is enabled by setting the SMBHEN bit in the I2C_CR1 register.
- The Alert Response Address (0b0001100) is enabled by setting the ALERTEN bit in the I2C_CR1 register.

Packet error checking

PEC calculation is enabled by setting the PECEN bit in the I2C_CR1 register. Then the PEC transfer is managed with the help of a hardware byte counter: NBYTES[7:0] in the I2C_CR2 register. The PECEN bit must be configured before enabling the I²C.

The PEC transfer is managed with the hardware byte counter, so the SBC bit must be set when interfacing the SMBus in slave mode. The PEC is transferred after NBYTES-1 data have been transferred when the PECBYTE bit is set and the RELOAD bit is cleared. If RELOAD is set, PECBYTE has no effect.

Caution: Changing the PECEN configuration is not allowed when the I²C is enabled.

Table 91. SMBUS with PEC configuration

| Mode | SBC bit | RELOAD bit | AUTOEND bit | PECBYTE bit |
|-------------------------------------|---------|------------|-------------|-------------|
| Master Tx/Rx NBYTES + PEC+ STOP | x | 0 | 1 | 1 |
| Master Tx/Rx NBYTES + PEC + ReSTART | x | 0 | 0 | 1 |
| Slave Tx/Rx with PEC | 1 | 0 | x | 1 |

Timeout detection

The timeout detection is enabled by setting the TIMOUTEN and TEXTEN bits in the I2C_TIMEOUTR register. The timers must be programmed in such a way that they detect a timeout before the maximum time given in the SMBus specification version 2.0.

- $t_{\text{TIMEOUTcheck}}$

In order to enable the t_{TIMEOUT} check, the 12-bit TIMEOUTA[11:0] bits must be programmed with the timer reload value in order to check the t_{TIMEOUT} parameter. The TIDLE bit must be configured to '0' in order to detect the SCL low level timeout.

Then the timer is enabled by setting the TIMOUTEN in the I2C_TIMEOUTR register.

If SCL is tied low for a time greater than $(\text{TIMEOUTA}+1) \times 2048 \times t_{\text{I2CCLK}}$, the TIMEOUT flag is set in the I2C_ISR register.

Refer to [Table 92. Examples of TIMEOUTA settings \(max. \$t_{\text{TIMEOUT}} = 25 \text{ ms}\$ \)](#).

Caution: Changing the TIMEOUTA[11:0] bits and TIDLE bit configuration is not allowed when the TIMEOUTEN bit is set.

- $t_{\text{LOW:SEXT}}$ and $t_{\text{LOW:MEXT}}$ check

Depending on whether the peripheral is configured as a master or as a slave, the 12-bit TIMEOUTB timer must be configured in order to check $t_{\text{LOW:SEXT}}$ for a slave and $t_{\text{LOW:MEXT}}$ for a master. As the standard specifies only a maximum, you can choose the same value for both.

Then the timer is enabled by setting the TEXTEN bit in the I2C_TIMEOUTR register.

If the SMBus peripheral performs a cumulative SCL stretch for a time greater than $(\text{TIMEOUTB}+1) \times 2048 \times t_{\text{I2CCLK}}$, the timeout interval, the TIMEOUT flag is set in the I2C_ISR register.

Refer to [Table 93. Example of TIMEOUTB settings](#).

Caution: Changing the TIMEOUTB configuration is not allowed when the TEXTEN bit is set.

Bus idle detection

In order to enable the t_{IDLE} check, the 12-bit TIMEOUTA[11:0] field must be programmed with the timer reload value in order to obtain the t_{IDLE} parameter. The TIDLE bit must be configured to '1' in order to detect both SCL and SDA high level timeout.

Then the timer is enabled by setting the TIMOUTEN bit in the I2C_TIMEOUTR register.

If both the SCL and SDA lines remain high for a time greater than $(\text{TIMEOUTA}+1) \times 4 \times t_{\text{I2CCLK}}$, the TIMEOUT flag is set in the I2C_ISR register.

Refer to [Table 94. Examples of TIMEOUTA settings \(max. \$t_{\text{IDLE}} = 50 \mu\text{s}\$ \)](#).

Caution: Changing the TIMEOUTA and TIDLE configuration is not allowed when the TIMEOUTEN is set.

21.4.12 SMBus: I2C_TIMEOUTR register configuration examples

This section is relevant only when SMBus feature is supported. Refer to [Section 21.3: I²C implementation](#).

- Configuring the maximum duration of t_{TIMEOUT} to 25 ms:

Table 92. Examples of TIMEOUTA settings (max. $t_{\text{TIMEOUT}} = 25$ ms)

| f_{I2CCCLK} | TIMEOUTA[11:0]bits | TIDLE bit | TIMEOUTEN bit | t_{TIMEOUT} |
|----------------------|--------------------|-----------|---------------|--|
| 16 MHz | 0xC3 | 0 | 1 | $196 \times 2048 \times 62.5 \text{ ns} = 25 \text{ ms}$ |

- Configuring the maximum duration of $t_{\text{LOW:SEXT}}$ and $t_{\text{LOW:MEXT}}$ to 8 ms:

Table 93. Example of TIMEOUTB settings

| f_{I2CCCLK} | TIMEOUTB[11:0]bits | TEXTEN bit | $t_{\text{LOW:EXT}}$ |
|----------------------|--------------------|------------|--|
| 16 MHz | 0x3F | 0 | $64 \times 2048 \times 62.5 \text{ ns} = 8 \text{ ms}$ |

- Configuring the maximum duration of t_{IDLE} to 50 μs :

Table 94. Examples of TIMEOUTA settings (max. $t_{\text{IDLE}} = 50$ μs)

| f_{I2CCCLK} | TIMEOUTA[11:0]bits | TIDLE bit | TIMEOUTEN bit | t_{IDLE} |
|----------------------|--------------------|-----------|---------------|--|
| 16 MHz | 0xC7 | 0 | 1 | $200 \times 4 \times 62.5 \text{ ns} = 50 \mu\text{s}$ |

21.4.13 SMBus slave mode

This section is relevant only when SMBus feature is supported. Refer to [Section 21.3: I²C implementation](#).

In addition to I²C slave transfer management (refer to [Section 21.4.7: I2C slave mode](#)) some additional software flowcharts are provided to support SMBus.

SMBus slave transmitter

When the IP is used in SMBus, SBC must be programmed to '1' in order to allow the PEC transmission at the end of the programmed number of data bytes. When the PECBYTE bit is set, the number of bytes programmed in NBYTES[7:0] includes the PEC transmission. In that case the total number of TXIS interrupts is NBYTES-1 and the content of the I2C_PECR register is automatically transmitted if the master requests an extra byte after the NBYTES-1 data transfer.

Caution: The PECBYTE bit has no effect when the RELOAD bit is set.

Figure 117. Transfer sequence flowchart for SMBus slave transmitter N bytes + PEC

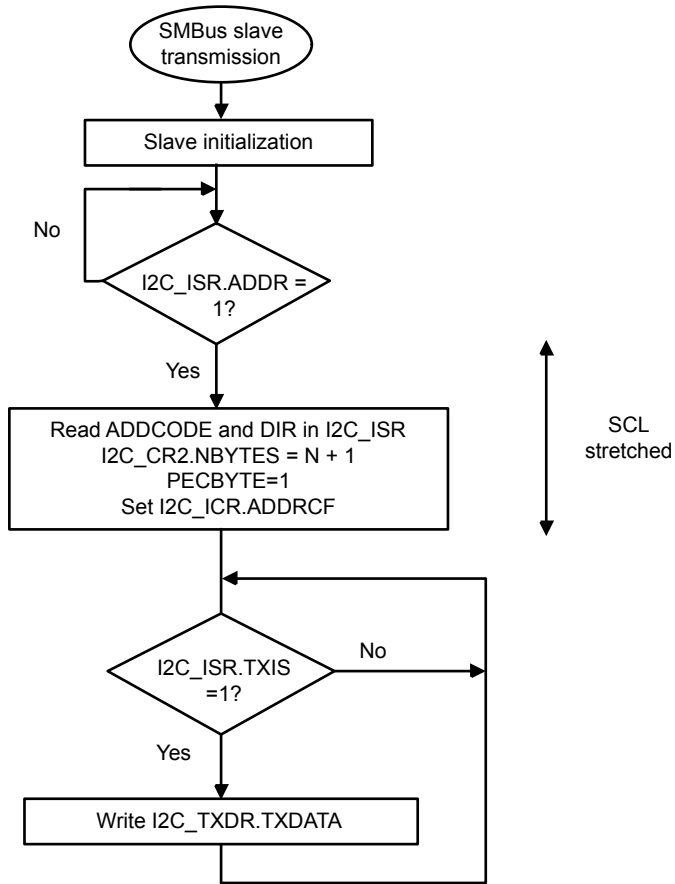
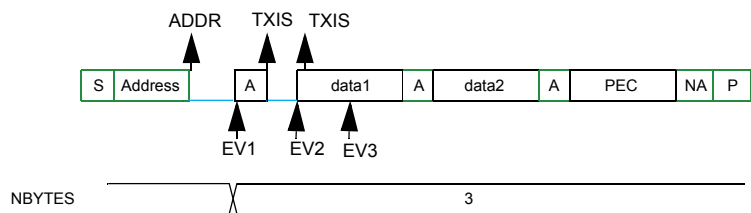


Figure 118. Transfer bus diagrams for SMBus slave transmitter (SBC=1)

Example SMBus slave transmitter 2 bytes + PEC,



EV1: ADDR ISR: check ADDCODE, program NBYTES=3, set PECBYTE, set ADDRCONF
 EV2: TXIS ISR: wr data1
 EV3: TXIS ISR: wr data2

SMBus slave receiver

When the I²C is used in SMBus mode, SBC must be programmed to '1' in order to allow the PEC checking at the end of the programmed number of data bytes. In order to allow the ACK control of each byte, the reload mode must be selected (RELOAD=1).

Refer to [Section 21.4.7: I2C slave mode "slave bite control mode"](#) for more details.

In order to check the PEC byte, the RELOAD bit must be cleared and the PECBYTE bit must be set. In this case, after NBYTES-1 data have been received, the next received byte is compared with the internal I2C_PECR register content. A NACK is automatically generated if the comparison does not match, and an ACK is automatically generated if the comparison matches, whatever the ACK bit value. Once the PEC byte is received, it is copied into the I2C_RXDR register like any other data, and the RXNE flag is set.

In the case of a PEC mismatch, the PECERR flag is set and an interrupt is generated if the ERRIE bit is set in the I2C_CR1 register.

If no ACK software control is needed, you can program PECBYTE=1 and, in the same write operation, program NBYTES with the number of bytes to be received in a continuous flow. After NBYTES-1 are received, the next received byte is checked as being the PEC.

Caution: The PECBYTE bit has no effect when the RELOAD bit is set.

Figure 119. Transfer sequence flowchart for SMBus slave receiver N bytes + PEC

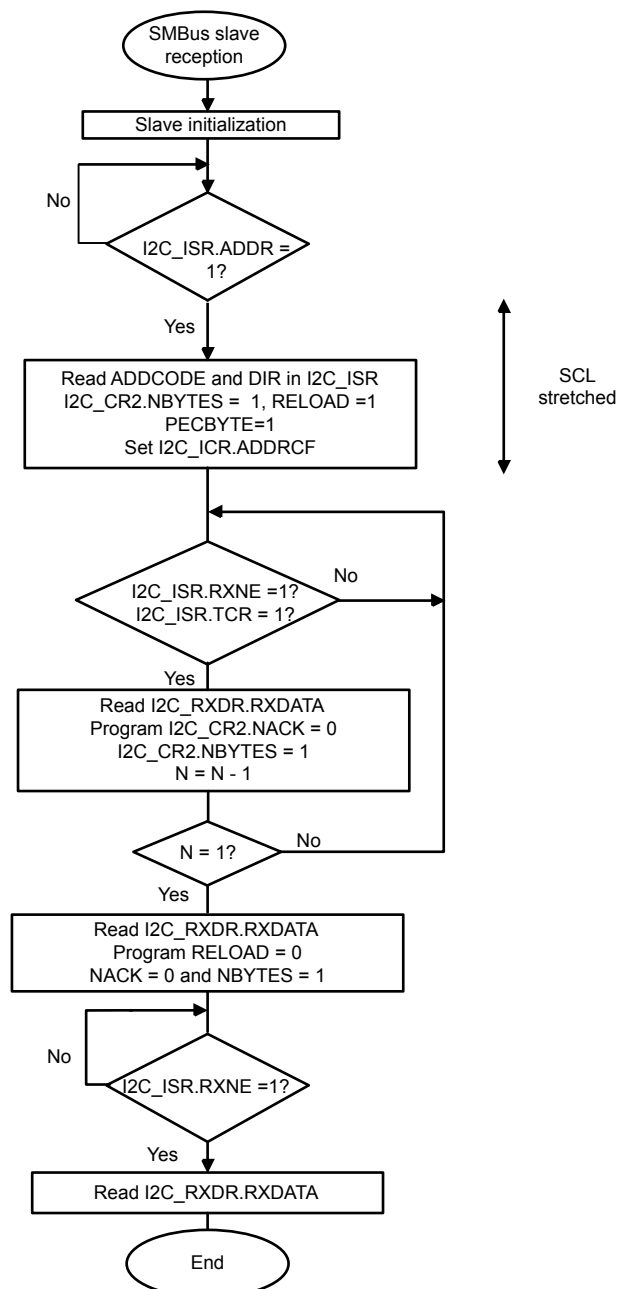
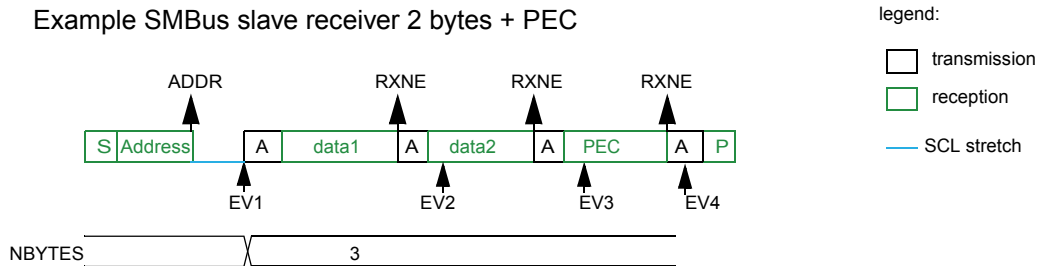
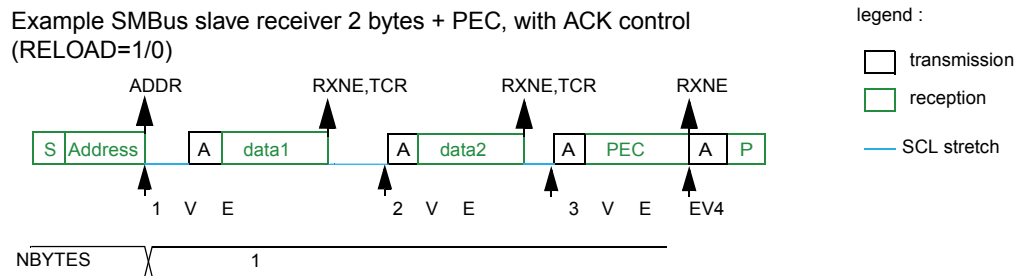


Figure 120. Bus transfer diagrams for SMBus slave receiver (SBC=1)



EV1: ADDR ISR: check ADDCODE and DIR, program NBYTES = 3, PECBYTE=1, RELOAD=0, set ADDRRCF
 EV2: RXNE ISR: rd data1
 EV3: RXNE ISR: rd data2
 EV4: RXNE ISR: rd PEC



EV1: ADDR ISR: check ADDCODE and DIR, program NBYTES = 1, PECBYTE=1, RELOAD=1, set ADDRRCF
 EV2: RXNE-TCR ISR: rd data1, program NACK=0 and NBYTES = 1
 EV3: RXNE-TCR ISR: rd data2, program NACK=0, NBYTES = 1 and RELOAD=0
 EV4: RXNE-TCR ISR: rd PEC

This section is relevant only when SMBus feature is supported. Refer to [Section 21.3: I²C implementation](#).

In addition to I²C master transfer management (refer to [Section 21.4.8: I2C master mode](#)) some additional software flowcharts are provided to support SMBus.

SMBus master transmitter

When the SMBus master wants to transmit the PEC, the PECBYTE bit must be set and the number of bytes must be programmed in the NBYTES[7:0] field, before setting the START bit. In this case the total number of TXIS interrupts is NBYTES-1. So if the PECBYTE bit is set when NBYTES=0x1, the content of the I2C_PECR register is automatically transmitted.

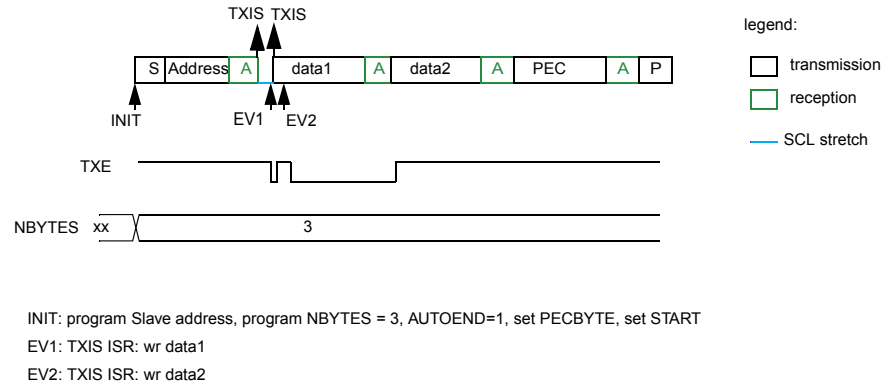
If the SMBus master wants to send a STOP condition after the PEC, automatic end mode should be selected (AUTOEND=1). In this case, the STOP condition automatically follows the PEC transmission.

When the SMBus master wants to send a RESTART condition after the PEC, software mode must be selected (AUTOEND=0). In this case, once NBYTES-1 have been transmitted, the I2C_PECR register content is transmitted and the TC flag is set after the PEC transmission, stretching the SCL line low. The RESTART condition must be programmed in the TC interrupt subroutine.

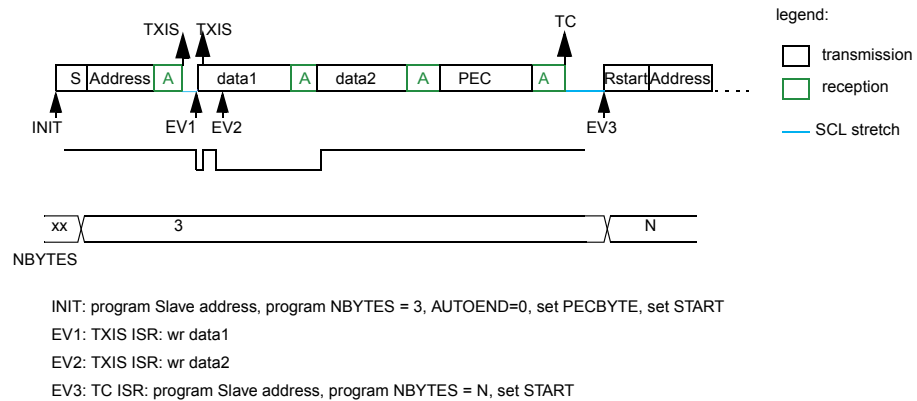
Caution: The PECBYTE bit has no effect when the RELOAD bit is set.

Figure 121. Bus transfer diagrams for SMBus master transmitter

Example SMBus master transmitter 2 bytes + PEC, automatic end mode (STOP)



Example SMBus master transmitter 2 bytes + PEC, software end mode (RESTART)



SMBus master receiver

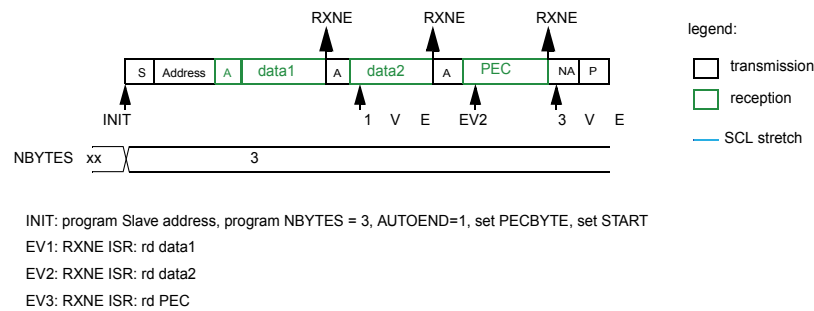
When the SMBus master wants to receive the PEC followed by a STOP at the end of the transfer, automatic end mode can be selected (AUTOEND=1). The PECBYTE bit must be set and the slave address must be programmed, before setting the START bit. In this case, after NBYTES-1 data have been received, the next received byte is automatically checked versus the I2C_PECR register content. A NACK response is given to the PEC byte, followed by a STOP condition.

When the SMBus master receiver wants to receive the PEC byte followed by a RESTART condition at the end of the transfer, software mode must be selected (AUTOEND=0). The PECBYTE bit must be set and the slave address must be programmed, before setting the START bit. In this case, after NBYTES-1 data have been received, the next received byte is automatically checked versus the I2C_PECR register content. The TC flag is set after the PEC byte reception, stretching the SCL line low. The RESTART condition can be programmed in the TC interrupt subroutine.

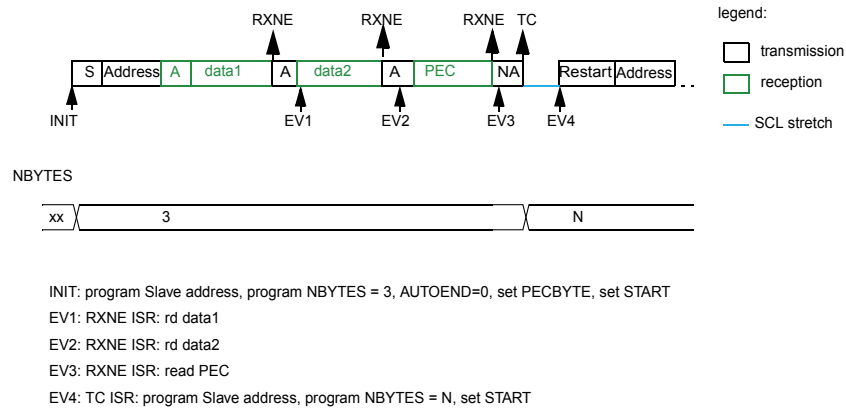
Caution: The PECBYTE bit has no effect when the RELOAD bit is set.

Figure 122. Bus transfer diagrams for SMBus master receiver

Example SMBus master receiver 2 bytes + PEC, automatic end mode (STOP)



Example SMBus master receiver 2 bytes + PEC, software end mode (RESTART)



21.4.14 Error conditions

The following are error conditions which may cause communication to fail.

Bus error (BERR)

A bus error is detected when a START or a STOP condition is detected and is not located after a multiple of 9 SCL clock pulses. A START or a STOP condition is detected when an SDA edge occurs while SCL is high.

The bus error flag is set only if the I²C is involved in the transfer as master or addressed slave (i.e not during the address phase in slave mode).

In case of a misplaced START or RESTART detection in slave mode, the I²C enters address recognition state like for a correct START condition.

When a bus error is detected, the BERR flag is set in the I2C_ISR register, and an interrupt is generated if the ERRIE bit is set in the I2C_CR1 register.

Arbitration loss (ARLO)

An arbitration loss is detected when a high level is sent on the SDA line, but a low level is sampled on the SCL rising edge.

- In master mode, arbitration loss is detected during the address phase, data phase and data acknowledge phase. In this case, the SDA and SCL lines are released, the START control bit is cleared by hardware and the master switches automatically to slave mode.
- In slave mode, arbitration loss is detected during data phase and data acknowledge phase. In this case, the transfer is stopped, and the SCL and SDA lines are released.

When an arbitration loss is detected, the ARLO flag is set in the I2C_ISR register, and an interrupt is generated if the ERRIE bit is set in the I2C_CR1 register.

Overrun/underrun error (OVR)

An overrun or underrun error is detected in slave mode when NOSTRETCH=1 and:

- In reception when a new byte is received and the RXDR register has not been read yet. The new received byte is lost, and a NACK is automatically sent as a response to the new byte.
- In transmission:
 - When STOPF=1 and the first data byte should be sent. The content of the I2C_TXDR register is sent if TXE=0, 0xFF if not.
 - When a new byte should be sent and the I2C_TXDR register has not been written yet, 0xFF is sent.

When an overrun or underrun error is detected, the OVR flag is set in the I2C_ISR register, and an interrupt is generated if the ERRIE bit is set in the I2C_CR1 register.

Packet Error Checking Error (PECERR)

This section is relevant only when the SMBus feature is supported. Refer to [Section 21.3: I²C implementation](#).

A PEC error is detected when the received PEC byte does not match with the I2C_PECR register content. A NACK is automatically sent after the wrong PEC reception.

When a PEC error is detected, the PECERR flag is set in the I2C_ISR register, and an interrupt is generated if the ERRIE bit is set in the I2C_CR1 register.

Timeout Error (TIMEOUT)

This section is relevant only when the SMBus feature is supported. Refer to [Section 21.3: I²C implementation](#).

A timeout error occurs for any of these conditions:

- TIDLE=0 and SCL remained low for the time defined in the TIMEOUTA[11:0] bits: this is used to detect a SMBus timeout
- TIDLE=1 and both SDA and SCL remained high for the time defined in the TIMEOUTA [11:0] bits: this is used to detect a bus idle condition
- Master cumulative clock low extend time reached the time defined in the TIMEOUTB[11:0] bits (SMBus tLOW:MEXTparameter)
- Slave cumulative clock low extend time reached the time defined in TIMEOUTB[11:0] bits (SMBus tLOW:SEXTparameter).

When a timeout violation is detected in master mode, a STOP condition is automatically sent.

When a timeout violation is detected in slave mode, SDA and SCL lines are automatically released.

When a timeout error is detected, the TIMEOUT flag is set in the I2C_ISR register, and an interrupt is generated if the ERRIE bit is set in the I2C_CR1 register.

Alert (ALERT)

This section is relevant only when the SMBus feature is supported. Refer to [Section 21.3: I²C implementation](#).

The ALERT flag is set when the I²C interface is configured as a host (SMBHEN=1), the alert pin detection is enabled (ALERTEN=1) and a falling edge is detected on the SMBA pin. An interrupt is generated if the ERRIE bit is set in the I2C_CR1 register.

21.4.15 DMA requests

Transmission using DMA

DMA (Direct Memory Access) can be enabled for transmission by setting the TXDMAEN bit in the I2C_CR1 register. Data is loaded from an SRAM area configured using the DMA peripheral (see DMA controller (DMA)) to the I2C_TXDR register whenever the TXIS bit is set.

Only the data are transferred with DMA.

- In master mode: the initialization, the slave address, direction, number of bytes and START bit are programmed by software (the transmitted slave address cannot be transferred with DMA). When all data are transferred using DMA, the DMA must be initialized before setting the START bit. The end of transfer is managed with the NBYTES counter.
- In slave mode:
 - With NOSTRETCH=0, when all data are transferred using DMA, the DMA must be initialized before the address match event, or in ADDR interrupt subroutine, before clearing ADDR
 - With NOSTRETCH=1, the DMA must be initialized before the address match event.
- For instances supporting SMBus: the PEC transfer is managed with NBYTES counter.

Refer to [Section 21.4.13: SMBus slave mode](#) "SMBus Slave transmitter" and "SMBus Master transmitter" for more details.

Note: If DMA is used for transmission, the TXIE bit does not need to be enabled.

Reception using DMA

DMA (direct memory access) can be enabled for reception by setting the RXDMAEN bit in the I2C_CR1 register. Data is loaded from the I2C_RXDR register to an SRAM area configured using the DMA peripheral (refer to DMA controller (DMA)) whenever the RXNE bit is set. Only the data (including PEC) are transferred with DMA.

- In master mode, the initialization, the slave address, direction, number of bytes and START bit are programmed by software. When all data are transferred using DMA, the DMA must be initialized before setting the START bit. The end of transfer is managed with the NBYTES counter.
- In slave mode with NOSTRETCH=0, when all data are transferred using DMA, the DMA must be initialized before the address match event, or in the ADDR interrupt subroutine, before clearing the ADDR flag.
- If SMBus is supported (see [Section 21.3: I²C implementation](#)): the PEC transfer is managed with the NBYTES counter.

Note: If DMA is used for reception, the RXIE bit does not need to be enabled.

21.5 I2C interrupts

The table below gives the list of I²C interrupt requests.

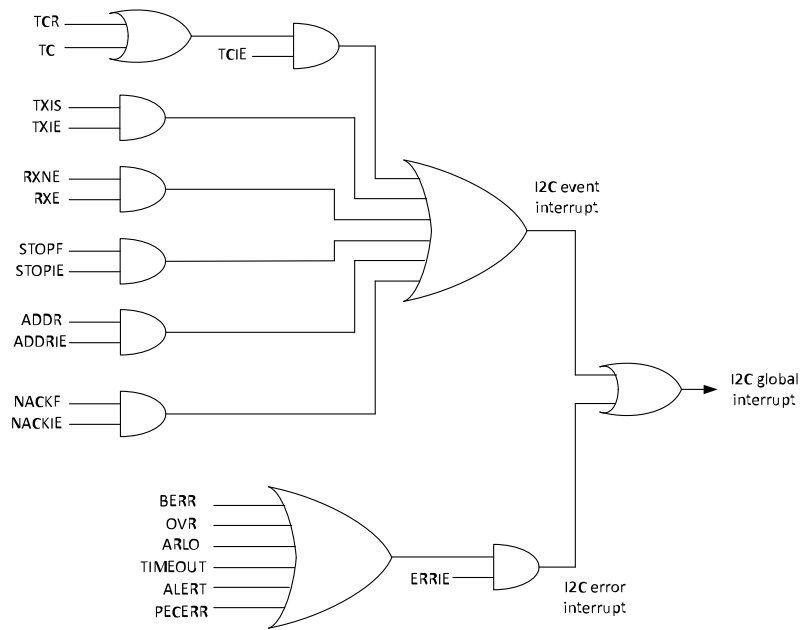
Table 95. I²C interrupt requests

| Interrupt event | Event flag | Event flag/interrupt clearing method | Interrupt enable control bit |
|----------------------------------|------------|--------------------------------------|------------------------------|
| Receive buffer not empty | RXNE | Read I2C_RXDR register | RXIE |
| Transmit buffer interrupt status | TXIS | Write I2C_TXDR register | TXIE |
| Stop detection interrupt flag | STOPF | Write STOPCF=1 | STOPIE |
| Transfer complete reload | TCR | Write I2C_CR2 with NBYTES[7:0] ' 0 | TCIE |
| Transfer complete | TC | Write START=1 or STOP=1 | |
| Address matched | ADDR | Write ADDRCF=1 | ADDRIE |
| NACK reception | NACKF | Write NACKCF=1 | NACKIE |
| Bus error | BERR | Write BERRCF=1 | ERRIE |
| Arbitration loss | ARLO | Write ARLOCF=1 | |
| Overrun/underrun | OVR | Write OVRCF=1 | |
| PEC error | PECERR | Write PECERRCF=1 | |
| Timeout/t _{LOW} error | TIMEOUT | Write TIMEOUTCF=1 | |
| SMBus alert | ALERT | Write ALERTCF=1 | |

Depending on the product implementation, all these interrupt events can either share the same interrupt vector (I²C global interrupt), or be grouped into 2 interrupt vectors (I²C event interrupt and I²C error interrupt, see [Section 2.3.2: Interrupts](#)). In order to enable the I²C interrupts, the following sequence is required:

- Configure and enable the I²C IRQ channel in the NVIC
- Configure the I²C to generate interrupts

Figure 123. I²C interrupt mapping diagram



21.6 I2C registers

Refer to [Section 1.5: Acronyms](#) for a list of abbreviations used in register descriptions. The peripheral registers are accessed by words (32-bit).

21.6.1 Control register 1 (I2C_CR1)

Address offset: 0x00 Reset value: 0x0000 0000

Access: no wait states, except if a write access occurs while a write access to this register is on-going. In this case, wait states are inserted in the second write access until the previous one is completed. The latency of the second write access can be up to $2 \times \text{PCLK1} + 6 \times \text{I2CCLK}$.

| | | | | | | | | | | | | | | | | |
|----------|----------|------|--------|------|------|------|------|-------|----------|---------|---------|---------|------|-----------|-----|----|
| 31 | 30 | 29 | 28 | 27 | 26 | 25 | 24 | 23 | 22 | 21 | 20 | 19 | 18 | 17 | 16 | |
| Res. | Res. | Res. | Res. | Res. | Res. | Res. | Res. | PECEN | ALERT EN | SMBDEN | SMBHEN | GCEN | Res. | NOSTRETCH | SBC | |
| | | | | | | | | rw | rw | rw | rw | rw | | rw | rw | |
| 15 | 14 | 13 | 12 | 11 | 10 | 9 | 8 | 7 | 6 | 5 | 4 | 3 | 2 | 1 | 0 | |
| RXDMA EN | TXDMA EN | Res. | ANFOFF | DNF | | | | ERRIE | TCIE | STOP IE | NACK IE | ADDR IE | RXIE | TXIE | PE | |
| rw | rw | | rw | rw | | | | rw | rw | rw | rw | rw | rw | rw | rw | rw |

| | |
|------------|---|
| Bits 31:24 | Reserved, must be kept at reset value. |
| Bit 23 | <p>PECEN: PEC enable.</p> <p>0: PEC calculation disabled</p> <p>1: PEC calculation enabled</p> <p>Note: If the SMBus feature is not supported, this bit is reserved and forced by hardware to '0'. Refer to Section 21.3: I²C implementation.</p> |
| Bit 22 | <p>ALERTEN: SMBus alert enable.</p> <p>Device mode (SMBHEN=0):</p> <p>0: Releases SMBA pin high and alert response Address Header disabled: 0001100x followed by NACK</p> <p>1: Drives SMBA pin low and alert response address Header enables: 0001100x followed by ACK</p> <p>Host mode (SMBHEN=1):</p> <p>0: SMBus alert pin (SMBA) not supported</p> <p>1: SMBus Alert pin (SMBA) supported</p> <p>Note: When ALERTEN=0, the SMBA pin can be used as a standard GPIO.</p> <p>If the SMBus feature is not supported, this bit is reserved and forced by hardware to '0'. Refer to Section 21.3: I²C implementation.</p> |
| Bit 21 | <p>SMBDEN: SMBus Device Default address enable.</p> <p>0: Device default address disabled. Address 0b1100001x is NACKed.</p> <p>1: Device default address enabled. Address 0b1100001x is ACKed.</p> <p>Note: If the SMBus feature is not supported, this bit is reserved and forced by hardware to '0'. Refer to Section 21.3: I²C implementation.</p> |
| Bit 20 | <p>SMBHEN: SMBus Host address enable.</p> <p>0: Host address disabled. Address 0b0001000x is NACKed.</p> <p>1: Host address enabled. Address 0b0001000x is ACKed.</p> <p>Note: If the SMBus feature is not supported, this bit is reserved and forced by hardware to '0'. Refer to Section 21.3: I²C implementation.</p> |
| Bit 19 | <p>GCEN: General call enable.</p> <p>0: General call disabled. Address 0b00000000 is NACKed.</p> |

| | |
|-----------|--|
| | 1: General call enabled. Address 0b00000000 is ACKed. |
| Bit 18 | Reserved, must be kept at reset value. |
| Bit 17 | <p>NOSTRETCH: Clock stretching disable.</p> <p>This bit is used to disable clock stretching in slave mode. It must be kept cleared in master mode.</p> <p>0: Clock stretching enabled 1: Clock stretching disabled</p> <p>Note: This bit can only be programmed when the I²C is disabled (PE = 0).</p> |
| Bit 16 | <p>SBC: Slave byte control.</p> <p>This bit is used to enable hardware byte control in slave mode.</p> <p>0: Slave byte control disabled 1: Slave byte control enabled</p> |
| Bit 15 | <p>RXDMAEN: DMA reception requests enable</p> <p>0: DMA mode disabled for reception 1: DMA mode enabled for reception</p> |
| Bit 14 | <p>TXDMAEN: DMA transmission requests enable.</p> <p>0: DMA mode disabled for transmission 1: DMA mode enabled for transmission</p> |
| Bit 13 | Reserved, must be kept at reset value. |
| Bit 12 | <p>ANFOFF: Analog noise filter OFF.</p> <p>0: Analog noise filter enabled 1: Analog noise filter disabled</p> <p>Note: This bit can only be programmed when the I²C is disabled (PE = 0).</p> |
| Bits 11:8 | <p>DNF[3:0]: Digital noise filter.</p> <p>These bits are used to configure the digital noise filter on SDA and SCL input. The digital filter filters spikes with a length of up to DNF[3:0] * t_{12CLK}.</p> <p>0000: Digital filter disabled 0001: Digital filter enabled and filtering capability up to 1 t_{12CLK} ... 1111: Digital filter enabled and filtering capability up to 15 t_{12CLK}</p> <p>Note: If the analog filter is also enabled, the digital filter is added to the analog filter.</p> <p>This filter can only be programmed when the I²C is disabled (PE = 0).</p> |
| Bit 7 | <p>ERRIE: Error interrupts enable.</p> <p>0: Error detection interrupts disabled 1: Error detection interrupts enabled</p> <p>Note: Any of these errors generate an interrupt:</p> <p>Arbitration Loss (ARLO). Bus Error detection (BERR) Overrun/Underrun (OVR) Timeout detection (TIMEOUT) PEC error detection (PECERR) Alert pin event detection (ALERT)</p> |
| Bit 6 | <p>TCIE: Transfer complete interruptenable.</p> <p>0: Transfer complete interrupt disabled 1: Transfer complete interrupt enabled</p> <p>Note: Any of these events generate an interrupt:</p> |

| | |
|-------|--|
| | <p>0: transfer complete (TC) 1: transfer complete reload (TCR).</p> |
| Bit 5 | <p>STOPIE: STOP detection Interrupt enable. 0: Stop detection (STOPF) interrupt disabled 1: Stop detection (STOPF) interrupt enabled</p> |
| Bit 4 | <p>NACKIE: Not acknowledge received interrupt enable. 0: Not acknowledge (NACKF) received interrupts disabled 1: Not acknowledge (NACKF) received interrupts enabled</p> |
| Bit 3 | <p>ADDRIE: Address match interrupt enable (slave only). 0: Address match (ADDR) interrupts disabled 1: Address match (ADDR) interrupts enabled</p> |
| Bit 2 | <p>RXIE: RX Interrupt enable. 0: Receive (RXNE) interrupt disabled 1: Receive (RXNE) interrupt enabled</p> |
| Bit 1 | <p>TXIE: TX interrupt enable. 0: Transmit (TXIS) interrupt disabled 1: Transmit (TXIS) interrupt enabled</p> |
| Bit 0 | <p>PE: Peripheral enable. 0: Peripheral disable 1: Peripheral enable</p> <p>Note: When PE=0, the I²C SCL and SDA lines are released. Internal state machines and status bits are put back to their reset value. When cleared, PE must be kept low for at least 3 APB clock cycles.</p> |

21.6.2 Control register 2 (I2C_CR2)

Address offset: 0x04

Reset value: 0x0000 0000

Access: no wait states, except if a write access occurs while a write access to this register is on-going. In this case, wait states are inserted in the second write access until the previous one is completed. The latency of the second write access can be up to $2 \times PCLK1 + 6 \times I2CCLK$.

| | | | | | | | | | | | | | | | |
|------|------|-------|----------|-------|----------|-----------|---------|-------------|----|----|----|----|----|----|----|
| 31 | 30 | 29 | 28 | 27 | 26 | 25 | 24 | 23 | 22 | 21 | 20 | 19 | 18 | 17 | 16 |
| Res. | Res. | Res. | Res. | Res. | PEC BYTE | AUTO END | RE LOAD | NBYTES[7:0] | | | | | | | |
| | | | | | rs | rw | rw | rw | | | | | | | |
| 15 | 14 | 13 | 12 | 11 | 10 | 9 | 8 | 7 | 6 | 5 | 4 | 3 | 2 | 1 | 0 |
| NACK | STOP | START | HEAD 10R | ADD10 | RD_W RN | SADD[9:0] | | | | | | | | | |
| rs | rs | rs | rw | rw | rw | rw | | | | | | | | | |

| | |
|------------|---|
| Bits 31:27 | Reserved, must be kept at reset value. |
| Bit 26 | <p>PECBYTE: Packet error checking byte.</p> <p>This bit is set by software, and cleared by hardware when the PEC is transferred, or when a STOP condition or an Address matched is received, also when PE=0.</p> <p>0: No PEC transfer</p> <p>1: PEC transmission/reception is requested</p> <p>Note: Writing '0' to this bit has no effect.</p> <p>This bit has no effect when RELOAD is set.</p> <p>This bit has no effect is slave mode when SBC=0.</p> <p>If the SMBus feature is not supported, this bit is reserved and forced by hardware to '0'. Refer to Section 21.3: I²C implementation.</p> |
| Bit 25 | <p>AUTOEND: Automatic end mode (master mode). This bit is set and cleared by software.</p> <p>0: Software end mode: TC flag is set when NBYTES data are transferred, stretching SCL low.</p> <p>1: Automatic end mode: a STOP condition is automatically sent when NBYTES data are transferred.</p> <p>Note: This bit has no effect in slave mode or when the RELOAD bit is set.</p> |
| Bit 24 | <p>RELOAD: NBYTES reload mode.</p> <p>This bit is set and cleared by software.</p> <p>0: The transfer is completed after the NBYTES data transfer (STOP or RESTART follows)</p> <p>1: The transfer is not completed after the NBYTES data transfer (NBYTES is reloaded). TCR flag is set when NBYTES data are transferred, stretching SCL low.</p> |
| Bits 23:16 | <p>NBYTES[7:0]: Number of bytes.</p> <p>The number of bytes to be transmitted/received is programmed there. This field is don't care in slave mode with SBC=0.</p> <p>Note: Changing these bits when the START bit is set is not allowed.</p> |
| Bit 15 | <p>NACK: NACK generation (slave mode).</p> <p>The bit is set by software, cleared by hardware when the NACK is sent, or when a STOP condition or an Address matched is received, or when PE=0.</p> <p>0: An ACK is sent after current received byte.</p> <p>1: A NACK is sent after current received byte.</p> <p>Note: Writing '0' to this bit has no effect.</p> <p>This bit is used in slave mode only: in master receiver mode, NACK is automatically generated after last byte preceding STOP or RESTART condition, whatever the NACK bit value.</p> <p>When an overrun occurs in slave receiver NOSTRETCH mode, a NACK is automatically generated whatever the NACK bit value.</p> |

| | |
|----------|--|
| | <p>When hardware PEC checking is enabled (PECBYTE=1), the PEC acknowledge value does not depend on the NACK value.</p> |
| Bit 14 | <p>STOP: Stop generation (master mode). The bit is set by software, cleared by hardware when a Stop condition is detected, or when PE=0.</p> <p>In Master Mode: 0: No stop generation 1: Stop generation after current byte transfer</p> <p>Note: Writing '0' to this bit has no effect.</p> |
| Bit 13 | <p>START: Start generation. This bit is set by software, and cleared by hardware after the Start followed by the address sequence is sent, by an arbitration loss, by a timeout error detection, or when PE = 0. It can also be cleared by software by writing '1' to the ADDRCF bit in the I2C_ICR register.</p> <p>0: No start generation 1: Restart/start generation:</p> <ul style="list-style-type: none"> • If the I²C is already in master mode with AUTOEND = 0, setting this bit generates a Repeated Start condition when RELOAD = 0, after the end of the NBYTES transfer. • Otherwise, setting this bit generates a START condition once the bus is free. <p>Note: Writing '0' to this bit has no effect.</p> <p>The START bit can be set even if the bus is BUSY or I²C is in slave mode. This bit has no effect when RELOAD is set.</p> |
| Bit 12 | <p>HEAD10R: 10-bit address header only read direction (master receiver mode). 0: The master sends the complete 10 bit slave address read sequence: start + 2 bytes 10-bit address in write direction + restart + 1st 7 bits of the 10-bit address in read direction 1: The master only sends the 1st 7 bits of the 10-bit address, followed by Read direction</p> <p>Note: Changing this bit when the START bit is set is not allowed.</p> |
| Bit 11 | <p>ADD10: 10-bit addressing mode (master mode). 0: The master operates in 7-bit addressing mode 1: The master operates in 10-bit addressing mode</p> <p>Note: Changing this bit when the START bit is set is not allowed.</p> |
| Bit 10 | <p>RD_WRN: Transfer direction (master mode). 0: Master requests a write transfer 1: Master requests a read transfer</p> <p>Note: Changing this bit when the START bit is set is not allowed.</p> |
| Bits 9:8 | <p>SADD[9:8]: Slave address bit 9:8 (master mode). In 7-bit addressing mode (ADD10 = 0): These bits are don't care In 10-bit addressing mode (ADD10 = 1): These bits should be written with bits 9:8 of the slave address to be sent</p> <p>Note: Changing these bits when the START bit is set is not allowed.</p> |
| Bits 7:1 | <p>SADD[7:1]: Slave address bit 7:1 (master mode). In 7-bit addressing mode (ADD10 = 0): These bits should be written with the 7-bit slave address to be sent In 10-bit addressing mode (ADD10 = 1): These bits should be written with bits 7:1 of the slave address to be sent</p> <p>Note: Changing these bits when the START bit is set is not allowed.</p> |
| Bit 0 | <p>SADD0: Slave address bit 0 (master mode). In 7-bit addressing mode (ADD10 = 0): This bit is don't care In 10-bit addressing mode (ADD10 = 1): This bit should be written with bit 0 of the slave address to be sent</p> |

| | |
|--|---|
| | Note: Changing these bits when the START bit is set is not allowed. |
|--|---|

21.6.3 Own address 1 register (I2C_OAR1)

Address offset: 0x08

Reset value: 0x0000 0000

Access: no wait states, except if a write access occurs while a write access to this register is on-going. In this case, wait states are inserted in the second write access until the previous one is completed. The latency of the second write access can be up to $2 \times \text{PCLK1} + 6 \times \text{I2CCCLK}$.

| | | | | | | | | | | | | | | | |
|-------|------|------|------|------|----------|----------|------|----------|------|------|------|------|------|------|--------|
| 31 | 30 | 29 | 28 | 27 | 26 | 25 | 24 | 23 | 22 | 21 | 20 | 19 | 18 | 17 | 16 |
| Res. | Res. | Res. | Res. | Res. | Res. | Res. | Res. | Res. | Res. | Res. | Res. | Res. | Res. | Res. | Res. |
| 15 | 14 | 13 | 12 | 11 | 10 | 9 | 8 | 7 | 6 | 5 | 4 | 3 | 2 | 1 | 0 |
| OA1EN | Res. | Res. | Res. | Res. | OA1 MODE | OA1[9:8] | | OA1[7:1] | | | | | | | OA1[0] |
| rw | | | | | rw | rw | | rw | | | | | | | rw |

| | |
|------------|--|
| Bits 31:16 | Reserved, must be kept at reset value. |
| Bit 15 | OA1EN : Own address 1 enable. 0: Own address 1 disabled. The received slave address OA1 is NACKed. 1: Own address 1 enabled. The received slave address OA1 is ACKed. |
| Bits 14:11 | Reserved, must be kept at reset value. |
| Bit 10 | OA1MODE Own address 1 10-bit mode. 0: Own address 1 is a 7-bit address 1: Own address 1 is a 10-bit address Note: This bit can be written only when OA1EN=0. |
| Bits 9:8 | OA1[9:8] : Interface address. 7-bit addressing mode: do not care 10-bit addressing mode: bits 9:8 of address Note: These bits can be written only when OA1EN=0. |
| Bits 7:1 | OA1[7:1] : Interface address bits 7:1 of address. Note: These bits can be written only when OA1EN=0. |
| Bit 0 | OA1[0] : Interface address. 7-bit addressing mode: do not care 10-bit addressing mode: bit 0 of address Note: This bit can be written only when OA1EN=0. |

21.6.4 Own address 2 register (I2C_OAR2)

Address offset: 0x0C

Reset value: 0x0000 0000

Access: no wait states, except if a write access occurs while a write access to this register is on-going. In this case, wait states are inserted in the second write access until the previous one is completed. The latency of the second write access can be up to $2 \times PCLK1 + 6 \times I2CCLK$.

| | | | | | | | | | | | | | | | |
|-------|------|------|------|------|-------------|------|------|----------|------|------|------|------|------|------|------|
| 31 | 30 | 29 | 28 | 27 | 26 | 25 | 24 | 23 | 22 | 21 | 20 | 19 | 18 | 17 | 16 |
| Res. | Res. | Res. | Res. | Res. | Res. | Res. | Res. | Res. | Res. | Res. | Res. | Res. | Res. | Res. | Res. |
| 15 | 14 | 13 | 12 | 11 | 10 | 9 | 8 | 7 | 6 | 5 | 4 | 3 | 2 | 1 | 0 |
| OA2EN | Res. | Res. | Res. | Res. | OA2MSK[2:0] | | | OA2[7:1] | | | | | | Res. | |
| rw | | | | | rw | | | rw | | | | | | | |

| | |
|------------|--|
| Bits 31:16 | Reserved, must be kept at reset value. |
| Bit 15 | <p>OA2EN: Own address 2 enable.</p> <p>0: Own address 2 disabled. The received slave address OA2 is NACKed.</p> <p>1: Own address 2 enabled. The received slave address OA2 is ACKed.</p> |
| Bits 14:11 | Reserved, must be kept at reset value. |
| Bits 10:8 | <p>OA2MSK[2:0]: Own Address 2 masks.</p> <p>000: No mask</p> <p>001: OA2[1] is masked and don't care. Only OA2[7:2] are compared.</p> <p>010: OA2[2:1] are masked and don't care. Only OA2[7:3] are compared.</p> <p>011: OA2[3:1] are masked and don't care. Only OA2[7:4] are compared.</p> <p>100: OA2[4:1] are masked and do not care. Only OA2[7:5] are compared.</p> <p>101: OA2[5:1] are masked and do not care. Only OA2[7:6] are compared.</p> <p>110: OA2[6:1] are masked and do not care. Only OA2[7] is compared.</p> <p>111: OA2[7:1] are masked and do not care. No comparison is done, and all (except reserved) 7-bit received addresses are acknowledged.</p> <p>Note: These bits can be written only when OA2EN=0.</p> <p>As soon as OA2MSK is not equal to 0, the reserved I²C addresses (0b0000xxx and 0b1111xxx) are not acknowledged even if the comparison matches.</p> |
| Bits 7:1 | <p>OA2[7:1]: Interface address bits 7:1 of address.</p> <p>Note: These bits can be written only when OA2EN=0.</p> |
| Bit 0 | Reserved, must be kept at reset value. |

21.6.5 Timing register (I2C_TIMINGR)

Address offset: 0x10

Reset value: 0x0000 0000

Access: no wait states

| | | | | | | | | | | | | | | | |
|------------|----|----|----|------|------|------|------|-------------|----|----|----|-------------|----|----|----|
| 31 | 30 | 29 | 28 | 27 | 26 | 25 | 24 | 23 | 22 | 21 | 20 | 19 | 18 | 17 | 16 |
| PRESC[3:0] | | | | Res. | Res. | Res. | Res. | SCLDEL[3:0] | | | | SDADEL[3:0] | | | |
| rw | | | | | | | | rw | | | | rw | | | |
| 15 | 14 | 13 | 12 | 11 | 10 | 9 | 8 | 7 | 6 | 5 | 4 | 3 | 2 | 1 | 0 |
| SCLH[7:0] | | | | | | | | SCLL[7:0] | | | | | | | |
| rw | | | | | | | | rw | | | | | | | |

| | |
|------------|--|
| Bits 31:28 | <p>PRESC[3:0]: Timing prescaler.</p> <p>This field is used to prescale I2CCLK in order to generate the clock period t_{PRESC} used for data setup and hold counters and for SCL high and low level counters.</p> <p>$t_{PRESC} = (PRESC+1) \times t_{I2CCLK}$</p> |
| Bits 27:24 | Reserved, must be kept at reset value. |
| Bits 23:20 | <p>SCLDEL[3:0]: Data setup time.</p> <p>This field is used to generate a delay t_{SCLDEL} between SDA edge and SCL rising edge in transmission mode.</p> <p>$t_{SCLDEL} = (SCLDEL+1) \times t_{PRESC}$</p> <p>Note: t_{SCLDEL} is used to generate $t_{SU:DAT}$ timing.</p> |
| Bits 19:16 | <p>SDADEL[3:0]: Data hold time.</p> <p>This field is used to generate the delay t_{SDADEL} between SCL falling edge SDA edge in transmission mode.</p> <p>$t_{SDADEL} = SDADEL \times t_{PRESC}$</p> <p>Note: SDADEL is used to generate $t_{HD:DAT}$ timing.</p> |
| Bits 15:8 | <p>SCLH[7:0]: SCL high period (master mode).</p> <p>This field is used to generate the SCL high period in master mode. $t_{SCLH} = (SCLH+1) \times t_{PRESC}$.</p> <p>Note: SCLH is also used to generate $t_{SU:STO}$ and $t_{HD:STA}$ timing.</p> |
| Bits 7:0 | <p>SCLL[7:0]: SCL low period (master mode).</p> <p>This field is used to generate the SCL low period in master mode. $t_{SCLL} = (SCLL+1) \times t_{PRESC}$.</p> <p>Note: SCLL is also used to generate t_{BUF} and $t_{SU:STA}$ timings.</p> |

Note: This register must be configured when the I²C is disabled (PE = 0).

21.6.6 Timeout register (I2C_TIMEOUTR)

Address offset: 0x14

Reset value: 0x0000 0000

Access: no wait states, except if a write access occurs while a write access to this register is on-going. In this case, wait states are inserted in the second write access until the previous one is completed. The latency of the second write access can be up to $2 \times \text{PCLK1} + 6 \times \text{I2CCCLK}$.

| | | | | | | | | | | | | | | | |
|----------|------|------|-------|-----------------|----|----|----|----|----|----|----|----|----|----|----|
| 31 | 30 | 29 | 28 | 27 | 26 | 25 | 24 | 23 | 22 | 21 | 20 | 19 | 18 | 17 | 16 |
| TEXTEN | Res. | Res. | Res. | TIMEOUTB [11:0] | | | | | | | | | | | |
| rw | | | | rw | | | | | | | | | | | |
| 15 | 14 | 13 | 12 | 11 | 10 | 9 | 8 | 7 | 6 | 5 | 4 | 3 | 2 | 1 | 0 |
| TIMOUTEN | Res. | Res. | TIDLE | TIMEOUTA [11:0] | | | | | | | | | | | |
| rw | | | rw | rw | | | | | | | | | | | |

| | |
|------------|--|
| Bit 31 | <p>TEXTEN: Extended clock timeout enable.</p> <p>0: Extended clock timeout detection is disabled</p> <p>1: Extended clock timeout detection is enabled. When a cumulative SCL stretch for more than $t_{\text{LOW:EXT}}$ is done by the I²C interface, a timeout error is detected (TIMEOUT=1).</p> |
| Bits 30:28 | Reserved, must be kept at reset value. |
| Bits 27:16 | <p>TIMEOUTB[11:0]: Bus timeout B.</p> <p>This field is used to configure the cumulative clock extension timeout:</p> <p>In master mode, the master cumulative clock low extend time ($t_{\text{LOW:MEXT}}$) is detected in slave mode, the slave cumulative clock low extend time ($t_{\text{LOW:SEXT}}$) is detected $t_{\text{LOW:EXT}} = (\text{TIMEOUTB} + 1) \times 2048 \times t_{\text{I2CCCLK}}$.</p> <p>Note: These bits can be written only when TEXTEN=0.</p> |
| Bit 15 | <p>TIMOUTEN: Clock timeout enable.</p> <p>0: SCL timeout detection is disabled</p> <p>1: SCL timeout detection is enabled: when SCL is low for more than t_{TIMEOUT} (TIDLE=0) or high for more than t_{IDLE} (TIDLE=1), a timeout error is detected (TIMEOUT=1)</p> |
| Bits 14:13 | Reserved, must be kept at reset value. |
| Bit 12 | <p>TIDLE: Idle clock timeout detection.</p> <p>0: TIMEOUTA is used to detect SCL low timeout</p> <p>1: TIMEOUTA is used to detect both SCL and SDA high timeout (bus idle condition)</p> <p>Note: This bit can be written only when TIMOUTEN=0.</p> |
| Bits 11:0 | <p>TIMEOUTA[11:0]: Bus timeout A. This field is used to configure:</p> <ul style="list-style-type: none"> The SCL low timeout condition t_{TIMEOUT} when TIDLE=0 $t_{\text{TIMEOUT}} = (\text{TIMEOUTA} + 1) \times 2048 \times t_{\text{I2CCCLK}}$ The bus idle condition (both SCL and SDA high) when TIDLE=1 $t_{\text{IDLE}} = (\text{TIMEOUTA} + 1) \times 4 \times t_{\text{I2CCCLK}}$ <p>Note: These bits can be written only when TIMOUTEN=0.</p> |

Note: *If the SMBus feature is not supported, this register is reserved and forced by hardware to "0x00000000". Refer to Section 21.3: I²C implementation.*

21.6.7 Interrupt and status register (I2C_ISR)

Address offset: 0x18

Reset value: 0x0000 0001

Access: no wait states

| | | | | | | | | | | | | | | | |
|------|------|-------|----------|---------|------|------|------|--------------|----|-------|-------|------|------|------|-----|
| 31 | 30 | 29 | 28 | 27 | 26 | 25 | 24 | 23 | 22 | 21 | 20 | 19 | 18 | 17 | 16 |
| Res. | Res. | Res. | Res. | Res. | Res. | Res. | Res. | ADDCODE[6:0] | | | | | | | DIR |
| | | | | | | | | r | | | | | | | r |
| 15 | 14 | 13 | 12 | 11 | 10 | 9 | 8 | 7 | 6 | 5 | 4 | 3 | 2 | 1 | 0 |
| BUSY | Res. | ALERT | TIME OUT | PEC ERR | OVR | ARLO | BERR | TCR | TC | STOPF | NACKF | ADDR | RXNE | TXIS | TXE |
| r | | r | r | r | r | r | r | r | r | r | r | r | r | rs | rs |

| | |
|------------|---|
| Bits 31:24 | Reserved, must be kept at reset value. |
| Bits 23:17 | <p>ADDCODE[6:0]: Address match code (slave mode).</p> <p>These bits are updated with the received address when an address match event occurs (ADDR = 1). In the case of a 10-bit address, ADDCODE provides the 10-bit header followed by the 2 MSBs of the address.</p> |
| Bit 16 | <p>DIR: Transfer direction (slave mode).</p> <p>This flag is updated when an address match event occurs (ADDR=1).</p> <p>0: Write transfer, slave enters receiver mode 1: Read transfer, slave enters transmitter mode</p> |
| Bit 15 | <p>BUSY: Bus busy.</p> <p>This flag indicates that a communication is in progress on the bus. It is set by hardware when a START condition is detected. It is cleared by hardware when a stop condition is detected, or when PE=0.</p> |
| Bit 14 | Reserved, must be kept at reset value. |
| Bit 13 | <p>ALERT: SMBus alert.</p> <p>This flag is set by hardware when SMBHEN=1 (SMBus host configuration), ALERTEN=1 and an SMBALERT event (falling edge) is detected on SMBA pin. It is cleared by software by setting the ALERTCF bit.</p> <p>Note: This bit is cleared by hardware when PE=0.</p> <p>If the SMBus feature is not supported, this bit is reserved and forced by hardware to '0'. Refer to Section 21.3: I²C implementation.</p> |
| Bit 12 | <p>TIMEOUT: Timeout or t_{LOW} detection flag.</p> <p>This flag is set by hardware when a timeout or extended clock timeout occurred. It is cleared by software by setting the TIMEOUTCF bit.</p> <p>Note: This bit is cleared by hardware when PE=0.</p> <p>If the SMBus feature is not supported, this bit is reserved and forced by hardware to '0'. Refer to Section 21.3: I²C implementation.</p> |
| Bit 11 | <p>PECERR: PEC error in reception.</p> <p>This flag is set by hardware when the received PEC does not match with the PEC register content. A NACK is automatically sent after the wrong PEC reception. It is cleared by software by setting the PECCF bit.</p> <p>Note: This bit is cleared by hardware when PE=0.</p> <p>If the SMBus feature is not supported, this bit is reserved and forced by hardware to '0'. Refer to Section 21.3: I²C implementation.</p> |
| Bit 10 | <p>OVR: Overrun/underrun (slave mode).</p> <p>This flag is set by hardware in slave mode with NOSTRETCH=1, when an overrun/underrun error occurs. It is cleared by software by setting the OVRCF bit.</p> <p>Note: This bit is cleared by hardware when PE=0.</p> |

| | |
|-------|---|
| Bit 9 | <p>ARLO: Arbitration loss.</p> <p>This flag is set by hardware in case of arbitration loss. It is cleared by software by setting the ARLOCF bit.</p> <p>Note: This bit is cleared by hardware when PE=0.</p> |
| Bit 8 | <p>BERR: Bus error.</p> <p>This flag is set by hardware when a misplaced Start or Stop condition is detected whereas the peripheral is involved in the transfer. The flag is not set during the address phase in slave mode. It is cleared by software by setting BERRCF bit.</p> <p>Note: This bit is cleared by hardware when PE=0.</p> |
| Bit 7 | <p>TCR: Transfer complete reload.</p> <p>This flag is set by hardware when RELOAD=1 and NBYTES data have been transferred. It is cleared by software when NBYTES is written to a non-zero value.</p> <p>Note: This bit is cleared by hardware when PE=0.</p> <p>This flag is only for master mode, or for slave mode when the SBC bit is set.</p> |
| Bit 6 | <p>TC: Transfer complete (master mode).</p> <p>This flag is set by hardware when RELOAD=0, AUTOEND=0 and NBYTES data have been transferred. It is cleared by software when START bit or STOP bit is set.</p> <p>Note: This bit is cleared by hardware when PE=0.</p> |
| Bit 5 | <p>STOPF: Stop detection flag.</p> <p>This flag is set by hardware when a stop condition is detected on the bus and the peripheral is involved in this transfer:</p> <ul style="list-style-type: none"> • either as a master, provided that the STOP condition is generated by the peripheral. • or as a slave, provided that the peripheral has been addressed previously during this transfer. <p>It is cleared by software by setting the STOPCF bit.</p> <p>Note: This bit is cleared by hardware when PE=0.</p> |
| Bit 4 | <p>NACKF: Not acknowledge received flag.</p> <p>This flag is set by hardware when a NACK is received after a byte transmission. It is cleared by software by setting the NACKCF bit.</p> <p>Note: This bit is cleared by hardware when PE=0.</p> |
| Bit 3 | <p>ADDR: Address matched (slave mode).</p> <p>This bit is set by hardware as soon as the received slave address matched with one of the enabled slave addresses. It is cleared by software by setting ADDRCONF bit.</p> <p>Note: This bit is cleared by hardware when PE=0.</p> |
| Bit 2 | <p>RXNE: Receive data register not empty (receivers).</p> <p>This bit is set by hardware when the received data is copied into the I2C_RXDR register, and is ready to be read. It is cleared when I2C_RXDR is read.</p> <p>Note: This bit is cleared by hardware when PE=0.</p> |
| Bit 1 | <p>TXIS: Transmit interrupt status (transmitters).</p> <p>This bit is set by hardware when the I2C_TXDR register is empty and the data to be transmitted must be written in the I2C_TXDR register. It is cleared when the next data to be sent is written in the I2C_TXDR register.</p> <p>This bit can be written to '1' by software when NOSTRETCH=1 only, in order to generate a TXIS event (interrupt if TXIE=1 or DMA request if TXDMAEN=1).</p> <p>Note: This bit is cleared by hardware when PE=0.</p> |
| Bit 0 | <p>TXE: Transmit data register empty (transmitters).</p> <p>This bit is set by hardware when the I2C_TXDR register is empty. It is cleared when the next data to be sent is written in the I2C_TXDR register.</p> <p>This bit can be written to '1' by software in order to flush the transmit data register I2C_TXDR.</p> <p>Note: This bit is set by hardware when PE=0.</p> |

21.6.8 Interrupt clear register (I2C_ICR)

Address offset: 0x1C
 Reset value: 0x0000 0000
 Access: no wait states

| | | | | | | | | | | | | | | | |
|------|------|-------------|--------------|-------|-------|------------|------------|------|------|------------|------------|------------|------|------|------|
| 31 | 30 | 29 | 28 | 27 | 26 | 25 | 24 | 23 | 22 | 21 | 20 | 19 | 18 | 17 | 16 |
| Res. | Res. | Res. | Res. | Res. | Res. | Res. | Res. | Res. | Res. | Res. | Res. | Res. | Res. | Res. | Res. |
| 15 | 14 | 13 | 12 | 11 | 10 | 9 | 8 | 7 | 6 | 5 | 4 | 3 | 2 | 1 | 0 |
| Res. | Res. | ALERT CF | TIM OUTCF | PECCF | OVRCF | ARLO CF | BERR CF | Res. | Res. | STOP CF | NACK CF | ADDR CF | Res. | Res. | Res. |
| | | w | w | w | w | w | w | | | w | w | w | | | |

| | |
|------------|--|
| Bits 31:14 | Reserved, must be kept at reset value. |
| Bit 13 | <p>ALERTCF: Alert flag clear. Writing 1 to this bit clears the ALERT flag in the I2C_ISR register. Note: If the SMBus feature is not supported, this bit is reserved and forced by hardware to '0'. Refer to Section 21.3: I²C implementation.</p> |
| Bit 12 | <p>TIMOUTCF: Timeout detection flag clear. Writing 1 to this bit clears the TIMEOUT flag in the I2C_ISR register. Note: If the SMBus feature is not supported, this bit is reserved and forced by hardware to '0'. Refer to Section 21.3: I²C implementation.</p> |
| Bit 11 | <p>PECCF: PEC Error flag clear. Writing 1 to this bit clears the PECERR flag in the I2C_ISR register. Note: If the SMBus feature is not supported, this bit is reserved and forced by hardware to '0'. Refer to Section 21.3: I²C implementation.</p> |
| Bit 10 | <p>OVRCF: Overrun/underrun flag clear. Writing 1 to this bit clears the OVR flag in the I2C_ISR register.</p> |
| Bit 9 | <p>ARLOCF: Arbitration loss flag clear. Writing 1 to this bit clears the ARLO flag in the I2C_ISR register.</p> |
| Bit 8 | <p>BERRCF: Bus error flag clear. Writing 1 to this bit clears the BERRF flag in the I2C_ISR register.</p> |
| Bits 7:6 | Reserved, must be kept at reset value. |
| Bit 5 | <p>STOPCF: Stop detection flag clear. Writing 1 to this bit clears the STOPF flag in the I2C_ISR register.</p> |
| Bit 4 | <p>NACKCF: Not acknowledge flag clear. Writing 1 to this bit clears the ACKF flag in I2C_ISR register.</p> |
| Bit 3 | <p>ADDRCF: Address matched flag clear. Writing 1 to this bit clears the ADDR flag in the I2C_ISR register. Writing 1 to this bit also clears the START bit in the I2C_CR2 register.</p> |
| Bits 2:0 | Reserved, must be kept at reset value. |

21.6.9 PEC register (I2C_PECR)

Address offset: 0x20

Reset value: 0x0000 0000

Access: no wait states

| | | | | | | | | | | | | | | | |
|------|------|------|------|------|------|------|------|----------|------|------|------|------|------|------|------|
| 31 | 30 | 29 | 28 | 27 | 26 | 25 | 24 | 23 | 22 | 21 | 20 | 19 | 18 | 17 | 16 |
| Res. | Res. | Res. | Res. | Res. | Res. | Res. | Res. | Res. | Res. | Res. | Res. | Res. | Res. | Res. | Res. |
| 15 | 14 | 13 | 12 | 11 | 10 | 9 | 8 | 7 | 6 | 5 | 4 | 3 | 2 | 1 | 0 |
| Res. | Res. | Res. | Res. | Res. | Res. | Res. | Res. | PEC[7:0] | | | | | | | |
| | | | | | | | | r | | | | | | | |

| | |
|-----------|---|
| Bits 31:8 | Reserved, must be kept at reset value. |
| Bits 7:0 | PEC[7:0] Packet error checking register. This field contains the internal PEC when PECEN=1. The PEC is cleared by hardware when PE=0. |

Note: If the SMBus feature is not supported, this register is reserved and forced by hardware to “0x00000000”. Refer to [Section 21.3: I²C implementation](#).

21.6.10 Receive data register (I2C_RXDR)

Address offset: 0x24

Reset value: 0x0000 0000

Access: no wait states

| | | | | | | | | | | | | | | | |
|------|------|------|------|------|------|------|------|-------------|------|------|------|------|------|------|------|
| 31 | 30 | 29 | 28 | 27 | 26 | 25 | 24 | 23 | 22 | 21 | 20 | 19 | 18 | 17 | 16 |
| Res. | Res. | Res. | Res. | Res. | Res. | Res. | Res. | Res. | Res. | Res. | Res. | Res. | Res. | Res. | Res. |
| 15 | 14 | 13 | 12 | 11 | 10 | 9 | 8 | 7 | 6 | 5 | 4 | 3 | 2 | 1 | 0 |
| Res. | Res. | Res. | Res. | Res. | Res. | Res. | Res. | RXDATA[7:0] | | | | | | | |
| | | | | | | | | r | | | | | | | |

| | |
|-----------|---|
| Bits 31:8 | Reserved, must be kept at reset value. |
| Bits 7:0 | RXDATA[7:0] 8-bit receive data. Data byte received from the I ² C bus. |

21.6.11 Transmit data register (I2C_TXDR)

Address offset: 0x28

Reset value: 0x0000 0000

Access: no wait states

| | | | | | | | | | | | | | | | |
|------|------|------|------|------|------|------|------|-------------|------|------|------|------|------|------|------|
| 31 | 30 | 29 | 28 | 27 | 26 | 25 | 24 | 23 | 22 | 21 | 20 | 19 | 18 | 17 | 16 |
| Res. | Res. | Res. | Res. | Res. | Res. | Res. | Res. | Res. | Res. | Res. | Res. | Res. | Res. | Res. | Res. |
| 15 | 14 | 13 | 12 | 11 | 10 | 9 | 8 | 7 | 6 | 5 | 4 | 3 | 2 | 1 | 0 |
| Res. | Res. | Res. | Res. | Res. | Res. | Res. | Res. | TXDATA[7:0] | | | | | | | |
| | | | | | | | | rw | | | | | | | |

| | |
|-----------|---|
| Bits 31:8 | Reserved, must be kept at reset value. |
| Bits 7:0 | TXDATA[7:0] 8-bit transmit data. Data byte to be transmitted to the I ² C bus. Note: These bits can be written only when TXE=1. |

21.6.12 I2C register map

The table below provides the I²C register map and reset values.

Table 96. I²C register map

| Offset | Register | 31 | 30 | 29 | 28 | 27 | 26 | 25 | 24 | 23 | 22 | 21 | 20 | 19 | 18 | 17 | 16 | 15 | 14 | 13 | 12 | 11 | 10 | 9 | 8 | 7 | 6 | 5 | 4 | 3 | 2 | 1 | 0 | | |
|--------|-------------|------------|------|------|------|------|---------|---------|-------------|-------------|---------|--------|-------------|------|------|-----------|------------|---------|---------|---------|-----------|--------|-----------|--------------|---|---|----------|-------|------|--------|--------|--------|------|------|----|
| 0x0 | I2C_CR1 | Res. | Res. | Res. | Res. | Res. | Res. | Res. | Res. | PECEN | ALERTEN | SMBDEN | SMBHEN | GCEN | Res. | NOSTRETCH | SBC | RXDMAEN | TXDMAEN | Res. | ANFOFF | | | DNF[3:0] | | | | ERRIE | TCIE | STOPIE | NACKIE | ADDRIE | RXIE | TXIE | PE |
| | Reset value | | | | | | | | | 0 | 0 | 0 | 0 | 0 | | 0 | 0 | 0 | 0 | | 0 | 0 | 0 | 0 | 0 | 0 | 0 | 0 | 0 | 0 | 0 | 0 | 0 | 0 | |
| 0x4 | I2C_CR2 | Res. | Res. | Res. | Res. | Res. | PECBYTE | AUTOEND | RELOAD | NBYTES[7:0] | | | | | | | NACK | STOP | START | HEAD10R | ADD10 | RD_WRN | SADD[9:0] | | | | | | | | | | | | |
| | Reset value | | | | | | 0 | 0 | 0 | 0 | 0 | 0 | 0 | 0 | 0 | 0 | 0 | 0 | 0 | 0 | 0 | 0 | 0 | 0 | 0 | 0 | 0 | 0 | 0 | 0 | 0 | 0 | 0 | 0 | |
| 0x8 | I2C_OAR1 | Res. | Res. | Res. | Res. | Res. | Res. | Res. | Res. | Res. | Res. | Res. | Res. | Res. | Res. | Res. | Res. | OA1EN | Res. | Res. | Res. | Res. | Res. | OA1MODE | | | OA1[9:0] | | | | | | | | |
| | Reset value | | | | | | | | | | | | | | | | | 0 | | | | | | 0 | 0 | 0 | 0 | 0 | 0 | 0 | 0 | 0 | 0 | 0 | |
| 0xC | I2C_OAR2 | Res. | Res. | Res. | Res. | Res. | Res. | Res. | Res. | Res. | Res. | Res. | Res. | Res. | Res. | Res. | Res. | OA2EN | Res. | Res. | Res. | Res. | Res. | OA2MS K[2:0] | | | OA2[7:1] | | | | | | | Res. | |
| | Reset value | | | | | | | | | | | | | | | | | 0 | | | | | | 0 | 0 | 0 | 0 | 0 | 0 | 0 | 0 | 0 | 0 | 0 | |
| 0x10 | I2C_TIMINGR | PRESC[3:0] | | | Res. | Res. | Res. | Res. | SCLDEL[3:0] | | | | SDADEL[3:0] | | | | SCLLH[7:0] | | | | SCLL[7:0] | | | | | | | | | | | | | | |
| | Reset value | 0 | 0 | 0 | 0 | | | | | | 0 | 0 | 0 | 0 | 0 | 0 | 0 | 0 | 0 | 0 | 0 | 0 | 0 | 0 | 0 | 0 | 0 | 0 | 0 | 0 | 0 | 0 | 0 | 0 | |

| Offset | Register | 31 | 30 | 29 | 28 | 27 | 26 | 25 | 24 | 23 | 22 | 21 | 20 | 19 | 18 | 17 | 16 | 15 | 14 | 13 | 12 | 11 | 10 | 9 | 8 | 7 | 6 | 5 | 4 | 3 | 2 | 1 | 0 |
|--------|--------------|--------|------|------|------|------|----------------|------|------|--------------|------|------|------|------|------|------|------|----------|-------|---------|----------------|-------|-------|--------|--------|----------|-------------|--------|--------|--------|------|------|------|
| 0x14 | I2C_TIMEOUTR | TEXTEN | Res. | Res. | Res. | Res. | TIMEOUTB[11:0] | | | | | | | | | | | TIMOUTEN | Res. | TIDLE | TIMEOUTA[11:0] | | | | | | | | | | | | |
| | Reset value | 0 | | | | 0 | 0 | 0 | 0 | 0 | 0 | 0 | 0 | 0 | 0 | 0 | 0 | 0 | 0 | | | 0 | 0 | 0 | 0 | 0 | 0 | 0 | 0 | 0 | 0 | 0 | 0 |
| 0x18 | I2C_ISR | Res. | Res. | Res. | Res. | Res. | Res. | Res. | Res. | ADDRESS[6:0] | | | | | | DIR | BUSY | Res. | ALERT | TIMEOUT | PECERR | OVR | ARLO | BERR | TCR | TC | STOPF | NACKF | ADDR | RXNE | TXIS | TXE | |
| | Reset value | | | | | | | | | 0 | 0 | 0 | 0 | 0 | 0 | 0 | 0 | 0 | | 0 | 0 | 0 | 0 | 0 | 0 | 0 | 0 | 0 | 0 | 0 | 0 | 0 | 1 |
| 0x1C | I2C_ICR | Res. | Res. | Res. | Res. | Res. | Res. | Res. | Res. | Res. | Res. | Res. | Res. | Res. | Res. | Res. | Res. | Res. | Res. | ALERTCF | TIMEOUTCF | PECCF | OVRCF | ARLOCF | BERRCF | Res. | Res. | STOPCF | NACKCF | ADDRCF | Res. | Res. | Res. |
| | Reset value | | | | | | | | | | | | | | | | | | | 0 | 0 | 0 | 0 | 0 | 0 | | | 0 | 0 | 0 | | | |
| 0x20 | I2C_PECR | Res. | Res. | Res. | Res. | Res. | Res. | Res. | Res. | Res. | Res. | Res. | Res. | Res. | Res. | Res. | Res. | Res. | Res. | Res. | Res. | Res. | Res. | Res. | Res. | PEC[7:0] | | | | | | | |
| | Reset value | | | | | | | | | | | | | | | | | | | | | | | | | 0 | 0 | 0 | 0 | 0 | 0 | 0 | 0 |
| 0x24 | I2C_RXDR | Res. | Res. | Res. | Res. | Res. | Res. | Res. | Res. | Res. | Res. | Res. | Res. | Res. | Res. | Res. | Res. | Res. | Res. | Res. | Res. | Res. | Res. | Res. | Res. | Res. | RXDATA[7:0] | | | | | | |
| | Reset value | | | | | | | | | | | | | | | | | | | | | | | | | 0 | 0 | 0 | 0 | 0 | 0 | 0 | 0 |

| Offset | Register | 31 | 30 | 29 | 28 | 27 | 26 | 25 | 24 | 23 | 22 | 21 | 20 | 19 | 18 | 17 | 16 | 15 | 14 | 13 | 12 | 11 | 10 | 9 | 8 | 7 | 6 | 5 | 4 | 3 | 2 | 1 | 0 |
|--------|-------------|------|------|------|------|------|------|------|------|------|------|------|------|------|------|------|------|------|------|------|------|------|------|------|-------------|---|---|---|---|---|---|---|---|
| 0x28 | I2C_TXDR | Res. | Res. | Res. | Res. | Res. | Res. | Res. | Res. | Res. | Res. | Res. | Res. | Res. | Res. | Res. | Res. | Res. | Res. | Res. | Res. | Res. | Res. | Res. | TXDATA[7:0] | | | | | | | | |
| | Reset value | | | | | | | | | | | | | | | | | | | | | | | | | 0 | 0 | 0 | 0 | 0 | 0 | 0 | 0 |

Refer to [Section 2.2.2: Memory map and register boundary addresses](#) for the register boundary addresses.



22 Universal synchronous asynchronous receiver transmitter (USART)

22.1 USART introduction

The universal synchronous asynchronous receiver transmitter (USART) offers a flexible means of full-duplex data exchange with external equipment requiring an industry standard NRZ asynchronous serial data format. The USART offers a very wide range of baud rates using a fractional baud rate generator.

It supports synchronous one-way communication and half-duplex single-wire communication. It also supports the LIN (local interconnection network), smartcard protocol and IrDA (infrared data association) SIR ENDEC specifications, and modem operations (CTS/RTS). It also supports multiprocessor communications.

High speed data communication is possible by using the DMA (direct memory access) for multi-buffer configuration.

22.2 USART main features

- Full-duplex asynchronous communication
- NRZ standard format (mark/space)
- Configurable oversampling method by 16 or 8 to give flexibility between speed and clock tolerance
- Baud rate generator systems
- Two internal FIFOs for transmit and receive data, that can be enabled/disabled by software. FIFOs come with status flags for FIFOs states
- A common programmable transmit and receive baud rate of up to 2 Mbit/s with the clock frequency at 16 MHz and oversampling is by 8
- Dual clock domain with a dedicated kernel clock allowing baud rate programming independent from the PCLK reprogramming
- Auto baud rate detection
- Programmable data word length (7 or 8 or 9 bits)
- Programmable data order with MSB-first or LSB-first shifting
- Configurable stop bits (1 or 2 stop bits)
- Synchronous master/slave mode and clock output/input for synchronous communications
- SPI slave transmission underrun error flag
- Single-wire half-duplex communications
- Continuous communications using DMA
- Received/transmitted bytes are buffered in reserved SRAM using centralized DMA
- Separate enable bits for transmitter and receiver
- Separate signal polarity control for transmission and reception
- Swappable Tx/Rx pin configuration
- Hardware flow control for modem and RS-485 transceiver
- Communication control/error detection flags
- Parity control:
 - Transmits parity bit
 - Checks parity of received data byte
- Interrupt sources with flags
- Multi processor communications
- Wakeup from mute mode (by idle line detection or address mark detection)

22.3 USART extended features

- LIN master synchronous break send capability and LIN slave break detection capability
 - 13-bit break generation and 10/11 bit break detection when USART is hardware configured for LIN
- IrDA SIR encoder decoder supporting 3/16 bit duration for normal mode
- Smartcard mode
 - Supports the T=0 and T=1 asynchronous protocols for smartcards as defined in the ISO/IEC 7816-3 standard
 - 0.5 and 1.5 stop bits for smartcard operation
- Support for Modbus communication
 - Timeout feature
 - CR/LF character recognition

22.4 USART implementation

Table 97. USART/LPUART features describes the USART and LPUART implementation on the STM32WB05xZ device.

Table 97. USART/LPUART features

| USART modes/features ⁽¹⁾ | USART | LPUART |
|---------------------------------------|-----------------|--------|
| Hardware flow control for modem | X | X |
| Continuous communication using DMA | X | X |
| Multiprocessor communication | X | X |
| Synchronous mode (master/slave) | X | - |
| Smartcard mode | X | - |
| Single-wire half-duplex communication | X | X |
| IrDA SIR ENDEC block | X | - |
| LIN mode | X | - |
| Dual clock domain | X | X |
| Receiver timeout interrupt | X | - |
| Modbus communication | X | - |
| Auto baud rate detection | X | - |
| Driver enable | X | X |
| USART data length | 7, 8 and 9 bits | |
| Tx/Rx FIFO | X | X |
| Tx/Rx FIFO size | 8 | |

1. X=supported.

22.5 USART functional description

Any USART bidirectional communication requires a minimum of two pins: receive data in (RX) and transmit data out (TX):

- **RX:** receive data input
This is the serial data input. Oversampling techniques are used for data recovery by discriminating between valid incoming data and noise.
- **TX:** Transmit data output
When the transmitter is disabled, the output pin returns to its I/O port configuration. When the transmitter is enabled and nothing is to be transmitted, the TX pin is at high level. In single-wire and smartcard modes, this I/O is used to transmit and receive the data.

Serial data are transmitted and received through these pins in normal USART mode. The frames are comprised of:

- An Idle Line prior to transmission or reception
- A start bit
- A data word (7, 8 or 9 bits) least significant bit first
- 0.5, 1, 1.5, 2 stop bits indicating that the frame is complete
- The USART interface uses a baud rate generator
- A status register(USART_ISR)
- Receive and transmit data registers (USART_RDR, USART_TDR). When FIFO mode is enabled, writing into USART_TDR adds one data to the transmit FIFO; and reading from USART_RDR removes one data from the receive FIFO
- A baud rate register(USART_BRR)
- A guardtime register (USART_GTPR) in case of smartcard mode.

Refer to [Section 22.7: USART registers](#) for the definitions of each bit.

The following pin is required to interface in synchronous mode and smartcard mode:

- **SCLK:** This pin acts as clock output in synchronous master and smartcard modes. It acts as clock input in synchronous slave mode. In synchronous master mode, this pin outputs the transmitter data clock for synchronous transmission corresponding to SPI master mode (no clock pulses on start bit and stop bit, and a software option to send a clock pulse on the last data bit). In parallel, data can be received synchronously on RX. This can be used to control peripherals that have shift registers (e.g. LCD drivers). The clock phase and polarity are software programmable.

In smartcard mode, SCLK output can provide the clock to the smartcard.

- **NSS:** This pin acts as slave select input in synchronous slave mode.

The following pins are required in RS232 hardware flow control mode:

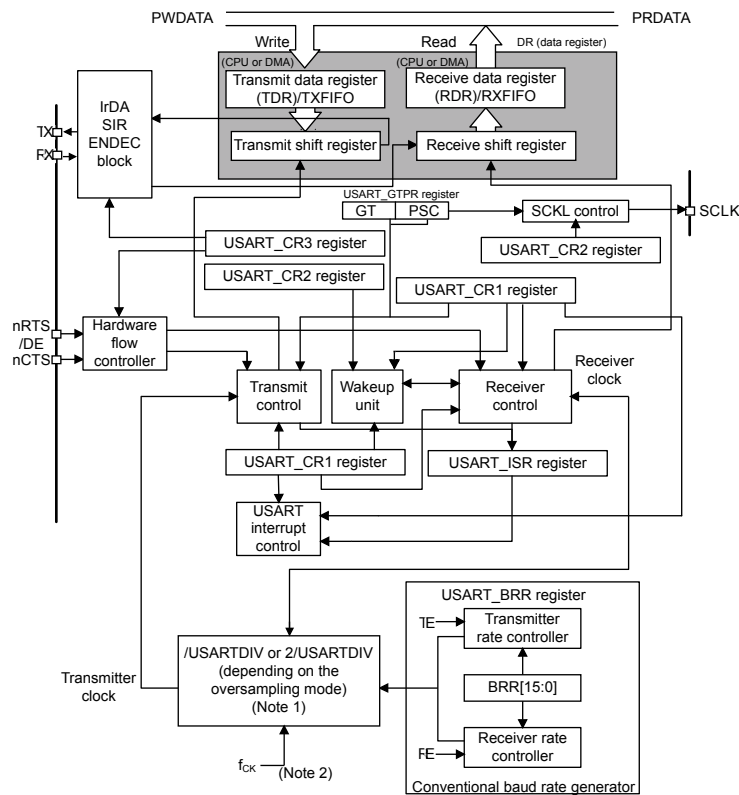
- **nCTS:** Clear to send blocks the data transmission at the end of the current transfer when high
- **nRTS:** Request to send indicates that the USART is ready to receive data (when low).

The following pin is required in RS485 hardware control mode:

- **DE:** driver enable activates the transmission mode of the external transceiver.

Note: DE and nRTS share the same pin.

Note: NSS and nCTS share the same pin.

Figure 124. USART block diagram


Note: For details on coding USARTDIV in the USARTx_BRR register, refer to [Section 22.7.4: Baud rate register \(USARTx_BRR\)](#).

Note: f_{CK} is 16 MHz.

22.5.1 USART character description

The word length can be selected as being either 7 or 8 or 9 bits by programming the M bits (M0: bit 12 and M1: bit 28) in the USART_CR1 register (see [Figure 125. Word length programming](#)).

- 7-bit character length: M[1:0] = 10
- 8-bit character length: M[1:0] = 00
- 9-bit character length: M[1:0] = 01

Note: In 7-bits data length mode, the smartcard mode, LIN master mode and auto baud rate (0x7F and 0x55 frames detection) are not supported.

In default configuration, the signal (TX or RX) is in low state during the start bit. It is in high state during the stop bit.

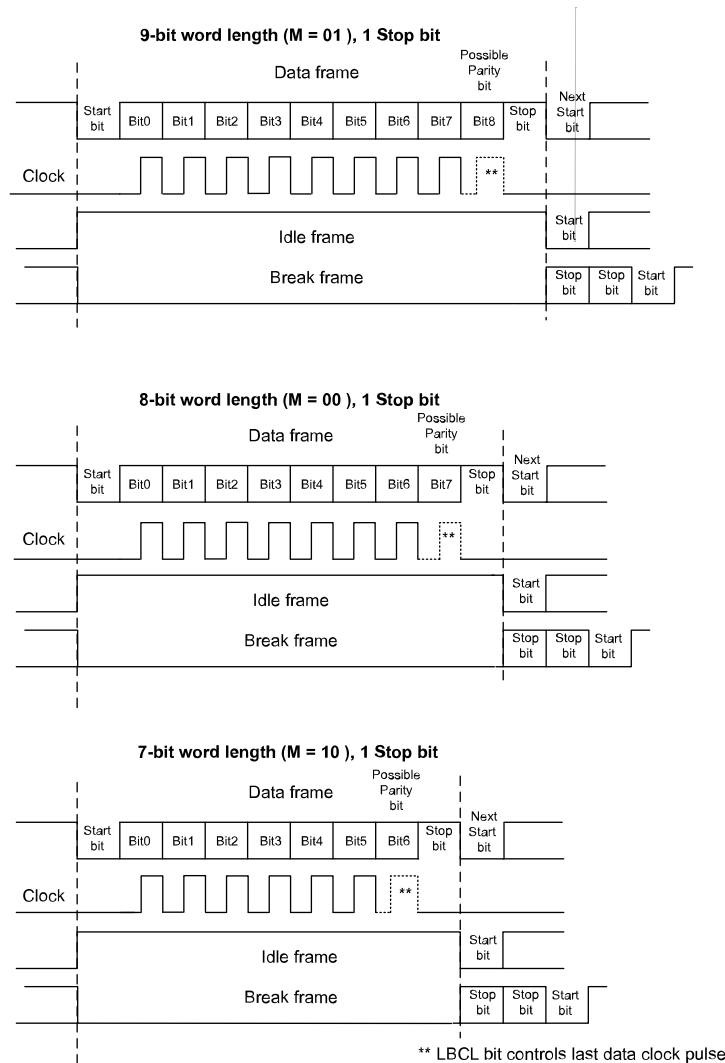
These values can be inverted, separately for each signal, through polarity configuration control.

An **Idle character** is interpreted as an entire frame of "1"s. (The number of "1"s includes the number of stop bits).

A **Break character** is interpreted on receiving "0"s for a frame period. At the end of the break frame, the transmitter inserts 2 stop bits.

Transmission and reception are driven by a common baud rate generator, the clock for each is generated when the enable bit is set respectively for the transmitter and receiver.

The details of each block is given below.

Figure 125. Word length programming


22.5.2 FIFOs and thresholds

The USART can operate in FIFO mode, with the FIFO buffers having a depth of 16 bytes (8 bytes TX, 8 bytes RX).

The USART comes with a transmit FIFO (TXFIFO) and a receive FIFO (RXFIFO). The FIFO mode is enabled by setting the bit 29 FIFOEN in the USARTx_CR1 register.

The FIFO mode is supported only on UART, SPI and smartcard modes.

Being 9 bits the maximum data word length, the TXFIFO is 9-bits wide. However the RXFIFO is by default 12-bits wide. This is due to the fact that the receiver does not only put the data in the FIFO, but also the error flags associated to each character (Parity error, Noise error and Framing error flags).

Note: The received data is stored in the RXFIFO with its flags. But If you read RDR, you read just the data. The status flags are available in the USART_ISR register.

It is possible to define the TXFIFO and RXFIFO levels at which the Tx and RX interrupt are triggered. These thresholds are programmed through bit fields RXFTCFG and TXFTCFG in USARTx_CR3 control register.

In this case:

- The receive interrupt is generated when the number of received data in the RXFIFO reaches the threshold programmed in the RXFTCFG bits fields
- The transmit interrupt is generated when the number of empty locations in the TXFIFO reaches the threshold programmed in the TXFTCFG bit fields.

RXFIFO threshold

The RXFIFO threshold is configured using the RXFTCFG bits fields in the USARTx_CR3 register.

When the number of received data is equal to the programmed RXFTCFG, the flag RXFT in the USART_ISR register is set.

Having RXFT flag set means that there are RXFTCFG data received: 1 data in USARTx_RDR and (RXFTCFG - 1) data in the RXFIFO. So, when the RXFTCFG is programmed to «101», the RXFT flag is set when 8 data are received: 7 data in the RXFIFO and 1 data in the USARTx_RDR. Consequently, the 9th received data do not set the overrun flag.

22.5.3

Transmitter

The transmitter can send data words of either 7 or 8 or 9 bits depending on the M bit status. The transmit enable bit (TE) must be set in order to activate the transmitter function. The data in the transmit shift register is output on the TX pin and the corresponding clock pulses are output on the SCLK pin.

Character transmission

During an USART transmission, data shifts out least significant bit first (default configuration) on the TX pin. In this mode, the USARTx_TDR register consists of a buffer (TDR) between the internal bus and the transmit shift register.

When FIFO mode is enabled, data written to the transmit data register USART_TDR, is queued in the TXFIFO.

Every character is preceded by a start bit which is a logic level low for one bit period. The character is terminated by a configurable number of stop bits.

The following stop bits are supported by USART: 0.5, 1, 1.5 and 2 stop bits.

Note:

The TE bit must be set before writing the data to be transmitted to the USART_TDR. The TE bit should not be reset during transmission of data. Resetting the TE bit during the transmission corrupts the data on the TX pin as the baud rate counters get frozen. The current data being transmitted are lost. An idle frame is sent after the TE bit is enabled.

Configurable stop bits

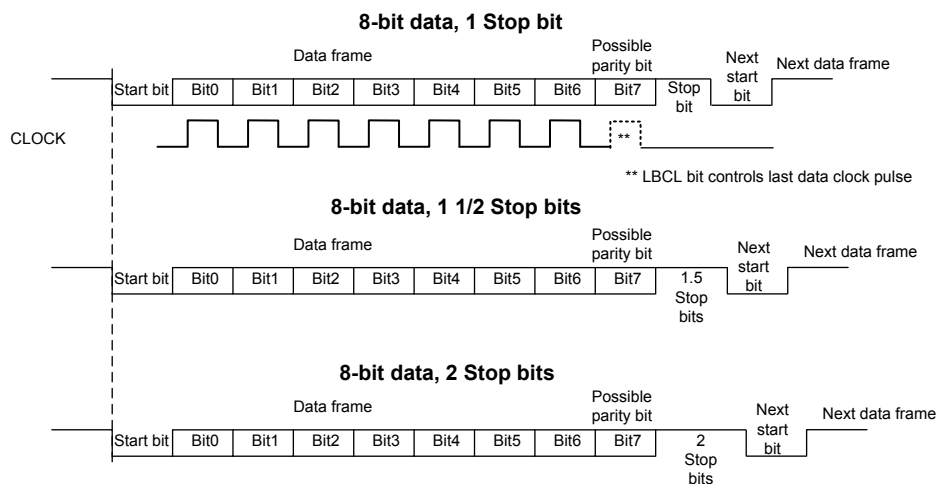
The number of stop bits to be transmitted with every character can be programmed in control register 2, bits 13,12.

- 1 stop bit: this is the default value of number of stop bits
- 2 stop bits: this is supported by normal USART, single-wire and modem modes
- 1.5 stop bits: to be used in smartcard mode.

An idle frame transmission includes the stop bits.

A break transmission is 10 low bits (when M[1:0] = 00) or 11 low bits (when M[1:0] = 01) or 9 low bits (when M[1:0] = 10) followed by 2 stop bits (see Figure 126. Configurable stop bits). It is not possible to transmit long breaks (break of length greater than 9/10/11 low bits).

Figure 126. Configurable stop bits



Character transmission procedure

1. Program the M bits in USART_CR1 to define the word length.
2. Select the desired baud rate using the USART_BRR register.
3. Program the number of stop bits in USART_CR2.
4. Enable the USART by writing the UE bit in USART_CR1 register to 1.
5. Select DMA enable (DMAT) in USART_CR3 if multi-buffer communication is to take place. Configure the DMA register as explained in multi-buffer communication.
6. Set the TE bit in USART_CR1 to send an idle frame as first transmission.
7. Write the data to send in the USART_TDR register. Repeat this for each data to be transmitted in case of single buffer.
 - a. When FIFO mode is disabled, writing a data in the USART_TDR clears the TXE flag.
 - b. When FIFO mode is enabled, writing a data in the USART_TDR adds one data to the TXFIFO and write operations in the USART_TDR are made when TXFNF flag is set. This flag remains set until the TXFIFO is full.
8. After writing the last data into the USART_TDR register, wait until TC=1.
 - When FIFO mode is disabled, this indicates that the transmission of the last frame is complete.
 - When FIFO mode is enabled, this indicates that both TXFIFO and shift register are empty.

Single byte communication

- When FIFO mode is disabled:

clearing the TXE flag is always performed by a write to the transmit data register. The TXE flag is set by hardware and it indicates:

- the data has been moved from the USARTx_TDR register to the shift register and the data transmission has started
- the USARTx_TDR register is empty
- the next data can be written in the USARTx_TDR register without overwriting the previous data.

This flag generates an interrupt if the TXEIE bit is set.

When a transmission is taking place, a write instruction to the USARTx_TDR register stores the data in the TDR register and which is copied in the shift register at the end of the current transmission.

When no transmission is taking place, a write instruction to the USARTx_TDR register places the data in the shift register, the data transmission starts, and the TXE bit is set.

- When FIFO mode is enabled, the TXFNF (TXFIFO not full) flag is set by hardware and it indicates:
 - the TXFIFO is not full
 - the USART_TDR register is empty
 - the next data can be written in the USART_TDR register without overwriting the previous data. When a transmission is taking place, a write operation to the USART_TDR register stores the data in the TXFIFO. Data are copied from the TXFIFO into the shift register at the end of the current transmission.

When the TXFIFO is not full, the TXFNF flag stays at 1 even after a write in USART_TDR . It is cleared when the TXFIFO is full.

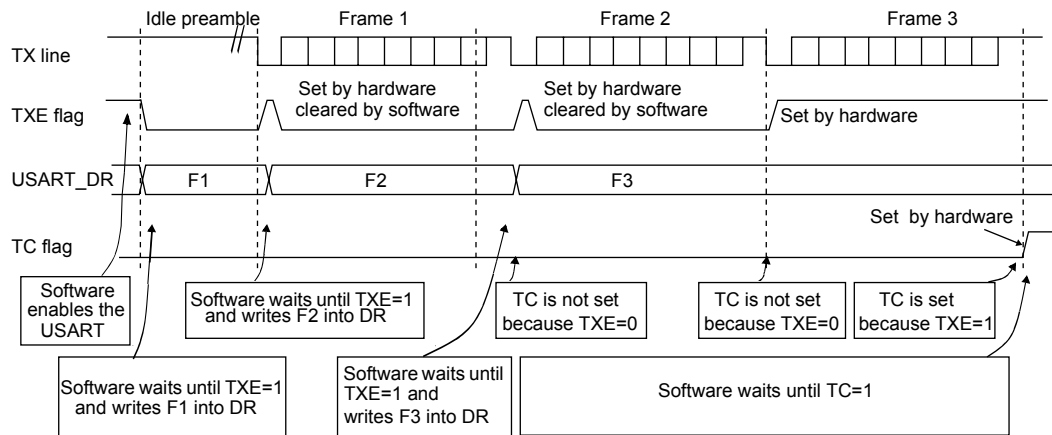
This flag generates an interrupt if the TXFNFIE bit is set.

Alternatively, interrupts can be generated and data can be written into FIFO when the TXFIFO threshold is reached. In this case, the CPU can write a block of data defined by the programmed trigger level.

If a frame is transmitted (after the stop bit) and the TXE flag (TXFE in case of FIFO mode) is set, the TC flag goes high. An interrupt is generated if the TCIE bit is set in the USART_CR1 register.

After writing the last data in the USART_TDR register, it is mandatory to wait for TC=1 before disabling the USART or causing the microcontroller to enter the low-power mode (see [Figure 127. TC/TXE behavior when transmitting](#)).

Figure 127. TC/TXE behavior when transmitting



Note: When FIFO management is enabled, the TXFNF flag is used for data transmission.

Break characters

Setting the SBKRQ bit transmits a break character. The break frame length depends on the M bit (see Figure 125. Word length programming).

If a '1' is written to the SBKRQ bit, a break character is sent on the TX line after completing the current character transmission. The SBKF bit is set by the write operation and it is reset by hardware when the break character is completed (during the stop bits after the break character). The USART inserts a logic 1 signal (STOP) for the duration of 2 bits at the end of the break frame to guarantee the recognition of the start bit of the next frame.

When the SBKRQ bit is set, the break character is sent at the end of the current transmission.

When FIFO mode is enabled, sending the break character has priority on sending data even if the TXFIFO is full.

Idle characters

Setting the TE bit drives the USART to send an idle frame before the first data frame.

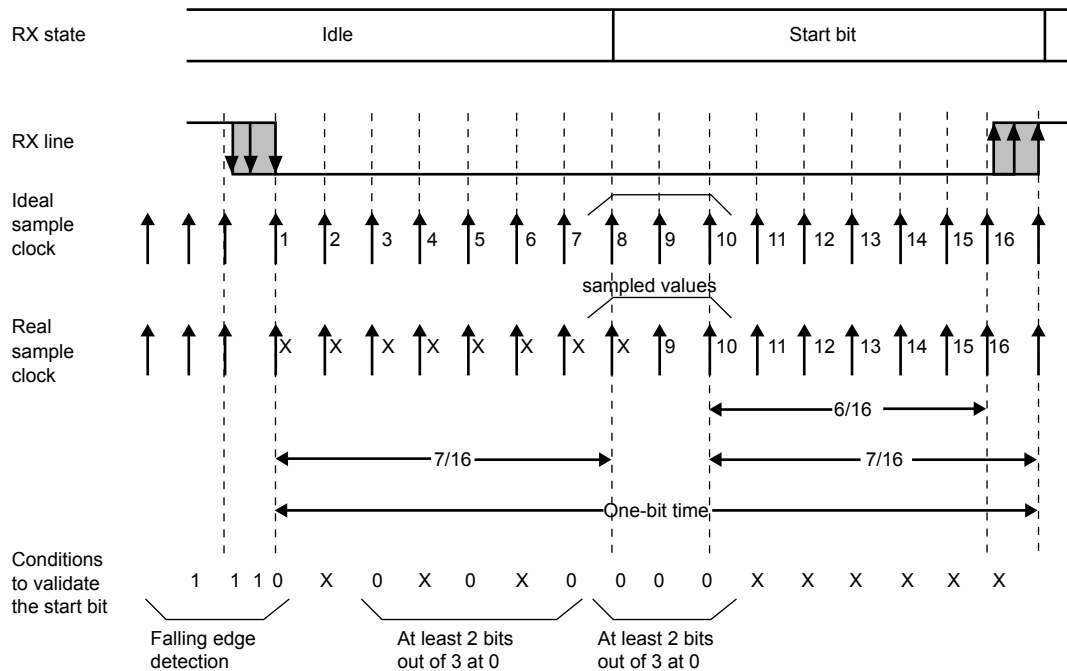
22.5.4 Receiver

The USART can receive data words of either 7 or 8 or 9 bits depending on the M bits in the USART_CR1 register.

Start bit detection

The start bit detection sequence is the same when oversampling by 16 or by 8. In the USART, the start bit is detected when a specific sequence of samples is recognized. This sequence is: 1 1 1 0 X 0 X 0X 0X 0 X 0X 0.

Figure 128. Start bit detection when oversampling by 16 or 8



Note: *If the sequence is not complete, the start bit detection aborts and the receiver returns to the idle state (no flag is set), where it waits for a falling edge.*

The start bit is confirmed (RXNE flag set, interrupt generated if RXNEIE=1 (RXFNE flag set, interrupt generated if RXFNEIE=1 if FIFO mode is enabled) if the 3 sampled bits are at 0 (first sampling on the 3rd, 5th and 7th bits finds the 3 bits at 0 and second sampling on the 8th, 9th and 10th bits also finds the 3 bits at 0).

The start bit is validated but the NF noise flag is set if,

1. for both samplings, 2 out of the 3 sampled bits are at 0 (sampling on the 3rd, 5th and 7th bits and sampling on the 8th, 9th and 10th bits)
or
2. for one of the samplings (sampling on the 3rd, 5th and 7th bits or sampling on the 8th, 9th and 10th bits), 2 out of the 3 bits are found at 0.

If neither conditions, 1 or 2, are met, the start detection aborts and the receiver returns to the idle state (no flag is set).

Character reception

During a USART reception, data shifts in least significant bit first (default configuration) through the RX pin.

Character reception procedure

1. Program the M bits in USART_CR1 to define the word length
2. Select the desired baud rate using the baud rate register USART_BRR
3. Program the number of stop bits in USART_CR2
4. Enable the USART by writing the UE bit in USART_CR1 register to 1
5. Select DMA enable (DMAR) in USART_CR3 if multi-buffer communication is to take place. Configure the DMA register as explained in multi-buffer communication

6. Set the RE bit USART_CR1. This enables the receiver which begins searching for a start bit.

When a character is received

- When FIFO mode is disabled, the RXNE bit is set indicating that the content of the shift register is transferred to the RDR. In other words, data has been received and can be read (as well as its associated error flags)
- When FIFO is enabled, the RXFNE bit is set indicating that the RXFIFO is not empty. A read of the USART_RDR gets the oldest entry in the RXFIFO. When a data is received, it is stored in the RXFIFO, with error bits associated with that data
- An interrupt is generated if the RXNEIE (RXFNEIE in case of FIFO mode) bit is set
- The error flags can be set if a frame error, noise, parity or an overrun error has been detected during reception
- In multi-buffer communication:
 - When FIFO mode is disabled, the RXNE is set after every byte received and is cleared by the DMA read of the receive data register.
 - When FIFO mode is enabled, the RXFNE is set when the RXFIFO is not empty. After every DMA request, a data is retrieved from the RXFIFO. DMA request is triggered by RXFIFO if not empty, i.e. there is data in the RXFIFO to be read.
- In single buffer mode,
 - When FIFO mode is disabled: clearing the RXNE flag is performed by a software read to the USARTx_RDR register. The RXNE flag can also be cleared by writing 1 to the RXFRQ in the USARTx_RQR register. The RXNE flag must be cleared before the end of the reception of the next character to avoid an overrun error.
 - When FIFO mode is enabled, the RXFNE is set when the RXFIFO is not empty. After every read of the USART_RDR, a data is retrieved from the RXFIFO. When the RXFIFO is empty, the RXFNE flag is cleared. The RXFNE flag can also be cleared by writing 1 to the RXFRQ in the USART_RQR register. When the RXFIFO is full, the first entry in the RXFIFO must be read before the end of the reception of the next character to avoid an overrun error. The RXFNE flag generates an interrupt if the RXFNEIE bit is set. Alternatively, interrupts can be generated and data can be read from RXFIFO when the RXFIFO threshold is reached. In this case, the CPU can read a block of data defined by the programmed threshold.

Break character

When a break character is received, the USART handles it as a framing error.

Idle character

When an idle frame is detected, there is the same procedure as for a received data character plus an interrupt if the IDLEIE bit is set.

Overrun error

- FIFO mode disabled:

An overrun error occurs when a character is received when RXNE has not been reset. Data cannot be transferred from the shift register to the RDR register until the RXNE bit is cleared. The RXNE flag is set after every byte received. An overrun error occurs if RXNE flag is set when the next data is received or the previous DMA request has not been serviced. When an overrun error occurs:

1. The ORE bit is set.
2. The RDR content is not lost. The previous data is available when a read to USARTx_RDR is performed.
3. The shift register is overwritten. After that point, any data received during overrun is lost.
4. An interrupt is generated if either the RXNEIE bit is set or EIE bit is set.

- FIFO mode enabled

An overrun error occurs when the shift register is ready to be transferred when the receive FIFO is full. Data can not be transferred from the shift register to the USARTx_RDR register until there is one free location in the RXFIFO. The RXFNE flag is set when the RXFIFO is not empty. An overrun error occurs if the RXFIFO is full and the shift register is ready to be transferred. When an overrun error occurs:

1. The ORE bit is set.
2. The first entry in the RXFIFO is not lost. It is available when a read to USART_RDR is performed.
3. The shift register is overwritten. After that point, any data received during overrun is lost.
4. An interrupt is generated if either the RXFNEIE bit is set or EIE bit is set.

The ORE bit is reset by setting the ORECF bit in the USARTx_ICR register.

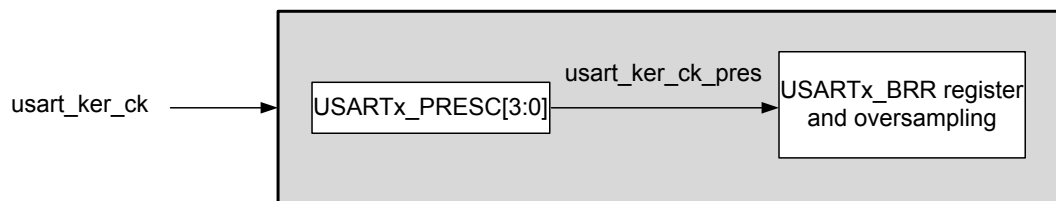
- Note: The ORE bit, when set, indicates that at least 1 data has been lost. When the FIFO mode is disabled, there are two possibilities
- if $RXNE=1$, then the last valid data is stored in the receive register RDR and can be read
 - if $RXNE=0$, then it means that the last valid data has already been read and thus there is nothing to be read in the RDR. This case can occur when the last valid data is read in the RDR at the same time as the new (and lost) data is received.

Selecting the clock source and the proper oversampling method

The clock source frequency is f_{CK} (16 MHz).

The f_{CK} can be divided by a programmable factor in the USARTx_PRESC register.

Figure 129. usart_ker_ck clock divider block diagram



MSv40855V1

The communication speed range (specially the maximum communication speed) is also determined by the clock source.

The receiver implements different user-configurable oversampling techniques (except in synchronous mode) for data recovery by discriminating between valid incoming data and noise. This allows a trade off between the maximum communication speed and noise/clock inaccuracy immunity.

The oversampling method can be selected by programming the OVER8 bit in the USART_CR1 register and can be either 16 or 8 times the baud rate clock (Figure 130. Data sampling when oversampling by 16 and Figure 131. Data sampling when oversampling by 8).

Depending on the application:

- Select oversampling by 8 (OVER8=1) to achieve higher speed (up to $f_{CKPRES}/8$). In this case the maximum receiver tolerance to clock deviation is reduced (refer to Section 22.5.6: Tolerance of the USART receiver to clock deviation).
- Select oversampling by 16 (OVER8=0) to increase the tolerance of the receiver to clock deviations. In this case, the maximum speed is limited to maximum $f_{CKPRES}/16$.

where f_{CKPRES} is the USART input clock divided by a prescaler.

Programming the ONEBIT bit in the USART_CR3 register selects the method used to evaluate the logic level. There are two options:

- The majority vote of the three samples in the center of the received bit. In this case, when the 3 samples used for the majority vote are not equal, the NF bit is set
- A single sample in the center of the received bit
 - select the three samples' majority vote method (ONEBIT=0) when operating in a noisy environment and reject the data when a noise is detected (refer to Figure 2 because this indicates that a glitch occurred during the sampling).
 - select the single sample method (ONEBIT=1) when the line is noise-free to increase the receiver's tolerance to clock deviations (see Section 22.5.6: Tolerance of the USART receiver to clock deviation). In this case the NF bit is never set.

When noise is detected in a frame:

- The NF bit is set at the rising edge of the RXNE bit (RXFNE in case of FIFO mode enabled)
- The invalid data is transferred from the Shift register to the USART_RDR register

- No interrupt is generated in case of single byte communication. However this bit rises at the same time as the RXNE bit (RXFNE in case of FIFO mode enabled) which itself generates an interrupt. In case of multi-buffer communication an interrupt is issued if the EIE bit is set in the USART_CR3 register.

The NF bit is reset by setting NFCF bit in the ICR register.

Note: Noise error is not supported in SPI mode.

Note: Oversampling by 8 is not available in the smartcard, IrDA and LIN modes. In those modes, the OVER8 bit is forced to '0' by hardware.

Figure 130. Data sampling when oversampling by 16

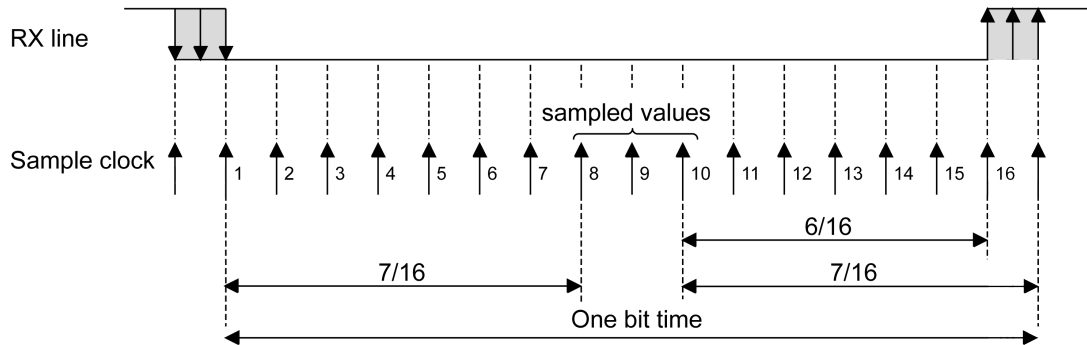


Figure 131. Data sampling when oversampling by 8

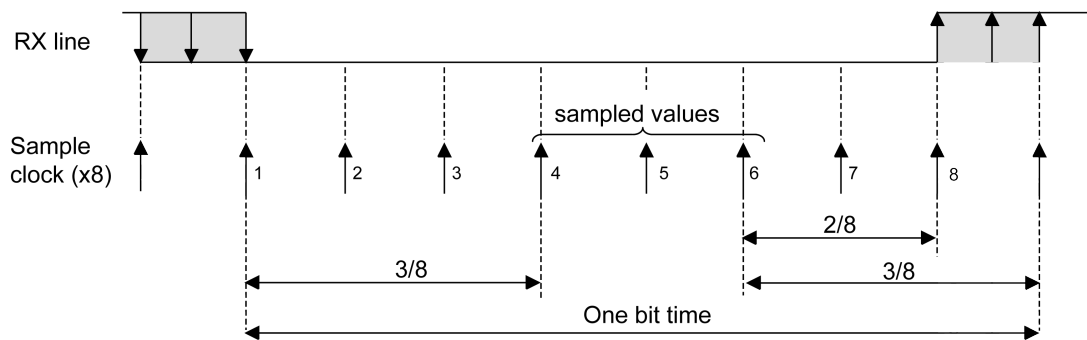


Table 98. Noise detection from sampled data

| Sampled value | NE status | Received bit value |
|---------------|-----------|--------------------|
| 000 | 0 | 0 |
| 001 | 1 | 0 |
| 010 | 1 | 0 |
| 011 | 1 | 1 |
| 100 | 1 | 0 |
| 101 | 1 | 1 |
| 110 | 1 | 1 |
| 111 | 0 | 1 |

Framing error

A framing error is detected when the stop bit is not recognized on reception at the expected time, following either a de-synchronization or excessive noise.

When the framing error is detected:

- The FE bit is set by hardware
- The invalid data is transferred from the shift register to the USART_RDR register (RXFIFO in case FIFO mode is enabled)

- No interrupt is generated in case of single byte communication. However this bit rises at the same time as the RXNE bit (RXFNE in case FIFO mode is enabled) which itself generates an interrupt. In case of multi-buffer communication an interrupt is issued if the EIE bit is set in the USART_CR3 register.

The FE bit is reset by writing 1 to the FEFC in the USART_ICR register.

Note: Framing error is not supported in SPI mode.

Configurable stop bits during reception

The number of stop bits to be received can be configured through the control bits of control register 2 - it can be either 1 or 2 in normal mode and 0.5 or 1.5 in smartcard mode.

- 0.5 stop bit (reception in smartcard mode):** No sampling is done for 0.5 stop bit. As a consequence, no framing error and no break frame can be detected when 0.5 stop bit is selected.
- 1 stop bit:** Sampling for 1 stop bit is done on the 8th, 9th and 10th samples.
- 1.5 stop bits (smartcard mode):** When transmitting in smartcard mode, the device must check that the data is correctly sent. Thus the receiver block must be enabled (RE=1 in the USART_CR1 register) and the stop bit is checked to test if the smartcard has detected a parity error. In the event of a parity error, the smartcard forces the data signal low during the sampling - NACK signal -, which is flagged as a framing error. Then, the FE flag is set with the RXNE (RXFNE in case FIFO mode is enabled) at the end of the 1.5 stop bit. Sampling for 1.5 stop bits is done on the 16th, 17th and 18th samples (1 baud clock period after the beginning of the stop bit). The 1.5 stop bit can be decomposed into 2 parts: one 0.5 baud clock period during which nothing happens, followed by 1 normal stop bit period during which sampling occurs halfway through. Refer to [Section 22.5.14: Receiver timeout](#) for more details.
- 2 stop bits:** Sampling for 2 stop bits is done on the 8th, 9th and 10th samples of the first stop bit. If a framing error is detected during the first stop bit the framing error flag is set. The second stop bit is not checked for framing error. The RXNE (RXFNE in case FIFO mode is enabled) flag is set at the end of the first stop bit.

22.5.5 Baud rate generation

The baud rate for the receiver and transmitter (Rx and Tx) are both set to the same value as programmed in the USART_BRR register.

Equation 1: Baud rate for standard USART (SPI mode included) (OVER8 = 0 or 1).

In case of oversampling by 16, the equation is:

$$Tx/Rxbaud = \frac{f_{CKPRES}}{USARTDIV} \quad (4)$$

In case of oversampling by 8, the equation is:

$$Tx/Rxbaud = \frac{2 \times f_{CKPRES}}{USARTDIV} \quad (5)$$

Equation 2: Baud rate in Smartcard, LIN and IrDA modes (OVER8 = 0)

$$Tx/Rxbaud = \frac{f_{CKPRES}}{USARTDIV} \quad (6)$$

f_{ckpres} is the USART clock which is the USART input clock divided by a prescaler configured in the USART_PRES register.

USARTDIV is an unsigned fixed point number that is coded on the USART_BRR register.

- When OVER8 = 0, BRR = USARTDIV
- When OVER8 = 1
 - BRR[2:0] = USARTDIV[3:0] shifted 1 bit to the right
 - BRR[3] must be kept cleared
 - BRR[15:4] = USARTDIV[15:4]

Note: The baud counters are updated to the new value in the baud registers after a write operation to USART_BRR. Hence the baud rate register value should not be changed during communication. In case of oversampling by 16 and 8, USARTDIV must be greater than or equal to 16d.

How to derive USARTDIV from USART_BRR register values

Example 1

 To obtain 9600 baud with $f_{CKPRES} = 8$ MHz.

- In case of oversampling by 16:
 USARTDIV = $8\ 000\ 000/9600$
 BRR = USARTDIV = 833d = 0341h
- In case of oversampling by 8:
 USARTDIV = $2 * 8\ 000\ 000/9600$
 USARTDIV = 1666,66 (1667d = 683h)
 BRR[3:0] = 3h >>1 = 1h
 BRR = 0x681

22.5.6 Tolerance of the USART receiver to clock deviation

The asynchronous receiver of the USART works correctly only if the total clock system deviation is less than the tolerance of the USART receiver. The causes which contribute to the total deviation are:

- DTRA: Deviation due to the transmitter error (which also includes the deviation of the transmitter's local oscillator)
- DQUANT: Error due to the baud rate quantization of the receiver
- DREC: Deviation of the receiver local oscillator
- DTCL: Deviation due to the transmission line (generally due to the transceivers which can introduce an asymmetry between the low-to-high transition timing and the high-to-low transition timing)
 $DTRA + DQUANT + DREC + DTCL < \text{USART receiver tolerance.}$

 The USART receiver can receive data correctly at up to the maximum tolerated deviation specified in [Table 99. Tolerance of the USART receiver when BRR \[3:0\] = 0000 \(high-density devices\)](#) and [Table 100. Tolerance of the USART receiver when BRR\[3:0\] is different from 0000 \(high-density devices\)](#), depending on the following choices:

- 9-,10- or 11-bit character length defined by the M bits in the USART_CR1 register
- Oversampling by 8 or 16 defined by the OVER8 bit in the USART_CR1 register
- Bits BRR[3:0] of USART_BRR register are equal to or different from 0000
- Use of 1 bit or 3 bits to sample the data, depending on the value of the ONEBIT bit in the USART_CR3 register.

Table 99. Tolerance of the USART receiver when BRR [3:0] = 0000 (high-density devices)

| M bits | OVER8 bit = 0 | | OVER8 bit = 1 | |
|--------|---------------|----------|---------------|----------|
| | ONEBIT=0 | ONEBIT=1 | ONEBIT=0 | ONEBIT=1 |
| 00 | 3.75% | 4.375% | 2.50% | 3.75% |
| 01 | 3.41% | 3.97% | 2.27% | 3.41% |
| 10 | 4.16 | 4.86 | 2.77 | 4.16 |

Table 100. Tolerance of the USART receiver when BRR[3:0] is different from 0000 (high-density devices)

| M bits | OVER8 bit = 0 | | OVER8 bit = 1 | |
|--------|---------------|----------|---------------|----------|
| | ONEBIT=0 | ONEBIT=1 | ONEBIT=0 | ONEBIT=1 |
| 00 | 3.33% | 3.88% | 2% | 3% |
| 01 | 3.03% | 3.53% | 1.82% | 2.73% |
| 10 | 3.7 | 4.31 | 2.22 | 3.33 |

Note: *The data specified in [Table 99. Tolerance of the USART receiver when BRR \[3:0\] = 0000 \(high-density devices\)](#) and [Table 100. Tolerance of the USART receiver when BRR\[3:0\] is different from 0000 \(high-density devices\)](#) may slightly differ in the special case when the received frames contain some Idle frames of exactly 10-bit times when M bits = 00 (11-bit times when M = 01 or 9-bit times when M = 10).*

22.5.7 Auto baud rate detection

The USART is able to detect and automatically set the USART_BRR register value based on the reception of one character. Automatic baud rate detection is useful under two circumstances:

- The communication speed of the system is not known in advance
- The system is using a relatively low accuracy clock source and this mechanism allows the correct baud rate to be obtained without measuring the clock deviation.

The clock source frequency must be compatible with the expected communication speed (when oversampling by 16, the baud rate is between $f_{CK}/65535$ and $f_{CK}/16$. When oversampling by 8, the baud rate is between $f_{CK}/65535$ and $f_{CK}/8$).

Before activating the auto baud rate detection, the auto baud rate detection mode must be chosen. There are four modes based on different character patterns.

The modes can be chosen through the ABRMOD[1:0] field in the USART_CR2 register. In these auto baud rate modes, the baud rate is measured several times during the synchronization data reception and each measurement is compared to the previous one.

These modes are:

- **Mode 0:** Any character starting with a bit at 1.
In this case the USART measures the duration of the start bit (falling edge to rising edge).
- **Mode 1:** Any character starting with a 10xx bit pattern.
In this case, the USART measures the duration of the start and of the 1st data bit.
The measurement is done falling edge to falling edge, ensuring better accuracy in the case of slow signal slopes.
- **Mode 2:** A 0x7F character frame (it may be a 0x7F character in LSB first mode or a 0xFE in MSB first mode).
In this case, the baud rate is updated first at the end of the start bit (BRs), then at the end of bit 6 (based on the measurement done from falling edge to falling edge: BR6). Bit0 to Bit6 are sampled at BRs while further bits of the character are sampled at BR6.
- **Mode 3:** A 0x55 character frame.
In this case, the baud rate is updated first at the end of the start bit (BRs), then at the end of bit0 (based on the measurement done from falling edge to falling edge: BR0), and finally at the end of bit6 (BR6). Bit0 is sampled at BRs, Bit1 to Bit6 are sampled at BR0, and further bits of the character are sampled at BR6. In parallel, another check is performed for each intermediate transition of RX line. An error is generated if the transitions on RX are not sufficiently synchronized with the receiver (the receiver being based on the baud rate calculated on bit 0).

Prior to activating auto baud rate detection, the USART_BRR register must be initialized by writing a non-zero baud rate value.

The automatic baud rate detection is activated by setting the ABREN bit in the USART_CR2 register. The USART then waits for the first character on the RX line. The auto baud rate operation completion is indicated by the setting of the ABRF flag in the USART_ISR register. If the line is noisy, the correct baud rate detection cannot be guaranteed. In this case the BRR value may be corrupted and the ABRE error flag is set. This also happens if the communication speed is not compatible with the automatic baud rate detection range (bit duration not between 16 and 65536 clock periods (oversampling by 16) and not between 8 and 65536 clock periods (oversampling by 8)).

The auto baud rate detection can be re-launched later by resetting the ABRF flag (by writing a 0).

When FIFO management is disabled, in case of auto baud rate error, the ABRE flag is set with RXNE and FE.

When FIFO management is enabled, in case of auto baud rate error, the ABRE flag is set with RXFNE and FE.

In case FIFO mode is enabled, the auto baud rate detection should be made using the data on the first RXFIFO location. So, prior to launching the auto baud rate detection, the user should make sure that the RXFIFO is empty using the RXFNE flag in the USARTx_ISR register.

Note: The BRR value may be corrupted if the USART is disabled (UE=0) during an auto baud rate operation.

22.5.8 Multiprocessor communication

It is possible to perform multiprocessor communication with the USART (with several USARTs connected in a network). For instance one of the USARTs can be the master, its TX output connected to the RX inputs of the other USARTs. The others are slaves, their respective TX outputs are logically ANDed together and connected to the RX input of the master.

In multiprocessor configurations it is often desirable that only the intended message recipients should actively receive the full message contents, thus reducing redundant USART service overhead for all non addressed receivers.

The non addressed devices may be placed in mute mode by means of the muting function. In order to use the mute mode feature, the MME bit must be set in the USARTx_CR1 register.

Note: When FIFO management is enabled and MME is already set, MME bit must not be cleared and then set again quickly (within two UCLK cycles) otherwise mute mode might remain active.

In mute mode:

- None of the reception status bits can be set
- All the receive interrupts are inhibited
- The RWU bit in USART_ISR register is set to 1. RWU can be controlled automatically by hardware or by software, through the MMRQ bit in the USART_RQR register, under certain conditions.

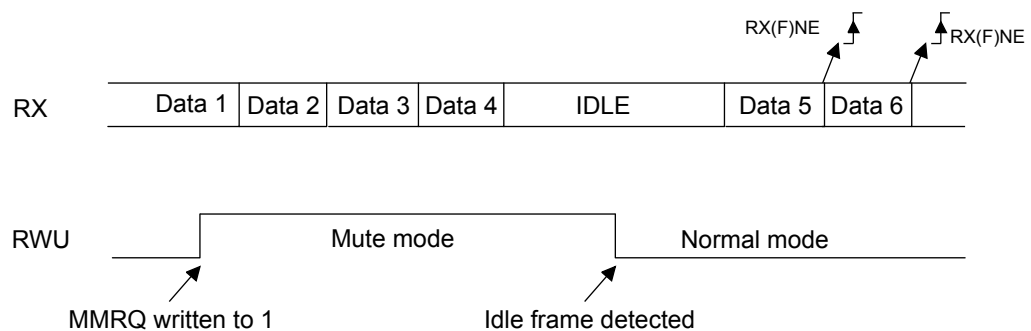
The USART can enter or exit from mute mode using one of two methods, depending on the WAKE bit in the USART_CR1 register:

- Idle Line detection if the WAKE bit is reset
- Address Mark detection if the WAKE bit is set.

Idle line detection (WAKE=0)

The USART enters mute mode when the MMRQ bit is written to 1 and the RWU is automatically set. It wakes up when an idle frame is detected. Then the RWU bit is cleared by hardware but the IDLE bit is not set in the USART_ISR register. An example of mute mode behavior using Idle line detection is given in [Figure 132. Mute mode using Idle line detection](#).

Figure 132. Mute mode using Idle line detection



Note: If the MMRQ is set while the IDLE character has already elapsed, mute mode is not entered (RWU is not set).

Note: If the USART is activated while the line is IDLE, the idle state is detected after the duration of one IDLE frame (not only after the reception of one character frame).

4-bit/7-bit address mark detection (WAKE=1)

In this mode, bytes are recognized as addresses if their MSB is a '1' otherwise they are considered as data. In an address byte, the address of the targeted receiver is put in the 4 or 7 LSBs. The choice of 7 or 4 bit address detection is done using the ADDM7 bit. This 4-bit/7-bit word is compared by the receiver with its own address which is programmed in the ADD bits in the USART_CR2 register.

Note: In 7-bit and 9-bit data modes, address detection is done on 6-bit and 8-bit addresses (ADD[5:0] and ADD[7:0]) respectively.

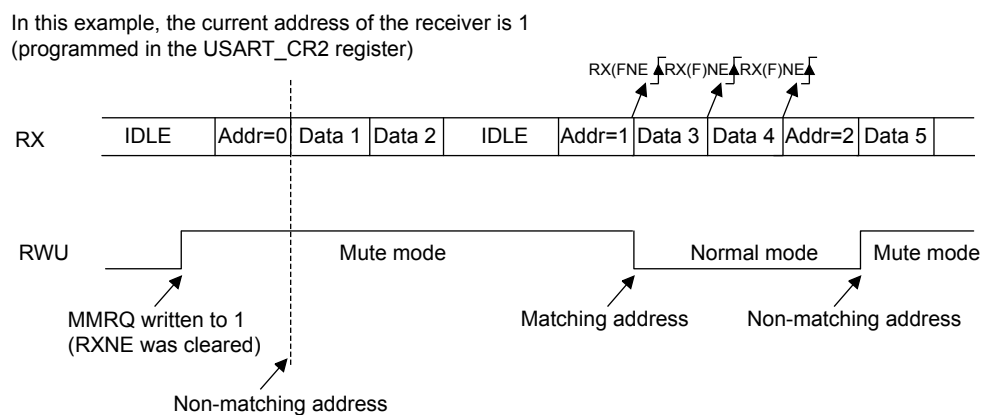
The USART enters mute mode when an address character is received which does not match its programmed address. In this case, the RWU bit is set by hardware. The RXNE flag is not set for this address byte and no interrupt or DMA request is issued when the USART enters mute mode. When FIFO management is enabled, the software should ensure that there is at least one empty location in the RXFIFO before entering mute mode.

The USART also enters mute mode when the MMRQ bit is written to 1. The RWU bit is also automatically set in this case. The USART exits from mute mode when an address character is received which matches the programmed address. Then the RWU bit is cleared and subsequent bytes are received normally. The RXNE/RXFNE bit is set for the address character since the RWU bit has been cleared.

Note: When FIFO management is enabled, when MMRQ is set while the receiver is sampling the last bit of data, these data maybe be received before entering mute mode.

An example of mute mode behavior using address mark detection is given in [Figure 133. Mute mode using address mark detection](#).

Figure 133. Mute mode using address mark detection



22.5.9 Modbus communication

The USART offers basic support for the implementation of Modbus/RTU and Modbus/ASCII protocols. Modbus/RTU is a half-duplex, block transfer protocol. The control part of the protocol (address recognition, block integrity control and command interpretation) must be implemented in software.

The USART offers basic support for the end of the block detection, without software overhead or other resources.

Modbus/RTU

In this mode, the end of one block is recognized by a "silence" (idle line) for more than 2 character times. This function is implemented through the programmable timeout function.

The timeout function and interrupt must be activated, through the RTOEN bit in the USART_CR2 register and the RTOIE in the USART_CR1 register. The value corresponding to a timeout of 2 character times (for example 22 x bit time) must be programmed in the RTO register. When the receive line is idle for this duration, after the last stop bit is received, an interrupt is generated, informing the software that the current block reception is completed.

Modbus/ASCII

In this mode, the end of a block is recognized by a specific (CR/LF) character sequence. The USART manages this mechanism using the character match function. By programming the LF ASCII code in the ADD[7:0] field and by activating the character match interrupt (CMIE=1), the software is informed when an LF has been received and can check the CR/LF in the DMA buffer.

22.5.10 Parity control

Parity control (generation of parity bit in transmission and parity checking in reception) can be enabled by setting the PCE bit in the USART_CR1 register. Depending on the frame length defined by the M bits, the possible USART frame formats are as listed in Table 101. Frame formats.

Table 101. Frame formats

| M bits | PCE bit | USART frame ⁽¹⁾ |
|--------|---------|----------------------------|
| 00 | 0 | SB 8-bit data STB |
| 00 | 1 | SB 7-bit data PB STB |
| 01 | 0 | SB 9-bit data STB |
| 01 | 1 | SB 8-bit data PB STB |
| 10 | 0 | SB 7-bit data STB |
| 10 | 1 | SB 6-bit data PB STB |

1. Legends: SB: start bit, STB: stop bit, PB: parity bit. In the data register, the PB is always taking the MSB position (8th or 7th, depending on the M bit value).

Even parity

The parity bit is calculated to obtain an even number of “1s” inside the frame of the 6, 7 or 8 LSB bits (depending on M bit values) and the parity bit.

As an example, if data=00110101, and 4 bits are set, then the parity bit is 0 if even parity is selected (PS bit in USART_CR1 = 0).

Odd parity

The parity bit is calculated to obtain an odd number of “1s” inside the frame made of the 6, 7 or 8 LSB bits (depending on M bit values) and the parity bit.

As an example, if data=00110101 and 4 bits set, then the parity bit is 1 if odd parity is selected (PS bit in USART_CR1 = 1).

Parity checking in reception

If the parity check fails, the PE flag is set in the USART_ISR register and an interrupt is generated if PEIE is set in the USART_CR1 register. The PE flag is cleared by software writing 1 to the PECF in the USART_ICR register.

Parity generation in transmission

If the PCE bit is set in USART_CR1, then the MSB bit of the data written in the data register is transmitted but is changed by the parity bit (even number of “1”s if even parity is selected (PS=0) or an odd number of “1”s if odd parity is selected (PS=1)).

22.5.11 LIN (local interconnection network) mode

This section is relevant only when LIN mode is supported. Refer to Section 22.4: USART implementation.

The LIN mode is selected by setting the LINEN bit in the USART_CR2 register. In LIN mode, the following bits must be kept cleared:

- CLKEN in the USART_CR2 register
- STOP[1:0], SCEN, HDSEL and IREN in the USART_CR3 register.

LIN transmission

The procedure explained in FIFOs and thresholds has to be applied for LIN Master transmission. It must be the same as for normal USART transmission with the following differences:

- Clear the M bit to configure 8-bit word length
- Set the LINEN bit to enter LIN mode. In this case, setting the SBKRQ bit sends 13'0 bits as a break character. Then 2 bits of value '1' are sent to allow the next start detection.

LIN reception

When LIN mode is enabled, the break detection circuit is activated. The detection is totally independent from the normal USART receiver. A break can be detected whenever it occurs, during idle state or during a frame.

When the receiver is enabled (RE=1 in USART_CR1), the circuit looks at the RX input for a start signal. The method to detect start bits is the same when searching for break characters or data. After a start bit has been detected, the circuit samples the next bits exactly like for the data (on the 8th, 9th and 10th samples). If 10 (when the LBDL = 0 in USART_CR2) or 11 (when LBDL=1 in USART_CR2) consecutive bits are detected as '0', and are followed by a delimiter character, the LBDF flag is set in USART_ISR. If the LBDIE bit=1, an interrupt is generated. Before validating the break, the delimiter is checked for as it signifies that the RX line has returned to a high level.

If a '1' is sampled before the 10 or 11 have occurred, the break detection circuit cancels the current detection and searches for a start bit again.

If the LIN mode is disabled (LINEN=0), the receiver continues working as normal USART, without taking into account the break detection.

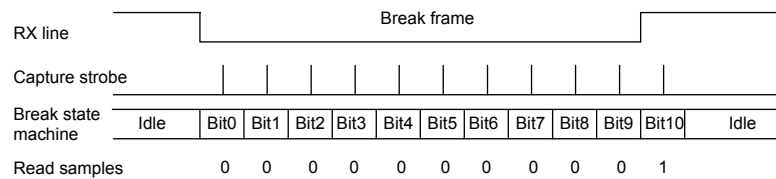
If the LIN mode is enabled (LINEN=1), as soon as a framing error occurs (i.e. stop bit detected at '0', which is the case for any break frame), the receiver stops until the break detection circuit receives either a '1', if the break word was not complete, or a delimiter character if a break has been detected.

The behavior of the break detector state machine and the break flag is shown in [Figure 134. Break detection in LIN mode \(11-bit break length - LBDL bit is set\)](#).

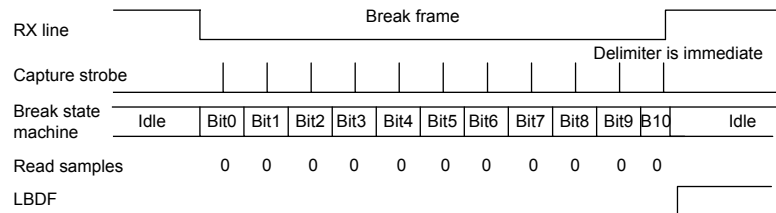
Examples of break frames are given in [Figure 135. Break detection in LIN mode vs. framing error detection](#):

Figure 134. Break detection in LIN mode (11-bit break length - LBDL bit is set)

Case 1: break signal not long enough => break discarded, LBDF is not set



Case 2: break signal just long enough => break detected, LBDF is set



Case 3: break signal long enough => break detected, LBDF is set

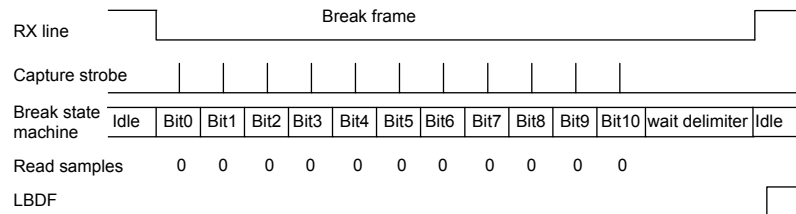
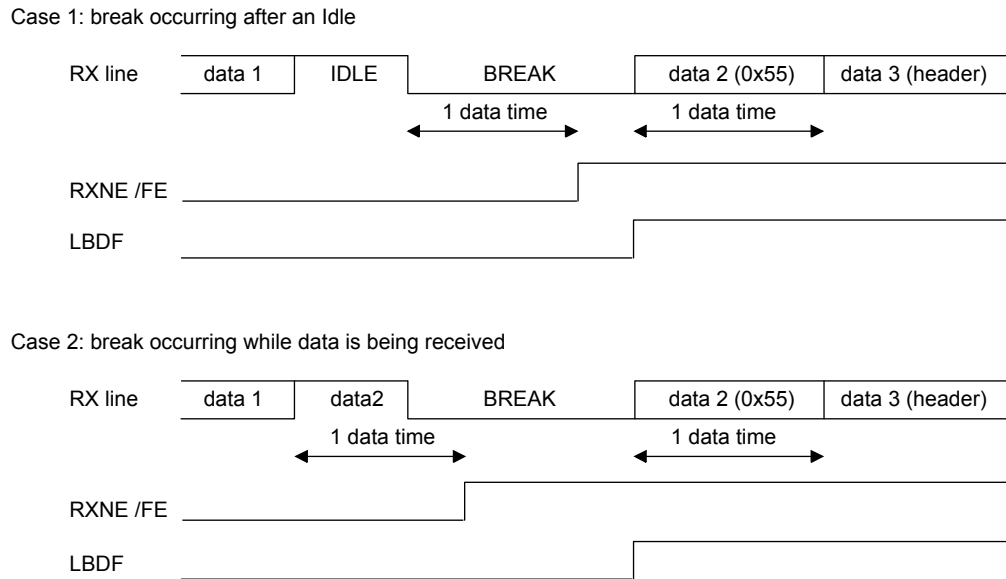


Figure 135. Break detection in LIN mode vs. framing error detection



22.5.12 USART synchronous mode

Master mode

The synchronous master mode is selected by writing the CLKEN bit in the USART_CR2 register to 1. In synchronous mode, the following bits must be kept cleared:

- LINEN bit in the USART_CR2 register
- SCEN, HDSEL and IREN bits in the USART_CR3 register.

In this mode, the USART can be used to control bidirectional synchronous serial communications in master mode. The SCLK pin is the output of the USART transmitter clock. No clock pulses are sent to the SCLK pin during start bit and stop bit. Depending on the state of the LBCL bit in the USART_CR2 register, clock pulses are, or are not, generated during the last valid data bit (address mark). The CPOL bit in the USART_CR2 register is used to select the clock polarity, and the CPHA bit in the USART_CR2 register is used to select the phase of the external clock (see [Figure 136. USART example of synchronous master transmission](#) and [Figure 137. USART data clock timing diagram M=0](#)).

During the idle state, preamble and send break, the external SCLK clock is not activated.

In synchronous master mode the USART transmitter works exactly like in asynchronous mode. But as SCLK is synchronized with TX (according to CPOL and CPHA), the data on TX is synchronous.

In this mode the USART receiver works in a different manner compared to the asynchronous mode. If RE=1, the data is sampled on SCLK (rising or falling edge, depending on CPOL and CPHA), without any oversampling. A setup and a hold time must be respected (which depends on the baud rate: 1/16 bit time).

Note: In master mode, the SCLK pin works in conjunction with the TX pin. Thus, the clock is provided only if the transmitter is enabled (TE=1) and data is being transmitted (the data register USART_DR written). This means that it is not possible to receive synchronous data without transmitting data.

Figure 136. USART example of synchronous master transmission

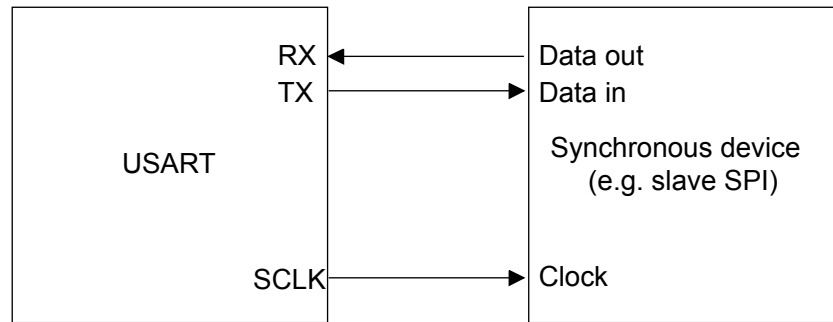


Figure 137. USART data clock timing diagram M=0

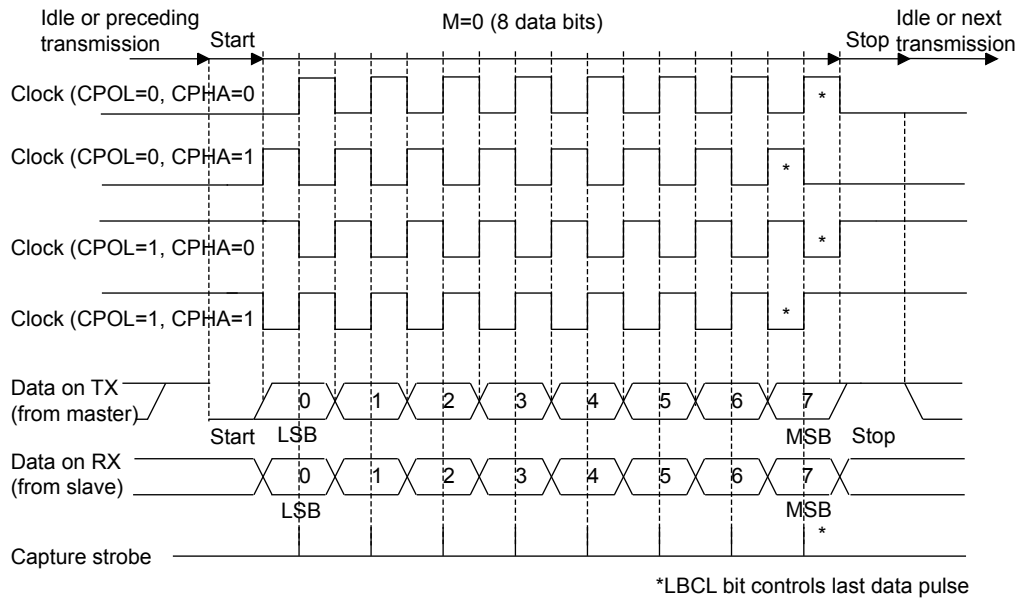
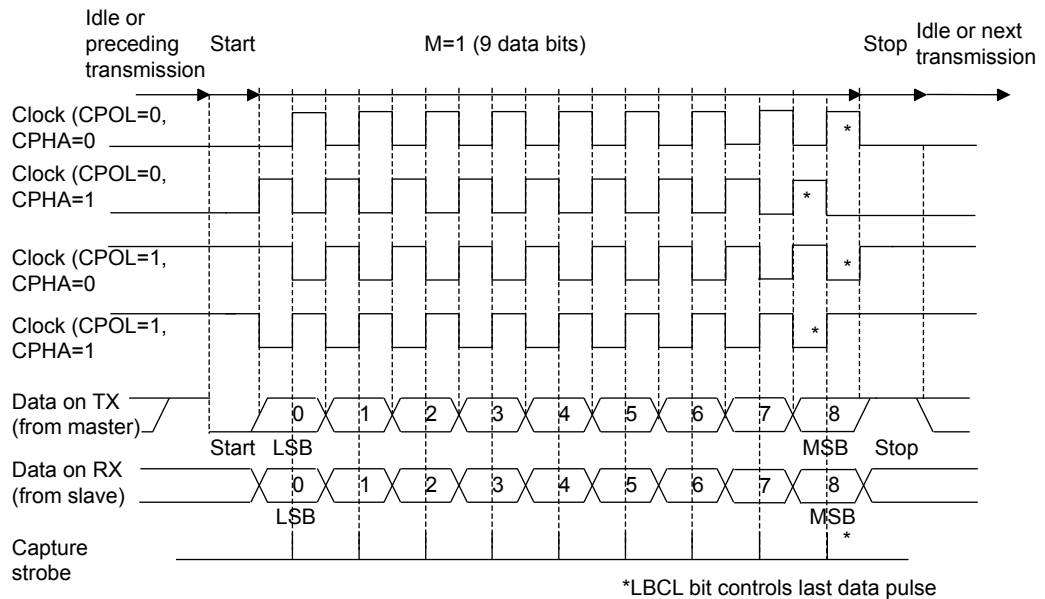
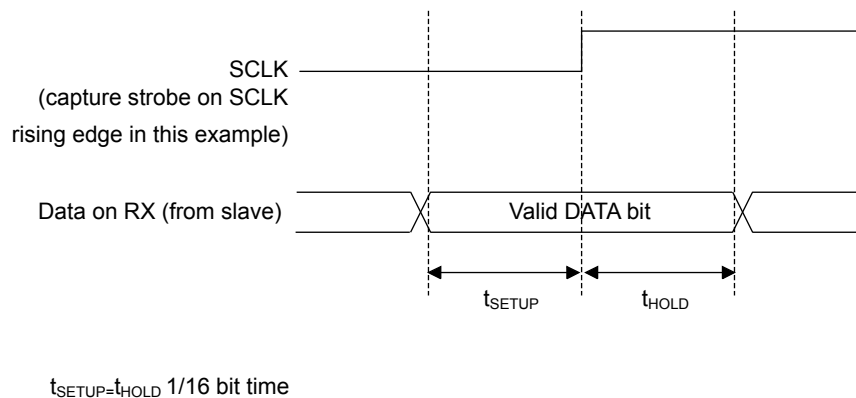


Figure 138. USART data clock timing diagram (M bits = 01)

Figure 139. RX data setup/hold time


Slave mode

The synchronous slave mode is selected by writing the SLVEN bit in the USART_CR2 register to 1. In synchronous slave mode, the following bits must be kept cleared:

- LINEN and CLKEN bits in the USART_CR2 register,
- SCEN, HDSEL and IREN bits in the USART_CR3 register.

In this mode, the USART can be used to control bidirectional synchronous serial communications in slave mode. The SCLK pin is the input of the USART in slave mode.

Note: When the peripheral is used in SPI slave mode, the peripheral clock source (*fck_pres*) must be greater than $3 \times SCLK$ input clock.

The CPOL bit in the USART_CR2 register is used to select the clock polarity, and the CPHA bit in the USART_CR2 register is used to select the phase of the external clock (see Figure 136. USART example of synchronous master transmission, Figure 137. USART data clock timing diagram M=0 and Figure 138. USART data clock timing diagram (M bits = 01)).

In slave transmission mode, an underrun error flag is available. This flag is set when the first clock for data transmission appears while the software has not yet loaded any value into USARTx_TDR.

The slave supports the hardware and software NSS management.

Slave select (NSS) pin management

Hardware or software slave select management can be set using the DIS_NSS bit in the USART_CR2 register.

- Software NSS management (DIS_NSS =1)
SPI slave is always selected and NSS input pin is ignored. The external NSS pin remains free for other application uses.
- Hardware NSS management (DIS_NSS =0)
The SPI slave selection depends on NSS input pin. The slave is selected when NSS is low and deselected when NSS high.

Note: The LBCL (used only on SPI master mode), CPOL and CPHA bits have to be selected when the USART is disabled (UE=0) to ensure that the clock pulses function correctly.

Note: When in SPI slave mode, the USART must be enabled before the master starts communication (or between frames while the clock is stable). Otherwise, if the USART slave is enabled while the master is in the middle of a frame, it becomes desynchronized with the master. The data register of the slave needs to be ready before the first edge of the communication clock or before the end of the on-going communication, otherwise SPI slave transmits zeros.

SPI slave underrun error

When an underrun error occurs, the SPI slave sends the last data until the underrun error flag is cleared in software.

The underrun flag is set at the beginning of the frame.

The underrun error flag is cleared by setting bit UDRCF in the USART_ICR register.

In underrun condition, it is allowed to write the TDR register. Clearing the underrun error would allow sending the new data.

If an underrun error occurred and there is no new data written in TDR, then the TC flag is set at the end of the frame.

Note: An underrun error may occur if the data is written in the USARTx_TDR too close to the first SCLK transmission edge. To avoid this underrun error, the USART_TDR should be written 3 UCLK cycles before the first SCLK edge.

22.5.13 Single-wire half-duplex communication

Single-wire half-duplex mode is selected by setting the HDSEL bit in the USART_CR3 register. In this mode, the following bits must be kept cleared:

- LINEN and CLKEN bits in the USART_CR2 register
- SCEN and IREN bits in the USART_CR3 register.

The USART can be configured to follow a single-wire half-duplex protocol where the TX and RX lines are internally connected. The selection between half- and full-duplex communication is made with a control bit HDSEL in USART_CR3.

As soon as HDSEL is written to 1:

- The TX and RX lines are internally connected
- The RX pin is no longer used
- The TX pin is always released when no data is transmitted. Thus, it acts as a standard I/O in idle or in reception. It means that the I/O must be configured so that TX is configured as alternate function open-drain with an external pull-up.

Apart from this, the communication protocol is similar to normal USART mode. Any conflicts on the line must be managed by software (by the use of a centralized arbiter, for instance). In particular, the transmission is never blocked by hardware and continues as soon as data are written in the data register while the TE bit is set.

Note: As the TX line and the RX lines are connected together, all the transmitted data are stored in the RX FIFO as the data received from an external device. The software has to take care to discard its "own" information after a transmit phase. In half-duplex mode, it is always wise to read back the transmitted data to check if they are correct as there is no hardware protection against possible collision between nodes. If the software does not want to have the RX FIFO storing the transmitted value then it has to disable the receiver part while transmitting (by clearing the RE bit in USART_CR1 register).

22.5.14 Receiver timeout

The receiver timeout feature is enabled by setting the RTOEN bit in the USART_CR2 control register.

The timeout duration is programmed using the RTO bit fields in the USARTx_RTOR register.

The receiver timeout counter starts counting

- From the end of the stop bit in case STOP = 00 and STOP = 11
- From the end of the second stop bit in case STOP = 10
- From the beginning of the stop bit in case STOP = 01.

When the timeout duration has elapsed, the RTOF flag in the USARTx_ISR register is set and a timeout is generated if RTOIE bit in USARTx_CR1 register is set.

22.5.15 Smartcard mode

This section is relevant only when smartcard mode is supported. Refer to [Section 22.4: USART implementation](#).

Smartcard mode is selected by setting the SCEN bit in the USART_CR3 register. In Smartcard mode, the following bits must be kept cleared:

- LINEN bit in the USART_CR2 register
- HDSEL and IREN bits in the USART_CR3 register.

The CLKEN bit may be set in order to provide a clock to the Smartcard.

The Smartcard interface is designed to support asynchronous protocol Smartcards as defined in the ISO 7816-3 standard. Both T=0 (character mode) and T=1 (block mode) are supported.

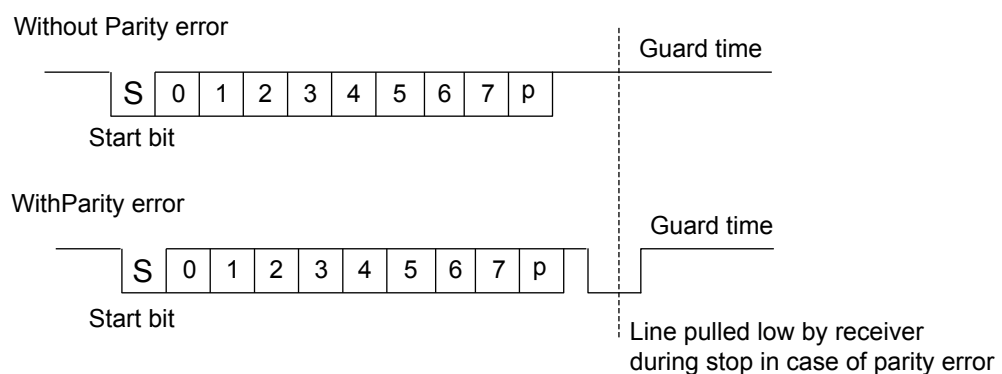
The USART should be configured as:

- 8-bit plus parity: where M=1 and PCE=1 in the USART_CR1 register
- 1.5 stop bits when transmitting and receiving data: where STOP=11 in the USART_CR2 register. It is also possible to choose the 0.5 stop bit for receiving.

In T=0 (character) mode, the parity error is indicated at the end of each character during the Guard Time period.

[Figure 140. ISO 7816-3 asynchronous protocol](#) shows examples of what can be seen on the data line with and without parity error.

Figure 140. ISO 7816-3 asynchronous protocol



When connected to a Smartcard, the TX output of the USART drives a bidirectional line that is also driven by the Smartcard. The TX pin must be configured as open drain.

Smartcard mode implements a single-wire half-duplex communication protocol.

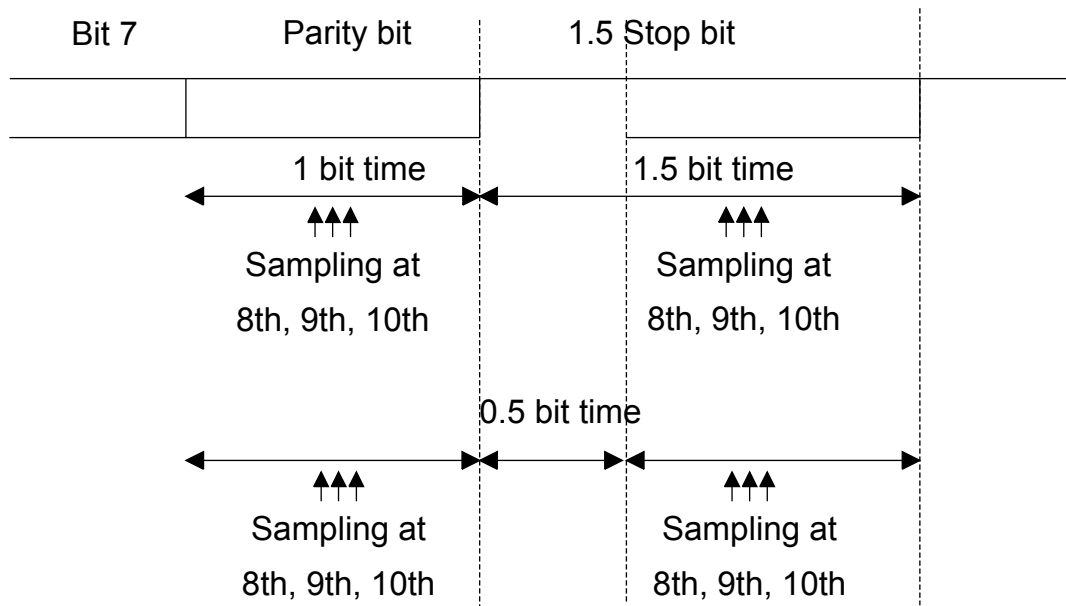
- Transmission of data from the transmit shift register is guaranteed to be delayed by a minimum of 1/2 baud clock. In a normal operation a full transmit shift register starts shifting on the next baud clock edge. In Smartcard mode this transmission is further delayed by a guaranteed 1/2 baud clock.

- In transmission, if the Smartcard detects a parity error, it signals this condition to the USART by driving the line low (NACK). This NACK signal (pulling transmit line low for 1 baud clock) causes a framing error on the transmitter side (configured with 1.5 stop bits). The USART can handle automatic re-sending of data according to the protocol. The number of retries is programmed in the SCARCNT bit field. If the USART continues receiving the NACK after the programmed number of retries, it stops transmitting and signals the error as a framing error. The TXE bit (TXFNF bit in case FIFO mode is enabled) may be set using the TXFRQ bit in the USART_RQR register.
- Smartcard auto-retry in transmission: a delay of 2.5 baud periods is inserted between the NACK detection by the USART and the start bit of the repeated character. The TC bit is set immediately at the end of reception of the last repeated character (no Guard Time). If the software wants to repeat it again, it must ensure the minimum 2 baud periods required by the standard.
- If a parity error is detected during reception of a frame programmed with a 1.5 stop bit period, the transmit line is pulled low for a baud clock period after the completion of the receive frame. This is to indicate to the Smartcard that the data transmitted to the USART has not been correctly received. A parity error is NACKed by the receiver if the NACK control bit is set, otherwise a NACK is not transmitted (to be used in T=1 mode). If the received character is erroneous, the RXNE (RXFNE in case FIFO mode is enabled)/ receive DMA request is not activated. According to the protocol specification, the Smartcard must resend the same character. If the received character is still erroneous after the maximum number of retries specified in the SCARCNT bit field, the USART stops transmitting the NACK and signals the error as a parity error.
- Smartcard auto-retry in reception: the BUSY flag remains set if the USART NACKs the card but the card does not repeat the character.
- In transmission, the USART inserts the Guard Time (as programmed in the Guard Time register) between two successive characters. As the Guard Time is measured after the stop bit of the previous character, the GT[7:0] register must be programmed to the desired CGT (Character Guard Time, as defined by the 7816-3 specification) minus 12 (the duration of one character).
- The assertion of the TC flag can be delayed by programming the Guard Time register. In normal operation, TC is asserted when the transmit shift register is empty and no further transmit requests are outstanding. In Smartcard mode an empty transmit shift register triggers the Guard Time counter to count up to the programmed value in the Guard Time register. TC is forced low during this time. When the Guard Time counter reaches the programmed value TC is asserted high. The TCBGT flag can be used to detect the end of data transfer without waiting for Guard Time completion. This flag is set just after the end of frame transmission and if no NACK has been received from the card.
- The deassertion of TC flag is unaffected by Smart card mode.
- If a framing error is detected on the transmitter end (due to a NACK from the receiver), the NACK is not detected as a start bit by the receive block of the transmitter. According to the ISO protocol, the duration of the received NACK can be 1 or 2 baud clock periods.
- On the receiver side, if a parity error is detected and a NACK is transmitted the receiver does not detect the NACK as a start bit.

Note: A break character is not significant in smartcard mode. A 0x00 data with a framing error is treated as data and not as a break.

Note: No Idle frame is transmitted when toggling the TE bit. The Idle frame (as defined for the other configurations) is not defined by the ISO protocol.

Figure 141. Parity error detection using 1.5 stop bits details how the NACK signal is sampled by the USART. In this example the USART is transmitting data and is configured with 1.5 stop bits. The receiver part of the USART is enabled in order to check the integrity of the data and the NACK signal.

Figure 141. Parity error detection using 1.5 stop bits


The USART can provide a clock to the Smartcard through the SCLK output. In Smartcard mode, SCLK is not associated to the communication but is simply derived from the internal peripheral input clock through a 5-bit prescaler. The division ratio is configured in the prescaler register USART_ . SCLK frequency can be programmed from $f_{CKPRES}/2$ to $f_{CKPRES}/62$, where f_{CKPRES} is the peripheral input clock divided by a programmed prescaler.

Block mode (T=1)

In T=1 (block) mode, the parity error transmission can be deactivated by clearing the NACK bit in the UART_CR3 register.

When requesting a read from the Smartcard, in block mode, the software must program the RTOR register to the BWT (block wait time) - 11 value. If no answer is received from the card before the expiration of this period, a timeout interrupt is generated. If the first character is received before the expiration of the period, it is signaled by the RXNE/RXFNE interrupt.

Note: The RXNE/RXFNE interrupt must be enabled even when using the USART in DMA mode to read from the Smartcard in block mode. In parallel, the DMA must be enabled only after the first received byte.

After the reception of the first character (RXNE/RXFNE interrupt), the RTO register must be programmed to the CWT (character wait time) - 11 value, in order to allow the automatic check of the maximum wait time between two consecutive characters. This time is expressed in baudtime units. If the Smartcard does not send a new character in less than the CWT period after the end of the previous character, the USART signals this to the software through the RTOF flag and interrupt (when RTOIE bit is set).

Note: As in the Smartcard protocol definition, the BWT/CWT values should be defined from the beginning (start bit) of the last character. The RTO register must be programmed to BWT - 11 or CWT - 11, respectively, taking into account the length of the last character itself.

A block length counter is used to count all the characters received by the USART. This counter is reset when the USART is transmitting. The length of the block is communicated by the Smartcard in the third byte of the block (prologue field). This value must be programmed to the BLEN field in the USART_RTOR register. When using DMA mode, before the start of the block, this register field must be programmed to the minimum value (0x0). With this value, an interrupt is generated after the 4th received character. The software must read the LEN field (third byte), its value must be read from the receive buffer.

In interrupt driven receive mode, the length of the block may be checked by software or by programming the BLEN value. However, before the start of the block, the maximum value of BLEN (0xFF) may be programmed. The real value is programmed after the reception of the third character.

If the block is using the LRC longitudinal redundancy check (1 epilogue byte), the $BLEN=LEN$. If the block is using the CRC mechanism (2 epilog bytes), $BLEN=LEN+1$ must be programmed. The total block length (including prologue, epilogue and information fields) equals $BLEN+4$. The end of the block is signaled to the software through the EOB flag and interrupt (when EOBIE bit is set). In case of an error in the block length, the end of the block is signaled by the RTO interrupt (character wait time overflow).

Note: The error checking code (LRC/CRC) must be computed/verified by software.

Direct and inverse convention

The Smartcard protocol defines two conventions: direct and inverse.

The direct convention is defined as: LSB first, logical bit value of 1 corresponds to a H state of the line and parity is even. In order to use this convention, the following control bits must be programmed: $MSBFIRST=0$, $DATAINV=0$ (default values).

The inverse convention is defined as: MSB first, logical bit value 1 corresponds to an L state on the signal line and parity is even. In order to use this convention, the following control bits must be programmed: $MSBFIRST=1$, $DATAINV=1$.

Note: When logical data values are inverted ($0=H$, $1=L$), the parity bit is also inverted in the same way.

In order to recognize the card convention, the card sends the initial character, TS, as the first character of the ATR (answer to reset) frame. The two possible patterns for the TS are: LHHH LLL LLH and LHHH HHH LLH.

- (H) LHHH LLL LLH sets up the inverse convention: state L encodes value 1 and moment 2 conveys the most significant bit (MSB first). When decoded by inverse convention, the conveyed byte is equal to '3F'.
- (H) LHHH HHH LLH sets up the direct convention: state H encodes value 1 and moment 2 conveys the least significant bit (LSB first). When decoded by direct convention, the conveyed byte is equal to '3B'.

Character parity is correct when there is an even number of bits set to 1 in the nine moments 2 to 10.

As the USART does not know which convention is used by the card, it needs to be able to recognize either pattern and act accordingly. The pattern recognition is not done in hardware, but through a software sequence. Moreover, supposing that the USART is configured in direct convention (default) and the card answers with the inverse convention, $TS = LHHH LLL LLH \Rightarrow$ the USART received character is '03' and the parity is odd.

Therefore, two methods are available for TS pattern recognition:

Method 1

The USART is programmed in standard Smartcard mode/direct convention. In this case, the TS pattern reception generates a parity error interrupt and error signal to the card.

- The parity error interrupt informs the software that the card did not answer correctly in direct convention. Software then reprograms the USART for inverse convention.
- In response to the error signal, the card retries the same TS character, and it is correctly received this time, by the reprogrammed USART.

Alternatively, in answer to the parity error interrupt, the software may decide to reprogram the USART and also to generate a new reset command to the card, then wait again for the TS.

Method 2

The USART is programmed in 9-bit/no-parity mode, no bit inversion. In this mode it receives either of the two TS patterns as:

- (H) LHHH LLL LLH = 0x103 -> inverse convention to be chosen
- (H) LHHH HHH LLH = 0x13B -> direct convention to be chosen.

The software checks the received character against these two patterns and, if either of them match, then programs the USART accordingly for the next character reception.

If neither of the two are recognized, a card reset may be generated in order to restart the negotiation.

22.5.16 IrDA SIR ENDEC block

This section is relevant only when IrDA mode is supported. Refer to [Section 22.4: USART implementation](#).

IrDA mode is selected by setting the IREN bit in the USART_CR3 register. In IrDA mode, the following bits must be kept cleared:

- LINEN, STOP and CLKEN bits in the USART_CR2 register
- SCEN and HDSEL bits in the USART_CR3 register.

The IrDA SIR physical layer specifies use of a return to zero, inverted (RZI) modulation scheme that represents logic 0 as an infrared light pulse (see [Figure 142. IrDA SIR ENDEC - block diagram](#)).

The SIR transmit encoder modulates the non-return-to-zero (NRZ) transmit bit stream output from USART. The output pulse stream is transmitted to an external output driver and infrared LED. USART supports only the bit rates up to 115.2 Kbps for the SIR ENDEC. In normal mode the transmitted pulse width is specified as 3/16 of a bit period.

The SIR receive decoder demodulates the return-to-zero bit stream from the infrared detector and outputs the received NRZ serial bit stream to the USART. The decoder input is normally high (marking state) in the idle state. The transmit encoder output has the opposite polarity to the decoder input. A start bit is detected when the decoder input is low.

- IrDA is a half-duplex communication protocol. If the transmitter is busy (when the USART is sending data to the IrDA encoder), any data on the IrDA receive line is ignored by the IrDA decoder and if the receiver is busy (when the USART is receiving decoded data from the USART), data on the TX from the USART to IrDA is not encoded. While receiving data, transmission should be avoided as the data to be transmitted could be corrupted.
- A 0 is transmitted as a high pulse and a 1 is transmitted as a 0. The width of the pulse is specified as 3/16th of the selected bit period in normal mode (see [Figure 143. IrDA data modulation \(3/16\) - normal mode](#)).
- The SIR decoder converts the IrDA compliant receive signal into a bit stream for USART.
- The SIR receive logic interprets a high state as a logic one and low pulses as logic zeros.
- The transmit encoder output has the opposite polarity to the decoder input. The SIR output is in low state when Idle.
- The IrDA specification requires the acceptance of pulses greater than 1.41 μ s. The acceptable pulse width is programmable. Glitch detection logic on the receiver end filters out pulses of width less than 2 PSC periods (PSC is the prescaler value programmed in the USART_GTPR). Pulses of width less than 1 PSC period are always rejected, but those of width greater than one and less than two periods may be accepted or rejected, those greater than 2 periods are accepted as a pulse. The IrDA encoder/decoder does not work when PSC=0.
- The receiver can communicate with a low-power transmitter.
- In IrDA mode, the STOP bits in the USART_CR2 register must be configured to "1 stop bit".

IrDA low-power mode

Transmitter

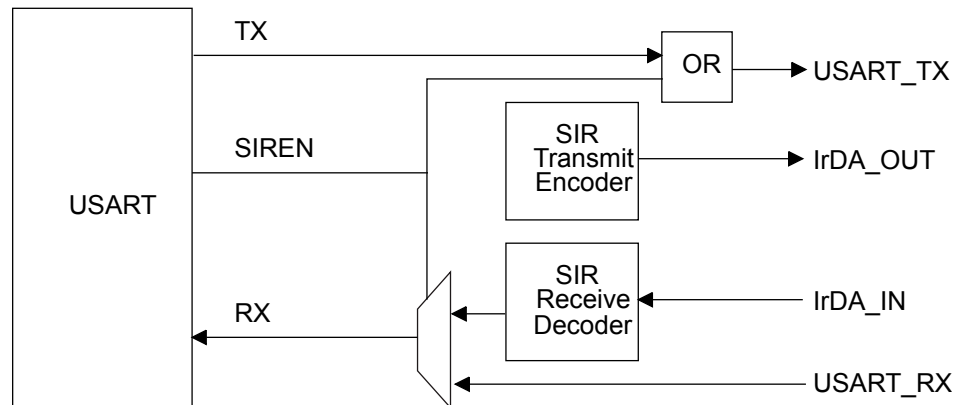
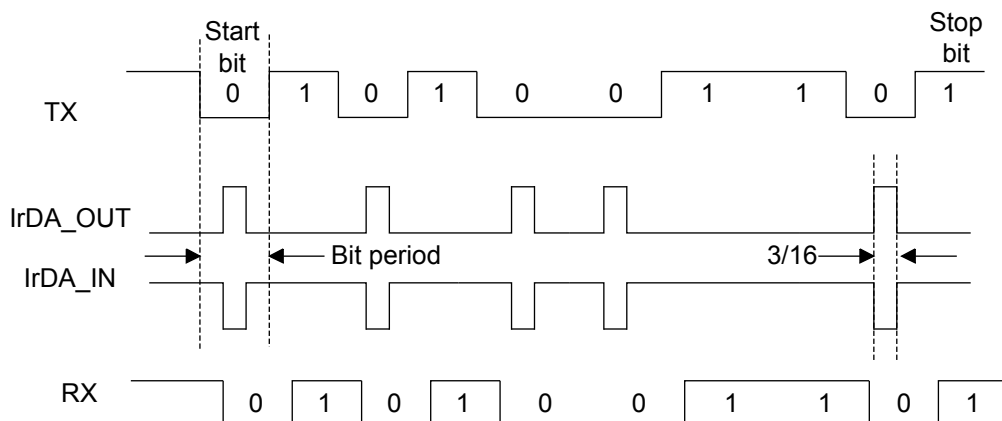
In low-power mode the pulse width is not maintained at 3/16 of the bit period. Instead, the width of the pulse is 3 times the low-power baud rate which can be a minimum of 1.42 MHz. Generally, this value is 1.8432 MHz (1.42 MHz < PSC < 2.12 MHz). A low-power mode programmable divisor divides the system clock to achieve this value.

Receiver:

Receiving in low-power mode is similar to receiving in normal mode. For glitch detection the USART should discard pulses of duration shorter than 1/PSC. A valid low is accepted only if its duration is greater than 2 periods of the IrDA low-power baud clock (PSC value in the USART_GTPR).

Note: A pulse of width less than two and greater than one PSC period(s) may or may not be rejected.

Note: The receiver set-up time should be managed by software. The IrDA physical layer specification specifies a minimum of 10 ms delay between transmission and reception (IrDA is a half-duplex protocol).

Figure 142. IrDA SIR ENDEC - block diagram

Figure 143. IrDA data modulation (3/16) - normal mode


22.5.17 Continuous communication using DMA

The USART is capable of performing continuous communication using the DMA. The DMA requests for Rx buffer and Tx buffer are generated independently.

Note: Refer to [Section 22.4: USART implementation](#) to determine if the DMA mode is supported. If DMA is not supported, use the USART as explained in [Section 22.5.4: Receiver](#). To perform continuous communication, when FIFO is disabled, you can clear the TXE/RXNE flags in the USART_ISR register.

Transmission using DMA

DMA mode can be enabled for transmission by setting DMAT bit in the USART_CR3 register. Data are loaded from an SRAM area configured using the DMA peripheral (refer to [Section 10: DMA controller \(DMA\)](#)) to the USART_TDR register whenever the TXE flag (TXFNF flag if FIFO mode is enabled) is set. To map a DMA channel for USART transmission, use the following procedure (x denotes the channel number):

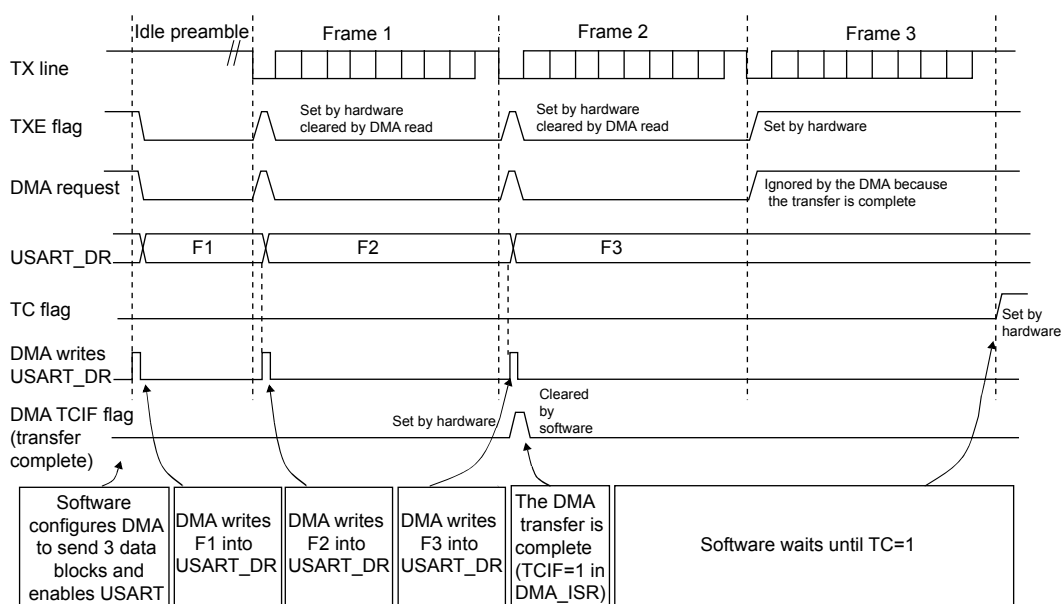
1. Write the USART_TDR register address in the DMA control register to configure it as the destination of the transfer. The data are moved to this address from memory after each TXE (or TXFNF if FIFO mode is enabled) event.
2. Write the memory address in the DMA control register to configure it as the source of the transfer. The data is loaded into the USART_TDR register from this memory area after each TXE (or TXFNF if FIFO mode is enabled) event.
3. Configure the total number of bytes to be transferred to the DMA control register.

4. Configure the channel priority in the DMA register.
5. Configure DMA interrupt generation after half/ full transfer as required by the application.
6. Clear the TC flag in the USART_ISR register by setting the TCCF bit in the USART_ICR register.
7. Activate the channel in the DMA register.

When the number of data transfers programmed in the DMA controller is reached, the DMA controller generates an interrupt on the DMA channel interrupt vector.

In transmission mode, once the DMA has written all the data to be transmitted (the TCIF flag is set in the DMA_ISR register), the TC flag can be monitored to make sure that the USART communication is complete. This is required to avoid corrupting the last transmission before disabling the USART or entering Stop mode. Software must wait until TC=1. The TC flag remains cleared during all data transfers and it is set by hardware at the end of transmission of the last frame.

Figure 144. Transmission using DMA



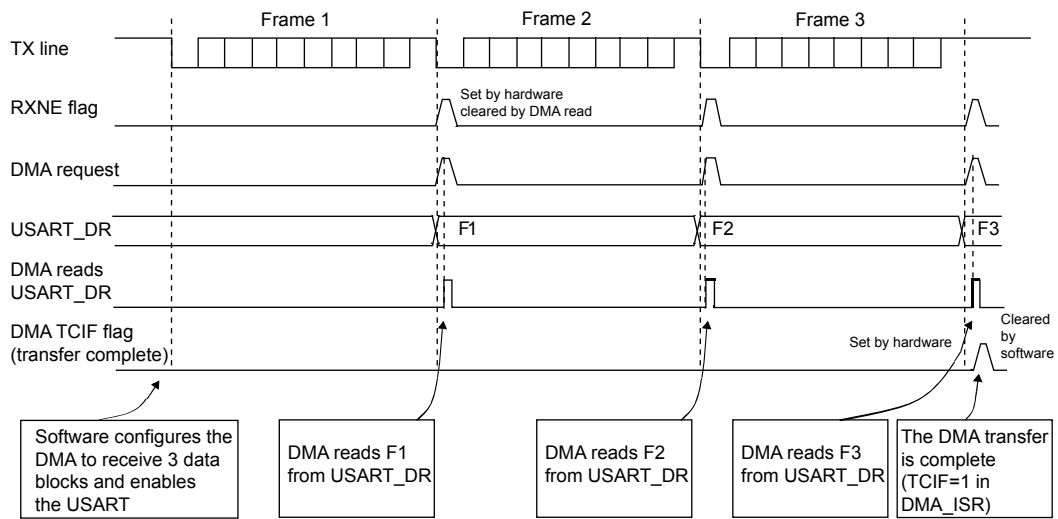
Note: When FIFO management is enabled, the DMA request is triggered by transmit FIFO not full (i.e. TXFNF = 1).

Reception using DMA

DMA mode can be enabled for reception by setting the DMAR bit in USART_CR3 register. Data is loaded from the USART_RDR register to an SRAM area configured using the DMA peripheral (refer to [Section 10: DMA controller \(DMA\)](#)) whenever a data byte is received. To map a DMA channel for USART reception, use the following procedure:

1. Write the USART_RDR register address in the DMA control register to configure it as the source of the transfer. The data is moved from this address to the memory after each RXNE (RXFNE in case FIFO mode is enabled) event.
2. Write the memory address in the DMA control register to configure it as the destination of the transfer. The data is loaded from USART_RDR to this memory area after each RXNE (RXFNE in case FIFO mode is enabled) event.
3. Configure the total number of bytes to be transferred to the DMA control register.
4. Configure the channel priority in the DMA control register.
5. Configure interrupt generation after half/ full transfer as required by the application.
6. Activate the channel in the DMA control register.

When the number of data transfers programmed in the DMA controller is reached, the DMA controller generates an interrupt on the DMA channel interrupt vector.

Figure 145. Reception using DMA


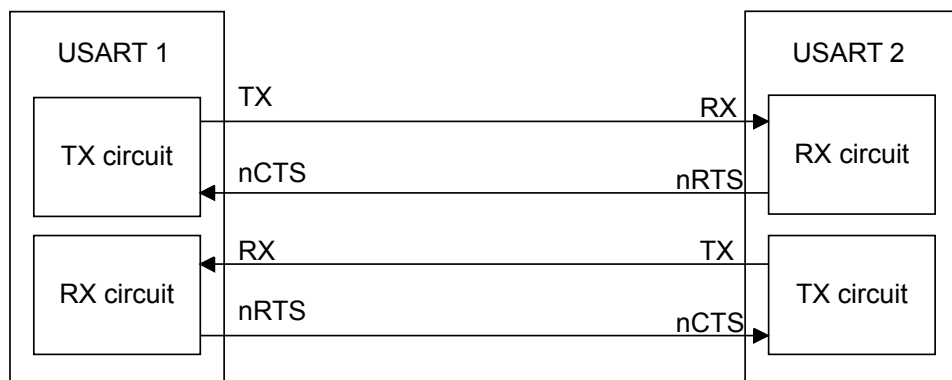
Note: When FIFO management is enabled, the DMA request is triggered by ReceiveFIFO not empty (i.e. RXFNE = 1).

Error flagging and interrupt generation in multi-buffer communication

In multi-buffer communication if any error occurs during the transaction the error flag is asserted after the current byte. An interrupt is generated if the interrupt enable flag is set. For framing error, overrun error and noise flag which are asserted with RXNE (RXFNE in case FIFO mode is enabled) in single byte reception, there is a separate error flag interrupt enable bit (EIE bit in the USART_CR3 register), which, if set, enables an interrupt after the current byte if any of these errors occur.

22.5.18 RS232 hardware flow control and RS485 driver enable

It is possible to control the serial data flow between 2 devices by using the nCTS input and the nRTS output. Figure 146. Hardware flow control between 2 USARTs shows how to connect 2 devices in this mode.

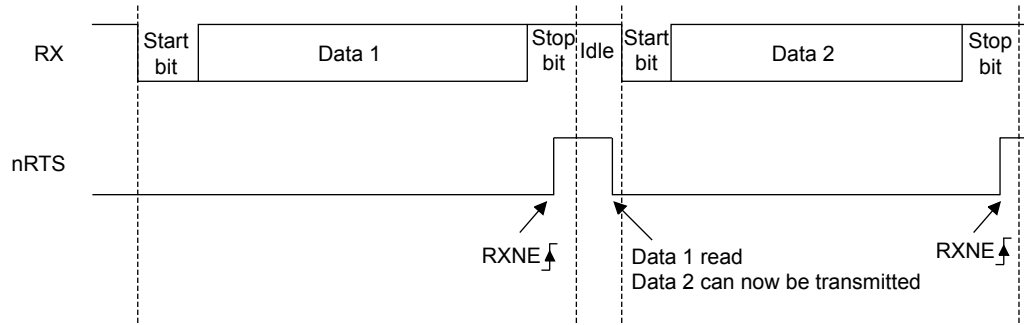
Figure 146. Hardware flow control between 2 USARTs


RS232 RTS and CTS flow control can be enabled independently by writing the RTSE and CTSE bits respectively to 1 (in the USART_CR3 register).

RS232 RTS flow control

If the RTS flow control is enabled (RTSE=1), then nRTS is asserted (tied low) as long as the USART receiver is ready to receive new data. When the receive register is full, nRTS is deasserted, indicating that the transmission is expected to stop at the end of the current frame. [Figure 147. RS232 RTS flow control](#) shows an example of communication with RTS flow control enabled.

Figure 147. RS232 RTS flow control



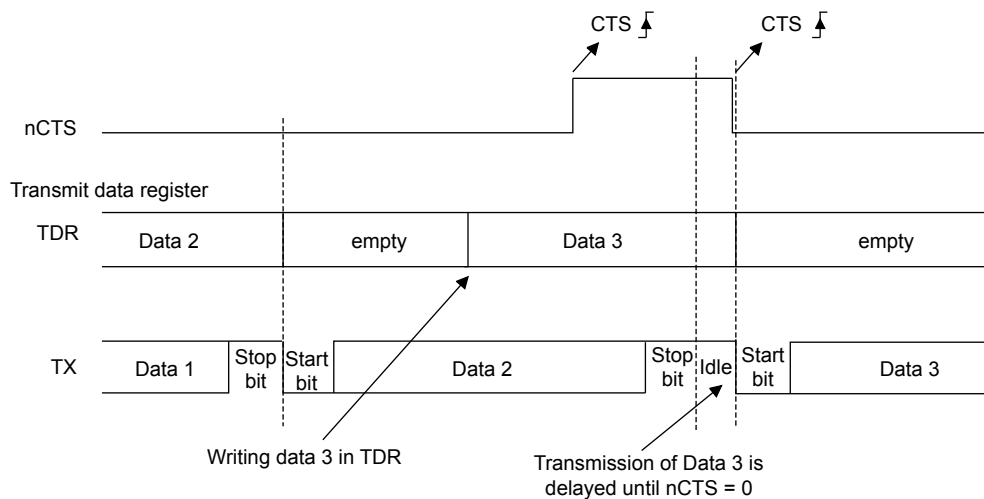
Note: When FIFO mode is enabled, nRTS is deasserted only when RXFIFO is full.

RS232 CTS flow control

If the CTS flow control is enabled (CTSE=1), then the transmitter checks the nCTS input before transmitting the next frame. If nCTS is asserted (tied low), then the next data is transmitted (assuming that data is to be transmitted, in other words, if TXE/TXFE=0), otherwise the transmission does not occur. When nCTS is deasserted during a transmission, the current transmission is completed before the transmitter stops.

When CTSE=1, the CTSIF status bit is automatically set by hardware as soon as the CTS input toggles. It indicates when the receiver becomes ready or not ready for communication. An interrupt is generated if the CTSIE bit in the USART_CR3 register is set. [Figure 148. RS232 CTS flow control](#) shows an example of communication with CTS flow control enabled.

Figure 148. RS232 CTS flow control



Note: For correct behavior, nCTS must be asserted at least 3 USART clock source periods before the end of the current character. In addition it should be noted that the CTSCF flag may not be set for pulses shorter than 2 x PCLK periods.

RS485 driver enable

The driver enable feature is enabled by setting bit DEM in the USART_CR3 control register. This allows the user to activate the external transceiver control, through the DE (driver enable) signal. The assertion time is the time between the activation of the DE signal and the beginning of the START bit. It is programmed using the DEAT [4:0] bit fields in the USART_CR1 control register. The deassertion time is the time between the end of the last stop bit, in a transmitted message, and the de-activation of the DE signal. It is programmed using the DEDT [4:0] bit fields in the USART_CR1 control register. The polarity of the DE signal can be configured using the DEP bit in the USART_CR3 control register.

In USART, the DEAT and DEDT are expressed in sample time units (1/8 or 1/16 bit time, depending on the oversampling rate).

22.6 USART interrupts

Table 102. USART interrupt requests

| Interrupt event | Event flag | Enable control bit |
|---|-----------------|--------------------|
| Transmit data register empty | TXE | TXEIE |
| Transmit FIFO not full | TXFNF | TXFNFIE |
| Transmit FIFO empty | TXFE | TXFEIE |
| CTS interrupt | CTSIF | CTSIE |
| Transmission complete | TC | TCIE |
| Transmission complete before Guard Time | TCBGT | TCBGTIE |
| Receive data register not empty (data ready to be read) | RXNE | RXNEIE |
| Receive FIFO not empty | RXFNE | RXFNEIE |
| Receive FIFO full | RXFF | RXFFIE |
| Overrun error detected | ORE | RXNEIE/RXF-NEIE |
| Idle line detected | IDLE | IDLEIE |
| Parity error | PE | PEIE |
| LIN break | LBDF | LBDIE |
| Noise flag, overrun error and framing error in multi-buffer communication | NF or ORE or FE | EIE |
| Character match | CMF | CMIE |
| Receiver timeout error | RTOF | RTOIE |
| End of block | EOBF | EOBIE |
| SPI slave underrun error | UDR | EIE |

These events generate an interrupt if the corresponding enable control bit is set.

22.7 USART registers

Refer to [Section 1.5: Acronyms](#) for a list of abbreviations used in register descriptions.

22.7.1 Control register 1 (USARTx_CR1)

Address offset: 0x00

Reset value: 0x0000

| | | | | | | | | | | | | | | | |
|--------|--------|--------|----|-------|-------|-----------|------|--------------------|------|--------------------|--------|----|----|------|----|
| 31 | 30 | 29 | 28 | 27 | 26 | 25 | 24 | 23 | 22 | 21 | 20 | 19 | 18 | 17 | 16 |
| RXFFIE | TXFEIE | FIFOEN | M1 | EOBIE | RTOIE | DEAT[4:0] | | | | DEDT[4:0] | | | | | |
| rw | rw | rw | rw | rw | rw | rw | rw | rw | rw | rw | rw | rw | rw | rw | rw |
| 15 | 14 | 13 | 12 | 11 | 10 | 9 | 8 | 7 | 6 | 5 | 4 | 3 | 2 | 1 | 0 |
| OVER8 | CMIE | MME | M0 | WAKE | PCE | PS | PEIE | TXEIE/ TXFNFI E | TCIE | RXNEIE /RXFNEIE | IDLEIE | TE | RE | Res. | UE |
| rw | rw | rw | rw | rw | rw | rw | rw | rw | rw | rw | rw | rw | rw | | rw |

| | |
|--------|--|
| Bit 31 | <p>RXFFIE : RXFIFO full interrupt enable. This bit is set and cleared by software.</p> <p>0: Interrupt is inhibited</p> <p>1: A USART interrupt is generated when RXFF=1 in the USART_ISR register</p> <p>Note: When FIFO mode is disabled, this bit is reserved and must be kept at reset value.</p> |
| Bit 30 | <p>TXFEIE : TXFIFO empty interrupt enable. This bit is set and cleared by software.</p> <p>0: Interrupt is inhibited</p> <p>1: A USART interrupt is generated when TXFE=1 in the USART_ISR register</p> <p>Note: When FIFO mode is disabled, this bit is reserved and must be kept at reset value.</p> |
| Bit 29 | <p>FIFOEN : FIFO mode enable.</p> <p>This bit is set and cleared by software.</p> <p>0: FIFO mode is disabled</p> <p>1: FIFO mode is enabled</p> <p>This bit field can only be written when the USART is disabled (UE=0).</p> <p>Note: FIFO mode can be used on standard UART communication, in SPI master/slave mode and in smartcard modes only. It must not be enabled in IrDA and LIN modes.</p> |
| Bit 28 | <p>M1: Word length.</p> <p>This bit, with bit 12 (M0) determines the word length. It is set or cleared by software.</p> <p>M[1:0] = 00: 1 Start bit, 8 data bits, n Stop bit</p> <p>M[1:0] = 01: 1 Start bit, 9 data bits, n Stop bit</p> <p>M[1:0] = 10: 1 Start bit, 7 Data bits, n Stop bit</p> <p>This bit can only be written when the USART is disabled (UE=0).</p> <p>Note: In 7-bits data length mode, the smartcard mode, LIN master mode and auto baud rate (0x7F and 0x55 frames detection) are not supported.</p> |
| Bit 27 | <p>EOBIE: End of block interrupt enable. This bit is set and cleared by software.</p> <p>0: Interrupt is inhibited</p> <p>1: A USART interrupt is generated when the EOB flag is set in the USART_ISR register</p> <p>Note: If the USART does not support Smartcard mode, this bit is reserved and forced by hardware to '0'. Refer to Section 22.4: USART implementation .</p> |
| Bit 26 | <p>RTOIE: Receiver timeout interrupt enable. This bit is set and cleared by software.</p> <p>0: Interrupt is inhibited</p> <p>1: A USART interrupt is generated when the RTOF bit is set in the USART_ISR register</p> |

| | |
|------------|--|
| | <p>Note: If the USART does not support the Receiver timeout feature, this bit is reserved and forced by hardware to '0'. Section 22.4: USART implementation.</p> |
| Bits 25:21 | <p>DEAT[4:0]: Driver enable assertion time.</p> <p>This 5-bit value defines the time between the activation of the DE (driver enable) signal and the beginning of the start bit. It is expressed in sample time units (1/8 or 1/16 bit time, depending on the oversampling rate).</p> <p>This bit field can only be written when the USART is disabled (UE=0).</p> <p>Note: If the driver enable feature is not supported, this bit is reserved and must be kept cleared.</p> <p>Refer to Section 22.4: USART implementation.</p> |
| Bits 20:16 | <p>DEDT[4:0]: Driver enable deassertion time.</p> <p>This 5-bit value defines the time between the end of the last stop bit, in a transmitted message, and the de-activation of the DE (driver enable) signal. It is expressed in sample time units (1/8 or 1/16 bit time, depending on the oversampling rate).</p> <p>If the USART_TDR register is written during the DEDT time, the new data is transmitted only when the DEDT and DEAT times have both elapsed.</p> <p>This bit field can only be written when the USART is disabled (UE=0).</p> <p>Note: If the driver enable feature is not supported, this bit is reserved and must be kept cleared. Refer to Section 22.4: USART implementation.</p> |
| Bit 15 | <p>OVER8: Oversampling mode.</p> <p>0: Oversampling by 16 1: Oversampling by 8</p> <p>This bit can only be written when the USART is disabled (UE=0).</p> <p>Note: In LIN, IrDA and Smartcard modes, this bit must be kept cleared.</p> |
| Bit 14 | <p>CMIE: Character match interrupt enable. This bit is set and cleared by software.</p> <p>0: Interrupt is inhibited 1: A USART interrupt is generated when the CMF bit is set in the USART_ISR register</p> |
| Bit 13 | <p>MME: Mute mode enable.</p> <p>This bit activates the mute mode function of the USART. When set, the USART can switch between the active and mute modes, as defined by the WAKE bit. It is set and cleared by software.</p> <p>0: Receiver in active mode permanently 1: Receiver can switch between mute mode and active mode</p> |
| Bit 12 | <p>M0: Word length.</p> <p>This bit, with bit 28 (M1) determines the word length. It is set or cleared by software.</p> <p>See bit 28 (M1) description.</p> <p>This bit can only be written when the USART is disabled (UE=0).</p> |
| Bit 11 | <p>WAKE: Receiver wakeup method.</p> <p>This bit determines the USART wakeup method from mute mode. It is set or cleared by software.</p> <p>0: Idle line 1: Address mark</p> <p>This bit field can only be written when the USART is disabled (UE=0).</p> |
| Bit 10 | <p>PCE: Parity control enable.</p> <p>This bit selects the hardware parity control (generation and detection). When the parity control is enabled, the computed parity is inserted at the MSB position (9th bit if M=1; 8th bit if M=0) and parity is checked on the received data. This bit is set and cleared by software. Once it is set, PCE is active after the current byte (in reception and in transmission).</p> <p>0: Parity control disabled 1: Parity control enabled</p> <p>This bit field can only be written when the USART is disabled (UE=0).</p> |
| Bit 9 | <p>PS: Parity selection.</p> |

| | |
|-------|--|
| | <p>This bit selects the odd or even parity when the parity generation/detection is enabled (PCE bit set). It is set and cleared by software. The parity is selected after the current byte.</p> <p>0: Even parity 1: Odd parity</p> <p>This bit field can only be written when the USART is disabled (UE=0).</p> |
| Bit 8 | <p>PEIE: PE interrupt enable.</p> <p>This bit is set and cleared by software.</p> <p>0: Interrupt is inhibited 1: A USART interrupt is generated whenever PE=1 in the USART_ISR register</p> |
| Bit 7 | <p>TXEIE/TXFNFIE: Transmit data register empty/TXFIFO not full interrupt enable.</p> <p>This bit is set and cleared by software.</p> <p>0: Interrupt is inhibited 1: A USART interrupt is generated whenever TXE/TXFNF=1 in the USART_ISR register</p> |
| Bit 6 | <p>TCIE: Transmission complete interrupt enable. This bit is set and cleared by software.</p> <p>0: Interrupt is inhibited 1: A USART interrupt is generated whenever TC=1 in the USART_ISR register</p> |
| Bit 5 | <p>RXNEIE/RXFNEIE: Receive data register not empty/RXFIFO not empty interrupt enable.</p> <p>This bit is set and cleared by software.</p> <p>0: Interrupt is inhibited 1: A USART interrupt is generated whenever ORE=1 or RXNE/RXFNE=1 in the USART_ISR register</p> |
| Bit 4 | <p>IDLEIE: IDLE interrupt enable.</p> <p>This bit is set and cleared by software.</p> <p>0: Interrupt is inhibited 1: A USART interrupt is generated whenever IDLE=1 in the USART_ISR register</p> |
| Bit 3 | <p>TE: Transmitter enable.</p> <p>This bit enables the transmitter. It is set and cleared by software.</p> <p>0: Transmitter is disabled 1: Transmitter is enabled</p> <p>Note: During transmission, a “0” pulse on the TE bit (“0” followed by “1”) sends a preamble (idleline) after the current word, except in Smartcard mode. In order to generate an idle character, the TE must not be immediately written to 1. In order to ensure the required duration, the software can poll the TEACK bit in the USART_ISR register.</p> <p>In Smartcard mode, when TE is set there is a 1 bit-time delay before the transmission starts.</p> |
| Bit 2 | <p>RE: Receiver enable.</p> <p>This bit enables the receiver. It is set and cleared by software.</p> <p>0: Receiver is disabled 1: Receiver is enabled and begins searching for a start bit</p> |
| Bit 1 | <p>Reserved, must be kept at reset value.</p> |
| Bit 0 | <p>UE: USART enable.</p> <p>When this bit is cleared, the USART prescalers and outputs are stopped immediately, and current operations are discarded. The configuration of the USART is kept, but all the status flags in the USART_ISR are reset. This bit is set and cleared by software.</p> <p>0: USART prescaler and outputs disabled, low-power mode 1: USART enabled</p> <p>Note: In order to go into low-power mode without generating errors on the line, the TE bit must be reset before and the software must wait for the TC bit in the USART_ISR to be set before resetting the UE bit.</p> <p>The DMA requests are also reset when UE = 0 so the DMA channel must be disabled before resetting the UE bit.</p> <p>Note: In Smartcard mode, (SCEN = 1), the SCLK is always available when CLKEN = 1, regardless of the UE bit value.</p> |

22.7.2 Control register 2 (USARTx_CR2)

Address offset: 0x04

Reset value: 0x0000

| | | | | | | | | | | | | | | | |
|----------|-------|-----------|----|----------|------|------|------|-------|-------------|------|-------|-----------|---------|-------|--------|
| 31 | 30 | 29 | 28 | 27 | 26 | 25 | 24 | 23 | 22 | 21 | 20 | 19 | 18 | 17 | 16 |
| ADD[7:4] | | | | ADD[3:0] | | | | RTOEN | ABRMOD[1:0] | | ABREN | MSBFIRST | DATAINV | TXINV | RXINV |
| rw | rw | rw | rw | rw | rw | rw | rw | rw | rw | rw | rw | rw | rw | rw | rw |
| 15 | 14 | 13 | 12 | 11 | 10 | 9 | 8 | 7 | 6 | 5 | 4 | 3 | 2 | 1 | 0 |
| SWAP | LINEN | STOP[1:0] | | CLKEN | CPOL | CPHA | LBCL | Res. | LBDIE | LBDL | ADDM7 | DIS_N SS. | Res. | Res. | SLVEN. |
| rw | rw | rw | rw | rw | rw | rw | rw | | rw | rw | rw | rw | | | rw |

| | |
|---------------|---|
| Bits 31:28 | <p>ADD[7:4]: Address of the USART node.</p> <p>This bit-field gives the address of the USART node or a character code to be recognized.</p> <p>This is used in multiprocessor communication during Mute mode or Stop mode for wakeup with 7-bit address mark detection. The MSB of the character sent by the transmitter should be equal to 1. It may also be used for character detection during normal reception, Mute mode inactive (for example, end of block detection in ModBus protocol). In this case, the whole received character (8-bit) is compared to the ADD[7:0] value and CMF flag is set on match.</p> <p>This bit field can only be written when reception is disabled (RE=0) or the USART is disabled (UE=0).</p> |
| Bits 27:24 | <p>ADD[3:0]: Address of the USART node.</p> <p>This bit-field gives the address of the USART node or a character code to be recognized.</p> <p>This is used in multiprocessor communication during Mute mode or Stop mode, for wakeup with address mark detection.</p> <p>This bit field can only be written when reception is disabled (RE=0) or the USART is disabled (UE=0).</p> |
| Bit 23 | <p>RTOEN: Receiver timeout enable.</p> <p>This bit is set and cleared by software. 0: Receiver timeout feature disabled 1: Receiver timeout feature enabled</p> <p>When this feature is enabled, the RTOF flag in the USART_ISR register is set if the RX line is idle (no reception) for the duration programmed in the RTOR (receiver timeout register).</p> <p>Note: If the USART does not support the Receiver timeout feature, this bit is reserved and forced by hardware to '0'. Refer to Section 22.4: USART implementation.</p> |
| Bit 22:21 | <p>ABRMOD[1:0]: Auto baud rate mode.</p> <p>These bits are set and cleared by software.</p> <p>00: Measurement of the start bit is used to detect the baud rate</p> <p>01: Falling edge to falling edge measurement (the received frame must start with a single bit = 1 -> Frame = Start10xxxxxx)</p> <p>10: 0x7F frame detection</p> <p>11: 0x55 frame detection</p> <p>This bit field can only be written when ABREN=0 or the USART is disabled (UE=0).</p> <p>Note: If DATAINV=1 and/or MSBFIRST=1 the patterns must be the same on the line, for example 0xAA for MSBFIRST).</p> <p>If the USART does not support the auto baud rate feature, this bit is reserved and forced by hardware to '0'. Refer to Section 22.4: USART implementation.</p> |
| Bit 20 | <p>ABREN: Auto baud rate enable.</p> <p>This bit is set and cleared by software. 0: Auto baud rate detection is disabled 1: Auto baud rate detection is enabled</p> <p>Note: If the USART does not support the auto baud rate feature, this bit is reserved and forced by hardware to '0'. Refer to Section 22.4: USART implementation.</p> |
| Bit 19 | <p>MSBFIRST: Most significant bit first.</p> <p>This bit is set and cleared by software.</p> <p>0: Data is transmitted/received with data bit 0 first, following the start bit</p> |

| | |
|------------|---|
| | <p>1: Data is transmitted/received with the MSB (bit 7/8) first, following the start bit. This bit field can only be written when the USART is disabled (UE=0).</p> |
| Bit 18 | <p>DATAINV: Binary data inversion. This bit is set and cleared by software.</p> <p>0: Logical data from the data register are sent/received in positive/direct logic. (1=H, 0=L) 1: Logical data from the data register are sent/received in negative/inverse logic. (1=L, 0=H). The parity bit is also inverted.</p> <p>This bit field can only be written when the USART is disabled (UE=0).</p> |
| Bit 17 | <p>TXINV: TX pin active level inversion. This bit is set and cleared by software.</p> <p>0: TX pin signal works using the standard logic levels (VDD=1/idle, Gnd=0/mark) 1: TX pin signal values are inverted. (VDD=0/mark, Gnd=1/idle). This allows the use of an external inverter on the TX line.</p> <p>This bit field can only be written when the USART is disabled (UE=0).</p> |
| Bit 16 | <p>RXINV: RX pin active level inversion. This bit is set and cleared by software.</p> <p>0: RX pin signal works using the standard logic levels (VDD=1/idle, Gnd=0/mark) 1: RX pin signal values are inverted. (VDD=0/mark, Gnd=1/idle). This allows the use of an external inverter on the RX line.</p> <p>This bit field can only be written when the USART is disabled (UE=0).</p> |
| Bit 15 | <p>SWAP: Swap TX/RX pins. This bit is set and cleared by software.</p> <p>0: TX/RX pins are used as defined in standard pinout 1: The TX and RX pins functions are swapped. This helps to work in the case of a cross-wired connection to another UART.</p> <p>This bit field can only be written when the USART is disabled (UE=0).</p> |
| Bit 14 | <p>LINEN: LIN mode enable. This bit is set and cleared by software.</p> <p>0: LIN mode disabled 1: LIN mode enabled</p> <p>The LIN mode enables the capability to send LIN Synch Breaks (13 low bits) using the SBKRQ bit in the USART_CR1 register, and to detect LIN Sync breaks.</p> <p>This bit field can only be written when the USART is disabled (UE=0).</p> <p>Note: If the USART does not support LIN mode, this bit is reserved and forced by hardware to '0'. Refer to Section 22.4: USART implementation.</p> |
| Bits 13:12 | <p>STOP[1:0]: STOP bits. These bits are used for programming the stop bits.</p> <p>00: 1 stop bit 01: 0.5 stop bit 10: 2 stop bits 11: 1.5 stop bits</p> <p>This bit field can only be written when the USART is disabled (UE=0).</p> |
| Bit 11 | <p>CLKEN: Clock enable. This bit allows the user to enable the SCLK pin.</p> <p>0: SCLK pin disabled 1: SCLK pin enabled</p> <p>This bit can only be written when the USART is disabled (UE=0).</p> <p>Note: If neither synchronous mode nor Smartcard mode is supported, this bit is reserved and forced by hardware to '0'. Refer to Section 22.4: USART implementation.</p> <p>Note: In Smartcard mode, in order to provide correctly the SCLK clock to the smartcard, the steps below must be respected:</p> |

| | |
|--------|--|
| | <ul style="list-style-type: none"> • UE=0 • SCEN=1 • GTPR configuration • CLKEN=1 • UE=1 |
| Bit 10 | <p>CPOL: Clock polarity.</p> <p>This bit allows the user to select the polarity of the clock output on the SCLK pin in synchronous mode. It works in conjunction with the CPHA bit to produce the desired clock/data relationship.</p> <p>0: Steady low value on SCLK pin outside transmission window 1: Steady high value on SCLK pin outside transmission window</p> <p>This bit can only be written when the USART is disabled (UE=0).</p> <p>Note: If synchronous mode is not supported, this bit is reserved and forced by hardware to '0'.</p> <p>Refer to Section 22.4: USART implementation.</p> |
| Bit 9 | <p>CPHA: Clock phase.</p> <p>This bit is used to select the phase of the clock output on the SCLK pin in synchronous mode. It works in conjunction with the CPOL bit to produce the desired clock/data relationship (see Figure 137. USART data clock timing diagram M=0 and Figure 138. USART data clock timing diagram (M bits = 01)).</p> <p>0: The first clock transition is the first data capture edge 1: The second clock transition is the first data capture edge</p> <p>This bit can only be written when the USART is disabled (UE=0).</p> <p>Note: If synchronous mode is not supported, this bit is reserved and forced by hardware to '0'.</p> <p>Refer to Section 22.4: USART implementation.</p> |
| Bit 8 | <p>LBCL: Last bit clock pulse.</p> <p>This bit is used to select whether the clock pulse associated with the last data bit transmitted (MSB) has to be output on the SCLK pin in synchronous mode.</p> <p>0: The clock pulse of the last data bit is not output to the SCLK pin 1: The clock pulse of the last data bit is output to the SCLK pin</p> <p>Caution: The last bit is the 7th or 8th or 9th data bit transmitted depending on the 7 or 8 or 9 bit format selected by the M bit in the USART_CR1 register.</p> <p>This bit can only be written when the USART is disabled (UE=0).</p> <p>Note: If synchronous mode is not supported, this bit is reserved and forced by hardware to '0'.</p> <p>Refer to Section 22.4: USART implementation.</p> |
| Bit 7 | Reserved, must be kept at reset value. |
| Bit 6 | <p>LBDIE: LIN break detection interrupt enable.</p> <p>Break interrupt mask (break detection using break delimiter).</p> <p>0: Interrupt is inhibited 1: An interrupt is generated whenever LBDF=1 in the USART_ISR register</p> <p>Note: If LIN mode is not supported, this bit is reserved and forced by hardware to '0'. Refer to Section 22.4: USART implementation.</p> |
| Bit 5 | <p>LBDL: LIN break detection length.</p> <p>This bit is for selection between 11 bit or 10 bit break detection.</p> <p>0: 10-bit break detection 1: 11-bit break detection</p> <p>This bit can only be written when the USART is disabled (UE=0).</p> <p>Note: If LIN mode is not supported, this bit is reserved and forced by hardware to '0'. Refer to Section 22.4: USART implementation.</p> |
| Bit 4 | <p>ADDM7: 7-bit address detection/4-bit address detection.</p> <p>This bit is for selection between 4-bit address detection or 7-bit address detection. 0: 4-bit address detection. 1: 7-bit address detection (in 8-bit data mode)</p> |

| | |
|-------|---|
| | <p>This bit can only be written when the USART is disabled (UE=0).</p> <p>Note: In 7-bit and 9-bit data modes, the address detection is done on 6-bit and 8-bit address (ADD[5:0] and ADD[7:0]) respectively.</p> |
| Bit 3 | <p>DIS_NSS</p> <p>When the DSI_NSS bit is set, the NSS pin input is ignored.</p> <p>0: SPI slave selection depends on NSS input pin</p> <p>1: SPI slave is always selected and NSS input pin is ignored</p> <p>Note: When SPI slave mode is not supported, this bit is reserved and must be kept at reset value.</p> |
| Bit 2 | Reserved, must be kept at reset value. |
| Bit 1 | Reserved, must be kept at reset value. |
| Bit 0 | <p>SLVEN: Synchronous slave mode enable.</p> <p>When the SLVEN bit is set, the synchronous slave mode is enabled.</p> <p>0: Slave mode disabled</p> <p>1: Slave mode enabled</p> <p>Note: When SPI slave mode is not supported, this bit is reserved and must be kept at reset value.</p> |

Note: The CPOL, CPHA and LBCL bits should not be written while the transmitter is enabled.

22.7.3 Control register 3 (USARTx_CR3)

Address offset: 0x08

Reset value: 0x0000

| | | | | | | | | | | | | | | | |
|---------|-----|------|--------|---------|-------|------|---------|--------|------|------|------|--------------|------|------|------|
| 31 | 30 | 29 | 28 | 27 | 26 | 25 | 24 | 23 | 22 | 21 | 20 | 19 | 18 | 17 | 16 |
| TXFTCFG | | | RXFTIE | RXFTCFG | | | TCBGTIE | TXFTIE | Res. | Res. | | SCARCNT[2:0] | | | Res. |
| rw | | | rw | rw | | | rw | rw | | | | rw | rw | rw | |
| 15 | 14 | 13 | 12 | 11 | 10 | 9 | 8 | 7 | 6 | 5 | 4 | 3 | 2 | 1 | 0 |
| DEP | DEM | DDRE | OVRDIS | ONEBIT | CTSIE | CTSE | RTSE | DMAT | DMAR | SCEN | NACK | HDSEL | IRLP | IREN | EIE |
| rw | rw | rw | rw | rw | rw | rw | rw | rw | rw | rw | rw | rw | rw | rw | rw |

| | |
|------------|---|
| Bits 31:29 | <p>TXFTCFG: TXFIFO threshold configuration.</p> <p>000: TXFIFO reaches 1/8 of its depth</p> <p>001: TXFIFO reaches 1/4 of its depth</p> <p>010: TXFIFO reaches 1/2 of its depth</p> <p>011: TXFIFO reaches 3/4 of its depth. 100:TXFIFO reaches 7/8 of its depth.</p> <p>101: TXFIFO becomes empty</p> <p>Remaining combinations: Reserved.</p> |
| Bit28 | <p>RXFTIE: RXFIFO threshold interrupt enable. This bit is set and cleared by software.</p> <p>0: Interrupt is inhibited</p> <p>1: A USART interrupt is generated when Receive FIFO reaches the threshold programmed in RXFTCFG</p> |
| Bits 27:25 | <p>RXFTCFG: Receive FIFO threshold configuration.</p> <p>000: Receive FIFO reaches 1/8 of its depth</p> <p>001: Receive FIFO reaches 1/4 of its depth</p> <p>010: Receive FIFO reaches 1/2 of its depth</p> <p>011: Receive FIFO reaches 3/4 of its depth</p> <p>100: Receive FIFO reaches 7/8 of its depth</p> <p>101: Receive FIFO becomes full</p> <p>Remaining combinations: Reserved.</p> |
| Bit 24 | <p>TCBGTIE: Transmission complete before Guard Time, interrupt enable.</p> <p>This bit is set and cleared by software.</p> <p>0: Interrupt is inhibited</p> <p>1: A USART interrupt is generated whenever TCBGT=1 in the USARTx_ISR register</p> <p>Note: If the USART does not support the Smartcard mode, this bit is reserved and forced by hardware to '0'.</p> |
| Bit 23 | <p>TXFTIE: TXFIFO threshold interrupt enable.</p> <p>This bit is set and cleared by software.</p> <p>0: Interrupt is inhibited</p> <p>1: A USART interrupt is generated when TXFIFO reaches the threshold programmed in TXFTCFG</p> |
| Bits 22:20 | Reserved, must be kept at reset value. |
| Bit 19:17 | <p>SCARCNT[2:0]: Smartcard auto-retry count.</p> <p>This bit-field specifies the number of retries in transmit and receive, in Smartcard mode. In transmission mode, it specifies the number of automatic retransmission retries, before generating a transmission error (FE bit set).</p> <p>In reception mode, it specifies the number or erroneous reception trials, before generating a reception error (RXNE/RXFNE and PE bits set).</p> <p>This bit field must be programmed only when the USART is disabled (UE=0).</p> |

| | |
|--------|---|
| | <p>When the USART is enabled (UE=1), this bit field may only be written to 0x0, in order to stop retransmission.</p> <p>0x0: Retransmission disabled - No automatic retransmission in transmit mode</p> <p>0x1 to 0x7: Number of automatic retransmission attempts (before signaling error)</p> <p>Note: If Smartcard mode is not supported, this bit is reserved and forced by hardware to '0'.</p> <p>Refer to Section 22.4: USART implementation.</p> |
| Bit 16 | Reserved, must be kept at reset value. |
| Bit 15 | <p>DEP: Driver enable polarity selection.</p> <p>0: DE signal is active high</p> <p>1: DE signal is active low</p> <p>This bit can only be written when the USART is disabled (UE=0).</p> <p>Note: If the driver enable feature is not supported, this bit is reserved and must be kept cleared. Refer to Section 22.4: USART implementation.</p> |
| Bit 14 | <p>DEM: Driver enable mode.</p> <p>This bit allows the user to activate the external transceiver control, through the DE signal.</p> <p>0: DE function is disabled</p> <p>1: DE function is enabled. The DE signal is output on the RTS pin.</p> <p>This bit can only be written when the USART is disabled (UE=0).</p> <p>Note: If the driver enable feature is not supported, this bit is reserved and must be kept cleared. Refer to Section 22.4: USART implementation.</p> |
| Bit 13 | <p>DDRE: DMA disable on reception error.</p> <p>0: DMA is not disabled in case of reception error. The corresponding error flag is set but RXNE is kept 0 preventing from overrun. As a consequence, the DMA request is not asserted, so the erroneous data is not transferred (no DMA request), but next correct received data are transferred (used for Smartcard mode).</p> <p>1: DMA is disabled following a reception error. The corresponding error flag is set, as well as RXNE. The DMA request is masked until the error flag is cleared. This means that the software must first disable the DMA request (DMAR=0) or clear RXNE (RXFNE in case FIFO mode is enabled) before clearing the error flag.</p> <p>This bit can only be written when the USART is disabled (UE=0).</p> <p>Note: The reception errors are: parity error, framing error or noise error.</p> |
| Bit 12 | <p>OVRDIS: Overrun disable.</p> <p>This bit is used to disable the receive overrun detection.</p> <p>0: Overrun error flag, ORE, is set when received data is not read before receiving new data</p> <p>1: Overrun functionality is disabled. If new data is received while the RXNE flag is still set the ORE flag is not set and the new received data overwrites the previous content of the USART_RDR register. When FIFO mode is enabled, the RXFIFO is bypassed and data are written directly in USARTx_RDR register. Even when FIFO management is enabled, the RXNE flag is to be used.</p> <p>This bit can only be written when the USART is disabled (UE=0).</p> <p>Note: This control bit allows checking the communication flow w/o reading the data.</p> |
| Bit 11 | <p>ONEBIT: One sample bit method enable.</p> <p>This bit allows the user to select the sample method. When the one sample bit method is selected the noise detection flag (NF) is disabled.</p> <p>0: Three sample bit method</p> <p>1: One sample bit method</p> <p>This bit can only be written when the USART is disabled (UE=0).</p> |
| Bit 10 | <p>CTSIE: CTS interrupt enable.</p> <p>0: Interrupt is inhibited</p> <p>1: An interrupt is generated whenever CTSIF=1 in the USART_ISR register</p> <p>Note: If the hardware flow control feature is not supported, this bit is reserved and forced by hardware to '0'. Refer to Section 22.4: USART implementation.</p> |
| Bit 9 | CTSE : CTS enable. |

| | |
|-------|---|
| | <p>0: CTS hardware flow control disabled</p> <p>1: CTS mode enabled, data are only transmitted when the nCTS input is asserted (tied to 0). If the nCTS input is deasserted while data is being transmitted, then the transmission is completed before stopping. If data are written into the data register while nCTS is asserted, the transmission is postponed until nCTS is asserted.</p> <p>This bit can only be written when the USART is disabled (UE=0).</p> <p>Note: If the hardware flow control feature is not supported, this bit is reserved and forced by hardware to '0'. Refer to Section 22.4: USART implementation.</p> |
| Bit 8 | <p>RTSE: RTS enable.</p> <p>0: RTS hardware flow control disabled</p> <p>1: RTS output enabled, data are only requested when there is space in the receive buffer. The transmission of data is expected to cease after the current character has been transmitted. The nRTS output is asserted (pulled to 0) when data can be received.</p> <p>This bit can only be written when the USART is disabled (UE=0).</p> <p>Note: If the hardware flow control feature is not supported, this bit is reserved and forced by hardware to '0'. Refer to Section 22.4: USART implementation.</p> |
| Bit 7 | <p>DMAT: DMA enable transmitter. This bit is set/reset by software.</p> <p>1: DMA mode is enabled for transmission</p> <p>0: DMA mode is disabled for transmission</p> |
| Bit 6 | <p>DMAR: DMA enable receiver. This bit is set/reset by software.</p> <p>1: DMA mode is enabled for reception</p> <p>0: DMA mode is disabled for reception</p> |
| Bit 5 | <p>SCEN: Smartcard mode enable.</p> <p>This bit is used for enabling Smartcard mode.</p> <p>0: Smartcard mode disabled</p> <p>1: Smartcard mode enabled</p> <p>This bit field can only be written when the USART is disabled (UE=0).</p> <p>Note: If the USART does not support Smartcard mode, this bit is reserved and forced by hardware to '0'. Refer to Section 22.4: USART implementation.</p> |
| Bit 4 | <p>NACK: Smartcard NACK enable.</p> <p>0: NACK transmission in case of parity error is disabled</p> <p>1: NACK transmission during parity error is enabled</p> <p>This bit field can only be written when the USART is disabled (UE=0).</p> <p>Note: If the USART does not support Smartcard mode, this bit is reserved and forced by hardware to '0'. Refer to Section 22.4: USART implementation.</p> |
| Bit 3 | <p>HDSEL: Half-duplex selection.</p> <p>Selection of single-wire half-duplex mode.</p> <p>0: Half-duplex mode is not selected</p> <p>1: Half-duplex mode is selected</p> <p>This bit can only be written when the USART is disabled (UE=0).</p> |
| Bit 2 | <p>IRLP: IrDA low-power.</p> <p>This bit is used for selecting between normal and low-power IrDA modes.</p> <p>0: Normal mode</p> <p>1: Low-power mode</p> <p>This bit can only be written when the USART is disabled (UE=0).</p> <p>Note: If IrDA mode is not supported, this bit is reserved and forced by hardware to '0'. Refer to Section 22.4: USART implementation</p> |
| Bit 1 | <p>IREN: IrDA mode enable.</p> <p>This bit is set and cleared by software.</p> |

| | |
|-------|---|
| | <p>0: IrDA disabled 1: IrDA enabled</p> <p>This bit can only be written when the USART is disabled (UE=0).</p> <p>Note: If IrDA mode is not supported, this bit is reserved and forced by hardware to '0'. Refer to Section 22.4: USART implementation.</p> |
| Bit 0 | <p>EIE: Error interrupt enable.</p> <p>Error interrupt enable bit is required to enable interrupt generation in case of a framing error, overrun error noise flag or SPI slave underrun error (FE=1 or ORE=1 or NF=1 or UDR = 1 in the USART_ISR register).</p> <p>0: Interrupt is inhibited</p> <p>1: An interrupt is generated when FE=1 or ORE=1 or NF=1 or UDR = 1 (in SPI slave mode) in the USART_ISR register</p> |

22.7.4 Baud rate register (USARTx_BRR)

This register can only be written when the USART is disabled (UE=0). It may be automatically updated by hardware in auto baud rate detection mode.

Address offset: 0x0C

Reset value: 0x0000

| | | | | | | | | | | | | | | | |
|-----------|------|------|------|------|------|------|------|------|------|------|------|------|------|------|------|
| 31 | 30 | 29 | 28 | 27 | 26 | 25 | 24 | 23 | 22 | 21 | 20 | 19 | 18 | 17 | 16 |
| Res. | Res. | Res. | Res. | Res. | Res. | Res. | Res. | Res. | Res. | Res. | Res. | Res. | Res. | Res. | Res. |
| 15 | 14 | 13 | 12 | 11 | 10 | 9 | 8 | 7 | 6 | 5 | 4 | 3 | 2 | 1 | 0 |
| BRR[15:0] | | | | | | | | | | | | | | | |
| rw | rw | rw | rw | rw | rw | rw | rw | rw | rw | rw | rw | rw | rw | rw | rw |

| | |
|------------|---|
| Bits 31:16 | Reserved, must be kept at reset value. |
| Bits 15:4 | BRR[15:4] BRR[15:4] = USARTDIV[15:4] |
| Bits 3:0 | BRR[3:0] When OVER8 = 0, BRR[3:0] = USARTDIV[3:0]. When OVER8 = 1: BRR[2:0] = USARTDIV[3:0] shifted 1 bit to the right. BRR[3] must be kept cleared. |

22.7.5 Guard Time and prescaler register (USARTx_GTPR)

Address offset: 0x10

Reset value: 0x0000

| | | | | | | | | | | | | | | | |
|---------|------|------|------|------|------|------|------|----------|------|------|------|------|------|------|------|
| 31 | 30 | 29 | 28 | 27 | 26 | 25 | 24 | 23 | 22 | 21 | 20 | 19 | 18 | 17 | 16 |
| Res. | Res. | Res. | Res. | Res. | Res. | Res. | Res. | Res. | Res. | Res. | Res. | Res. | Res. | Res. | Res. |
| 15 | 14 | 13 | 12 | 11 | 10 | 9 | 8 | 7 | 6 | 5 | 4 | 3 | 2 | 1 | 0 |
| GT[7:0] | | | | | | | | PSC[7:0] | | | | | | | |
| rw | | | | | | | | rw | | | | | | | |

| | |
|---------------|---|
| Bits 31:16 | Reserved, must be kept at reset value. |
| Bits 15:8 | <p>GT[7:0]: Guard Time value.</p> <p>This bit-field is used to program the Guard Time value in terms of number of baud clock periods.</p> <p>This is used in smartcard mode. The transmission complete flag is set after this Guard Time value.</p> <p>This bit field can only be written when the USART is disabled (UE=0).</p> <p>Note: If smartcard mode is not supported, this bit is reserved and forced by hardware to '0'.</p> <p>Refer to Section 22.4: USART implementation.</p> |
| Bits 7:0 | <p>PSC[7:0]: Prescaler value.</p> <p>In IrDA Low-power and normal IrDA mode:</p> <p>PSC[7:0] = IrDA Normal and Low-Power Baud Rate</p> <p>Used for programming the prescaler for dividing the USART source clock to achieve the low-power frequency:</p> <p>The source clock is divided by the value given in the register (8 significant bits):</p> <p>00000000: Reserved - do not program this value</p> <p>00000001: Divides the source clock by 1</p> <p>00000010: Divides the source clock by 2</p> <p>...</p> <p>In Smartcard mode:</p> <p>PSC[4:0]: Prescaler value</p> <p>Used for programming the prescaler for dividing the USART source clock to provide the Smartcard clock.</p> <p>The value given in the register (5 significant bits) is multiplied by 2 to give the division factor of the source clock frequency:</p> <p>00000: Reserved - do not program this value</p> <p>00001: Divides the source clock by 2</p> <p>00010: Divides the source clock by 4</p> <p>00011: Divides the source clock by 6</p> <p>...</p> <p>This bit field can only be written when the USART is disabled (UE=0).</p> <p>Note: Bits [7:5] must be kept cleared if Smartcard mode is used.</p> <p>This bit field is reserved and forced by hardware to '0' when the Smartcard and IrDA modes are not supported.</p> <p>Refer to Section 22.4: USART implementation.</p> |

22.7.6 Receiver timeout register (USARTx_RTOR)

Address offset: 0x14

Reset value: 0x0000

| BLEN[7:0] | | | | | | | | RTO[23:16] | | | | | | | |
|-----------|----|----|----|----|----|----|----|------------|----|----|----|----|----|----|----|
| rw | rw | rw | rw | rw | rw | rw | rw | rw | rw | rw | rw | rw | rw | rw | rw |
| 15 | 14 | 13 | 12 | 11 | 10 | 9 | 8 | 7 | 6 | 5 | 4 | 3 | 2 | 1 | 0 |
| RTO[15:0] | | | | | | | | | | | | | | | |
| rw | rw | rw | rw | rw | rw | rw | rw | rw | rw | rw | rw | rw | rw | rw | rw |

| | |
|---------------|--|
| Bits 31:24 | <p>BLEN[7:0]: Block length.</p> <p>This bit-field gives the block length in Smartcard T=1 Reception. Its value equals the number of information characters + the length of the epilogue field (1-LEC/2-CRC) - 1.</p> <p>Examples:</p> <p>BLEN = 0 -> 0 information characters + LEC</p> <p>BLEN = 1 -> 0 information characters + CRC</p> <p>BLEN = 255 -> 254 information characters + CRC (total 256 characters)</p> <p>In Smartcard mode, the Block length counter is reset when TXE=0 (TXFE=0 in case FIFO mode is enabled).</p> <p>This bit-field can be used also in other modes. In this case, the Block length counter is reset when RE=0 (receiver disabled) and/or when the EOBCF bit is written to 1.</p> <p>Note: This value can be programmed after the start of the block reception (using the data from the LEN character in the prologue field). It must be programmed only once per received block.</p> |
| Bits 23:0 | <p>RTO[23:0]: Receiver timeout value.</p> <p>This bit-field gives the Receiver timeout value in terms of number of baud clocks.</p> <p>In standard mode, the RTOF flag is set if, after the last received character, no new start bit is detected for more than the RTO value.</p> <p>In Smartcard mode, this value is used to implement the CWT and BWT. See Smartcard section for more details. In the standard, the CWT/BWT measurement is done starting from the start bit of the last received character.</p> <p>Note: This value must only be programmed once per received character.</p> |

Note: **RTOR** can be written on the fly. If the new value is lower than or equal to the counter, the RTOF flag is set. This register is reserved and forced by hardware to "0x00000000" when the receiver timeout feature is not supported. Refer to [Section 22.4: USART implementation](#).

22.7.7 Request register (USARTx_RQR)

Address offset: 0x18

Reset value: 0x0000

| | | | | | | | | | | | | | | | |
|------|------|------|------|------|------|------|------|------|------|------|-------|-------|------|-------|-------|
| 31 | 30 | 29 | 28 | 27 | 26 | 25 | 24 | 23 | 22 | 21 | 20 | 19 | 18 | 17 | 16 |
| Res. | Res. | Res. | Res. | Res. | Res. | Res. | Res. | Res. | Res. | Res. | Res. | Res. | Res. | Res. | Res. |
| 15 | 14 | 13 | 12 | 11 | 10 | 9 | 8 | 7 | 6 | 5 | 4 | 3 | 2 | 1 | |
| Res. | Res. | Res. | Res. | Res. | Res. | Res. | Res. | Res. | Res. | Res. | TXFRQ | RXFRQ | MMRQ | SBKRQ | ABRRQ |
| | | | | | | | | | | | w_r0 | w_r0 | w_r0 | w_r0 | w_r0 |

| | |
|-----------|--|
| Bits 31:5 | Reserved, must be kept at reset value. |
| Bit 4 | <p>TXFRQ: Transmit data flush request.</p> <p>When FIFO mode is disabled, writing 1 to this bit sets the TXE flag.</p> <p>This allows the transmit data to be discarded. This bit must be used only in Smartcard mode, when data has not been sent due to errors (NACK) and the FE flag is active in the USART_ISR register. If the USART does not support Smartcard mode, this bit is reserved and forced by hardware to '0'.</p> <p>When FIFO is enabled, TXFRQ bit is set to flush the whole FIFO. This sets the flag TXFE (transmit FIFO empty, bit 23 in the USART_ISR register). Flushing the transmit FIFO is supported in both UART and Smartcard modes.</p> <p>Note: In FIFO mode, the TXFNF flag is reset during the flush request until TxFIFO is empty in order to ensure that no data is written in the data register.</p> |
| Bit 3 | <p>RXFRQ: Receive data flush request.</p> <p>Writing 1 to this bit empties the entire receive FIFO, i.e. clears the bit RXFNE.</p> <p>This allows the received data to be discarded without reading them, and avoid an overrun condition.</p> |
| Bit 2 | <p>MMRQ: Mute mode request.</p> <p>Writing 1 to this bit puts the USART in mute mode and resets the RWU flag.</p> |
| Bit 1 | <p>SBKRQ: Send break request.</p> <p>Writing 1 to this bit sets the SBKF flag and requests to send a BREAK on the line, as soon as the transmit machine is available.</p> <p>Note: In the case the application needs to send the break character following all previously inserted data, including the ones not yet transmitted, the software should wait for the TXE flag assertion before setting the SBKRQ bit.</p> |
| Bit 0 | <p>ABRRQ: Auto baud rate request.</p> <p>Writing 1 to this bit resets the ABRF flag in the USART_ISR and requests an automatic baud rate measurement on the next received data frame.</p> <p>Note: If the USART does not support the auto baud rate feature, this bit is reserved and forced by hardware to '0'. Refer to Section 22.4: USART implementation.</p> |

22.7.8 Interrupt and status register (USARTx_ISR)

Address offset: 0x1C

Reset value: 0x00C0 (in case FIFO disabled).

Reset value: 0x2800C0 (in case FIFO/Smartcard mode enabled).

Reset value: 0x0800C0 (in case FIFO enabled/Smartcard mode disabled).

| | | | | | | | | | | | | | | | |
|------|------|------|------|------|------|-------|------|------------|--------|-------------|------|-----|------|-----|------|
| 31 | 30 | 29 | 28 | 27 | 26 | 25 | 24 | 23 | 22 | 21 | 20 | 19 | 18 | 17 | 16 |
| Res. | Res. | Res. | Res. | TXFT | RXFT | TCBGT | RXFF | TXFE | RE ACK | TE ACK | Res. | RWU | SBKF | CMF | BUSY |
| | | | | r | r | r | r | r | r | r | | r | r | r | r |
| 15 | 14 | 13 | 12 | 11 | 10 | 9 | 8 | 7 | 6 | 5 | 4 | 3 | 2 | 1 | 0 |
| ABRF | ABRE | UDR | EOBF | RTOF | CTS | CTSIF | LBDF | TXE/TX FNF | TC | RXNE/ RXFNE | IDLE | ORE | NF | FE | PE |
| r | r | r | r | r | r | r | r | r | r | r | r | r | r | r | r |

| | |
|------------|--|
| Bits 31:28 | Reserved, must be kept at reset value. |
| Bit 27 | <p>TXFT: TXFIFO threshold flag.</p> <p>This bit is set by hardware when the TXFIFO reaches the programmed threshold in TXFTCFG in USARTx_CR3 register i.e. the TXFIFO contains TXFTCFG empty locations. An interrupt is generated if the TXFTIE bit = 1 (bit 31) in the USART_CR3 register.</p> <p>0: TXFIFO doesn't reach the programmed threshold 1: TXFIFO reached the programmed threshold</p> |
| Bit 26 | <p>RXFT: RXFIFO threshold flag.</p> <p>This bit is set by hardware when the programmed threshold in RXFTCFG in USARTx_CR3 register is reached. This means that there are (RXFTCFG - 1) data in the Receive FIFO and one data in the USART_RDR register. An interrupt is generated if the RXFTIE bit = 1 (bit 27) in the USART_CR3 register.</p> <p>0: Receive FIFO does not reach the programmed threshold 1: Receive FIFO reached the programmed threshold</p> <p>Note: When the RXFTCFG threshold is configured to «101», RXFT flag is set if 16 data are available, i.e. 15 data in the RXFIFO and 1 data in the USARTx_RDR. Consequently, the 17th received data do not cause an overrun error. The overrun error occurs after receiving the 18th data.</p> |
| Bit 25 | <p>TCBGT: Transmission complete before Guard Time flag.</p> <p>This bit indicates when the last data written in the USART_TDR has been transmitted correctly out of the shift register .</p> <p>It is set by hardware in Smartcard mode, if the transmission of a frame containing data is complete and if there is no NACK from the smartcard. An interrupt is generated if TCBGTIE=1 in the USART_CR3 register. It is cleared by software, writing 1 to the TCBGTIE in the USART_ICR register or by a write to the USART_TDR register.</p> <p>0: Transmission is not complete or transmission is complete unsuccessfully (i.e. a NACK is received from the card) 1: Transmission is complete successfully (before Guard Time completion and there is no NACK from the smart card).</p> <p>Note: If the USART does not support the Smartcard mode, this bit is reserved and forced by hardware to '0'. If the USART supports the Smartcard mode and the Smartcard mode is enabled, the TCBGT reset value is "1".</p> |
| Bit 24 | <p>RXFF: RXFIFO full.</p> <p>This bit is set by hardware when RXFIFO is full.</p> <p>An interrupt is generated if the RXFFIE bit = 1 in the USART_CR1 register.</p> <p>0: RXFIFO is not full 1: RXFIFO is full</p> |
| Bit 23 | <p>TXFE: TXFIFO empty.</p> <p>This bit is set by hardware when TXFIFO is Empty. When the TXFIFO contains at least one data, this flag is cleared. The TXFE flag can also be set by writing 1 to the bit TXFRQ (bit 4) in the USART_RQR register.</p> <p>An interrupt is generated if the TXFEIE bit = 1 (bit 30) in the USART_CR1 register.</p> |

| | |
|--------|---|
| | <p>0: TXFIFO is not empty 1: TXFIFO is empty</p> |
| Bit 22 | <p>REACK: Receive enable acknowledge flag. This bit is set/reset by hardware, when the receive enable value is taken into account by the USART. It can be used to verify that the USART is ready for reception before entering stop mode. Note: If the USART does not support the wakeup from Stop feature, this bit is reserved and forced by hardware to '0'.</p> |
| Bit 21 | <p>TEACK: transmit enable acknowledge flag. This bit is set/reset by hardware, when the transmit enable value is taken into account by the USART. It can be used when an idle frame request is generated by writing TE=0, followed by TE=1 in the USART_CR1 register, in order to respect the TE=0 minimum period.</p> |
| Bit 20 | <p>Reserved, must be kept at reset value.</p> |
| Bit 19 | <p>RWU: Receiver wakeup from Mute mode. This bit indicates if the USART is in mute mode. It is cleared/set by hardware when a wakeup/mute sequence is recognized. The mute mode control sequence (address or IDLE) is selected by the WAKE bit in the USART_CR1 register. When wakeup on IDLE mode is selected, this bit can only be set by software, writing 1 to the MMRQ bit in the USART_RQR register. 0: Receiver in active mode 1: Receiver in mute mode Note: If the USART does not support the wakeup from stop feature, this bit is reserved and forced by hardware to '0'.</p> |
| Bit 18 | <p>SBKF: Send break flag. This bit indicates that a send break character was requested. It is set by software, by writing 1 to the SBKRQ bit in the USART_CR3 register. It is automatically reset by hardware during the stop bit of break transmission. 0: No break character is transmitted 1: Break character is transmitted</p> |
| Bit 17 | <p>CMF: Character match flag. This bit is set by hardware, when the character defined by ADD[7:0] is received. It is cleared by software, writing 1 to the CMCF in the USART_ICR register. An interrupt is generated if CMIE=1 in the USART_CR1 register. 0: No character match detected 1: Character match detected</p> |
| Bit 16 | <p>BUSY: Busy flag. This bit is set and reset by hardware. It is active when a communication is on-going on the RX line (successful start bit detected). It is reset at the end of the reception (successful or not). 0: USART is idle (no reception) 1: Reception on-going</p> |
| Bit 15 | <p>ABRF: Auto baud rate flag. This bit is set by hardware when the automatic baud rate has been set (RXNE is also set, generating an interrupt if RXNEIE=1) or when the auto baud rate operation was completed without success (ABRE=1) (ABRE, RXNE and FE are also set in this case). It is cleared by software, in order to request a new auto baud rate detection, by writing 1 to the ABRRQ in the USART_RQR register. Note: If the USART does not support the auto baud rate feature, this bit is reserved and forced by hardware to '0'.</p> |
| Bit 14 | <p>ABRE: Auto baud rate error. This bit is set by hardware if the baud rate measurement failed (baud rate out of range or character comparison failed). It is cleared by software, by writing 1 to the ABRRQ bit in the USART_CR3 register. Note: If the USART does not support the auto baud rate feature, this bit is reserved and forced by hardware to '0'.</p> |

| | |
|--------|---|
| Bit 13 | <p>UDR: SPI slave underrun error flag.</p> <p>In slave transmission mode, this flag is set when the first clock for data transmission appears while the software has not yet loaded any value into USARTx_DR.</p> <p>0: No underrun error 1: underrun error</p> <p>Note: If the USART does not support the SPI slave mode, this bit is reserved and forced by hardware to '0'.</p> |
| Bit 12 | <p>EOBF: End of block flag.</p> <p>This bit is set by hardware when a complete block has been received (for example T=1 Smartcard mode). The detection is done when the number of received bytes (from the start of the block, including the prologue) is equal or greater than BLEN + 4.</p> <p>An interrupt is generated if the EOBI=1 in the USART_CR2 register.</p> <p>It is cleared by software, writing 1 to the EOBCF in the USART_ICR register.</p> <p>0: End of block not reached 1: End of block (number of characters) reached</p> <p>Note: If Smartcard mode is not supported, this bit is reserved and forced by hardware to '0'.</p> <p>Refer to Section 22.4: USART implementation.</p> |
| Bit 11 | <p>RTOF: Receiver timeout.</p> <p>This bit is set by hardware when the timeout value programmed in the RTOR register has lapsed, without any communication. It is cleared by software, writing 1 to the RTOCF bit in the USART_ICR register.</p> <p>An interrupt is generated if RTOIE=1 in the USART_CR2 register.</p> <p>In Smartcard mode, the timeout corresponds to the CWT or BWT timings.</p> <p>0: Timeout value not reached 1: Timeout value reached without any data reception</p> <p>Note: If a time equal to the value programmed in RTOR register separates 2 characters, RTOF is not set. If this time exceeds this value + 2 sample times (2/16 or 2/8, depending on the oversampling method), the RTOF flag is set.</p> <p>The counter counts even if RE=0 but RTOF is set only when RE=1. If the timeout has already elapsed when RE is set, then RTOF is set.</p> <p>If the USART does not support the receiver timeout feature, this bit is reserved and forced by hardware to '0'.</p> |
| Bit 10 | <p>CTS: CTS flag.</p> <p>This bit is set/reset by hardware. It is an inverted copy of the status of the nCTS input pin.</p> <p>0: nCTS line set 1: nCTS line reset</p> <p>Note: If the hardware flow control feature is not supported, this bit is reserved and forced by hardware to '0'.</p> |
| Bit 9 | <p>CTSIF: CTS interrupt flag.</p> <p>This bit is set by hardware when the nCTS input toggles, if the CTSE bit is set. It is cleared by software, by writing 1 to the CTSCF bit in the USART_ICR register.</p> <p>An interrupt is generated if CTSIE=1 in the USART_CR3 register.</p> <p>0: No change occurred on the nCTS status line 1: A change occurred on the nCTS status line</p> <p>Note: If the hardware flow control feature is not supported, this bit is reserved and forced by hardware to '0'.</p> |
| Bit 8 | <p>LBDF: LIN break detection flag.</p> <p>This bit is set by hardware when the LIN break is detected. It is cleared by software, by writing 1 to the LBDCF in the USART_ICR.</p> <p>An interrupt is generated if LBDIE=1 in the USART_CR2 register.</p> <p>0: LIN Break not detected 1: LIN break detected</p> <p>Note: If the USART does not support LIN mode, this bit is reserved and forced by hardware to '0'. Refer to Section 22.4: USART implementation.</p> |
| Bit 7 | <p>TXE/TXFNF: Transmit data register empty/TXFIFO not full.</p> |

| | |
|-------|--|
| | <p>When FIFO mode is disabled, TXE is set by hardware when the content of the USARTx_TDR register has been transferred into the shift register. It is cleared by a write to the USARTx_TDR register. The TXE flag can also be set by writing 1 to the TXFRQ in the USART_RQR register, in order to discard the data (only in Smartcard T=0 mode, in case of transmission failure).</p> <p>When FIFO mode is enabled, TXFNF is set by hardware when TXFIFO is not full, and so data can be written in the USART_TDR. Every write in the USART_TDR places the data in the TXFIFO. This flag remains set until the TXFIFO is full. When the TXFIFO is full, this flag is cleared indicating that data cannot be written into the USART_TDR.</p> <p>Note: The TXFNF is kept reset during the flush request until TXFIFO is empty. After sending the flush request (by setting TXFRQ bit), the flag TXFNF should be checked prior to writing in TXFIFO. (TXFNF and TXFE are set at the same time).</p> <p>An interrupt is generated if the TXEIE/TXFNFIE bit = 1 in the USART_CR1 register.</p> <p>0: Data register is full/transmit FIFO is full 1: Data register/transmit FIFO is not full</p> <p>Note: This bit is used during single buffer transmission.</p> |
| Bit 6 | <p>TC: Transmission complete</p> <p>This bit indicates when the last data written in the USART_TDR has been transmitted out of the shift register.</p> <p>It is set by hardware if the transmission of a frame containing data is complete and if TXE/TXFE is set. An interrupt is generated if TCIE=1 in the USART_CR1 register. It is cleared by software, writing 1 to the TCCF in the USART_ICR register or by a write to the USART_TDR register.</p> <p>An interrupt is generated if TCIE=1 in the USART_CR1 register.</p> <p>0: Transmission is not complete 1: Transmission is complete</p> <p>Note: If TE bit is reset and no transmission is on-going, the TC bit is set immediately.</p> |
| Bit 5 | <p>RXNE/RXFNE: Read data register not empty/RXFIFO not empty.</p> <p>RXNE bit is set by hardware when the content of the USARTx_RDR shift register has been transferred to the USARTx_RDR register. It is cleared by a read to the USARTx_RDR register. The RXNE flag can also be cleared by writing 1 to the RXFRQ in the USARTx_RQR register. RXFNE bit is set by hardware when the RXFIFO is not empty, and so data can be read from the USART_RDR register. Every read of the USART_RDR frees a location in the RXFIFO. It is cleared when the RXFIFO is empty.</p> <p>The RXNE/RXFNE flag can also be cleared by writing 1 to the RXFRQ in the USART_RQR register.</p> <p>An interrupt is generated if RXNEIE/RXFNEIE=1 in the USART_CR1 register.</p> <p>0: Data is not received 1: Received data is ready to be read</p> |
| Bit 4 | <p>IDLE: Idle line detected.</p> <p>This bit is set by hardware when an idle line is detected. An interrupt is generated if IDLEIE=1 in the USART_CR1 register. It is cleared by software, writing 1 to the IDLECF in the USART_ICR register.</p> <p>0: No idle line is detected 1: Idle line is detected</p> <p>Note: The IDLE bit is not set again until the RXNE bit has been set (i.e. a new idle line occurs).</p> <p>If mute mode is enabled (MME=1), IDLE is set if the USART is not mute (RWU=0), whatever the mute mode selected by the WAKE bit. If RWU=1, IDLE is not set.</p> |
| Bit 3 | <p>ORE: Overrun error.</p> <p>This bit is set by hardware when the data currently being received in the shift register is ready to be transferred into the USARTx_RDR register while RXNE=1 (RXFF=1 in case FIFO mode is enabled). It is cleared by a software, writing 1 to the ORECF, in the USARTx_ICR register.</p> <p>An interrupt is generated if RXNEIE/ RXFNEIE=1 or EIE=1 in the USARTx_CR1 register.</p> <p>0: No overrun error 1: Overrun error is detected</p> <p>Note: When this bit is set, the USART_RDR register content is not lost but the shift register is overwritten. An interrupt is generated if the ORE flag is set during multi-buffer communication if the EIE bit is set.</p> <p>This bit is permanently forced to 0 (no overrun detection) when the bit OVRDIS is set in the USART_CR3 register.</p> |
| Bit 2 | <p>NF: START bit noise detection flag.</p> |

| | |
|--------------|--|
| | <p>This bit is set by hardware when noise is detected on a received frame. It is cleared by software, writing 1 to the NFCF bit in the USART_ICR register.</p> <p>0: No noise is detected 1: Noise is detected</p> <p>Note: This bit does not generate an interrupt as it appears at the same time as the RXNE/RXFNE bit which itself generates an interrupt. An interrupt is generated when the NF flag is set during multi-buffer communication if the EIE bit is set.</p> <p>Note: When the line is noise-free, the NF flag can be disabled by programming the ONEBIT bit to 1 to increase the USART tolerance to deviations (refer to Section 22.5.6: Tolerance of the USART receiver to clock deviation).</p> <p>Note: In FIFO mode, this error is associated with the character in the USARTx_RDR.</p> |
| <p>Bit 1</p> | <p>FE: Framing error.</p> <p>This bit is set by hardware when a de-synchronization, excessive noise or a break character is detected. It is cleared by software, writing 1 to the FECF bit in the USART_ICR register. In Smartcard mode, in transmission, this bit is set when the maximum number of transmit attempts is reached without success (the card NACKs the data frame).</p> <p>An interrupt is generated if EIE=1 in the USART_CR1 register.</p> <p>0: No framing error is detected 1: Framing error or break character is detected</p> <p>Note: In FIFO mode, this error is associated with the character in the USARTx_RDR.</p> |
| <p>Bit 0</p> | <p>PE: Parity error.</p> <p>This bit is set by hardware when a parity error occurs in receiver mode. It is cleared by software, writing 1 to the PECF in the USART_ICR register.</p> <p>An interrupt is generated if PEIE=1 in the USART_CR1 register.</p> <p>0: No parity error 1: Parity error</p> |

Note: In FIFO mode, this error is associated with the character in the USARTx_RDR.

22.7.9 Interrupt flag clear register (USART_ICR)

Address offset: 0x20

Reset value: 0x0000

| | | | | | | | | | | | | | | | |
|------|------|-------|-------|-------|------|-------|-------|----------|------|---------|--------|-------|------|------|------|
| 31 | 30 | 29 | 28 | 27 | 26 | 25 | 24 | 23 | 22 | 21 | 20 | 19 | 18 | 17 | 16 |
| Res. | Res. | Res. | Res. | Res. | Res. | Res. | Res. | Res. | Res. | Res. | Res. | Res. | Res. | CMCF | Res. |
| | | | | | | | | | | | | | | w | |
| 15 | 14 | 13 | 12 | 11 | 10 | 9 | 8 | 7 | 6 | 5 | 4 | 3 | 2 | 1 | 0 |
| Res. | Res. | UDRCF | EOBCF | RTOCF | Res. | CTSCF | LBDCF | TCBGT CF | TCCF | TXFEC F | IDLECF | ORECF | NECF | FECF | PECF |
| | | w | w | w | | w | w | w | w | w | w | w | w | w | w |

| | |
|------------|---|
| Bits 31:20 | Reserved, must be kept at reset value. |
| Bit 19:18 | Reserved, must be kept at reset value. |
| Bit 17 | CMCF : Character match clear flag. Writing 1 to this bit clears the CMF flag in the USART_ISR register. |
| Bit 16:14 | Reserved, must be kept at reset value. |
| Bit 13 | UDRCF : SPI slave underrun clear flag. Writing 1 to this bit clears the UDRF flag in the USART_ISR register. Note: If the USART does not support SPI slave mode, this bit is reserved and forced by hardware to '0'. Refer to Section 22.4: USART implementation . |
| Bit 12 | EOBCF : End of block clear flag. Writing 1 to this bit clears the EOBF flag in the USART_ISR register. Note: If the USART does not support Smartcard mode, this bit is reserved and forced by hardware to '0'. Refer to Section 22.4: USART implementation . |
| Bit 11 | RTOCF : Receiver timeout clear flag. Writing 1 to this bit clears the RTOF flag in the USART_ISR register. Note: If the USART does not support the receiver timeout feature, this bit is reserved and forced by hardware to '0'. Refer to Section 22.4: USART implementation . |
| Bit 10 | Reserved, must be kept at reset value. |
| Bit 9 | CTSCF : CTS clear flag. Writing 1 to this bit clears the CTSIF flag in the USART_ISR register. Note: If the hardware flow control feature is not supported, this bit is reserved and forced by hardware to '0'. Refer to Section 22.4: USART implementation . |
| Bit 8 | LBDCF : LIN break detection clear flag. Writing 1 to this bit clears the LBDF flag in the USART_ISR register. Note: If LIN mode is not supported, this bit is reserved and forced by hardware to '0'. Refer to Section 22.4: USART implementation . |
| Bit 7 | TCBGT CF : Transmission complete before Guard Time clear flag writing 1 to this bit clears the TCBGT flag in the USART_ISR register. |
| Bit 6 | TCCF : Transmission complete clear flag writing 1 to this bit clears the TC flag in the USART_ISR register. |
| Bit 5 | TXFECF : TXFIFO empty clear flag. Writing 1 to this bit clears the TXFE flag in the USART_ISR register. |
| Bit 4 | IDLECF : Idle line detected clear flag. Writing 1 to this bit clears the IDLE flag in the USART_ISR register. |
| Bit 3 | ORECF : Overrun error clear flag. Writing 1 to this bit clears the ORE flag in the USART_ISR register. |

| | |
|-------|---|
| Bit 2 | NECF : Noise detected clear flag. Writing 1 to this bit clears the NF flag in the USART_ISR register. |
| Bit 1 | FECF : Framing error clear flag. Writing 1 to this bit clears the FE flag in the USART_ISR register. |
| Bit 0 | PECF : Parity error clear flag. Writing 1 to this bit clears the PE flag in the USART_ISR register. |

22.7.10 Receive data register (USART_RDR)

Address offset: 0x24

Reset value: undefined

| | | | | | | | | | | | | | | | |
|------|------|------|------|------|------|------|----------|------|------|------|------|------|------|------|------|
| 31 | 30 | 29 | 28 | 27 | 26 | 25 | 24 | 23 | 22 | 21 | 20 | 19 | 18 | 17 | 16 |
| Res. | Res. | Res. | Res. | Res. | Res. | Res. | Res. | Res. | Res. | Res. | Res. | Res. | Res. | Res. | Res. |
| 15 | 14 | 13 | 12 | 11 | 10 | 9 | 8 | 7 | 6 | 5 | 4 | 3 | 2 | 1 | 0 |
| Res. | Res. | Res. | Res. | Res. | Res. | Res. | RDR[8:0] | | | | | | | | |
| | | | | | | | r | r | r | r | r | r | r | r | r |

| | |
|-----------|---|
| Bits 31:9 | Reserved, must be kept at reset value. |
| Bits 8:0 | <p>RDR[8:0]: Receive data value. Contains the received data character.</p> <p>The RDR register provides the parallel interface between the input shift register and the internal bus (see Figure 124. USART block diagram).</p> <p>When receiving with the parity enabled, the value read in the MSB bit is the received parity bit.</p> |

22.7.11 Transmit data register (USART_TDR)

Address offset: 0x28

Reset value: undefined

| | | | | | | | | | | | | | | | | | |
|------|------|------|------|------|------|------|----------|------|------|------|------|------|------|------|------|--|--|
| 31 | 30 | 29 | 28 | 27 | 26 | 25 | 24 | 23 | 22 | 21 | 20 | 19 | 18 | 17 | 16 | | |
| Res. | Res. | Res. | Res. | Res. | Res. | Res. | Res. | Res. | Res. | Res. | Res. | Res. | Res. | Res. | Res. | | |
| | | | | | | | | | | | | | | | | | |
| 15 | 14 | 13 | 12 | 11 | 10 | 9 | 8 | 7 | 6 | 5 | 4 | 3 | 2 | 1 | 0 | | |
| Res. | Res. | Res. | Res. | Res. | Res. | Res. | TDR[8:0] | | | | | | | | | | |
| | | | | | | | rw | rw | rw | rw | rw | rw | rw | rw | rw | | |

| | |
|-----------|---|
| Bits 31:9 | Reserved, must be kept at reset value. |
| Bits 8:0 | <p>TDR[8:0]: Transmit data value.</p> <p>Contains the data character to be transmitted.</p> <p>The USARTx_TDR register provides the parallel interface between the internal bus and the output shift register (see Figure 124. USART block diagram).</p> <p>When transmitting with the parity enabled (PCE bit set to 1 in the USART_CR1 register), the value written in the MSB (bit 7 or bit 8 depending on the data length) has no effect because it is replaced by the parity.</p> <p>Note: This register must be written only when TXE/TXFNF=1.</p> |

22.7.12 Prescaler register (USARTx_PRESC)

This register can only be written when the USART is disabled (UE=0).

Address offset: 0x2C

Reset value: 0x0000

| | | | | | | | | | | | | | | | |
|------|------|------|------|------|------|------|------|------|------|------|------|----------------|------|------|------|
| 31 | 30 | 29 | 28 | 27 | 26 | 25 | 24 | 23 | 22 | 21 | 20 | 19 | 18 | 17 | 16 |
| Res. | Res. | Res. | Res. | Res. | Res. | Res. | Res. | Res. | Res. | Res. | Res. | Res. | Res. | Res. | Res. |
| 15 | 14 | 13 | 12 | 11 | 10 | 9 | 8 | 7 | 6 | 5 | 4 | 3 | 2 | 1 | 0 |
| Res. | Res. | Res. | Res. | Res. | Res. | Res. | Res. | Res. | Res. | Res. | Res. | PRESCALER[3:0] | | | |
| | | | | | | | | | | | | rw | rw | rw | rw |

| | |
|--------------|--|
| Bits 31:4 | Reserved, must be kept at reset value. |
| Bits 3:0 | <p>PRESCALER[3:0]: Clock prescaler.</p> <p>The USART input clock can be divided by a prescaler:</p> <p>0000: Input clock not divided 0001: Input clock divided by 2 0010: Input clock divided by 4 0011: Input clock divided by 6 0100: Input clock divided by 8 0101: Input clock divided by 10 0110: Input clock divided by 12 0111: Input clock divided by 16 1000: Input clock divided by 32 1001: Input clock divided by 64 1010: Input clock divided by 128 1011: Input clock divided by 256</p> <p>Remaining combinations: Reserved.</p> <p>Note: When PRESCALER is programmed with a value different to the allowed ones, programmed prescaler value is «1011», i.e. input clock divided by 256.</p> |

22.7.13 USART register map

Table 103. USART register map

| Offset | Register | 31 | 30 | 29 | 28 | 27 | 26 | 25 | 24 | 23 | 22 | 21 | 20 | 19 | 18 | 17 | 16 | 15 | 14 | 13 | 12 | 11 | 10 | 9 | 8 | 7 | 6 | 5 | 4 | 3 | 2 | 1 | 0 | | |
|--------|-------------|---------------|--------|--------|-------|---------------|-------|-----------|---------|-----------|-------------|------------|------|--------------|----------|---------|-------|-----------|------|-------|------------|--------|----------|-------|------|--------|--------|------|-------|-------|-------|---------|------|------|-------|
| 0x00 | USART_CR1 | RXFFIE | RXFEIE | FIFOEN | M1 | EOBIE | RTOIE | DEAT[4:0] | | | | DEDIT[4:0] | | | | OVER8 | CMIE | MME | M0 | WAKE | PCE | PS | PEIE | TXEIE | TCIE | RXNEIE | IDLEIE | TE | RE | Res. | UE | | | | |
| | Reset value | 0 | 0 | 0 | 0 | 0 | 0 | 0 | 0 | 0 | 0 | 0 | 0 | 0 | 0 | 0 | 0 | 0 | 0 | 0 | 0 | 0 | 0 | 0 | 0 | 0 | 0 | 0 | 0 | 0 | 0 | 0 | | | |
| 0x04 | USART_CR2 | ADD[7:4] | | | | ADD[3:0] | | | | RTOEN | ABRMOD[1:0] | | | ABREN | MSBFIRST | DATAINV | TXINV | RXINV | SWAP | LINEN | STOP [1:0] | | | CLKEN | CPOL | CPHA | LBCL | Res. | LBDIE | LBDL | ADDM7 | DIS_NSS | Res. | Res. | SLVEN |
| | Reset value | 0 | 0 | 0 | 0 | 0 | 0 | 0 | 0 | 0 | 0 | 0 | 0 | 0 | 0 | 0 | 0 | 0 | 0 | 0 | 0 | 0 | 0 | 0 | 0 | 0 | 0 | 0 | 0 | 0 | 0 | 0 | 0 | 0 | 0 |
| 0x08 | USART_CR3 | TXFTCF G[2:0] | | | RXFTE | RXFTCF G[2:0] | | | TCBGTIE | TXFTIE | Res. | Res. | Res. | SCAR CNT2:0] | | | Res. | DEP | DEM | DDRE | OVRDIS | ONEBIT | CTSIE | CTSE | RTSE | DMAT | DMAR | SCEN | NACK | HDSEL | IRLP | IREN | EIE | | |
| | Reset value | 0 | 0 | 0 | 0 | 0 | 0 | 0 | 0 | 0 | | | | 0 | 0 | 0 | | 0 | 0 | 0 | 0 | 0 | 0 | 0 | 0 | 0 | 0 | 0 | 0 | 0 | 0 | 0 | 0 | 0 | |
| 0x0C | USART_BRR | Res. | Res. | Res. | Res. | Res. | Res. | Res. | Res. | Res. | Res. | Res. | Res. | Res. | Res. | Res. | Res. | BRR[15:0] | | | | | | | | | | | | | | | | | |
| | Reset value | | | | | | | | | | | | | | | | | 0 | 0 | 0 | 0 | 0 | 0 | 0 | 0 | 0 | 0 | 0 | 0 | 0 | 0 | 0 | 0 | | |
| 0x10 | USART_GTPR | Res. | Res. | Res. | Res. | Res. | Res. | Res. | Res. | Res. | Res. | Res. | Res. | Res. | Res. | Res. | Res. | GT[7:0] | | | | | PSC[7:0] | | | | | | | | | | | | |
| | Reset value | | | | | | | | | | | | | | | | | 0 | 0 | 0 | 0 | 0 | 0 | 0 | 0 | 0 | 0 | 0 | 0 | 0 | 0 | 0 | 0 | | |
| 0x14 | USART_RTOR | BLEN[7:0] | | | | | | | | RTO[23:0] | | | | | | | | | | | | | | | | | | | | | | | | | |

| Offset | Register | 31 | 30 | 29 | 28 | 27 | 26 | 25 | 24 | 23 | 22 | 21 | 20 | 19 | 18 | 17 | 16 | 15 | 14 | 13 | 12 | 11 | 10 | 9 | 8 | 7 | 6 | 5 | 4 | 3 | 2 | 1 | 0 | |
|--------|-------------|------|------|------|------|------|------|------|------|------|-------|-------|------|------|------|------|------|------|------|------|-------|-------|------|-------|----------|------|------|------|--------|-------|------|-------|-------|---|
| 0x14 | Reset value | 0 | 0 | 0 | 0 | 0 | 0 | 0 | 0 | 0 | 0 | 0 | 0 | 0 | 0 | 0 | 0 | 0 | 0 | 0 | 0 | 0 | 0 | 0 | 0 | 0 | 0 | 0 | 0 | 0 | 0 | 0 | 0 | 0 |
| 0x18 | USART_RQR | Res. | Res. | Res. | Res. | Res. | Res. | Res. | Res. | Res. | Res. | Res. | Res. | Res. | Res. | Res. | Res. | Res. | Res. | Res. | Res. | Res. | Res. | Res. | Res. | Res. | Res. | Res. | TXFRQ | RXFRQ | MMRQ | SBKRQ | ABRRQ | |
| | Reset value | | | | | | | | | | | | | | | | | | | | | | | | | | | | 0 | 0 | 0 | 0 | 0 | 0 |
| 0x1C | USART_ISR | Res. | Res. | Res. | Res. | Res. | Res. | Res. | Res. | Res. | REACK | TEACK | Res. | RWU | SBKF | CMF | BUSY | ABRF | ABRE | Res. | EOBF | RTOF | CTS | CTSIF | LBDF | TXE | TC | RXNE | IDLE | ORE | NF | FE | PE | |
| | Reset value | | | | | | | | | 0 | 0 | | 0 | 0 | 0 | 0 | 0 | 0 | 0 | 0 | 0 | 0 | 0 | 0 | 0 | 1 | 0 | 0 | 0 | 0 | 0 | 0 | 0 | 0 |
| 0x20 | USART_ICR | Res. | Res. | Res. | Res. | Res. | Res. | Res. | Res. | Res. | Res. | Res. | Res. | Res. | Res. | CMCF | Res. | Res. | Res. | Res. | EOBCF | RTOCF | Res. | CTSCF | LBDCF | Res. | TCCF | Res. | IDLECF | ORECF | NECF | FECF | PECF | |
| | Reset value | | | | | | | | | | | | | | | 0 | | | | | 0 | 0 | | 0 | 0 | | 0 | | 0 | 0 | 0 | 0 | 0 | |
| 0x24 | USART_RDR | Res. | Res. | Res. | Res. | Res. | Res. | Res. | Res. | Res. | Res. | Res. | Res. | Res. | Res. | Res. | Res. | Res. | Res. | Res. | Res. | Res. | Res. | Res. | RDR[8:0] | | | | | | | | | |
| | Reset value | | | | | | | | | | | | | | | | | | | | | | | | 0 | 0 | 0 | 0 | 0 | 0 | 0 | 0 | 0 | 0 |
| 0x28 | USART_TDR | Res. | Res. | Res. | Res. | Res. | Res. | Res. | Res. | Res. | Res. | Res. | Res. | Res. | Res. | Res. | Res. | Res. | Res. | Res. | Res. | Res. | Res. | Res. | TDR[8:0] | | | | | | | | | |
| | Reset value | | | | | | | | | | | | | | | | | | | | | | | | 0 | 0 | 0 | 0 | 0 | 0 | 0 | 0 | 0 | 0 |



| Offset | Register | 31 | 30 | 29 | 28 | 27 | 26 | 25 | 24 | 23 | 22 | 21 | 20 | 19 | 18 | 17 | 16 | 15 | 14 | 13 | 12 | 11 | 10 | 9 | 8 | 7 | 6 | 5 | 4 | 3 | 2 | 1 | 0 |
|--------|-------------|------|------|------|------|------|------|------|------|------|------|------|------|------|------|------|------|------|------|------|------|------|------|------|------|------|------|------|------|------|------|------|------|
| 0x2C | USART_PRESC | Res. | Res. | Res. | Res. | Res. | Res. | Res. | Res. | Res. | Res. | Res. | Res. | Res. | Res. | Res. | Res. | Res. | Res. | Res. | Res. | Res. | Res. | Res. | Res. | Res. | Res. | Res. | Res. | Res. | Res. | Res. | Res. |
| | Reset value | | | | | | | | | | | | | | | | | | | | | | | | | | | | | 0 | 0 | 0 | 0 |

Refer to [Section 2.2.2: Memory map and register boundary addresses](#) for the register boundary addresses.

23 Universal Asynchronous Receiver Transmitter (LPUART)

23.1 LPUART introduction

The low-power universal asynchronous receiver transmitter (LPUART) is a UART that allows bidirectional UART communications with a limited power consumption. Only 32.768 kHz LSE clock is required to allow UART communications up to 9600 baud/s. Higher baud rates can be reached when the LPUART is clocked by clock sources different from the LSE clock.

Even when the microcontroller is in Deepstop mode, the LPUART can wait for an incoming UART frame while having an extremely low energy consumption. The LPUART includes all the necessary hardware support to make asynchronous serial communications possible with minimum power consumption.

It supports half-duplex single wire communications and modem operations (CTS/RTS).

It also supports multiprocessor communications.

DMA (direct memory access) can be used for data transmission/reception.

23.2 LPUART main features

- Full-duplex asynchronous communications
- NRZ standard format (mark/space)
- Programmable baud rate
- From 300 baud/s to 9600 baud/s using a 32.768 kHz clock source
- Higher baud rates can be achieved by using a higher frequency clock source
- Two internal FIFOs to transmit and receive data
- Each FIFO can be enabled/disabled by software and comes with status flags for FIFO states
- Dual clock domain allowing
 - UART functionality and wakeup from Deepstop mode
 - Convenient baud rate programming independent from the PCLK reprogramming
- Programmable data word length (7 or 8 or 9 bits)
- Programmable data order with MSB-first or LSB-first shifting
- Configurable stop bits (1 or 2 stop bits)
- Single-wire half-duplex communications
- Continuous communications using DMA
- Received/transmitted bytes are buffered in reserved SRAM using centralized DMA
- Separate enable bits for transmitter and receiver
- Separate signal polarity control for transmission and reception
- Swappable Tx/Rx pin configuration
- Hardware flow control for modem and RS-485 transceiver
- Transfer detection flags:
 - Receive buffer full
 - Transmit buffer empty
 - Busy and end of transmission flags
- Parity control:
 - Transmits parity bit
 - Checks parity of received data byte
- Four error detection flags:
 - Overrun error
 - Noise detection
 - Frame error
 - Parity error
- Interrupt sources with flags
- Multiprocessor communications

- The LPUART enters mute mode if the address does not match
- Wakeup from mute mode (by idle line detection or address mark detection).

23.3 LPUART functional description

Any LPUART bidirectional communication requires a minimum of two pins: Receive Data In (RX) and Transmit Data Out (TX):

- **RX:** Receive Data Input. This is the serial data input
- **TX:** Transmit Data Output
When the transmitter is disabled, the output pin returns to its I/O port configuration. When the transmitter is enabled and nothing is to be transmitted, the TX pin is at high level. In single-wire mode, this I/O is used to transmit and receive the data.

Through these pins, serial data are transmitted and received in normal LPUART mode as frames comprising:

- An Idle Line prior to transmission or reception
- A start bit
- A data word (7 or 8 or 9 bits) least significant bit first
- 1, 2 Stop bits indicating that the frame is complete
- The LPUART interface uses a baud rate generator
- A status register (LPUART_ISR)
- Receive and transmit data registers (LPUART_RDR,LPUART_TDR)
- A baud rate register(LPUART_BRR).

Refer to [Section 23.5: LPUART registers](#) for the definitions of each bit. The following pins are required in RS232 hardware flow control mode:

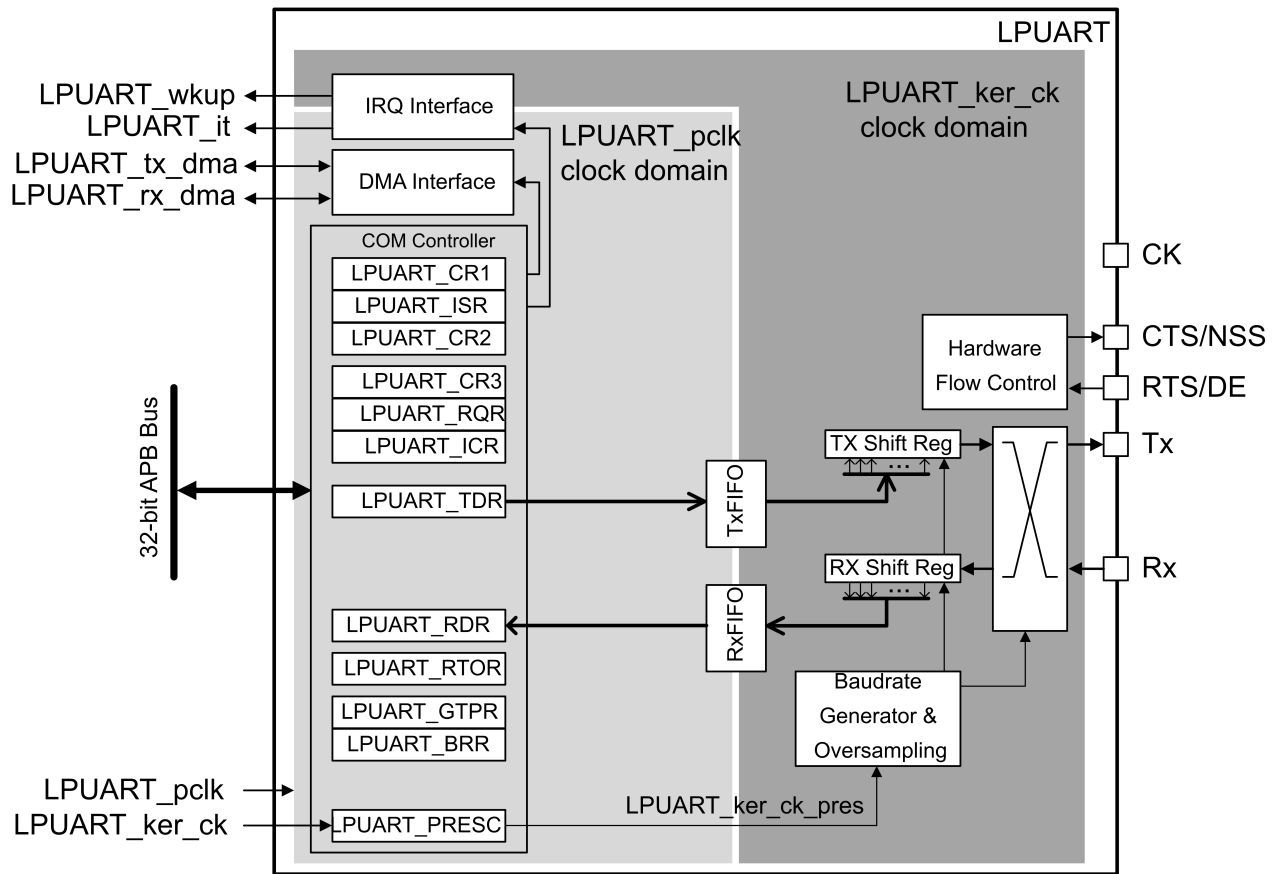
- **nCTS:** Clear To Send blocks the data transmission at the end of the current transfer when high
- **nRTS:** Request to send indicates that the LPUART is ready to receive data (when low).

The following pin is required in RS485 hardware control mode:

- **DE:** Driver enable activates the transmission mode of the external transceiver.

Note: **DE** and **nRTS** share the same pin.

Figure 149. LPUART block diagram



The simplified block diagram given in Figure 149 shows two fully independent clock domains:

- The **lpuart_pclk** clock domain
The **lpuart_pclk** clock signal feeds the peripheral bus interface. It must be active when access to the LPUART registers are required.
- The **lpuart_ker_ck** kernel clock domain
The **lpuart_ker_ck** is the LPUART clock source. It is independent of the **lpuart_pclk** and delivered by the RCC. So, the LPUART registers can be written/read even when the **lpuart_ker_ck** is stopped.

There is no constraint between **lpuart_pclk** and **lpuart_ker_ck**: **lpuart_ker_ck** can be faster or slower than **lpuart_pclk**, with no more limitation than the ability for the software to manage the communication fast enough.

23.3.1 LPUART character description

Word length may be selected as being either 7 or 8 or 9 bits by programming the M bits (M0: bit 12 and M1: bit 28) in the LPUART_CR1 register (see [Figure 125. Word length programming](#)).

- 7-bit character length: M[1:0] =10
- 8-bit character length: M[1:0] =00
- 9-bit character length: M[1:0] =01

In default configuration, the signal (TX or RX) is in low state during the start bit. It is in high state during the stop bit.

These values can be inverted, separately for each signal, through polarity configuration control.

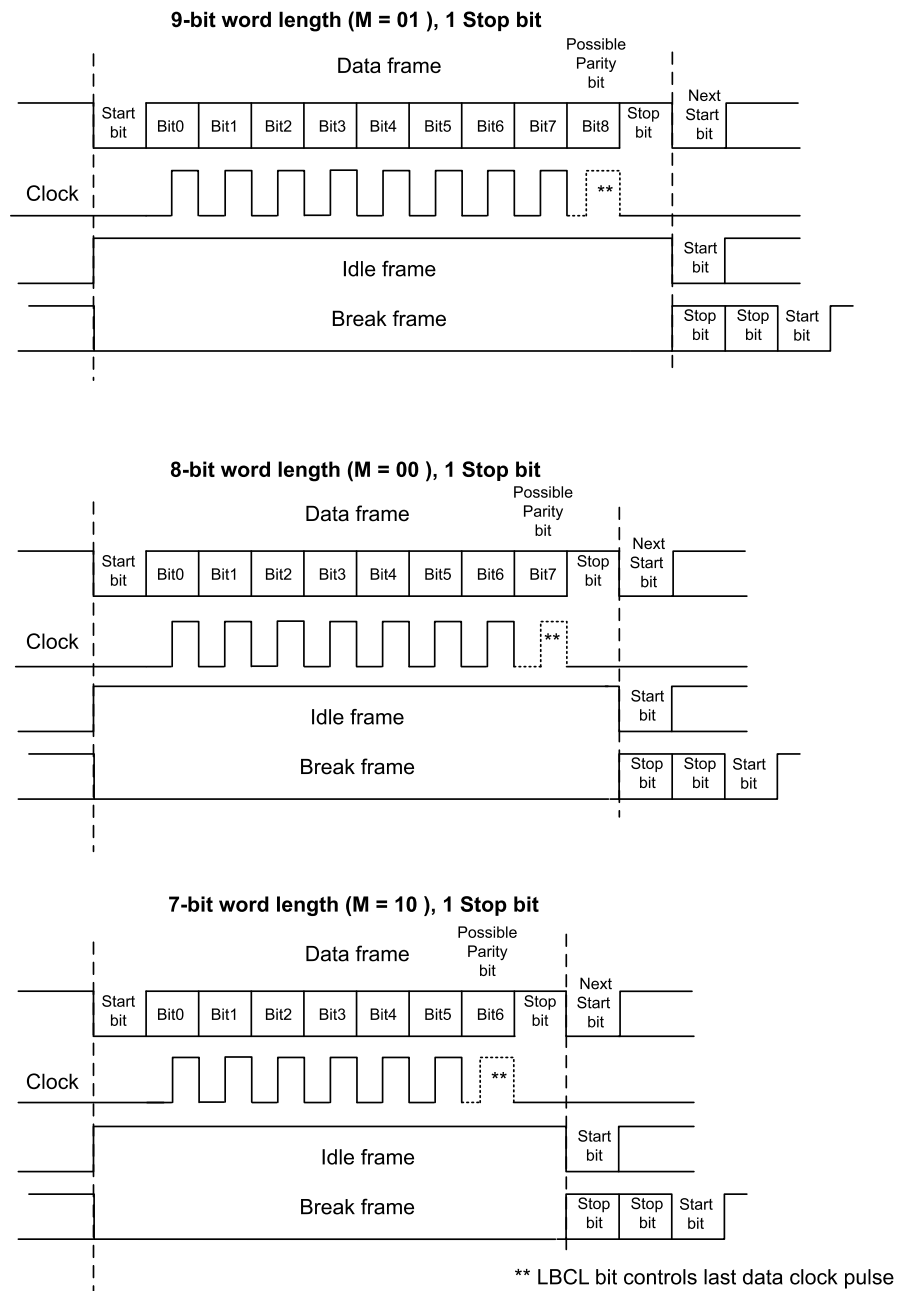
An Idle character is interpreted as an entire frame of "1"s. (The number of "1"s includes the number of stop bits).

A break character is interpreted on receiving "0"s for a frame period. At the end of the break frame, the transmitter inserts 2 stop bits.

Transmission and reception are driven by a common baud rate generator, the clock for each is generated when the enable bit is set respectively for the transmitter and receiver.

The details of each block is given below.

Figure 150. LPUART word length programming



23.3.2 FIFOs and thresholds

The LPUART can operate in FIFO mode, with the FIFO buffers having a depth of 16 bytes. The LPUART comes with a transmit FIFO (TXFIFO) and a receive FIFO (RXFIFO). The FIFO mode is enabled by setting the bit 29 FIFOEN in the USARTx_CR1 register.

Being 9 bits the maximum data word length, the TXFIFO is 9-bits wide. However the RXFIFO is by default 12-bits wide. This is due to the fact that the receiver does not only put the data in the FIFO, but also the error flags associated to each character (Parity error, Noise error and Framing error flags).

Note: The received data is stored in the RXFIFO with its flags. But if RDR is read, just the data is read. The status flags are available in the LPUART_ISR register.

It is possible to define the TXFIFO and RXFIFO levels at which the Tx and RX interrupt are triggered. These thresholds are programmed through bit fields RXFTCFG and TXFTCFG in the LPUART_CR3 control register.

In this case:

- The receive interrupt is generated when the number of received data in the RXFIFO reaches the threshold programmed in the RXFTCFG bit fields.
- The transmit interrupt is generated when the number of empty locations in the TXFIFO reaches the threshold programmed in the TXFTCFG bit fields.

RXFIFO threshold

The RXFIFO threshold is configured using the RXFTCFG bit fields in the LPUART_CR3 register.

When the number of received data is equal to the programmed RXFTCFG, the flag RXFT in the LPUART_ISR register is set.

Having RXFT flag set means that there are RXFTCFG data received: 1 data in LPUART_RDR and (RXFTCFG - 1) data in the RXFIFO. So, when the RXFTCFG is programmed to «101», the RXFT flag is set when 16 data are received: 15 data in the RXFIFO and 1 data in the LPUARTx_RDR. Consequently, the 17th received data does not set the overrun flag.

23.3.3

Transmitter

The transmitter can send data words of either 7 or 8 or 9 bits depending on the M bit status. The transmit enable bit (TE) must be set in order to activate the transmitter function. The data in the transmit shift register is output on the TX pin.

Character transmission

During an LPUART transmission, data shifts out least significant bit first (default configuration) on the TX pin. In this mode, the LPUART_TDR register consists of a buffer (TDR) between the internal bus and the transmit shift register (see [Figure 149. LPUART block diagram](#)).

When FIFO mode is enabled, data written to the LPUART_TDR register is queued in the TXFIFO.

Every character is preceded by a start bit which is a logic level low for one bit period. The character is terminated by a configurable number of stop bits.

The following stop bits are supported by LPUART: 1 and 2 stop bits.

Note: The TE bit must be set before writing the data to be transmitted to the LPUART_TDR.

Note: The TE bit should not be reset during transmission of data. Resetting the TE bit during the transmission corrupts the data on the TX pin as the baud rate counters get frozen. The current data being transmitted is lost. An idle frame is sent after the TE bit is enabled.

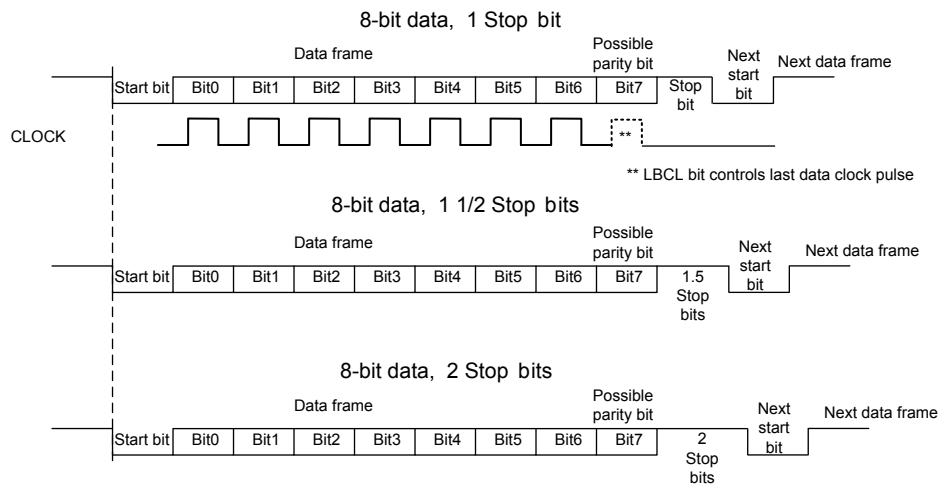
Configurable stop bits

The number of stop bits to be transmitted with every character can be programmed in control register 2, bits 13,12.

- **1 stop bit:** This is the default value of the number of stop bits.
- **2 stop bits:** This is supported by normal LPUART, single-wire and modem modes. An idle frame transmission includes the stop bits.

A break transmission is 10 low bits (when M[1:0] = 00) or 11 low bits (when M[1:0] = 01) or 9 low bits (when M[1:0] = 10) followed by 2 stop bits. It is not possible to transmit long breaks (break of length greater than 9/10/11 low bits).

Figure 151. Configurable stop bits



Character transmission procedure

1. Program the M bits in LPUART_CR1 to define the word length.
2. Select the desired baud rate using the LPUART_BRR register.
3. Program the number of stop bits in LPUART_CR2.
4. Enable the LPUART by writing the UE bit in the LPUART_CR1 register to 1.
5. Select DMA enable (DMAT) in LPUART_CR3 if multi-buffer communication is to take place. Configure the DMA register as explained in [Section 23.3.6: Multiprocessor communication](#).
6. Set the TE bit in LPUART_CR1 to send an idle frame as first transmission.
7. Write the data to send in the LPUART_TDR register. Repeat this for each data to be transmitted in case of single buffer.
 - When FIFO mode is disabled, writing a data in the LPUART_TDR clears the TXE flag.
 - When FIFO mode is enabled, writing a data in the LPUART_TDR adds one data to the TXFIFO and write operations in the LPUART_TDR are made when TXFNF flag is set. This flag remains set until the TXFIFO is full.
8. After writing the last data into the LPUART_TDR register, wait until TC=1. This indicates that the transmission of the last frame is complete. This is required for instance when the LPUART is disabled or enters the Halt mode to avoid corrupting the last transmission.
 - When FIFO mode is disabled, this indicates that the transmission of the last frame is complete.
 - When FIFO mode is enabled, this indicates that both TXFIFO and shift register are empty.

Single byte communication

- When FIFO mode is disabled:

Clearing the TXE bit is always performed by a write to the transmit data register. The TXE flag is set by hardware and it indicates:

- The data has been moved from the LPUART_TDR register to the shift register and the data transmission has started.
- The LPUART_TDR register is empty.
- The next data can be written in the LPUART_TDR register without overwriting the previous data.

This flag generates an interrupt if the TXEIE bit is set.

When a transmission is taking place, a write instruction to the LPUART_TDR register stores the data in the TDR register and is copied in the shift register at the end of the current transmission.

When no transmission is taking place, a write instruction to the LPUART_TDR register places the data in the shift register, the data transmission starts, and the TXE bit is set.

- When FIFO mode is enabled, the TXFNF (TXFIFO Not Full) flag is set by hardware and it indicates:
 - The TXFIFO is not full.
 - The LPUART_TDR register is empty.
 - The next data can be written in the LPUART_TDR register without overwriting the previous data. When a transmission is taking place, a write operation to the LPUART_TDR register stores the data in the TXFIFO. Data are copied from the TXFIFO into the shift register at the end of the current transmission.

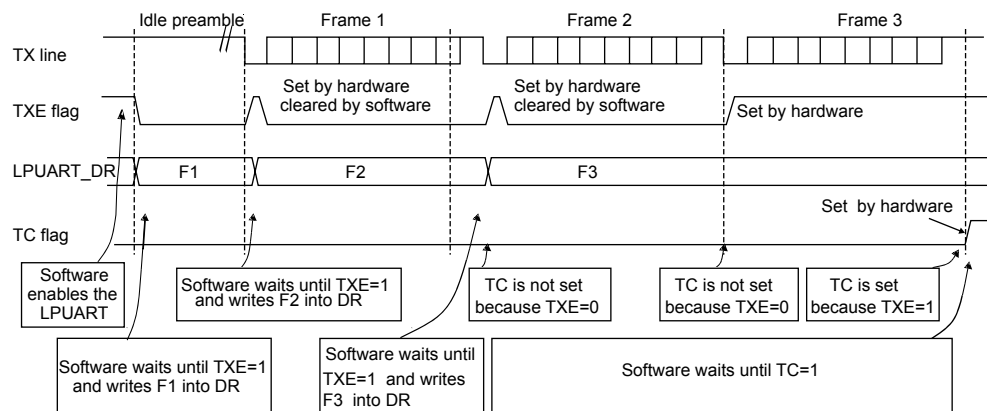
When the TXFIFO is not full, the TXFNF flag stays at 1 even after a write in LPUART_TDR. It is cleared when the TXFIFO is full. This flag generates an interrupt if TXFNEIE bit is set.

Alternatively, interrupts can be generated and data can be written into TXFIFO when the TXFIFO threshold is reached. In this case, the CPU can write a block of data defined by the programmed threshold.

If a frame is transmitted (after the stop bit) and the TXE flag (TXFE in case of FIFO mode) is set, the TC bit goes high. An interrupt is generated if the TCIE bit is set in the LPUART_CR1 register.

After writing the last data in the LPUART_TDR register, it is mandatory to wait for TC=1 before disabling the LPUART or causing the microcontroller to enter the low-power mode (see [Figure 152. TC/TXE behavior when transmitting](#)).

Figure 152. TC/TXE behavior when transmitting



Note: When FIFO management is enabled, the TXFNF flag is used for data transmission.

Break characters

Setting the SBKRQ bit transmits a break character. The break frame length depends on the M bits (see [Figure 120. Bus transfer diagrams for SMBus slave receiver \(SBC=1\)](#)).

If a '1' is written to the SBKRQ bit, a break character is sent on the TX line after completing the current character transmission. The SBKF bit is set by the write operation and it is reset by hardware when the break character is completed (during the stop bits after the break character). The LPUART inserts a logic 1 signal (STOP) for the duration of 2 bits at the end of the break frame to guarantee the recognition of the start bit of the next frame.

When the SBKRQ bit is set, the break character is sent at the end of the current transmission.

When FIFO mode is enabled, sending the break character has priority on sending data even if the TXFIFO is full.

Idle characters

Setting the TE bit drives the LPUART to send an idle frame before the first data frame.

23.3.4 Receiver

The LPUART can receive data words of either 7 or 8 or 9 bits depending on the M bits in the LPUART_CR1 register.

Start bit detection

In LPUART, for START bit detection, a falling edge should be detected first on the Rx line, then a sample is taken in the middle of the start bit to confirm that it is still '0'. If the start sample is at '1', then the noise error flag (NF) is set, then the START bit is discarded and the receiver waits for a new START bit. Otherwise, the receiver continues to sample all incoming bits normally.

Character reception

During an LPUART reception, data shifts in least significant bit first (default configuration) through the RX pin. In this mode, the LPUART_RDR register consists of a buffer (RDR) between the internal bus and the received shift register.

Character reception procedure

1. Program the M bits in LPUART_CR1 to define the word length.
2. Select the desired baud rate using the baud rate register LPUART_BRR.
3. Program the number of stop bits in LPUART_CR2.
4. Enable the LPUART by writing the UE bit in the LPUART_CR1 register to 1.
5. Select DMA enable (DMAR) in LPUART_CR3 if multi-buffer communication is to take place. Configure the DMA register as explained in [Section 23.3.6: Multiprocessor communication](#).
6. Set the RE bit LPUART_CR1. This enables the receiver which begins searching for a start bit.

When a character is received:

- When FIFO mode is disabled, the RXNE bit is set. It indicates that the content of the shift register is transferred to the RDR. In other words, data has been received and can be read (as well as its associated error flags).
- When FIFO mode is enabled, the RXFNE bit is set indicating that the RXFIFO is not empty. A read of LPUART_RDR gets the oldest entry in the RXFIFO. When a data is received, it is stored in the RXFIFO, with error bits associated with that data.
- An interrupt is generated if the RXNEIE (RXFNEIE in case of FIFO mode) bit is set.
- The error flags can be set if a frame error, noise or an overrun error has been detected during reception.
- In multi-buffer communication:
 - When FIFO mode is disabled, the RXNE flag is set after every byte received and is cleared by the DMA read of the Receive Data Register.
 - When FIFO mode is enabled, the RXFNE flag is set when the RXFIFO is not empty. After every DMA request, a data is retrieved from the RXFIFO. DMA request is triggered by RXFIFO if not empty i.e. there is a data in the RXFIFO to be read.
- In single buffer mode:
 - When FIFO mode is disabled, clearing the RXNE bit is performed by a software read to the LPUART_RDR register. The RXNE flag can also be cleared by writing 1 to the RXFRQ in the LPUART_RQR register. The RXNE bit must be cleared before the end of the reception of the next character to avoid an overrun error.
 - When FIFO mode is enabled, the RXFNE flag is set when the RXFIFO is not empty. After every read of the LPUART_RDR register, a data is retrieved from the RXFIFO. When the RXFIFO is empty, the RXFNE flag is cleared. The RXFNE flag can also be cleared by writing 1 to the RXFRQ bit in the LPUART_RQR register. When the RXFIFO is full, the first entry in the RXFIFO must be read before the end of the reception of the next character to avoid an overrun error. The RXFNE flag generates an interrupt if the RXFNEIE bit is set. Alternatively, interrupts can be generated and data can be read from RXFIFO when the RXFIFO threshold is reached. In this case, the CPU can read a block of data defined by the programmed threshold.

Break character

When a break character is received, the LPUART handles it as a framing error.

Idle character

When an idle frame is detected, the procedure is the same as for a received data character plus an interrupt if the IDLEIE bit is set.

Overrun error

- FIFO mode disabled: An overrun error occurs when a character is received when RXNE has not been reset. Data can not be transferred from the shift register to the RDR register until the RXNE bit is cleared. The RXNE flag is set after every byte received. An overrun error occurs if RXNE flag is set when the next data is received or the previous DMA request has not been serviced. When an overrun error occurs:
 - The ORE bit is set
 - The RDR content is not lost. The previous data is available when a read to LPUART_RDR is performed
 - The shift register is overwritten. After that point, any data received during overrun is lost
 - An interrupt is generated if either the RXNEIE bit is set or EIE bit is set.
- FIFO mode enabled: An overrun error occurs when the shift register is ready to be transferred when the receive FIFO is full. Data cannot be transferred from the shift register to the LPUART_RDR register until there is one free location in the RXFIFO. The RXFNE flag is set when the RXFIFO is not empty. An overrun error occurs if the RXFIFO is full and the shift register is ready to be transferred. When an overrun error occurs:
 - The ORE bit is set
 - The first entry in the RXFIFO is not lost. It is available when a read to LPUART_RDR is performed
 - The shift register is overwritten. After that point, any data received during overrun is lost
 - An interrupt is generated if either the RXFNEIE bit is set or EIE bit is set.

The ORE bit is reset by setting the ORECF bit in the ICR register.

Note: The ORE bit, when set, indicates that at least 1 data has been lost.

Note: When the FIFO mode is disabled, there are two possibilities.

- if RXNE=1, then the last valid data is stored in the receive register RDR and can be read
- if RXNE=0, then it means that the last valid data has already been read and thus there is nothing to be read in the RDR. This can occur when the last valid data is read in the RDR at the same time as the new (and lost) data is received.

Selecting the clock source

The choice of the clock source is done through the clock control system (see [Section 6: Reset and clock controller \(RCC\)](#)). The clock source must be chosen before enabling the LPUART (by setting the UE bit).

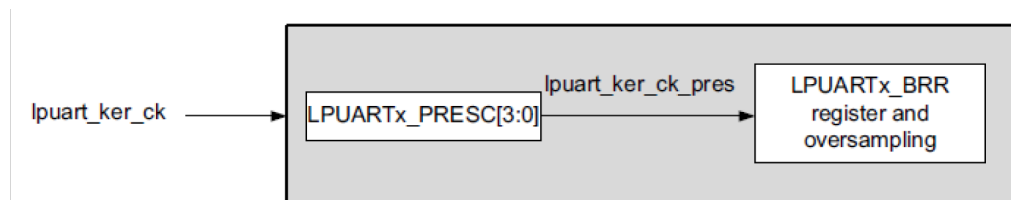
The choice of the clock source must be done according to two criteria:

- Possible use of the LPUART in low-power mode
- Communication speed.

The clock source frequency is lpuart_kern_ck.

When the dual clock domain and the wakeup from Deepstop mode features are supported, the lpuart_kern_ck clock source can be selected through [Section 6: Reset and clock controller \(RCC\)](#). The lpuart_kern_ck can be divided by a programmable factor in the LPUARTx_PRESC register.

Figure 153. lpuart_ker_ck clock divider block diagram



Choosing lpuart_kern_ck as LSE clock source may allow the LPUART to receive data while the MCU is in low-power mode. Depending on the received data and wakeup mode selection, the LPUART wakes up the MCU, when needed, in order to transfer the received data by software reading the LPUART_RDR register or by DMA. For the other clock sources, the system must be active in order to allow LPUART communication.

When the LPUART clock source is configured to be LSE, it is possible to keep enabled this clock during Deepstop mode by setting the UCESM bit in the LPUART_CR3 control register.

The communication speed range (specially the maximum communication speed) is also determined by the clock source.

The receiver samples each incoming baud as close as possible to the middle of the baud-period. Only a single sample is taken of each of the incoming bauds.

Note: There is no noise detection for data.

Framing error

A framing error is detected when the stop bit is not recognized on reception at the expected time, following either a de-synchronization or excessive noise.

When the framing error is detected:

- The FE bit is set by hardware
- The invalid data is transferred from the Shift register to the LPUART_RDR register
- No interrupt is generated in case of single byte communication. However this bit rises at the same time as the RXNE bit which itself generates an interrupt. In case of multi-buffer communication an interrupt is issued if the EIE bit is set in the LPUART_CR3 register.

The FE bit is reset by writing 1 to the FECF in the LPUART_ICR register.

Configurable stop bits during reception

The number of stop bits to be received can be configured through the LPUART_CR2 register control bits: it can be either 1 or 2 in normal mode.

- **1 stop bit:** Sampling for 1 stop bit is done on the 8th, 9th and 10th samples.
- **2 stop bits:** Sampling for the 2 stop bits is done in the middle of the second stop bit. The RXNE and FE flags are set just after this sample, i.e. during the second stop bit. The first stop bit is not checked for framing error.

23.3.5 Baud rate generation

The baud rate for the receiver and transmitter (Rx and Tx) are both set to the same value as programmed in the LPUART_BRR register.

$$Tx/Rxbaud = \frac{256 \times f_{CKPRES}}{LPUARTDIV} \quad (7)$$

LPUARTDIV is coded on the LPUART_BRR register.

Note: The baud counters are updated to the new value in the baud registers after a write operation to LPUART_BRR. Hence the baud rate register value should not be changed during communication. It is forbidden to write values less than 0x300 in the LPUART_BRR register. f_{CK} must be in the range (3 x baud rate) to (4096 x baud rate).

Table 104. Error calculation for programmed baud rates at $f_{ck}=32.768$ KHz

| Baud rate | | $f_{CK}=32.768$ kHz | | |
|-----------|----------|---------------------|--|--|
| S.No | Desired | Actual | Value programmed in the baud rate register | % Error = (calculated - desired) B.rate / desired B.rate |
| 1 | 300 Bps | 300 Bps | 0x6D3A | 0 |
| 2 | 600 Bps | 600 Bps | 0x369D | 0 |
| 3 | 1200 Bps | 1200.087 Bps | 0x1B4E | 0.007 |
| 4 | 2400 Bps | 2400.17 Bps | 0xDA7 | 0.007 |
| 5 | 4800 Bps | 4801.72 Bps | 0x6D3 | 0.035 |
| 6 | 9600 Bps | 9608.94 Bps | 0x369 | 0.093 |

Table 105. Error calculation for programmed baudrates at $f_{ck}=16$ MHz

| Baud rate | | $f_{ck}=16$ MHz | | |
|-----------|-------------|-----------------|--|--|
| S.No | Desired | Actual | Value programmed in the baud rate register | % Error = (calculated - desired) B.rate / desired B.rate |
| 1 | 9.6 kBps | 9.60001 kBps | 0x682AA | 0 |
| 2 | 19.2 kBps | 19.20003 kBps | 0x34155 | 0 |
| 3 | 38.4 kBps | 38.40024 kBps | 0x1A0AA | 0 |
| 4 | 57.6 kBps | 57.60009 kBps | 0x115C7 | 0 |
| 5 | 115.2 kBps | 115.2018 kBps | 0x8AE3 | 0.001 |
| 6 | 230.4 kBps | 230.41008 kBps | 0x4571 | 0.004 |
| 7 | 460.8 kBps | 460.84608 kBps | 0x22B8 | 0.01 |
| 8 | 921.6 kBps | 921.69216 kBps | 0x115C | 0.01 |
| 9 | 1843.2 kBps | 1843.38433 kBps | 0x8AE | 0.01 |
| 10 | 3686.4 kBps | 3686.76867 kBps | 0x457 | 0.01 |

23.3.6 Multiprocessor communication

It is possible to perform multiprocessor communication with the LPUART (with several LPUARTs connected in a network). For instance one of the LPUARTs can be the master, its TX output connected to the RX inputs of the other LPUARTs. The others are slaves, their respective TX outputs are logically ANDed together and connected to the RX input of the master.

In multiprocessor configurations it is often desirable that only the intended message recipient should actively receive the full message contents, thus reducing redundant LPUART service overhead for all non addressed receivers.

The non addressed devices may be placed in mute mode by means of the muting function. In order to use the mute mode feature, the MME bit must be set in the LPUART_CR1 register.

Note: When FIFO management is enabled and MME is already set, MME bit must not be cleared and then set again quickly (within two UCLK cycles), otherwise mute mode might remain active.

In mute mode:

- None of the reception status bits can be set
- All the receive interrupts are inhibited
- The RWU bit in the LPUART_ISR register is set to 1. RWU can be controlled automatically by hardware or by software, through the MMRQ bit in the LPUART_RQR register, under certain conditions.

The LPUART can enter or exit from mute mode using one of two methods, depending on the WAKE bit in the LPUART_CR1 register:

- Idle line detection if the WAKE bit is reset
- Address mark detection if the WAKE bit is set

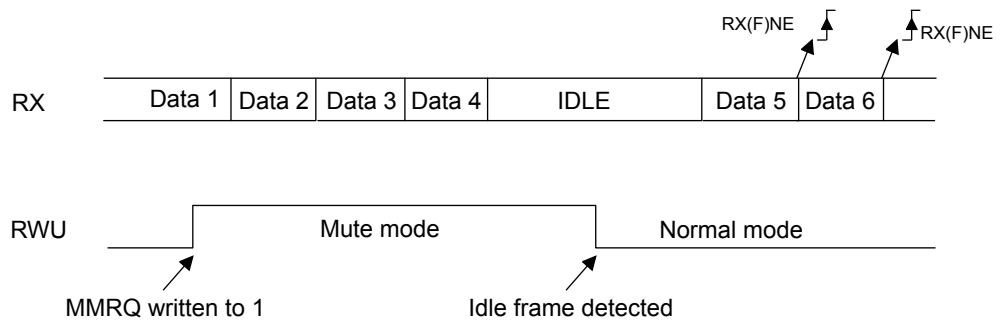
Idle line detection (WAKE=0)

The LPUART enters mute mode when the MMRQ bit is written to 1 and the RWU is automatically set.

It wakes up when an Idle frame is detected. Then the RWU bit is cleared by hardware but the IDLE bit is not set in the LPUART_ISR register. An example of mute mode behavior using Idle line detection is given in

Figure 154. Mute mode using idle line detection.

Figure 154. Mute mode using idle line detection



Note: If the MMRQ is set while the IDLE character has already elapsed, mute mode is not entered (RWU is not set). If the LPUART is activated while the line is IDLE, the idle state is detected after the duration of one IDLE frame (not only after the reception of one character frame).

4-bit/7-bit address mark detection (WAKE=1)

In this mode, bytes are recognized as addresses if their MSB is a '1', otherwise they are considered as data. In an address byte, the address of the targeted receiver is put in the 4 or 7 LSBs. The choice of 7 or 4 bit address detection is done using the ADDM7 bit. This 4-bit/7-bit word is compared by the receiver with its own address which is programmed in the ADD bits in the LPUART_CR2 register.

Note: In 7-bit and 9-bit data modes, address detection is done on 6-bit and 8-bit addresses (ADD[5:0] and ADD[7:0]) respectively.

The LPUART enters mute mode when an address character is received which does not match its programmed address. In this case, the RWU bit is set by hardware. The RXNE flag is not set for this address byte and no interrupt or DMA request is issued when the LPUART enters mute mode.

The LPUART also enters mute mode when the MMRQ bit is written to 1. The RWU bit is also automatically set in this case.

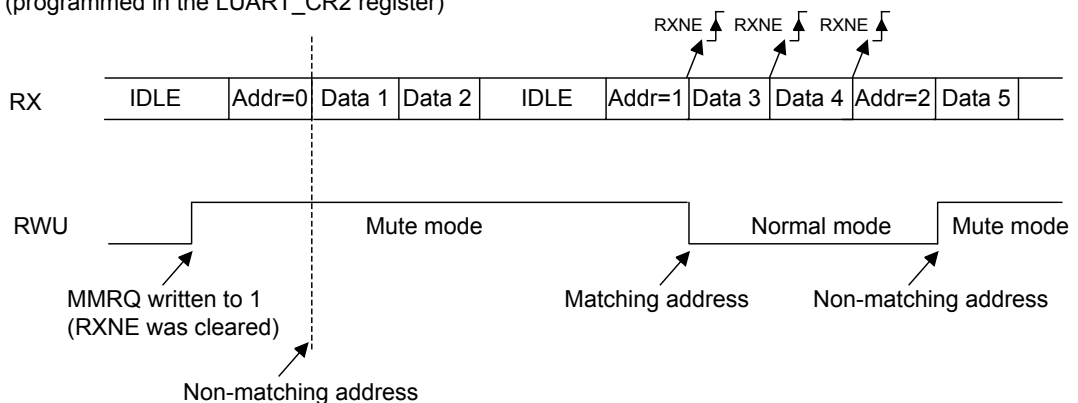
The LPUART exits from mute mode when an address character is received which matches the programmed address. Then the RWU bit is cleared and subsequent bytes are received normally. The RXNE/RXFNE bit is set for the address character since the RWU bit has been cleared.

Note: When FIFO management is enabled, when MMRQ bit is set while the receiver is sampling the last bit of a data; this data may be received before effectively entering in mute mode.

An example of mute mode behavior using address mark detection is given in [Figure 155. Mute mode using address mark detection.](#)

Figure 155. Mute mode using address mark detection

In this example, the current address of the receiver is 1 (programmed in the LPUART_CR2 register)



23.3.7 Parity control

Parity control (generation of parity bit in transmission and parity checking in reception) can be enabled by setting the PCE bit in the LPUART_CR1 register. Depending on the frame length defined by the M bits, the possible LPUART frame formats are as listed in Table 106. Frame formats.

Table 106. Frame formats

| M bits | PCE bit | LPUART frame ⁽¹⁾⁽²⁾ |
|--------|---------|--------------------------------|
| 00 | 0 | SB 8-bit data STB |
| 00 | 1 | SB 7-bit data PB STB |
| 01 | 0 | SB 9-bit data STB |
| 01 | 1 | SB 8-bit data PB STB |
| 10 | 0 | SB 7-bit data STB |
| 10 | 1 | SB 6-bit data PB STB |

1. Legends: SB: start bit, STB: stop bit, PB: parity bit. In the data register the PB is always taking the MSB position (8th or 7th, depending on the M bit value).

2. In the data register, the PB is always taking the MSB position (8th or 7th, depending on the M bit value).

Even parity

The parity bit is calculated to obtain an even number of “1”s inside the frame, which is made of the 6, 7 or 8 LSB bits (depending on M bit values) and the parity bit.

As an example, if data=00110101, and 4 bits are set, then the parity bit is 0 if even parity is selected (PS bit in LPUART_CR1 = 0).

Odd parity

The parity bit is calculated to obtain an odd number of “1”s inside the frame made of the 6, 7 or 8 LSB bits (depending on M bit values) and the parity bit.

As an example, if data=00110101 and 4 bits set, then the parity bit is 1 if odd parity is selected (PS bit in LPUART_CR1 = 1).

Parity checking in reception

If the parity check fails, the PE flag is set in the LPUART_ISR register and an interrupt is generated if PEIE is set in the LPUART_CR1 register. The PE flag is cleared by software writing 1 to the PECF in the LPUART_ICR register.

Parity generation in transmission

If the PCE bit is set in LPUART_CR1, then the MSB bit of the data written in the data register is transmitted but is changed by the parity bit (even number of “1”s if even parity is selected (PS=0) or an odd number of “1”s if odd parity is selected (PS=1)).

23.3.8 Single-wire half-duplex communication

Single-wire half-duplex mode is selected by setting the HDSEL bit in the LPUART_CR3 register.

In this mode, the following bits must be kept cleared:

- LINEN and CLKEN bits in the LPUART_CR2 register
- SCEN and IREN bits in the LPUART_CR3 register

The LPUART can be configured to follow a single-wire half-duplex protocol where the TX and RX lines are internally connected. The selection between half- and full-duplex communication is made with a control bit HDSEL in LPUART_CR3.

As soon as HDSEL is written to 1:

- The TX and RX lines are internally connected
- The RX pin is no longer used
- The TX pin is always released when no data is transmitted. Thus, it acts as a standard I/O in idle or in reception. It means that the I/O must be configured so that TX is configured as alternate function open-drain with an external pull-up.

Apart from this, the communication protocol is similar to normal LPUART mode. Any conflicts on the line must be managed by software (by the use of a centralized arbiter, for instance). In particular, the transmission is never blocked by hardware and continues as soon as data is written in the data register while the TE bit is set.

Note: In LPUART, in the case of 1-STOP bit configuration, the RXNE flag is set in the middle of the STOP bit.

23.3.9 Continuous communication using DMA

The LPUART is capable of performing continuous communication using the DMA. The DMA requests for Rx buffer and Tx buffer are generated independently.

Note: Refer to [Section 22.4: USART implementation](#) to determine if the DMA mode is supported. If DMA is not supported, use the LPUART as explained in [Section 23.3.4: Receiver](#) to perform continuous communication. When FIFO is disabled, the TXE/RXNE flags in the LPUART_ISR register can be cleared.

Transmission using DMA

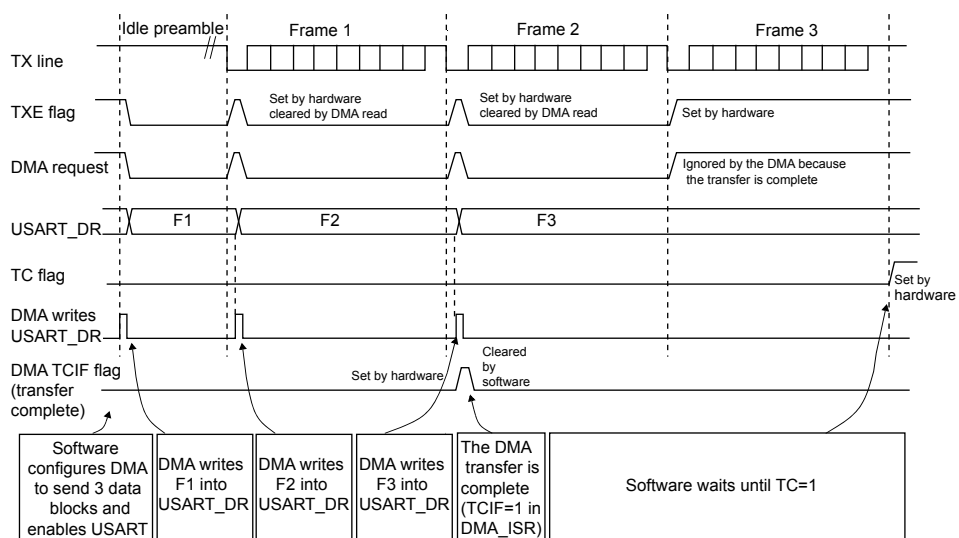
DMA mode can be enabled for transmission by setting DMAT bit in the LPUART_CR3 register. Data is loaded from an SRAM area configured using the DMA peripheral, see [Section 10: DMA controller \(DMA\)](#), to the LPUART_TDR register whenever the TXE flag (TXFNF flag if FIFO mode is enabled) is set. To map a DMA channel for LPUART transmission, use the following procedure (x denotes the channel number):

1. Write the LPUART_TDR register address in the DMA control register to configure it as the destination of the transfer. The data is moved to this address from memory after each TXE (or TXFNF if FIFO mode is enabled) event.
2. Write the memory address in the DMA control register to configure it as the source of the transfer. The data is loaded into the LPUART_TDR register from this memory area after each TXE (or TXFNF if FIFO mode is enabled) event.
3. Configure the total number of bytes to be transferred to the DMA control register.
4. Configure the channel priority in the DMA register.
5. Configure DMA interrupt generation after half/full transfer as required by the application.
6. Clear the TC flag in the LPUART_ISR register by setting the TCCF bit in the LPUART_ICR register.
7. Activate the channel in the DMA register.

When the number of data transfers programmed in the DMA controller is reached, the DMA controller generates an interrupt on the DMA channel interrupt vector.

In transmission mode, once the DMA has written all the data to be transmitted (the TCIF flag is set in the DMA_ISR register), the TC flag can be monitored to make sure that the LPUART communication is complete. This is required to avoid corrupting the last transmission before disabling the LPUART or entering stop mode. Software must wait until TC=1. The TC flag remains cleared during all data transfers and it is set by hardware at the end of transmission of the last frame.

Figure 156. Transmission using DMA



Note: When FIFO management is enabled, the DMA request is triggered by transmit FIFO not full (i.e. TXFNF = 1).

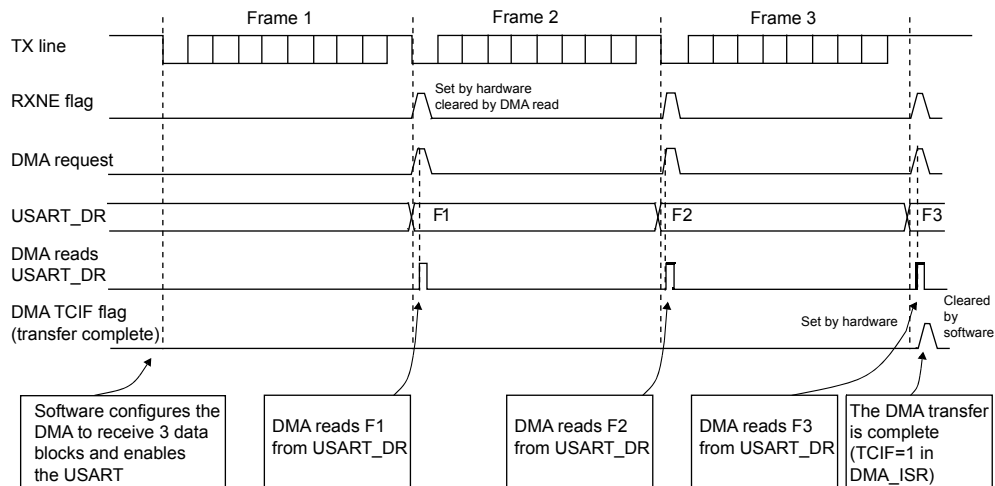
Reception using DMA

DMA mode can be enabled for reception by setting the DMAR bit in the LPUART_CR3 register. Data is loaded from the LPUART_RDR register to an SRAM area configured using the DMA peripheral, refer to [Section 10: DMA controller \(DMA\)](#) whenever a data byte is received. To map a DMA channel for LPUART reception, use the following procedure:

1. Write the LPUART_RDR register address in the DMA control register to configure it as the source of the transfer. The data is moved from this address to the memory after each RXNE (RXFNE in case FIFO mode is enabled) event.
2. Write the memory address in the DMA control register to configure it as the destination of the transfer. The data is loaded from LPUART_RDR to this memory area after each RXNE (RXFNE in case FIFO mode is enabled) event.
3. Configure the total number of bytes to be transferred to the DMA control register.
4. Configure the channel priority in the DMA control register.
5. Configure interrupt generation after half/full transfer as required by the application.
6. Activate the channel in the DMA control register.

When the number of data transfers programmed in the DMA controller is reached, the DMA controller generates an interrupt on the DMA channel interrupt vector.

Figure 157. Reception using DMA



Note: When FIFO management is enabled, the DMA request is triggered by receive FIFO not empty (i.e. RXFNE = 1).

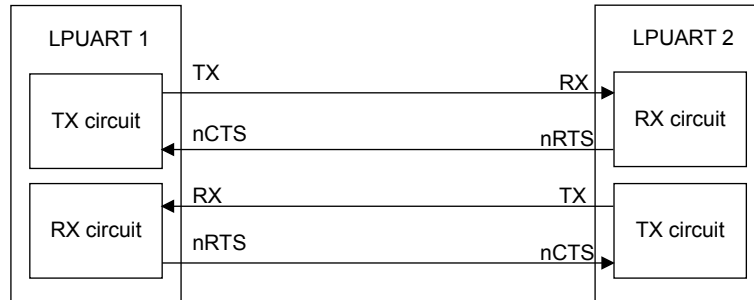
Error flagging and interrupt generation in multi-buffer communication

In multi-buffer communication, if any error occurs during the transaction the error flag is asserted after the current byte. An interrupt is generated if the interrupt enable flag is set. For framing error, overrun error and noise flag which are asserted with RXNE (RXFNE in case FIFO mode is enabled) in single-byte reception, there is a separate error flag interrupt enable bit (EIE bit in the LPUART_CR3 register), which, if set, enables an interrupt after the current byte if any of these errors occur.

23.3.10 RS232 hardware flow control and RS485 driver enable

It is possible to control the serial data flow between 2 devices by using the nCTS input and the nRTS output. Figure 158. Hardware flow control between 2 LPUARTs shows how to connect 2 devices in this mode:

Figure 158. Hardware flow control between 2 LPUARTs

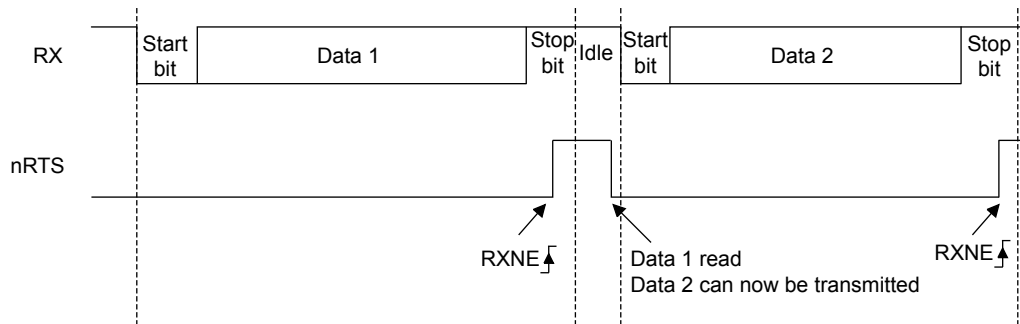


RS232 RTS and CTS flow control can be enabled independently by writing the RTSE and CTSE bits respectively to 1 (in the LPUART_CR3 register).

RS232 RTS flow control

If the RTS flow control is enabled (RTSE=1), then nRTS is asserted (tied low) as long as the LPUART receiver is ready to receive a new data. When the receive register is full, nRTS is deasserted, indicating that the transmission is expected to stop at the end of the current frame. Figure 159. RS232 RTS flow control shows an example of communication with RTS flow control enabled.

Figure 159. RS232 RTS flow control



Note: When FIFO mode is enabled, nRTS is deasserted only when RXFIFO is full.

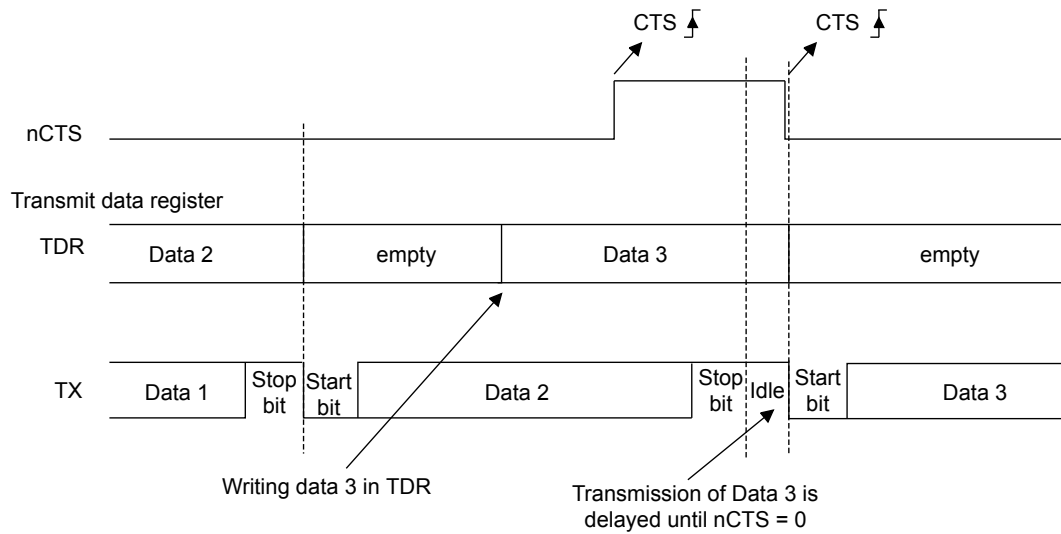
RS232 CTS flow control

If the CTS flow control is enabled (CTSE=1), then the transmitter checks the nCTS input before transmitting the next frame. If nCTS is asserted (tied low), then the next data is transmitted (assuming that data is to be transmitted, in other words, if TXE/TXFE=0), otherwise the transmission does not occur. When nCTS is deasserted during a transmission, the current transmission is completed before the transmitter stops.

When CTSE=1, the CTSIF status bit is automatically set by hardware as soon as the CTS input toggles. It indicates when the receiver becomes ready or not ready for communication.

An interrupt is generated if the CTSIE bit in the LPUART_CR3 register is set. Figure 160. RS232 CTS flow control shows an example of communication with CTS flow control enabled.

Figure 160. RS232 CTS flow control



Note: For a correct behavior, nCTS must be asserted at least 3 LPUART clock source periods before the end of the current character. In addition, it should be noted that the CTSCF flag may not be set for pulses shorter than 2 x PCLK periods.

RS485 driver enable

The driver enable feature is enabled by setting bit DEM in the LPUART_CR3 control register. This allows the user to activate the external transceiver control through the DE (DriverEnable) signal. The assertion time is the time between the activation of the DE signal and the beginning of the START bit. It is programmed using the DEAT [4:0] bit fields in the LPUART_CR1 control register. The deassertion time is the time between the end of the last stop bit, in a transmitted message, and the deactivation of the DE signal. It is programmed using the DEDT [4:0] bit fields in the LPUART_CR1 control register. The polarity of the DE signal can be configured using the DEP bit in the LPUART_CR3 control register.

In LPUART, the DEAT and DEDT are expressed in LPUART clock source (f_{CK}) cycles:

- The driver enable assertion time=
 - $(1 + (DEAT \times P)) \times f_{CK}$, if $P \neq 0$
 - $(1 + DEAT) \times f_{CK}$, if $P = 0$
 - The driver enable deassertion time=
 - $(1 + (DEDT \times P)) \times f_{CK}$, if $P \neq 0$
 - $(1 + DEDT) \times f_{CK}$, if $P = 0$
- with $P = BRR[20:11]$

23.3.11 Wakeup from Deepstop mode

The LPUART is able to wake up the MCU from Deepstop mode when the UESM bit is set and the LPUART clock is set to LSE (refer to [Section 6: Reset and clock controller \(RCC\)](#)).

When FIFO mode is disabled, the MCU wakeup from Deepstop mode can be done using the standard RXNE interrupt. In this case, the RXNEIE bit must be set before entering Deepstop mode.

When FIFO mode is enabled, the MCU wakeup from Deepstop mode can be done using the:

- standard RXFIFO not empty interrupt. In this case, the RXFNEIE bit must be set before entering Deepstop mode
- standard RXFIFO full interrupt. In this case, the RXFFIE bit must be set before entering Deepstop mode
- standard TXFIFO empty interrupt. In this case, the TXFEIE bit must be set before entering Deepstop mode. This allows sending the data in the TXFIFO during Deepstop mode. When all data are sent (i.e. TXFIFO is empty), the MCU wakes up from Deepstop mode.

In order to avoid overrun/underrun errors and transmit/receive data in Deepstop mode, the MCU wakeup from Deepstop mode can be done also using the:

- standard TXFIFO threshold interrupt
- standard RXFIFO threshold interrupt

An application can set the threshold to the maximum RXFIFO size if the wakeup time is less than the time to receive a single byte across the line.

Using the RXFIFO full, TXFIFO empty, and RXFIFO/TXFIFO threshold interrupts to wake up the MCU from Deepstop mode allows doing as many USART transfers as possible during Deepstop mode with the benefit of optimizing consumption.

Alternatively, a specific interrupt may be selected through the WUS bit fields.

In order to be able to wake up the MCU from Deepstop mode, the UESM bit in the USART_CR1 control register must be set before entering Deepstop mode.

When the wakeup event is detected, the WUF flag is set by hardware and a wakeup interrupt is generated if the WUFIE bit is set.

Note: Before entering Deepstop mode, the user must ensure that the USART is not performing a transfer. BUSY flag cannot ensure that Deepstop mode is never entered during a running reception.

Note: The WUF flag is set when a wakeup event is detected, independently of whether the MCU is in Deepstop or in an active mode.

Note: When entering Deepstop mode just after having initialized and enabled the receiver, the REACK bit must be checked to ensure the USART is actually enabled.

Note: When DMA is used for reception, it must be disabled before entering Deepstop mode and re-enabled upon exit from Deepstop mode.

Note: The wakeup from Deepstop mode feature is not available for all modes. For example it doesn't work in SPI mode because the SPI operates in master mode only.

Note: When FIFO is enabled, the wakeup from Deepstop mode on address match is only possible when mute mode is enabled.

Using Mute mode with Deepstop mode

If the USART is put into Mute mode before entering Deepstop mode:

- Wakeup from Mute mode on idle detection must not be used, because idle detection cannot work in Deepstop mode
- If the wakeup from Mute mode on address match is used, then the source of wakeup from Deepstop mode must also be the address match. If the RXNE flag is set when entering the Deepstop mode, the interface remains in mute mode upon address match and wakeup from Deepstop.

Note: When FIFO management is enabled, mute mode is used with wakeup from Deepstop mode without any constraints (i.e. the two points mentioned above about mute and Deepstop mode are valid only when FIFO management is disabled).

23.4 LPUART interrupts

These events generate an interrupt if the corresponding enable control bit is set.

Table 107. LPUART interrupts

| Interrupt event | Event flag | Enable Control bit | Interrupt clear method | Interrupt activated | |
|--|---------------------|--------------------|--|---------------------|-------------|
| | | | | lpuart_it | lpuart_wkup |
| Transmit data register empty | TXE | TXEIE | TXE cleared when a data is written in TDR | YES | NO |
| Transmit FIFO not full | TXFNF | TXFNFIE | TXFNF cleared when TXFIFO is full | YES | NO |
| Transmit FIFO empty | TXFE | TXFEIE | TXFE cleared when the TXFIFO contains at least one data or by setting TXFRQ bit | YES | YES |
| Transmit FIFO threshold reached | TXFT | TXFTIE | TXFT cleared by hardware when the TXFIFO content is less than programmed threshold | YES | YES |
| CTS interrupt | CTSIF | CTSIE | CTSIF cleared by software by setting CTSCF bit | YES | NO |
| Transmission complete | TC | TCIE | TC cleared when a data is written in TDR or by setting TCCF bit | YES | NO |
| Receive data register not empty (data ready to be read) | RXNE | RXNEIE | RXNE cleared by reading RDR or by setting RXFRQ bit | YES | YES |
| Receive FIFO not empty | RXFNE | RXFNEIE | RXFNE cleared when the RXFIFO is empty or by setting RXFRQ bit | YES | YES |
| Receive FIFO full | RXFF ⁽¹⁾ | RXFFIE | RXFF cleared when the RXFIFO contains at least one data | YES | YES |
| Receive FIFO threshold reached | RXFT | RXFTIE | RXFT cleared by hardware when the RXFIFO content is less than programmed threshold | YES | YES |
| Overrun error detected | ORE | RX-NEIE/RX-FNEIE | ORE cleared by setting ORECF bit | YES | NO |
| Idle line detected | IDLE | IDLEIE | IDLE cleared by setting IDLECF bit | YES | NO |
| Parity error | PE | PEIE | PE cleared by setting PECF bit | YES | NO |
| Noise error, overrun error and framing error in multi-buffer communication | NE or ORE or FE | EIE | NE cleared by setting NECF bit. ORE cleared by setting ORECF bit. FE flag cleared by setting FECF bit. | YES | NO |
| Character match | CMF | CMIE | CMF cleared by setting CMCF bit | YES | NO |
| Wakeup from low-power mode | ⁽²⁾ | WUFIE | WUF is cleared by setting WUCF bit | YES | YES |

- RXFF flag is asserted if the LPUART receives n+1 data (n being the RXFIFO size): n data in the RXFIFO and 1 data in LPUART_RDR. In DEESTOP mode, LPUART_RDR is not clocked. As a result, this register is not written and once n data are received and written in the RXFIFO, the RXFF interrupt is asserted (RXFF flag is not set).*
- The WUF interrupt is active only in low-power mode*

23.5 LPUART registers

Refer to [Section 1.5: Acronyms](#) for a list of abbreviations used in register descriptions.

23.5.1 Control register 1 (LPUART_CR1)

Address offset: 0x00

Reset value: 0x0000

| | | | | | | | | | | | | | | | |
|--------|--------|--------|----|------|------|-----------|------|-----------------|------|-------------------|--------|----|----|------|----|
| 31 | 30 | 29 | 28 | 27 | 26 | 25 | 24 | 23 | 22 | 21 | 20 | 19 | 18 | 17 | 16 |
| RXFFIE | TXFEIE | FIFOEN | M1 | Res. | Res. | DEAT[4:0] | | | | DEDT[4:0] | | | | | |
| rw | rw | rw | rw | | | rw | rw | rw | rw | rw | rw | rw | rw | rw | rw |
| 15 | 14 | 13 | 12 | 11 | 10 | 9 | 8 | 7 | 6 | 5 | 4 | 3 | 2 | 1 | 0 |
| Res. | CMIE | MME | M0 | WAKE | PCE | PS | PEIE | TXEIE TXFNIE | TCIE | RXNEIE RXFNEIE | IDLEIE | TE | RE | UESM | UE |
| | rw | rw | rw | rw | rw | rw | rw | rw | rw | rw | rw | rw | rw | rw | rw |

| | |
|------------|---|
| Bit 31 | <p>RXFFIE: RXFIFO full interrupt enable. This bit is set and cleared by software.</p> <p>0: Interrupt is inhibited</p> <p>1: An LPUART interrupt is generated when RXFF=1 in the LPUART_ISR register</p> <p>Note: When FIFO mode is disabled, this bit is reserved and must be kept at reset value.</p> |
| Bit 30 | <p>TXFEIE: TXFIFO empty interrupt enable. This bit is set and cleared by software.</p> <p>0: Interrupt is inhibited</p> <p>1: An LPUART interrupt is generated when TXFE=1 in the LPUART_ISR register.</p> <p>Note: When FIFO mode is disabled, this bit is reserved and must be kept at reset value.</p> |
| Bit 29 | <p>FIFOEN: FIFO mode enable.</p> <p>This bit is set and cleared by software.</p> <p>0: FIFO mode is disabled</p> <p>1: FIFO mode is enabled</p> |
| Bit 28 | <p>M1: Word length.</p> <p>This bit, with bit 12 (M0) determines the word length. It is set or cleared by software.</p> <p>M[1:0] = 00: 1 start bit, 8 data bits, n stop bit</p> <p>M[1:0] = 01: 1 start bit, 9 data bits, n stop bit</p> <p>M[1:0] = 10: 1 start bit, 7 data bits, n Stop bit</p> <p>This bit can only be written when the LPUART is disabled (UE=0).</p> <p>Note: in 7-bits data length mode, the Smartcard mode, LIN master mode and auto baud rate (0x7F and 0x55 frames detection) are not supported.</p> |
| Bit 27 | Reserved, must be kept at reset value. |
| Bit 26 | Reserved, must be kept at reset value. |
| Bits 25:21 | <p>DEAT[4:0]: Driver enable assertion time.</p> <p>This 5-bit value defines the time between the activation of the DE (driver enable) signal and the beginning of the start bit. It is expressed in UCLK (LPUART clock) clock cycles.</p> <p>For more details, refer to RS485 driver enable section.</p> <p>This bit field can only be written when the LPUART is disabled (UE=0).</p> |
| Bits 20:16 | <p>DEDT[4:0]: Driver enable de-assertion time.</p> <p>This 5-bit value defines the time between the end of the last stop bit, in a transmitted message, and the de-activation of the DE (Driver Enable) signal. It is expressed in UCLK (LPUART clock) clock cycles. For more details, refer to RS485 driver enable section. If the LPUART_TDR register is written during the DEDT time, the new data is transmitted only when the DEDT and DEAT times have both elapsed.</p> |

| | |
|--------|---|
| | This bit field can only be written when the LPUART is disabled (UE=0). |
| Bit 15 | Reserved, must be kept at reset value. |
| Bit 14 | <p>CMIE: Character match interrupt enable. This bit is set and cleared by software.</p> <p>0: Interrupt is inhibited</p> <p>1: An LPUART interrupt is generated when the CMF bit is set in the LPUART_ISR register</p> |
| Bit 13 | <p>MME: Mute mode enable.</p> <p>This bit activates the mute mode function of the LPUART. When set, the LPUART can switch between the active and mute modes, as defined by the WAKE bit. It is set and cleared by software.</p> <p>0: Receiver in active mode permanently</p> <p>1: Receiver can switch between mute mode and active mode</p> |
| Bit 12 | <p>M0: Word length.</p> <p>This bit, with bit 28 (M1) determines the word length. It is set or cleared by software. See Bit 28 (M1) description.</p> <p>This bit can only be written when the LPUART is disabled (UE=0).</p> |
| Bit 11 | <p>WAKE: Receiver wakeup method.</p> <p>This bit determines the LPUART wakeup method from mute mode. It is set or cleared by software.</p> <p>0: Idle line</p> <p>1: Address mark</p> <p>This bit field can only be written when the LPUART is disabled (UE=0).</p> |
| Bit 10 | <p>PCE: Parity control enable.</p> <p>This bit selects the hardware parity control (generation and detection). When the parity control is enabled, the computed parity is inserted at the MSB position (9th bit if M=1; 8th bit if M=0) and parity is checked on the received data. This bit is set and cleared by software. Once it is set, PCE is active after the current byte (in reception and in transmission).</p> <p>0: Parity control disabled</p> <p>1: Parity control enabled</p> <p>This bit field can only be written when the LPUART is disabled (UE=0).</p> |
| Bit 9 | <p>PS: Parity selection.</p> <p>This bit selects the odd or even parity when the parity generation/detection is enabled (PCE bit set). It is set and cleared by software. The parity is selected after the current byte.</p> <p>0: Even parity</p> <p>1: Odd parity</p> <p>This bit field can only be written when the LPUART is disabled (UE=0).</p> |
| Bit 8 | <p>PEIE: PE interrupt enable.</p> <p>This bit is set and cleared by software.</p> <p>0: Interrupt is inhibited</p> <p>1: An LPUART interrupt is generated whenever PE=1 in the LPUART_ISR register</p> |
| Bit 7 | <p>TXEIE/TXFNFIE: Transmit data register empty/TXFIFO not full interrupt enable. This bit is set and cleared by software.</p> <p>0: Interrupt is inhibited</p> <p>1: An LPUART interrupt is generated whenever TXE/TXFNF=1 in the LPUART_ISR register</p> |
| Bit 6 | <p>TCIE: Transmission complete interrupt enable. This bit is set and cleared by software.</p> <p>0: Interrupt is inhibited</p> <p>1: An LPUART interrupt is generated whenever TC=1 in the LPUART_ISR register</p> |
| Bit 5 | <p>RXNEIE/RXFNEIE: Receive data register not empty/RXFIFO not empty interrupt enable. This bit is set and cleared by software.</p> <p>0: Interrupt is inhibited</p> <p>1: An LPUART interrupt is generated whenever ORE=1 or RXNE/RXFNE=1 in the LPUART_ISR register</p> |

| | |
|-------|--|
| Bit 4 | <p>IDLEIE: IDLE interrupt enable.</p> <p>This bit is set and cleared by software.</p> <p>0: Interrupt is inhibited</p> <p>1: An LPUART interrupt is generated whenever IDLE=1 in the LPUART_ISR register</p> |
| Bit 3 | <p>TE: Transmitter enable.</p> <p>This bit enables the transmitter. It is set and cleared by software.</p> <p>0: Transmitter is disabled</p> <p>1: Transmitter is enabled</p> <p>Note: During transmission, a “0” pulse on the TE bit (“0” followed by “1”) sends a preamble (idle line) after the current word. In order to generate an idle character, the TE must not be immediately written to 1. In order to ensure the required duration, the software can poll the TEACK bit in the LPUART_ISR register.</p> <p>When TE is set there is a 1 bit-time delay before the transmission starts.</p> |
| Bit 2 | <p>RE: Receiver enable.</p> <p>This bit enables the receiver. It is set and cleared by software.</p> <p>0: Receiver is disabled</p> <p>1: Receiver is enabled and begins searching for a start bit</p> |
| Bit 1 | <p>UESM: LPUART enable in Deepstop mode</p> <p>When this bit is cleared, the LPUART is not able to wake up the MCU from Deepstop mode. When this bit is set, the LPUART is able to wake up the MCU from Deepstop mode, provided that the LPUART clock selection is LSE in the RCC. This bit is set and cleared by software.</p> <p>0: LPUART not able to wake up the MCU from Deepstop mode.</p> <p>1: LPUART able to wake up the MCU from Deepstop mode. When this function is active, the clock source for the LPUART must be LSE (see Section 6: Reset and clock controller (RCC)).</p> <p>Note: It is recommended to set the UESM bit just before entering Deepstop mode and clear it on exit from Deepstop mode.</p> |
| Bit 0 | <p>UE: LPUART enable.</p> <p>When this bit is cleared, the LPUART prescalers and outputs are stopped immediately, and current operations are discarded. The configuration of the LPUART is kept, but all the status flags, in the LPUART_ISR are reset. This bit is set and cleared by software.</p> <p>0: LPUART prescaler and outputs disabled, low-power mode</p> <p>1: LPUART enabled</p> <p>Note: In order to go into low-power mode without generating errors on the line, the TE bit must be reset before and the software must wait for the TC bit in the LPUART_ISR to be set before resetting the UE bit.</p> <p>The DMA requests are also reset when UE = 0 so the DMA channel must be disabled before resetting the UE bit.</p> |

23.5.2 Control register 2 (LPUART_CR2)

Address offset: 0x04

Reset value: 0x0000

| | | | | | | | | | | | | | | | |
|----------|------|-----------|----|----------|------|------|------|------|------|------|-------|-----------|---------|-------|-------|
| 31 | 30 | 29 | 28 | 27 | 26 | 25 | 24 | 23 | 22 | 21 | 20 | 19 | 18 | 17 | 16 |
| ADD[7:4] | | | | ADD[3:0] | | | | Res. | Res. | Res. | Res. | MSBFI RST | DATAINV | TXINV | RXINV |
| rw | rw | rw | rw | rw | rw | rw | rw | | | | | rw | rw | rw | rw |
| 15 | 14 | 13 | 12 | 11 | 10 | 9 | 8 | 7 | 6 | 5 | 4 | 3 | 2 | 1 | 0 |
| SWAP | Res. | STOP[1:0] | | Res. | Res. | Res. | Res. | Res. | Res. | Res. | ADDM7 | Res. | Res. | Res. | Res. |
| rw | | rw | rw | | | | | | | | rw | | | | |

| | |
|------------|---|
| Bits 31:28 | <p>ADD[7:4]: Address of the LPUART node.</p> <p>This bit-field gives the address of the LPUART node or a character code to be recognized.</p> <p>This is used in multiprocessor communication during mute mode or stop mode, for wakeup with 7-bit address mark detection. The MSB of the character sent by the transmitter should be equal to 1. It may also be used for character detection during normal reception, mute mode inactive (for example, end of block detection in ModBus protocol). In this case, the whole received character (8-bit) is compared to the ADD[7:0] value and CMF flag is set on match.</p> <p>This bit field can only be written when reception is disabled (RE=0) or the LPUART is disabled (UE=0).</p> |
| Bits 27:24 | <p>ADD[3:0]: Address of the LPUART node.</p> <p>This bit-field gives the address of the LPUART node or a character code to be recognized.</p> <p>This is used in multiprocessor communication during Mute mode or Stop mode, for wakeup with address mark detection.</p> <p>This bit field can only be written when reception is disabled (RE=0) or the LPUART is disabled (UE=0)</p> |
| Bit 23:20 | Reserved, must be kept at reset value. |
| Bit 19 | <p>MSBFIRST: Most significant bit first.</p> <p>This bit is set and cleared by software.</p> <p>0: Data is transmitted/received with data bit 0 first, following the start bit</p> <p>1: Data is transmitted/received with the MSB (bit 7/8) first, following the start bit. This bit field can only be written when the LPUART is disabled (UE=0).</p> |
| Bit 18 | <p>DATAINV: Binary data inversion.</p> <p>This bit is set and cleared by software.</p> <p>0: Logical data from the data register are sent/received in positive/direct logic. (1=H, 0=L)</p> <p>1: Logical data from the data register are sent/received in negative/inverse logic. (1=L, 0=H). The parity bit is also inverted.</p> <p>This bit field can only be written when the LPUART is disabled (UE=0).</p> |
| Bit 17 | <p>TXINV: TX pin active level inversion. This bit is set and cleared by software.</p> <p>0: TX pin signal works using the standard logic levels (VDD =1/idle, Gnd=0/mark)</p> <p>1: TX pin signal values are inverted. (VDD=0/mark, Gnd=1/idle). This allows the use of an external inverter on the TX line.</p> <p>This bit field can only be written when the LPUART is disabled (UE=0).</p> |
| Bit 16 | <p>RXINV: RX pin active level inversion. This bit is set and cleared by software.</p> <p>0: RX pin signal works using the standard logic levels (VDD =1/idle, Gnd=0/mark)</p> <p>1: RX pin signal values are inverted. (VDD =0/mark, Gnd=1/idle). This allows the use of an external inverter on the RX line.</p> <p>This bit field can only be written when the LPUART is disabled (UE=0).</p> |
| Bit 15 | <p>SWAP: Swap TX/RX pins.</p> <p>This bit is set and cleared by software.</p> <p>0: TX/RX pins are used as defined in standard pinout</p> |

| | |
|------------|--|
| | <p>1: The TX and RX pins functions are swapped. This allows to work in the case of a cross-wired connection to another UART.</p> <p>This bit field can only be written when the LPUART is disabled (UE=0).</p> |
| Bit 14 | Reserved, must be kept at reset value. |
| Bits 13:12 | <p>STOP[1:0]: STOP bits.</p> <p>These bits are used for programming the stop bits.</p> <p>00: 1 stop bit</p> <p>01: Reserved</p> <p>10: 2 stop bits</p> <p>11: Reserved</p> <p>This bit field can only be written when the LPUART is disabled (UE=0).</p> |
| Bit 11:5 | Reserved, must be kept at reset value. |
| Bit 4 | <p>ADDM7: 7-bit Address Detection/4-bit Address Detection.</p> <p>This bit is for selection between 4-bit address detection or 7-bit address detection.</p> <p>0: 4-bit address detection</p> <p>1: 7-bit address detection (in 8-bit data mode)</p> <p>This bit can only be written when the LPUART is disabled (UE=0).</p> <p>Note: In 7-bit and 9-bit data modes, the address detection is done on 6-bit and 8-bit address (ADD[5:0] and ADD[7:0]) respectively.</p> |
| Bits 3:0 | Reserved, must be kept at reset value. |

23.5.3 Control register 3 (LPUART_CR3)

Address offset: 0x08

Reset value: 0x0000

| | | | | | | | | | | | | | | | |
|---------|-----|------|----------|---------|-------|------|------|--------|-------|----------|------|--------|------|------|------|
| 31 | 30 | 29 | 28 | 27 | 26 | 25 | 24 | 23 | 22 | 21 | 20 | 19 | 18 | 17 | 16 |
| TXFTCFG | | | RXFTI E. | RXFTCFG | | | Res. | TXFTIE | WUFIE | WUS[2:0] | | Res. | Res. | Res. | Res. |
| rw | | | rw | rw | | | | rw | rw | rw | rw | | | | |
| 15 | 14 | 13 | 12 | 11 | 10 | 9 | 8 | 7 | 6 | 5 | 4 | 3 | 2 | 1 | 0 |
| DEP | DEM | DDRE | OVRDIS | Res. | CTSIE | CTSE | RTSE | DMAT | DMAR | Res. | Res. | HD SEL | Res. | Res. | EIE |
| rw | rw | rw | rw | | rw | rw | rw | rw | rw | | | rw | | | rw |

| | |
|---------------|--|
| Bits 31:29 | <p>TXFTCFG: TXFIFO threshold configuration.</p> <p>000: TXFIFO reaches 1/8 of its depth</p> <p>001: TXFIFO reaches 1/4 of its depth</p> <p>110: TXFIFO reaches 1/2 of its depth</p> <p>011: TXFIFO reaches 3/4 of its depth</p> <p>100: TXFIFO reaches 7/8 of its depth</p> <p>101: TXFIFO becomes empty</p> <p>Remaining combinations: Reserved.</p> |
| Bit28 | <p>RXFTIE: RXFIFO threshold interrupt enable. This bit is set and cleared by software.</p> <p>0: Interrupt is inhibited</p> <p>1: An LPUART interrupt is generated when Receive FIFO reaches the threshold programmed in RXFTCFG</p> |
| Bits 27:25 | <p>RXFTCFG: Receive FIFO threshold configuration.</p> <p>000: Receive FIFO reaches 1/8 of its depth</p> <p>001: Receive FIFO reaches 1/4 of its depth</p> <p>110: Receive FIFO reaches 1/2 of its depth</p> <p>011: Receive FIFO reaches 3/4 of its depth</p> <p>100: Receive FIFO reaches 7/8 of its depth</p> <p>101: Receive FIFO becomes full</p> <p>Remaining combinations: Reserved.</p> |
| Bit 24 | Reserved, must be kept at reset value. |
| Bit 23 | <p>TXFTIE: TXFIFO threshold interrupt enable. This bit is set and cleared by software.</p> <p>0: Interrupt is inhibited</p> <p>1: An LPUART interrupt is generated when TXFIFO reaches the threshold programmed in TXFTCFG</p> |
| Bit 22 | <p>WUFIE: Wakeup from Deepstop mode interrupt enable .</p> <p>This bit is set and cleared by software.</p> <p>0: Interrupt is inhibited</p> <p>1: An LPUART interrupt is generated whenever WUF=1 in the LPUART_ISR register</p> <p>Note: WUFIE must be set before entering in Deepstop mode. The WUF interrupt is active only in Deepstop mode. If the LPUART does not support the wakeup from Deepstop feature, this bit is reserved and forced by hardware to '0'.</p> |
| Bits 21:20 | <p>WUS[1:0]: Wakeup from Deepstop mode interrupt flag selection.</p> <p>This bit-field specify the event which activates the WUF (Wakeup from Deepstop mode flag).</p> <p>00:WUF active on address match (as defined by ADD[7:0] and ADDM7)</p> <p>01:Reserved.</p> <p>10: WUF active on Start bit detection</p> |

| | |
|------------|--|
| | <p>11: WUF active on RXNE.</p> <p>This bit field can only be written when the LPUART is disabled (UE=0).</p> <p>Note: If the LPUART does not support the wakeup from Deepstop feature, this bit is reserved and forced by hardware to '0'.</p> |
| Bits 19:16 | Reserved, must be kept at reset value. |
| Bit 15 | <p>DEP: Driver enable polarity selection.</p> <p>0: DE signal is active high</p> <p>1: DE signal is active low</p> <p>This bit can only be written when the LPUART is disabled (UE=0).</p> |
| Bit 14 | <p>DEM: Driver enable mode.</p> <p>This bit allows the user to activate the external transceiver control through the DE signal.</p> <p>0: DE function is disabled</p> <p>1: DE function is enabled. The DE signal is output on the RTS pin.</p> <p>This bit can only be written when the LPUART is disabled (UE=0).</p> |
| Bit 13 | <p>DDRE: DMA disable on reception error.</p> <p>0: DMA is not disabled in case of reception error. The corresponding error flag is set but RXNE is kept 0 preventing from overrun. As a consequence, the DMA request is not asserted, so the erroneous data is not transferred (no DMA request), but next correct received data is transferred.</p> <p>1: DMA is disabled following a reception error. The corresponding error flag is set, as well as RXNE. The DMA request is masked until the error flag is cleared. This means that the software must first disable the DMA request (DMAR = 0) or clear RXNE before clearing the error flag.</p> <p>This bit can only be written when the LPUART is disabled (UE=0).</p> <p>Note: The reception errors are: parity error, framing error or noise error.</p> |
| Bit 12 | <p>OVRDIS: Overrun disable.</p> <p>This bit is used to disable the receive overrun detection.</p> <p>0: Overrun Error Flag, ORE, is set when received data is not read before receiving new data</p> <p>1: Overrun functionality is disabled. If new data is received while the RXNE flag is still set the ORE flag is not set and the new received data overwrites the previous content of the LPUART_RDR register.</p> <p>This bit can only be written when the LPUART is disabled (UE=0).</p> <p>Note: This control bit allows checking the communication flow w/o reading the data.</p> |
| Bit 11 | Reserved, must be kept at reset value. |
| Bit 10 | <p>CTSIE: CTS interrupt enable.</p> <p>0: Interrupt is inhibited</p> <p>1: An interrupt is generated whenever CTSIF=1 in the LPUART_ISR register</p> |
| Bit 9 | <p>CTSE: CTS enable.</p> <p>0: CTS hardware flow control disabled</p> <p>1: CTS mode enabled, data is only transmitted when the nCTS input is asserted (tied to 0). If the nCTS input is de-asserted while data is being transmitted, then the transmission is completed before stopping. If data is written into the data register while nCTS is asserted, the transmission is postponed until nCTS is asserted.</p> <p>This bit can only be written when the LPUART is disabled (UE=0).</p> |
| Bit 8 | <p>RTSE: RTS enable.</p> <p>0: RTS hardware flow control disabled</p> <p>1: RTS output enabled, data is only requested when there is space in the receive buffer. The transmission of data is expected to cease after the current character has been transmitted. The nRTS output is asserted (pulled to 0) when data can be received.</p> <p>This bit can only be written when the LPUART is disabled (UE=0).</p> |
| Bit 7 | <p>DMAT: DMA enable transmitter. This bit is set/reset by software.</p> <p>1: DMA mode is enabled for transmission</p> |

| | |
|---------|--|
| | 0: DMA mode is disabled for transmission |
| Bit 6 | <p>DMAR: DMA enable receiver. This bit is set/reset by software.</p> <p>1: DMA mode is enabled for reception</p> <p>0: DMA mode is disabled for reception</p> |
| Bit 5:4 | Reserved, must be kept at reset value. |
| Bit 3 | <p>HDSEL: Half-duplex selection.</p> <p>Selection of single-wire half-duplex mode.</p> <p>0: Half-duplex mode is not selected</p> <p>1: Half-duplex mode is selected</p> <p>This bit can only be written when the LPUART is disabled (UE=0).</p> |
| Bit 2:1 | Reserved, must be kept at reset value. |
| Bit 0 | <p>EIE: Error interrupt enable.</p> <p>Error interrupt enable bit is required to enable interrupt generation in case of a framing error, overrun error or noise flag (FE=1 or ORE=1 or NF=1 in the LPUART_ISR register).</p> <p>0: Interrupt is inhibited</p> <p>1: An interrupt is generated when FE=1 or ORE=1 or NF=1 in the LPUART_ISR register</p> |

23.5.4 Baud rate register (LPUART_BRR)

This register can only be written when the LPUART is disabled (UE=0). It may be automatically updated by hardware in auto baud rate detection mode.

Address offset: 0x0C

Reset value: 0x0000

| | | | | | | | | | | | | | | | |
|-----------|------|------|------|------|------|------|------|------|------|------|------|------------|-----|-----|-----|
| 31 | 30 | 29 | 28 | 27 | 26 | 25 | 24 | 23 | 22 | 21 | 20 | 19 | 18 | 17 | 16 |
| Res. | Res. | Res. | Res. | Res. | Res. | Res. | Res. | Res. | Res. | Res. | Res. | BRR[19:16] | | | |
| | | | | | | | | | | | | r/w | r/w | r/w | r/w |
| 15 | 14 | 13 | 12 | 11 | 10 | 9 | 8 | 7 | 6 | 5 | 4 | 3 | 2 | 1 | 0 |
| BRR[15:0] | | | | | | | | | | | | | | | |
| r/w | r/w | r/w | r/w | r/w | r/w | r/w | r/w | r/w | r/w | r/w | r/w | r/w | r/w | r/w | r/w |

| | |
|------------|--|
| Bits 31:20 | Reserved, must be kept at reset value. |
| Bits 19:0 | BRR[19:0] |

Note: It is forbidden to write values less than 0x300 in the LPUART_BRR register. Provided that LPUART_BRR must be >= 0x300 and LPUART_BRR is 20 bits, care should be taken when generating high baud rates using high f_{ck} values. f_{ck} must be in the range [3 x baud rate ..4096 x baud rate].

23.5.5 Request register (LPUART_RQR)

Address offset: 0x18

Reset value: 0x0000

| | | | | | | | | | | | | | | | |
|------|------|------|------|------|------|------|------|------|------|------|-------|-------|------|-------|------|
| 31 | 30 | 29 | 28 | 27 | 26 | 25 | 24 | 23 | 22 | 21 | 20 | 19 | 18 | 17 | 16 |
| Res. | Res. | Res. | Res. | Res. | Res. | Res. | Res. | Res. | Res. | Res. | Res. | Res. | Res. | Res. | Res. |
| | | | | | | | | | | | | | | | |
| 15 | 14 | 13 | 12 | 11 | 10 | 9 | 8 | 7 | 6 | 5 | 4 | 3 | 2 | 1 | |
| Res. | Res. | Res. | Res. | Res. | Res. | Res. | Res. | Res. | Res. | Res. | TXFRQ | RXFRQ | MMRQ | SBKRQ | Res. |
| | | | | | | | | | | | w | w | w | w | |

| | |
|-----------|--|
| Bits 31:5 | Reserved, must be kept at reset value. |
| Bit 4 | <p>TXFRQ: Transmit data flush request.</p> <p>This bit is used when FIFO mode is enabled. TXFRQ bit is set to flush the whole FIFO. This sets the flag TXFE (TXFIFO empty, bit 23 in the LPUART_ISR register).</p> <p>Note: In FIFO mode, the TXFNF flag is reset during the flush request until TxFIFO is empty in order to ensure that no data is written in the data register.</p> |
| Bit 3 | <p>RXFRQ: Receive data flush request.</p> <p>Writing 1 to this bit clears the RXNE flag.</p> <p>This allows the received data to be discarded without reading it, and avoid an overrun condition.</p> |
| Bit 2 | <p>MMRQ: Mute mode request.</p> <p>Writing 1 to this bit puts the LPUART in mute mode and resets the RWU flag.</p> |
| Bit 1 | <p>SBKRQ: Send break request.</p> <p>Writing 1 to this bit sets the SBKF flag and request to send a BREAK on the line, as soon as the transmit machine is available.</p> <p>Note: In the case the application needs to send the break character following all previously inserted data, including the ones not yet transmitted, the software should wait for the TXE flag assertion before setting the SBKRQ bit.</p> |
| Bit 0 | Reserved, must be kept at reset value. |

23.5.6 Interrupt and status register (LPUART_ISR)

Address offset: 0x1C

Reset value: 0x00C0 (in case FIFO disabled)

Reset value: 0x0800C0 (in case FIFO enabled)

| | | | | | | | | | | | | | | | |
|------|------|------|------|------|------|-------|------|------|--------|--------|------|-----|------|-----|------|
| 31 | 30 | 29 | 28 | 27 | 26 | 25 | 24 | 23 | 22 | 21 | 20 | 19 | 18 | 17 | 16 |
| Res. | Res. | Res. | Res. | TXFT | RXFT | Res. | RXFF | TXFE | RE ACK | TE ACK | WUF | RWU | SBKF | CMF | BUSY |
| | | | | r | r | | r | r | r | r | r | r | r | r | r |
| 15 | 14 | 13 | 12 | 11 | 10 | 9 | 8 | 7 | 6 | 5 | 4 | 3 | 2 | 1 | 0 |
| Res. | Res. | Res. | Res. | Res. | CTS | CTSIF | Res. | TXE | TC | RXNE | IDLE | ORE | NF | FE | PE |
| | | | | | r | r | | r | r | r | r | r | r | r | r |

| | |
|------------|--|
| Bits 31:28 | Reserved, must be kept at reset value. |
| Bit 27 | <p>TXFT: TXFIFO threshold flag.</p> <p>This bit is set by hardware when the TXFIFO reaches the programmed threshold in TXFTCFG in LPUARTx_CR3 register, i.e. the TXFIFO contains TXFTCFG empty locations. An interrupt is generated if the TXFTIE bit = 1 (bit 31) in the LPUART_CR3 register.</p> <p>0: TXFIFO does not reach the programmed threshold 1: TXFIFO reached the programmed threshold</p> |
| Bit 26 | <p>RXFT: RXFIFO threshold flag.</p> <p>This bit is set by hardware when the RXFIFO reaches the programmed threshold in RXFTCFG in LPUARTx_CR3 register, i.e. the Receive FIFO contains RXFTCFG data. An interrupt is generated if the RXFTIE bit = 1 (bit 27) in the LPUART_CR3 register.</p> <p>0: Receive FIFO does not reach the programmed threshold 1: Receive FIFO reached the programmed threshold</p> |
| Bit 25 | Reserved, must be kept at reset value. |
| Bit 24 | <p>RXFF: RXFIFO Full.</p> <p>This bit is set by hardware when RXFIFO is Full.</p> <p>An interrupt is generated if the RXFFIE bit = 1 in the LPUART_CR1 register.</p> <p>0: RXFIFO is not full 1: RXFIFO is full</p> |
| Bit 23 | <p>TXFE: TXFIFO empty.</p> <p>This bit is set by hardware when TXFIFO is empty. When the TXFIFO contains at least one data, this flag is cleared. The TXFE flag can also be set by writing 1 to the bit TXFRQ (bit 4) in the LPUART_RQR register.</p> <p>An interrupt is generated if the TXFEIE bit = 1 (bit 30) in the LPUART_CR1 register.</p> <p>0: TXFIFO is not empty 1: TXFIFO is empty</p> |
| Bit 22 | <p>REACK: Receive enable acknowledge flag.</p> <p>This bit is set/reset by hardware when the Receive Enable value is taken into account by the LPUART. It can be used to verify that the LPUART is ready for reception before entering Stop mode.</p> <p>Note: If the LPUART does not support the wakeup from Stop feature, this bit is reserved and forced by hardware to '0'.</p> |
| Bit 21 | <p>TEACK: Transmit enable acknowledge flag.</p> <p>This bit is set/reset by hardware, when the Transmit Enable value is taken into account by the LPUART. It can be used when an idle frame request is generated by writing TE=0, followed by TE=1 in the LPUART_CR1 register, in order to respect the TE=0 minimum period.</p> |

| | |
|-----------|---|
| Bit 20 | <p>WUF: Wakeup from Deepstop mode flag This bit is set by hardware, when a wakeup event is detected. The event is defined by the WUS bit field. It is cleared by software, writing a 1 to the WUCF in the LPUART_ICR register. An interrupt is generated if WUFIE=1 in the LPUART_CR3 register.</p> <p>Note: When UESM is cleared, WUF flag is also cleared. The WUF interrupt is active only in Deepstop mode. If the LPUART does not support the wakeup from Deepstop feature, this bit is reserved and forced by hardware to '0'.</p> |
| Bit 19 | <p>RWU: Receiver wakeup from mute mode.</p> <p>This bit indicates if the LPUART is in mute mode. It is cleared/set by hardware when a wakeup/mute sequence is recognized. The mute mode control sequence (address or IDLE) is selected by the WAKE bit in the LPUART_CR1 register.</p> <p>When wakeup on IDLE mode is selected, this bit can only be set by software, writing 1 to the MMRQ bit in the LPUART_RQR register.</p> <p>0: Receiver in active mode 1: Receiver in mute mode</p> <p>Note: If the LPUART does not support the wakeup from stop feature, this bit is reserved and forced by hardware to '0'.</p> |
| Bit 18 | <p>SBKF: Send break flag.</p> <p>This bit indicates that a send break character was requested. It is set by software, by writing 1 to the SBKRQ bit in the LPUART_CR3 register. It is automatically reset by hardware during the stop bit of break transmission.</p> <p>0: No break character is transmitted 1: Break character is transmitted</p> |
| Bit 17 | <p>CMF: Character match flag.</p> <p>This bit is set by hardware, when a the character defined by ADD[7:0] is received. It is cleared by software, writing 1 to the CMCF in the LPUART_ICR register.</p> <p>An interrupt is generated if CMIE=1 in the LPUART_CR1 register.</p> <p>0: No character match detected 1: Character match detected</p> |
| Bit 16 | <p>BUSY: Busy flag.</p> <p>This bit is set and reset by hardware. It is active when a communication is on-going on the RX line (successful start bit detected). It is reset at the end of the reception (successful or not).</p> <p>0: LPUART is idle (no reception) 1: Reception on-going</p> |
| Bit 15:11 | Reserved, must be kept at reset value. |
| Bit 10 | <p>CTS: CTS flag.</p> <p>This bit is set/reset by hardware. It is an inverted copy of the status of the nCTS input pin.</p> <p>0: nCTS line set 1: nCTS line reset</p> <p>Note: If the hardware flow control feature is not supported, this bit is reserved and forced by hardware to '0'.</p> |
| Bit 9 | <p>CTSIF: CTS interrupt flag.</p> <p>This bit is set by hardware when the nCTS input toggles, if the CTSE bit is set. It is cleared by software, by writing 1 to the CTSCF bit in the LPUART_ICR register.</p> <p>An interrupt is generated if CTSIE=1 in the LPUART_CR3 register.</p> <p>0: No change occurred on the nCTS status line 1: A change occurred on the nCTS status line</p> <p>Note: If the hardware flow control feature is not supported, this bit is reserved and forced by hardware to '0'.</p> |
| Bit 8 | Reserved, must be kept at reset value. |
| Bit 7 | <p>TXE/TXFNF: Transmit data register empty/TXFIFO not full.</p> <p>When FIFO mode is disabled, TXE is set by hardware when the content of the LPUARTx_TDR register has been transferred into the shift register. It is cleared by a write to the LPUARTx_TDR register.</p> |

| | |
|-------|---|
| | <p>When FIFO mode is enabled, TXFNF is set by hardware when TXFIFO is not full, and so data can be written in the LPUART_TDR. Every write in the LPUART_TDR places the data in the TXFIFO. This flag remains set until the TXFIFO is full. When the TXFIFO is full, this flag is cleared indicating that data can not be written into the LPUART_TDR.</p> <p>Note: The TXFNF is kept reset during the flush request until TXFIFO is empty. After sending the flush request (by setting TXFRQ bit), the flag TXFNF should be checked prior to writing in TXFIFO. (TXFNF and TXFE is set at the same time).</p> <p>An interrupt is generated if the TXEIE/TXFNFIE bit = 1 in the LPUART_CR1 register.</p> <p>0: Data register is full/Transmit FIFO is full 1: Data register/Transmit FIFO is not full</p> <p>Note: This bit is used during single buffer transmission.</p> |
| Bit 6 | <p>TC: Transmission complete.</p> <p>This bit is set by hardware if the transmission of a frame containing data is complete and if TXE/TXFF is set. An interrupt is generated if TCIE=1 in the LPUART_CR1 register. It is cleared by software, writing 1 to the TCCF in the LPUART_ICR register or by a write to the LPUART_TDR register.</p> <p>An interrupt is generated if TCIE=1 in the LPUART_CR1 register.</p> <p>0: Transmission is not complete 1: Transmission is complete</p> <p>Note: If TE bit is reset and no transmission is on-going, the TC bit is set immediately.</p> |
| Bit 5 | <p>RXNE/RXFNE: Read data register not empty/RXFIFO not empty.</p> <p>RXNE bit is set by hardware when the content of the LPUARTx_RDR shift register has been transferred to the LPUARTx_RDR register. It is cleared by a read to the LPUARTx_RDR register. The RXNE flag can also be cleared by writing 1 to the RXFRQ in the LPUARTx_RQR register. RXFNE bit is set by hardware when the RXFIFO is not empty, and so data can be read from the LPUART_RDR register. Every read of the LPUART_RDR frees a location in the RXFIFO. It is cleared when the RXFIFO is empty.</p> <p>The RXNE/RXFNE flag can also be cleared by writing 1 to the RXFRQ in the LPUART_RQR register.</p> <p>An interrupt is generated if RXNEIE/RXFNEIE=1 in the LPUART_CR1 register.</p> <p>0: Data is not received 1: Received data is ready to be read</p> |
| Bit 4 | <p>IDLE: Idle line detected.</p> <p>This bit is set by hardware when an idle line is detected. An interrupt is generated if IDLEIE=1 in the LPUART_CR1 register. It is cleared by software, writing 1 to the IDLECF in the LPUART_ICR register.</p> <p>0: No Idle line is detected 1: Idle line is detected</p> <p>Note: The IDLE bit is not set again until the RXNE bit has been set (i.e. a new idle line occurs).</p> <p>If mute mode is enabled (MME=1), IDLE is set if the LPUART is not mute (RWU=0), whatever the mute mode selected by the WAKE bit. If RWU=1, IDLE is not set.</p> |
| Bit 3 | <p>ORE: Overrun error.</p> <p>This bit is set by hardware when the data currently being received in the shift register is ready to be transferred into the LPUARTx_RDR register while RXNE=1 (RXFF=1 in case FIFO mode is enabled). It is cleared by a software, writing 1 to the ORECF, in the LPUARTx_ICR register.</p> <p>An interrupt is generated if RXNEIE/ RXFNEIE=1 or EIE=1 in the LPUARTx_CR1 register.</p> <p>0: No overrun error 1: Overrun error is detected</p> <p>Note: When this bit is set, the LPUART_RDR register content is not lost but the shift register is overwritten. An interrupt is generated if the ORE flag is set during multi-buffer communication if the EIE bit is set.</p> <p>This bit is permanently forced to 0 (no overrun detection) when the bit OVRDIS is set in the LPUART_CR3 register.</p> |
| Bit 2 | <p>NF: START bit noise detection flag.</p> <p>This bit is set by hardware when noise is detected on the START bit of a received frame. It is cleared by software, writing 1 to the NFCF bit in the LPUART_ICR register.</p> <p>0: No noise is detected 1: Noise is detected</p> |

| | |
|-------|---|
| | <p>Note: This bit does not generate an interrupt as it appears at the same time as the RXNE/RXFNE bit which itself generates an interrupt. An interrupt is generated when the NF flag is set during multi buffer communication if the EIE bit is set.</p> <p>Note: In FIFO mode, this error is associated with the character in the LPUART_RDR.</p> |
| Bit 1 | <p>FE: Framing error.</p> <p>This bit is set by hardware when a de-synchronization, excessive noise or a break character is detected. It is cleared by software, writing 1 to the FECF bit in the LPUART_ICR register. In Smartcard mode, in transmission, this bit is set when the maximum number of transmit attempts is reached without success (the card NACKs the data frame).</p> <p>An interrupt is generated if EIE=1 in the LPUART_CR1 register.</p> <p>0: No framing error is detected 1: Framing error or break character is detected</p> <p>Note: In FIFO mode, this error is associated with the character in the LPUART_RDR.</p> |
| Bit 0 | <p>PE: Parity error.</p> <p>This bit is set by hardware when a parity error occurs in receiver mode. It is cleared by software, writing 1 to the PECF in the LPUART_ICR register.</p> <p>An interrupt is generated if PEIE=1 in the LPUART_CR1 register.</p> <p>0: No parity error 1: Parity error</p> <p>Note: In FIFO mode, this error is associated with the character in the LPUART_RDR.</p> |

23.5.7 Interrupt flag clear register (LPUART_ICR)

Address offset: 0x20

Reset value: 0x0000

| | | | | | | | | | | | | | | | |
|------|------|------|------|------|------|-------|------|------|------|------|--------|-------|------|------|------|
| 31 | 30 | 29 | 28 | 27 | 26 | 25 | 24 | 23 | 22 | 21 | 20 | 19 | 18 | 17 | 16 |
| Res. | Res. | Res. | Res. | Res. | Res. | Res. | Res. | Res. | Res. | Res. | WUCF | Res. | Res. | CMCF | Res. |
| | | | | | | | | | | | w_r0 | | | w_r0 | |
| 15 | 14 | 13 | 12 | 11 | 10 | 9 | 8 | 7 | 6 | 5 | 4 | 3 | 2 | 1 | 0 |
| Res. | Res. | Res. | Res. | Res. | Res. | CTSCF | Res. | Res. | TCCF | Res. | IDLECF | ORECF | NECF | FECF | PECF |
| | | | | | | w_r0 | | | w_r0 | | w_r0 | w_r0 | w_r0 | w_r0 | w_r0 |

| | |
|------------|---|
| Bits 31:21 | Reserved, must be kept at reset value. |
| Bit 20 | WUCF : Wakeup from Stop mode clear flag. Writing 1 to this bit clears the WUF flag in the LPUART_ISR register. Note: If the LPUART does not support the wakeup from stop feature, this bit is reserved and forced by hardware to '0'. |
| Bit 19:18 | Reserved, must be kept at reset value. |
| Bit 17 | CMCF : Character match clear flag. Writing 1 to this bit clears the CMF flag in the LPUART_ISR register. |
| Bit 16:10 | Reserved, must be kept at reset value. |
| Bit 9 | CTSCF : CTS clear flag. Writing 1 to this bit clears the CTSIF flag in the LPUART_ISR register. |
| Bit 8:7 | Reserved, must be kept at reset value. |
| Bit 6 | TCCF : Transmission complete clear flag. Writing 1 to this bit clears the TC flag in the LPUART_ISR register. |
| Bit 5 | Reserved, must be kept at reset value. |
| Bit 4 | IDLECF : Idle line detected clear flag. Writing 1 to this bit clears the IDLE flag in the LPUART_ISR register. |
| Bit 3 | ORECF : Overrun error clear flag. Writing 1 to this bit clears the ORE flag in the LPUART_ISR register. |
| Bit 2 | NECF : Noise detected clear flag. Writing 1 to this bit clears the NF flag in the LPUART_ISR register. |
| Bit 1 | FECF : Framing error clear flag. Writing 1 to this bit clears the FE flag in the LPUART_ISR register. |
| Bit 0 | PECF : Parity error clear flag. Writing 1 to this bit clears the PE flag in the LPUART_ISR register. |

23.5.8 Receive data register (LPUART_RDR)

Address offset: 0x24

Reset value: undefined

| | | | | | | | | | | | | | | | | | |
|------|------|------|------|------|------|------|----------|------|------|------|------|------|------|------|------|--|--|
| 31 | 30 | 29 | 28 | 27 | 26 | 25 | 24 | 23 | 22 | 21 | 20 | 19 | 18 | 17 | 16 | | |
| Res. | Res. | Res. | Res. | Res. | Res. | Res. | Res. | Res. | Res. | Res. | Res. | Res. | Res. | Res. | Res. | | |
| 15 | 14 | 13 | 12 | 11 | 10 | 9 | 8 | 7 | 6 | 5 | 4 | 3 | 2 | 1 | 0 | | |
| Res. | Res. | Res. | Res. | Res. | Res. | Res. | RDR[8:0] | | | | | | | | | | |
| | | | | | | | r | r | r | r | r | r | r | r | r | | |

| | |
|-----------|--|
| Bits 31:9 | Reserved, must be kept at reset value. |
| Bits 8:0 | RDR[8:0] : Receive data value contains the received data character. The RDR register provides the parallel interface between the input shift register and the internal bus (see Figure 149. LPUART block diagram). When receiving with the parity enabled, the value read in the MSB bit is the received parity bit. |

23.5.9 Transmit data register (LPUART_TDR)

Address offset: 0x28

Reset value: undefined

| | | | | | | | | | | | | | | | | | |
|------|------|------|------|------|------|------|----------|------|------|------|------|------|------|------|------|--|--|
| 31 | 30 | 29 | 28 | 27 | 26 | 25 | 24 | 23 | 22 | 21 | 20 | 19 | 18 | 17 | 16 | | |
| Res. | Res. | Res. | Res. | Res. | Res. | Res. | Res. | Res. | Res. | Res. | Res. | Res. | Res. | Res. | Res. | | |
| | | | | | | | | | | | | | | | | | |
| 15 | 14 | 13 | 12 | 11 | 10 | 9 | 8 | 7 | 6 | 5 | 4 | 3 | 2 | 1 | 0 | | |
| Res. | Res. | Res. | Res. | Res. | Res. | Res. | TDR[8:0] | | | | | | | | | | |
| | | | | | | | rw | rw | rw | rw | rw | rw | rw | rw | rw | | |

| | |
|-----------|---|
| Bits 31:9 | Reserved, must be kept at reset value. |
| Bits 8:0 | <p>TDR[8:0]: Transmit data value contains the data character to be transmitted.</p> <p>The TDR register provides the parallel interface between the internal bus and the output shift register (see Figure 149. LPUART block diagram).</p> <p>When transmitting with the parity enabled (PCE bit set to 1 in the LPUART_CR1 register), the value written in the MSB (bit 7 or bit 8 depending on the data length) has no effect because it is replaced by the parity.</p> <p><i>Note: This register must be written only when TXE/TXFNF=1.</i></p> |

23.5.10 Prescaler register (LPUART_PRESC)

This register can only be written when the USART is disabled (UE=0).

Address offset: 0x2C

Reset value: 0x0000

| | | | | | | | | | | | | | | | |
|------|------|------|------|------|------|------|------|------|------|------|------|----------------|------|------|------|
| 31 | 30 | 29 | 28 | 27 | 26 | 25 | 24 | 23 | 22 | 21 | 20 | 19 | 18 | 17 | 16 |
| Res. | Res. | Res. | Res. | Res. | Res. | Res. | Res. | Res. | Res. | Res. | Res. | Res. | Res. | Res. | Res. |
| 15 | 14 | 13 | 12 | 11 | 10 | 9 | 8 | 7 | 6 | 5 | 4 | 3 | 2 | 1 | 0 |
| Res. | Res. | Res. | Res. | Res. | Res. | Res. | Res. | Res. | Res. | Res. | Res. | PRESCALER[3:0] | | | |
| | | | | | | | | | | | | rw | rw | rw | rw |

| | |
|--------------|--|
| Bits 31:4 | Reserved, must be kept at reset value. |
| Bits 3:0 | <p>PRESCALER[3:0]: Clock prescaler.</p> <p>The USART input clock can be divided by a prescaler:</p> <p>0000: Input clock not divided</p> <p>0001: Input clock divided by 2</p> <p>0010: Input clock divided by 4</p> <p>0011: Input clock divided by 6</p> <p>0100: Input clock divided by 8</p> <p>0101: Input clock divided by 10</p> <p>0110: Input clock divided by 12</p> <p>0111: Input clock divided by 16</p> <p>1000: Input clock divided by 32</p> <p>1001: Input clock divided by 64</p> <p>1010: Input clock divided by 128</p> <p>1011: Input clock divided by 256.</p> <p>Remaining combinations: Reserved.</p> <p><i>Note: When PRESCALER is programmed with a value different of the allowed ones, programmed prescaler value is «1011», i.e. input clock divided by 256.</i></p> |

23.5.11 LPUART register map

The table below gives the LPUART register map and reset values.

Table 108. LPUART register map and reset values

| Offset | Register | 31 | 30 | 29 | 28 | 27 | 26 | 25 | 24 | 23 | 22 | 21 | 20 | 19 | 18 | 17 | 16 | 15 | 14 | 13 | 12 | 11 | 10 | 9 | 8 | 7 | 6 | 5 | 4 | 3 | 2 | 1 | 0 |
|---------------|-------------|---------------|--------|--------|---------|---------------|------|-----------|------|---------|-------|-----------|-----------|----------|---------|-------|-------|------|------|------------|--------|------|-------|-------|------|--------|--------|------|------|-------|------|------|------|
| 0x00 | LPUART_CR1 | RXFFIE | TXFEIE | FIFOEN | M1 | Res. | Res. | DEAT[4:0] | | | | DEDT[4:0] | | | | Res. | CMIE | MME | M0 | WAKE | PCE | PS | PEIE | TXEIE | TCIE | RXNEIE | IDLEIE | TE | RE | UESM | UE | | |
| | Reset value | 0 | 0 | 0 | 0 | | | 0 | 0 | 0 | 0 | 0 | 0 | 0 | 0 | 0 | 0 | 0 | 0 | 0 | 0 | 0 | 0 | 0 | 0 | 0 | 0 | 0 | 0 | 0 | 0 | 0 | 0 |
| 0x04 | LPUART_CR2 | ADD[7:4] | | | | ADD[3:0] | | | | Res. | Res. | Res. | Res. | MSBFIRST | DATAINV | TXINV | RXINV | SWAP | Res. | STOP [1:0] | | | Res. | Res. | Res. | Res. | Res. | Res. | Res. | Res. | Res. | Res. | Res. |
| | Reset value | 0 | 0 | 0 | 0 | 0 | 0 | 0 | 0 | | | | | 0 | 0 | 0 | 0 | 0 | 0 | | 0 | 0 | | | | | | 0 | | | | | |
| 0x08 | LPUART_CR3 | TXFTCF G[2:0] | | | RXFTEIE | RXFTCF G[2:0] | | | Res. | TXFTEIE | WUFIE | WUS [1:0] | | Res. | Res. | Res. | Res. | DEP | DEM | DDRE | OVRDIS | Res. | CTSIE | CTSE | RTSE | DMAT | DMAR | Res. | Res. | HDSEL | Res. | Res. | EIE |
| | Reset value | 0 | 0 | 0 | 0 | 0 | 0 | 0 | | 0 | 0 | 0 | 0 | | | | | 0 | 0 | 0 | 0 | | 0 | 0 | 0 | 0 | 0 | | | 0 | | | 0 |
| 0x0C | LPUART_BRR | Res. | Res. | Res. | Res. | Res. | Res. | Res. | Res. | Res. | Res. | Res. | BRR[19:0] | | | | | | | | | | | | | | | | | | | | |
| | Reset value | | | | | | | | | | | | | | | | | 0 | 0 | 0 | 0 | 0 | 0 | 0 | 0 | 0 | 0 | 0 | 0 | 0 | 0 | 0 | |
| 0x10- 0x14 | Reserved | | | | | | | | | | | | | | | | | | | | | | | | | | | | | | | | |



| Offset | Register | 31 | 30 | 29 | 28 | 27 | 26 | 25 | 24 | 23 | 22 | 21 | 20 | 19 | 18 | 17 | 16 | 15 | 14 | 13 | 12 | 11 | 10 | 9 | 8 | 7 | 6 | 5 | 4 | 3 | 2 | 1 | 0 | |
|--------|-------------|------|------|------|------|------|------|------|------|------|-------|-------|------|------|------|------|------|------|------|------|------|------|------|------|--------|----------|------|------|-------|--------|-------|-------|------|------|
| 0x18 | LPUART_RQR | Res. | Res. | Res. | Res. | Res. | Res. | Res. | Res. | Res. | Res. | Res. | Res. | Res. | Res. | Res. | Res. | Res. | Res. | Res. | Res. | Res. | Res. | Res. | Res. | Res. | Res. | Res. | TXFRQ | RXFRQ | MMRQ | SBKRQ | Res. | |
| | Reset value | | | | | | | | | | | | | | | | | | | | | | | | | | | | 0 | 0 | 0 | 0 | | |
| 0x1C | LPUART_ISR | Res. | Res. | Res. | Res. | Res. | Res. | Res. | Res. | Res. | REACK | TEACK | WUF | RWU | SBKF | CMF | BUSY | Res. | Res. | Res. | Res. | Res. | Res. | CTS | CTSIF. | Res. | TXE | TC | RXNE | IDLE | ORE | NF | FE | PE |
| | Reset value | | | | | | | | | | 0 | 0 | 0 | 0 | 0 | 0 | 0 | | | | | | | 0 | 0 | | 1 | 0 | 0 | 0 | 0 | 0 | 0 | 0 |
| 0x20 | LPUART_ICR | Res. | Res. | Res. | Res. | Res. | Res. | Res. | Res. | Res. | Res. | Res. | WUCF | Res. | Res. | CMCF | Res. | Res. | Res. | Res. | Res. | Res. | Res. | Res. | Res. | Res. | Res. | TCCF | Res. | IDLECF | ORECF | NECF | FECF | PECF |
| | Reset value | | | | | | | | | | | | 0 | | | 0 | | | | | | | | | | | 0 | 0 | 0 | 0 | 0 | 0 | 0 | 0 |
| 0x24 | LPUART_RDR | Res. | Res. | Res. | Res. | Res. | Res. | Res. | Res. | Res. | Res. | Res. | Res. | Res. | Res. | Res. | Res. | Res. | Res. | Res. | Res. | Res. | Res. | Res. | Res. | RDR[8:0] | | | | | | | | |
| | Reset value | | | | | | | | | | | | | | | | | | | | | | | | | 0 | 0 | 0 | 0 | 0 | 0 | 0 | 0 | 0 |
| 0x28 | LPUART_TDR | Res. | Res. | Res. | Res. | Res. | Res. | Res. | Res. | Res. | Res. | Res. | Res. | Res. | Res. | Res. | Res. | Res. | Res. | Res. | Res. | Res. | Res. | Res. | Res. | TDR[8:0] | | | | | | | | |
| | Reset value | | | | | | | | | | | | | | | | | | | | | | | | | 0 | 0 | 0 | 0 | 0 | 0 | 0 | 0 | 0 |



| Offset | Register | 31 | 30 | 29 | 28 | 27 | 26 | 25 | 24 | 23 | 22 | 21 | 20 | 19 | 18 | 17 | 16 | 15 | 14 | 13 | 12 | 11 | 10 | 9 | 8 | 7 | 6 | 5 | 4 | 3 | 2 | 1 | 0 |
|--------|--------------|------|------|------|------|------|------|------|------|------|------|------|------|------|------|------|------|------|------|------|------|------|------|------|------|------|------|------|------|------|------|------|------|
| 0x2C | LPUART_PRESC | Res. | Res. | Res. | Res. | Res. | Res. | Res. | Res. | Res. | Res. | Res. | Res. | Res. | Res. | Res. | Res. | Res. | Res. | Res. | Res. | Res. | Res. | Res. | Res. | Res. | Res. | Res. | Res. | Res. | Res. | Res. | Res. |
| | Reset value | | | | | | | | | | | | | | | | | | | | | | | | | | | | | 0 | 0 | 0 | 0 |

Refer to Section 2.2.2: Memory map and register boundary addresses.

24 Serial peripheral interface / inter-IC sound (SPI/I2S)

24.1 Introduction

The SPI/I²S interface can be used to communicate with external devices using the SPI protocol or the I²S audio protocol. SPI or I²S mode is selectable by software. SPI Motorola mode is selected by default after a device reset. The serial peripheral interface (SPI) protocol supports half-duplex, full-duplex and simplex synchronous, serial communication with external devices. The interface can be configured as master and in this case it provides the communication clock (SCK) to the external slave device. The interface is also capable of operating in multimaster configuration.

The inter-IC sound (I²S) protocol is also a synchronous serial communication interface. It can operate in slave or master mode with half-duplex communication. It can address four different audio standards including the Philips I²S standard, the MSB- and LSB-justified standards and the PCM standard.

24.2 SPI main features

- Master or slave operation
- Full-duplex synchronous transfers on three lines
- Half-duplex synchronous transfer on two lines (with bidirectional dataline)
- Simplex synchronous transfers on two lines (with unidirectional dataline)
- 4-bit to 16-bit data size selection
- Multimaster mode capability
- 8 master mode baud rate prescalers up to $f_{PCLK}/2$
- Slave mode frequency up to $f_{PCLK}/2$
- NSS management by hardware or software for both master and slave: dynamic change of master/slave operations
- Programmable clock polarity and phase
- Programmable data order with MSB-first or LSB-first shifting
- Dedicated transmission and reception flags with interrupt capability
- SPI bus busy status flag
- SPI Motorola support
- Hardware CRC feature for reliable communication:
 - CRC value can be transmitted as last byte in Tx mode
 - Automatic CRC error checking for last received byte
- Master mode fault, overrun flags with interrupt capability
- CRC error flag
- Two 32-bit embedded Rx and Tx FIFOs with DMA capability
- SPI TI mode support.

24.3 I2S main features

- Half-duplex communication (only transmitter or receiver)
- Master or slave operations
- 8-bit programmable linear prescaler to reach accurate audio sample frequencies (from 8 kHz to 96 kHz)
- Data format may be 16-bit, 24-bit or 32-bit
- Packet frame is fixed to 16-bit (16-bit data frame) or 32-bit (16-bit, 24-bit, 32-bit data frame) by audio channel
- Programmable clock polarity (steady-state)
- Underrun flag in slave transmission mode, overrun flag in reception mode (master and slave) and frame error flag in reception and transmitter mode (slave only)
- 16-bit register for transmission and reception with one data register for both channel sides

- Supported I²S protocols:
 - I²S Philips standard
 - MSB-justified standard (Left-Justified)
 - LSB-justified standard (Right-Justified)
 - PCM standard (with short and long frame synchronization on 16-bit channel frame or 16-bit data frame extended to 32-bit channel frame)
- Data direction is always MSB first
- DMA capability for transmission and reception (16-bit wide)
- Master clock can be output to drive an external audio component. Ratio is fixed at $256 \times F_S$ (where F_S is the audio sampling frequency).

24.4 SPI/I2S implementation

This manual describes the full set of features implemented in SPI3.

Table 109. STM32WB05xZ SPI implementation describes the SPI/I²S implementation in the STM32WB05xZ.

Table 109. STM32WB05xZ SPI implementation

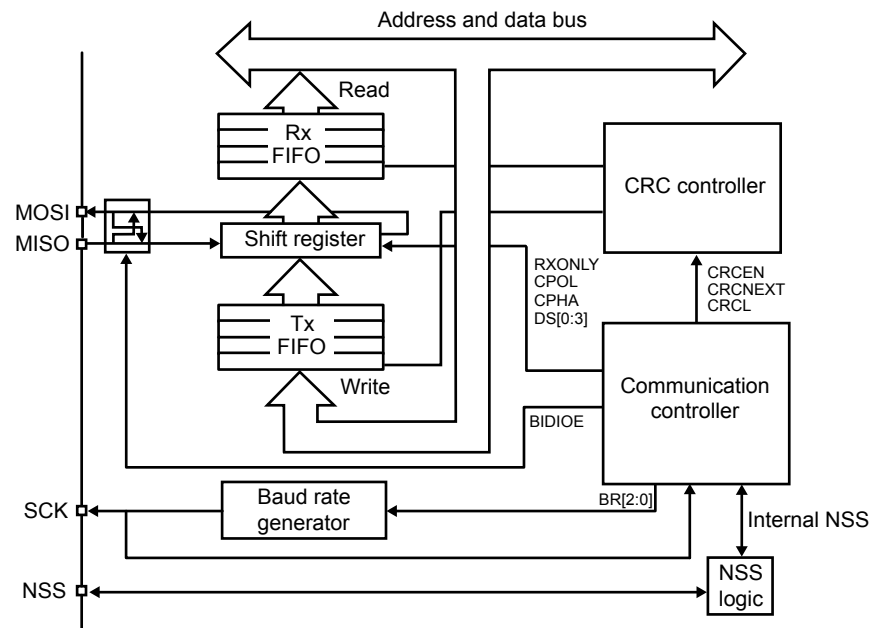
| SPI features | SPI3 |
|--------------------------|------|
| Hardware CRC calculation | X |
| Rx/Tx FIFO | X |
| NSS pulse mode | X |
| I ² S mode | X |
| TI mode | X |

Note: X = supported.

24.5 SPI functional description

24.5.1 General description

The SPI allows synchronous, serial communication between the MCU and external devices. The application software can manage the communication by polling the status flag or using dedicated SPI interrupt. The main elements of SPI and their interactions are shown in the following block diagram.

Figure 161. SPI block diagram


Four I/O pins are dedicated to SPI communication with external devices.

- **MISO:** Master In / Slave Out data. In the general case, this pin is used to transmit data in slave mode and receive data in master mode.
- **MOSI:** Master Out / Slave In data. In the general case, this pin is used to transmit data in master mode and receive data in slave mode.
- **SCK:** Serial Clock output pin for SPI masters and input pin for SPI slaves.

Note: If the SPI is in master mode and the internal pull-up/-down of the pad is used, the software must take care to activate the pull polarity (up or down) of the I/O to be coherent with the CPOL programming (pull-down if CPOL=0 and pull-up if CPOL=1).

- **NSS:** Slave select pin. Depending on the SPI and NSS settings, this pin can be used to either:
 - select an individual slave device for communication
 - synchronize the data frame or
 - detect a conflict between multiple masters

See [Section 24.5.4: Slave select \(NSS\) pin management](#) for details.

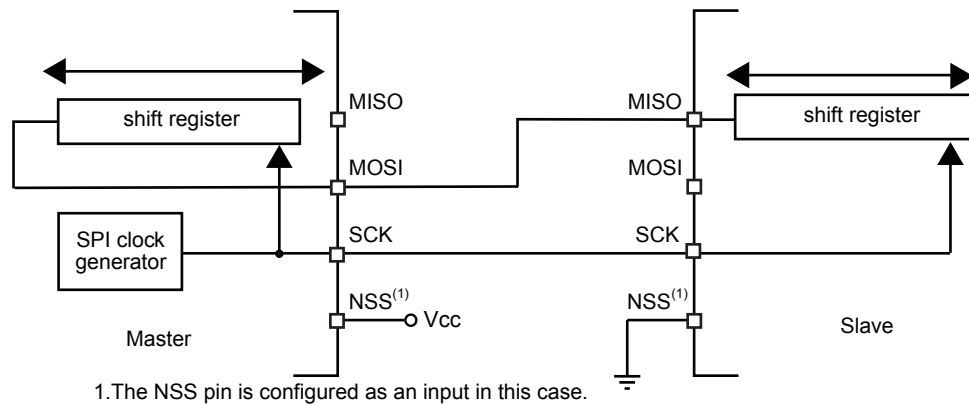
The SPI bus allows the communication between one master device and one or more slave devices. The bus consists of at least two wires - one for the clock signal and the other for synchronous data transfer. Other signals can be added depending on the data exchange between SPI nodes and their slave select signal management.

24.5.2 Communications between one master and one slave

The SPI allows the MCU to communicate using different configurations, depending on the device targeted and the application requirements. These configurations use 2 or 3 wires (with software NSS management) or 3 or 4 wires (with hardware NSS management). Communication is always initiated by the master.

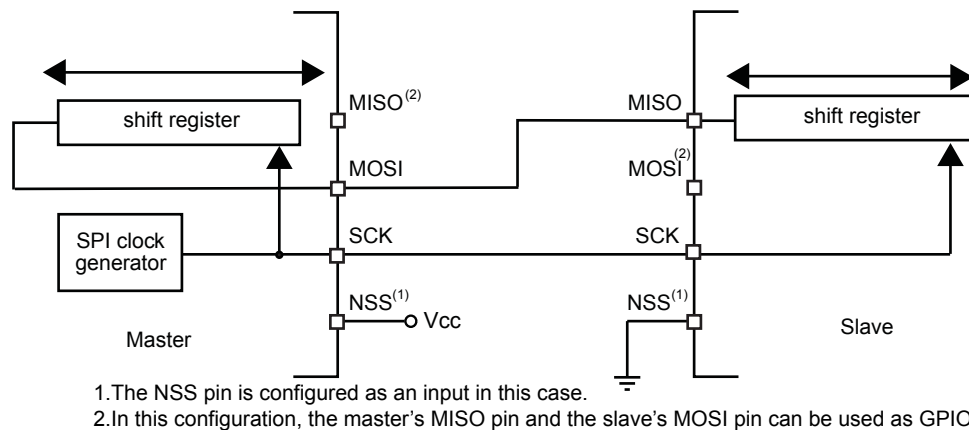
Full-duplex communication

By default, the SPI is configured for full-duplex communication. In this configuration, the shift registers of the master and slave are linked using two unidirectional lines between the MOSI and the MISO pins. During SPI communication, data is shifted synchronously on the SCK clock edges provided by the master. The master transmits the data to be sent to the slave via the MOSI line and receives data from the slave via the MISO line. When the data frame transfer is complete (all the bits are shifted) the information between the master and slave is exchanged.

Figure 162. Full-duplex single master/single slave application


Half-duplex communication

The SPI can communicate in half-duplex mode by setting the BIDIMODE bit in the SPIx_CR1 register. In this configuration, one single cross connection line is used to link the shift registers of the master and slave together. During this communication, the data is synchronously shifted between the shift registers on the SCK clock edge in the transfer direction selected reciprocally by both master and slave with the BDI0E bit in their SPIx_CR1 registers. In this configuration, the master's MISO pin and the slave's MOSI pin are free for other application uses and act as GPIOs.

Figure 163. Half-duplex single master/single slave application


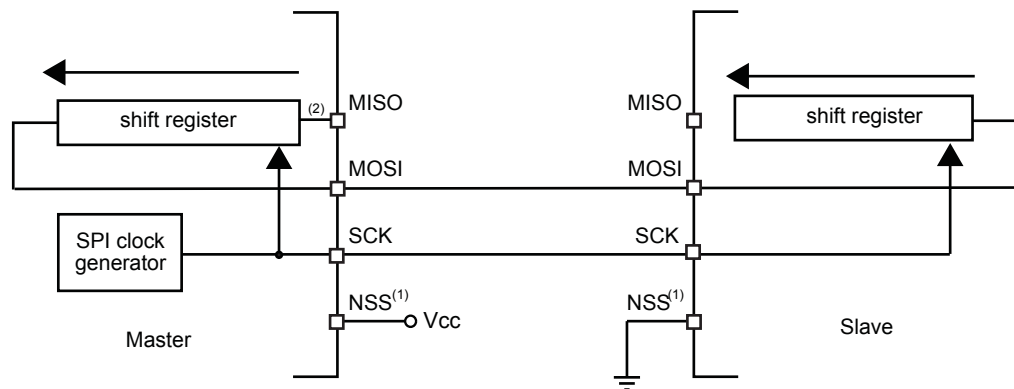
Simplex communications

The SPI can communicate in simplex mode by setting the SPI in transmit-only or in receive-only using the RXONLY bit in the SPIx_CR2 register. In this configuration, only one line is used for the transfer between the shift registers of the master and slave. The remaining MISO and MOSI pins pair is not used for communication and can be used as standard GPIOs.

- **Transmit-only mode (RXONLY=0):** The configuration settings are the same as for full-duplex. The application has to ignore the information captured on the unused input pin. This pin can be used as a standard GPIO.

- Receive-only mode (RXONLY=1):** The application can disable the SPI output function by setting the RXONLY bit. In slave configuration, the MISO output is disabled and the pin can be used as a GPIO. The slave continues to receive data from the MOSI pin while its slave select signal is active (see [Section 24.5.4: Slave select \(NSS\) pin management](#)). Received data events appear depending on the data buffer configuration. In the master configuration, the MOSI output is disabled and the pin can be used as a GPIO. The clock signal is generated continuously as long as the SPI is enabled. The only way to stop the clock is to clear the RXONLY bit or the SPE bit and wait until the incoming pattern from the MISO pin is finished and fills the data buffer structure, depending on its configuration.

Figure 164. Simplex single master/single slave application (master in transmit-only/slave in receive-only mode)



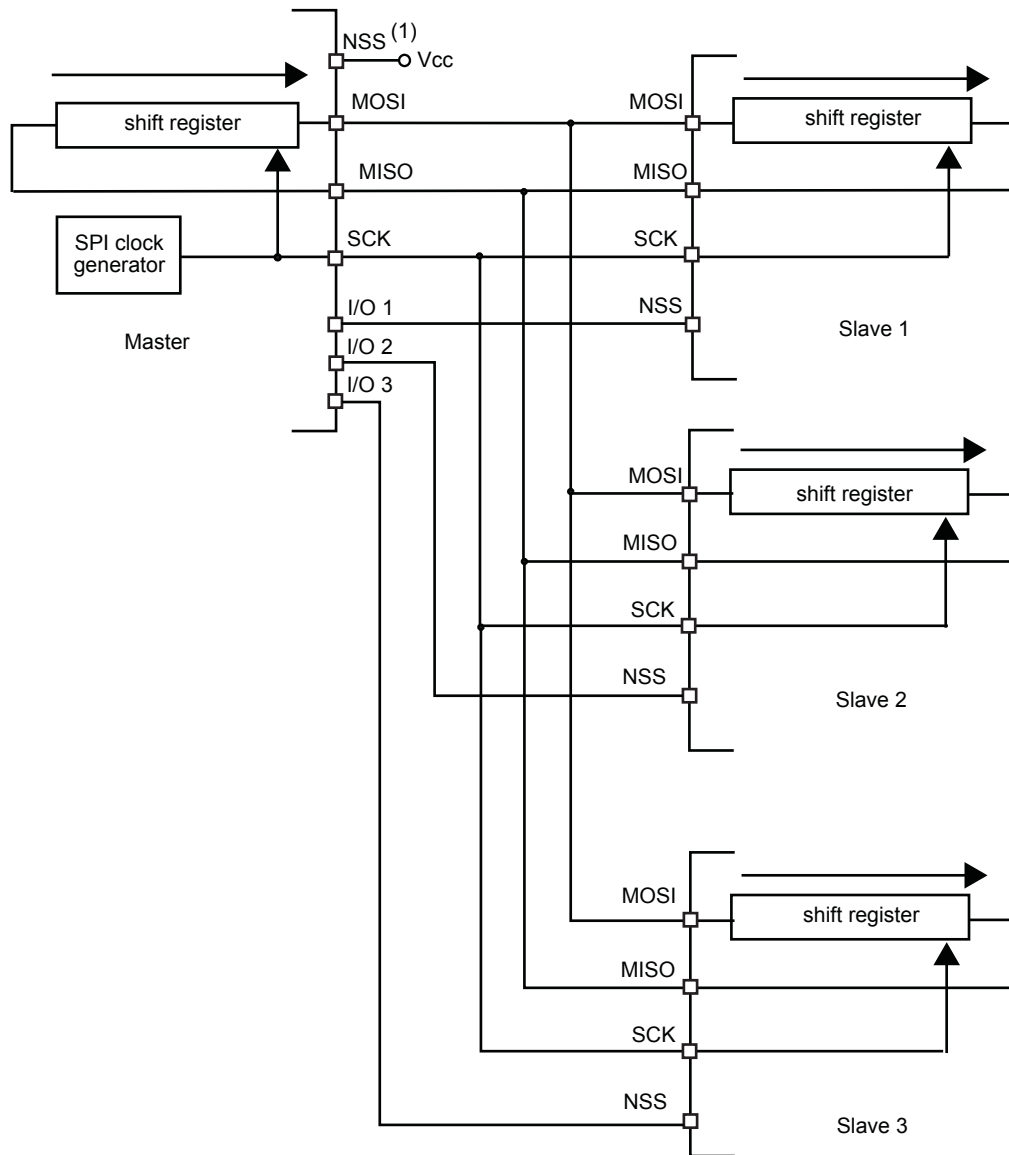
- The NSS pin is configured as an input in this case.
- The input information is captured in the shift register and must be ignored in standard transmit only mode (for example, OVF flag)
- In this configuration, both the MISO pins can be used as GPIOs.

Note: Any simplex communication can be alternatively replaced by a variant of the half-duplex communication with a constant setting of the transaction direction (bidirectional mode is enabled while BDIO bit is not changed).

24.5.3 Standard multi-slave communication

In a configuration with two or more independent slaves, the master uses GPIO pins to manage the chip select lines for each slave (see [Figure 165. Master and three independent slaves](#)). The master must select one of the slaves individually by pulling low the GPIO connected to the slave NSS input. When this is done, a standard master and dedicated slave communication is established.

Figure 165. Master and three independent slaves



1. As MISO pins of the slaves are connected together, all slaves must have the GPIO configuration of their MISO pin set as alternate function open-drain (see Table 7. GPIO alternate options AF0, AF1 and AF2 modes and Table 8. GPIOs AF3, AF4 and AF6 modes).

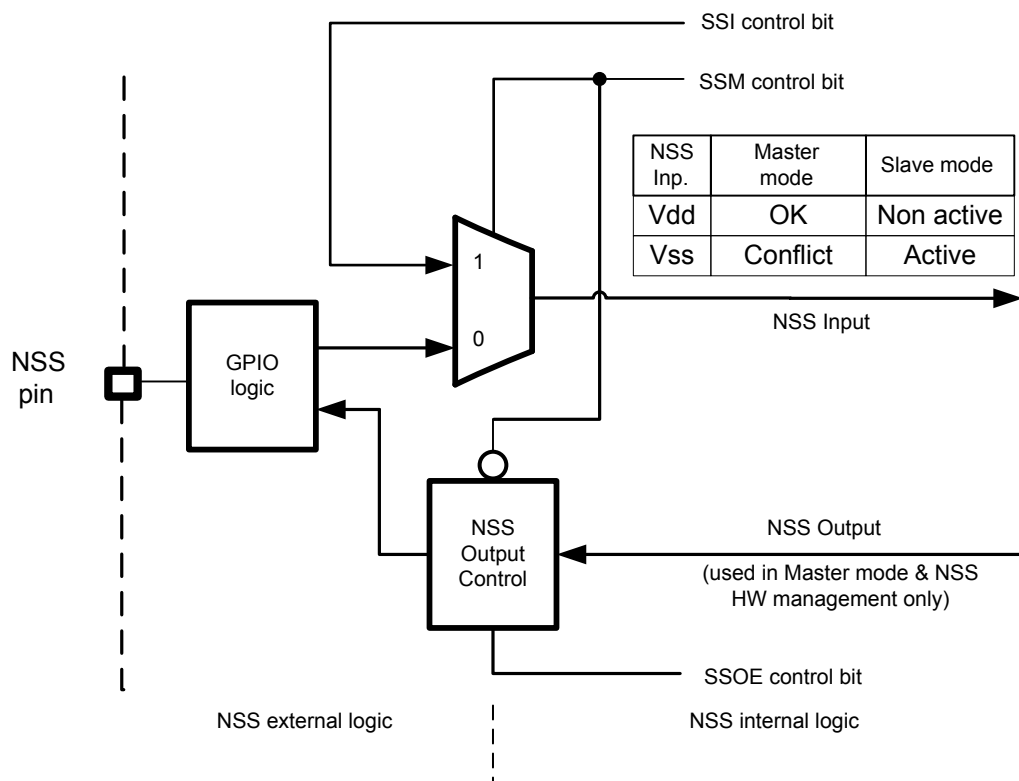
24.5.4 Slave select (NSS) pin management

In slave mode, the NSS works as a standard “chip select” input and lets the slave communicate with the master. In master mode, NSS can be used either as output or input. As an input it can prevent multimaster bus collision, and as an output it can drive a slave select signal of a single slave.

Hardware or software slave select management can be set using the SSM bit in the SPIx_CR1 register:

- **SoftwareNSS management (SSM = 1):** in this configuration, slave select information is driven internally by the SSI bit value in register SPIx_CR1. The external NSS pin is free for other application uses.

- **Hardware NSS management (SSM = 0):** in this case, there are two possible configurations. The configuration used depends on the NSS output configuration (SSOE bit in register SPIx_CR1).
 - **NSS output enable (SSM = 0, SSOE = 1):** this configuration is only used when the MCU is set as master. The NSS pin is managed by the hardware. The NSS signal is driven low as soon as the SPI is enabled in master mode (SPE=1), and is kept low until the SPI is disabled (SPE=0). A pulse can be generated between continuous communications if NSS pulse mode is activated (NSSP=1). The SPI cannot work in multimaster configuration with this NSS setting.
 - **NSS output disable (SSM = 0, SSOE = 0):** if the microcontroller is acting as the master on the bus, this configuration allows multimaster capability. If the NSS pin is pulled low in this mode, the SPI enters master mode fault state and the device is automatically reconfigured in slave mode. In slave mode, the NSS pin works as a standard “chip select” input and the slave is selected while NSS line is at low level.

Figure 166. Hardware/software slave select management


24.5.5 Communication formats

During SPI communication, receive and transmit operations are performed simultaneously. The serial clock (SCK) synchronizes the shifting and sampling of the information on the data lines. The communication format depends on the clock phase, the clock polarity and the data frame format. To be able to communicate together, the master and slaves devices must follow the same communication format.

Clock phase and polarity controls

Four possible timing relationships may be chosen by software, using the CPOL and CPHA bits in the SPIx_CR1 register. The CPOL (clock polarity) bit controls the idle state value of the clock when no data is being transferred. This bit affects both master and slave modes. If CPOL is reset, the SCK pin has a low-level idle state. If CPOL is set, the SCK pin has a high-level idle state.

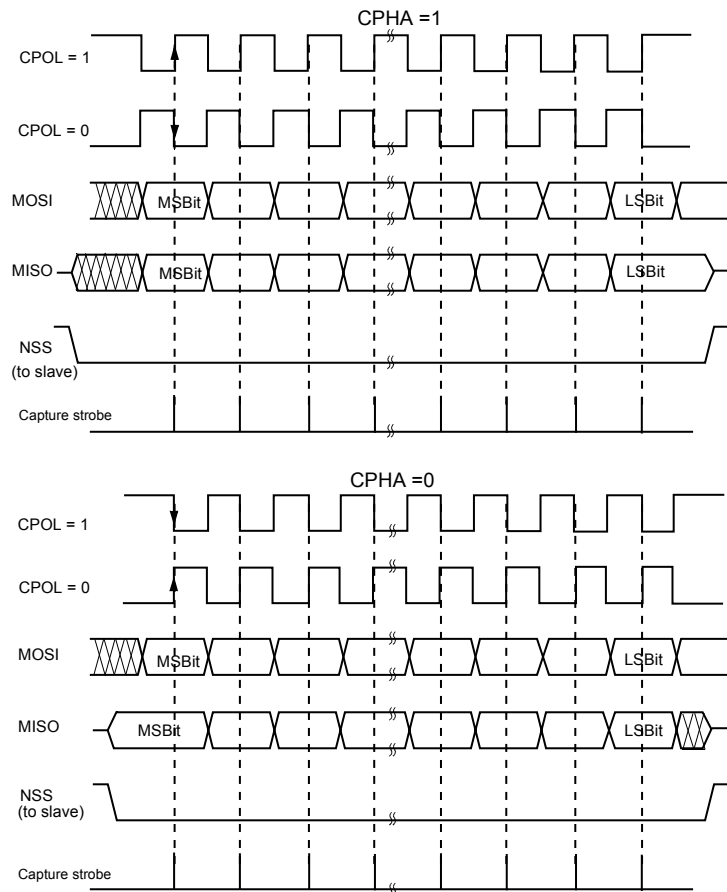
If the CPHA bit is set, the second edge on the SCK pin captures the first data bit transacted (falling edge if the CPOL bit is reset, rising edge if the CPOL bit is set). Data are latched on each occurrence of this clock transition type. If the CPHA bit is reset, the first edge on the SCK pin captures the first data bit transacted (falling edge if the CPOL bit is set, rising edge if the CPOL bit is reset). Data are latched on each occurrence of this clock transition type.

The combination of CPOL (clock polarity) and CPHA (clock phase) bits selects the data capture clock edge.

Figure 167. Data clock timing diagram shows an SPI full-duplex transfer with the four combinations of the CPHA and CPOL bits.

Note: Prior to changing the CPOL/CPHA bits the SPI must be disabled by resetting the SPE bit. The idle state of SCK must correspond to the polarity selected in the SPIx_CR1 register (by pulling up SCK if CPOL=1 or pulling down SCK if CPOL=0).

Figure 167. Data clock timing diagram

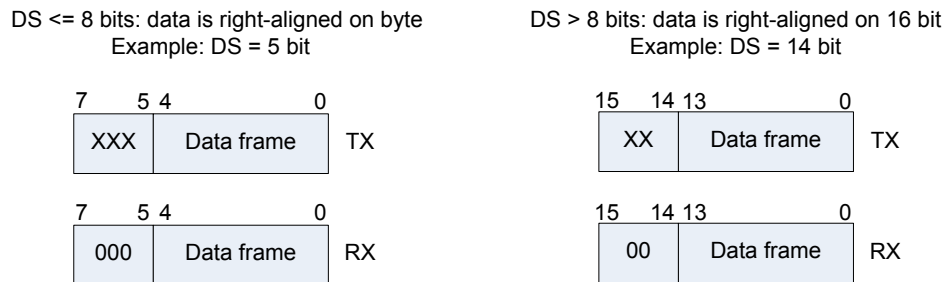


1. The order of data bits depends on LSBFIRST bit setting.

Data frame format

The SPI shift register can be set up to shift out MSB-first or LSB-first, depending on the value of the LSBFIRST bit. The data frame size is chosen by using the DS bits. It can be set from 4-bit up to 16-bit length and the setting applies for both transmission and reception.

Whatever the selected data frame size, read access to the FIFO must be aligned with the FRXTH level. When the SPIx_DR register is accessed, data frames are always right-aligned into either a byte (if the data fits into a byte) or a half-word (see Figure 168. Data alignment when data length is not equal to 8-bit or 16-bit). During communication, only bits within the data frame are clocked and transferred.

Figure 168. Data alignment when data length is not equal to 8-bit or 16-bit


Note: The minimum data length is 4 bits. If a data length of less than 4 bits is selected, it is forced to an 8-bit data frame size.

24.5.6 Configuration of SPI

The configuration procedure is almost the same for master and slave. For specific mode setups, follow the dedicated sections. When a standard communication is to be initialized, perform these steps:

1. Write proper GPIO registers: configure GPIO for MOSI, MISO and SCK pins.
2. Write to the SPI_CR1 register:
 - a. Configure the serial clock baud rate using the BR[2:0] bits ⁽¹⁾.
 - b. Configure the CPOL and CPHA bits combination to define one of the four relationships between the data transfer and the serial clock (CPHA must be cleared in NSSP mode)⁽²⁾.
 - c. Select simplex or half-duplex mode by configuring RXONLY or BIDIMODE and BIDIOE (RXONLY and BIDIMODE cannot be set at the same time).
 - d. Configure the LSBFIRST bit to define the frame format⁽²⁾.
 - e. Configure the CRCL and CRCEN bits if CRC is needed (while SCK clock signal is at idle state).
 - f. Configure SSM and SSI⁽²⁾ ⁽³⁾.
 - g. Configure the MSTR bit (in multimaster NSS configuration, avoid conflict state on NSS if master is configured to prevent MODF error).
3. Write to SPI_CR2 register:
 - a. Configure the DS[3:0] bits to select the data length for the transfer.
 - b. Configure SSOE⁽²⁾⁽³⁾ ⁽⁴⁾.
 - c. Set the FRF bit if the TI protocol is required (keep NSSP bit cleared in TI mode).
 - d. Set the NSSP bit if the NSS pulse mode between two data units is required (keep CHPA and TI bits cleared in NSSP mode).
 - e. Configure the FRXTH bit. The RXFIFO threshold must be aligned to the read access size for the SPIx_DR register.
 - f. Initialize LDMA_TX and LDMA_RX bits if DMA is used in packed mode.
4. Write to SPI_CRCPR register: Configure the CRC polynomial if needed.
5. Write proper DMA registers: Configure DMA streams dedicated for SPI Tx and Rx in DMA registers if the DMA streams are used.

Note:

1. The step is not required in slave mode except slave working at TI mode.
2. Step is not required in TI mode.
3. Step is not required in NSSP mode.
4. Step is not required in slave mode.

24.5.7 Procedure to enable SPI

It is recommended to enable the SPI slave before the master sends the clock. If not, undesired data transmission might occur. The data register of the slave must already contain data to be sent before starting communication with the master (either on the first edge of the communication clock, or before the end of the on-going communication if the clock signal is continuous). The SCK signal must be settled at an idle state level corresponding to the selected polarity before the SPI slave is enabled.

The master at full-duplex (or in any transmit-only mode) starts to communicate when the SPI is enabled and TXFIFO is not empty, or with the next write to TXFIFO.

In any master receive-only mode (RXONLY=1 or BIDIMODE=1 & BIDIOE=0), the master starts to communicate and the clock starts running immediately after SPI is enabled.

To deal with DMA, follow the dedicated section.

24.5.8 Data transmission and reception procedures

RXFIFO and TXFIFO

All SPI data transactions pass through the 32-bit embedded FIFOs. This enables the SPI to work in a continuous flow, and prevents overruns when the data frame size is short. Each direction has its own FIFO called TXFIFO and RXFIFO. These FIFOs are used in all SPI modes except for receiver-only mode (slave or master) with CRC calculation enabled (see [Section 24.5.13: CRC calculation](#)).

The handling of FIFOs depends on the data exchange mode (duplex, simplex), data frame format (number of bits in the frame), access size performed on the FIFO data registers (8-bit or 16-bit), and whether or not data packing is used when accessing the FIFOs (see [Section 24.5.12: TI mode](#)).

A read access to the SPIx_DR register returns the oldest value stored in RXFIFO that has not been read yet. A write access to the SPIx_DR stores the written data in the TXFIFO at the end of a send queue. The read access must be always aligned with the RXFIFO threshold configured by the FRXTH bit in the SPIx_CR2 register. FTLVL[1:0] and FRLVL[1:0] bits indicate the current occupancy level of both FIFOs.

A read access to the SPIx_DR register must be managed by the RXNE event. This event is triggered when data is stored in RXFIFO and the threshold (defined by FRXTH bit) is reached. When RXNE is cleared, RXFIFO is considered to be empty. In a similar way, write access of a data frame to be transmitted is managed by the TXE event. This event is triggered when the TXFIFO level is less than or equal to half of its capacity. Otherwise TXE is cleared and the TXFIFO is considered as full. In this way, RXFIFO can store up to four data frames, whereas TXFIFO can only store up to three when the data frame format is not greater than 8 bits. This difference prevents possible corruption of 3x 8-bit data frames already stored in the TXFIFO when software tries to write more data in 16-bit mode into TXFIFO. Both TXE and RXNE events can be polled or handled by interrupts. See

[Figure 170. Master full-duplex communication](#) through [Figure 173. Master full-duplex communication in packed mode](#).

Another way to manage the data exchange is to use DMA (see [Section 10: DMA controller \(DMA\)](#)).

If the next data is received when the RXFIFO is full, an overrun event occurs (see description of OVR flag in [Section 24.5.9: SPI status flags](#)). An overrun event can be polled or handled by an interrupt.

The BSY bit being set indicates on-going transaction of a current data frame. When the clock signal runs continuously, the BSY flag stays set between data frames at master but becomes low for a minimum duration of one SPI clock at slave between each data frame transfer.

Sequence handling

A few data frames can be passed at single sequence to complete a message. When transmission is enabled, a sequence begins and continues while any data is present in the TXFIFO of the master. The clock signal is provided continuously by the master until TXFIFO becomes empty, then it stops waiting for additional data.

In receive-only modes, half-duplex (BIDIMODE=1, BIDIOE=0) or simplex (BIDIMODE=0, RXONLY=1) the master starts the sequence immediately when both SPI is enabled and receive-only mode is activated. The clock signal is provided by the master and it does not stop until either SPI or receive-only mode is disabled by the master. The master receives data frames continuously up to this moment.

While the master can provide all the transactions in continuous mode (SCK signal is continuous) it has to respect slave capability to handle data flow and its content at anytime. When necessary, the master must slow down the communication and provide either a slower clock or separate frames or data sessions with sufficient delays. Be aware there is no underflow error signal for master or slave in SPI mode, and data from the slave is always transacted and processed by the master even if the slave could not prepare it correctly in time. It is preferable for the slave to use DMA, especially when data frames are shorter and bus rate is high.

Each sequence must be encased by the NSS pulse in parallel with the multi-slave system to select just one of the slaves for communication. In a single slave system it is not necessary to control the slave with NSS, but it is often better to provide the pulse here too, to synchronize the slave with the beginning of each data sequence. NSS can be managed by both software and hardware (see [Section 24.5.4: Slave select \(NSS\) pin management](#)).

When the BSY bit is set it signifies an on-going data frame transaction. When the dedicated frame transaction is finished, the RXNE flag is raised. The last bit is just sampled and the complete data frame is stored in the RXFIFO.

Procedure to disable the SPI

When SPI is disabled, it is mandatory to follow the disable procedures described in this paragraph. It is important to do this before the system enters a low-power mode when the peripheral clock is stopped. On-going transactions can be corrupted in this case. In some modes the disable procedure is the only way to stop continuous communication running.

Master in full-duplex or transmit only mode can finish any transaction when it stops providing data for transmission. In this case, the clock stops after the last data transaction. Special care must be taken in packing mode when an odd number of data frames are transacted to prevent some dummy byte exchange (refer to Data packing section). Before the SPI is disabled in these modes, the user must follow the standard disable procedure. When the SPI is disabled at the master transmitter while a frame transaction is on-going or next data frame is stored in TXFIFO, the SPI behavior is not guaranteed.

When the master is in any receive-only mode, the only way to stop the continuous clock is to disable the peripheral by SPE=0. This must occur in a specific time window within the last data frame transaction just between the sampling time of its first bit and before its last bit transfer starts (in order to receive a complete number of expected data frames and to prevent any additional "dummy" data reading after the last valid data frame). A specific procedure must be followed when disabling SPI in this mode.

Data received but not read remains stored in RXFIFO when the SPI is disabled, and must be processed the next time the SPI is enabled, before starting a new sequence. To prevent having unread data, ensure that RXFIFO is empty when disabling the SPI, by using the correct disabling procedure, or by initializing all the SPI registers with a software reset via the control of a specific register dedicated to peripheral reset (see the SPIIRST bits in the RCC_APB1RSTR registers).

Standard disable procedure is based on pulling BSY status together with FTLVL[1:0] to check if a transmission session is fully completed. This check can be done in specific cases, too, when it is necessary to identify the end of on-going transactions, for example:

- When NSS signal is managed by software and master has to provide proper end of NSS pulse for slave, or
- When transactions' streams from DMA or FIFO are completed while the last data frame or CRC frame transaction is still on-going in the peripheral bus.

The correct disable procedure is (except when receive-only mode is used):

1. Wait until FTLVL[1:0] = 00 (no more data to transmit).
2. Wait until BSY=0 (the last data frame is processed).
3. Disable the SPI(SPE=0).
4. Read data until FRLVL[1:0] = 00 (read all the received data).

The correct disable procedure for certain receive-only modes is:

1. Interrupt the receive flow by disabling SPI (SPE=0) in the specific time window while the last data frame is on-going.
2. Wait until BSY=0 (the last data frame is processed).
3. Read data until FRLVL[1:0] = 00 (read all the received data).

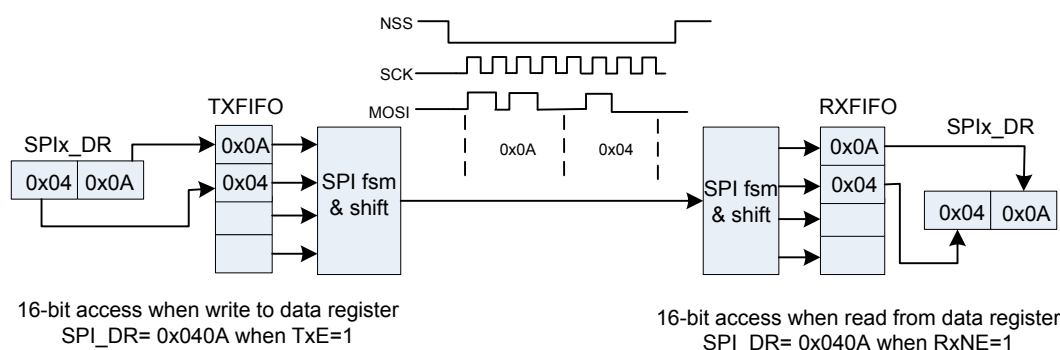
Note: *If packing mode is used and an odd number of data frames with a format less than or equal to 8 bits (fitting into one byte) has to be received, FRXTH must be set when FRLVL[1:0] = 01, in order to generate the RXNE event to read the last odd data frame and to keep good FIFO pointer alignment.*

Data packing

When the data frame size fits into one byte (less than or equal to 8 bits), data packing is used automatically when any read or write 16-bit access is performed on the SPIx_DR register. The double data frame pattern is handled in parallel in this case. At first, the SPI operates using the pattern stored in the LSB of the accessed word, then with the other half stored in the MSB. [Figure 169. Packing data in FIFO for transmission and reception](#) provides an example of data packing mode sequence handling. Two data frames are sent after the single 16-bit accesses the SPIx_DR register of the transmitter. This sequence can generate just one RXNE event in the receiver if the RXFIFO threshold is set to 16 bits (FRXTH=0). The receiver then has to access both data frames by a single 16-bit read of SPIx_DR as a response to this single RXNE event. The Rx FIFO threshold setting and the following read access must be always kept aligned at the receiver side, as data can be lost if it is not in line.

A specific problem appears if an odd number of such “fit into one byte” data frames must be handled. On the transmitter side, writing the last data frame of any odd sequence with an 8-bit access to SPIx_DR is enough. The receiver has to change the Rx_FIFO threshold level for the last data frame received in the odd sequence of frames in order to generate the RXNE event.

Figure 169. Packing data in FIFO for transmission and reception



Communication using DMA (direct memory addressing)

To operate at its maximum speed and to facilitate the data register read/write process required to avoid overrun, the SPI features a DMA capability, which implements a simple request/acknowledge protocol.

A DMA access is requested when the TXE or RXNE enable bit in the SPIx_CR2 register is set. Separate requests must be issued to the Tx and Rx buffers.

- In transmission, a DMA request is issued each time TXE is set to 1. The DMA then writes to the SPIx_DR register.
- In reception, a DMA request is issued each time RXNE is set to 1. The DMA then reads the SPIx_DR register.

See [Figure 170. Master full-duplex communication](#) through [Figure 173. Master full-duplex communication in packed mode](#).

When the SPI is used only to transmit data, it is possible to enable only the SPI Tx DMA channel. In this case, the OVR flag is set because the data received is not read. When the SPI is used only to receive data, it is possible to enable only the SPI Rx DMA channel.

In transmission mode, when the DMA has written all the data to be transmitted (the TCIF flag is set in the DMA_ISR register), the BSY flag can be monitored to ensure that the SPI communication is complete. This is required to avoid corrupting the last transmission before disabling the SPI or entering the Stop mode. The software must first wait until FTLVL[1:0]=00 and then until BSY=0.

When starting communication using DMA, to prevent DMA channel management raising error events, these steps must be followed in order:

1. Enable DMA Rx buffer in the RXDMAEN bit in the SPI_CR2 register, if DMA Rx is used.
2. Enable DMA streams for Tx and Rx in DMA registers, if the streams are used.
3. Enable DMA Tx buffer in the TXDMAEN bit in the SPI_CR2 register, if DMA Tx is used.
4. Enable the SPI by setting the SPE bit.

To close communication it is mandatory to follow these steps in order:

1. Disable DMA streams for Tx and Rx in the DMA registers, if the streams are used.
2. Disable the SPI by following the SPI disable procedure.

3. Disable DMA Tx and Rx buffers by clearing the TXDMAEN and RXDMAEN bits in the SPI_CR2 register, if DMA Tx and/or DMA Rx are used.

Packing with DMA

If the transfers are managed by DMA (TXDMAEN and RXDMAEN set in the SPIx_CR2 register) packing mode is enabled/disabled automatically depending on the PSIZE value configured for SPI TX and the SPI RX DMA channel. If the DMA channel PSIZE value is equal to 16-bit and SPI data size is less than or equal to 8-bit, then packing mode is enabled. The DMA then automatically manages the write operations to the SPIx_DR register.

If data packing mode is used and the number of data to transfer is not a multiple of two, the LDMA_TX/LDMA_RX bits must be set. The SPI then considers only one data for the transmission or reception to serve the last DMA transfer (for more details refer to Data packing).

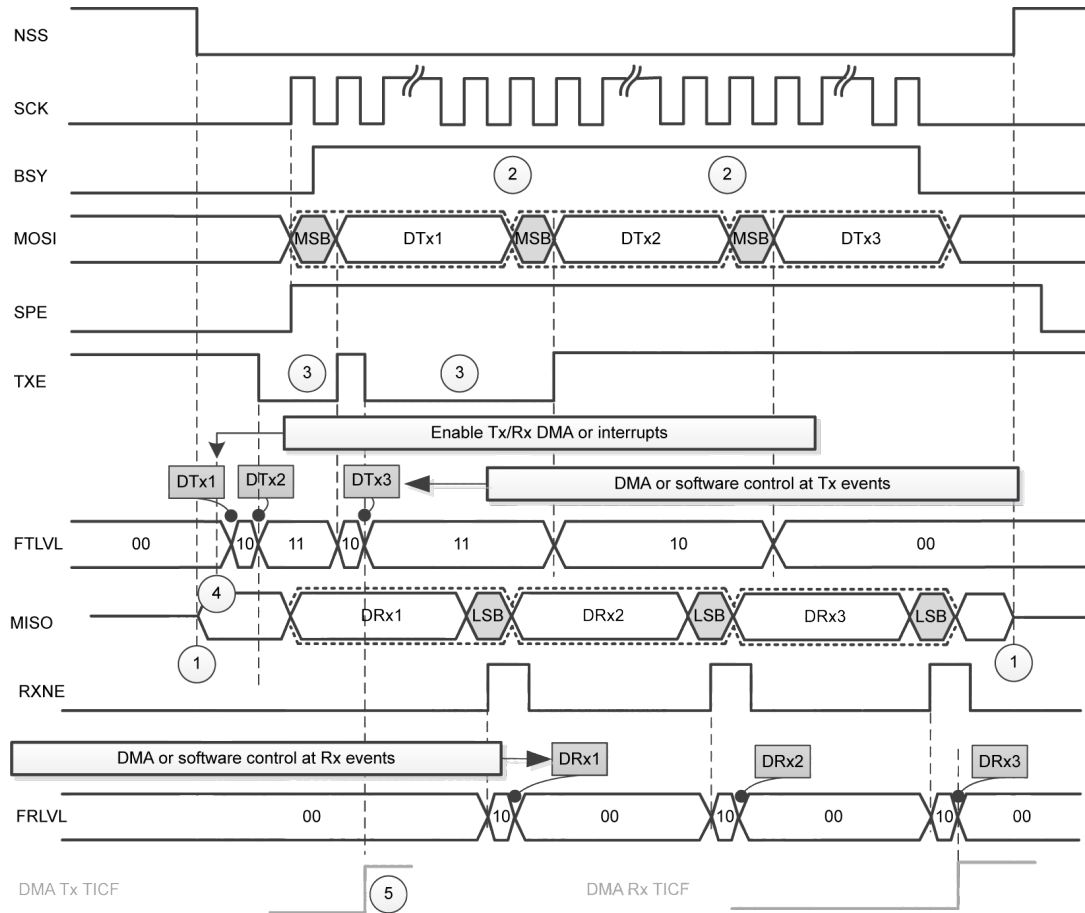
Communication diagrams

Some typical timing schemes are explained in this section. These schemes are valid whether the SPI events are handled by pulling, interrupts or DMA. For simplicity, the LSBFIRST=0, CPOL=0 and CPHA=1 setting is used as a common assumption here. No complete configuration of DMA streams is provided.

The following numbered notes are common for [Figure 170. Master full-duplex communication through Figure 173. Master full-duplex communication in packed mode.](#)

1. The slave starts to control MISO line as NSS is active and SPI is enabled, and is disconnected from the line when one of them is released. Sufficient time must be provided for the slave to prepare data dedicated to the master in advance, before its transaction starts. At the master, the SPI peripheral takes control at MOSI and SCK signals (occasionally at NSS signal as well) only if SPI is enabled. If SPI is disabled the SPI peripheral is disconnected from GPIO logic, so the levels at these lines depends on GPIO setting exclusively.
2. At the master, BSY stays active between frames if the communication (clock signal) is continuous. At the slave, BSY signal always goes down for at least one clock cycle between data frames.
3. The TXE signal is cleared only if TXFIFO is full.
4. The DMA arbitration process starts just after the TXDMAEN bit is set. The TXE interrupt is generated just after the TXEIE is set. As the TXE signal is at an active level, data transfers to TxFIFO start, until TxFIFO becomes full or the DMA transfer completes.
5. If all the data to be sent can fit into TxFIFO, the DMA TxTCIF flag can be raised even before communication on the SPI bus starts. This flag always rises before the SPI transaction is completed.
6. The CRC value for a package is calculated continuously frame-by-frame in the SPIx_TxCRCR and SPIx_RxCRCR registers. The CRC information is processed after the entire data package has completed, either automatically by DMA (Tx channel must be set to the number of data frames to be processed) or by SW (the user must handle CRCNEXT bit during the last data frame processing). While the CRC value calculated in SPIx_TxCRCR is simply sent out by transmitter, received CRC information is loaded into RxFIFO and then compared with the SPIx_RxCRCR register content (CRC error flag can be raised here if any difference). This is why the user must take care to flush this information from the FIFO, either by software reading out all the stored content of RxFIFO, or by DMA when the proper number of data frames is preset for Rx channel (number of data frames + number of CRC frames) (see the settings at the example assumption).
7. In data packed mode, TxE and RxNE events are paired and each read/write access to the FIFO is 16 bits wide until the number of data frames are even. If the TxFIFO is $\frac{3}{4}$ full, FTLVL status stays at FIFO full level. That is why the last odd data frame cannot be stored before the TxFIFO becomes $\frac{1}{2}$ full. This frame is stored into TxFIFO with an 8-bit access either by software or automatically by DMA when LDMA_TX control is set.
8. To receive the last odd data frame in packed mode, the Rx threshold must be changed to 8-bit when the last data frame is processed, either by software setting FRXTH=1 or automatically by a DMA internal signal when LDMA_RX is set.

Figure 170. Master full-duplex communication



Assumptions for master full-duplex communication example:

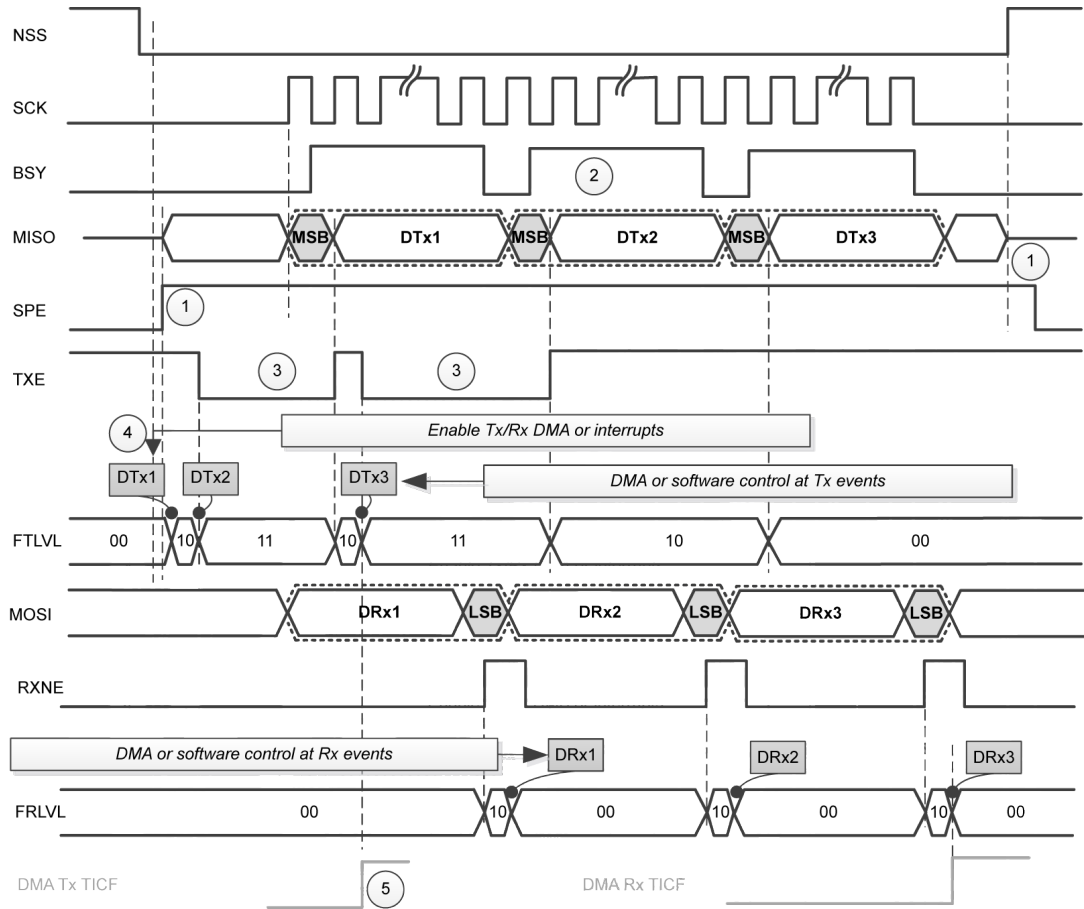
- Data size > 8 bit

If DMA is used:

- Number of Tx frames transacted by DMA is set to 3
- Number of Rx frames transacted by DMA is set to 3

See also: Communication diagrams section for details about common assumptions and notes.

Figure 171. Slave full-duplex communication



Assumptions for slave full-duplex communication example:

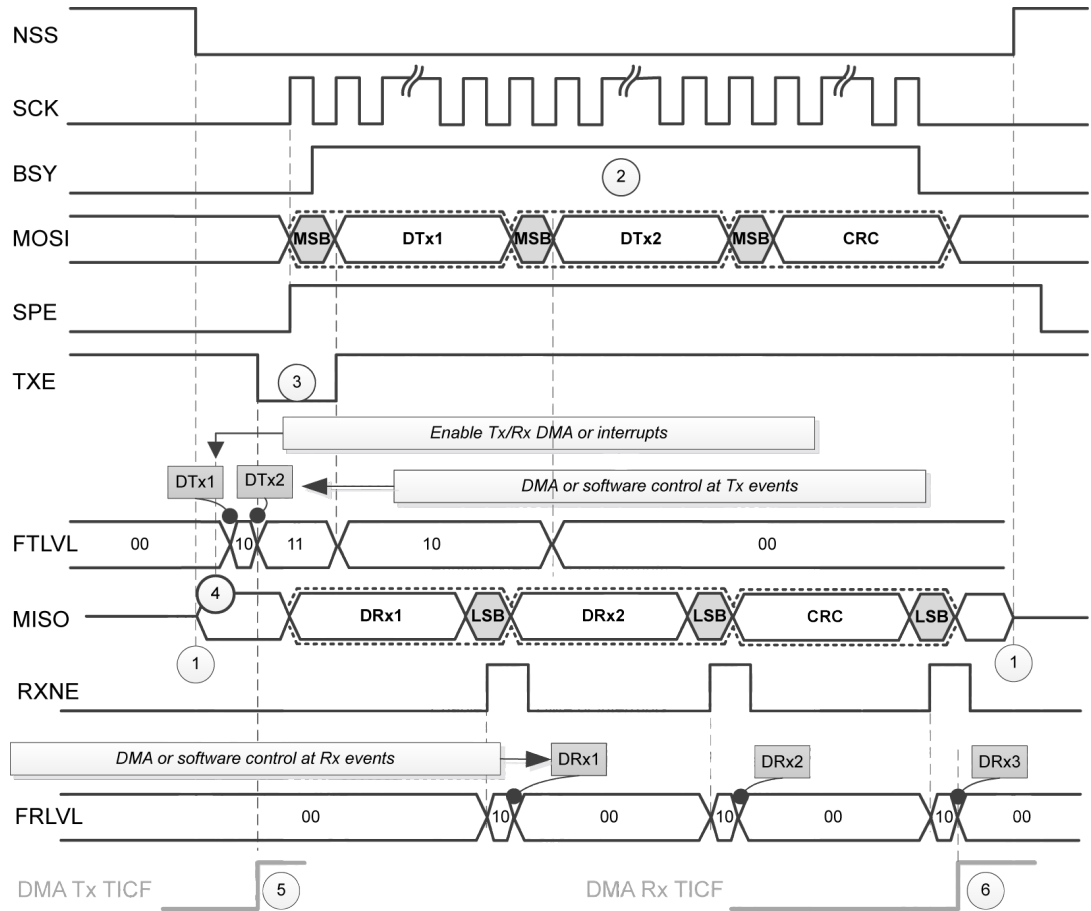
- Data size > 8 bit

If DMA is used:

- Number of Tx frames transacted by DMA is set to 3
- Number of Rx frames transacted by DMA is set to 3

See also: Communication diagrams section for details about common assumptions and notes.

Figure 172. Master full-duplex communication with CRC



Assumptions for master full-duplex communication with CRC example:

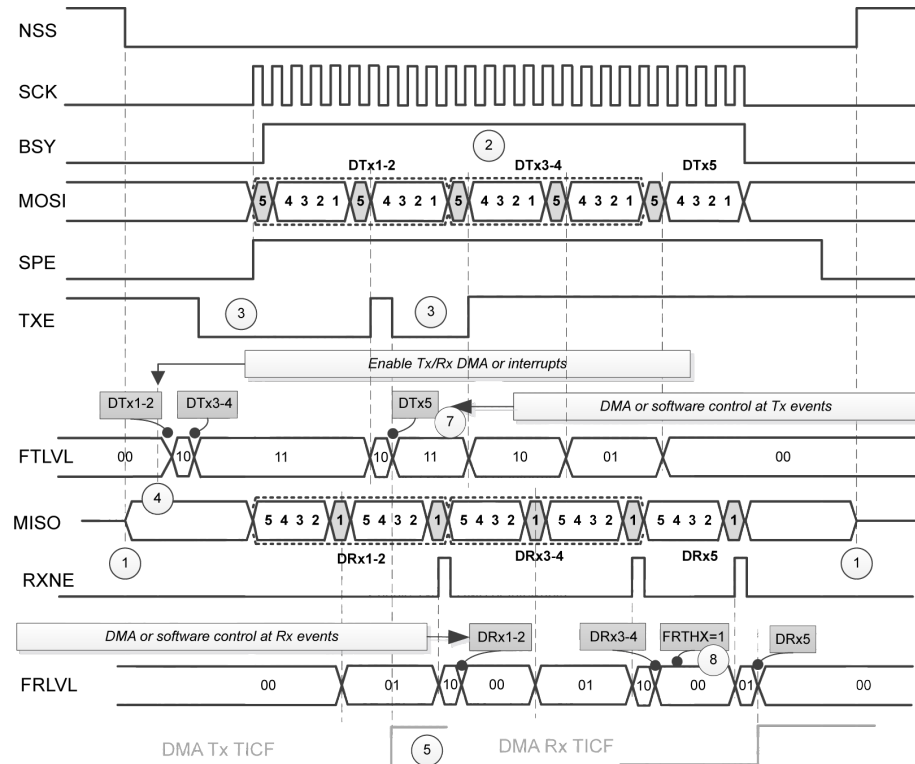
- Data size = 16 bit
- CRC enabled

If DMA is used:

- Number of Tx frames transacted by DMA is set to 2
- Number of Rx frames transacted by DMA is set to 3

See also: Communication diagram section for details about common assumptions and notes.

Figure 173. Master full-duplex communication in packed mode



Assumptions for master full-duplex communication in packed mode example:

- Data size = 5 bit
- Read/write FIFO is performed mostly by 16-bit access
- FRXTH=0.

If DMA is used:

- Number of Tx frames to be transacted by DMA is set to 3
- Number of Rx frames to be transacted by DMA is set to 3
- PSIZE for both Tx and Rx DMA channel is set to 16-bit
- LDMA_TX=1 and LDMA_RX=1

See also: Communication diagrams section for details about common assumptions and notes.

24.5.9 SPI status flags

Three status flags are provided for the application to completely monitor the state of the SPI bus.

Tx buffer empty flag (TXE)

The TXE flag is set when transmission TXFIFO has enough space to store data to send. TXE flag is linked to the TXFIFO level. The flag goes high and stays high until the TXFIFO level is lower or equal to 1/2 of the FIFO depth. An interrupt can be generated if the TXEIE bit in the SPIx_CR2 register is set. The bit is cleared automatically when the TXFIFO level becomes greater than 1/2.

Rx buffer not empty (RXNE)

The RXNE flag is set depending on the FRXTH bit value in the SPIx_CR2 register:

- If FRXTH is set, RXNE goes high and stays high until the RXFIFO level is greater or equal to 1/4 (8-bit).
- If FRXTH is cleared, RXNE goes high and stays high until the RXFIFO level is greater than or equal to 1/2 (16-bit).

An interrupt can be generated if the RXNEIE bit in the SPIx_CR2 register is set.

The RXNE is cleared by hardware automatically when the above conditions are no longer true.

Busy flag (BSY)

The BSY flag is set and cleared by hardware (writing to this flag has no effect).

When BSY is set, it indicates that a data transfer is in progress on the SPI (the SPI bus is busy).

The BSY flag can be used in certain modes to detect the end of a transfer so that the software can disable the SPI or its peripheral clock before entering a low-power mode which does not provide a clock for the peripheral. This avoids corrupting the last transfer.

The BSY flag is also useful for preventing write collisions in a multimaster system. The BSY flag is cleared under any one of the following conditions:

- When the SPI is correctly disabled
- When a fault is detected in master mode (MODF bit set to 1)
- In master mode, when it finishes a data transmission and no new data is ready to be sent
- In slave mode, when the BSY flag is set to '0' for at least one SPI clock cycle between each data transfer.

Note: When the next transmission can be handled immediately by the master (e.g. if the master is in receive-only mode or its Transmit FIFO is not empty), communication is continuous and the BSY flag remains set to '1' between transfers on the master side. Although this is not the case with a slave, it is recommended to use always the TXE and RXNE flags (instead of the BSY flags) to handle data transmission or reception operations.

24.5.10 SPI error flags

An SPI interrupt is generated if one of the following error flags is set and interrupt is enabled by setting the ERRIE bit.

Overrun flag (OVR)

An overrun condition occurs when data is received by a master or slave and the RXFIFO has not enough space to store this received data. This can happen if the software or the DMA did not have enough time to read the previously received data (stored in the RXFIFO) or when space for data storage is limited, e.g. the RXFIFO is not available when CRC is enabled in receive-only mode so in this case the reception buffer is limited into a single data frame buffer (see [Section 24.5.13: CRC calculation](#)).

When an overrun condition occurs, the newly received value does not overwrite the previous one in the RXFIFO. The newly received value is discarded and all data transmitted subsequently is lost. Clearing the OVR bit is done by a read access to the SPI_DR register followed by a read access to the SPI_SR register.

Mode fault (MODF)

Mode fault occurs when the master device has its internal NSS signal (NSS pin in NSS hardware mode, or SSI bit in NSS software mode) pulled low. This automatically sets the MODF bit. Master mode fault affects the SPI interface in the following ways:

- The MODF bit is set and an SPI interrupt is generated if the ERRIE bit is set
- The SPE bit is cleared. This blocks all output from the device and disables the SPI interface.
- The MSTR bit is cleared, thus forcing the device into slave mode.
Use the following software sequence to clear the MODF bit:
 1. Make a read or write access to the SPIx_SR register while the MODF bit is set.
 2. Then write to the SPIx_CR1 register.

To avoid any multiple slave conflicts in a system comprising several MCUs, the NSS pin must be pulled high during the MODF bit clearing sequence. The SPE and MSTR bits can be restored to their original state after this clearing sequence. For security, hardware does not allow the SPE and MSTR bits to be set while the MODF bit is set. In a slave device the MODF bit cannot be set except as the result of a previous multimaster conflict.

CRC error (CRCERR)

This flag is used to verify the validity of the value received when the CRCEN bit in the SPIx_CR1 register is set. The CRCERR flag in the SPIx_SR register is set if the value received in the shift register does not match the receiver SPIx_RXCRCR value. The flag is cleared by the software.

TI mode frame format error (FRE)

A TI mode frame format error is detected when an NSS pulse occurs during an on-going communication when the SPI is operating in slave mode and configured to conform to the TI mode protocol. When this error occurs, the FRE flag is set in the SPIx_SR register. The SPI is not disabled when an error occurs, the NSS pulse is ignored, and the SPI waits for the next NSS pulse before starting a new transfer. The data may be corrupted since the error detection may result in the loss of two data bytes.

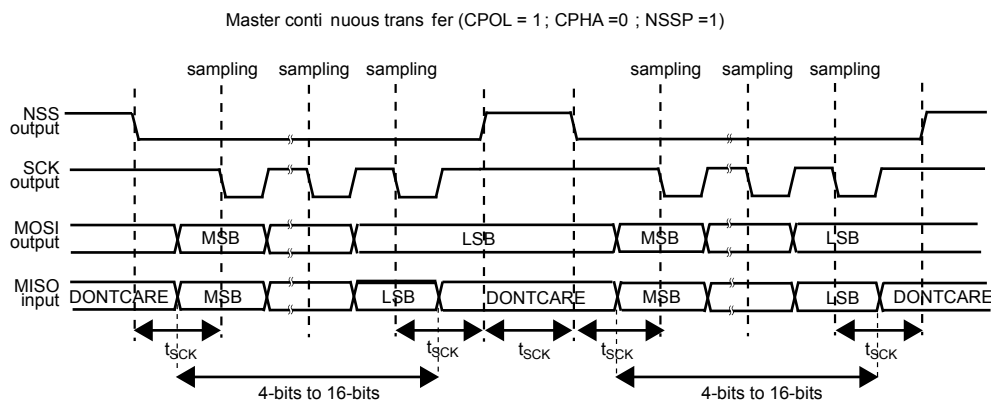
The FRE flag is cleared when SPIx_SR register is read. If the ERRIE bit is set, an interrupt is generated on the NSS error detection. In this case, the SPI should be disabled because data consistency is no longer guaranteed and communications should be reinitiated by the master when the slave SPI is enabled again.

24.5.11 NSS pulse mode

This mode is activated by the NSSP bit in the SPIx_CR2 register and it takes effect only if the SPI interface is configured as Motorola SPI master (FRF=0) with capture on the first edge (SPIx_CR1 CPHA=0, CPOL setting is ignored). When activated, an NSS pulse is generated between two consecutive data frame transfers when NSS stays at high level for the duration of one clock period at least. This mode allows the slave to latch data. NSS pulse mode is designed for applications with a single master-slave pair.

Figure 174. NSSP pulse generation in Motorola SPI master mode illustrates NSS pin management when NSSP pulse mode is enabled.

Figure 174. NSSP pulse generation in Motorola SPI master mode



Note: Similar behavior is encountered when CPOL=0. In this case the sampling edge is the rising edge of SCK, and NSS assertion and deassertion refer to this sampling edge.

24.5.12 TI mode

TI protocol in master mode

The SPI interface is compatible with the TI protocol. The FRF bit of the SPIx_CR2 register can be used to configure the SPI to be compliant with this protocol.

The clock polarity and phase are forced to conform to the TI protocol requirements whatever the values set in the SPIx_CR1 register. NSS management is also specific to the TI protocol which makes the configuration of NSS management through the SPIx_CR1 and SPIx_CR2 registers (SSM, SSI, SSOE) impossible in this case.

In slave mode, the SPI baud rate prescaler is used to control the moment when the MISO pinstate changes to HiZ when the current transaction finishes (see Figure 175. TI mode transfer). Any baud rate can be used, making it possible to determine this moment with optimal flexibility.

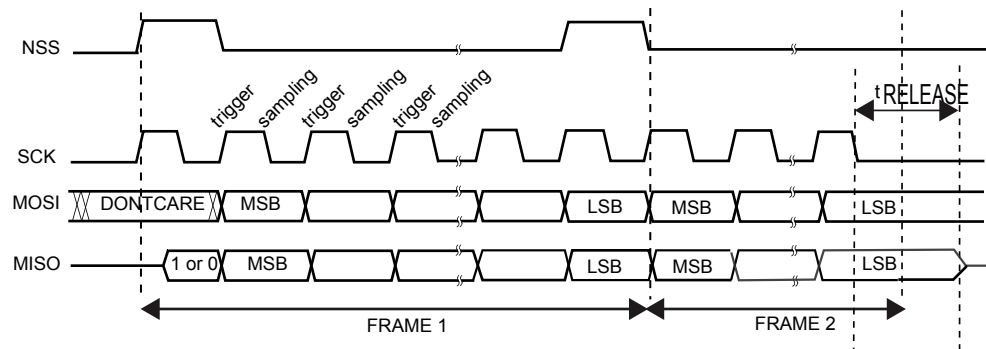
However, the baud rate is generally set to the external master clock baud rate. The delay for the MISO signal to become HiZ ($t_{release}$) depends on internal resynchronization and on the baud rate value set through the BR[2:0] bits in the SPIx_CR1 register. It is given by the formula below:

$$\frac{t_{baud_rate}}{2} + 4 \times t_{pclk} < t_{release} < \frac{t_{baud_rate}}{2} + 6 \times t_{pclk} \quad (8)$$

If the slave detects a misplaced NSS pulse during a data frame transaction the TIFRE flag is set.

If the data size is equal to 4-bits or 5-bits, the master in full-duplex mode or transmit-only mode uses a protocol with one more dummy data bit added after LSB. TI NSS pulse is generated above this dummy bit clock cycle instead of the LSB in each period. This feature is not available for Motorola SPI communications (FRF bit set to 0).

Figure 175. TI mode transfer shows the SPI communication waveforms when TI mode is selected.

Figure 175. TI mode transfer


24.5.13 CRC calculation

Two separate CRC calculators are implemented in order to check the reliability of transmitted and received data. The SPI offers CRC8 or CRC16 calculation independently of the frame data length, which can be fixed to 8-bit or 16-bit. For all the other data frame lengths, no CRC is available.

CRC principle

CRC calculation is enabled by setting the CRCEN bit in the SPIx_CR1 register before the SPI is enabled (SPE = 1). The CRC value is calculated using an odd programmable polynomial on each bit. The calculation is processed on the sampling clock edge defined by the CPHA and CPOL bits in the SPIx_CR1 register. The calculated CRC value is checked automatically at the end of the data block as well as for transfer managed by CPU or by the DMA. When a mismatch is detected between the CRC calculated internally on the received data and the CRC sent by the transmitter, a CRCERR flag is set to indicate a data corruption error. The right procedure for handling the CRC calculation depends on the SPI configuration and the chosen transfer management.

Note: The polynomial value should only be odd. No even values are supported.

CRC transfer managed by CPU

Communication starts and continues normally until the last data frame has to be sent or received in the SPIx_DR register. Then, the CRCNEXT bit has to be set in the SPIx_CR1 register to indicate that the CRC frame transaction follows after the transaction of the currently processed data frame. The CRCNEXT bit must be set before the end of the last data frame transaction. CRC calculation is frozen during CRC transaction.

The received CRC is stored in the RXFIFO like a data byte or word. That is why in CRC mode only, the reception buffer has to be considered as a single 16-bit buffer used to receive-only one data frame at a time.

A CRC-format transaction usually takes one more data frame to communicate at the end of data sequence. However, when setting an 8-bit data frame checked by 16-bit CRC, two more frames are necessary to send the complete CRC.

When the last CRC data is received, an automatic check is performed comparing the received value and the value in the SPIx_RXCRC register. Software has to check the CRCERR flag in the SPIx_SR register to determine if the data transfers were corrupted or not. Software clears the CRCERR flag by writing '0' to it.

After the CRC reception, the CRC value is stored in the RXFIFO and must be read in the SPIx_DR register in order to clear the RXNE flag.

CRC transfer managed by DMA

When SPI communication is enabled with CRC communication and DMA mode, the transmission and reception of the CRC at the end of communication is automatic (with the exception of reading CRC data in receive-only mode). The CRCNEXT bit does not have to be handled by the software. The counter for the SPI transmission DMA channel has to be set to the number of data frames to transmit excluding the CRC frame. On the receiver side, the received CRC value is handled automatically by DMA at the end of the transaction but the user must take care to flush out received CRC information from RXFIFO as it is always loaded into it. In full-duplex mode, the counter of the reception DMA channel can be set to the number of data frames to receive including the CRC, which means, for example, in the specific case of an 8-bit data frame checked by 16-bit CRC:

$DMA_RX = Numb_of_data + 2$

In receive-only mode, the DMA reception channel counter should contain only the amount of data transferred, excluding the CRC calculation. Then, based on the complete transfer from DMA, all the CRC values must be read back by software from FIFO as it works as a single buffer in this mode.

At the end of the data and CRC transfers, the CRCERR flag in the SPIx_SR register is set if corruption occurred during the transfer.

If packing mode is used, the LDMA_RX bit needs managing if the number of data is odd.

Resetting the SPIx_TXCRC and SPIx_RXCRC values

The SPIx_TXCRC and SPIx_RXCRC values are cleared automatically when new data is sampled after a CRC phase. This allows the use of DMA circular mode (not available in receive-only mode) in order to transfer data without any interruption, (several data blocks covered by intermediate CRC checking phases).

If the SPI is disabled during a communication, the following sequence must be followed:

1. Disable the SPI
2. Clear the CRCEN bit
3. Enable the CRCEN bit
4. Enable the SPI

Note: When the SPI is in slave mode, the CRC calculator is sensitive to the SCK slave input clock as soon as the CRCEN bit is set, and this is the case whatever the value of the SPE bit. In order to avoid any wrong CRC calculation, the software must enable CRC calculation only when the clock is stable (in steady-state). When the SPI interface is configured as a slave, the NSS internal signal needs to be kept low between the data phase and the CRC phase.

24.6 SPI interrupts

During SPI communication an interrupt can be generated by the following events:

- Transmit TXFIFO ready to be loaded
- Data received in Receive RXFIFO
- Master mode fault
- Overrun error
- TI frame format error

Interrupts can be enabled and disabled separately.

Table 110. SPI interrupts requests

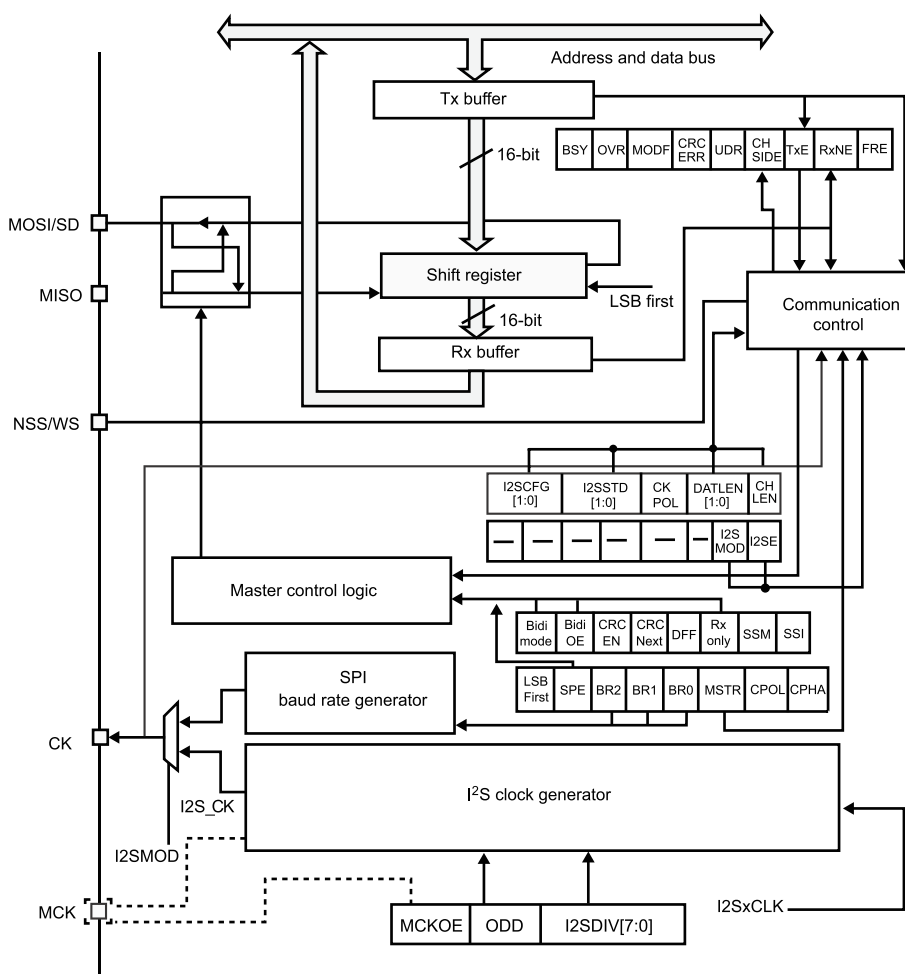
| Interrupt event | Event flag | Enable control bit |
|------------------------------------|------------|--------------------|
| Transmit TXFIFO ready to be loaded | TXE | TXEIE |
| Data received in RXFIFO | RXNE | RXNEIE |
| Master mode fault event | MODF | ERRIE |
| Overrun error | OVR | |
| TI frame format error | FRE | |

24.7 I2S functional description

24.7.1 I2S general description

The block diagram of the I²S is shown below.

Figure 176. I²S block diagram



The SPI can function as an audio I²S interface when the I²S capability is enabled (by setting the I2SMOD bit in the SPIx_I2SCFGR register). This interface mainly uses the same pins, flags and interrupts as the SPI.

The I²S shares three common pins with the SPI:

- SD: serial data (mapped on the MOSI pin) to transmit or receive the two time-multiplexed data channels (in half-duplex mode only).
- WS: word select (mapped on the NSS pin) is the data control signal output in master mode and input in slave mode.
- CK: serial clock (mapped on the SCK pin) is the serial clock output in master mode and serial clock input in slave mode.

An additional pin can be used when a master clock output is needed for some external audio devices:

- MCK: master clock (mapped separately) is used, when the I²S is configured in master mode (and when the MCKOE bit in the SPIx_I2SPR register is set), to output this additional clock generated at a preconfigured frequency rate equal to $256 \times f_s$, where f_s is the audio sampling frequency.

The I²S uses its own clock generator to produce the communication clock when it is set in master mode. This clock generator is also the source of the master clock output. Two additional registers are available in I²S mode.

One is linked to the clock generator configuration SPIx_I2SPR and the other one is a generic I²S configuration register SPIx_I2SCFGR (audio standard, slave/master mode, data format, packet frame, clock polarity, etc.).

The SPIx_CR1 register and all CRC registers are not used in the I²S mode. Likewise, the SSOE bit in the SPIx_CR2 register and the MODF and CRCERR bits in the SPIx_SR are not used.

The I²S uses the same SPI register for data transfer (SPIx_DR) in 16-bit wide mode.

24.7.2 Supported audio protocols

The three-line bus has to handle only audio data generally time-multiplexed on two channels: the right channel and the left channel. However there is only one 16-bit register for transmission or reception. So, it is up to the software to write into the data register the appropriate value corresponding to each channel side, or to read the data from the data register and to identify the corresponding channel by checking the CHSIDE bit in the SPIx_SR register. Channel left is always sent first followed by the channel right (CHSIDE has no meaning for the PCM protocol).

Four data and packet frames are available. Data may be sent with a format of:

- 16-bit data packed in a 16-bit frame
- 16-bit data packed in a 32-bit frame
- 24-bit data packed in a 32-bit frame
- 32-bit data packed in a 32-bit frame

When using 16-bit data extended on a 32-bit packet, the first 16 bits (MSB) are the significant bits, the 16-bit LSB is forced to 0 without any need for software action or DMA request (only one read/write operation).

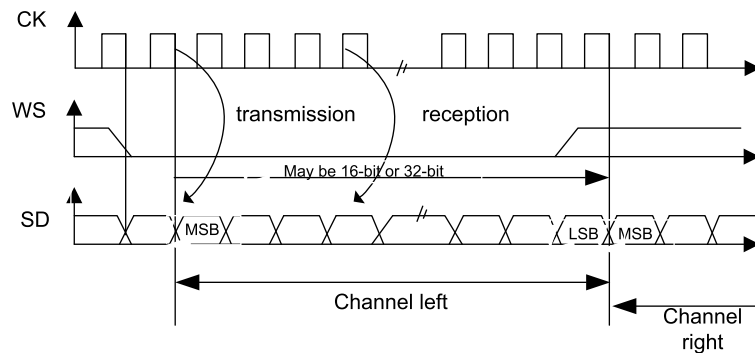
The 24-bit and 32-bit data frames need two CPU read or write operations to/from the SPIx_DR register or two DMA operations if the DMA is preferred for the application. For 24-bit data frame specifically, the 8 non significant bits are extended to 32 bits with 0-bits (by hardware).

For all data formats and communication standards, the most significant bit is always sent first (MSB first).

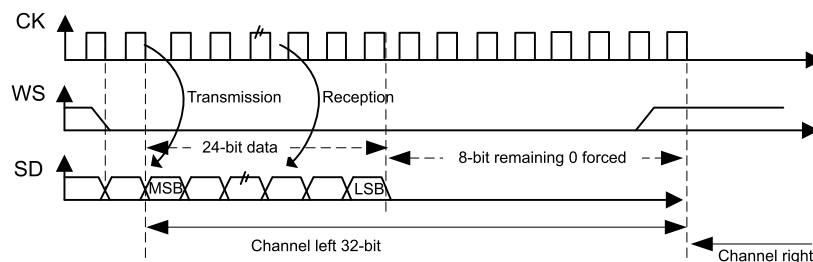
The I²S interface supports four audio standards, configurable using the I2SSTD[1:0] and PCMSYNC bits in the SPIx_I2SCFGR register.

I²S Philips standard

For this standard, the WS signal is used to indicate which channel is being transmitted. It is activated one CK clock cycle before the first bit (MSB) is available.

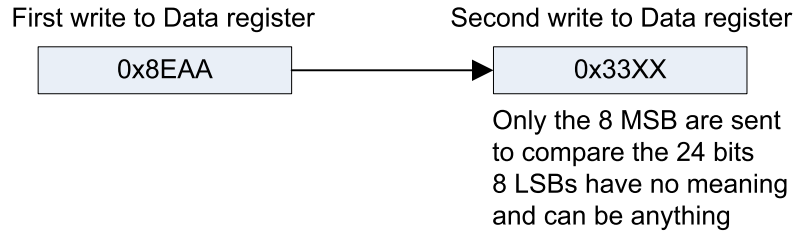
Figure 177. I²S Philips protocol waveforms (16/32-bit full accuracy, CPOL = 0)


Data are latched on the falling edge of CK (for the transmitter) and are read on the rising edge (for the receiver). The WS signal is also latched on the falling edge of CK.

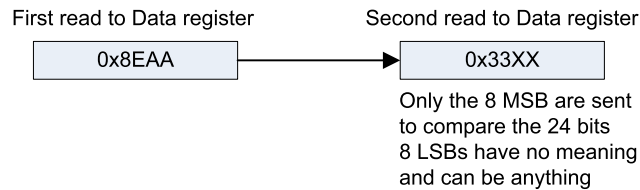
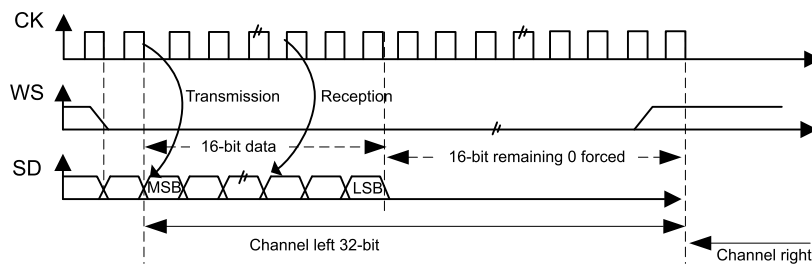
Figure 178. I²S Philips standard waveforms (24-bit frame with CPOL = 0)


This mode needs two write or read operations to/from the SPIx_DR register.

- In transmission mode:
If 0x8EAA33 has to be sent (24-bit):

Figure 179. Transmitting 0x8EAA33


- In reception mode:
If data 0x8EAA33 is received:

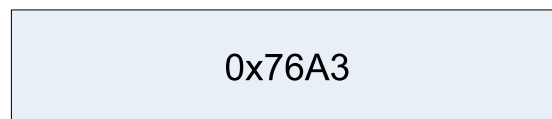
Figure 180. Receiving 0x8EAA33

Figure 181. I²S Philips standard (16-bit extended to 32-bit packet frame with CPOL = 0)


When 16-bit data frame extended to 32-bit channel frame is selected during the I²S configuration phase, only one access to the SPIx_DR register is required. The 16 remaining bits are forced by hardware to 0x0000 to extend the data to 32-bit format.

If the data to transmit or the received data are 0x76A3 (0x76A30000 extended to 32-bit), the operation shown in Figure 182. Example of 16-bit data frame extended to 32-bit channel frame is required.

Figure 182. Example of 16-bit data frame extended to 32-bit channel frame

Only one access to SPIx_DR



For transmission, each time an MSB is written to SPIx_DR, the TXE flag is set and its interrupt, if allowed, is generated to load the SPIx_DR register with the new value to send. This takes place even if 0x0000 have not yet been sent because it is done by hardware.

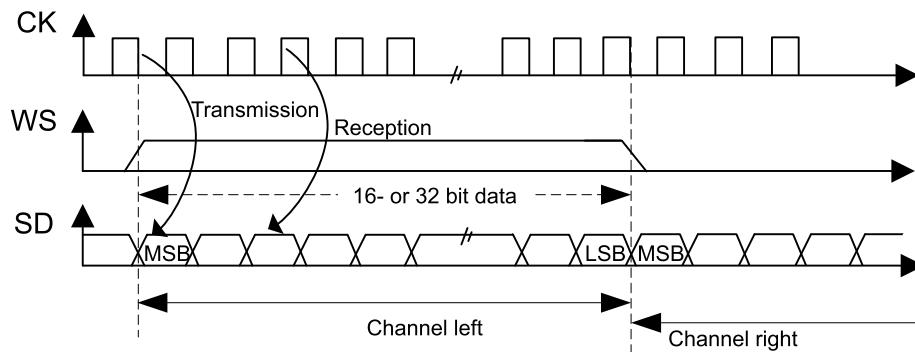
For reception, the RXNE flag is set and its interrupt, if allowed, is generated when the first 16 MSB half-word is received.

In this way, more time is provided between two write or read operations, which prevents underrun or overrun conditions (depending on the direction of the data transfer).

MSB justified standard

For this standard, the WS signal is generated at the same time as the first data bit, which is the MSB.

Figure 183. MSB justified 16-bit or 32-bit full-accuracy length with CPOL = 0



Data are latched on the falling edge of CK (for transmitter) and are read on the rising edge (for the receiver).

Figure 184. MSB justified 24-bit frame length with CPOL = 0

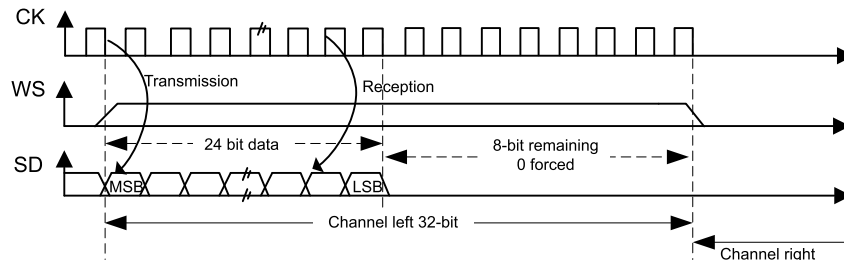
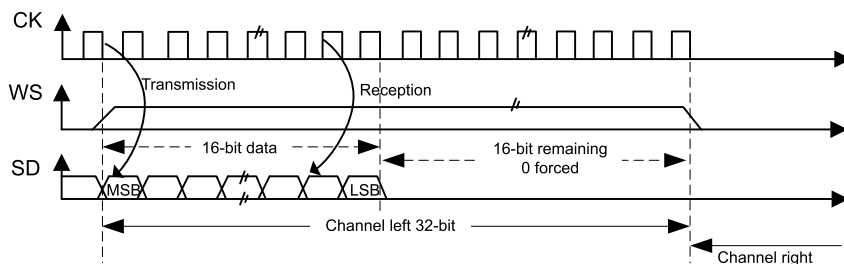
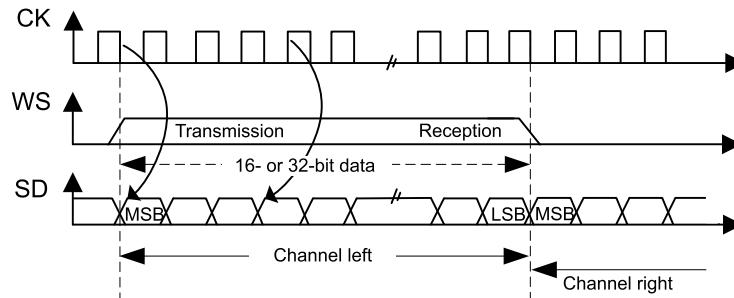
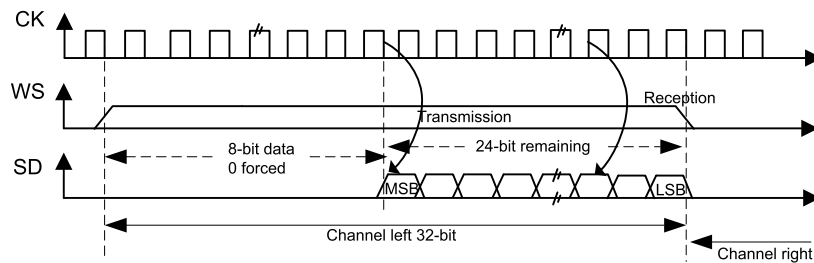


Figure 185. MSB justified 16-bit extended to 32-bit packet frame with CPOL = 0



LSB justified standard

This standard is similar to the MSB justified standard (no difference for the 16-bit and 32-bit full-accuracy frame formats).

Figure 186. LSB justified 16-bit or 32-bit full-accuracy length with CPOL = 0

Figure 187. LSB justified 24-bit frame length with CPOL = 0


MS30104V1

- In transmission mode:
If data 0x3478AE has to be transmitted, two write operations to the SPIx_DR register are required by software or by DMA. The operations are shown below.

Figure 188. Operations required to transmit 0x3478AE

First write to Data register
conditioned by TXE=1

0xXX34

Only the 8 LSB of the
half-word are significant.
A field of 0x00 is forced
instead of the 8 MSBs.

Second write to Data register
conditioned by TXE=1

0x78AE

- In reception mode:
If data 0x3478AE are received, two successive read operations from the SPIx_DR register are required on each RXNE event.

Figure 189. Operations required to receive 0x3478AE

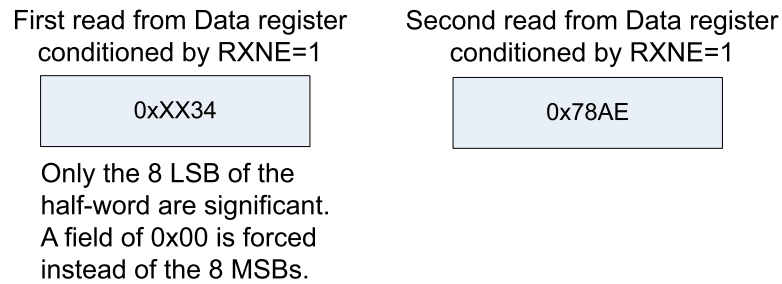
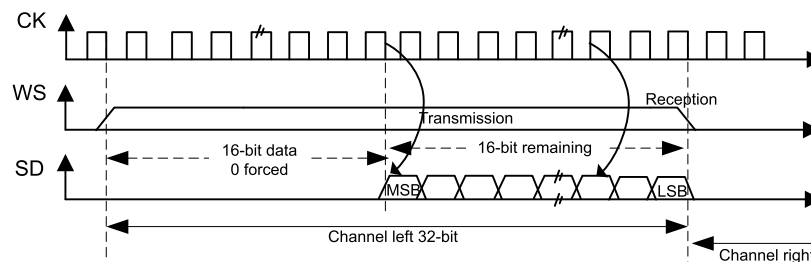


Figure 190. LSB justified 16-bit extended to 32-bit packet frame with CPOL = 0

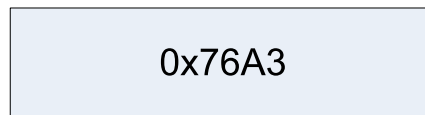


When 16-bit data frame extended to 32-bit channel frame is selected during the I²S configuration phase. Only one access to the SPIx_DR register is required. The 16 remaining bits are forced by hardware to 0x0000 to extend the data to 32-bit format. In this case it corresponds to the half-word MSB.

If the data to transmit or the received data are 0x76A3 (0x0000 76A3 extended to 32-bit), the operation shown in Figure 191. Example of 16-bit data frame extended to 32-bit channel frame (2) is required.

Figure 191. Example of 16-bit data frame extended to 32-bit channel frame (2)

Only one access to the SPIx-DR register

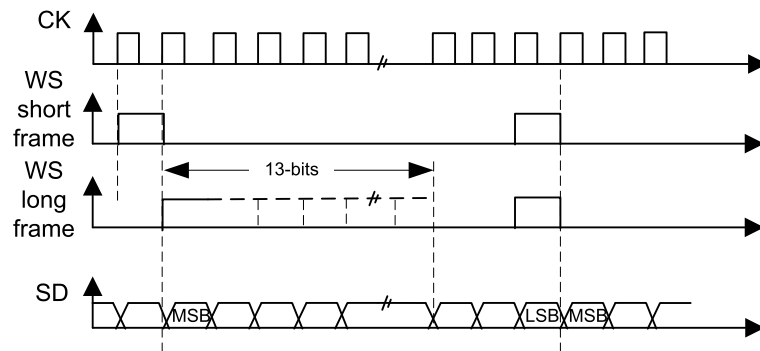


In transmission mode, when a TXE event occurs, the application has to write the data to be transmitted (in this case 0x76A3). The 0x000 field is transmitted first (extension on 32-bit). The TXE flag is set again as soon as the effective data (0x76A3) is sent on SD.

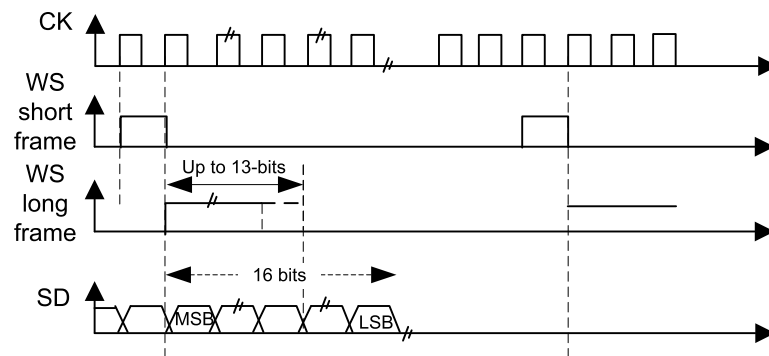
In reception mode, RXNE is asserted as soon as the significant half-word is received (and not the 0x0000 field). In this way, more time is provided between two write or read operations to prevent underrun or overrun conditions.

PCM standard

For the PCM standard, there is no need to use channel-side information. The two PCM modes (short and long frame) are available and configurable using the PCMSYNC bit in the SPIx_I2SCFGR register.

Figure 192. PCM standard waveforms (16-bit)


For long frame synchronization, the WS signal assertion time is fixed to 13 bits in master mode. For short frame synchronization, the WS synchronization signal is only one cycle long.

Figure 193. PCM standard waveforms (16-bit extended to 32-bit packet frame)


Note: For both modes (master and slave) and for both synchronizations (short and long), the number of bits between two consecutive pieces of data (and so two synchronization signals) needs to be specified (DATLEN and CHLEN bits in the SPIx_I2SCFGR register) even in slave mode.

24.7.3 Clock generator

The I²S bitrate determines the dataflow on the I²S data line and the I²S clock signal frequency.

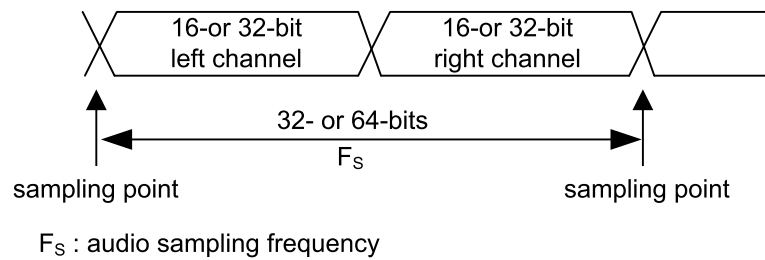
I²S bitrate = number of bits per channel × number of channels × sampling audio frequency.

The I²S bitrate, left and right channel, is calculated as follows:

I²S bitrate = $16 \times 2 \times f_s$ for a 16-bit audio

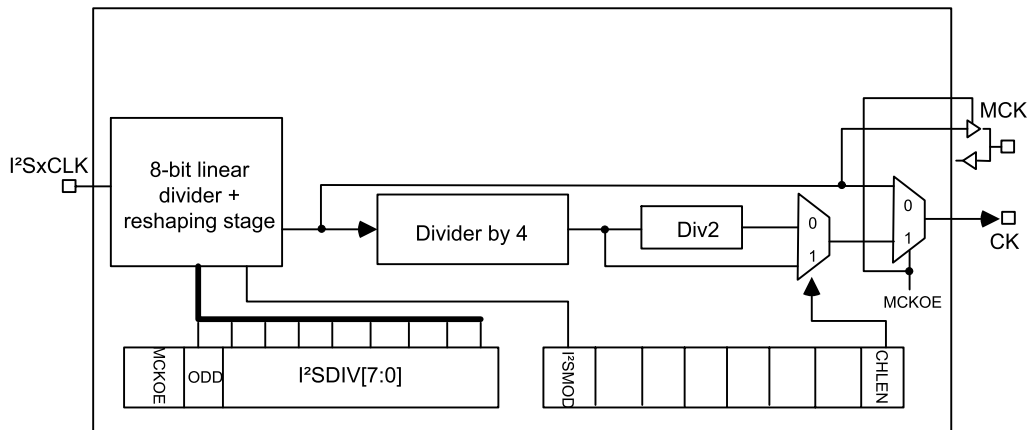
I²S bitrate = $32 \times 2 \times f_s$ for a 32-bit audio.

Figure 194. Audio sampling frequency definition



When the master mode is configured, a specific action needs to be taken to properly program the linear divider in order to communicate with the desired audio frequency.

Figure 195. I²S clock generator architecture



where x can be 2 or 3.

Figure 195. I²S clock generator architecture presents the communication clock architecture. The I²Sx clock is always a 32 MHz frequency clock.

Caution: In addition, it is mandatory to keep I2SxCLK frequency higher or equal to the APB clock used by the SPI/I2S block. If this condition is not respected, SPI/I2S does not work.

The audio sampling frequency may be 192 kHz, 96 kHz, 48 kHz, 44.1 kHz, 32 kHz, 22.05 kHz, 16 kHz, 11.025 kHz or 8 kHz (or any other value within this range). In order to reach the desired frequency, the linear divider needs to be programmed according to the formulas below:

When the master clock is generated (MCKOE in the SPIx_I2SPR register is set):

$$f_s = I2SxCLK / [256 * ((2 * I2SDIV) + ODD)] \text{ whatever the channel frame width (16-bit wide or 32-bit wide).}$$

When the master clock is disabled (MCKOE bit cleared):

$$f_s = I2SxCLK / [(16 * 2) * ((2 * I2SDIV) + ODD)] \text{ when the channel frame is 16-bit wide.}$$

$$f_s = I2SxCLK / [(32 * 2) * ((2 * I2SDIV) + ODD)] \text{ when the channel frame is 32-bit wide.}$$

Table 112. Audio frequency precision using I2SCLK = 32 MHz provides example precision values for different clock configurations.

Note: Other configurations are possible that allow optimum clock precision.

Table 111. Audio frequency precision using I2SCLK = 64 MHz

| I2SCLK (MHz) | Data length | I2SDIV | I2SOOD | MCK | Target fs (Hz) | Real fs (KHz) | Error |
|--------------|-------------|--------|--------|-----|----------------|---------------|---------|
| 64 | 16 | 5 | 0 | No | 192000 | 200000 | 4.1667% |
| 64 | 32 | 2 | 1 | No | 192000 | 200000 | 4.1667% |
| 64 | 16 | 10 | 1 | No | 96000 | 95238.1 | 0.7936% |
| 64 | 32 | 5 | 0 | No | 96000 | 100000 | 4.167% |
| 64 | 16 | 22 | 1 | No | 44100 | 44444.44 | 0.7811% |
| 64 | 32 | 11 | 1 | No | 44100 | 43478.26 | 1.4098% |
| 64 | 16 | 31 | 1 | No | 32000 | 31746.03 | 0.7937% |
| 64 | 32 | 15 | 1 | No | 32000 | 32258.06 | 0.8065% |
| 64 | 16 | 45 | 1 | No | 22050 | 21978.02 | 0.3264% |
| 64 | 32 | 22 | 1 | No | 22050 | 22222.22 | 0.7811% |
| 64 | 16 | 62 | 1 | No | 16000 | 160000 | 0% |
| 64 | 32 | 31 | 1 | No | 16000 | 15873.032 | 0.7937% |
| 64 | 16 | 90 | 1 | No | 11025 | 11049.72 | 0.2243% |
| 64 | 32 | 45 | 1 | No | 11025 | 10989.01 | 0.3264% |
| 64 | 16 | 125 | 0 | No | 8000 | 8000 | 0% |
| 64 | 32 | 62 | 1 | No | 8000 | 8000 | 0% |
| 64 | 16 | 2 | 1 | Yes | 48000 | 50000 | 4.1667% |
| 64 | 32 | 2 | 1 | Yes | 48000 | 50000 | 4.1667% |
| 64 | 16 | 3 | 0 | Yes | 44100 | 41666.667 | 5.5178% |
| 64 | 32 | 3 | 0 | Yes | 44100 | 41666.667 | 5.5178% |
| 64 | 16 | 4 | 0 | Yes | 32000 | 31250 | 2.3438% |
| 64 | 32 | 4 | 0 | Yes | 32000 | 31250 | 2.3438% |
| 64 | 16 | 5 | 1 | Yes | 22050 | 22727.27 | 3.0175% |
| 64 | 32 | 5 | 1 | Yes | 22050 | 22727.27 | 3.0175% |
| 64 | 16 | 8 | 0 | Yes | 16000 | 15625 | 2.3438% |
| 64 | 32 | 8 | 0 | Yes | 16000 | 15625 | 2.3438% |
| 64 | 16 | 11 | 1 | Yes | 11025 | 10869.57 | 1.4098% |
| 64 | 32 | 11 | 1 | Yes | 11025 | 10869.57 | 1.4098% |
| 64 | 16 | 15 | 1 | Yes | 8000 | 8064.516 | 0.8065% |
| 64 | 32 | 15 | 1 | Yes | 8000 | 8064.516 | 0.8065% |

Table 112. Audio frequency precision using I2SCLK = 32 MHz

| I2SCLK (MHz) | Data length | I2SDIV | I2SOOD | MCK | Target fs (Hz) | Real fs (Hz) | Error |
|--------------|-------------|--------|--------|-----|----------------|--------------|---------|
| 32 | 16 | 5 | 0 | No | 96000 | 100000 | 4.1667% |
| 32 | 32 | 2 | 1 | No | 96000 | 100000 | 4.1667% |
| 32 | 16 | 10 | 1 | No | 48000 | 47619.0476 | 0.7936% |
| 32 | 32 | 5 | 0 | No | 48000 | 50000 | 4.167% |
| 32 | 16 | 11 | 1 | No | 44100 | 43478.261 | 1.410% |
| 32 | 32 | 8 | 1 | No | 44100 | 45454.545 | 3.0715% |

| I2SCLK (MHz) | Data length | I2SDIV | I2SODD | MCK | Target fs (Hz) | Real fs (Hz) | Error |
|--------------|-------------|--------|--------|-----|----------------|--------------|---------|
| 32 | 16 | 15 | 1 | No | 32000 | 32258.0645 | 0.806% |
| 32 | 32 | 8 | 0 | No | 32000 | 31250 | 2.344% |
| 32 | 16 | 22 | 1 | No | 22050 | 22222.22 | 0.781% |
| 32 | 32 | 11 | 1 | No | 22050 | 21739.1304 | 1.410% |
| 32 | 16 | 31 | 1 | No | 16000 | 15873.0159 | 0.794% |
| 32 | 32 | 15 | 1 | No | 16000 | 16129.032 | 0.806% |
| 32 | 16 | 45 | 1 | No | 11025 | 10989.011 | 0.326% |
| 32 | 32 | 22 | 1 | No | 11025 | 11111.111 | 0.781% |
| 32 | 16 | 62 | 1 | No | 8000 | 8000 | 0% |
| 32 | 32 | 47 | 0 | No | 8000 | 7936.508 | 0.794% |
| 32 | 16 | 1 | 1 | Yes | 48000 | 41666.667 | 13.194% |
| 32 | 32 | 1 | 1 | Yes | 48000 | 41666.667 | 13.194% |
| 32 | 16 | 1 | 1 | Yes | 44100 | 41666.667 | 5.518% |
| 32 | 32 | 1 | 1 | Yes | 44100 | 41666.667 | 5.518% |
| 32 | 16 | 2 | 0 | Yes | 32000 | 31250 | 2.3438% |
| 32 | 32 | 2 | 0 | Yes | 32000 | 31250 | 2.3438% |
| 32 | 16 | 3 | 0 | Yes | 22050 | 20833.333 | 5.5178% |
| 32 | 32 | 3 | 0 | Yes | 22050 | 20833.333 | 5.5178% |
| 32 | 16 | 4 | 0 | Yes | 16000 | 15625 | 2.3438% |
| 32 | 32 | 4 | 0 | Yes | 16000 | 15625 | 2.3438% |
| 32 | 16 | 5 | 1 | Yes | 11025 | 11363.6364 | 3.0715% |
| 32 | 32 | 5 | 1 | Yes | 11025 | 11363.6364 | 3.0715% |
| 32 | 16 | 8 | 0 | Yes | 8000 | 7812.5 | 2.344% |
| 32 | 32 | 8 | 0 | Yes | 8000 | 7812.5 | 2.344% |

Table 113. Audio frequency precision using I2SCLK = 16 MHz

| I2SCLK (MHz) | Data length | I2SDIV | I2SODD | MCK | Target fs (Hz) | Real fs (Hz) | Error |
|--------------|-------------|--------|--------|-----|----------------|--------------|---------|
| 16 | 16 | 2 | 1 | No | 96000 | 100000 | 4.1667% |
| 16 | 32 | 2 | 0 | No | 96000 | 62500 | 34.890% |
| 16 | 16 | 4 | 1 | No | 48000 | 50000 | 4.167% |
| 16 | 32 | 2 | 1 | No | 48000 | 50000 | 4.167% |
| 16 | 16 | 5 | 1 | No | 44100 | 45454.545 | 3.0715% |
| 16 | 32 | 3 | 0 | No | 44100 | 41666.67 | 5.518% |
| 16 | 16 | 8 | 0 | No | 32000 | 31250 | 2.344% |
| 16 | 32 | 4 | 0 | No | 32000 | 31250 | 2.344% |
| 16 | 16 | 11 | 1 | No | 22050 | 21739.13 | 1.410% |
| 16 | 32 | 5 | 1 | No | 22050 | 22727.27 | 3.071% |
| 16 | 16 | 15 | 1 | No | 16000 | 16129.032 | 0.806% |
| 16 | 32 | 15 | 1 | No | 16000 | 15625 | 2.344% |
| 16 | 16 | 22 | 1 | No | 11025 | 11111.111 | 0.781% |
| 16 | 32 | 11 | 1 | No | 11025 | 10869.57 | 1.409% |
| 16 | 16 | 31 | 1 | No | 8000 | 7936.51 | 0.794% |
| 16 | 32 | 15 | 1 | No | 8000 | 8064.52 | 0.806% |
| 16 | 16 | N/A | N/A | Yes | 48000 | N/A | |
| 16 | 32 | N/A | N/A | Yes | 48000 | N/A | |
| 16 | 16 | N/A | N/A | Yes | 44100 | N/A | |
| 16 | 32 | N/A | N/A | Yes | 44100 | N/A | |
| 16 | 16 | N/A | N/A | Yes | 32000 | N/A | |
| 16 | 32 | N/A | N/A | Yes | 32000 | N/A | |
| 16 | 16 | 3 | 0 | Yes | 22050 | N/A | |
| 16 | 32 | 3 | 0 | Yes | 22050 | N/A | |
| 16 | 16 | 2 | 0 | Yes | 16000 | 15625 | 2.3438% |
| 16 | 32 | 2 | 0 | Yes | 16000 | 15625 | 2.3438% |
| 16 | 16 | 3 | 0 | Yes | 11025 | 10416.67 | 5.518% |
| 16 | 32 | 3 | 0 | Yes | 11025 | 10416.67 | 5.518% |
| 16 | 16 | 4 | 0 | Yes | 8000 | 7812.5 | 2.344% |
| 16 | 32 | 4 | 0 | Yes | 8000 | 7812.5 | 2.344% |

24.7.4 I2S master mode

The I²S can be configured in master mode. This means that the serial clock is generated on the CK pin as well as the word select signal WS. Master clock (MCK) may be output or not, controlled by the MCKOE bit in the SPIx_I2SPR register.

Procedure

1. Select the I2SDIV[7:0] bits in the SPIx_I2SPR register to define the serial clock baud rate to reach the proper audio sample frequency. The ODD bit in the SPIx_I2SPR register also has to be defined.
2. Select the CKPOL bit to define the steady level for the communication clock. Set the MCKOE bit in the SPIx_I2SPR register if the master clock MCK needs to be provided to the external DAC/ADC audio component (the I2SDIV and ODD values should be computed depending on the state of the MCK output, for more details refer to [Section 24.7.3: Clock generator](#)).

3. Set the I2SMOD bit in the SPIx_I2SCFGR register to activate the I²S functions and choose the I²S standard through the I2SSTD[1:0] and PCMSYNC bits, the data length through the DATLEN[1:0] bits and the number of bits per channel by configuring the CHLEN bit. Select also the I²S master mode and direction (transmitter or receiver) through the I2SCFG[1:0] bits in the SPIx_I2SCFGR register.
4. If needed, select all the potential interrupt sources and the DMA capabilities by writing the SPIx_CR2 register.
5. The I2SE bit in the SPIx_I2SCFGR register must be set.

WS and CK are configured in output mode. MCK is also an output, if the MCKOE bit in SPIx_I2SPR is set.

Transmission sequence

The transmission sequence begins when a half-word is written into the Tx buffer.

Let us assume the first data written into the Tx buffer corresponds to the left channel data. When data are transferred from the Tx buffer to the shift register, TXE is set and data corresponding to the right channel have to be written into the Tx buffer. The CHSIDE flag indicates which channel is to be transmitted. It has a meaning when the TXE flag is set because the CHSIDE flag is updated when TXE goes high.

A full frame has to be considered as a left channel data transmission followed by a right channel data transmission. It is not possible to have a partial frame where only the left channel is sent.

The data half-word is parallel loaded into the 16-bit shift register during the first bit transmission, and then shifted out, serially, to the MOSI/SD pin, MSB first. The TXE flag is set after each transfer from the Tx buffer to the shift register and an interrupt is generated if the TXEIE bit in the SPIx_CR2 register is set.

For more details about the write operations depending on the I²S standard mode selected, refer to [Section 24.7.2: Supported audio protocols](#).

To ensure a continuous audio data transmission, it is mandatory to write the SPIx_DR register with the next data to transmit before the end of the current transmission.

To switch off the I²S, by clearing I2SE, it is mandatory to wait for TXE = 1 and BSY = 0.

Reception sequence

The operating mode is the same as for transmission mode except for point 3 (refer to **procedure** topic, here in this section), where the configuration should set the master reception mode through the I2SCFG[1:0] bits.

Whatever the data or channel length, the audio data are received by 16-bit packets. This means that each time the Rx buffer is full, the RXNE flag is set and an interrupt is generated if the RXNEIE bit is set in the SPIx_CR2 register. Depending on the data and channel length configuration, the audio value received for a right or left channel may result from one or two receptions into the Rx buffer.

Clearing the RXNE bit is performed by reading the SPIx_DR register.

CHSIDE is updated after each reception. It is sensitive to the WS signal generated by the I²S cell.

For more details about the read operations depending on the I²S standard mode selected, refer to [Section 24.7.2: Supported audio protocols](#).

If data is received while the previously received data have not been read yet, an overrun is generated and the OVR flag is set. If the ERRIE bit is set in the SPIx_CR2 register, an interrupt is generated to indicate the error.

To switch off the I²S, specific actions are required to ensure that the I²S completes the transfer cycle properly without initiating a new data transfer. The sequence depends on the configuration of the data and channel lengths, and on the audio protocol mode selected. In the case of:

- 16-bit data length extended on 32-bit channel length (DATLEN = 00 and CHLEN = 1) using the LSB justified mode (I2SSTD = 10)
 1. Wait for the second to last RXNE = 1 ($n - 1$)
 2. Then wait 17 I²S clock cycles (using a software loop)
 3. Disable the I²S (I2SE=0)
- 16-bit data length extended on 32-bit channel length (DATLEN = 00 and CHLEN = 1) in MSB justified, I²S or PCM modes (I2SSTD = 00, I2SSTD = 01 or I2SSTD = 11, respectively)
 1. Wait for the last RXNE
 2. Then wait 1 I²S clock cycle (using a software loop)
 3. Disable the I²S (I2SE=0)

- For all other combinations of DATLEN and CHLEN, whatever the audio mode selected through the I²S STD bits, carry out the following sequence to switch off the I²S:
 1. Wait for the second to last RXNE = 1 (n – 1)
 2. Then wait one I²S clock cycle (using a software loop)
 3. Disable the I²S (I2SE = 0)

Note: The BSY flag is kept low during transfers.

24.7.5 I2S slave mode

For the slave configuration, the I²S can be configured in transmission or reception mode. The operating mode is following mainly the same rules as described for the I²S master configuration. In slave mode, there is no clock to be generated by the I²S interface. The clock and WS signals are input from the external master connected to the I²S interface. There is then no need, for the user, to configure the clock.

The configuration steps to follow are listed below:

1. Set the I2SMOD bit in the SPIx_I2SCFGR register to select I²S mode and choose the I²S standard through the I2SSTD[1:0] bits, the data length through the DATLEN[1:0] bits and the number of bits per channel for the frame configuring the CHLEN bit. Select also the mode (transmission or reception) for the slave through the I2SCFG[1:0] bits in the SPIx_I2SCFGR register.
2. If needed, select all the potential interrupt sources and the DMA capabilities by writing the SPIx_CR2 register.
3. The I2SE bit in the SPIx_I2SCFGR register must be set.

Transmission sequence

The transmission sequence begins when the external master device sends the clock and when the NSS_WS signal requests the transfer of data. The slave has to be enabled before the external master starts the communication. The I²S data register has to be loaded before the master initiates the communication.

For the I²S, MSB justified and LSB justified modes, the first data item to be written into the data register corresponds to the data for the left channel. When the communication starts, the data are transferred from the Tx buffer to the shift register. The TXE flag is then set in order to request the right channel data to be written into the I²S data register.

The CHSIDE flag indicates which channel is to be transmitted. Compared to the master transmission mode, in slave mode, CHSIDE is sensitive to the WS signal coming from the external master. This means that the slave needs to be ready to transmit the first data before the clock is generated by the master. WS assertion corresponds to left channel transmitted first.

Note: The I2SE has to be written at least two PCLK cycles before the first clock of the master comes on the CK line.

The data half-word is parallel-loaded into the 16-bit shift register (from the internal bus) during the first bit transmission, and then shifted out serially to the MOSI/SD pin MSB first. The TXE flag is set after each transfer from the Tx buffer to the shift register and an interrupt is generated if the TXEIE bit in the SPIx_CR2 register is set.

Note that the TXE flag should be checked to be at 1 before attempting to write the Tx buffer.

For more details about the write operations depending on the I²S standard mode selected, refer to [Section 24.7.2: Supported audio protocols](#).

To secure a continuous audio data transmission, it is mandatory to write the SPIx_DR register with the next data to transmit before the end of the current transmission. An underrun flag is set and an interrupt may be generated if the data are not written into the SPIx_DR register before the first clock edge of the next data communication. This indicates to the software that the transferred data are wrong. If the ERRIE bit is set into the SPIx_CR2 register, an interrupt is generated when the UDR flag in the SPIx_SR register goes high. In this case, it is mandatory to switch off the I²S and to restart a data transfer starting from the left channel.

To switch off the I²S, by clearing the I2SE bit, it is mandatory to wait for TXE = 1 and BSY = 0.

Reception sequence

The operating mode is the same as for the transmission mode except for point 1, where the configuration should set the slave reception mode using the I2SCFG[1:0] bits in the SPIx_I2SCFGR register.

Whatever the data length or the channel length, the audio data are received by 16-bit packets. This means that each time the RX buffer is full, the RXNE flag in the SPIx_SR register is set and an interrupt is generated if the RXNEIE bit is set in the SPIx_CR2 register. Depending on the data length and channel length configuration, the audio value received for a right or left channel may result from one or two receptions into the RX buffer.

The CHSIDE flag is updated each time data are received to be read from the SPIx_DR register. It is sensitive to the external WS line managed by the external master component.

Clearing the RXNE bit is performed by reading the SPIx_DR register.

For more details about the read operations depending on the I²S standard mode selected, refer to [Section 24.7.2: Supported audio protocols](#).

If data are received while the preceding received data have not yet been read, an overrun is generated and the OVR flag is set. If the bit ERRIE is set in the SPIx_CR2 register, an interrupt is generated to indicate the error.

To switch off the I²S in reception mode, I2SE has to be cleared immediately after receiving the last RXNE = 1.

Note: The external master components should have the capability of sending/receiving data in 16-bit or 32-bit packets via an audio channel.

24.7.6 I2S error flags

There are three error flags for the I²S cell.

Underrun flag (UDR)

In slave transmission mode this flag is set when the first clock for data transmission appears while the software has not yet loaded any value into SPIx_DR. It is available when the I2SMOD bit in the SPIx_I2SCFGR register is set. An interrupt may be generated if the ERRIE bit in the SPIx_CR2 register is set.

The UDR bit is cleared by a read operation on the SPIx_SR register.

Overrun flag (OVR)

This flag is set when data are received and the previous data have not yet been read from the SPIx_DR register. As a result, the incoming data are lost. An interrupt may be generated if the ERRIE bit is set in the SPIx_CR2 register.

In this case, the receive buffer contents are not updated with the newly received data from the transmitter device. A read operation to the SPIx_DR register returns the previous correctly received data. All other subsequently transmitted half-words are lost.

Clearing the OVR bit is done by a read operation on the SPIx_DR register followed by a read access to the SPIx_SR register.

Frame error flag (FRE)

This flag can be set by hardware only if the I²S is configured in slave mode. It is set if the external master is changing the WS line while the slave is not expecting this change. If the synchronization is lost, the following steps are required to recover from this state and resynchronize the external master device with the I²S slave device:

1. Disable the I²S.
2. Enable it again when the correct level is detected on the WS line (WS line is high in I²S mode or low for MSB- or LSB-justified or PCM modes).

Desynchronization between master and slave devices may be due to noisy environment on the SCK communication clock or on the WS frame synchronization line. An error interrupt can be generated if the ERRIE bit is set. The desynchronization flag (FRE) is cleared by software when the status register is read.

24.7.7 DMA features

In I²S mode, the DMA works in exactly the same way as it does in SPI mode. There is no difference except that the CRC feature is not available in I²S mode since there is no data transfer protection system.

24.8 I2S interrupts

Table 114. I²S interrupt request provides the list of I²S interrupts.

Table 114. I²S interrupt request

| Interrupt event | Event flag | Enable control bit |
|-------------------------------|------------|--------------------|
| Transmit buffer empty flag | TXE | TXEIE |
| Receive buffer not empty flag | RXNE | RXNEIE |
| Overrun error | OVR | ERRIE |

| Interrupt event | Event flag | Enable control bit |
|------------------|------------|--------------------|
| Underrun error | UDR | ERRIE |
| Frame error flag | FRE | |

24.9 SPI and I²S registers

The peripheral registers can be accessed by half-words (16-bit) or words (32-bit). SPI_DR, in addition, can be accessed by 8-bit access.

24.9.1 SPI control register 1 (SPIx_CR1)

Address offset: 0x00

Reset value: 0x0000

| 15 | 14 | 13 | 12 | 11 | 10 | 9 | 8 | 7 | 6 | 5 | 4 | 3 | 2 | 1 | 0 |
|-----------|---------|--------|----------|------|---------|-----|-----|-----------|-----|----------|----|----|------|------|------|
| BIDI MODE | BIDI OE | CRC EN | CRC NEXT | CRCL | RX ONLY | SSM | SSI | LSB FIRST | SPE | BR [2:0] | | | MSTR | CPOL | CPHA |
| rw | rw | rw | rw | rw | rw | rw | rw | rw | rw | rw | rw | rw | rw | rw | rw |

| | |
|--------|--|
| Bit 15 | <p>BIDIMODE: Bidirectional data mode enable. This bit enables half-duplex communication using common single bidirectional data line. Keep RXONLY bit clear when bidirectional mode is active.</p> <p>0: 2-line unidirectional data mode selected 1: 1-line bidirectional data mode selected</p> <p>Note: This bit is not used in I²S mode.</p> |
| Bit 14 | <p>BIDIOE: Output enable in bidirectional mode.</p> <p>This bit combined with the BIDIMODE bit selects the direction of transfer in bidirectional mode.</p> <p>0: Output disabled (receive-only mode) 1: Output enabled (transmit-only mode)</p> <p>Note: In master mode, the MOSI pin is used and in slave mode, the MISO pin is used.</p> <p>This bit is not used in I²S mode.</p> |
| Bit 13 | <p>CRCEN: Hardware CRC calculation enable.</p> <p>0: CRC calculation disabled 1: CRC calculation enabled</p> <p>Note: This bit should be written only when SPI is disabled (SPE='0') for correct operation.</p> <p>This bit is not used in I²S mode.</p> |
| Bit 12 | <p>CRCNEXT: Transmit CRC next.</p> <p>0: Next transmit value is from Tx buffer 1: Next transmit value is from Tx CRC register</p> <p>Note: This bit has to be written as soon as the last data is written in the SPIx_DR register.</p> <p>This bit is not used in I²S mode.</p> |
| Bit 11 | <p>CRCL: CRC length.</p> <p>This bit is set and cleared by software to select the CRC length. 0: 8-bit CRC length. 1: 16-bit CRC length</p> <p>Note: This bit should be written only when SPI is disabled (SPE='0') for correct operation.</p> <p>This bit is not used in I²S mode.</p> |
| Bit 10 | <p>RXONLY: Receive-only mode enabled.</p> <p>This bit enables simplex communication using a single unidirectional line to receive data exclusively. Keep BIDIMODE bit clear when receive-only mode is active. This bit is also useful in a multislave system in which this particular slave is not accessed, the output from the accessed slave is not corrupted.</p> |

| | |
|----------|--|
| Bit 10 | <p>0: Full-duplex (transmit and receive) 1: Output disabled (receive-only mode)</p> <p>Note: This bit is not used in I²S mode.</p> |
| Bit 9 | <p>SSM: Software slave management. When the SSM bit is set, the NSS pin input is replaced with the value from the SSI bit.</p> <p>0: Software slave management disabled 1: Software slave management enabled</p> <p>Note: This bit is not used in I²S mode and SPI TI mode.</p> |
| Bit 8 | <p>SSI: Internal slave select.</p> <p>This bit has an effect only when the SSM bit is set. The value of this bit is forced onto the NSS pin and the I/O value of the NSS pin is ignored.</p> <p>Note: This bit is not used in I²S mode and SPI TI mode.</p> |
| Bit 7 | <p>LSBFIRST: Frame format.</p> <p>0: Data is transmitted / received with the MSB first 1: Data is transmitted / received with the LSB first</p> <p>Note: 1. This bit should not be changed when communication is on-going. 2. This bit is not used in I²S mode and SPI TI mode.</p> |
| Bit 6 | <p>SPE: SPI enable.</p> <p>0: Peripheral disabled 1: Peripheral enabled</p> <p>Note: When disabling the SPI, follow the procedure described in procedure for disabling the SPI. This bit is not used in I²S mode.</p> |
| Bits 5:3 | <p>BR[2:0]: Baud rate control.</p> <p>000: $f_{PCLK}/2$ 001: $f_{PCLK}/4$ 010: $f_{PCLK}/8$ 011: $f_{PCLK}/16$ 100: $f_{PCLK}/32$ 101: $f_{PCLK}/64$ 110: $f_{PCLK}/128$ 111: $f_{PCLK}/256$</p> <p>Note: These bits should not be changed when communication is on-going. This bit is not used in I²S mode.</p> |
| Bit 2 | <p>MSTR: Master selection.</p> <p>0: Slave configuration 1: Master configuration</p> <p>Note: This bit should not be changed when communication is on-going. This bit is not used in I²S mode.</p> |
| Bit 1 | <p>CPOL: Clock polarity.</p> <p>0: CK to 0 when idle 1: CK to 1 when idle</p> <p>Note: This bit should not be changed when communication is on-going. This bit is not used in I²S mode and SPI TI mode.</p> |
| Bit 0 | <p>CPHA: Clock phase.</p> |

0: The first clock transition is the first data capture edge

1: The second clock transition is the first data capture edge

Note: This bit should not be changed when communication is on-going.

This bit is not used in I²S mode and SPI TI mode.

24.9.2 SPI control register 2 (SPIx_CR2)

Address offset: 0x04

Reset value: 0x0700

| | | | | | | | | | | | | | | | |
|------|---------|---------|-------|----------|----|----|----|-------|--------|-------|-----|------|------|---------|---------|
| 15 | 14 | 13 | 12 | 11 | 10 | 9 | 8 | 7 | 6 | 5 | 4 | 3 | 2 | 1 | 0 |
| Res. | LDMA_TX | LDMA_RX | FRXTH | DS [3:0] | | | | TXEIE | RXNEIE | ERRIE | FRF | NSSP | SSOE | TXDMAEN | RXDMAEN |
| | rw | rw | rw | rw | rw | rw | rw | rw | rw | rw | rw | rw | rw | rw | rw |

| | |
|----------|--|
| Bit 15 | Reserved, must be kept at reset value. |
| Bit 14 | <p>LDMA_TX: Last DMA transfer for transmission.</p> <p>This bit is used in data packing mode, to define if the total number of data to transmit by DMA is odd or even. It has significance only if the TXDMAEN bit in the SPIx_CR2 register is set and if packing mode is used (data length =< 8-bit and write access to SPIx_DR is 16-bit wide). It has to be written when the SPI is disabled (SPE = 0 in the SPIx_CR1 register).</p> <p>0: Number of data to transfer is even 1: Number of data to transfer is odd</p> <p>Note: Refer to procedure for disabling the SPI if the CRCEN bit is set.</p> <p>This bit is not used in I²S mode.</p> |
| Bit 13 | <p>LDMA_RX: Last DMA transfer for reception.</p> <p>This bit is used in data packing mode, to define if the total number of data to receive by DMA is odd or even. It has significance only if the RXDMAEN bit in the SPIx_CR2 register is set and if packing mode is used (data length =< 8-bit and write access to SPIx_DR is 16-bit wide). It has to be written when the SPI is disabled (SPE = 0 in the SPIx_CR1 register).</p> <p>0: Number of data to transfer is even 1: Number of data to transfer is odd</p> <p>Note: Refer to Procedure for disabling the SPI, if the CRCEN bit is set.</p> <p>This bit is not used in I²S mode.</p> |
| Bit 12 | <p>FRXTH: FIFO reception threshold.</p> <p>FRXTH is set according the read access (16-bit or 8-bit) to the FIFO.</p> <p>This bit is used to set the threshold of the RXFIFO that triggers an RXNE event.</p> <p>0: RXNE event is generated if the FIFO level is greater than or equal to 1/2 (16-bit) 1: RXNE event is generated if the FIFO level is greater than or equal to 1/4 (8-bit)</p> <p>Note: This bit is not used in I²S mode.</p> |
| Bit 11:8 | <p>DS [3:0]: Data size.</p> <p>These bits configure the data length for SPI transfers:</p> <p>0000: Not used 0001: Not used 0010: Not used 0011: 4-bit 0100: 5-bit 0101: 6-bit 0110: 7-bit 0111: 8-bit 1000: 9-bit 1001: 10-bit 1010: 11-bit</p> |

| | |
|-------|---|
| | 1011: 12-bit 1100: 13-bit 1101: 14-bit 1110: 15-bit 1111: 16-bit If software attempts to write one of the "Not used" values, they are forced to the value "0111"(8-bit). |
| | Note: This bit is not used in I ² S mode. |
| Bit 7 | TXEIE: Tx buffer empty interrupt enable. 0: TXE interrupt masked 1: TXE interrupt not masked. Used to generate an interrupt request when the TXE flag is set. |
| Bit 6 | RXNEIE: RX buffer not empty interrupt enable. 0: RXNE interrupt masked 1: RXNE interrupt not masked. Used to generate an interrupt request when the RXNE flag is set. |
| Bit 5 | ERRIE: Error interrupt enable. This bit controls the generation of an interrupt when an error condition occurs (CRCERR, OVR, MODF in SPI mode, FRE at TI mode and UDR, OVR, and FRE in I ² S mode). 0: Error interrupt is masked 1: Error interrupt is enabled |
| Bit 4 | FRF: Frame format. 0: SPI Motorola mode 1: SPI TI mode Note: This bit must be written only when the SPI is disabled (SPE=0). This bit is not used in I ² S mode. |
| Bit 3 | NSSP: NSS pulse management. This bit is used in master mode only. It allows the SPI to generate an NSS pulse between two consecutive data when doing continuous transfers. In the case of a single data transfer, it forces the NSS pin high level after the transfer. It has no meaning if CPHA='1', or FRF='1'. 0: No NSS pulse 1: NSS pulse generated Note: 1. This bit must be written only when the SPI is disabled (SPE=0). 2. This bit is not used in I ² S mode and SPI TI mode. |
| Bit 2 | SSOE: SS output enable. 0: SS output is disabled in master mode and the SPI interface can work in multimaster configuration 1: SS output is enabled in master mode and when the SPI interface is enabled. The SPI interface cannot work in a multimaster environment. Note: This bit is not used in I ² S mode and SPI TI mode. |
| Bit 1 | TXDMAEN: Tx buffer DMA enable. When this bit is set, a DMA request is generated whenever the TXE flag is set. 0: Tx buffer DMA disabled 1: Tx buffer DMA enabled |
| Bit 0 | RXDMAEN: Rx buffer DMA enable. When this bit is set, a DMA request is generated whenever the RXNE flag is set. 0: Rx buffer DMA disabled 1: Rx buffer DMA enabled |

24.9.3 SPI status register (SPIx_SR)

Address offset: 0x08

Reset value: 0x0002

| | | | | | | | | | | | | | | | |
|------|------|------|------------|----|------------|---|-----|-----|-----|------|---------|-----|--------|-----|------|
| 15 | 14 | 13 | 12 | 11 | 10 | 9 | 8 | 7 | 6 | 5 | 4 | 3 | 2 | 1 | 0 |
| Res. | Res. | Res. | FTLVL[1:0] | | FRLVL[2:0] | | FRE | BSY | OVR | MODF | CRC ERR | UDR | CHSIDE | TXE | RXNE |
| | | | r | r | r | r | r | r | r | r | rc_w0 | r | r | r | r |

| | |
|------------|--|
| Bits 15:13 | Reserved, must be kept at reset value. |
| Bits 12:11 | <p>FTLVL[1:0]: FIFO transmission level. These bits are set and cleared by hardware.</p> <p>00: FIFO empty</p> <p>01: 1/4 FIFO</p> <p>10: 1/2 FIFO</p> <p>11: FIFO full (considered as FULL when the FIFO threshold is greater than 1/2)</p> <p>Note: These bits are not used in I²S mode.</p> |
| Bits 10:9 | <p>FRLVL[1:0]: FIFO reception level. These bits are set and cleared by hardware.</p> <p>00: FIFO empty</p> <p>01: 1/4 FIFO</p> <p>10: 1/2 FIFO</p> <p>11: FIFO full</p> <p>Note: These bits are not used in I²S mode and in SPI receive-only mode while CRC calculation is enabled.</p> |
| Bits 8 | <p>FRE: Frame format error.</p> <p>This flag is used for SPI in TI slave mode and I²S slave mode. Refer to Section 24.5.10: SPI error flags and Section 24.7.6: I2S error flags.</p> <p>This flag is set by hardware and reset when SPIx_SR is read by software.</p> <p>0: No frame format error</p> <p>1: A frame format error occurred</p> |
| Bit 7 | <p>BSY: Busy flag.</p> <p>0: SPI (or I²S) not busy</p> <p>1: SPI (or I²S) is busy in communication or Tx buffer is not empty. This flag is set and cleared by hardware.</p> <p>Note: The BSY flag must be used with caution: refer to Section 24.5.9: SPI status flags.</p> |
| Bit 6 | <p>OVR: Overrun flag.</p> <p>0: No overrun occurred</p> <p>1: Overrun occurred</p> <p>This flag is set by hardware and reset by a software sequence. Refer to Section 24.7.6: I2S error flags for the software sequence.</p> |
| Bit 5 | <p>MODF: Mode fault</p> <p>0: No mode fault occurred</p> <p>1: Mode fault occurred</p> <p>This flag is set by hardware and reset by a software sequence.</p> |
| Bit 4 | <p>CRCERR: CRC error flag.</p> <p>0: CRC value received matches the SPIx_RXCRCR value</p> <p>1: CRC value received does not match the SPIx_RXCRCR value</p> <p>This flag is set by hardware and cleared by software writing 0.</p> |

| | |
|-------|---|
| Bit 3 | <p>UDR: Underrun flag.</p> <p>0: No underrun occurred</p> <p>1: Underrun occurred</p> <p>This flag is set by hardware and reset by a software sequence. Refer to Section 24.7.6: I2S error flags for the software sequence.</p> <p>Note: This bit is not used in SPI mode.</p> |
| Bit 2 | <p>CHSIDE: Channel side.</p> <p>0: Channel left has to be transmitted or has been received</p> <p>1: Channel right has to be transmitted or has been received</p> <p>Note: This bit is not used in SPI mode. It has no significance in PCM mode.</p> |
| Bit 1 | <p>TXE: Transmit buffer empty</p> <p>0: No more empty space in Tx buffer (software shall not write data to the Tx buffer).</p> <p>1: At least one empty space in Tx buffer (software may write data to the Tx buffer).</p> |
| Bit 0 | <p>RXNE: Receive buffer not empty</p> <p>0: Rx buffer empty</p> <p>1: Rx buffer not empty</p> |

24.9.4 SPI data register (SPIx_DR)

Address offset: 0x0C

Reset value: 0x0000

| | | | | | | | | | | | | | | | |
|----------|----|----|----|----|----|----|----|----|----|----|----|----|----|----|----|
| 15 | 14 | 13 | 12 | 11 | 10 | 9 | 8 | 7 | 6 | 5 | 4 | 3 | 2 | 1 | 0 |
| DR[15:0] | | | | | | | | | | | | | | | |
| rw | rw | rw | rw | rw | rw | rw | rw | rw | rw | rw | rw | rw | rw | rw | rw |

| | |
|--------------|---|
| Bits 15:0 | <p>DR[15:0]: Data register. Data received or to be transmitted.</p> <p>The data register serves as an interface between the Rx and Tx FIFOs. When the data register is read, RxFIFO is accessed while the write to data register accesses TxFIFO (see Section 24.5.8: Data transmission and reception procedures).</p> <p>Note: Data is always right-aligned. Unused bits are ignored when writing to the register, and read as zero when the register is read. The Rx threshold setting must always correspond with the read access currently used.</p> |
|--------------|---|

24.9.5 SPI CRC polynomial register (SPIx_CRCPR)

Address offset: 0x10

Reset value: 0x0007

| | | | | | | | | | | | | | | | |
|---------------|----|----|----|----|----|----|----|----|----|----|----|----|----|----|----|
| 15 | 14 | 13 | 12 | 11 | 10 | 9 | 8 | 7 | 6 | 5 | 4 | 3 | 2 | 1 | 0 |
| CRCPOLY[15:0] | | | | | | | | | | | | | | | |
| rw | rw | rw | rw | rw | rw | rw | rw | rw | rw | rw | rw | rw | rw | rw | rw |

| | |
|--|---|
| | CRCPOLY[15:0]: CRC polynomial register. Bits 15:0 This register contains the polynomial for the CRC calculation. The CRC polynomial (0007h) is the reset value of this register. Another polynomial can be configured as required. |
|--|---|

Note: The polynomial value should be odd only. No even value is supported.

24.9.6 SPI Rx CRC register (SPIx_RXCRCR)

Address offset: 0x14

Reset value: 0x0000

| | | | | | | | | | | | | | | | |
|-------------|----|----|----|----|----|---|---|---|---|---|---|---|---|---|---|
| 15 | 14 | 13 | 12 | 11 | 10 | 9 | 8 | 7 | 6 | 5 | 4 | 3 | 2 | 1 | 0 |
| RxCRC[15:0] | | | | | | | | | | | | | | | |
| r | r | r | r | r | r | r | r | r | r | r | r | r | r | r | r |

| | |
|--------------|--|
| Bits 15:0 | <p>RXCRC[15:0]: Rx CRC register.</p> <p>When CRC calculation is enabled, the RxCRC[15:0] bits contain the computed CRC value of the subsequently received bytes. This register is reset when the CRCEN bit in SPIx_CR1 register is written to 1. The CRC is calculated serially using the polynomial programmed in the SPIx_CRCPR register.</p> <p>Only the 8 LSB bits are considered when the data frame format is set to be 8-bit data (CRCL bit in the SPIx_CR1 is cleared). CRC calculation is done based on any CRC8 standard.</p> <p>The entire 16-bits of this register are considered when a 16-bit data frame format is selected (CRCL bit in the SPIx_CR1 register is set). CRC calculation is done based on any CRC16 standard.</p> <p>A read to this register when the BSY flag is set could return an incorrect value.</p> |
|--------------|--|

24.9.7 SPI Tx CRC register (SPIx_TXCRCR)

Address offset: 0x18

Reset value: 0x0000

| | | | | | | | | | | | | | | | |
|-------------|----|----|----|----|----|---|---|---|---|---|---|---|---|---|---|
| 15 | 14 | 13 | 12 | 11 | 10 | 9 | 8 | 7 | 6 | 5 | 4 | 3 | 2 | 1 | 0 |
| TxCRC[15:0] | | | | | | | | | | | | | | | |
| r | r | r | r | r | r | r | r | r | r | r | r | r | r | r | r |

| | |
|-----------|---|
| | <p>TxCRC[15:0]: Tx CRC register.</p> <p>When CRC calculation is enabled, the TxCRC[7:0] bits contain the computed CRC value of the subsequently transmitted bytes. This register is reset when the CRCEN bit of SPIx_CR1 is written to 1. The CRC is calculated serially using the polynomial programmed in the SPIx_CRCPR register.</p> |
| Bits 15:0 | <p>Only the 8 LSB bits are considered when the data frame format is set to be 8-bit data (CRCL bit in the SPIx_CR1 is cleared). CRC calculation is done based on any CRC8 standard.</p> <p>The entire 16-bits of this register are considered when a 16-bit data frame format is selected (CRCL bit in the SPIx_CR1 register is set). CRC calculation is done based on any CRC16 standard.</p> <p>Note: A read to this register when the BSY flag is set could return an incorrect value. These bits are not used in I²S mode.</p> |

24.9.8 SPIx_I2S configuration register (SPIx_I2SCFGR)

Address offset: 0x1C

Reset value: 0x0000

| | | | | | | | | | | | | | | | |
|------|------|------|----------|--------|------|--------|---------|------|--------|-------|--------|-------|----|----|----|
| 15 | 14 | 13 | 12 | 11 | 10 | 9 | 8 | 7 | 6 | 5 | 4 | 3 | 2 | 1 | 0 |
| Res. | Res. | Res. | ASTR TEN | I2SMOD | I2SE | I2SCFG | PCMSYNC | Res. | I2SSTD | CKPOL | DATLEN | CHLEN | | | |
| | | | rw | rw | rw | rw | rw | | | rw | rw | rw | rw | rw | rw |

| | |
|------------|---|
| Bits 15:13 | Reserved: Forced to 0 by hardware. |
| Bit 12 | <p>ASTRTEN: Asynchronous start enable.</p> <p>0: The asynchronous start is disabled. When the I²S is enabled in slave mode, the I²S slave starts the transfer when the I²S clock is received and an appropriate transition (depending on the protocol selected) is detected on the WS signal.</p> <p>1: The asynchronous start is enabled. When the I²S is enabled in slave mode, the I²S slave immediately starts the transfer when the I²S clock is received from the master without checking the expected transition of WS signal.</p> <p>Note: The appropriate transition is a falling edge on WS signal when I²S Philips standard is used, or a rising edge for other standards.</p> |
| Bit 11 | <p>I2SMOD: I²S mode selection.</p> <p>0: SPI mode is selected</p> <p>1: I²S mode is selected</p> <p>Note: This bit should be configured when the SPI is disabled.</p> |
| Bit 10 | <p>I2SE: I²S enable.</p> <p>0: I²S peripheral is disabled</p> <p>1: I²S peripheral is enabled</p> <p>Note: This bit is not used in SPI mode.</p> |
| Bits 9:8 | <p>I2SCFG: I²S configuration mode.</p> <p>00: Slave - transmit</p> <p>01: Slave - receive</p> <p>10: Master - transmit</p> <p>11: Master - receive</p> <p>Note: These bits should be configured when the I²S is disabled.</p> <p>They are not used in SPI mode.</p> |
| Bit 7 | <p>PCMSYNC: PCM frame synchronization.</p> <p>0: Short frame synchronization</p> <p>1: Long frame synchronization</p> <p>Note: This bit has a meaning only if I2SSTD=11 (PCM standard is used).</p> <p>It is not used in SPI mode.</p> |
| Bit 6 | Reserved: forced to 0 by hardware. |
| Bits 5:4 | <p>I2SSTD: I²S standard selection.</p> <p>00: I²S Philips standard.</p> <p>01: MSB justified standard (left justified)</p> <p>10: LSB justified standard (right justified)</p> <p>11: PCM standard</p> <p>For more details on I²S standards, refer to Section 24.7.2: Supported audio protocols.</p> <p>Note: For correct operation, these bits should be configured when the I²S is disabled.</p> |

| | |
|----------|--|
| | They are not used in SPI mode. |
| Bit 3 | <p>CKPOL: Steady-state clock polarity.</p> <p>0: I²S clock steady-state is low level</p> <p>1: I²S clock steady-state is high level</p> <p>Note: For correct operation, this bit should be configured when the I²S is disabled.</p> <p>It is not used in SPI mode.</p> |
| Bits 2:1 | <p>DATLEN: Data length to be transferred.</p> <p>00: 16-bit data length</p> <p>01: 24-bit data length</p> <p>10: 32-bit data length</p> <p>11: Not allowed</p> <p>Note: For correct operation, these bits should be configured when the I²S is disabled.</p> <p>They are not used in SPI mode.</p> |
| Bit 0 | <p>CHLEN: Channel length (number of bits per audio channel).</p> <p>0: 16-bit wide</p> <p>1: 32-bit wide</p> <p>The bit write operation has a meaning only if DATLEN = 00 otherwise the channel length is fixed to 32-bit by hardware whatever the value filled in.</p> <p>Note: For the correct operation, this bit should be configured when the I²S is disabled.</p> <p>It is not used in SPI mode.</p> |

24.9.9 SPIx_I2S prescaler register (SPIx_I2SPR)

Address offset: 0x20

Reset value: 0x0002

| | | | | | | | | | | | | | | | |
|------|------|------|------|------|------|-------|-----|--------|---|---|---|---|---|---|---|
| 15 | 14 | 13 | 12 | 11 | 10 | 9 | 8 | 7 | 6 | 5 | 4 | 3 | 2 | 1 | 0 |
| Res. | Res. | Res. | Res. | Res. | Res. | MCKOE | ODD | I2SDIV | | | | | | | |
| | | | | | | rw | rw | rw | | | | | | | |

| | |
|------------|---|
| Bits 15:10 | Reserved: forced to 0 by hardware. |
| Bit 9 | <p>MCKOE: Master clock output enable.</p> <p>0: Master clock output is disabled</p> <p>1: Master clock output is enabled</p> <p>Note: This bit should be configured when the I²S is disabled. It is used only when the I²S is in master mode. It is not used in SPI mode.</p> |
| Bit 8 | <p>ODD: Odd factor for the prescaler.</p> <p>0: Real divider value is = I2SDIV *2</p> <p>1: Real divider value is = (I2SDIV * 2)+1. Refer to Section 24.7.3: Clock generator.</p> <p>Note: This bit should be configured when the I²S is disabled. It is used only when the I²S is in master mode. It is not used in SPI mode.</p> |
| Bits 7:0 | <p>I2SDIV: I²S linear prescaler.</p> <p>I2SDIV [7:0] = 0 or I2SDIV [7:0] = 1 are forbidden values. Refer to Section 24.7.3: Clock generator.</p> <p>Note: These bits should be configured when the I²S is disabled. They are used only when the I²S is in master mode.</p> <p>They are not used in SPI mode.</p> |

24.9.10 SPI/I2S register map

| Offset | Register | 31 | 30 | 29 | 28 | 27 | 26 | 25 | 24 | 23 | 22 | 21 | 20 | 19 | 18 | 17 | 16 | 15 | 14 | 13 | 12 | 11 | 10 | 9 | 8 | 7 | 6 | 5 | 4 | 3 | 2 | 1 | 0 | | |
|--------|-------------|------|------|------|------|------|------|------|------|------|------|------|------|------|------|------|------|----------|---------------|---------|------------|---------|--------|------------|-------|----------|-------|---------|------|------|---------|---------|--------|-----|------|
| 0x00 | SPIx_CR1 | Res. | Res. | Res. | Res. | Res. | Res. | Res. | Res. | Res. | Res. | Res. | Res. | Res. | Res. | Res. | Res. | BIDIMODE | BIDIOE | CRCEN | CRCNEXT | CRCL | RXONLY | SSM | SSI | LSBFIRST | SPE | BR[2:0] | | | MSTR | CPOL | CPHA | | |
| | Reset value | | | | | | | | | | | | | | | | | 0 | 0 | 0 | 0 | 0 | 0 | 0 | 0 | 0 | 0 | 0 | 0 | 0 | 0 | 0 | 0 | | |
| 0x04 | SPIx_CR2 | Res. | Res. | Res. | Res. | Res. | Res. | Res. | Res. | Res. | Res. | Res. | Res. | Res. | Res. | Res. | Res. | Res. | LDMA_TX | LDMA_RX | FRXTH | DS[3:0] | | | TXEIE | RXNEIE | ERRIE | FRF | NSSP | SSOE | TXDMAEN | RXDMAEN | | | |
| | Reset value | | | | | | | | | | | | | | | | | | 0 | 0 | 0 | 0 | 1 | 1 | 1 | 0 | 0 | 0 | 0 | 0 | 0 | 0 | 0 | | |
| 0x08 | SPIx_SR | Res. | Res. | Res. | Res. | Res. | Res. | Res. | Res. | Res. | Res. | Res. | Res. | Res. | Res. | Res. | Res. | Res. | Res. | Res. | FTLVL[1:0] | | | FRLVL[1:0] | | | FRE | BSY | OVR | MODF | CRCERR | UDR | CHSIDE | TXE | RXNE |
| | Reset value | | | | | | | | | | | | | | | | | | | | | 0 | 0 | 0 | 0 | 0 | 0 | 0 | 0 | 0 | 0 | 0 | 0 | 1 | 0 |
| 0x0C | SPIx_DR | Res. | Res. | Res. | Res. | Res. | Res. | Res. | Res. | Res. | Res. | Res. | Res. | Res. | Res. | Res. | Res. | Res. | DR[15:0] | | | | | | | | | | | | | | | | |
| | Reset value | | | | | | | | | | | | | | | | | | 0 | 0 | 0 | 0 | 0 | 0 | 0 | 0 | 0 | 0 | 0 | 0 | 0 | 0 | 0 | 0 | |
| 0x10 | SPIx_CRCPR | Res. | Res. | Res. | Res. | Res. | Res. | Res. | Res. | Res. | Res. | Res. | Res. | Res. | Res. | Res. | Res. | Res. | CRCPOLY[15:0] | | | | | | | | | | | | | | | | |
| | Reset value | | | | | | | | | | | | | | | | | | 0 | 0 | 0 | 0 | 0 | 0 | 0 | 0 | 0 | 0 | 0 | 0 | 0 | 0 | 1 | 1 | 1 |



| Offset | Register | 31 | 30 | 29 | 28 | 27 | 26 | 25 | 24 | 23 | 22 | 21 | 20 | 19 | 18 | 17 | 16 | 15 | 14 | 13 | 12 | 11 | 10 | 9 | 8 | 7 | 6 | 5 | 4 | 3 | 2 | 1 | 0 | | |
|--------|--------------|------|------|------|------|------|------|------|------|------|------|------|------|------|------|------|------|-------------|------|------|---------|--------|------|--------|---------|--------|--------|-------|--------|-------|---|---|---|---|---|
| 0x14 | SPIx_RXCR | Res. | Res. | Res. | Res. | Res. | Res. | Res. | Res. | Res. | Res. | Res. | Res. | Res. | Res. | Res. | Res. | RxCRC[15:0] | | | | | | | | | | | | | | | | | |
| | Reset value | | | | | | | | | | | | | | | | | 0 | 0 | 0 | 0 | 0 | 0 | 0 | 0 | 0 | 0 | 0 | 0 | 0 | 0 | 0 | 0 | | |
| 0x18 | SPIx_TXCR | Res. | Res. | Res. | Res. | Res. | Res. | Res. | Res. | Res. | Res. | Res. | Res. | Res. | Res. | Res. | Res. | TxCRC[15:0] | | | | | | | | | | | | | | | | | |
| | Reset value | | | | | | | | | | | | | | | | | 0 | 0 | 0 | 0 | 0 | 0 | 0 | 0 | 0 | 0 | 0 | 0 | 0 | 0 | 0 | 0 | | |
| 0x1C | SPIx_I2SCFGR | Res. | Res. | Res. | Res. | Res. | Res. | Res. | Res. | Res. | Res. | Res. | Res. | Res. | Res. | Res. | Res. | Res. | Res. | Res. | ASTRTEN | I2SMOD | I2SE | I2SCFG | PCMSYNC | Res. | I2SSTD | CKPOL | DATLEN | CHLEN | | | | | |
| | Reset value | | | | | | | | | | | | | | | | | | | | 0 | 0 | 0 | 0 | 0 | 0 | 0 | 0 | 0 | 0 | 0 | 0 | 0 | | |
| 0x20 | SPIx_I2SPR | Res. | Res. | Res. | Res. | Res. | Res. | Res. | Res. | Res. | Res. | Res. | Res. | Res. | Res. | Res. | Res. | Res. | Res. | Res. | Res. | Res. | Res. | MCKOE | ODD | I2SDIV | | | | | | | | | |
| | Reset value | | | | | | | | | | | | | | | | | | | | | | | 0 | 0 | 0 | 0 | 0 | 0 | 0 | 0 | 0 | 0 | 1 | 0 |

Refer to [Section 2.2.2: Memory map and register boundary addresses.](#)

25 Radio IP

25.1 Overview

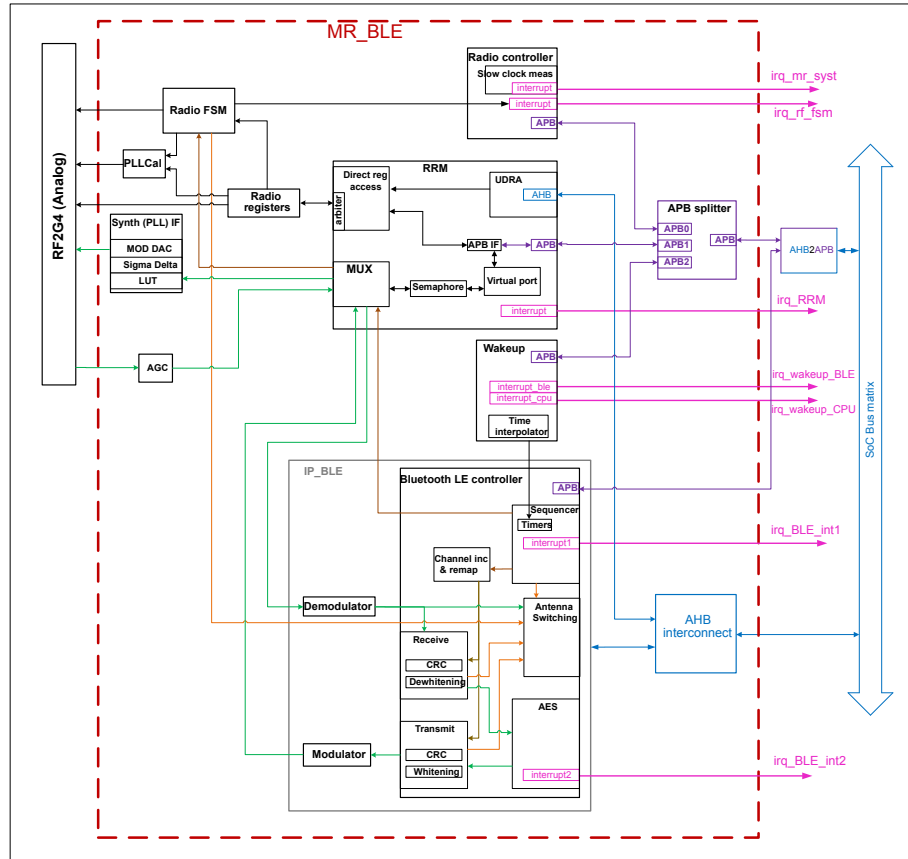
This section describes the Radio IP embedded in the STM32WB05xZ product. The Radio controller MR_BLE manages the Bluetooth® Low Energy protocol with hardware add-on to support some new Bluetooth specification features, and controls the RF analog module.

25.1.1 Architecture overview of the MR_BLE IP

As shown in [Figure 197. RRM overview](#), the MR_BLE IP contains:

- A Bluetooth® Low Energy subsystem dedicated to Bluetooth protocol (IP_BLE block) and containing:
 - a Bluetooth® Low Energy link layer. This sub block is an AHB master
 - a demodulator
 - a modulator
- An RRM (radio resource manager) block contains:
 - a UDRA (unified direct register access) executing link list command in RAM to read/write radio register. This sub-block is an AHB master
 - Direct radio register access allowing read/write access to radio registers through APB
- A wakeup/always-on block contains:
 - a wakeup block for IP_BLE including a time interpolator and sleep request / wakeup request management and a few enhanced features
- A radio FSM controlling the RF2G4 analog radio.
- A radio registers block (to program the analog radio parameters).
- Some small blocks used for calibrations, PLL control, Rx data path interface (AGC, FIFO ADC).

The MR_BLE IP supports two system clock frequencies: 16 MHz and 32 MHz.

Figure 196. MR_BLE architecture overview


25.1.2 Global scenario for Bluetooth® Low Energy protocol usage

The Bluetooth® Low Energy link layer always needs a trigger event to start a sequence. This trigger event has three possible timer sources (wakeup timer, Timer1, or Timer2).

Basically, a Bluetooth sequence follows the steps described below:

1. The CPU needs to prepare in RAM (through different tables) all information needed for the coming transfer:
 - for radio programming (channel number, reception, or transmission, calibration feature, etc.)
 - for a packet to transmit or receive (contents, ADV, or data, encryption, etc.)
 - for interrupt mask selection
 - to prepare the trigger event that schedules the sequence after this one
2. Then the CPU has to program the chosen timer (except if already done through a table for timer2 inside the previous sequence).
3. Once the Bluetooth® Low Energy link layer receives the trigger event from the programmed timer, it gets all the information in the RAM table and launches the requested transfer.
4. At the end of the sequence (and not before), the Bluetooth® Low Energy link layer writes back in RAM tables some information, updates the status/error flags and generates an interrupt towards the CPU according to the interrupt mask programming.
5. The CPU has to treat the RAM table updated information (including packet payload after a reception) to decide what is the next wanted sequence. Then a cycle restarts from step 1.

Note:

- *The RAM tables are located in a retention area. So, the data is kept even during low-power modes that switch off the digital 1.2 V power domain. This allows the Bluetooth® Low Energy link layer to start a transmission/reception while the CPU is not yet available as rebooting from a wakeup reset.*

25.1.3 Miscellaneous features: RF activity monitoring

25.1.3.1 *On-going Tx sequence information (to control an external power amplifier (PA))*

The MR_BLE is able to control an external power amplifier (located on the board to increase the Tx power) through a signal provided to the SoC to be connected directly on an external GPIO or to be managed with an additional logical mechanism. The external PA can be useful to extend the Tx power.

The external power amplifier components have quite a long latency to establish and consume a lot of current (several mA) which could lead to unlocking the MR_BLE PLL. For this reason, the control signal is anticipated as soon as the system knows it starts a Tx sequence and stops as soon as possible (at the same time as the internal PA).

The MR_BLE outputs a signal to the SoC, which is high as soon as a Tx sequence is requested to the radio FSM up to the return to ACTIVE2 or less state. To be more precise, the information is provided as soon as the radio FSM is starting to treat a Tx request (leaving ACTIVE2 state for EN_LDO state) and goes down as soon as the system switches off the internal PA (for example, leaving Tx state at the end of the transmission or during EN_PA in case of PLL lock fail).

The information is available in two different ways in the STM32WB05xZ:

- directly output on a GPIO (RADIO_TX_SEQUENCE)
- flags and associated interrupt available in the system controller (SYSCFG block)

25.1.3.2 *On-going Rx sequence information (to control an external low noise amplifier (LNA))*

The MR_BLE is able to control an external low noise amplifier (located on the board) through a signal provided to the SoC to be connected directly on an external GPIO or to be managed with additional logical mechanism.

The MR_BLE outputs a signal to the SoC, which is high as soon as an Rx sequence is requested to the radio FSM up to the return to ACTIVE2 or less state.

The information is available in two different ways in the STM32WB05xZ:

- directly output on a GPIO (RADIO_RX_SEQUENCE)
- flags and associated interrupt available in the system controller (SYSCFG block).

25.1.3.3 *RF activity information*

An additional signal is available on the device pin to inform either an Rx or a Tx sequence is active. This pin called RADIO_RF_ACTIVITY is a logical OR between the RADIO_TX_SEQUENCE and RADIO_RX_SEQUENCE mentioned in the two previous sections.

25.1.4 Bluetooth® Low Energy standard 5.1 additional support

The STM32WB05xZ Radio IP supports the angle of arrival (AoA) and angle of departure (AoD) feature by managing:

- the constant tone extension (CTE) inside the packet
- the antenna switching mechanism for both AoA and AoD

In transmission, the MR_BLE is able:

- to append the constant tone extension at the end of the packet
- and, if AoD mode is selected, to manage the antenna switching according to CTEInfo parameters (duration and switching slots definition) and following a pattern provided by the SW
- The SW has to provide to the IP_BLE the CTE information (CTE time, CTE type, slot width) and the antenna pattern if antenna switching in AoD has to be managed

In reception, the MR_BLE is able:

- to detect and decode CTEInfo bit field from the received frame
- to store the IQ samples in RAM according to sampling time slots
- and, if AoA mode is selected, manage the antenna switching according to CTEInfo parameters (duration and switching slots definition)

The SW has only to provide the slot width information if the configuration is an AoA configuration as this is the only information not available in the received frame and the antenna pattern.

The CTE/antenna switching mechanism of the MR_BLE provides to the external world a 7-bit antenna identifier (ANT_ID[6:0]) indicating the antenna number to be used.

The CTE/antenna switching feature implies:

- adding few bit fields in the RAM tables
 - CTE information when hardware cannot extract them by itself
 - A pointer on a RAM buffer where to store the IQ sampling for CTE reception
 - Antenna pattern length and a pointer on the RAM buffer containing the antenna pattern
- adding a status register in the IP_BLE APB registers (STATUS2REG) providing information on the IQ sampling and antenna switching sequence that just occurred
- adding some radio registers to tune timing delays on antenna switching control and IQ sampling

Those new features support can be disabled by SW through the StatMach.CTEDisable bit.

25.2 Interfacing with the MR_BLE IP

The MR_BLE IP interfaces with several blocks in the system:

- CPU through interrupts
- RAM through an AHB interface either initiated by the RRM or by the Bluetooth® Low Energy link layer
- Power controller block and clock and reset controller block
- Specific signals to propagate to the pads of the device to manage inside the Soc.

25.2.1 Interruption lines to the CPU

The MR_BLE IP provides several interruption lines to the CPU, issued by different sub-blocks:

- 2 interrupt lines from the Bluetooth® Low Energy link layer
- 2 interrupt lines from the wakeup block
- 1 interrupt line from the RRM
- 2 interrupt lines from the radio controller.

Table 115. Interruption summary

| Line number on SoC NVIC | Interrupt name | Description |
|-------------------------|----------------------------------|---|
| 18 | BLE_TXRX (int_BLE_irq1) | Indicate that a Bluetooth sequence occurred |
| 19 | BLE_AES (int_BLE_irq2) | Indicate that an AES LE privacy or manual operation ended |
| 21 | RADIO_CTRL (int_mr_syst) | Indicate that the slow clock measurement result is ready |
| 22 | MR_BLE (irq_rrm + irq_radio_fsm) | Combine information related to RRM-UDRA operations and radio FSM analog feedback (PLL lock and calibration) |
| 23 | CPU_WKUP (irq_wakeup_cpu) | Indicate a CPU wakeup timer match |
| 24 | BLE_WKUP (irq_wakeup_ble) | Indicate a wakeup timer trigger occurred on the sequencer |

25.2.1.1 IP_BLE interrupt lines

irq_BLE_int1 (aka BLE_TXRX):

- This interrupt line is triggered when a Bluetooth sequence has been executed. It informs the CPU that status/error flags and RAM tables may have been updated
- Mapped on CPU interrupt line 18.

irq_BLE_int2 (aka BLE_AES):

- This interrupt line is dedicated to an embedded AES block and combines both AES LE privacy and AES manual encryption information
- Mapped on CPU interrupt line 19.

See Section 25.8.3: IP_BLE interrupts for details on interrupt sources.

25.2.1.2 wakeup block interrupt lines

irq_wakeup_ble (aka BLE_WKUP):

- This interrupt line indicates to the CPU that the IP_BLE receives a wakeup request from the MR_BLE IP wakeup block. The wakeup request source is the wakeup timer.

- Mapped on CPU line 24

irq_wakeup_cpu:

- This interrupt line indicates that the wakeup timer reaches the programmed value to trigger an interrupt towards the CPU (dedicated slice in the wakeup block design in parallel with the IP_BLE slice).
- Mapped on CPU line 23.

See [Section 25.9: Wakeup block](#) for more details.

25.2.1.3 RRM interrupt line

This interrupt line is dedicated to the RRM block. It is triggered on semaphore and UDRA sub-block activities.

See [Section 25.4: Radio resource manager \(RRM\)](#) for more details.

25.2.1.4 Radio controller interrupt lines

irq_rf_fsm:

- This interrupt line indicates events and errors detected by the radio state machine.

irq_mr_syst:

- This interrupt line is dedicated to the counter measuring the slow clock period and frequency. It indicates when the calculated values are available.

See [Section 25.7: Radio controller](#) for more details.

25.2.2 Interface with the RAM embedded in the SoC

The MR_BLE IP is an AHB master on the bus matrix as the CPU or a DMA.

Two of its internal blocks access the RAM of the system:

- the Bluetooth® Low Energy link layer to read the sequence information and Tx/Rx configuration parameters, to read the data to transmit or to write the received data in the RAM tables, to store the IQ samples during a CTE reception
- the RRM UDRA block to get commands structure in RAM, used to program the radio registers while the CPU is not available (potentially rebooting after a low-power mode).

Both internal blocks may need to access the RAM in parallel. An arbiter is located inside the IP.

25.2.3 Interface with the power clock and reset controllers

The MR_BLE receives several clocks from the SoC:

- the system clock that can be 16 or 32 MHz
- an always 16 MHz clock
- an always 32 MHz clock
- a slow clock (called 32 kHz clock in this document) that needs to be in the always-on power domain as it corresponds to the clock used to wake up the radio link layers from sleep state.

The fast clocks (system, 16 MHz, and 32 MHz) must be accurate when the radio is used (for the transmission/reception).

The MR_BLE IP communicates with the power controller of the system to indicate when the MR_BLE IP is ok to go to low-power modes and when it requests a wakeup.

The MR_BLE IP says it is ready to sleep when:

- no sequence is on-going (a sequence starts with a trigger event and the IP_BLE interrupt rising edge)
- no timer1 or timer2 selected to generate the next trigger event on the Sequencer
- no pending interrupt in the INTERRUPT1REG APB register.

The MR_BLE IP also proposes an embedded always-on timer that may generate a programmed wakeup for the CPU.

25.3 Warning for users

Note:

- If some radio registers are modified in the RRM commands, they should not be also modified by the CPU through direct access. Indeed, there is no way to keep coherency and know which master last modified the concerned radio register.
- Accurate system clock must be present during all scenarios where the IP_BLE Sequencer uses the Timer1 (from trigger event).
- On the fly, CCM encryption does not work if TxRxPack.NS_EN bit is low.

25.4 Radio resource manager (RRM)

The Radio Resource Manager (RRM) is a hardware block managing the radio access to one unique controller at a time.

It is the block that manages the requests performed by the Bluetooth® Low Energy link layer of the IP_BLE and the CPU to access the radio resources. The requests pass through a semaphore and only one of the two can take control of the radio at a time. The arbitration behaves as follows:

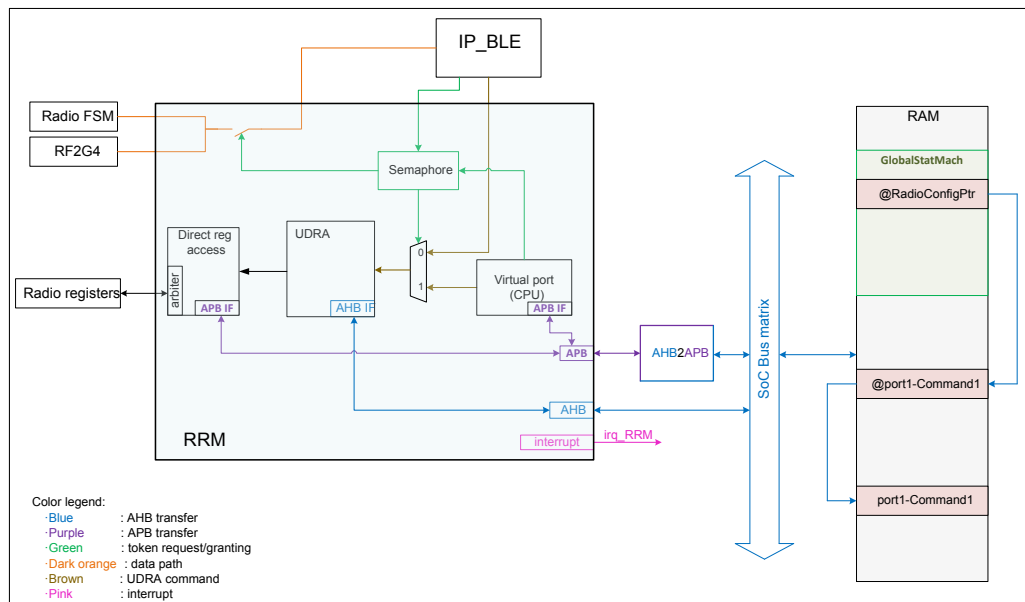
- check the priority value to choose between the IP_BLE or the CPU
- if the same, then the arbiter eliminates the requester that has been served more recently.

The two controllers can request access to the radio resources through a dedicated port:

- Port 0 for the IP_BLE
- Port 1 for the CPU (it is a virtual port in this case)

The Bluetooth® Low Energy link layer does not have access to the radio resources until it requests a token to the RRM and the RRM grants it. For the CPU, only RRM commands require to get a token, the direct APB access to the Radio registers is always possible. The token is requested by software for the CPU while it is done by hardware for the Bluetooth® Low Energy link layer each time a timer trig event starts a sequence. Nevertheless, the firmware can release the token granted by the Bluetooth® Low Energy link layer writing inside the CMDREG APB register. Once the requester has the token, its port is granted, and it can access the radio resources.

Figure 197. RRM overview



25.4.1 Semaphore

The semaphore grants the access to the radio resources control to the radio controller or to the CPU depending on the demand.

An arbitration system is in place to manage conflicts when a token request is raised simultaneously by the IP_BLE controller and the CPU. In this case, the arbiter:

- checks the priority programmed for the CPU virtual port to choose between the two requesters (IP_BLE has priority=0)
- if the same, eliminates the requester that has been served more recently.

The CPU is a virtual port and must provide the token request through an APB registers bit field (see [Section 25.4.4.1: RRM register list](#)). The Bluetooth® Low Energy link layer controller uses hard wired signals to communicate with the RRM and the request is managed directly by the Bluetooth® Low Energy link layer each time a timer trig event starts a Bluetooth® Low Energy sequence.

As soon as the IP_BLE port is granted, the Radio FSM block is informed by the semaphore that the radio is about to be used. The goal is to switch off the analog as much as possible when not used and switch it on only when needed (for power consumption)

Some interruptions are linked to the semaphore block in the RRM:

- on a port grant event
- on a port release event

See [Section 25.4.4: RRM registers](#).

25.4.2 UDRA

The "Unified Direct Register Access" block allows the software to prepare some commands in a command link list located in the retention RAM. Those commands execute read from and write into the radio registers.

Some interruptions are linked to the UDRA block in the RRM:

- on a command start event
- on a command end event.

See [Section 25.4.4: RRM registers](#) for more details.

The main goal of this block is to allow the Bluetooth® Low Energy link layer to reinitialize the radio registers after a low power mode sequence to start an RF communication while the CPU is still being booted and not yet available to manage.

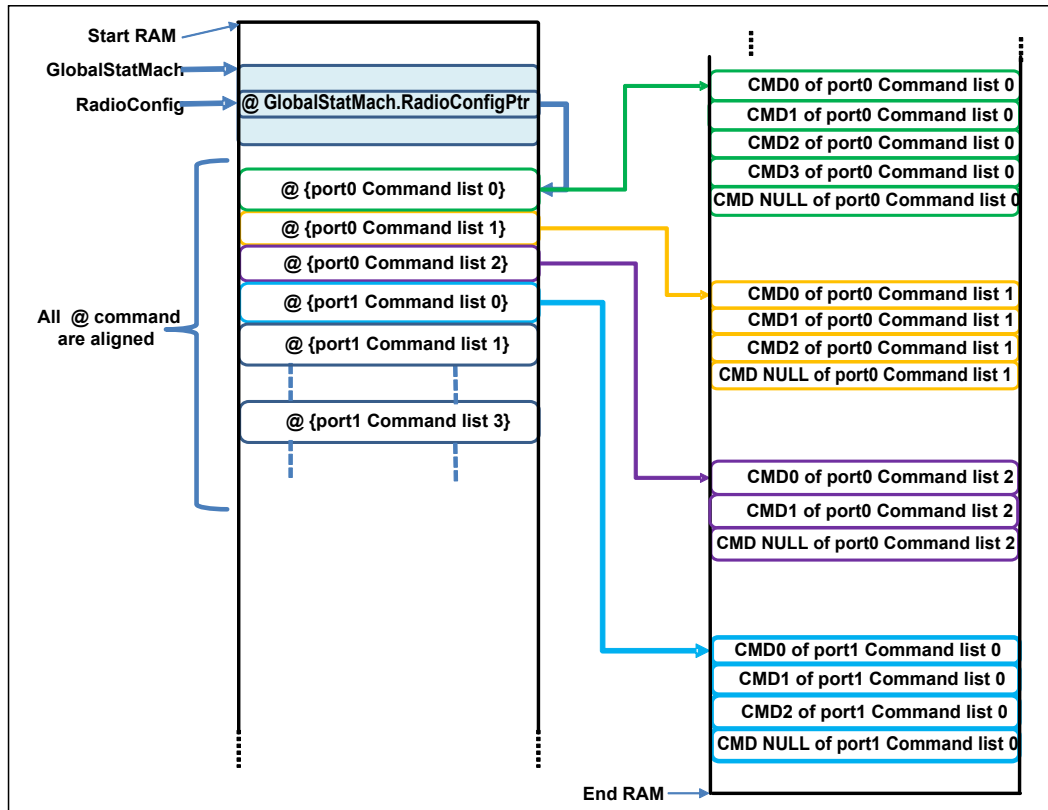
Note: *The read command embeds some limitations. However, the radio registers can be read directly through the APB by the CPU so the read command of the UDRA is useless.*

25.4.2.1 RAM command link list information

The mapping in RAM for the commands for each port is the following:

- the RadioConfigPtr field of the GlobalStateMachGlobalStatMach contains the start address of the command start list (this address must be 32-bit aligned)
- the command start list is a 32-bit element table containing the first command addresses of each command number of each port
- each command of each port contains some read and/or write actions on radio registers.

An overview of this indirect mapping is represented in [Figure 198. UDRA command list mapping in RAM \(example\)](#)

Figure 198. UDRA command list mapping in RAM (example)


The RadioConfigPtr value is loaded by the RRM-UDRA automatically when the radio IP reset is released. If the software did not initialize this RAM address supposed to point on the command_start_list address before this first automatic load, a “reload pointer” command is available by writing 1 in the UDRA_CTRL0[0] APB register (this bit is auto-cleared immediately).

Note: The RadioConfigPtr pointer value loaded and used by the RRM-UDRA block can be read in the UDRA_RADIO_CFG_PTR APB register.

The port mapping has been defined as follows:

- 2 ports (port0=IP_BLE, port1= VP_CPU)
- port0 supports 3 commands (command 0/1/2)
- port1 supports 4 commands (command 0/1/2/3)

This leads to a command start list table as presented below:

Table 116. Command start list details

| Address in RAM | Meaning | Comments |
|-------------------------------|------------------------------|---|
| @RadioConfigPtr(value) + 0x00 | port0->command0 base address | Command requested by the Bluetooth® Low Energy link layer on wakeup timer trigger event if RadioComListEna bit = 1 in on-going StateMach. |
| @RadioConfigPtr(value) + 0x04 | port0->command1 base address | Command requested by the Bluetooth® Low Energy link layer on Timer1 trigger event if RadioComListEna bit = 1 in on-going StateMach. |
| @RadioConfigPtr(value) + 0x08 | port0->command2 base address | Command requested by the Bluetooth® Low Energy link layer on Timer2 trigger event if RadioComListEna bit = 1 in on-going StateMach. |
| @RadioConfigPtr(value) + 0x0C | port1->command0 base address | VP_CPU: if the software needs to use an RRM-UDRA command to access the radio register instead of a direct access through APB. |

| Address in RAM | Meaning | Comments |
|-------------------------------|------------------------------|---|
| @RadioConfigPtr(value) + 0x10 | port1->command1 base address | VP_CPU: if the software needs to use a second RRM-UDRA command to access the radio register instead of a direct access through APB. |
| @RadioConfigPtr(value) + 0x14 | port1->command2 base address | VP_CPU: if the software needs to use a third RRM-UDRA command to access the radio register instead of a direct access through APB. |
| @RadioConfigPtr(value) + 0x18 | port1->command3 base address | VP_CPU: if the software needs to use a fourth RRM-UDRA command to access the radio register instead of a direct access through APB. |

25.4.2.2 UDRA command format in RAM

The write and read command format are described in the following table. Note that only one radio register address is entered for a write or a read. Then, if the number of data to write/read is more than one, the address is incremented automatically by 1.

Table 117. UDRA command format in RAM

| Byte number | Address in RAM | Byte value | Description |
|-------------|--------------------------|----------------------|---|
| 1 | command_base_addr | 0x-- | bit7: 0=write / 1=read bit[6:0] = number of data to write or to read. n = number of data for the example in this table. |
| 2 | command_base_addr+1 | 8-bit address | Address of a Radio register following the 8-bit address mapping (see Section 25.5.1: Radio register list) |
| 3 | command_base_addr+2 | 1 st data | If write command: write first 8-bit data to be written. If read command: location where the first 8-bit read datum is available. |
| 4 | command_base_addr+3 | 2 nd data | Optional (depends on number of data to write/read). If write command: write second 8-bit data to be written. If read command: location where the second 8-bit read datum is available. |
| ... | | | |
| n+2 | command_base_addr+(n+1) | n th data | Optional (depends on number of data to write/read). If write command: write n th 8-bit data to be written. If read command: location where the n th 8-bit read datum is available. |
| n+3 | command_base_addr+n+2 | 0x-- | Optional: possible to chain other commands. bit7: 0=write / 1=readbit [6:0] = number of data to write or to read. |
| n+4 | command_base_addr+n+3 | 8-bit address | Address of a radio register following the 8-bit address mapping (see) |
| n+5 | command_base_addr+n+4 | 1 st data | If write command: write first 8-bit data to be written. If read command: location where the first 8-bit read datum is available. |
| ... | | | |
| last | command_base_addr+last-1 | 0x00 / 0x80 | MANDATORY. The null command (command with null length) must be added at the end of the command list. This is needed by the state machines of the UDRA to be informed they reached the end of the list. |

Note: *If any error information is put in the RAM command list (bad command number, lack of null command, etc.), the RRM-UDRA does not return to an IDLE state and cannot accept new commands until a reset is done on the full MR_BLE IP.*

Basic examples:

- 1) Write AAC0_DIG_ENG=0x12 and AAC1_DIG_ENG=0x34 (grouped registers) through port1.command0:
@port1.command0_addr = 0x02; Write 2 data
@port1.command0_addr+1 = 0x AAC0_DIG_ENG_ADDR;

@port1.command0_addr+2 = 0x12; 1st data to write in AAC0_DIG_ENG
 @port1.command0_addr+3 = 0x34; 2nd data to write in AAC1_DIG_ENG
 @port1.command0_addr+4 = 0x00; null command

At the end of command execution, the 2 radio registers have been modified with a new value.

25.4.3 Direct register access

The direct register access block allows the software to access the radio registers directly through an APB access. To do a direct read or write access to the radio registers, the software just has to read/write them through the APB at address mapping described in [Section 25.5.1: Radio register list](#).

Note: The radio registers are 8-bit only so the APB register bit field [31:8] part is padded with 0. An 8-bit address mapping column is provided to be used in the RRM UDRA command list as the address of the radio register in this specific case.

An internal arbiter manages the case of concurrent accesses on radio registers by both UDRA (executing a command) and direct register access block (on a CPU read/write APB request). The arbitration is based on a round-robin priority mechanism.

Note: The software must not write any radio registers through direct APB access if they are also modified through commands in RAM (through UDRA block). In this case, there is a risk of multi drivers in parallel and loss of coherency (no way to know which requester wrote the last one).

25.4.4 RRM registers

25.4.4.1 RRM register list

The RRM registers are accessible through the APB interface.

All non-listed addresses must be considered as RESERVED.

The **RRM_BLOCKBaseAddress** keyword used for all the register base address information corresponds to the RRM registers base address in the SoC when integrating the IP.

RRM_BLOCKBaseAddress is 0x6000_1400 in the STM32WB05xZ product.

Table 118. RRM registers list

| Address offset | Name | RW | Reset | Description |
|----------------|--------------------|----|------------|-----------------------------|
| 0x10 | UDRA_CTRL0 | RW | 0x00000000 | UDRA_CTRL0 register |
| 0x14 | UDRA_IRQ_ENABLE | RW | 0x00000000 | UDRA_IRQ_ENABLE register |
| 0x18 | UDRA_IRQ_STATUS | RW | 0x00000000 | UDRA_IRQ_STATUS register |
| 0x1C | UDRA_RADIO_CFG_PTR | R | 0x00000000 | UDRA_RADIO_CFG_PTR register |
| 0x20 | SEMA_IRQ_ENABLE | RW | 0x00000000 | SEMA_IRQ_ENABLE register |
| 0x24 | SEMA_IRQ_STATUS | R | 0x00000000 | SEMA_IRQ_STATUS register |
| 0x28 | BLE_IRQ_ENABLE | RW | 0x00000000 | BLE_IRQ_ENABLE register |
| 0x2C | BLE_IRQ_STATUS | RW | 0x00000000 | BLE_IRQ_STATUS register |
| 0x60 | VP_CPU_CMD_BUS | RW | 0x00000000 | VP_CPU_CMD_BUS register |
| 0x64 | VP_CPU_SEMA_BUS | RW | 0x00000000 | VP_CPU_SEMA_BUS register |
| 0x68 | VP_CPU_IRQ_ENABLE | RW | 0x00000000 | VP_CPU_IRQ_ENABLE register |
| 0x6C | VP_CPU_IRQ_STATUS | RW | 0x00000000 | VP_CPU_IRQ_STATUS register |

Table 119. UDRA_CTRL0 register description

| Bit | Field name | Reset | RW | Description |
|------|-----------------|-------|----|---|
| 0 | RELOAD_RDCFGPTR | 0x0 | RW | Reload the radio configuration pointer from RAM. This bit is auto-cleared by hardware. |
| 31:1 | RESERVED31_1 | 0x0 | R | Reserved. |

Table 120. UDRA_IRQ_ENABLE register description

| Bit | Field name | Reset | RW | Description |
|------|------------------------|-------|----|--|
| 0 | RADIO_CFG_PTR_RELOADED | 0x0 | RW | UDRA interrupt enable (reload radio config pointer). |
| 1 | CMD_START | 0x0 | RW | UDRA interrupt enable (command start). |
| 2 | CMD_END | 0x0 | RW | UDRA interrupt enable (command end). |
| 31:3 | RESERVED31_3 | 0x0 | R | Reserved. |

Table 121. UDRA_IRQ_STATUS register description

| Bit | Field name | Reset | RW | Description |
|------|------------------------|-------|----|---|
| 0 | RADIO_CFG_PTR_RELOADED | 0x0 | RW | On read, returns the UDRA reload radio configuration pointer interrupt status. Write '1' to clear IRQ status bit. |
| 1 | CMD_START | 0x0 | RW | On read, returns the UDRA command start interrupt status. Note: this flag is located at global UDRA level and is raised only at the beginning of the command list execution (not raised again at start of all sub-commands chained in the command number under execution before the NULL command). Write '1' to clear IRQ status bit. |
| 2 | CMD_END | 0x0 | RW | On read, return the UDRA command end interrupt status. Write '1' to clear IRQ status bit. |
| 31:3 | RESERVED31_3 | 0x0 | R | Reserved. |

Table 122. UDRA_RADIO_CFG_PTR register description

| Bit | Field name | Reset | RW | Description |
|------|----------------------|-------|----|--|
| 31:0 | RADIO_CONFIG_ADDRESS | 0x0 | R | UDRA radio configuration address. This field contains the value contained by the RadioConfigPtr bit field in the GlobalStatMach RAM table when the MR_BLE exits the reset state. This field is updated after a reload configuration pointer command. |

Table 123. SEMA_IRQ_ENABLE register description

| Bit | Field name | Reset | RW | Description |
|------|--------------|-------|----|---|
| 0 | LOCK | 0x0 | RW | Semaphore locked (= one port granted) interrupt enable. |
| 1 | UNLOCK | 0x0 | RW | Semaphore unlocked (= no port selected) interrupt enable. |
| 31:2 | RESERVED31_2 | 0x0 | R | Reserved. |

Table 124. SEMA_IRQ_STATUS register description

| Bit | Field name | Reset | RW | Description |
|------|--------------|-------|----|--|
| 0 | LOCK | 0x0 | RW | On read, returns the semaphore locked interrupt status. Write '1' to clear this IRQ status bit. |
| 1 | UNLOCK | 0x0 | RW | On read, returns the semaphore unlocked interrupt status. Note: this flag reacts only on Bluetooth® Low Energy link layer token release but not on VP_CPU token release (which is useless as the SW is responsible for the action by clearing the take_req bit). Write '1' to clear this IRQ status bit. |
| 31:2 | RESERVED31_2 | 0x0 | R | Reserved. |

Table 125. BLE_IRQ_ENABLE register description

| Bit | Field name | Reset | RW | Description |
|------|----------------|-------|----|---|
| 0 | PORT_GRANT | 0x0 | RW | IP_BLE port grant interrupt enable. |
| 1 | PORT_RELEASE | 0x0 | RW | IP_BLE port release interrupt enable. |
| 2 | RESERVED2 | 0x0 | RW | Reserved |
| 3 | PORT_CMD_START | 0x0 | RW | IP_BLE port command start interrupt enable. |
| 4 | PORT_CMD_END | 0x0 | RW | IP_BLE port command end interrupt enable. |
| 31:5 | RESERVED31_5 | 0x0 | R | Reserved |

Table 126. BLE_IRQ_STATUS register description

| Bit | Field name | Reset | RW | Description |
|-----|--------------|-------|----|---|
| 0 | PORT_GRANT | 0x0 | RW | IP_BLE hardware port granted interrupt status. - 0: the IP_BLE request to semaphore is not granted. - 1: the IP_BLE request to take the semaphore is granted: the RF registers access and the radio Tx and the radio Rx data path are selected for that controller. The port stays granted as long as it requests the token and the semaphore is not preempted by another port. Write '1' to clear this IRQ status bit. |
| 1 | PORT_RELEASE | 0x0 | RW | IP_BLE hardware port released interrupt status. When read: - 0: the IP_BLE controller has not been released (due to take_req=1'b1). - 1: the IP_BLE controller has been released by the semaphore due to take_req=1'b0 (requested by Bluetooth® Low Energy link layer). Write '1' to clear this IRQ status bit. |
| 2 | RESERVED_2 | 0x0 | R | Reserved |
| 3 | CMD_START | 0x0 | RW | IP_BLE hardware port command start interrupt status. When read: - 0: the IP_BLE port command requested by the Bluetooth® Low Energy link layer is not started. - 1: the IP_BLE port command requested by the Bluetooth® Low Energy link layer is started. Note: this flag is raised at the beginning of any chained sub-command inside the command number under execution (so can be raised several times if more than one command before the NULL command). Write '1' to clear this IRQ status bit. |
| 4 | CMD_END | 0x0 | RW | IP_BLE hardware port command end interrupt status. When read: - 0: the IP_BLE port command requested by the Bluetooth® Low Energy link layer is not completed. - 1: the IP_BLE port command requested by the Bluetooth® Low Energy link layer is completed. |

| Bit | Field name | Reset | RW | Description |
|------|--------------|-------|----|--|
| | | | | Note: this flag is raised only when the UDRA reaches the NULL command (not as CMD_START). Write '1' to clear this IRQ status bit. |
| 31:5 | RESERVED31_5 | 0x0 | R | Reserved |

Note: The Bluetooth® Low Energy link layer receives the previous information directly by hardware wires and manages the sequence through them. The interrupt mechanism is there in case the CPU needs to monitor the activity between the Bluetooth® Low Energy link layer and the RRM block.

Table 127. VP_CPU_CMD_BUS register description

| Bit | Field name | Reset | RW | Description |
|------|--------------|-------|----|---|
| 2:0 | COMMAND | 0x0 | RW | Command number. |
| 3 | COMMAND_REQ | 0x0 | RW | CPU Virtual port command request: - 0: the RRM command request is released. - 1: request a command to the RRM-UDRA block. This bit is cleared by hardware once the command is ended. |
| 31:4 | RESERVED31_4 | 0x0 | R | Reserved. |

Table 128. VP_CPU_SEMA_BUS register description

| Bit | Field name | Reset | RW | Description |
|------|--------------|-------|----|---|
| 2:0 | TAKE_PRIO | 0x0 | RW | Semaphore priority value (between 0 and 7) of the take request. The higher the value, the higher priority is the request. |
| 3 | TAKE_REQ | 0x0 | RW | Semaphore token request: - 0: the CPU virtual port releases the semaphore or does not request to take the RRM semaphore. - 1: the CPU virtual port requests to take or to keep the RRM semaphore. The SW must set this bit to request the token and reset it to 0 to release the token. Note: the VP_CPU belongs to the token only once VP_CPU_IRQ_STATUS[0] = PORT_GRANT bit is 1 (same for PORT_RELEASE bit when TAKE_REQ bit is written to 0). |
| 31:4 | RESERVED31_4 | 0x0 | R | Reserved |

Table 129. VP_CPU_IRQ_ENABLE register description

| Bit | Field name | Reset | RW | Description |
|------|----------------|-------|----|--|
| 0 | PORT_GRANT | 0x0 | RW | CPU virtual port grant interrupt enable. |
| 1 | PORT_RELEASE | 0x0 | RW | CPU virtual port release interrupt enable. |
| 2 | RESERVED2 | 0x0 | RW | Reserved |
| 3 | PORT_CMD_START | 0x0 | RW | CPU virtual port command start interrupt enable. |
| 4 | PORT_CMD_END | 0x0 | RW | CPU virtual port command end interrupt enable. |
| 31:5 | RESERVED31_5 | 0x0 | R | Reserved |

Table 130. VP_CPU_IRQ_STATUS register description

| Bit | Field name | Reset | RW | Description |
|------|--------------|-------|----|---|
| 0 | PORT_GRANT | 0x0 | RW | CPU virtual port granted interrupt status. - 0: the CPU virtual port token request is not granted. - 1: the CPU virtual port token request is granted by the semaphore: <ul style="list-style-type: none"> the Radio registers access through a UDRA command is possible for that port (direct APB access is not concerned, always accessible), prevents the Bluetooth® Low Energy link layer from having access to the Radio Tx and the Radio Rx data path. Write '1' to clear this IRQ status bit. |
| 1 | PORT_RELEASE | 0x0 | RW | CPU virtual port released interrupt status. - 0: the CPU virtual port has not been released (due to TAKE_REQ=1'b1). - 1: the CPU virtual port has been released by the semaphore due to TAKE_REQ=1'b0 (requested by CPU virtual port). Write '1' to clear this IRQ status bit. |
| 2 | RESERVED2 | 0x0 | R | Reserved |
| 3 | CMD_START | 0x0 | RW | CPU virtual port command start interrupt status. When read: - 0: the command requested by the CPU virtual port (port1) is not started. - 1: the command requested by the CPU virtual port (port1) is started. Note: this flag is raised at the beginning of any chained command inside the command number under execution (so can be raised several times if more than one command before the NULL command). Write '1' to clear this IRQ status bit. |
| 4 | CMD_END | 0x0 | RW | CPU virtual port command end interrupt status. When read: - 0: the command requested by the CPU virtual port (port1) is not completed. - 1: the command requested by the CPU virtual port (port1) is completed. Note: this flag is raised only when the UDRA reaches the NULL command (not as CMD_START). Write '1' to clear this IRQ status bit. |
| 31:5 | RESERVED31_5 | 0x0 | R | Reserved |

25.5 Radio registers

The Radio registers are 8-bit registers mainly used to control the RF2G4 analog IP and the Radio FSM. They also allow taking control for validation/test purposes.

They can be accessed through two different mappings:

- as 32-bit APB registers (address incremented by 4 between each register) through RRM Direct Access interface
 - this mapping is used by the CPU
- as 8-bit register (address incremented by 1 between each register) through RRM UDRA command list in RAM
 - this mapping is used by the RRM

Caution: the radio registers are used to control the analog and few modulator/demodulator features. They are not supposed to be modified directly by the user. The potential modifications are provided by STMicroelectronics in the SDK boot code.

25.5.1 Radio register list

The **RF_REG_BLOCKBaseAddress** keyword used for all the register base address information corresponds to the Radio registers base address decided by the SoC when integrating the IP.

RF_REG_BLOCKBaseAddress is 0x6000_1500 in the STM32WB05xZ product.

Table 131. Radio register list

| Address Offset 8-bit APB | | Register name | Description | Page link |
|-------------------------------|-------|---------------------|------------------------------|-----------|
| 0x00 | 0x00 | AA0_DIG_USR | AA0_DIG_USR register | 0 |
| 0x01 | 0x04 | AA1_DIG_USR | AA1_DIG_USR register | 0 |
| 0x02 | 0x08 | AA2_DIG_USR | AA2_DIG_USR register | 0 |
| 0x03 | 0x0C | AA3_DIG_USR | AA3_DIG_USR register | 0 |
| 0x04 | 0x10 | DEM_MOD_DIG_USR | DEM_MOD_DIG_USR register | 0 |
| 0x05 | 0x14 | RADIO_FSM_USR | RADIO_FSM_USR register | 0 |
| 0x06 | 0x18 | PHYCTRL_DIG_USR | PHYCTRL_DIG_USR register | 0 |
| 0x12 | 0x48 | AFC1_DIG_ENG | AFC1_DIG_ENG register | 0 |
| 0x15 | 0x54 | CR0_DIG_ENG | CR0_DIG_ENG register | 0 |
| 0x1A | 0x68 | CR0_LR | CR0_LR register | 0 |
| 0x1B | 0x6C | VIT_CONF_DIG_ENG | VIT_CONF_DIG_ENG register | 0 |
| 0x21 | 0x84 | LR_PD_THR_DIG_ENG | LR_PD_THR_DIG_ENG register | 0 |
| 0x22 | 0x88 | LR_RSSI_THR_DIG_ENG | LR_RSSI_THR_DIG_ENG register | 0 |
| 0x23 | 0x8C | LR_AAC_THR_DIG_ENG | LR_AAC_THR_DIG_ENG register | 0 |
| 0x2A | 0xA8 | SYNTHCAL0_DIG_ENG | SYNTHCAL0_DIG_ENG register | 0 |
| 0x3C | 0xF0 | DTB5_DIG_ENG | DTB5_DIG_ENG register | 0 |
| 0x52 | 0x148 | RXADC_ANA_USR | RXADC_ANA_USR register | 0 |
| 0x55 | 0x154 | LDO_ANA_ENG | LDO_ANA_ENG register | 0 |
| 0x5D | 0x174 | CBIAS0_ANA_ENG | CBIAS0_ANA_ENG register | 0 |
| 0x5E | 0x178 | CBIAS1_ANA_ENG | CBIAS1_ANA_ENG register | 0 |
| 0x60 | 0x180 | SYNTHCAL0_DIG_OUT | SYNTHCAL0_DIG_OUT register | 0 |
| 0x61 | 0x184 | SYNTHCAL1_DIG_OUT | SYNTHCAL1_DIG_OUT register | 0 |
| 0x62 | 0x188 | SYNTHCAL2_DIG_OUT | SYNTHCAL2_DIG_OUT register | 0 |
| 0x63 | 0x18C | SYNTHCAL3_DIG_OUT | SYNTHCAL3_DIG_OUT register | 0 |
| 0x64 | 0x190 | SYNTHCAL4_DIG_OUT | SYNTHCAL4_DIG_OUT register | 0 |
| 0x65 | 0x194 | SYNTHCAL5_DIG_OUT | SYNTHCAL5_DIG_OUT register | 0 |
| 0x66 | 0x198 | FSM_STATUS_DIG_OUT | FSM_STATUS_DIG_OUT register | 0 |
| 0x69 | 0x1A4 | RSSI0_DIG_OUT | RSSI0_DIG_OUT register | 0 |
| 0x6A | 0x1A8 | RSSI1_DIG_OUT | RSSI1_DIG_OUT register | 0 |
| 0x6B | 0x1AC | AGC_DIG_OUT | AGC_DIG_OUT register | 0 |
| 0x6C | 0x1B0 | DEMOD_DIG_OUT | DEMOD_DIG_OUT register | 0 |
| 0x6F | 0x1BC | AGC2_ANA_TST | AGC2_ANA_TST register | 0 |
| 0x70 | 0x1C0 | AGC0_DIG_ENG | AGC0_DIG_ENG register | 0 |
| 0x71 | 0x1C4 | AGC1_DIG_ENG | AGC1_DIG_ENG register | 0 |
| 0x7A | 0x1E8 | AGC10_DIG_ENG | AGC10_DIG_ENG register | 0 |
| 0x7B | 0x1EC | AGC11_DIG_ENG | AGC11_DIG_ENG register | 0 |
| 0x7C | 0x1F0 | AGC12_DIG_ENG | AGC12_DIG_ENG register | 0 |
| 0x7D | 0x1F4 | AGC13_DIG_ENG | AGC13_DIG_ENG register | 0 |
| 0x7E | 0x1F8 | AGC14_DIG_ENG | AGC14_DIG_ENG register | 0 |

| Address Offset 8-bit APB | | Register name | Description | Page link |
|-------------------------------|-------|--------------------|-------------------------------------|-----------|
| 0x7F | 0x1FC | AGC15_DIG_ENG | AGC15_DIG_ENG register | 0 |
| 0x80 | 0x200 | AGC16_DIG_ENG | AGC16_DIG_ENG register | 0 |
| 0x81 | 0x204 | AGC17_DIG_ENG | AGC17_DIG_ENG register | 0 |
| 0x82 | 0x208 | AGC18_DIG_ENG | AGC18_DIG_ENG register | 0 |
| 0x83 | 0x20C | AGC19_DIG_ENG | AGC19_DIG_ENG register | 0 |
| 0x89 | 0x224 | RXADC_HW_TRIM_OUT | RXADC HW trimming register | 0 |
| 0x8A | 0x228 | CBIAS0_HW_TRIM_OUT | CBIAS HW trimming register | 0 |
| 0x8C | 0x230 | AGC_HW_TRIM_OUT | AGC antenna HW trimming register | 0 |
| 0x90 | 0x240 | ANTSW_DIG0_USR | Antenna switching settings register | 0 |
| 0x91 | 0x244 | ANTSW_DIG1_USR | Antenna switching settings register | 0 |
| 0x92 | 0x248 | ANTSW_DIG2_USR | Antenna switching settings register | 0 |
| 0x93 | 0x24C | ANTSW_DIG3_USR | Antenna switching settings register | 0 |

25.5.2 Radio registers description

Table 132. AA0_DIG_USR register description

| Bit | Field name | Reset | RW | Description |
|------|--------------|-------|----|---|
| 7:0 | AA_7_0 | 0xD6 | RW | Least significant byte of the Bluetooth LE Access Address code. This register is (over)written by the Sequencer during 2 nd INIT step with the StatMach.accaddr[7:0] bit field. |
| 31:8 | RESERVED31_8 | 0x0 | R | Reserved. |

Table 133. AA1_DIG_USR register description

| Bit | Field name | Reset | RW | Description |
|------|--------------|-------|----|---|
| 7:0 | AA_15_8 | 0xBE | RW | Next byte of the Bluetooth LE access address code. This register is (over)written by the Sequencer during 2 nd INIT step with the StatMach.accaddr[15:8] bit field. |
| 31:8 | RESERVED31_8 | 0x0 | R | Reserved. |

Table 134. AA2_DIG_USR register description

| Bit | Field name | Reset | RW | Description |
|------|--------------|-------|----|---|
| 7:0 | AA_23_16 | 0x89 | RW | Next byte of the Bluetooth LE access address code This register is (over)written by the Sequencer during 2 nd INIT step with the StatMach.accaddr[23:16] bit field. |
| 31:8 | RESERVED31_8 | 0x0 | R | Reserved. |

Table 135. AA3_DIG_USR register description

| Bit | Field name | Reset | RW | Description |
|------|--------------|-------|----|--|
| 7:0 | AA_31_24 | 0x8E | RW | Next byte of the Bluetooth LE access address code. This register is (over)written by the Sequencer during 2 nd INIT step with the StatMach.accaddr[31:24] bit field. |
| 31:8 | RESERVED31_8 | 0x0 | R | Reserved. |

Table 136. DEM_MOD_DIG_USR register description

| Bit | Field name | Reset | RW | Description |
|------|--------------|-------|----|--|
| 0 | RESERVED0 | 0x0 | R | Reserved. |
| 7:1 | CHANNEL_NUM | 0x13 | RW | Index for internal lock-up table in which the synthesizer setup is contained. Formula for programmed frequency is: $2402 + (\text{CHANNEL_NUM} \times 2)$. Default value (0x13=19) corresponds to the Bluetooth LE RF channel 19: —▶ $2402 + (19 \times 2) = 2440$ MHz. This bit field is (over)written by the Sequencer during the 1st INIT. The value copied here is the output of the channel Incr and Hopping hardware block. Note: This bit field is used to generate the physical frequency on the antenna. |
| 31:8 | RESERVED31_8 | 0x0 | R | Reserved. |

Table 137. RADIO_FSM_USR register description

| Bit | Field name | Reset | RW | Description |
|------|----------------|-------|----|--|
| 0 | RESERVED0 | 0x0 | R | Reserved. |
| 1 | EN_CALIB_CBP | 0x0 | RW | CBP calibration enable bit. This bit is (over)written by the Bluetooth LE Sequencer with the TxRxPack.CalReq bit during the 1 st INIT step. Note: Both EN_CALIB_xx must be set or reset together (mixed configuration not recommended). |
| 2 | EN_CALIB_SYNTH | 0x1 | RW | SYNTH calibration enable bit. This bit is (over)written by the Bluetooth LE Sequencer with the TxRxPack.CalReq bit during the 1 st INIT step. |
| 7:3 | PA_POWER | 0x0 | RW | PA power coefficient. This bit is (over)written by the Bluetooth LE Sequencer with the StatMach.PAPower bit field during the 1 st INIT step. |
| 31:8 | RESERVED31_8 | 0x0 | R | Reserved. |

Table 138. PHYCTRL_DIG_USR register description

| Bit | Field name | Reset | RW | Description |
|------|--------------|-------|----|---|
| 2:0 | RXTXPHY | 0x0 | RW | RXTXPHY selection. This bit field is (over)written by the Bluetooth LE Sequencer during the 1 st INIT using the StatMach.RxPhy[2:0] or StatMach.TxPhy[2:0], depending on whether the transfer is a reception or a transmission. - 000: uncoded PHY 1 Mb/s - 001: uncoded PHY 2 Mb/s - 100: coded PHY S=8 1 Mb/s - 110: coded PHY S=2 1 Mb/s |
| 31:3 | RESERVED31_3 | 0x0 | R | Reserved. |

Table 139. AFC1_DIG_ENG register description

| Bit | Field name | Reset | RW | Description |
|------|------------------|-------|----|--|
| 3:0 | AFC_DELAY_AFTER | 0x4 | RW | Set the decay factor of the AFC loop after Access Address detection. |
| 7:4 | AFC_DELAY_BEFORE | 0x4 | RW | Set the decay factor of the AFC loop before Access Address detection . |
| 31:8 | RESERVED31_8 | 0x0 | R | Reserved. |

Table 140. CR0_DIG_ENG register description

| Bit | Field name | Reset | RW | Description |
|------|----------------|-------|----|--|
| 3:0 | CR_GAIN_AFTER | 0x4 | RW | Set the gain of the clock recovery loop before Access Address detection when the Coded PHY is in use |
| 7:4 | CR_GAIN_BEFORE | 0x4 | RW | Set the gain of the clock recovery loop after Access Address detection when the Coded PHY is in use |
| 31:8 | RESERVED31_8 | 0x0 | R | Reserved. |

Table 141. CR0_LR register description

| Bit | Field name | Reset | RW | Description |
|------|-------------------|-------|----|--|
| 3:0 | CR_LR_GAIN_AFTER | 0x6 | RW | Set the gain of the clock recovery loop after Access Address detection when the Coded PHY is in use |
| 7:4 | CR_LR_GAIN_BEFORE | 0x6 | RW | Set the gain of the clock recovery loop before Access Address detection when the Coded PHY is in use |
| 31:8 | RESERVED31_8 | 0x0 | R | Reserved. |

Table 142. VIT_CONF_DIG_ENG register description

| Bit | Field name | Reset | RW | Description |
|------|--------------|-------|----|---|
| 0 | VIT_EN | 0x0 | RW | VIT_EN: Viterbi enable 0: Viterbi is disabled 1: Viterbi is enabled |
| 1 | RESERVED_1 | 0x0 | RW | Reserved |
| 7:2 | SPARE | 0x0 | RW | Spare |
| 31:8 | RESERVED31_8 | 0x0 | R | Reserved |

Table 143. LR_PD_THR_DIG_ENG register description

| Bit | Field name | Reset | RW | Description |
|------|--------------|-------|----|----------------------------------|
| 7:0 | LR_PD_THR | 0x50 | RW | Preamble detect threshold value. |
| 31:8 | RESERVED31_8 | 0x0 | R | Reserved. |

Table 144. LR_RSSI_THR_DIG_ENG register description

| Bit | Field name | Reset | RW | Description |
|------|--------------|-------|----|-------------------------------|
| 7:0 | LR_RSSI_THR | 0x1B | RW | RSSI or peak threshold value. |
| 31:8 | RESERVED31_8 | 0x0 | R | Reserved. |

Table 145. LR_AAC_THR_DIG_ENG register description

| Bit | Field name | Reset | RW | Description |
|------|--------------|-------|----|--------------------------------------|
| 7:0 | LR_AAC_THR | 0x38 | RW | Address coded correlation threshold. |
| 31:8 | RESERVED31_8 | 0x0 | R | Reserved. |

Table 146. SYNTHCAL0_DIG_ENG register description

| Bit field | Field name | Reset | RW | Description |
|-----------|------------------------|-------|----|--|
| 3:0 | SYNTHCAL_DEBUG_BUS_SEL | 0x0 | RW | For debug purposes. Program 0xC to get the PLL calibration reason in SYNTHCAL3_DIG_OUT. |
| 5:4 | RESERVED5_4 | 0x0 | RW | Reserved. |
| 7:6 | SYNTH_IF_FREQ_CAL | 0x0 | RW | Define the frequency applied on the PLL during calibration phase. <ul style="list-style-type: none"> 00 (default): calibration is done between Rx and Tx frequencies (at freq_channel – 0.8MHz) 01: calibration is done at Tx frequency (at freq_channel) 10: calibration is done at Rx frequency (at freq_channel – 1.6 MHz) 11: reserved |
| 31:8 | RESERVED31_8 | 0x0 | R | Reserved. |

Table 147. DTB5_DIG_ENG register description

| Bit | Field name | Reset | RW | Description |
|------|------------------|-------|----|---|
| 0 | RXTX_START_SEL | 0x0 | RW | It enables the possibility to control some signals by the other register bits instead of system design: 0: the Radio FSM is controlled by the signals generated by the RRM and Sequencer 1: the Radio FSM is controlled by the bits of this register. |
| 1 | TX_ACTIVE | 0x0 | RW | Force TX_ACTIVE signal. |
| 2 | RX_ACTIVE | 0x0 | RW | Force RX_ACTIVE signal. |
| 3 | INITIALIZE | 0x0 | RW | Force INITIALIZE signal (emulate a token request of the IP_BLE). |
| 4 | PORT_SELECTED_EN | 0x0 | RW | Enable port selection. |
| 5 | PORT_SELECTED_0 | 0x0 | RW | Force port_selected[0] signal. |
| 31:6 | RESERVED31_6 | 0x0 | R | Reserved. |

Table 148. RXADC_ANA_USR register description

| Bit | Field name | Reset | RW | Description |
|------|---------------------------|-------|----|---|
| 2:0 | RFD_RXADC_DELAYTRIM_I | 0x3 | RW | ADC loop delay control bits for I channel to apply when SW overload is enabled |
| 5:3 | RFD_RXADC_DELAYTRIM_Q | 0x3 | RW | ADC loop delay control bits for Q channel to apply when SW overload is enabled |
| 6 | RXADC_DELAYTRIM_I_TST_SEL | 0x0 | RW | Enable the SW overload on RXADX delay trimming. 0: trimming applied on the analog block are the hardware loaded ones 1: trimming applied on the analog block are provided by the RFD_RXADC_DELAYTRIM_I[2:0] bit field (SW values) |
| 7 | RXADC_DELAYTRIM_Q_TST_SEL | 0x0 | RW | Enable the SW overload on RXADX delay trimming. 0: trimming applied on the analog block are the hardware loaded ones 1: trimming applied on the analog block are provided by the RFD_RXADC_DELAYTRIM_Q[2:0] bit field (SW values) |
| 31:8 | RESERVED31_8 | 0x0 | R | Reserved. |

Table 149. LDO_ANA_ENG register description

| Bit | Field name | Reset | RW | Description |
|------|------------------------|-------|----|--|
| 0 | RFD_RF_REG_BYPASS | 0x0 | RW | RF_REG level bypass mode: - 0: bypass mode disabled - 1: RF_REG in bypass mode |
| 1 | RFD_LDO_TRANSFO_BYPASS | 0x0 | RW | VDD level bypass mode - 0: bypass mode disabled - 1: LDO in bypass mode |
| 31:2 | RESERVED31_2 | 0x0 | R | Reserved. |

Table 150. CBIAS0_ANA_ENG register description

| Bit | Field name | Reset | RW | Description |
|------|----------------------|-------|----|---|
| 3:0 | RFD_CBIAS_IBIAS_TRIM | 0x8 | RW | Ibias current trimming to apply when SW overload is enabled |
| 7:4 | RFD_CBIAS_IPTAT_TRIM | 0x8 | RW | Ibias current trimming to apply when SW overload is enabled |
| 31:8 | RESERVED31_8 | 0x0 | R | Reserved. |

Table 151. CBIAS1_ANA_ENG register description

| Bit | Field name | Reset | RW | Description |
|------|---------------------|-------|----|---|
| 4:0 | RESERVED4_0 | 0x0 | R | Reserved. |
| 6:5 | SPARE | 0x0 | R | Reserved. |
| 7 | CBIAS0_TRIM_TST_SEL | 0x0 | RW | Enable the SW overload on the CBIAS IPTAT and IBIAS trimming: - 0: trimming applied on the analog block are the hardware loaded ones - 1: trimming applied on the analog block are provided by the CBIAS0_ANA_ENG bit fields (SW values). |
| 31:8 | RESERVED31_8 | 0x0 | R | Reserved. |

Table 152. SYNTHCAL0_DIG_OUT register description

| Bit | Field name | Reset | RW | Description |
|------|--------------------|-------|----|-------------------|
| 6:0 | VCO_CALAMP_OUT_6_0 | 0x0 | R | VCO CALAMP value. |
| 31:7 | RESERVED31_7 | 0x0 | R | Reserved. |

Table 153. SYNTHCAL1_DIG_OUT register description

| Bit | Field name | Reset | RW | Description |
|-----|---------------------|-------|----|-------------------|
| 3:0 | VCO_CALAMP_OUT_10_7 | 0x1 | R | VCO CALAMP value. |
| 1:4 | RESERVED31_4 | 0x0 | R | Reserved. |

Table 154. SYNTHCAL2_DIG_OUT register description

| Bit | Field name | Reset | RW | Description |
|------|-----------------|-------|----|--------------------|
| 6:0 | VCO_CALFREQ_OUT | 0x40 | R | VCO CALFREQ value. |
| 31:7 | RESERVED31_7 | 0x0 | R | Reserved. |

Table 155. SYNTHCAL3_DIG_OUT register description

| Bit | Field name | Reset | RW | Description |
|------|--------------------|-------|----|--|
| 7:0 | SYNTHCAL_DEBUG_BUS | 0x0 | R | Calibration debug bus. Provide PLL calibration error details when SYNTHCAL0_DIG_ENG = 0xC: - bit[7:4]: 0000 - bit3: CAL_ERROR - bit2: CALAMP_ERROR - bit1: CALFREQ_ERROR - bit0: CALKVCO_ERROR |
| 31:8 | RESERVED31_8 | 0x0 | R | Reserved. |

Table 156. SYNTHCAL4_DIG_OUT register description

| Bit | Field name | Reset | RW | Description |
|------|----------------------|-------|----|-------------------|
| 5:0 | MOD_REF_DAC_WORD_OUT | 0x18 | R | Calibration word. |
| 7:6 | RESERVED7_6 | 0x0 | R | Reserved. |
| 31:8 | RESERVED31_8 | 0x0 | R | Reserved. |

Table 157. . SYNTHCAL5_DIG_OUT register description

| Bit | Field name | Reset | RW | Description |
|------|----------------|-------|----|-----------------------|
| 3:0 | CBP_CALIB_WORD | 0x7 | R | CBP calibration word. |
| 31:4 | RESERVED31_4 | 0x0 | R | Reserved. |

Table 158. FSM_STATUS_DIG_OUT register description

| Bit | Field name | Reset | RW | Description |
|------|-----------------|-------|----|---|
| 4:0 | STATUS | 0x0 | R | STATUS: RF FSM state: - 00000: IDLE - 00001: ACTIVE1 - 00010: ENA_RF_REG - 00011: ENA_CURR - 00100: ACTIVE2 - 00101 to 01111: Not used - 10000: ENA_TRANSFO_LDO - 10001: SYNTH_SETUP - 10010: CALIB10 - 10011: CALIB01 - 10100: CALIB11 - 10101: LOCKRXTX - 10110: Not used - 10111: Not used - 11000: EN_RX - 11001: EN_PA - 11010: Rx - 11011: RX_802_RESET - 11100: Tx - 11101: Not used - 11110: PA_DWN_ANA - 11111: Not used |
| 6:5 | RESERVED6_5 | 0x0 | R | Reserved. |
| 7 | SYNTH_CAL_ERROR | 0x0 | R | PLL calibration error. |
| 31:8 | RESERVED31_8 | 0x0 | R | Reserved. |

Table 159. RSSI0_DIG_OUT register description

| Bit | Field name | Reset | RW | Description |
|------|-------------------|-------|----|--|
| 7:0 | RSSI_MEAS_OUT_7_0 | 0x8 | R | Measure of the received signal strength. |
| 31:8 | RESERVED31_8 | 0x0 | R | Reserved. |

Table 160. RSSI1_DIG_OUT register description

| Bit | Field name | Reset | RW | Description |
|------|--------------------|-------|----|--|
| 7:0 | RSSI_MEAS_OUT_15_8 | 0x8 | R | Measure of the received signal strength. |
| 31:8 | RESERVED31_8 | 0x0 | R | Reserved. |

Table 161. AGC_DIG_OUT register description

| Bit | Field name | Reset | RW | Description |
|------|--------------|-------|----|------------------------|
| 3:0 | AGC_ATT_OUT | 0x0 | R | AGC attenuation value. |
| 31:4 | RESERVED31_4 | 0x0 | R | Reserved. |

Table 162. DEMOD_DIG_OUT register description

| Bit | Field name | Reset | RW | Description |
|------|--------------|-------|----|-------------|
| 1:0 | CI_FIELD | 0x0 | R | CI field |
| 2 | AAC_FOUND | 0x0 | R | aac_found |
| 3 | PD_FOUND | 0x0 | R | pd_found |
| 4 | RX_END | 0x0 | R | rx_end |
| 31:5 | RESERVED31_5 | 0x0 | R | Reserved. |

Table 163. AGC2_ANA_TST register description

| Bit | Field name | Reset | RW | Description |
|------|-----------------------|-------|----|---|
| 0 | AGC2_ANA_TST_SEL | 0x0 | RW | Selection - 0: default value is 0 (normal mode): the AGC antenna trimming value comes from the SoC integrating the MR_BLE IP - 1: forced by this register (test mode): the AGC antenna trim value comes from the AGC2_ANA_TST[3:1] bit field value. |
| 3:1 | AGC_ANTENNAE_USR_TRIM | 0x0 | RW | AGC trimming. |
| 31:4 | RESERVED31_4 | 0x0 | R | Reserved. |

Table 164. AGC0_DIG_ENG register description

| Bit | Field name | Reset | RW | Description |
|------|--------------|-------|----|---------------------|
| 5:0 | AGC_THR_HIGH | 0xA | RW | High AGC threshold. |
| 6 | AGC_ENABLE | 0x0 | RW | Enable AGC. |
| 31:7 | RESERVED31_7 | 0x0 | R | Reserved. |

Table 165. AGC1_DIG_ENG register description

| Bit | Field name | Reset | RW | Description |
|------|---------------|-------|----|---|
| 5:0 | AGC_THR_LOW_6 | 0x04 | RW | Low threshold for 6dB steps. |
| 6 | AGC_AUTOLOCK | 0x0 | RW | AGC locks when level is steady between high threshold and lock threshold. |
| 7 | AGC_LOCK_SYNC | 0x0 | RW | AGC locks when Access Address is detected (recommended). |
| 31:8 | RESERVED31_8 | 0x0 | R | Reserved. |

Table 166. AGC10_DIG_ENG register description

| Bit | Field name | Reset | RW | Description |
|------|--------------|-------|----|-------------------------|
| 5:0 | ATT_0 | 0x0 | RW | Mapping for AGC step 0. |
| 31:6 | RESERVED31_6 | 0x0 | R | Reserved. |

Table 167. AGC11_DIG_ENG register description

| Bit | Field name | Reset | RW | Description |
|------|--------------|-------|----|-------------------------|
| 5:0 | ATT_1 | 0x10 | RW | Mapping for AGC step 1. |
| 31:6 | RESERVED31_6 | 0x0 | R | Reserved. |

Table 168. AGC12_DIG_ENG register description

| Bit | Field name | Reset | RW | Description |
|------|--------------|-------|----|-------------------------|
| 5:0 | ATT_2 | 0x0 | RW | Mapping for AGC step 2. |
| 31:6 | RESERVED31_6 | 0x0 | R | Reserved. |

Table 169. AGC13_DIG_ENG register description

| Bit | Field name | Reset | RW | Description |
|------|--------------|-------|----|-------------------------|
| 5:0 | ATT_3 | 0x10 | RW | Mapping for AGC step 3. |
| 31:6 | RESERVED31_6 | 0x0 | R | Reserved. |

Table 170. AGC14_DIG_ENG register description

| Bit | Field name | Reset | RW | Description |
|------|--------------|-------|----|-------------------------|
| 5:0 | ATT_4 | 0x18 | RW | Mapping for AGC step 4. |
| 31:6 | RESERVED31_6 | 0x0 | R | Reserved. |

Table 171. AGC15_DIG_ENG register description

| Bit | Field name | Reset | RW | Description |
|------|--------------|-------|----|-------------------------|
| 5:0 | ATT_5 | 0x19 | RW | Mapping for AGC step 5. |
| 31:6 | RESERVED31_6 | 0x0 | R | Reserved. |

Table 172. AGC16_DIG_ENG register description

| Bit | Field name | Reset | RW | Description |
|------|--------------|-------|----|-------------------------|
| 5:0 | ATT_6 | 0x1A | RW | Mapping for AGC step 6. |
| 31:6 | RESERVED31_6 | 0x0 | R | Reserved. |

Table 173. AGC17_DIG_ENG register description

| Bit | Field name | Reset | RW | Description |
|------|--------------|-------|----|-------------------------|
| 5:0 | ATT_7 | 0x1B | RW | Mapping for AGC step 7. |
| 31:6 | RESERVED31_6 | 0x0 | R | Reserved. |

Table 174. AGC18_DIG_ENG register description

| Bit | Field name | Reset | RW | Description |
|------|--------------|-------|----|-------------------------|
| 5:0 | ATT_8 | 0x1C | RW | Mapping for AGC step 8. |
| 31:6 | RESERVED31_6 | 0x0 | R | Reserved. |

Table 175. AGC19_DIG_ENG register description

| Bit | Field name | Reset | RW | Description |
|------|--------------|-------|----|-------------------------|
| 5:0 | ATT_9 | 0x1D | RW | Mapping for AGC step 9. |
| 31:6 | RESERVED31_6 | 0x0 | R | Reserved. |

Table 176. RXADC_HW_TRIM_OUT register description

| Bit | Field name | Reset | RW | Description |
|------|----------------------|-------|----|---|
| 2:0 | HW_RXADC_DELAYTRIM_I | 0x3 | R | Control bits of the Rx ADC loop delay for I channel (provided by the hardware trimming, automatically loaded on POR). |
| 5:3 | HW_RXADC_DELAYTRIM_Q | 0x3 | R | Control bits of the Rx ADC loop delay for Q channel (provided by the hardware trimming, automatically loaded on POR). |
| 31:6 | RESERVED31_6 | 0x0 | R | Reserved. |

Table 177. CBIAS0_HW_TRIM_OUT register description

| Bit | Field name | Reset | RW | Description |
|------|---------------------|-------|----|--|
| 3:0 | HW_CBIAS_IBIAS_TRIM | 0x8 | R | CBIAS current trimming (provided by the hardware trimming, automatically loaded on POR). |
| 7:4 | HW_CBIAS_IPTAT_TRIM | 0x7 | R | CBIAS current trimming (provided by the hardware trimming, automatically loaded on POR). |
| 31:8 | RESERVED31_8 | 0x0 | R | Reserved. |

Table 178. AGC_HW_TRIM_OUT register description

| Bit | Field name | Reset | RW | Description |
|------|----------------------|-------|----|--|
| 0 | RESERVED | 0x0 | R | Reserved. |
| 3:1 | HW_AGC_ANTENNAE_TRIM | 0x3 | R | AGC trim value (provided by the hardware trimming, automatically loaded on POR). Note: This value depends on the RF BOM on the board. Value provided by engineering is based on a dedicated BOM and must be overloaded by SW if the user selects/defines another BOM. |
| 31:4 | RESERVED31_4 | 0x0 | R | Reserved. |

Table 179. ANTSW0_DIG_USR register description

| Bit | Field name | Reset | RW | Description |
|------|-------------------|-------|----|--|
| 7:0 | RX_TIME_TO_SAMPLE | 0x1C | RW | Specifies the exact timing of the first I/Q sampling in the reference period. Time unit is 250 ns. Note: the value of this register is an offset to apply to a hard-coded 4.5 μ s delay. The global delay (4.5 μ s + programmable offset) is started from an internal trigger occurring before the Guard period on the air. The RX_TIME_TO_SAMPLE and RX_TIME_TO_SWITCH share the same internal trigger. |
| 31:8 | RESERVED | 0x0 | R | Reserved. |

Table 180. ANTSW1_DIG_USR register description

| Bit | Field name | Reset | RW | Description |
|------|-------------------|-------|----|---|
| 7:0 | RX_TIME_TO_SWITCH | 0xB | RW | Specifies the exact timing of the antenna switching at receiver level (in AoA). Time unit is 250 ns. Note: the timing defined in this register is a delay from an internal trigger occurring before the Guard period on the air. The RX_TIME_TO_SAMPLE and RX_TIME_TO_SWITCH share the same internal trigger. |
| 31:8 | RESERVED | 0x0 | R | Reserved. |

Table 181. ANTSW2_DIG_USR register description

| Bit | Field name | Reset | RW | Description |
|-----|-------------------|-------|----|--|
| 7:0 | TX_TIME_TO_SWITCH | 0x29 | RW | Specifies the exact timing of the antenna switching during transmission at LE_1M baud rate (in AoD). |

| Bit | Field name | Reset | RW | Description |
|------|------------|-------|----|---|
| | | | | Time unit is 125 ns. Note: the timing defined in this register is a delay from an internal trigger occurring before the Guard period on the air (when transmit block starts sending the CTE to the modulator). |
| 31:8 | RESERVED | 0x0 | R | Reserved. |

Table 182. ANTSW3_DIG_USR register description

| Bit | Field name | Reset | RW | Description |
|------|----------------------|-------|----|--|
| 7:0 | TX_TIME_TO_SWITCH_2M | 0x23 | RW | Specifies the exact timing of the antenna switching during transmission at LE_2M baud rate (in AoD). Time unit is 125 ns. Note: the timing defined in this register is a delay from an internal trigger occurring before the Guard period on the air (when transmit block starts sending the CTE to the modulator). The modulator latency differs between 1 Mb/s and 2 Mb/s baud rate so 2 different delays need to be managed. |
| 31:8 | RESERVED31_8 | 0x0 | R | Reserved. |

25.5.3 Trimming information

The MR_BLE loads automatically hardware trimming information located in the flash memory of the SoC.

The trimmed information is:

- Rx ADC delay for I and for Q channels
- IPTAT and BIAS current trimming for CBIAS block
- AGC trimming

Those trimming values are automatically loaded by the hardware on reset and low-power mode exit.

The loaded values are readable in dedicated radio registers (xx_HW_TRIM_OUT).

The AGC user trimming can be impacted by the BOM on the user board and may need to be overloaded. The SW can overload / replace the hardware value.

The AGC trimming consists of 1 piece of information:

- AGC_ANTENNAE_TRIM_I
 - Hardware value readable in AGC_HW_TRIM_OUT[3:1] = HW_AGC_ANTENNAE_TRIM[2:0]
 - SW value writable in AGC2_ANA_TST[3:1] = AGC_ANTENNAE_USR_TRIM[2:0]
 - SW overload feature activation through AGC2_ANA_TST[0] = AGC2_ANA_TST_SEL

The hardware values are reloaded on any reset and low-power mode exit.

The SW values must be re-written after any reset or low-power mode.

25.6 Radio FSM

The Radio FSM manages the analog radio block startup and stop sequences depending on requesting RF transfer.

25.6.1 Radio FSM sequences

This section lists the main steps in the radio FSM sequence.

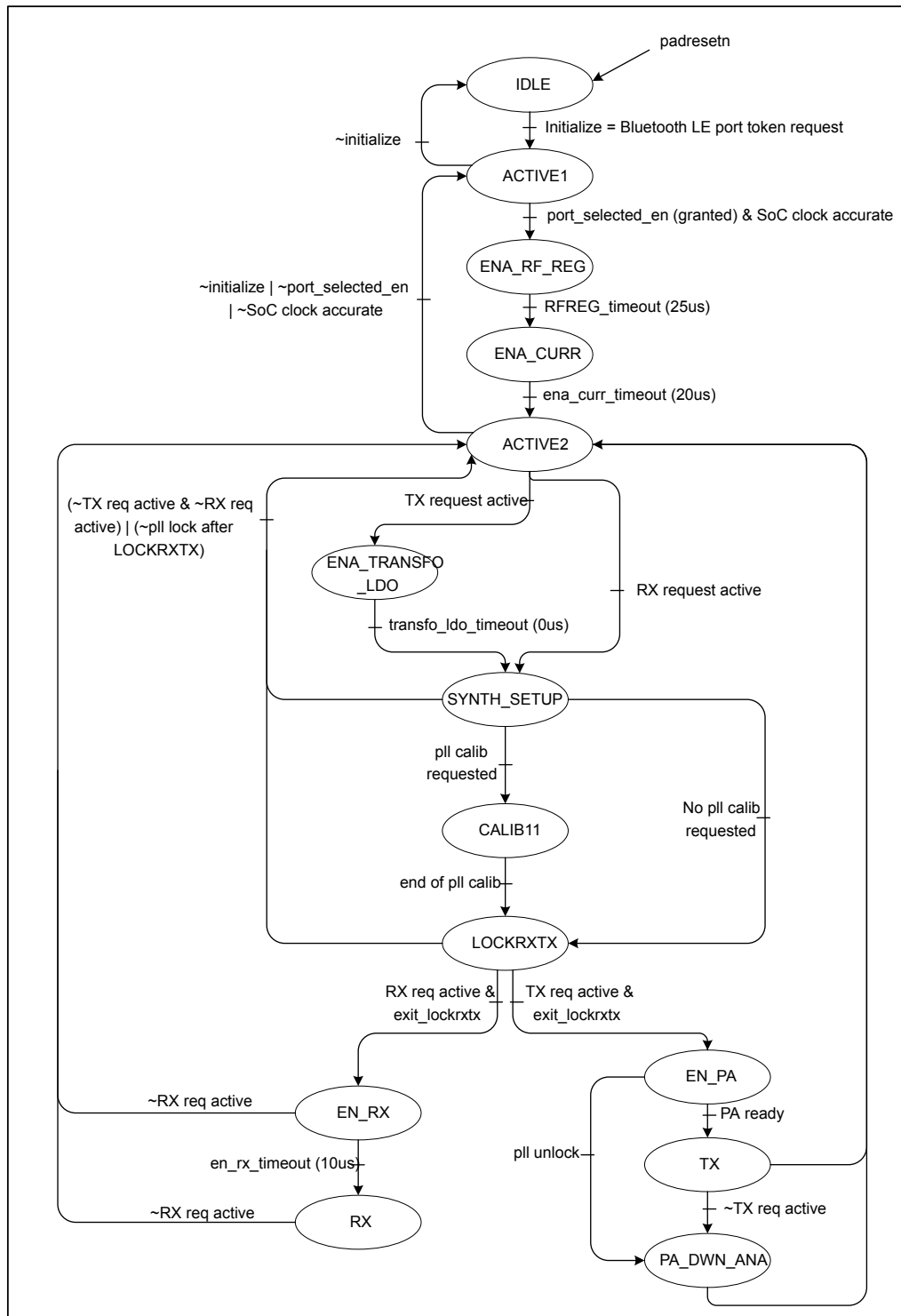
- The radio FSM stays in IDLE as long as the IP_BLE does not request the RRM token to indicate that the radio is about to be used.
- Once the token is requested, the radio FSM switches to ACTIVE1.
- When the device switches on the accurate fast clock (external XO) AND if the RRM semaphore granted one port (whatever the port), the radio FSM goes to ACTIVE2 (through a few intermediate steps to start RF LDO and central bias current).
- Once an Rx or Tx request is received, the radio FSM switches to the Rx or Tx through intermediate steps to set up properly the analog.

- The radio FSM goes back:
 - to ACTIVE2 as soon as Rx or Tx request is cleared and back to ACTIVE1 if the accurate clock is replaced by the dirty one
 - to IDLE if no more ports request a token to the RRM semaphore.

Figure 199. Radio FSM overview provides an overview of the RF FSM states sequence.

Some transitions are triggered by hardware signals, but others are managed through timeout.

Section 25.6.2: Radio FSM states overview lists the different timeouts.

Figure 199. Radio FSM overview


25.6.2 Radio FSM states overview

The table below lists, for each state, the exit condition and the duration in the state when there is a deterministic one.

Table 183. Radio FSM states summary (including exit conditions and timings)

| Radio FSM state | State description | Condition to exit and duration in the state |
|-------------------------|---|--|
| IDLE | No RF activity requested: the analog RF IP is OFF | The Bluetooth® Low Energy link layer requests a token to the RRM semaphore |
| ACTIVE1 | Wait for port granted and SoC accurate clock indication | Both hardware conditions are fulfilled |
| ENA_RF_REG | Enable the RF LDO | Timeout = 25 µs |
| ENA_CURR | Enable the reference current block inside the RF2G4 | Timeout = 20 µs |
| ACTIVE2 | This state confirms that all clock and power conditions are OK to accept an RF transfer request | Tx or Rx request occurrence |
| ENA_TRANSFO_LDO | Enable the LDO for the power amplifier | Timeout = 0 µs |
| SYNTH_SETUP | Start the RF PLL block | No timeout. Exit immediately (1 MR_BLE clock cycle duration) |
| CALIB11 | Start the PLL calibration block | End of calibration hardware information |
| LOCKRXTX ⁽¹⁾ | Wait for RF PLL lock | Timeout = <ul style="list-style-type: none"> • 40 µs when no PLL calibration • 80 µs when PLL calibration |
| EN_RX | Enable the analog Rx chain | Timeout = 10 µs |
| Rx | Radio is in reception mode | End of Rx event (Rx timeout, Rx done...) |
| EN_PA ⁽¹⁾ | Start the power ramp-up sequence (8 steps) up to targeted power on the antenna | Ready signal informing targeted Tx power is reached on the antenna (8 steps of 1.5 µs = 12 µs) |
| Tx | Radio is in transmission mode | End of Tx event (Tx done or skipped) |
| PA_DWN_ANA | Disable the power amplifier block | Timeout = 5 µs |

1. The radio FSM may abort the sequence and return to ACTIVE2 from those two states depending on RF PLL lock information:

- LOCKRXTX: the decision occurs at the very end of the state to decide if the sequence should continue (PLL locked) or abort (PLL lock failed)
- EN_PA: the decision to abort can occur at any time inside this state as soon as the RF PLL is no longer locked (PLL unlocked)

If the PLL unlock event occurs outside those two states, the radio FSM does not interfere. The SW is informed through an interrupt and is in charge of managing the situation.

The current state information is available in the FSM_STATUS_DIG_OUT radio register accessible by direct APB access (see [Section 25.5.1: Radio register list](#)).

The radio FSM uses timeout to exit states linked to analog block settlement to guarantee a deterministic duration between ACTIVE2 and Tx or Rx state at any occurrence. This is mandatory to be able to fit with Bluetooth protocol timings requirements in a peer-to-peer communication flow.

Those deterministic durations are presented in the table below.

Table 184. ACTIVE2 to Tx or Rx state duration

| Sequence | Duration | Comments |
|---|----------|---|
| ACTIVE2 → Tx with RF PLL calibration | 92 µs | To be used when the Tx is done on a new frequency (channel) versus the previous RF transfer |
| ACTIVE2 → Tx without RF PLL calibration | 52 µs | To be used when the Tx is done on the same frequency (channel) as the previous RF transfer |
| ACTIVE2 → Rx with RF PLL calibration | 90 µs | To be used when the Rx is done on a new frequency (channel) versus the previous RF transfer |
| ACTIVE2 → Rx without RF PLL calibration | 50 µs | To be used when the Rx is done on the same frequency (channel) as the previous RF transfer |

25.6.3 Radio FSM interrupts

The Radio FSM provides a dedicated interrupt output signal to the system.

The Radio FSM generates 6 (2 are reserved) individually maskable interrupts grouped in an RfFsm_event[5:0] list:

- RfFsm_event[0] = PLL Lock timeout
 - set when the counter to exit LOCKRXTX expires
 - whatever the lock status (PLL locked or not locked at timer expiration)
- RfFsm_event[3] = PLL unlock detection
 - set when the PLL lock signal falls after the lock detection step.
- RfFsm_event[4] = PLL lock failed
 - set if the PLL lock is not high when the Radio FSM exits the LOCKRXTX state
 - or set if the PLL is no more locked during EN_PA state or on exit of EN_PA state
- RfFsm_event[5] = PLL calibration error
 - set if a PLL calibration error occurs during PLL calibration step.
 - Problems can concern the amplitude calibration and/or the frequency calibration and/or the KVCO calibration.
 - In this case, the detail can be read in SYNTH3_DIG_OUT[3:0] if SYNTHCAL0_DIG_ENG[3:0] = 0xC:
 - SYNTHCAL3_DIG_OUT[3] = CAL_ERROR
 - SYNTHCAL3_DIG_OUT[2] = CALAMP_ERROR
 - SYNTHCAL3_DIG_OUT[1] = CALFREQ_ERROR
 - SYNTHCAL3_DIG_OUT[0] = CALKVCO_ERROR

All the sources are combined into a single signal to be connected outside the IP_BLE to the interrupt controller of the SoC (see [Table 115. Interruption summary](#) for mapping in STM32WB05xZ).

The interrupts can be enabled/disabled individually through the radio controller APB registers:

- Enable/disable through RADIO_CONTROL_IRQ_ENABLE register
- Reading the RADIO_CONTROL_IRQ_STATUS register returns the interrupts status
- Writing a '1' to the RADIO_CONTROL_IRQ_STATUS[x] clears the associated interrupt flag.

See [Section 25.7.3: Radio controller registers](#) for more details.

25.7 Radio controller

The radio controller is a small block in charge of two features:

- Slow clock period measurement
- Radio FSM interrupt management

25.7.1 Slow clock measurement

The radio controller contains a block dedicated to the slow clock measurement.

This measurement:

- is launched automatically by the hardware when the system clock switches on accurate clock (external XO).
- can be launched by the software when needed (by writing zero in CLK32K_PERIOD register)

The result provided by this block is both a period and a frequency information (in two separate results registers). The software can program the window of measurement (in slow clock cycle number) and the period result is provided in 16 MHz half-period unit.

25.7.2 Radio FSM interrupt management

During the sequences, the Radio FSM generates some interruptions to monitor some unexpected behavior at analog level. As the Radio FSM block does not have any APB interface, the interrupt control and status flags are managed inside the radio controller block through APB registers:

- RADIO_CONTROL_IRQ_ENABLE register to enable the wanted interrupt sources.
- RADIO_CONTROL_IRQ_STATUS register to get the status (on read) and to clear the interrupt (by writing '1' on the associated bit).

See Section 25.6.3: Radio FSM interrupts for more details on interrupt root causes.

25.7.3 Radio controller registers

25.7.3.1 Radio controller register list

The RADIO_CONTROL_BLOCKBaseAddress keyword used for all the register base address information corresponds to the Radio Controller registers base address decided by the SoC when integrating the IP.

Note: **RADIO_CONTROL_BLOCKBaseAddress** is 0x6000_1000 in the STM32WB05xZ product.

Table 185. Radio Controller registers list

| Address offset | Name | RW | Reset | Description |
|----------------|--------------------------|----|------------|---|
| 0x00 | RADIO_CONTROL_ID | R | 0x00001000 | MR_BLE ID/version register |
| 0x04 | CLK32COUNT_REG | RW | 0x00000017 | Window length register |
| 0x08 | CLK32PERIOD_REG | R | 0x00000000 | Slow clock period register |
| 0x0C | CLK32FREQUENCY_REG | R | 0x00000000 | Slow clock frequency register |
| 0x10 | RADIO_CONTROL_IRQ_STATUS | RW | 0x00000000 | Radio controller interrupt status register |
| 0x14 | RADIO_CONTROL_IRQ_ENABLE | RW | 0x00000000 | Radio controller interrupt control register |

25.7.3.2 Radio controller registers

Table 186. RADIO_CONTROL_ID register description

| Bit | Field name | Reset | RW | Description |
|-------|---------------|-------|----|---|
| 31:16 | RESERVED31_16 | 0x0 | R | Reserved |
| 15:12 | PRODUCT | 0x02 | R | Incremented on major features add-on like new Bluetooth® Low Energy SIG version support |
| 11:8 | VERSION | 0x1 | R | Cut number |
| 7:4 | REVISION | 0x0 | R | Incremented for metal fix version |
| 3:0 | RESERVED3_0 | 0x0 | R | Reserved |

Table 187. CLK32COUNT_REG register description

| Bit | Field name | Reset | RW | Description |
|------|--------------|-------|----|--|
| 8:0 | SLOW_COUNT | 0x17 | RW | Program the window length (in slow clock period) for slow clock measurement. Slow clock is measured in a window of SLOW_COUNT+1 slow clock cycles. Note: - when programming 0xFF, the window is 256 slow clock cycles - to obtain a good behavior, using not less than 0x17 is recommended |
| 31:9 | RESERVED31_9 | 0x0 | R | Reserved |

Table 188. CLK32PERIOD_REG register description

| Bit | Field name | Reset | RW | Description |
|-------|---------------|-------|----|--|
| 18:0 | SLOW_PERIOD | 0x0 | RW | <p>Indicates slow clock period information. The result provided in this field corresponds to the length of SLOW_COUNT periods of the slow clock (32 kHz) measured in 16 MHz half-period unit.</p> <p>Example: if SLOW_COUNT=0x17=23d and SLOW_PERIOD=24000d -> slow clock period = SLOW_PERIOD / (16e6 x 2 x (SLOW_COUNT+1)) = 24000 / (16e6 x 2 x 24) = 31.25e-6</p> <p>A new calculation can be launched by writing zero in the CLK32PERIOD register. In this case, the time window uses the value programmed in the SLOW_COUNT field.</p> |
| 31:19 | RESERVED31_19 | 0x0 | R | Reserved |

Table 189. CLK32FREQUENCY_REG register description

| Bit | Field name | Reset | RW | Description |
|-------|----------------|-------|----|---|
| 26:0 | SLOW_FREQUENCY | 0x0 | R | Value equal to $(2^{39} / \text{SLOW_PERIOD})$. |
| 31:27 | RESERVED31_27 | 0x0 | R | Reserved |

Table 190. RADIO_CONTROL_IRQ_STATUS register description

| Bit | Field name | Reset | RW | Description |
|-------|---------------|-------|----|---|
| 0 | SLOW_CLK_IRQ | 0x0 | RW | <p>Slow clock measurement end of calculation interrupt status</p> <p>When read: - 0: no pending interrupt - 1: pending interrupt: slow clock period/frequency values are available.</p> <p>Write '1' to clear the interrupt.</p> |
| 7:1 | RESERVED7_1 | 0x0 | R | Reserved |
| 13:8 | RADIO_FSM_IRQ | 0x0 | RW | <p>Radio FSM interrupt status (aka RfFsm_event_irq).</p> <p>-0: no pending interrupt -1: pending interrupt</p> <p>RfFsm_event [5] = PLL calibration error RfFsm_event [4] = PLL lock failed RfFsm_event [3] = PLL unlock detection RfFsm_event [2] = reserved RfFsm_event [1] = reserved RfFsm_event [0] = lock_timeout</p> <p>Write '1' to clear the interrupt</p> |
| 31:14 | RESERVED31_14 | 0x0 | R | Reserved |

Table 191. RADIO_CONTROL_IRQ_ENABLE register description

| Bit | Field name | Reset | RW | Description |
|-------|--------------------|-------|----|--|
| 0 | SLOW_CLK_IRQ_MASK | 0x0 | RW | Mask slow clock measurement interrupt 0: interrupt disabled 1: interrupt enabled |
| 7:1 | RESERVED7_1 | 0x0 | R | Reserved |
| 13:8 | RADIO_FSM_IRQ_MASK | 0x0 | RW | Mask for each RfFsm_event (Radio FSM) interrupt. - 0: Interrupt disabled - 1: Interrupt enabled. |
| 31:14 | RESERVED31_14 | 0x0 | R | Reserved |

25.8 IP_BLE

The Bluetooth LE link layer of the IP_BLE is a programmable automate which can act as a central or a peripheral .

The Bluetooth LE link layer embeds a Sequencer which automatically reads data and job request from link tables and link lists prepared in advance by the CPU in retention RAM. This allows the Bluetooth LE link layer to start a Bluetooth LE reception or transmission directly at low-power mode exit while the CPU is still booting and not yet able to manage any firmware action.

25.8.1 Overview

The IP_BLE embeds:

- a Bluetooth Link layer
- a modulator
- a demodulator

The Bluetooth LE link layer manages:

- the reception and transmission sequences including channel hopping,
- on-the-fly encryption thanks to an embedded AES (which can also be used by the SW to compute LE privacy and manual encryption),
- the antenna switching feature

The Bluetooth LE link layer embeds a Sequencer which uses information located in RAM tables to manage the RF transfer and part of the Bluetooth LE protocol. Those RAM tables need to be prepared by the SW.

In general, the process to generate a Bluetooth LE transfer is the following:

- the CPU prepares some tables in RAM containing information about the next Bluetooth LE transfer(s)
- the CPU programs one of the 3 possible timers that triggers/starts a sequence
- When the selected timer matches the programmed value, the Sequencer starts to execute a Bluetooth LE sequence. This implies:
 - to read the RAM table to know what to do,
 - to (re-)program the radio register if needed,
 - to launch the Radio FSM with an Rx or Tx request depending on requested transfer.
 - once the analog RF is ready to transmit (respectively receive), to read the data payload from RAM (respectively to write the data payload in RAM)
- Once the sequence is done (successfully or with errors), the Sequencer writes back in RAM updated information (flags, pointers, etc.)

Once RAM write-back is over, the Sequencer sends an interrupt to the CPU, related to interrupt mask programmed by the CPU (through the RAM table).

25.8.2 Bluetooth LE link layer Sequencer

The Sequencer needs a trigger event to start any action.

Then the Sequencer manages a transmission or reception (or no) sequence depending on the RAM table content it reads.

25.8.2.1 Possible trigger timers for the Sequencer

Three different timers can trigger a Bluetooth LE link layer sequence:

1. Wakeup timer event

- this timer is inside the wakeup block and is the only one able to wake up the IP_BLE (and the SoC) from a low-power state
- this timer is based on absolute time (slow clock granularity)
- this timer is enabled by setting the BLUE_SLEEP_REQUEST_MODE[30] = BLUE_WAKEUP_EN bit and the trigger event time is programmed in the BLUE_WAKEUP_TIME[31:0]
- if an RRM command is enabled (through the StatMach table, RadioComListEna field), the sequencer requests the Command0 to the RRM-UDRA block during the sequence.

2. Timer1 timer

- this timer is managed by the IP_BLE Sequencer itself but using the interpolated time
- the granularity of this counter is 16 x slow clock period
- this timer is enabled by setting timeout
- the Timer1 trigs an event when the current interpolated time matches (or has gone past) the scheduled time programmed in the TIMEOUTREG APB register
- this timer cannot be used in low-power mode
- if an RRM command is enabled (through the StatMach table, RadioComListEna field), the Sequencer requests the Command1 to the RRM-UDRA block during the sequence.

3. Timer2 timer

- this timer is based on a relative time and starts counting at the end of the previous transmission/reception
- the granularity of this counter is 1 μ s
- this timer is a counter located inside the Sequencer of the Bluetooth LE link layer and cannot be used in low power mode
- the Timer2 trigs an event when the counter matches the value programmed in the Timer2[19:0] bit field of the TxRxPack RAM table
- this timer is enabled by setting the Timer2En bit in the TxRxPack RAM table of a sequence, allowing a trigger event for the next sequence (Tx/Rx sequence)
- this timer is supposed to be used for short time delay between two Bluetooth transfers
- if an RRM command is enabled (through the StatMach table, RadioComListEna field), the Sequencer requests the Command2 to the RRM-UDRA block during the sequence.

Ways to manage those 3 timers:

The 3 timers are managed (enabled/disabled) in a different way. The goal of the section below is to explain how to manage according to the use-case.

Each timer is one-shot. This means once it expires, it stops and the software has to reprogram/re-enable it for a new sequence.

Furthermore, as there is no mechanism to prevent more than one timer to be active at the same time, the software must ensure it does not start a timer while another one is already on-going for the next sequence.

Here is a summary of the enable/disable method for each timer:

- the wakeup timer is enabled and programmed through the wakeup BLUE_WAKEUP_TIME APB register and has no interference with the two others so may be enabled in addition to Timer1 or Timer2.
- the Timer1:
 - duration is programmed only through the IP_BLE TimeoutDestReg APB register
 - enable is done only through the IP_BLE TimeoutDestReg APB register
 - disable can be done through the IP_BLE TimeoutDestReg APB register
 - a hardware disable is automatically done by the Sequencer when it treats the Timer2 enable information in the TxRxPack RAM table under execution (whatever the TxRxPack.Timer2En bit value).

- the Timer2:
 - can be programmed either through the IP_BLE TimeoutDestReg APB register or through the TxRxPack table
 - can be enabled/disabled either through the IP_BLE TimeoutDestReg APB register or through the TxRxPack table.

Note:

- Programming respectively Timer1 or Timer2 through the IP_BLE TIMEOUTDESTREG APB register automatically disables respectively the Timer2 or Timer1.
- If the Bluetooth LE sequence ends on a receive timeout (STATUSREG.RCVTIMEOUT = 1), Timer2 is not started even if the TxRxPack.Timer2En associated to this reception was 1.
- Even if Timer2 can be enabled through the IP_BLE controller TIMEOUTDESTREG APB register, it is recommended not to do it in application flow and to use the RAM table.
- TIMEOUTDESTREG[1:0] and TIMEOUTREG[31:0] need to be programmed at least 15 microseconds before the required start trigger.

25.8.2.2 Bluetooth LE sequence description

The Bluetooth LE sequence starts on the trigger event (from the wakeup timer or the Timer1 or the Timer2). The sequence is managed in three mains phases:

- Initialization (split into 3 sub-steps)
- reception or transmission
- Context saving (to write back some updated field in RAM tables)

At the end of those phases, an interrupt (if at least one active source enabled) is generated to the CPU.

Note: the status flags and potential associated interrupt are set only at the end of the sequence and not in real time when the event that generates them occurs.

Note: the `STATUSRREG.SEQDONE` flag (and `INTERRUPT1REG.SEQDONE` if enabled in the `GlobalStatMach` table) is always raised when the Sequencer exits a sequence started by a trig event, whatever the process it followed (exit on error at any steps or run up to the end without problems). For this reason, this specific flag is not mentioned/repeated each time in this section.

The first RAM access done by the Sequencer on any trigger event is to get the `GlobalStatMach` word 0x01 to check the active bit to know if the parameters the Sequencer is about to read in the RAM table for the 1st INIT phase can be considered as ready and up to date.

If the active bit is low, the sequence stops, and the only actions done are:

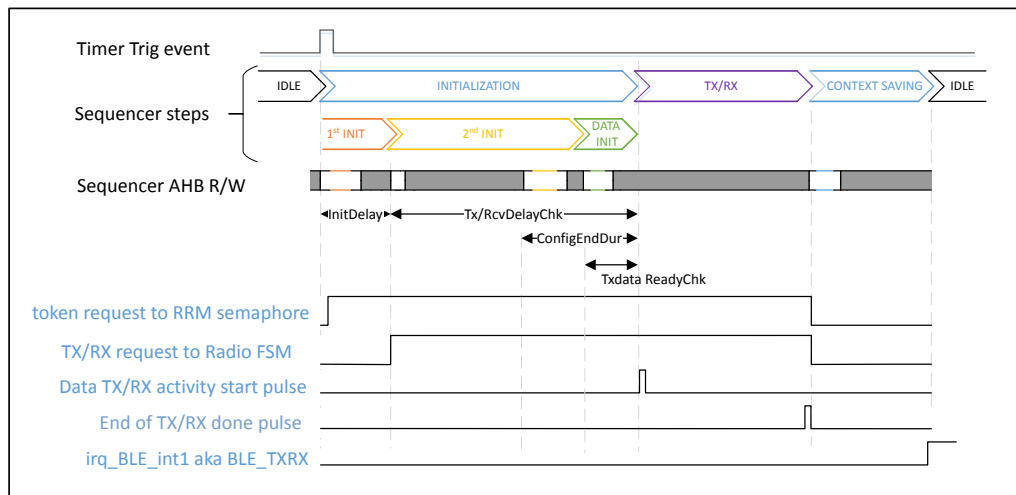
- setting `NOACTIVELEERROR` flag in the `STATUSREG IP_BLE APB` register
- and if `IntNoActiveLEError` is set in the `GlobalStatMach`, setting the `NOACTIVELEERROR` in the `INTERRUPT1REG IP_BLE APB` register and generating an associated interrupt.

If the `GlobalStatMach.Active` bit is set, then the Sequencer starts the initialization phase.

Note: an automatic Active bit auto clear during context saving phase of the sequence can be enabled through the `ChkFlagAutoClearEna` bit in the `GlobalStatMach`. This avoids unexpected Tx/Rx due to Sequencer trigger event while the SW did not update the RAM tables (kind of SW acknowledge to allow the next transfer).

The figure below provides an overview of the Sequencer steps and control versus other blocks.

Figure 200. Sequencer steps overview



25.8.2.2.1 First initialization phase

During the first initialization phase, the Sequencer only reads the minimum information it needs in the RAM table to be able to start the Radio FSM for a reception or a transmission at the end of this phase.

The Sequencer launches up to 3 parallel tasks:

1. Set (or maintain if KeepSemaReq bit was set in the TxRxPack RAM table of the previous sequence) the take_req signal toward the RRM semaphore block to request/keep the token to access the radio resources.
2. If the RadioComListEna bit is set in the current StatMach table, send a command to the RRM UDRA:
 - Command 0 if trig event is the Wakeup timer
 - Command 1 if trig event is the Timer1
 - Command 2 if the trig event is the Timer2.
3. Get the minimum information needed to be able to start the Radio FSM (transmission or reception, channel number, PLL calibration requested or not, etc.).

At the end, this task also computes the channel number through the channel incremter hardware block if requested and writes few radio registers (MOD_DEM_DIG_USR, RADIO_FSM_USR and PHYCTRL_DIG_USR) according to information from the RAM tables.

This first initialization step ends on a timeout defined by a bit field in the GlobalStatMach:

- WakeupInitDelay (time unit is 16 x slow clock so typically 512 kHz) when trig event source is the wakeup timer

Note: despite the wakeup trigger event to start the sequence being based on a slow clock granularity, typ. 32 kHz (as the trigger occurs at BLUE_WAKEUP_TIME[31:4]), the Sequencer waits until the interpolate time is BLUE_WAKEUP_TIME[31:0 + WakeUpInitDelay to exit the 1st INIT step which means the 512 kHz granularity is respected.

- Timer1InitDelayCal (time unit is 1 μs) when the trig event is the Timer1 or when the trig event is the Timer2 and CalReq bit in TxRxPack table is set (PLL calibration requested)
- Timer2InitDelayNoCal (time unit is 1 μs) when the trig event is the Timer2 and CalReq bit in the TxRxPack table is low (no PLL calibration requested).

InitDelay is used as a generic name for this duration to simplify the documentation as it can be 3 different bit fields that define it depending on the configuration.

Note: the main constraint on this delay depends on the previous setup:

- If KeepSemaReq bit was set in the TxRxPack of the previous transfer, then the Radio FSM stays in ACTIVE2 and the main constraint to define the delay is the AHB accesses to read the RAM tables.
- If KeepSemaReq bit was low in the TxRxPack of the previous transfer, then the RRM semaphore releases the token and Radio FSM goes back to IDLE. Then the main constraint for the delay is the duration for the Radio FSM to reach ACTIVE2 state from IDLE (25 μs for ENA_RF_REG step and 20 μs for ENA_CURR step).
- In parallel, if accurate clock was turned off, there is also the delay to have accurate clock available to consider.

Caution: Whatever the trig event source, this **InitDelay** management in the Sequencer uses the system clock and the user must ensure the system runs an accurate clock to have a precise delay.

When the **InitDelay** timeout expires, the Sequencer checks several conditions to decide if it switches to the second initialization step or exits with error. The checked conditions are:

- Radio FSM reached ACTIVE2 state meaning it is ready to receive a Tx or Rx request (and system clock is the accurate clock)
- All RAM accesses and radio register writings to be done by the Sequencer during the first initialization step are over
- No configuration error occurred (see [Section 25.8.2.3.4: Configuration error](#) for more details)

If all the conditions are true, then the Sequencer:

- sends a Tx or Rx request to the Radio FSM depending on transfer direction indicated by TxMode bit in the current StatMach table
- and switches to the second initialization step.

If at least one of the conditions is false then:

- the sequence rises the flag(s) associated to the error(s). It can be:
 - STATUSREG.CONFIGERROR bit if a configuration error has been detected,
 - STATUSREG.ACTIVE2ERROR bit if the Radio FSM is not in ACTIVE2 at the end of the *InitDelay*,
 - STATUSREG.SEMATIMEOUTERROR bit if the RRM semaphore did not grant the IP_BLE on time,
- No RAM write back action is done.
- The error bits set in the STATUSREG register also appear in INTERRUPT1REG if their associated interrupt enable bit is set in the GlobalStatMach table.

25.8.2.2.2 Second initialization step

The 2nd INIT step is used by the Sequencer to get all the information from the RAM tables linked to the RF transfer to proceed (except DataPtr and TxDataReady bit fields).

This means the software must have filled all the RAM table information (except DataPtr and TxDataReady bit fields) when the *InitDelay* timeout expires.

The 2nd INIT step starts when the Tx or Rx request is sent to the Radio FSM. The first action of the Sequencer is to read few delays in the GlobalStatMach. Those delays are needed during the 2nd INIT and DATA INIT steps.

This 2nd INIT step ends on a timeout based on 2 pieces of information read in the GlobalStatMach:

1. *init_radio_delay* (in μ s), used as a generic name for this duration to simplify the documentation: it is one possibility out of 4 different bit fields depending on the transfer configuration:
 - TransmitNoCalDelayChk when the transfer is a Tx and no PLL calibration is requested (CalReq bit is low),
 - TransmitCalDelayChk when the transfer is a Tx and a PLL calibration is requested (CalReq bit is set),
 - ReceiveNoCalDelayChk when the transfer is an Rx and no PLL calibration is requested (CalReq bit is low),
 - ReceiveCalDelayChk when the transfer is an Rx and a PLL calibration is requested (CalReq bit is set).
2. TxdataReadyCheck: duration given to the Sequencer to get the two last pieces of information, which are DataPtr and TxDataReady information in the RAM table. This last reading is done in the third initialization step called DATA_INIT.

The 2nd INIT ends after “*init_radio_delay* – TxdataReadyCheck” μ s.

From the 2nd INIT step, the Radio FSM is running in parallel to the Sequencer getting information in the RAM tables. The user must ensure the *init_radio_delay* duration does not exceed the RF analog setup time up to powering on the antenna for a transmission (or ready to receive on the antenna). This means the 2nd INIT step must not exceed:

- the duration of the Radio FSM to go from ACTIVE2 to Tx state for a transmission with few μ s of margin
- the duration of the Radio FSM to go from ACTIVE2 to Rx state for a reception.

Note:

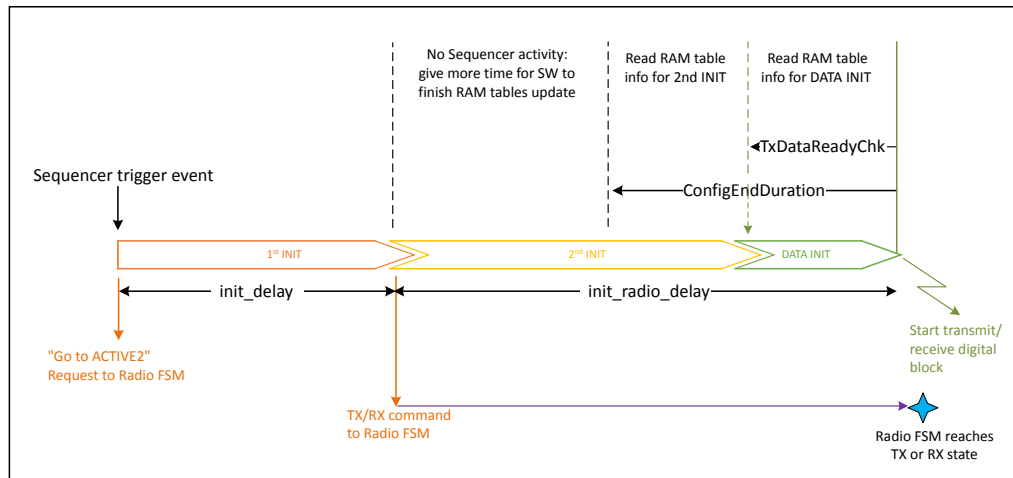
- *For transmission, the init_radio_delay timeout must expire before the Radio FSM is in Tx mode to avoid missing the start of the preamble sending on the antenna (otherwise garbage is sent while the preamble is supposed to be output).*
- *For a reception, the init_radio_delay must expire close to the switch in Rx state of the Radio FSM, knowing the RcvTimeout counter starts when the init_radio_delay expires.*

At the very beginning of the 2nd INIT step:

- the Sequencer starts an internal relative timer
- In parallel, the Sequencer reads the *init_radio_delay*, ConfigEndDuration and TxdataReadyCheck information in the GlobalStatMach.

The 2nd INIT step really starts to fetch information related to the transfer in the RAM tables when the relative timer reaches “*init_radio_delay* – ConfigEndDuration”.

The GlobalStatMach.ConfigEndDuration bit field allows delaying the reading of the transfer information contained in the RAM tables by the Sequencer. The goal of this delay is to provide more margin to the SW to fill the RAM table information that is read during 2nd INIT. This is possible as the RAM table read session is shorter than the analog radio setup duration. The figure below provides a summary of the timing information contributors for the initialization steps.

Figure 201. Sequencer Initialization steps timings overview


25.8.2.2.3 Data initialization step

This data INIT step starts when the 2nd INIT step ends.

During this step, the Sequencer only gets 2 values from the table:

- TxDataReady bit in the TxRxPack indicating enough bytes are present in the Tx payload data buffer (in case of transmission only).
- DataPtr bit field in the TxRxPack.

The GlobalStatMach.TxdataReadyCheck is used to delay the start of this DATA INIT step to allow more time to the software to provide the data pointer (and first values to transmit if transfer is a transmission).

The DATA INIT step ends when the relative timer (started at the beginning of the 2nd INIT step) reaches `init_radio_delay`:

- if all conditions are OK (AllTableReady read at 1, TxDataReady read at 1 for a transmission, Radio FSM still in a state between ACTIVE2 and Rx or Tx, command_end received from the RRM if a UDRA command was launched in parallel, a start pulse is sent to the receive/transmit block for a reception/transmission).
- or else no start pulse is sent to the receive/transmit block and status/interrupt flags are updated in the Bluetooth[®] Low Energy APB registers (no RAM write-back is done).

For transmission, a synchronization mechanism is in place between the transmit block and the Radio FSM: the transmit block waits for the Tx state information from the Radio FSM to know when data can be sent to the modulator. As the transmit block is supposed to receive the start pulse from the Sequencer a bit before the Radio FSM reaches the Tx state, a wait window needs to be defined to avoid waiting forever: this time window is defined in the GlobalStatMach.TxReadyTimeout bit field.

Caution: It is the responsibility of the software to ensure that the `init_radio_delay`, the `ConfigEndDuration` and the `TxdataReadyCheck` values are coherent to guarantee both data ready on time in the table and start pulse sent on time to the receive/transmit block.

25.8.2.2.4 Transmission/reception step

The transmission/reception step starts when the start pulse is sent by the Sequencer to the transmit or to the receive block.

This step ends when the transmit/receive block indicates that the transfer is done:

- all data transmitted for a transmission (followed by a waiting time defined by `GlobalStatMach.TxdelayEnd`)
- a frame has been received or the programmed timeout to wait for a reception expired without any reception.

Important:

- When a transmission is completed, the timer2, if it is programmed, starts counting only when `GlobalStatMach.TxdelayEnd` has elapsed
- When a reception is completed, if the exit reason is a timeout, the timer2 does not start.

25.8.2.2.5 Context saving step

The context saving steps consist of RAM write-back operation in some RAM table words to update with the result of the RF transfer that just ended.

This step starts when the Sequencer obtains the transfer done information from the transmit or receive block.

The RAM write-back impacts the following RAM table elements:

- `GlobalStatMach Word1` if the `GlobalStatMach.ChkFlagAutoClearEna` bit is set:
 - clear the Active bit
 - write back the rest of the bit field of this Word1 with the value previously read by the Sequencer in the RAM table.
- `StatMach Word0`: update SN, NESN, remapped channel, and next transfer direction (`TxMode`)
- `StatMach Word1`: update the `TxPoint[31:0]` with `TxPointNext[31:0]` or keep the same.
- `StatMach Word2`: update the `RcvPoint[31:0]` with `RcvPointNext[31:0]` or keep the same.
- `StatMach Word3`: update the `TxPointPrev[31:0]` with `TxPoint[31:0]` or keep the same.
- `StatMach Word4`: update the `RcvPointPrev[31:0]` with `RcvPoint[31:0]` or keep the same.
- `StatMach Word5`: update the `TxPointNext[31:0]` or keep the same.
- `StatMach Word6`: update the `PCntTx[31:0]` or keep the same.
- `StatMach Word7`: update the `PCntTx[39:32]` and `PCntRcv[23:16]` or keep the same.
- `StatMach Word8`:
 - update the `PCntRcv[39:24]` or keep the same
 - the rest of the Word8 is written back with value previously read by the Sequencer in the RAM table.

Note: See [Section 25.8.5.1: Pointers management and packet counter for pointer management details](#).

25.8.2.2.6 Bluetooth® Low Energy sequence summary

The sequences of operations characterizing a transmission and a reception are summarized in the following timing diagrams.

Figure 202. Tx sequence

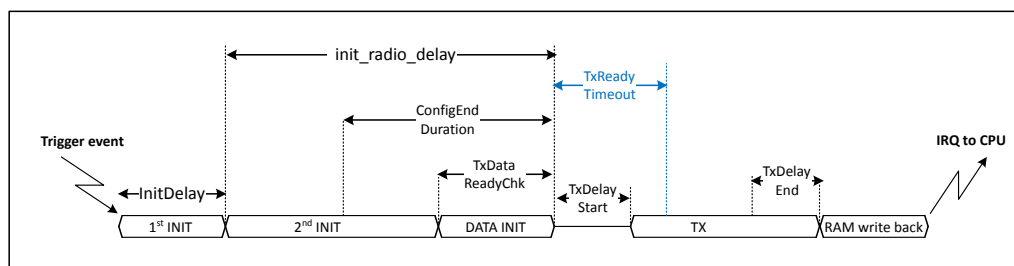
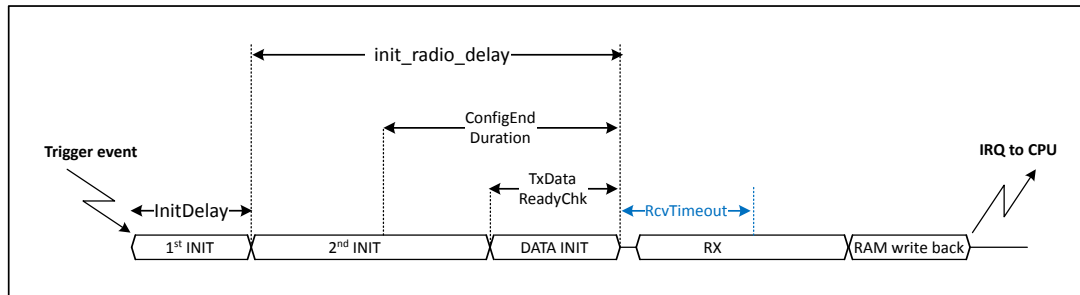


Figure 203. Rx sequence


25.8.2.3 Possible root causes of aborted sequence

It may happen that the sequence is not started or interrupted before the end for different reasons.

In any case, the SeqDone flag (and interrupt if enabled) occurs at the end of a sequence whatever the status (successful or failed).

Then, some status/error flags (with associated maskable interrupt) are available to obtain the reason of the abortion or to have complementary information on the sequence that just occurred.

25.8.2.3.1 Active bit is low

The sequence is stopped just after the trigger event because the Active bit in the GlobalStatMach RAM table is read equal to 0.

If active bit is low, then:

- no sequence is started (Radio FSM and transmit/receive blocks not informed),
- no timer management is done (no update / reprogramming of the different timers is done),
- no RAM write-back occurs, RAM tables are left unchanged,
- the NOACTIVEERROR bit is set in the STATUSREG IP_BLE APB register,
- if the NOACTIVEERROR bit in the GlobalStatMach word 0x05 is set, the NOACTIVEERROR bit is set in the INTERRUPT1REG IP_BLE APB registers and a Bluetooth® Low Energy interrupt is generated to the CPU
 - The enable mask is readable in INTERRUPT1ENBLEREG.NOACTIVEERROR bit.

25.8.2.3.2 RRM semaphore does not grant the IP_BLE on time

On a trigger event and if active bit is high, the Sequencer requests the token to the RRM semaphore to have control of the radio resources.

If, at the end of the initialization delay (WakeupInitDelay or Timer12InitDelayCal or Timer2InitDelayNoCal), the RRM still does not confirm the IP_BLE has been granted, then:

- no sequence is started (Radio FSM and transmit/receive blocks not informed)
- no timer management is done (no update/reprogramming of the different timers is done)
- no RAM write-back occurs, RAM tables are left unchanged,
- the SEMATIMEOUTERROR bit is set in the STATUSREG IP_BLE APB register
- if the IntSemaTimeoutError bit in the GlobalStatMach word 0x05 is set, the SEMATIMEOUTERROR bit is set in the INTERRUPT1REG IP_BLE APB registers and an interrupt is generated to the CPU
 - The enable mask is readable in INTERRUPT1ENBLEREG. SEMATIMEOUTERROR bit.

25.8.2.3.3 Radio FSM not in ACTIVE2 state on time

This error happens if the Radio FSM is not in ACTIVE2 state at the end of the 1st INIT step (on *InitDelay* timeout expiration).

If, at the end of the initialization delay (WakeupInitDelay or Timer12InitDelayCal or Timer2InitDelayNoCal), the Radio FSM has still not confirmed it is ready to start a Tx or Rx sequence (no accurate clock present for instance):

- no sequence is started (Radio FSM and transmit/receive blocks not informed)
- no timer management is done (no update/reprogramming of the different timers is done)
- no RAM write-back occurs, RAM tables are left unchanged

- the ACTIVE2ERROR bit is set in the STATUSREG IP_BLE APB register
- if the IntActive2Error bit in the GlobalStatMach word 0x05 is set, the Active2Errorbit is set in the INTERRUPT1REG Bluetooth® Low Energy APB registers and a IP_BLE interrupt is generated to the CPU
 - The enable mask is readable in INTERRUPT1ENBLEREG.ACTIVE2ERROR bit.

25.8.2.3.4 Configuration error

A configuration error occurs if the value contained by the Rcvpoint or Txpoint field or IQSamplingPtr of the current StatMach RAM table is not modulo 4 (does not correspond to a 32-bit aligned address).

Note: *the StatMach.IQSamplingPtr value is checked only for some values in other RAM table bit fields. Refer to Section 25.8.6.4.4: IQSamplesPtr[31:0] or AntennaPatternPtr[31:0] not 32-bit aligned for details.*

In this case:

- the Sequencer stops the sequence at the end of the 1st initialization phase (so neither the Radio FSM nor the transmit/receive blocks received any request),
- no timer management is done (no update/reprogramming of the different timers)
- no RAM write-back occurs
- the STATUSREG.CONFIGERROR bit is set
- if the IntConfigError bit in the GlobalStatMach RAM table is set, the INTERRUPT1REG.CONFIGERROR is set and an IP_BLE interrupt is generated
 - The enable mask is readable in INTERRUPT1ENBLEREG.CONFIGERROR bit.

25.8.2.3.5 Address pointer error

An address pointer error occurs if the TxRxPack.NextPtr[31:24], the TxRxPack.DataPtr[31:24] or the StatMach.IQSamplestPtr[31:24] (if TxRxPack.CTEAndSamplingEnable=1) is not equal to the SoC RAM base address.

In this case:

- no transmission or reception is started
- the Tx or Rx request towards Radio FSM is canceled
- no RAM write-back is done
- the STATUSREG.ADDPOINTERROR bit is high at the end of the sequence
- if the IntAddPointError bit in the GlobalStatMach is high, the INTERRUPT1REG.ADDPOINTERROR bit is set and an IP_BLE interrupt is generated.
 - The enable mask is readable in INTERRUPT1ENBLEREG.ADDPOINTERROR bit.

25.8.2.3.6 PLL lock fail (only if GlobalStatMach.AutoTxRxSkipEn = 1)

If the AutoTxRxSkipEn bit in the GlobalStatMach RAM table is set, the Sequencer skips the sequence if the PLL lock fail information is raised.

This PLL lock fail corresponds to the fact that the PLL did not lock on time and is provided by the Radio FSM. It is checked by the Sequencer at the end of the initialization step, before entering the Tx-Rx step.

In this case:

- no transmission or reception is started
- the Tx or Rx request towards Radio FSM is canceled
- no RAM write-back is done
- the STATUSREG.TXRXSkip bit is high at the end of the sequence
- if the IntTxRxSkip bit in the GlobalStatMach is high, the INTERRUPT1REG.TXRXSkip bit is set and a Bluetooth® Low Energy interrupt is generated
 - The enable mask is readable in INTERRUPT1ENBLEREG.TXRXSkip bit.

25.8.2.3.7 TxRxSkip APB command

An APB command is available to skip an on-going Tx or Rx transfer. The software needs to write '1' in the TXRXSKIP bit of the CMDREG IP_BLE APB register.

Note: *This bit is auto-cleared immediately by the hardware.*

The software must be aware that the TxRxSkip APB command is considered only during a sequence. Otherwise the skip request is ignored (not recorded and no TxRxSkip interrupt/status flag is raised on the next sequence). The behavior differs depending on the TxRxSkip command that occurs inside the sequence.

Table 192. Summary of flags and RAM table pointers behavior versus Tx Skip command

| "Skip at" phase | Interrupt flags | | | RAM table pointers updated | | | RAM write-back |
|----------------------|-----------------|------------------|------------------|----------------------------|-----|---------|----------------|
| | DONE bit[25] | TXRXSKIP Bit[21] | TXERROR_1 Bit[9] | Tx Prev | Tx | Tx next | |
| 1 st INIT | NO | YES | NO | NO | NO | NO | NO |
| 2 nd INIT | NO | YES | NO | NO | NO | NO | NO |
| DATA INIT | NO | YES | NO | NO | NO | NO | NO |
| Tx | YES | YES | YES | NO | NO | YES | YES |
| CONTECT SAVING | YES | NO | NO | YES | YES | YES | YES |

Table 193. Summary of flags and RAM table pointers behavior versus Rx Skip command

| "Skip at" phase | Interrupt flags | | | | RAM table Pointers updated | | RAM write-back |
|----------------------|-----------------|------------------|--------------|------------------|----------------------------|-----|----------------|
| | RCVOK Bit[31] | RCVRCERR Bit[30] | DONE Bit[25] | TXRXSKIP Bit[21] | RCV Prev | RCV | |
| 1 st INIT | NO | NO | NO | YES | NO | NO | NO |
| 2 nd INIT | NO | NO | NO | YES | NO | NO | NO |
| DATA INIT | NO | NO | NO | YES | NO | NO | NO |
| Rx | NO | YES | YES | YES | NO | YES | YES |
| CONTECT SAVING | YES | NO | YES | NO | YES | YES | YES |

In all scenarios, the IntTxRxSkip bit in the GlobalStatMach must be high to have an interrupt generated when the STATUSREG.TXRXSKIP bit is high. In this case, the INTERRUPT1REG.TXRXSKIP bit is also high. The enable mask is readable in INTERRUPT1ENABLEREG.TXRXSKIP bit.

25.8.2.3.8 AllTableReady bit not set on time

This error is linked to:

- Interrupt mask in GlobalStatMach.IntAllTableReady.
 - This mask is readable in INTERRUPT1ENABLEREG.ALLTABLEREADYERROR bit.
- Status flag in ALLTABLEREADYERROR bit.
- Interrupt flag in INTERRUPT1REG.ALLTABLEREADYERROR bit.

During the 2nd INIT step, the TxRxPack.AllTableReady bit is read by the Sequencer just after the ConfigEndDuration waiting loop (but checks its value only when exiting DATA INIT step at the end of init_radio_delay).

The role of this bit is to guarantee the information related to the transmission/reception packet (especially data pointers) in the TxRxPack (except the payload bytes when transmission) are valid/up-to-date.

If the recorded TxRxPack.AllTableReady is not high:

- no transmission or reception is started
- Tx or Rx request towards Radio FSM is canceled
- no RAM write-back is done
- the STATUSREG.ALLTABLEREADYERROR bit is high at the end of the sequence
- if the IntAllTableReadyError bit in the GlobalStatMach is high, the INTERRUPT1REG.ALLTABLEREADYERROR bit is set and an IP_BLE interrupt is generated
 - The enable mask is readable in INTERRUPT1ENABLEREG.ALLTABLEREADYERROR bit.

25.8.2.3.9 TxdataReady bits not set on time

This bit is used only when the on-going transfer is a transmission (not checked on a reception).

It adds flexibility to the software to be able to go on filling the data payload to transmit while the transmission has already started on the antenna.

The recommendation is to set this bit only after at least 16 bytes of Tx data payload are available in the data buffer.

The Sequencer reads the TxRxPack.TxDataReady bit at the beginning of the DATA INIT step but checks its value only at the end of the init_radio_delay.

If the recorded TxRxPack.TxDataReady is not high:

- no transmission is started
- Tx request towards Radio FSM is canceled
- no RAM write-back is done
- the STATUSREG.TXDATAREADYERROR bit is high at the end of the sequence
- if the IntTxDataReadyError bit in the GlobalStatMach is high, the INTERRUPT1REG.TXDATAREADYERROR bit is set and an IP_BLE interrupt is generated
 - The enable mask is readable in INTERRUPT1ENBLEREG.TXDATAREADYERROR bit.

25.8.2.3.10 Receive length error

This aborting issue can occur only on reception.

A receive length error is detected if the received length value decoded in the received frame header is greater than the StatMach.MaxReceivedLength[7:0] bit field. This feature can be used when free RAM area is limited and does not allow receiving large packets.

If the receive block detects a packet length in the received header that is greater than the StatMach.MaxReceiveLength value:

- the receiver treats only MaxReceiveLength bytes of data and stops its sequence
 - any extra bytes sent by the demodulator are ignored
- the data payload written back in RAM is limited to MaxReceiveLength + 2 bytes (corresponding to header + length) + potential CTEINFO byte in case of data PDU channel with CTE present
- the Sequencer manages the reception step as usual as the receive block provides a done pulse, it receives a receive done pulse from the receive block
 - this leads to stopping the Radio FSM receive mode while data are potentially still arriving on the antenna
- a RAM write-back occurs
- the STATUSREG.RCVLENGTHERROR bit is high at the end of the sequence
- if the IntRcvLengthError bit in the GlobalStatMach is high, the INTERRUPT1REG.RCVLENGTHERROR bit is set and an IP_BLE interrupt is generated
 - The enable mask is readable in INTERRUPT1ENBLEREG.RCVLENGTHERROR bit.

Note: As the receiver truncates the received frame to a reduced length, a CRC error occurs in parallel and potential other side effect error flags. So, the RCVLENGTHERROR flag must be considered before the others regarding a reception.

25.8.3 IP_BLE interrupts

The Bluetooth® Low Energy link layer provides 2 separate interrupt lines:

- int1: Bluetooth® Low Energy sequence interrupt (linked to sequence that just occurred)
- int2: AES interrupt (manual or LE privacy end of calculation)

The IP_BLE interrupts:

- the IP_BLE interrupts are enabled through the RAM tables (some in the GlobalStatMach, others in TxRxPack)
- a copy of the applied enable mask is available in the INTERRUPT1ENBLEREG IP_BLE APB register
- the IP_BLE interrupts status can be read when an interrupt triggers at CPU level and is available in the INTERRUPT1REG Bluetooth® Low Energy APB register

- the IP_BLE interrupts are cleared by writing '1' in the associated bit in the INTERRUPT1REG Bluetooth® Low Energy APB register
- a dedicated internal timer is started when the interrupt is raised: its value is accessible in the INTERRUPT1LATENCYREG register. The goal of this register is to inform the interrupt handler SW about how long the interrupt is pending. This latency window is limited to 255 µs. Over this delay, the read value stays at 255.

Note: only enabled interrupts can be read at '1' in this INTERRUPT1REG register. To have the equivalent without enable mask, the STATUSREG IP_BLE APB register must be read.

The AES interrupts:

- the AES interrupts are enabled through IP_BLE APB registers (MANAESCMDREG for manual AES and AESLEPRIVCMDREG for LE privacy AES)
- the AES interrupts status can be read in the INTERRUPT2REG IP_BLE APB register and represents/ means "end of calculation" information
- the AES interrupts are cleared by writing '1' in the associated bit in the INTERRUPT2REG IP_BLE APB register.

Note: the "end of calculation" information is only available through enabled interruption. The MANAESSTATREG and the AESLEPRIVSTATREG IP_BLE APB registers contain other flags, not equivalent to INTERRUPT2REG registers.

25.8.4 IP_BLE RAM tables

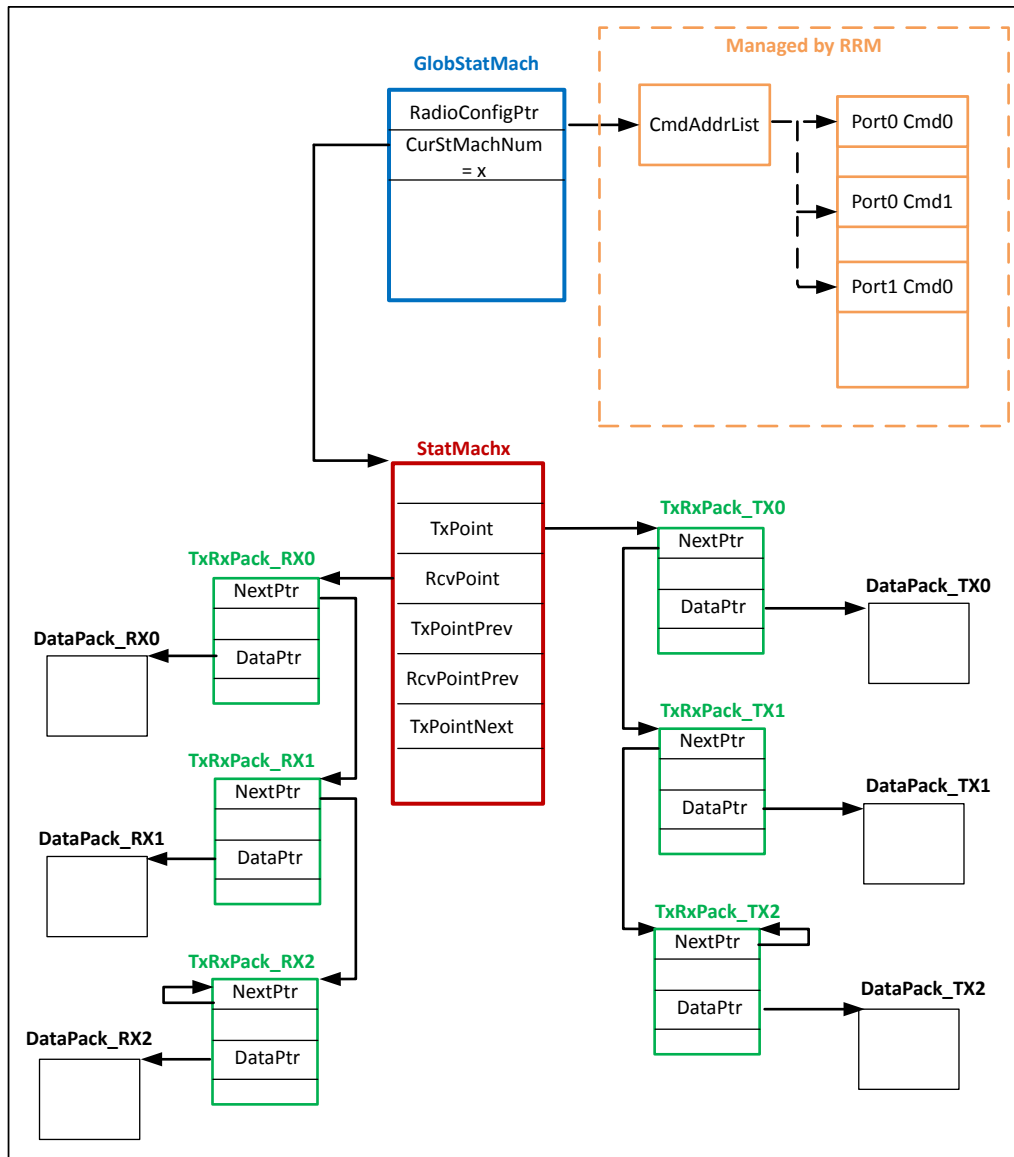
Each time a trigger event is sent to the Bluetooth® Low Energy link layer, the Sequencer fetches the RAM tables in RAM to get the needed information to know what to configure for the radio and which sequence to start (Rx or Tx).

There are several types of table:

- The GlobalStatMach: this table is unique.
- The StatMach: one table by active connection (up to 128 supported by the hardware).
- The TxRxPack: one table packet in Rx or in Tx. So, there is no predefined number of those tables. They are used as a link list from one packet to another during a full connection.
- The DataPack table corresponding to the data buffers pointed by the DataPtr in the TxRxPack. It contains the PDU section of the Bluetooth packet.

Figure 204. RAM table dependency overview gives an overview of RAM tables dependencies. In the provided example, the GlobalStatMach is currently managing the connection number X (StatMachx on-use) and the data buffer points to itself from the third transfer of each type.

Figure 204. RAM table dependency overview



25.8.4.1 GlobalStatMach RAM table

The GlobalStatMach location is frozen by hardware at address 0x2000_00C0 in the STM32WB05xZ.

25.8.4.1.1 GlobalStatMach RAM table overview

The GlobalStatMach is unique and mainly contains static information/options.

Table 194. GlobalStatMach RAM table

| Word | Byte addr | R/W by Bluetooth LE | 7 | 6 | 5 | 4 | 3 | 2 | 1 | 0 | |
|------|-----------|---------------------|-----------------------|---------------------|-----------------------|------------------|---------------------|-------------------|----------------|---|--|
| 0x00 | 0x0 | No | RadioConfigPtr[7:0] | | | | | | | | |
| | 0x1 | | RadioConfigPtr[15:8] | | | | | | | | |
| | 0x2 | | RadioConfigPtr[23:16] | | | | | | | | |
| | 0x3 | | RadioConfigPtr[31:24] | | | | | | | | |
| 0x01 | 0x4 | R/W | Active | CurStMachNum | | | | | | | |
| | 0x5 | | WakeupInitDelay | | | | | | | | |
| | 0x6 | | Timer1InitDelayCal | | | | | | | | |
| | 0x7 | | Timer2InitDelayNoCal | | | | | | | | |
| 0x02 | 0x8 | R | TransmitCalDelayChk | | | | | | | | |
| | 0x9 | | TransmitNoCalDelayChk | | | | | | | | |
| | 0xA | | ReceiveCalDelayChk | | | | | | | | |
| | 0xB | | ReceiveNoCalDelayChk | | | | | | | | |
| 0x03 | 0xC | R | ConfigEndDuration | | | | | | | | |
| | 0xD | | TxdataReadyCheck | | | | | | | | |
| | 0xE | | TxdelayStart | | | | | | | | |
| | 0xF | | TimeCapture | TimeCaptureSel | TxdelayEnd | | | | | | |
| 0x04 | 0x10 | R | TxReadyTimeout | | | | | | | | |
| | 0x11 | | RcvTimeout[7:0] | | | | | | | | |
| | 0x12 | | RcvTimeout [15:8] | | | | | | | | |
| | 0x13 | | RcvTimeout [19:16] | | | | | | | | |
| 0x05 | 0x14 | R | ChkFlagAutoClearEna | | | | | | AutoTxRxskipEn | | |
| | 0x15 | | | | | | | | | | |
| | 0x16 | | IntNoActiveLErr | IntTxDataReadyError | IntAllTableReadyError | IntAddPointError | | | | | |
| | 0x17 | | IntConfigError | IntActive2Err | intTxRxSkip | IntSeqDone | IntSemaTimeoutError | IntRcvLengthError | | | |
| 0x06 | 0x18 | R | DefaultAntennaID[6:0] | | | | | | | | |

| Word | Byte addr | R/W by Bluetooth LE | 7 | 6 | 5 | 4 | 3 | 2 | 1 | 0 |
|------|-----------|---------------------|---|---|---|---|---|---|---|---|
| 0x06 | 0x19 | R | | | | | | | | |
| | 0x1A | | | | | | | | | |
| | 0x1B | | | | | | | | | |

- Note:
- *grey cells are unused cells*
 - *pink cells are related to debug/qualification topic.*

The following section describes the GlobalStatMach bit fields to help the user to program accurately the table.

- Note: *init_radio_delay* is the generic name for the delay that can be *TransmitCalDelayChk* or *TransmitNoCalDelayChk* or *ReceiveCalDelayChk* or *ReceiveNoCalDelayChk* depending on transfer configuration (see [Section 25.8.2.2.2: Second initialization step](#) for more details).

25.8.4.1.2 GlobalStatMach RAM table registers list
Table 195. GlobalStatMach RAM table register list

| Address offset | Name | RW | Reset | Description |
|----------------|-------|----|------------|----------------|
| 0x00 | WORD0 | RW | 0x00000000 | Word0 register |
| 0x04 | WORD1 | RW | 0x00000000 | Word1 register |
| 0x08 | WORD2 | RW | 0x00000000 | Word2 register |
| 0x0C | WORD3 | RW | 0x00000000 | Word3 register |
| 0x10 | WORD4 | RW | 0x00000000 | Word4 register |
| 0x14 | WORD5 | RW | 0x00000000 | Word5 register |
| 0x18 | WORD6 | RW | 0x00000000 | Word6 register |

Table 196. GlobalStatMach.WORD0 register description

| Bit | Field name | Reset | RW | Description |
|------|----------------|------------|----|--|
| 31:0 | RADIOCONFIGPTR | 0x00000000 | RW | <p>Radio Configuration address Pointer.</p> <p>Contains the address of the command_start_list used by the RRM block to execute UDRA command.</p> <p>Caution: This pointer must be 32-bit aligned.</p> <p>Note: This value is loaded automatically by the RRM when the MR_BLE exits reset. However, it is also possible to make the RRM reload it through a reload command in the UDRA_CTRL register.</p> |

Table 197. GlobalStatMach.WORD1 register description

| Bit | Field name | Reset | RW | Description |
|-------|---------------------|-------|----|--|
| 6:0 | CURSTMACHNUM | 0x0 | RW | <p>Current connection machine number.</p> <p>Defines the state machine number (in the range from 0 to 127) which is running for the current transmission or reception.</p> <p>It is used to calculate the RAM address from which the State machine table ("StateMach") is read.</p> <p>Note: This field is written back with value read at the beginning of the sequencer only if the ChkFlagAutoClearEna bit = '1'.</p> |
| 7 | ACTIVE | 0x0 | RW | <p>Must be at '1' when the trig event (Wakeup Timer, Timer1 or Timer2) occurs to start Bluetooth® Low Energy link layer sequence. Otherwise, no RF sequence nor timer management is done by the Sequencer.</p> <p>Note: This field is written back to '0' only if the ChkFlagAutoClearEna bit = '1'.</p> |
| 15:8 | WAKEUPINITDELAY | 0x0 | RW | <p>Delay between wakeup timer trig event on Sequencer and Rx/Tx request sending to the Radio FSM. It corresponds to the Sequencer 1st INIT step duration.</p> <p>Note: This bit field is not used if trig event comes from Timer1 or Timer2.</p> <p>The time unit for this delay/value is a period of slow clock frequency x 16 (if slow clock is 32 kHz, this bit field unit is 1 period of 512 kHz).</p> <p>Note: This field is written back with value read at the beginning of the Sequencer only if the ChkFlagAutoClearEna bit = '1'.</p> |
| 23:16 | TIMER12INITDELAYCAL | 0x0 | RW | <p>Delay between Timer1 or Timer2 trig event on Sequencer and Rx/Tx request sending to the Radio FSM. It corresponds to the Sequencer 1st INIT step duration.</p> |

| Bit | Field name | Reset | RW | Description |
|-------|----------------------|-------|----|---|
| 23:16 | TIMER12INITDELAYCAL | 0x0 | RW | This bit field is used for Timer2 trig event only if CalReq bit is set in current TxRxPack RAM table (PLL calibration is requested). |
| | | | | The time unit for this delay is 1 μ s. |
| | | | | Note: This field is written back with value read at the beginning of the Sequencer only if the ChkFlagAutoClearEna bit = '1'. |
| 31:24 | TIMER2INITDELAYNOCAL | 0x0 | RW | Delay between Timer2 trig event on Sequencer and Rx/Tx request sending to the Radio FSM. It corresponds to the Sequencer 1 st INIT step duration. |
| | | | | This bit field is used for Timer2 trig event only if CalReq bit is low in current TxRxPack RAM table (no PLL calibration is requested). |
| | | | | The time unit for this delay is 1 μ s. Note: This field is written back with value read at the beginning of the Sequencer only if the ChkFlagAutoClearEna bit = '1'. |

Table 198. GlobalStatMach.WORD2 register description

| Bit | Field name | Reset | RW | Description |
|-------|-----------------------|-------|----|---|
| 7:0 | TRANSMITCALDELAYCHK | 0x0 | RW | Delay between Tx request sent to the Radio FSM and the start pulse sent to the transmit block. It corresponds to the Sequencer 2 nd INIT + DATA INIT steps duration. |
| | | | | Note: This bit field is used if TxMode bit is set in the StatMach (transmission) and the CalReq bit is set in current TxRxPack RAM table (PLL calibration is requested). |
| | | | | The time unit for this delay is 1 μ s. A recommended value is available in Section 25.8.5.4: Sequencer timings recommended values . |
| 15:8 | TRANSMITNOCALDELAYCHK | 0x0 | RW | Delay between Tx request sent to the Radio FSM and the start pulse to the transmit block. It corresponds to the Sequencer 2 nd INIT + DATA INIT steps duration. |
| | | | | Note: This bit field is used if TxMode bit is set in the StatMach (transmission) and the CalReq bit is low in current TxRxPack RAM table (no PLL calibration is requested). |
| | | | | A recommended value is available in Section 25.8.5.4: Sequencer timings recommended values . The time unit for this delay is 1 μ s. |
| 23:16 | RECEIVECALDELAYCHK | 0x0 | RW | Delay between Rx request sent to the Radio FSM and the start pulse sent to the receive block. It corresponds to the Sequencer 2 nd INIT + DATA INIT steps duration. |
| | | | | Note: This bit field is used if TxMode bit is low in the StatMach (reception) and the CalReq bit is set in current TxRxPack RAM table (PLL calibration is requested). |
| | | | | A recommended value is available in Section 25.8.5.4: Sequencer timings recommended values . The time unit for this delay is 1 μ s. |
| 31:24 | RECEIVENOCALDELAYCHK | 0x0 | RW | Delay between Rx request sent to the Radio FSM and the start pulse to the receive block. It corresponds to the Sequencer 2 nd INIT + DATA INIT steps duration. |
| | | | | Note: This bit field is used if TxMode bit is low in the StatMach (reception) and the CalReq bit is low in current TxRxPack RAM table (no PLL calibration is requested). |
| | | | | A recommended value is available in Section 25.8.5.4: Sequencer timings recommended values . The time unit for this delay is 1 μ s. |

Table 199. GlobalStatMach.WORD3 register description

| Bit | Field name | Reset | RW | Description |
|-------|-------------------|-------|----|---|
| 7:0 | CONFIGENDDURATION | 0x0 | RW | Duration for the Sequencer to execute the final configuration. |
| | | | | The goal of this bit field is to provide more time to the firmware to prepare the RAM tables. |
| | | | | The Sequencer waits for relative time to be equal to <code>init_radio_delay - ConfigEndDuration</code> before starting the final configuration. |
| | | | | The time unit for this delay is 1 μ s. |
| 15:8 | TXDATAREADYCHECK | 0x0 | RW | Duration for the Sequencer to get the TxDataReady and DataPtr information in TxRxPack table. |
| | | | | The goal of this bit field is to provide more time to the firmware to provide the data pointer address and in case of transmission to provide the data to transmit. |
| | | | | The Sequencer waits for relative time to be equal to <code>init_radio_delay - TxdataReadyCheck</code> before starting the final configuration. |
| | | | | The time unit for this delay is 1 μ s. |
| 23:16 | TXDELAYSTART | 0x0 | RW | Delay added between the moment the Radio FSM is in Tx mode (PA ramp-up done and power present on the antenna) and the first bit transmission to the modulator. |
| | | | | The time unit for this delay is 125 ns. |
| 29:24 | TXDELAYEND | 0x0 | RW | Delay added between the last bit transmission to the modulator and the "end of transmission" information for the Sequencer. |
| | | | | The time unit for this delay is 125 ns. |
| | | | | This delay allows giving time to the modulator and analog chain to output on the antenna the last bit. |
| 30 | TIMECAPTURESEL | 0x0 | RW | 0: the captured time (absolute time) corresponds to the end of 1st INIT step in the sequence (<i>InitDelay</i> timeout event). |
| | | | | 1: the captured time (absolute time) corresponds to the end of DATA INIT step in the sequence (<code>init_radio_delay</code> timeout event). |
| | | | | Note: This bit is for debug purposes. |
| 31 | TIMECAPTURE | 0x0 | RW | 0: no capture is requested to monitor the Bluetooth® Low Energy sequence. |
| | | | | 1: a time capture is requested to monitor the Bluetooth® Low Energy sequence. Captured event is defined by GlobalStatMach.TIMECAPTURESEL bit. |
| | | | | Note: If both TIMECAPTURE and TIMECAPTURESEL bits are low, the TIMERCAPTUREREG IP_BLE APB register is anyway updated with the <i>InitDelay</i> timeout event (mechanism to bypass the fact those 2 GlobalStatMach bits are checked after 1st INIT step completion). |
| | | | | Note: If TxRxPack.TrigRcv or TxRxPack.TrigDone bit is set, the TimerCaptureReg Bluetooth® Low Energy APB register shows this last event trig value at the end of the sequence. |
| | | | | Note: This bit is for debug purposes. |

Table 200. GlobalStatMach.WORD4 register description

| Bit | Field name | Reset | RW | Description |
|-----|----------------|-------|----|--|
| 7:0 | TXREADYTIMEOUT | 0x0 | RW | Transmission ready timeout. |
| | | | | Defines the maximum duration for the transmit block to wait for the Radio FSM to indicate it is in Tx state and data can be provided to the modulator. |
| | | | | The time unit for this delay is 1 μ s. |

| Bit | Field name | Reset | RW | Description |
|-------|----------------|-------|----|--|
| 7:0 | TXREADYTIMEOUT | 0x0 | RW | Note: If this value is set to 0, no timeout is activated to wait for the Tx ready information. This configuration is not recommended at all as it may lead to endless sequences, restarted only through a new trigger event being generated. |
| 27:8 | RCVTIMEOUT | 0x0 | RW | Receive window timeout. |
| | | | | Define the maximum duration to stay in reception without any preamble + access address detection (rest of the frame can be received even outside this time window). |
| | | | | The duration is expressed as $(4^{RCVTIMEOUT[19:18]} \times RCVTIMEOUT[17:0])$ The time unit for RCVTIMEOUT[17:0] is 1 μ s. |
| 31:28 | RESERVED31_28 | 0x0 | RW | Ignored on write - read as zero |

Table 201. GlobalStatMach.WORD5 register description

| Bit | Field name | Reset | RW | Description |
|------|-----------------------|-------|----|--|
| 0 | AUTOTXRSKIPEN | 0x0 | RW | Automatic transfer (Tx or Rx) skip enable. |
| | | | | If set, the Bluetooth [®] Low Energy link layer stops automatically an on-going transfer if PLL lock fail event is detected on PLL start. See Section 25.8.2.3.6: PLL lock fail (only if GlobalStatMach.AutoTxRxSkipEn = 1) for details about behavior on skip. |
| 1 | RESERVED1 | 0x0 | RW | Reserved |
| 2 | CHKFLAGAUTOCLEARENA | 0x0 | RW | Active Auto Clear bit Enable. |
| | | | | The Active auto clear feature leads the Sequencer to clear the GlobalStatMach.Active bit during the RAM write-back step at the end of a transfer/sequence. |
| | | | | The main goal of this feature is to avoid a new transfer to start on the antenna while the software did not yet prepare the next transfer in RAM tables. 0: the active auto clear bit feature is disabled. 1: The active auto clear bit feature is enabled. |
| 19:3 | RESERVED19_3 | 0x0 | RW | Reserved |
| 20 | INTADDPOINTERROR | 0x0 | RW | Address pointer error interrupt enable. |
| | | | | 0: the interrupt associated to INTERRUPT1REG.AddPointError is disabled. 1: the interrupt associated to INTERRUPT1REG.AddPointError is enabled. |
| 21 | INTALLTABLEREADYERROR | 0x0 | RW | All table ready error interrupt enable. |
| | | | | 0: the interrupt associated to INTERRUPT1REG.AllTableReadyError is disabled. 1: the interrupt associated to INTERRUPT1REG.AllTableReadyError is enabled. |
| 22 | INTTXDATAAREADYERROR | 0x0 | RW | Transmission data payload ready error interrupt enable. |
| | | | | 0: the interrupt associated to INTERRUPT1REG.TxDataReady is disabled. 1: the interrupt associated to INTERRUPT1REG.TxDataReady is enabled. |
| 23 | INTNOACTIVELEERROR | 0x0 | RW | Active bit low value reading interrupt enable. |
| | | | | 0: the interrupt associated to INTERRUPT1REG.NoActiveLEError is disabled. 1: the interrupt associated to INTERRUPT1REG.NoActiveLEError is enabled. |
| 24 | RESERVED24 | 0x0 | RW | Reserved |
| 25 | INTRCVLENGTHERROR | 0x0 | RW | Too long received payload length interrupt enable. |

| Bit | Field name | Reset | RW | Description |
|-----|---------------------|-------|----|---|
| 25 | INTRCVLENGTHERROR | 0x0 | RW | 0: the interrupt associated to INTERRUPT1REG.ReceiveLengthError is disabled. 1: the interrupt associated to INTERRUPT1REG.ReceiveLengthError is enabled. |
| 26 | INTSEMATIMEOUTERROR | 0x0 | RW | Semaphore timeout error interrupt enable. 0: the interrupt associated to INTERRUPT1REG.SemaTimeoutError is disabled. 1: the interrupt associated to INTERRUPT1REG.SemaTimeoutError is enabled. |
| 27 | RESERVED27 | 0x0 | RW | Reserved. |
| 28 | INTSEQDONE | 0x0 | RW | Sequencer end of task interrupt enable. This bit should always be set to ensure that an interrupt occurs at the end of sequence whatever the exit reason. 0: the interrupt associated to INTERRUPT1REG.SeqDone is disabled 1: the interrupt associated to INTERRUPT1REG.SeqDone is enabled |
| 29 | INTTXRXSKIP | 0x0 | RW | Transmission or reception skip interrupt enable. 0: the interrupt associated to INTERRUPT1REG.intTxRxSkip is disabled. 1: the interrupt associated to INTERRUPT1REG.intTxRxSkip is enabled. |
| 30 | INTACTIVE2ERR | 0x0 | RW | No "In ACTIVE2" information from Radio FSM received on time interrupt enable. 0: the interrupt associated to INTERRUPT1REG.Active2Error is disabled. 1: the interrupt associated to INTERRUPT1REG.Active2Error is enabled. |
| 31 | INTCONFIGERROR | 0x0 | RW | Configuration error interrupt enable. 0: the interrupt associated to INTERRUPT1REG.ConfigError is disabled 1: the interrupt associated to INTERRUPT1REG. ConfigError is enabled. |

Table 202. GlobalStatMach.WORD6 register description

| Bit | Field name | Reset | RW | Description |
|------|------------------|-------|----|--|
| 6:0 | DEFAULTANTENNAID | 0x0 | RW | Default Antenna ID corresponding to the number of the antenna used to receive/transmit: <ul style="list-style-type: none"> the full packet when no CTE the packet body (Preamble, Access Address, PDU, and CRC) when CTE |
| 31:7 | RESERVED31_7 | 0x0 | RW | Reserved |

25.8.4.2 StatMach RAM table

The StatMach table links to an active connection. There are as many StatMach tables as concurrent connections in a limit of 128 (maximum supported by the hardware).

The StatMach RAM table location is frozen by the hardware as chained just after the GlobalStatMach. The formula for a StatMach base address is:

$$\text{StateMachBaseAddress}[\text{stateMachIdx}] = \text{GlobStatMachBaseAddress} + 28 + (\text{stateMachIdx} * 92)$$

Table 203. StatMach RAM table

| Word | Byte addr. | R/W by Bluetooth [®] Low Energy | 7 | 6 | 5 | 4 | 3 | 2 | 1 | 0 |
|------|------------|--|---------------------|-----------------|------------|-------------|------------|------------|---|---|
| 0x00 | 0x0 | R/W | TxMode | RadioComListEna | Uchan | | | | | |
| | 0x1 | | NESN | SN | Remap_chan | | | | | |
| | 0x2 | | RcvEnc | TxEnc | EncryptOn | Buffer_Full | | | | |
| | 0x3 | | | RxPhy[2:0] | | | CTEDisable | TxPhy[2:0] | | |
| 0x01 | 0x4 | R/W | Txpoint[7:0] | | | | | | | |
| | 0x5 | | Txpoint[15:8] | | | | | | | |
| | 0x6 | | Txpoint[23:16] | | | | | | | |
| | 0x7 | | Txpoint[31:24] | | | | | | | |
| 0x02 | 0x8 | R/W | Rcvpoint[7:0] | | | | | | | |
| | 0x9 | | Rcvpoint[15:8] | | | | | | | |
| | 0x0A | | Rcvpoint[23:16] | | | | | | | |
| | 0x0B | | Rcvpoint[31:24] | | | | | | | |
| 0x03 | 0x0C | R/W | RcvpointPrev[7:0] | | | | | | | |
| | 0x0D | | RcvpointPrev[15:8] | | | | | | | |
| | 0x0E | | Txpointnext[23:16] | | | | | | | |
| | 0x0F | | Txpointnext[31:24] | | | | | | | |
| 0x04 | 0x10 | R/W | RcvpointPrev[7:0] | | | | | | | |
| | 0x11 | | RcvpointPrev[15:8] | | | | | | | |
| | 0x12 | | RcvpointPrev[23:16] | | | | | | | |
| | 0x13 | | RcvpointPrev[31:24] | | | | | | | |
| 0x05 | 0x14 | R/W | Txpointnext[7:0] | | | | | | | |
| | 0x15 | | Txpointnext[15:8] | | | | | | | |
| | 0x16 | | Txpointnext[23:16] | | | | | | | |
| | 0x17 | | Txpointnext[31:24] | | | | | | | |
| 0x06 | 0x18 | R/W | PCntTx[7:0] | | | | | | | |
| | 0x19 | | PCntTx [15:8] | | | | | | | |
| | 0x1A | | PCntTx [23:16] | | | | | | | |
| | 0x1B | | PCntTx [31:24] | | | | | | | |
| 0x07 | 0x1C | R/W | PCntTx [39:32] | | | | | | | |
| | 0x1D | | PCntRcv[7:0] | | | | | | | |
| | 0x1E | | PCntRcv[15:8] | | | | | | | |
| | 0x1F | | PCntRcv[23:16] | | | | | | | |

| Word | Byte addr. | R/W by Bluetooth® Low Energy | 7 | 6 | 5 | 4 | 3 | 2 | 1 | 0 | |
|------|------------|------------------------------|-------------------------|--------------------|-------------|-----------------|------------------|---|---|---|--|
| 0x08 | 0x20 | R | PCntRcv[31:24] | | | | | | | | |
| | 0x21 | | PCntRcv[39:32] | | | | | | | | |
| | 0x22 | | RxMicDbg | MsbFirst | DisableCrc | EnaPreambleRep | PreambleRep[3:0] | | | | |
| | 0x23 | | RxDebugCrc | IntRxOverflowError | IntEncError | intTxError[4:0] | | | | | |
| 0x09 | 0x24 | R | accaddr[7:0] | | | | | | | | |
| | 0x25 | | accaddr[15:8] | | | | | | | | |
| | 0x26 | | accaddr[23:16] | | | | | | | | |
| | 0x27 | | accaddr[31:24] | | | | | | | | |
| 0x0A | 0x28 | R | crcinit[7:0] | | | | | | | | |
| | 0x29 | | crcinit[15:8] | | | | | | | | |
| | 0x2A | | crcinit[23:16] | | | | | | | | |
| | 0x2B | | MaxReceivedLength | | | | | | | | |
| 0x0B | 0x2C | R | PaPower | | | | | | | | |
| | 0x2D | | hopincr | | | | | | | | |
| | 0x2E | | UsedChannelFlags[7:0] | | | | | | | | |
| | 0x2F | | UsedChannelFlags[15:8] | | | | | | | | |
| 0x0C | 0x30 | R | UsedChannelFlags[23:16] | | | | | | | | |
| | 0x31 | | UsedChannelFlags[31:24] | | | | | | | | |
| | 0x32 | | UsedChannelFlags[36:32] | | | | | | | | |
| | 0x33 | | | | | | | | | | |
| 0x0D | 0x34 | R | eventCounter[7:0] | | | | | | | | |
| | 0x35 | | eventCounter[15:8] | | | | | | | | |
| | 0x36 | | | | | | | | | | |
| | 0x37 | | | | | | | | | | |
| 0x0E | 0x38 | R | EncryptIV[7:0] | | | | | | | | |
| | 0x39 | | EncryptIV[15:8] | | | | | | | | |
| | 0x3A | | EncryptIV[23:16] | | | | | | | | |
| | 0x3B | | EncryptIV[31:24] | | | | | | | | |
| 0x0F | 0x3C | R | EncryptIV[39:32] | | | | | | | | |
| | 0x3D | | EncryptIV[47:40] | | | | | | | | |
| | 0x3E | | EncryptIV[55:48] | | | | | | | | |
| | 0x3F | | EncryptIV[63:56] | | | | | | | | |
| 0x10 | 0x40 | R | EncryptK[7:0] | | | | | | | | |
| | 0x41 | | EncryptK[15:8] | | | | | | | | |
| | 0x42 | | EncryptK[23:16] | | | | | | | | |
| | 0x43 | | EncryptK[31:24] | | | | | | | | |
| 0x11 | 0x44 | R | EncryptK[39:32] | | | | | | | | |
| | 0x45 | | EncryptK[47:40] | | | | | | | | |

| Word | Byte addr. | R/W by Bluetooth® Low Energy | 7 | 6 | 5 | 4 | 3 | 2 | 1 | 0 | |
|------|------------|------------------------------|-----------------------------|---|---|---|---|---|--------------|----------|--|
| 0x11 | 0x46 | R | EncryptK[55:48] | | | | | | | | |
| | 0x47 | | EncryptK[63:56] | | | | | | | | |
| 0x12 | 0x48 | R | EncryptK[71:64] | | | | | | | | |
| | 0x49 | | EncryptK[79:72] | | | | | | | | |
| | 0x4A | | EncryptK[87:80] | | | | | | | | |
| | 0x4B | | EncryptK[95:88] | | | | | | | | |
| 0x13 | 0x4C | R | EncryptK[103:96] | | | | | | | | |
| | 0x4D | | EncryptK[111:104] | | | | | | | | |
| | 0x4E | | EncryptK[119:112] | | | | | | | | |
| | 0x4F | | EncryptK[127:120] | | | | | | | | |
| 0x14 | 0x50 | R | CTETime[4:0] | | | | | | CTESlotWidth | AoD_nAoA | |
| | 0x51 | | MaximumIQSamplesNumber[6:0] | | | | | | | | |
| | 0x52 | | AntennaPatternLength[7:0] | | | | | | | | |
| | 0x53 | | | | | | | | | | |
| 0x15 | 0x54 | R | IQSamplesPtr[7:0] | | | | | | | | |
| | 0x55 | | IQSamplesPtr[15:8] | | | | | | | | |
| | 0x56 | | IQSamplesPtr[23:16] | | | | | | | | |
| | 0x57 | | IQSamplesPtr[31:24] | | | | | | | | |
| 0x16 | 0x58 | R | AntennaPatternPtr[7:0] | | | | | | | | |
| | 0x59 | | AntennaPatternPtr[15:8] | | | | | | | | |
| | 0x5A | | AntennaPatternPtr[23:16] | | | | | | | | |
| | 0x5B | | AntennaPatternPtr[31:24] | | | | | | | | |

- Note:**
- grey cells are unused cells
 - pink cells are related to debug/qualification topic
 - green cells are related to features outside Bluetooth protocol (proprietary protocol)

The following section describes the StatMach bit fields to help the user to accurately program the table.

25.8.4.2.1 StatMach RAM table register list

Table 204. StatMach RAM table register list

| Address offset | Name | RW | Reset | Description |
|----------------|-------|----|------------|----------------|
| 0x00 | WORD0 | RW | 0x00000000 | Word0 register |
| 0x04 | WORD1 | RW | 0x00000000 | Word1 register |
| 0x08 | WORD2 | RW | 0x00000000 | Word2 register |
| 0x0C | WORD3 | RW | 0x00000000 | Word3 register |
| 0x10 | WORD4 | RW | 0x00000000 | Word4 register |
| 0x14 | WORD5 | RW | 0x00000000 | Word5 register |
| 0x18 | WORD6 | RW | 0x00000000 | Word6 register |
| 0x1C | WORD7 | RW | 0x00000000 | Word7 register |

| Address offset | Name | RW | Reset | Description |
|----------------|--------|----|------------|-----------------|
| 0x20 | WORD8 | RW | 0x00000000 | Word8 register |
| 0x24 | WORD9 | RW | 0x00000000 | Word9 register |
| 0x28 | WORDA | RW | 0x00000000 | WordA register |
| 0x2C | WORDB | RW | 0x00000000 | WordB register |
| 0x30 | WORDC | RW | 0x00000000 | WordC register |
| 0x34 | WORDD | RW | 0x00000000 | WordD register |
| 0x38 | WORDE | RW | 0x00000000 | WordE register |
| 0x3C | WORDF | RW | 0x00000000 | WordF register |
| 0x40 | WORD10 | RW | 0x00000000 | Word10 register |
| 0x44 | WORD11 | RW | 0x00000000 | Word11 register |
| 0x48 | WORD12 | RW | 0x00000000 | Word12 register |
| 0x4C | WORD13 | RW | 0x00000000 | Word13 register |
| 0x50 | WORD14 | RW | 0x00000000 | Word14 register |
| 0x54 | WORD15 | RW | 0x00000000 | Word15 register |
| 0x58 | WORD16 | RW | 0x00000000 | Word16 register |

Table 205. StatMach.WORD0 register description

| Bit | Field name | Reset | RW | Description |
|------|-----------------|-------|----|--|
| 5:0 | UCHAN | 0x0 | RW | <p>Bluetooth® Low Energy unmapped channel index.</p> <p>UChan is used by the channel incremter and the remapper to generate a new Uchan and RemapChan values through the two algorithms defined by the Bluetooth core 5.0 specification.</p> <p>Note: this field is written back at the end of the transfer by the Sequencer:</p> <ul style="list-style-type: none"> - if TxRxPack.incchan = 0, written back value is the same value, - if TxRxPack.incchan = 1, written back value is the value modified by one of the two algorithms defined by the Bluetooth core 5.0 specification. <p>Note: the standard requests this bit field to be set to 0 for the first connection event.</p> |
| 6 | RADIOCOMLISTENA | 0x0 | RW | <p>Radio command list enable.</p> <p>0: the Sequencer does not start a UDRA command to the RRM on a trig event.</p> <p>1: the Sequencer starts a UDRA command to the RRM on a trig event.</p> <p>The command number is related to the timer which triggered (0 for Wakeup timer, 1 for Timer1, 2 for Timer2).</p> |
| 7 | TXMODE | 0x0 | RW | <p>Transfer type selection of the current sequence.</p> <p>0: requested transfer is a reception. The start address of the TxRxPack packet in which the received data has to be stored is pointed by rcvpoint.</p> <p>1: requested transfer is a transmission. The start address of the TxRxPack packet to be transmitted is pointed by TxPoint.</p> <p>Note: this bit is overloaded by the Sequencer with the StatMach.NextTxMode bit value during each RAM write-back phase.</p> |
| 13:8 | REMAP_CHAN | 0x0 | RW | <p>Bluetooth® Low Energy remapped channel index.</p> <p>This is the remapped channel as described in algorithm1 and algorithm2 in Bluetooth core specification 5.0.</p> <p>This bit field is used by the hardware to generate the physical channel frequency.</p> <p>Note: this field is written back at the end of the transfer by the Sequencer:</p> <ul style="list-style-type: none"> - if TxRxPack.incchan = 0, written back value is the same value - if TxRxPack.incchan = 1, written back value is the value modified by one of the two algorithms defined by the Bluetooth core 5.0 specification and mapped to the used channels list. |

| Bit | Field name | Reset | RW | Description |
|-------|-------------------------------|-------|----|---|
| | | | | Note: the standard requests this bit field to be set to 0 for the first connection event. |
| 14 | SN | 0x0 | RW | <p>Bluetooth® Low Energy sequence number bit.</p> <p>If TxRxPack.SN_EN = 0 or TxRxPack.Advertise = 1, this bit is kept unchanged at the end of a transfer.</p> <p>If TxRxPack.SN_EN = 1 and TxRxPack.Advertise = 0, this bit is managed automatically by the hardware SN/NESN mechanism (as described in the Bluetooth core specification 5.0). Then, this bit is modified by the hardware only at the end of a reception (not on transmission).</p> <p>Note: in any case, this bit is written back by the Sequencer at the end of a transfer (modified or not).</p> |
| 15 | NESN | 0x0 | RW | <p>Bluetooth® Low Energy next expected sequence number bit.</p> <p>If TxRxPack.SN_EN = 0 or TxRxPack.Advertise=1, this bit is kept unchanged at the end of a transfer.</p> <p>If TxRxPack.SN_EN = 1 and TxRxPack.Advertise = 0, this bit is managed automatically by the hardware SN/NESN mechanism (as described in the Bluetooth core specification 5.0). Then, this bit is modified by the hardware only at the end of a reception (not on transmission).</p> <p>Note: in any case, this bit is written back by the Sequencer at the end of a transfer (modified or not).</p> |
| 19:16 | RESERVED19_16 | 0x0 | RW | Reserved |
| 20 | BUFFER_FULL(aka BUFFOVERFLOW) | 0x0 | RW | <p>No more receive buffer available.</p> <p>Set this bit to indicate no more buffer is available to receive any packet.</p> <p>In this case:</p> <ul style="list-style-type: none"> - no data are written back in the RAM at the end of the sequence - the SN/NESN automatic mechanism adapts its behavior by keeping the NESN unchanged and does not increment the encryption receive packet counter. <p>Note: the SN bit management is not impacted to keep the transmission progressing as long as the peer acknowledges the reception of the previous transmitted packet.</p> |
| 21 | ENCRYPTON | 0x0 | RW | <p>"On-the-fly" encryption/decryption engine enable.</p> <p>0: the "On the fly" encryption/decryption engine is disabled.</p> <p>1: the "On the fly" encryption/decryption engine is enabled. The parameters StateMach.EncryptIV and StateMach.EncryptK are read from RAM during the initialization phase.</p> <p>Note: the "On the fly" encryption/decryption engine does not run for packets with null length.</p> <p>Note: it is mandatory to have TxRxPack.SN_EN = 1 when StateMach.Encryption = 1 as PCntTx is incremented by the SN/NESN automatic management mechanism.</p> |
| 22 | TXENC | 0x0 | RW | <p>Previous transmission packet was encrypted.</p> <p>Note: this bit is fully managed by the hardware.</p> <p>It is set to 1 after the transmission of an encrypted packet (so with length not zero).</p> <p>When TxEnc = 0, PCntTx (transmission packet counter required for the sub-keys calculation) is unchanged.</p> <p>When TxEnc = 1, PCntTx may be incremented depending on the SN/NESN check result.</p> |
| 23 | RCVENC | 0x0 | RW | <p>Last receive packet was encrypted.</p> <p>Note: this bit is fully managed by the hardware.</p> <p>It is set to 1 after the reception of a packet with length not zero (whatever the CRC check result) if StateMach.Encryption = 1.</p> <p>When RcvEnc = 1, the PCntRcv (receive packet counter required for the sub-keys calculation) is incremented depending on the SN/NESN check result.</p> |
| 26:24 | TXPHY | 0x0 | RW | <p>Transmission Phy selection.</p> <ul style="list-style-type: none"> - 000: selected transmitter PHY is legacy 1 Mbps - 001: selected transmitter PHY is legacy 2 Mbps - 100: selected transmitter PHY is coded 1 Mbps with S=8 |

| Bit | Field name | Reset | RW | Description |
|-------|------------|-------|----|--|
| | | | | - 110: selected transmitter PHY is coded 1 Mbps with S=2 - Others: reserved for future use. If programmed by mistake, selects "Transmitter PHY is legacy 1 Mbps" option. |
| 27 | CTEDISABLE | 0x0 | RW | Disable the CTE feature. - 0: in transmission, the CTE is appended to the packet if TxRxPack.CTEAndSamplingEnable bit is set; in reception, the CTE detection is active. - 1: CTE is never appended on a transmitted packet and CTE detection mechanism is not active in reception whatever the rest of the RAM table bit fields linked to CTE. |
| 30:28 | RXPHY | 0x0 | RW | Reception Phy selection. bit0: bit rate (0=1 Mbps / 1=2 MBps) / bit1: does not care / bit2: coded/not coded. - 000: selected receiver PHY is legacy 1 Mbps - 001: selected receiver PHY is legacy 2 Mbps - 1x0: selected receiver PHY is coded 1 Mbps - Others: reserved for future use. If programmed by mistake, selects "Receiver PHY is not coded 1 Mbps" option. Note: S2/S8 coded choice comes from an auto-detection done by the demodulator. |
| 31 | RESERVED31 | 0x0 | RW | Ignored on write - read as zero |

Table 206. StatMach.WORD1 register description

| Bit | Field name | Reset | RW | Description |
|------|------------|-------|----|--|
| 31:0 | TXPOINT | 0x0 | RW | Pointer to transmit packet. TxPoint defines the start address of the TxRxPack link list (containing the parameters of the current transmission to be proceeded). This variable needs to be initialized by the firmware with the start address of the first TxRxPack of the transmission linked list each time a StateMach is created in memory (new connection). Then, TxPoint is managed by the hardware, considering the firmware has to guarantee the transmission link list is never empty (or pointing to itself). Note: this pointer address must be 32-bit aligned and is an absolute address (not an offset). |

Table 207. StatMach.WORD2 register description

| Bit | Field name | Reset | RW | Description |
|------|------------|-------|----|--|
| 31:0 | RCVPOINT | 0x0 | RW | Pointer to receive packet. Rcvpoint defines the start address of the TxRxPack link list (containing the parameters of the current reception to be proceeded). This variable needs to be initialized by the firmware with the start address of the first TxRxPack of the reception linked list each time a StateMach is created in memory (new connection). Then, RcvPoint is managed by the hardware, considering the firmware has to guarantee the reception link list is never empty (or pointing to itself). Note: this pointer address must be 32-bit aligned and is an absolute address (not an offset). |

Table 208. StatMach.WORD3 register description

| Bit | Field name | Reset | RW | Description |
|------|-------------|-------|----|--|
| 31:0 | TXPOINTPREV | 0x0 | RW | Pointer to previous transmit packet. This variable is fully managed by the hardware. It is recommended to initialize to 0 by the firmware when the StateMach is created in memory (new connection). TxPointPrev indicates which buffer can be reallocated (as it is now free). |

Table 209. StatMach.WORD4 register description

| Bit | Field name | Reset | RW | Description |
|------|--------------|-------|----|---|
| 31:0 | RCVPOINTPREV | 0x0 | RW | <p>Pointer to previous receive packet.</p> <p>This variable is fully managed by the hardware. It is recommended to initialize to 0 by the firmware when the StateMach is created in memory (new connection).</p> <p>RcvPointPrev indicates which buffer can be reallocated (as it is now free).</p> |

Table 210. StatMach.WORD5 register description

| Bit | Field name | Reset | RW | Description |
|------|-------------|-------|----|--|
| 31:0 | TXPOINTNEXT | 0x0 | RW | <p>Next transmit pointer.</p> <p>This variable is fully managed by the hardware. It is recommended to initialize to 0 by the firmware when the StateMach is created in memory (new connection).</p> <p>TxPointNext indicates the address of the TxRxPack transmit packet to be used once the transmission managed by the TxPoint is done (TxRxPack.NextPtr[31:0]).</p> <p>The TxPointNext bit field is always updated at the end of a transmission. Note: at the end of a valid reception with TxRxPack.SN_EN = 1 and TxRxPack.Advertise = 0, the StatMach.TxPoint is equal to the StatMach.TxPointNext.</p> |

Table 211. StatMach.WORD6 register description

| Bit | Field name | Reset | RW | Description |
|------|-------------|-------|----|---|
| 31:0 | PCNTTX_31_0 | 0x0 | RW | <p>CCM encryption transmission packet counter [31:0].</p> <p>PCntTx is used during the on the fly encryption of the transmission data by the AES encryption engine. For each new connection, Bluetooth protocol requires PCntTx to be initialized by the firmware to the value:</p> <ul style="list-style-type: none"> - 40'h8000000000: for data channel PDUs sent by the central - 40'h0000000000: for data channel PDUs sent by the peripheral <p>Note: it is mandatory to have TxRxPack.SN_EN = 1 when StateMach.Encryption = 1 as PCntTx is incremented by the SN/NESN automatic management mechanism.</p> |

Table 212. StatMach.WORD7 register description

| Bit | Field name | Reset | RW | Description |
|------|--------------|-------|----|--|
| 7:0 | PCNTTX_39_32 | 0x0 | RW | <p>CCM encryption transmission packet counter [39:32].</p> <p>PCntTx is used during the on the fly encryption of the transmission data by the AES encryption engine. For each new connection, Bluetooth protocol requires PCntTx to be initialized by the firmware to the value:</p> <ul style="list-style-type: none"> - 40'h8000000000: for data channel PDUs sent by the central - 40'h0000000000: for data channel PDUs sent by the peripheral <p>Note: it is mandatory to have TxRxPack.SN_EN = 1 when StateMach.Encryption = 1 as PCntTx is incremented by the SN/NESN automatic management mechanism.</p> |
| 31:8 | PCNTRCV_23_0 | 0x0 | RW | <p>CCM encryption receive packet counter [23:0].</p> <p>PCntRcv is used during the on the fly encryption of the received data by the AES encryption engine. For each new connection, Bluetooth protocol requires PCntRcv to be initialized by the firmware to the value:</p> <ul style="list-style-type: none"> - 40'h8000000000: for data channel PDUs received by the peripheral - 40'h0000000000: for data channel PDUs received by the central <p>Note: it is mandatory to have TxRxPack.SN_EN = 1 as PCntRcv is incremented by the SN/NESN automatic management mechanism.</p> |

Table 213. StatMach.WORD8 register description

| Bit | Field name | Reset | RW | Description |
|-------|----------------|-------|----|---|
| 15:0 | PCNTRCV_39_24 | 0x0 | RW | <p>CCM encryption receive packet counter [39:24].</p> <p>PCntRcv is used during the on the fly encryption of the received data by the AES encryption engine.</p> <p>For each new connection, Bluetooth protocol requires PCntRcv to be initialized by the firmware to the value:</p> <ul style="list-style-type: none"> - 40'h8000000000: for data channel PDUs received by the peripheral - 40'h0000000000: for data channel PDUs received by the central <p>Note: it is mandatory to have TxRxPack.SN_EN = 1 as PCntRcv is incremented by the SN/NESN automatic management mechanism.</p> |
| 19:16 | PREAMBLEREP | 0x0 | RW | <p>Transmission preamble repetition number.</p> <p>Defines the number of repetitions of the transmitted preamble length for coded or uncoded phy. Keep it at 0 to have the Bluetooth® Low Energy standard preamble format (1 byte).</p> <p>Note: if StateMach.EnaPreambleRep = 0, this bit field is not taken into account.</p> <p>This feature is not Bluetooth standard.</p> |
| 20 | ENAPREAMBLEREP | 0x0 | RW | <p>Enable transmission preamble repetition.</p> <p>0: the preamble feature is disabled and the preamble length is as described in the Bluetooth core specification 5.0.</p> <p>1: the preamble feature is enabled and the preamble length is defined by StateMach.PreambleRep (for coded and uncoded phy).</p> <p>This feature is not Bluetooth standard.</p> <p>Note: even if the hardware allows this feature with the Coded PHY configuration, the combination of those 2 settings must be avoided as it creates some issues on long preamble sequence.</p> |
| 21 | DISABLECRC | 0x0 | RW | <p>CRC disable.</p> <p>If set, this bit:</p> <ul style="list-style-type: none"> - in reception: disables the check of the CRC - in transmission: no CRC field is generated nor inserted in the sent packet. <p>This feature is not Bluetooth standard.</p> <p>Note: when DisableCRC is set, a CRC error flag is systematically set at the end of a reception. Note that the SW is not supposed to track this flag in this configuration.</p> |
| 22 | MSBFIRST | 0x0 | RW | <p>Most significant bit is transmitted first:</p> <p>0: the Least Significant Bit of the least significant byte is transmitted first in the frame (as described in Bluetooth® Low Energy core specification 5.0).</p> <p>1: the Most Significant Bit of the Most significant byte is transmitted first in the frame.</p> <p>This feature is not Bluetooth standard compatible.</p> |
| 23 | RXMICDBG | 0x0 | RW | <p>Receive MIC debug.</p> <p>0: the decrypted MIC (locally computed) is stored in the payload buffer in RAM (at the end of the payload).</p> <p>1: the received MIC is stored in the payload buffer in RAM (at the end of the payload).</p> <p>When RXMICDBG bit is set, the RCVOK flag is raised at the end of a reception whatever the MIC error status (so even when a MIC error is detected).</p> <p>This feature is for debug.</p> |
| 28:24 | INTTXERROR | 0x0 | RW | <p>Transmission error interrupt enable.</p> <p>If IntTxError[n] = 1: an interrupt is generated and associated flag is set in Interrupt1Reg.TxError[n] if a TxError[n] event occurs during the transmission.</p> <p>If IntTxError[n] = 0: no interrupt nor associated flag in Interrupt1Reg.TxError[n] is available if a TxError[n] event occurs during the transmission.</p> |

| Bit | Field name | Reset | RW | Description |
|-----|--------------------|-------|----|---|
| | | | | Note: STATUSREG.TxError[n] bit is not impacted and always provides the TxError[n] unmasked information. |
| 29 | INTENCERROR | 0x0 | RW | <p>Receive encryption error interrupt enable.</p> <p>Note: the CRC check result is not considered by the interrupt enabled by IntEncErr.</p> <p>0: the receive encryption error interrupt is disabled.</p> <p>1: the receive encryption error interrupt is enabled (and associated interrupt flag is visible in Interrupt1Reg.EncError).</p> <p>The interrupt is active if the MIC of the received message does not match the computed one (while the preamble and the access address are received ok, StateMach.Encryption = 1 and the received length is not null).</p> <p>Note: the CRC check result is not taken into account for this interrupt.</p> |
| 30 | INTRXOVERFLOWERROR | 0x0 | RW | <p>Receive data path overflow error interrupt enable.</p> <p>0: the interrupt INTERRUPT1REG.IntRxOverflowError is disabled.</p> <p>1: the interrupt INTERRUPT1REG.IntRxOverflowError is enabled.</p> |
| 31 | RXDEBUGCRC | 0x0 | RW | <p>Debug mode of the CRC in reception.</p> <p>0: the received CRC is not saved with payload in RAM (this is the normal mode).</p> <p>1: the received CRC is saved with payload in RAM (this is a debug mode).</p> <p>Warning: the SW has to revert the endianness on the CRC data available in the DataBuffer as the hardware stores the value with the same endianness as the PDU.</p> <p>When set:</p> <ul style="list-style-type: none"> the packet is accepted whatever the CRC: so if CRC errors, then the RCVOK flag is set anyway and no CRC error flag is raised. the DataPack RAM buffer size must take into account the 3 additional CRC bytes. |

Table 214. StatMach.WORD9 register description

| Bit | Field name | Reset | RW | Description |
|------|------------|-------|----|---|
| 31:0 | ACCADDR | 0x0 | RW | <p>Packet access address.</p> <p>This value is used in transmission and in reception.</p> <p>- in transmission, it is inserted in the packet after the preamble.</p> <p>- in reception, it is used by the demodulator to detect and accept a received packet.</p> <p>Note: the nature of a packet (primary advertising, secondary advertising or data) is only defined by TxRxPack.Advertise so StateMach.Accadr = 0x8E89BED6 does not mean that the packet is an advertising packet.</p> |

Table 215. StatMach.WORDA register description

| Bit | Field name | Reset | RW | Description |
|-------|-------------------|-------|----|---|
| 23:0 | CRCINIT | 0x0 | RW | <p>CRC initialization value.</p> <p>This value is used to initialize the CRC for Data packet or for AUX_SYNC_IND PDU and its subordinate set.</p> <p>This field is ignored if TxRxPack.CRCINITSEL = 0.</p> |
| 31:24 | MAXRECEIVEDLENGTH | 0x0 | RW | <p>Maximum receive length.</p> <p>Defines the maximum receive length the Bluetooth LE link controller can accept.</p> <p>If the length of the received packet is greater than this value, the hardware limits the payload RAM write-back data to the defined maximum length and stops the reception treatment on this defined maximum length (implying also CRC error, etc.)</p> <p>The ReceiveLengthError event is raised (visible in STATUSREG and if associated interrupt is enabled in INTERRUPT1REG register).</p> |

| Bit | Field name | Reset | RW | Description |
|-----|------------|-------|----|--|
| | | | | The received packet is processed normally when the received length located in the received packet header is smaller or equal to StateMach.MaxReceivedLength. |

Table 216. StatMach.WORDB register description

| Bit | Field name | Reset | RW | Description |
|-------|-----------------------|-------|----|--|
| 4:0 | PAPOWER | 0x0 | RW | Power Amplifier Power. It defines the transmission output power level expressed in dBm as described in Section 25.8.4.2.2: PaPower bit field description. |
| 7:5 | RESERVED7_5 | 0x0 | RW | Ignored on write - read as zero. |
| 13:8 | HOPINCR | 0x0 | RW | Hop increment. Defines the hop increment as described in the algorithm 1 of the Bluetooth 5.0 core specification. |
| 15:14 | RESERVED15_14 | 0x0 | RW | Ignored on write - read as zero. |
| 31:16 | USEDCHANNELFLAGS_15_0 | 0x0 | RW | Remapping flags[15:0] for all 37 Bluetooth® Low Energy channels. The remapping flags are used by the Bluetooth smart algorithm 1 and 2. If bit(n) = 1, the channel n may be used for reception or transmission. If bit(n) = 0, the channel n cannot be used for reception or transmission. Note: this parameter is described in channel classification/channel map in the Bluetooth core specification |

Table 217. StatMach.WORDC register description

| Bit | Field name | Reset | RW | Description |
|-------|------------------------|-------|----|---|
| 21:0 | USEDCHANNELFLAGS_36_16 | 0x0 | RW | Remapping flags[36:16] for all 37 Bluetooth® Low Energy channels. The remapping flags are used by the Bluetooth algorithm 1 and 2. If bit(n) = 1, the channel n may be used for reception or transmission. If bit(n) = 0, the channel n cannot be used for reception or transmission. Note: this parameter is described in channel classification/channel map in the Bluetooth core specification . |
| 31:22 | RESERVED31_22 | 0x0 | RW | Ignored on write - read as zero. |

Table 218. StatMach.WORDD register description

| Bit | Field name | Reset | RW | Description |
|-------|---------------|-------|----|---|
| 15:0 | EVENTCOUNTER | 0x0 | RW | Event counter value. Contains a copy of the event counter value, used by the channel incrementer to compute the algorithm #2. This value can be the Connection event counter, the Periodic Advertising event counter, the BIS event counter or the CIS event counter. This bit field has to be managed by the SW. |
| 31:16 | RESERVED31_16 | 0x0 | R | Ignored on write – read as zero. |

Table 219. StatMach.WORDE register description

| Bit | Field name | Reset | RW | Description |
|------|----------------|-------|----|--|
| 31:0 | ENCRYPTIV_31_0 | 0x0 | RW | Initial vector for encryption [31:0]. This value is used by the AES engine during on the fly AES CCM encryption. See Bluetooth Low Energy CCM encryption description in Bluetooth LE core specification. |

Table 220. StatMach.WORDF register description

| Bit | Field name | Reset | RW | Description |
|------|-----------------|-------|----|---|
| 31:0 | ENCRYPTIV_63_32 | 0x0 | RW | Initial vector for encryption [63:32]. This value is used by the AES engine during on the fly AES CCM encryption. See Bluetooth Low Energy CCM encryption description in Bluetooth LE core specification. |

Table 221. StatMach.WORD10 register description

| Bit | Field name | Reset | RW | Description |
|------|---------------|-------|----|---|
| 31:0 | ENCRYPTK_31_0 | 0x0 | RW | Encryption key [31:0]. This value is used by the AES engine during on the fly AES CCM encryption. See Bluetooth Low Energy CCM encryption description in Bluetooth LE core specification. |

Table 222. StatMach.WORD11 register description

| Bit | Field name | Reset | RW | Description |
|------|----------------|-------|----|--|
| 31:0 | ENCRYPTK_63_32 | 0x0 | RW | Encryption key [63:32]. This value is used by the AES engine during on the fly AES CCM encryption. See Bluetooth Low Energy CCM encryption description in Bluetooth LE core specification. |

Table 223. StatMach.WORD12 register description

| Bit | Field name | Reset | RW | Description |
|------|----------------|-------|----|--|
| 31:0 | ENCRYPTK_95_64 | 0x0 | RW | Encryption key [95:64]. This value is used by the AES engine during on the fly AES CCM encryption. See Bluetooth Low Energy CCM encryption description in Bluetooth LE core specification. |

Table 224. StatMach.WORD13 register description

| Bit | Field name | Reset | RW | Description |
|------|-----------------|-------|----|---|
| 31:0 | ENCRYPTK_127_96 | 0x0 | RW | Encryption key [127:96]. This value is used by the AES engine during on the fly AES CCM encryption. See Bluetooth Low Energy CCM encryption description in Bluetooth LE core specification. |

Table 225. StatMach.WORD14 register description

| Bit | Field name | Reset | RW | Description |
|-----|--------------|-------|----|--|
| 0 | AOD_nAOA | 0x0 | RW | It indicates to the IP_BLE the type of CTE for transmission mode to manage or not an antenna switching sequence. 0: Angle of Arrival (AoA) type is used for the transmission. 1: Angle of Departure (AoD) type is used for the transmission. This bit field is used only when StatMach.TxMode = 1, TxRxPack.CTEAndSamplingEnable = 1 and StatMach.CTEDisable = 0. |
| 1 | CTESLOTWIDTH | 0x0 | RW | It indicates the CTE Slot width value: 0: CTE time slot is 1 μ s: antenna switching to be done every 2 μ s. 1: CTE time slot is 2 μ s: antenna switching to be done every 4 μ s. This bit field is used by the IP_BLE: <ul style="list-style-type: none"> In transmission for AoD feature (StatMach.TxMode = 1 and StatMach.AoD_nAoA = 1) to control the antenna switching timing. |

| Bit | Field name | Reset | RW | Description |
|-------|------------------------|-------|----|--|
| | | | | <ul style="list-style-type: none"> In reception for AoA feature (StatMach.TxMode = 0 and StatMach.AoD_nAoA = 0) to control the antenna switching and IQ sampling timing. <p>Note:</p> <ul style="list-style-type: none"> in AoD reception, the CTESlotWidth information is decoded in the CTEInfo bit field of the received frame, in AoA transmission, the transmitter does not need this information as it simply sends the CTE sequence on its unique antenna. |
| 6:2 | CTETIME | 0x0 | RW | <p>It provides to the IP_BLE the duration of the Constant Tone Extension to be appended in transmission mode.</p> <p>The value is given in 8 μs unit (as the CTETime bit field of the Bluetooth LE standard).</p> <p>This bit field is used only when StatMach.TxMode = 1, TxRxPack.CTEAndSamplingEnable = 1 and StatMach.CTEDisable = 0.</p> |
| 7 | RESERVED7 | 0x0 | RW | Reserved |
| 14:8 | MAXIMUMIQSAMPLESNUMBER | 0x0 | RW | <p>It indicates the maximum number of IQ samples that is written during a CTE reception.</p> <p>If the CTETime leads to more samples, the MR_BLE stops storing the IQ samples in RAM when this number is reached.</p> <p>This bit field is used only when StatMach.TxMode = 0, TxRxPack.CTEAndSamplingEnable = 1 and StatMach.CTEDisable = 0.</p> <p>Note: despite the Bluetooth LE standard specifying that the maximum possible number of IQ samples is 82, the MR_BLE offers the possibility to customize the maximum number of IQ sampling to store from 0 to 127.</p> |
| 15 | RESERVED15 | 0x0 | RW | Reserved |
| 23:16 | ANTENNALENGTH | 0x0 | RW | <p>Length of the antenna switching pattern located at address provided by StatMach.AntennaPatternPtr[31:0].</p> <p>This bit field is used only when TxRxPack.CTEAndSamplingEnable = 1 and StatMach.CTEDisable = 0.</p> <p>Note: if the CTE time is longer than the pattern length, the pattern is repeated by the hardware as indicated in the Bluetooth LE standard.</p> |
| 31:24 | RESERVED31_24 | 0x0 | RW | Reserved |

Table 226. StatMach.WORD15 register description

| Bit | Field name | Reset | RW | Description |
|------|--------------|-------|----|---|
| 31:0 | IQSAMPLESPTR | 0x0 | RW | <p>Pointer to IQ samples storage buffer (received during CTE reception).</p> <p>This pointer defines the start address of the RAM location where to store the received IQ samples during a Constant Tone Extension phase.</p> <p>The IQ samples are stored in words built with 16-bit LSB for Q[15:0] samples and 16-bit MSB for I[15:0].</p> <p>This bit field is used and verified only when StatMach.TxMode = 0, StatMach.CTEDisable = 0, TxRxPack.CTEAndSamplingEnable = 1 and StatMach.MaximumIQSamplesNumber > 0.</p> <p>Note: this pointer is an absolute address.</p> <p>Caution: this pointer address must be 32-bit aligned, otherwise the sequence is aborted at the end of the 1st INIT and STATUSREG.ADDPOINTERROR flag is raised.</p> |

Table 227. StatMach.WORD16 register description

| Bit | Field name | Reset | RW | Description |
|------|--------------|-------|----|---|
| 31:0 | ANTENNAIDPTR | 0x0 | RW | <p>Pointer to Antenna Pattern (for antenna switching sequence).</p> <p>This pointer defines the start address of the RAM location where to get the Antenna ID pattern to switch antenna during a Constant Tone Extension phase.</p> <p>Then Antenna pattern is a list of 8-bit Antenna Identifiers.</p> |

| Bit | Field name | Reset | RW | Description |
|-----|------------|-------|----|---|
| | | | | <p>The RAM buffer addressed by this pointer must contain at least StatMach.AntennaPatternLength bytes.</p> <p>This bit field is used and verified only when TxRxPack.CTEAndSamplingEnable = 1, StatMach.CTEDisable = 0 and StatMach.MaximumIQSamplesNumber>0.</p> <p>Note: this pointer is an absolute address.</p> <p>Caution: this pointer address must be 32-bit aligned, otherwise the sequence is aborted at the end of the 1st INIT and STATUSREG.ADDPOINTERROR flag is raised.</p> |

25.8.4.2.2 PaPower bit field description

The table below provides the PA power correspondence to program the StateMach.PaPower bit field.

The SMPS of the SoC must provide a minimum voltage to reach the targeted PaPower:

- SMPS output level = 1.4 V minimum up to 4 dBm
- SMPS output level = 1.55 V minimum for 5 dBm
- SMPS output level = 1.7 V minimum for 6 dBm

For 8 dBm, refer to the note after the table as this PaPower requests a specific configuration.

Refer to [Section 5.7: PWRC registers](#) for SMPS programming details.

Table 228. StatMach.PaPower values

| Value (Hexa) | Output power (dBm) | Value (Hexa) | Output power (dBm) | Value (Hexa) | Output power (dBm) | Value (Hexa) | Output power (dBm) |
|--------------|----------------------|--------------|--------------------|--------------|--------------------|--------------|--------------------|
| 1F | +6/+8 ⁽¹⁾ | 17 | -0.5 | F | -5.9 | 7 | -14.1 |
| 1E | +5 | 16 | -0.85 | E | -6.9 | 6 | -15.25 |
| 1D | +4 | 15 | -1.3 | D | -7.8 | 5 | -16.5 |
| 1C | +3 | 14 | -1.8 | C | -8.85 | 4 | -17.6 |
| 1B | +2 | 13 | -2.45 | B | -9.9 | 3 | -18.85 |
| 1A | +1 | 12 | -3.15 | A | -10.9 | 2 | -19.75 |
| 19 | 0 | 11 | -4 | 9 | -12.05 | 1 | -20.85 |
| 18 | -0.15 | 10 | -4.95 | 8 | -13.15 | 0 | -40 |

1. Several settings are needed to reach the +8 dBm in transmission:

- Program the SMPS located in the SoC to provide 1.9 V
- Program 0x1F in StatMach.PaPower[4:0] bit field
- Configure the LDO_TRANSFO in bypass mode by setting radio register LDO_ANA_ENG[1] = RFD_LDO_TRANSFO_BYPASS = 1

Warning: the LDO_ANA_ENG[1] = RFD_LDO_TRANSFO_BYPASS bit must be reset in reception.

25.8.4.3 TxRxPack RAM table

Table 229. TxRxPack RAM table

| Word | Byte addr | R/W | 7 | 6 | 5 | 4 | 3 | 2 | 1 | 0 | |
|------|-----------|-----------|-------------------|--------------|------------------|-------------|----------------------|---------------|--------------|---------|--|
| | | by IP_BLE | | | | | | | | | |
| 0x00 | 0x00 | R | NextPtr[7:0] | | | | | | | | |
| | 0x01 | | NextPtr[15:8] | | | | | | | | |
| | 0x02 | | NextPtr[23:16] | | | | | | | | |
| | 0x03 | | NextPtr[31:24] | | | | | | | | |
| 0x01 | 0x04 | R | IncChan | SN_EN | Advertise | CrclnitSel | CTEAndSamplingEnable | KeepSemaReq | ChanAlgo2Sel | CalReq | |
| | 0x05 | | subEventChanAlgo2 | | DisableWhitening | TxdataReady | | AllTableReady | NextTxMode | | |
| | 0x06 | | grey cells | | | | | | | | |
| | 0x07 | | grey cells | | | | | | | | |
| 0x02 | 0x08 | R/W | DataPtr[7:0] | | | | | | | | |
| | 0x09 | | DataPtr[15:8] | | | | | | | | |
| | 0x0A | | DataPtr[23:16] | | | | | | | | |
| | 0x0B | | DataPtr[31:24] | | | | | | | | |
| 0x03 | 0x0C | R | timer2[7:0] | | | | | | | | |
| | 0x0D | | timer2[15:8] | | | | | | | | |
| | 0x0E | | TrigDone | TrigRcv | grey cells | | Timer2En | timer2[19:16] | | | |
| | 0x0F | | IntRcvOk | IntRcvCrcErr | IntTimeCapture | IntRcvCmd | IntRcvNoMd | IntRcvTimeout | IntDone | IntTxOk | |

- Note:
- grey cells are unused cells
 - pink cells are related to debug/qualification topic.

25.8.4.3.1 TxRxPack RAM table register list
Table 230. TxRxPack

| Address offset | Name | RW | Reset | Description |
|----------------|-------|----|------------|----------------|
| 0x00 | WORD0 | RW | 0x00000000 | Word0 register |
| 0x04 | WORD1 | RW | 0x00000000 | Word1 register |
| 0x08 | WORD2 | RW | 0x00000000 | Word2 register |
| 0x0C | WORD3 | RW | 0x00000000 | Word3 register |

Table 231. TxRxPack.WORD0 register description

| Bit | Field name | Reset | RW | Description |
|------|------------|-------|----|---|
| 31:0 | NEXTPTR | 0x0 | RW | <p>Next pointer address entry of the linked list.</p> <p>Points to the next transmit or receive packet. The user must enter the absolute address, not an offset.</p> <p>Caution: This pointer must be 32-bit aligned or else STATUSREG.AddPointError is set (and INTERRUPT1REG.AddPointError if GlobalStatMach.IntAddPointError = 1).</p> |

Table 232. TxRxPack.WORD1 register description

| Bit | Field name | Reset | RW | Description |
|-----|----------------------|-------|----|---|
| 0 | CALREQ | 0x0 | RW | <p>Calibration request.</p> <p>0: RF PLL calibration feature is disabled. This setting is used when this calibration has already been done and if the radio did not go to low-power state.</p> <p>1: the RF PLL calibration feature is enabled. It must be performed at each channel frequency change or after the wakeup.</p> |
| 1 | CHANALGO2SEL | 0x0 | RW | <p>Channel hopping algorithm selection.</p> <p>if TxRxPack.incchan = 0, this bit field has no effect.</p> <p>if TxRxPack.incchan = 1:</p> <p>0: the algorithm #1 is used for the channel hopping for data channel. For primary advertising, channels are automatically incremented as follows: 37->38->39->37->etc. 1: the algorithm #2 is used for the channel hopping in data connection or for periodic advertising packets.</p> <p>Note: if TxRxPack.IncChan=0 then ChanAlgo2Sel bit has no effect.</p> |
| 2 | KEEPSEMAREQ | 0x0 | RW | <p>It indicates if the IP_BLE needs to keep the RRM token at the end of the current transfer.</p> <p>0: the token request is cleared when the controller starts its context saving.</p> <p>1: the token request is maintained high at the end of the sequence.</p> <p>Caution: This bit MUST be set to fit the IFS = 150 μs constraint.</p> <p>Indeed, when the token is released, the Radio FSM switches back to IDLE mode. The radio FSM needs around 45 μs more (ENA_RF_REG and ENA_CUR states) to go back to ACTIVE2 state on next Bluetooth LE sequence trig event.</p> |
| 3 | CTEANDSAMPLINGENABLE | 0x0 | RW | <p>It indicates the handling of the Constant Tone Extension for this packet.</p> <p>In transmission:</p> <p>0: the IP_BLE does not append CTE sequence at the end of the packet.</p> <p>1: the IP_BLE appends any CTE sequence at the end of the packet.</p> <p>In reception:</p> <p>0: the IP_BLE manages the CTE detection only to extract the CTETime information, keeping reception active until the end of the CTE phase but does not manage any other features like tie slot sampling or potential antenna switching. The goal is to keep the coherency about "last bit on the air time stamp" for TIFS management and no more.</p> |

| Bit | Field name | Reset | RW | Description |
|-----|------------------|-------|----|---|
| | | | | 1: the IP_BLE manages the CTE detection and reacts accordingly to information extracted from the received frame to manage sampling time slots and potential antenna switching. |
| 4 | CRCINITSEL | 0x0 | RW | CRC initialization value selector. 0: the transmit and the receive block initialize their CRC with a constant equal to: 0x555555. 1: the transmit and the receive block initialize their CRC with the value defined by StateMach.CrcInit. |
| 5 | ADVERTISE | 0x0 | RW | Advertise packet format. 0: the packet format stored in RAM or to be received is a data packet format. 1: the packet format stored in RAM or to be received is an advertise packet format. |
| 6 | SN_EN | 0x0 | RW | Automatic SN, NESN hardware mechanism enable. 0: automatic SN/NESN hardware mechanism is disabled. The receive pointers and transmit pointers are systematically shifted independently of SN, NESN bits and also on a receive timeout sequence. 1: automatic SN/NESN hardware mechanism is enabled. |
| 7 | INCCHAN | 0x0 | RW | Automatic channel incrementer enable. When enabled, the automatic channel incrementer takes as input StateMach.UChan, TxRxPack.Advertise, TxRxPack.ChanAlgo2Sel, StateMach.Remap_chan, StateMach.hopincr, StateMach.UsedChannelFlags, StateMach.connEventCounter and StateMach.paEventCounter. 0: automatic channel incrementer is disabled. 1: automatic channel increment is enabled. |
| 8 | NEXTTXMODE | 0x0 | RW | Flag indicating if next TxRx packet to be handled by the link controller StateMach is a receive packet or a transmit packet. The Sequencer overloads StateMach.TxMode value with NextTxMode value during each RAM write back phase. 0: next TxRx packet is a receive packet. 1: next TxRx packet is a transmit packet. |
| 9 | ALLTABLEREADY | 0x0 | RW | All table data ready. This bit is checked at the beginning of the 2 nd INIT phase to ensure bit fields related to on-going transfer and about to be read are relevant. 0: the RAM table information related to the on-going transfer is not ready. The transmission is not started by the Sequencer. 1: the RAM table information related to the on-going transfer is ready. The transmission is started by the Sequencer. Note: the goal of this bit is to allow the software to block a transfer if RAM table update is not over. |
| 10 | TXDATAAREADY | 0x0 | RW | Transmission data ready. This bit is checked only if the current transfer is a transmission. The check is done at the beginning of the DATA INIT phase to ensure that at least a few bytes of the transmission payload are already written in the data buffer. This bit allows doing an "On the fly" data buffer memcopy while transmission has already started on the antenna. 0: the transmission payload is not ready. The transfer is not started by the Sequencer. 1: the transmission payload is ready so the transfer is started by the Sequencer. Note: the recommendation for transmission data payload is to set this TxDataReady bit only when at least 16 bytes of data are available in the payload data buffer. |
| 11 | RESERVED11 | 0x0 | RW | Reserved. It must be kept at 0. |
| 12 | DISABLEWHITENING | 0x0 | RW | Whitening Disable. |

| Bit | Field name | Reset | RW | Description |
|-------|-------------------|-------|----|--|
| | | | | 0: the whitening is enabled in the transmit block and in the receive block. 1: the whitening is disabled in the transmit block and in the receive block. This may be used for debug or during official Bluetooth compliance test. |
| 13 | SUBEVENTCHANALGO2 | 0x0 | RW | Select the SubEvent Channel computation in the channel incremter block when the algorithm #2 is used. Used only when IncChan=1 and ChanAlgo2Sel=1. |
| 31:14 | RESERVED31_14 | 0x0 | RW | Reserved. |

Table 233. TxRxPack.WORD2 register description

| Bit | Field name | Reset | RW | Description |
|------|------------|-------|----|---|
| 31:0 | DATAPTR | 0x0 | RW | Data pointer address. Points to the data packet linked with TxRxPack (called DataPack in this document). This data packet contains the header and the data, excluding the preamble, the access address and the CRC. The Bluetooth LE link layer writes this packet in RAM in case of reception and reads it from RAM in case of transmission. Note: This pointer has no memory address alignment requirement. However, the software must write an absolute address (not an offset). If the 8-bit MSB part of the pointer value is not equal to the RAM 8-bit MAB address, an AddPointError flag is raised. |

Table 234. TxRxPack.WORD3 register description

| Bit | Field name | Reset | RW | Description |
|------|------------|-------|----|--|
| 19:0 | TIMER2 | 0x0 | RW | Timer2 triggering value setting. Defines the delay before next Timer2 trigger event if TxRxPack.Timer2En = 1. Time unit is in microseconds. Note: the Timer2 delay starts a bit earlier than the end of the on-going sequence (on last transmitted bit or last received bit and before the context saving phase). |
| 20 | TIMER2EN | 0x0 | RW | Timer2 enable (for next timer trig). 0: Timer2 disabled at the end of this current packet. 1: Timer2 is enabled at the end of this current packet. |
| 21 | RESERVED21 | 0x0 | RW | Ignored on write - read as zero. |
| 22 | TRIGRCV | 0x0 | RW | Time capture enable on received preamble and access address pattern detection. 0: no time stamping requested on preamble + access address detection. 1: the interpolated absolute time is captured in TIMERCAPTUREREG when the demodulator detects the preamble + access address in the received bit stream. When this bit is set and if a time capture occurs, the STATUSREG.TIMERCAPTURETRIG is set to 1. An interrupt is raised if enabled (associated to INTERRUPT1REG.TIMERCAPTURETRIG is set to 1). This bit must be set to 0 in transmission TxRxPack table not to disturb other time capture options. Note: if GlobalStatMach.TimeCapture or TxRxPack.TrigDone bit is set, the TIMERCAPTUREREG IP_BLE APB register shows this last event trig value at the end. |
| 23 | TRIGDONE | 0x0 | RW | Time capture enable on "On air" last transmitted/received bit. 0: no time stamping in TIMERCAPTUREREG is achieved, no interrupt is generated by TrigDone. 1: the interpolated absolute time is captured in TIMERCAPTUREREG when the demodulator receives the last bit of the bit stream or when the last transmitted has been shifted out of the transmit block. When this bit is set and if a time capture event occurs, the STATUSREG.TIMECAPTURETRIG is set to 1. An interrupt is raised if enabled (associated to INTERRUPT1REG.TrigDone set to 1). |

| Bit | Field name | Reset | RW | Description |
|-----|----------------|-------|----|---|
| | | | | Note: if GlobalStatMach.TimeCapture or TxRxPack.TrigRcv bit is set, the TIMERCAPTUREREG Bluetooth LE APB register shows this last event trig value at the end. |
| 24 | INTTXOK | 0x0 | RW | Interrupt enable of "good reception of transmitted packet is confirmed by the peer device". 0: the interrupt INTERRUPT1REG.TXOK is disabled 1: the INTERRUPT1REG.TXOK is enabled. Note: this interrupt has to be enabled in the RxPack table as the feature is active at the end of a reception. |
| 25 | INTDONE | 0x0 | RW | Done interrupt enable. 0: the INTERRUPT1REG.DONE is disabled. 1: the INTERRUPT1REG.DONE is enabled. |
| 26 | INTRCVTIMEOUT | 0x0 | RW | Receive timeout interrupt enable. 0: the interrupt INTERRUPT1REG.RCVTIMEOUT is disabled. 1: the interrupt INTERRUPT1REG.RCVTIMEOUT is enabled. |
| 27 | INTRCVNOMD | 0x0 | RW | No more Data (end of connection found) interrupt enable. 0: the interrupt INTERRUPT1REG.RCVNOMD is disabled . 1: the INTERRUPT1REG.RCVNOMD is enabled. |
| 28 | INTRCVCMD | 0x0 | RW | "Received packet is a command" interrupt enable. 0: the INTERRUPT1REG.RCVCMD is disabled. 1: the INTERRUPT1REG.RCVCMD is enabled. |
| 29 | INTTIMECAPTURE | 0x0 | RW | "Time Capture occurred" interrupt enable. 0: the interrupt INTERRUPT1REG.INTTIMECAPTURETRIG is disabled. 1: the interrupt INTERRUPT1REG.INTTIMECAPTURETRIG is enabled. Note: the event(s) responsible for the interrupt can be the Sequencer Time Capture and/or the TrigDone and/or the TrigRcv events. |
| 30 | INTRCVCRCERR | 0x0 | RW | Receive CRC error interrupt enable. 0: the interrupt INTERRUPT1REG.RCVCRCERR is disabled. 1: the interrupt INTERRUPT1REG.RCVCRCERR is enabled. |
| 31 | INTRCVOK | 0x0 | RW | Receive OK interrupt enable. 0: the interrupt INTERRUPT1REG.RCVOK is disabled. 1: the interrupt INTERRUPT1REG.RCVOK is enabled |

25.8.4.4 **DataPack RAM table**

The DataPack tables are the data buffer for reception or transmission packet. They are pointed by the TxRxPack.DataPtr value.

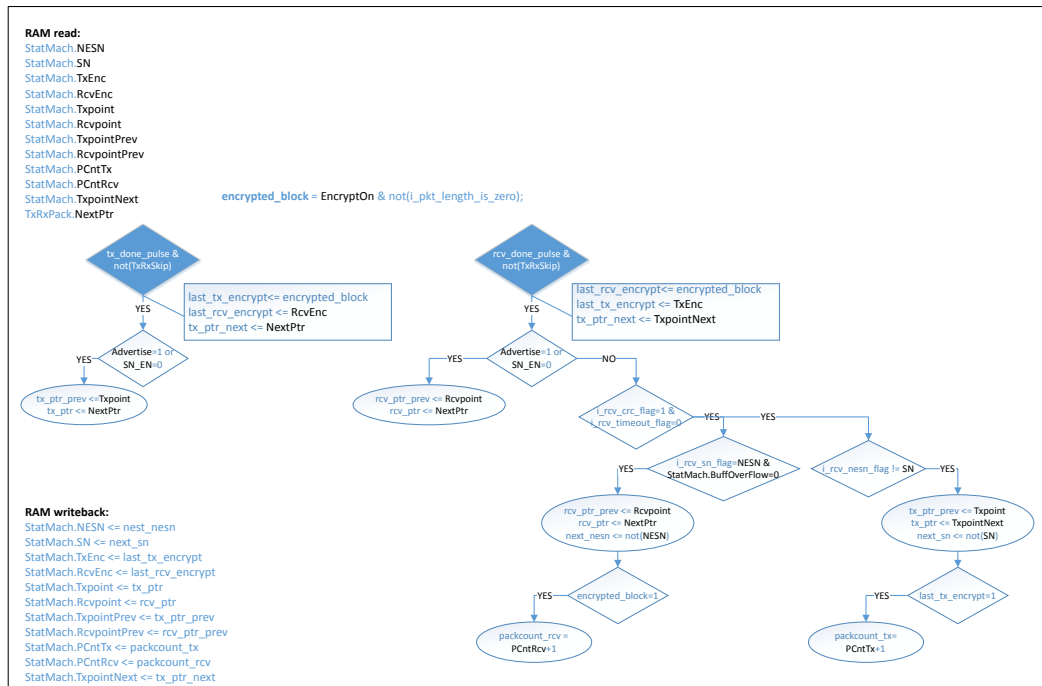
Their content corresponds to the PDU (header bytes, payload and potentially MIC for encrypted packets).

25.8.5 **Complementary information**

25.8.5.1 **Pointers management and packet counter**

The Sequencer updates the pointers and packet counters at the end of a transmission or a reception, depending on some parameters.

Figure 205. Pointer management and packet counter increment algorithm shows the actions made on the pointers and packet counter.

Figure 205. Pointer management and packet counter increment algorithm


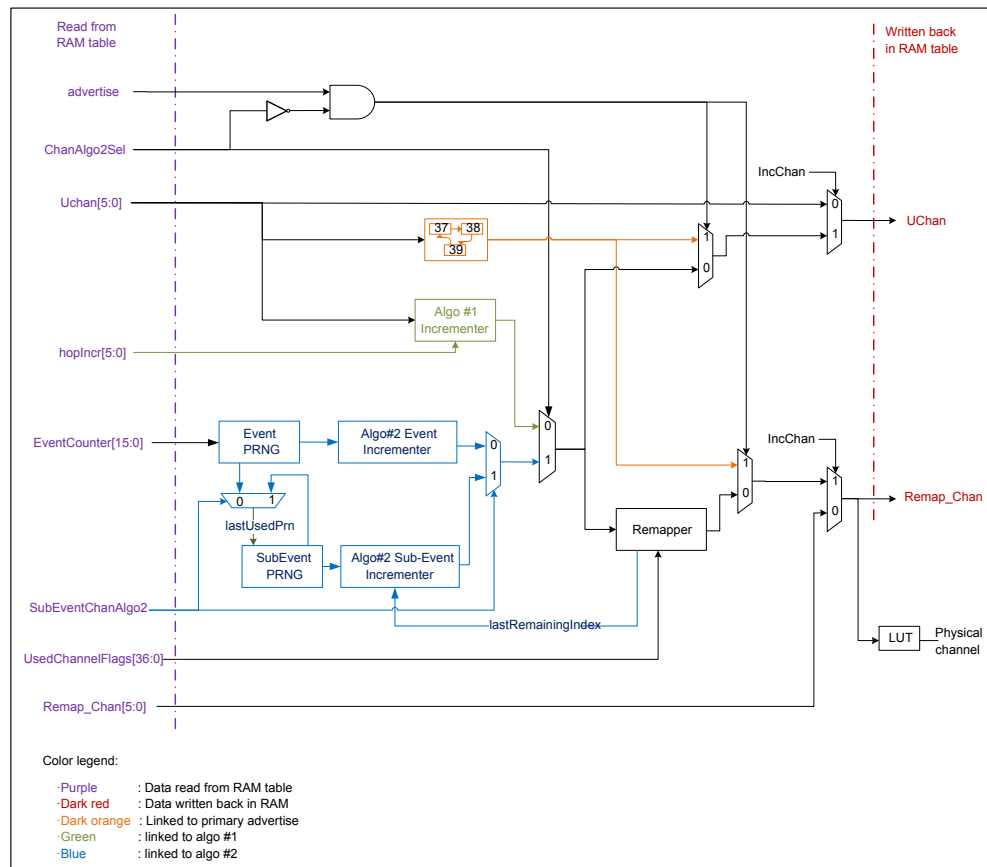
25.8.5.2 Channel number management

The Bluetooth LE link layer manages the channel frequency through different parameters located in the RAM table.

A channel incremter allows calculating a new channel if TxRxPack.IncChan bit is set. The algorithm (#1 or #2) is selected through the TxRxPack.ChanAlgo2Sel bit.

In addition, a remap is done to fit with the StatMach.UserChannelFlags if TxRxPack.IncChan bit is set.

Figure 206. Bluetooth LE link layer channel management overview presents an overview of the channel number management.

Figure 206. Bluetooth LE link layer channel management overview


When the channel incrementer hardware block is used (IncChan = 1), the selection of the algorithm must be managed by the SW following Table 235. Truth table to select the correct algorithm below.

Table 235. Truth table to select the correct algorithm

| TxRxPack | | | Selected algorithm |
|-----------|--------------|-------------------|--|
| Advertise | ChanAlgo2Sel | SubEventChanAlgo2 | |
| 0 | 0 | X | Algorithm #1 is used for the channel hopping for data channel. |
| 1 | 0 | X | Primary advertising channels selected with automatic incrementation as follows: 37 → 38 → 39 → 37 → 38... Note: this configuration should not be used when running on secondary advertising channels (undefined behavior). |
| 0 | 1 | 0 | Algorithm #2 for an event channel (connection, secondary Advertising or CIS/BIS event) is used for the channel hopping for data channel. |
| 0 | 1 | 1 | Algorithm #2 for a subevent channel (for example CIS/BIS subevent) is used for the channel hopping for data channel. |
| 1 | 1 | 0 | Algorithm #2 is used for the channel hopping for Periodic Advertising channel. Note: this configuration should not be used when running on primary advertising channels (undefined behavior). |
| 1 | 1 | 1 | Not supposed to be used with Bluetooth specification/use-cases. |

In addition, the following table lists the different bit field in RAM tables linked to the channel number management and indicates which ones are used at hardware level according to targeted algorithm (#1 or #2).

Table 236. RAM table bit fields usage versus algorithm number

| Bit field | RAM table | Read/write-back | Considered | |
|------------------------|-----------|---------------------|-------------|-------------|
| | | | for Algo #1 | for Algo #2 |
| InChan | TxRxPack | Read | Yes | Yes |
| ChannelAlgo2Sel | TxRxPack | Read | Yes | Yes |
| EventCounter[15:0] | StatMach | Read | No | Yes |
| SubEventChanAlgo2 | TxRxPack | Read | No | Yes |
| advertise | TxRxPack | Read | Yes | Yes |
| accaddr[31:0] | StatMach | Read | No | Yes |
| UsedChannelFlags[36:0] | StatMach | Read | Yes | Yes |
| hopincr[5:0] | StatMach | Read | Yes | No |
| UChan[5:0] | StatMach | Read / Written back | Yes | No |
| Remap_chan[5:0] | StatMach | Read / Written back | Yes | Yes |

25.8.5.3 Time capture

The IP_BLE can capture the absolute time on specific events.

The capture feature is enabled inside the RAM tables and the result is provided in an IP_BLE APB register called TIMECAPTUREREG[31:0].

The events that can be time stamped / captured are:

- Sequencer reaches the end of 1st INIT step (*InitDelay* timeout)
- Sequencer reaches the end of DATA INIT step (init_radio_delay timeout)
- “On the air” last bit transmitted/received bit (depending on Rx or Tx current mode)
- Preamble + Access Address detection event on a reception

The time capture service is associated to an interrupt flag that is enabled through the TxRxPack.IntTimeCapture bit and status / interrupt flag at the end of the sequence is available in the IP_BLE APB STATUSREG.TIMECAPTURETRIG (and INTERRUPT1REG.TIMECAPTURETRIG if interrupt is enabled inside the TxRxPack table).

If several events are requested to be captured on a same sequence (e.g. Sequencer reaches end of 1st INIT and “on the air” last bit), the latest occurrence is the available time inside the TIMECAPTUREREG register.

On a transmission sequence:

Table 237. Transmission sequence

| GlobStatMach | | TxRxPack | | IP_BLE APB |
|--------------|----------------|----------|----------|---------------------------------------|
| TimeCapture | TimeCaptureSel | TrigRcv | TrigDone | TIMECAPTUREREG |
| 0 | x | x | 0 | Sequencer end of 1 st INIT |
| 1 | 0 | x | 0 | Sequencer end of 1 st INIT |
| 1 | 1 | x | 0 | Sequencer end of DATA INIT |
| x | x | x | 1 | “On the air” last transmitted bit |

Table 238. Reception sequence

| GlobStatMach | | TxRxPack | | IP_BLE APB |
|--------------|----------------|----------|----------|--|
| TimeCapture | TimeCaptureSel | TrigRcv | TrigDone | TIMECAPTUREREG |
| 0 | x | 0 | 0 | Sequencer end of 1 st INIT |
| 1 | 0 | 0 | 0 | Sequencer end of 1 st INIT |
| 1 | 1 | 0 | 0 | Sequencer end of DATA INIT |
| x | x | 1 | 0 | Preamble + Access Address detection time |
| x | x | x | 1 | "On the air" last received bit |

25.8.5.4 Sequencer timings recommended values

The 2nd INIT and DATA INIT steps of the Sequencer use several timing parameters in addition to the `init_radio_delay`. This generic name covers 4 different durations depending on the transfer configuration (Tx/Rx, PLL calibration/No calibration).

For reminder, the Radio FSM and the Sequencer run in parallel with almost no handshake from the start of the 2nd INIT phase.

A set of timings is programmed in the GlobalStatMach to guarantee the Sequencer starts the transmission (respectively reception) phase with respect to the Radio FSM progress.

Figure 207. Timings of an Rx sequence and Figure 208. Timings of a Tx sequence show a summary of involved timings.

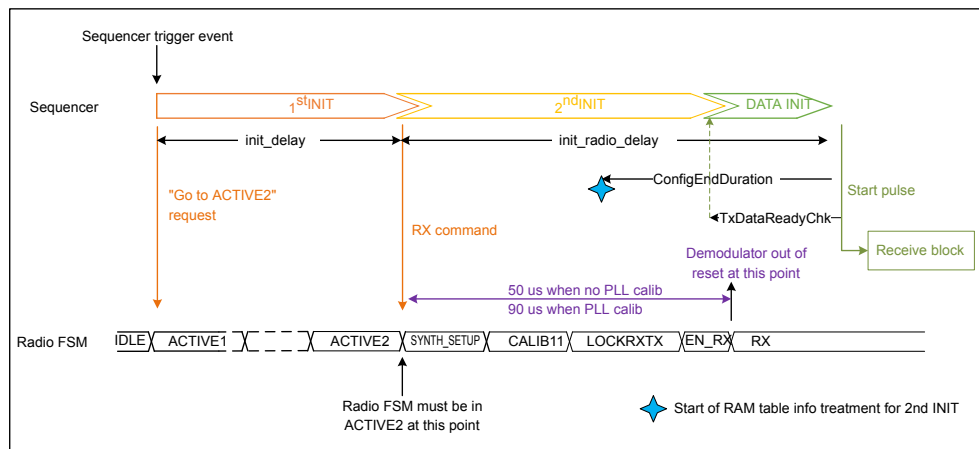
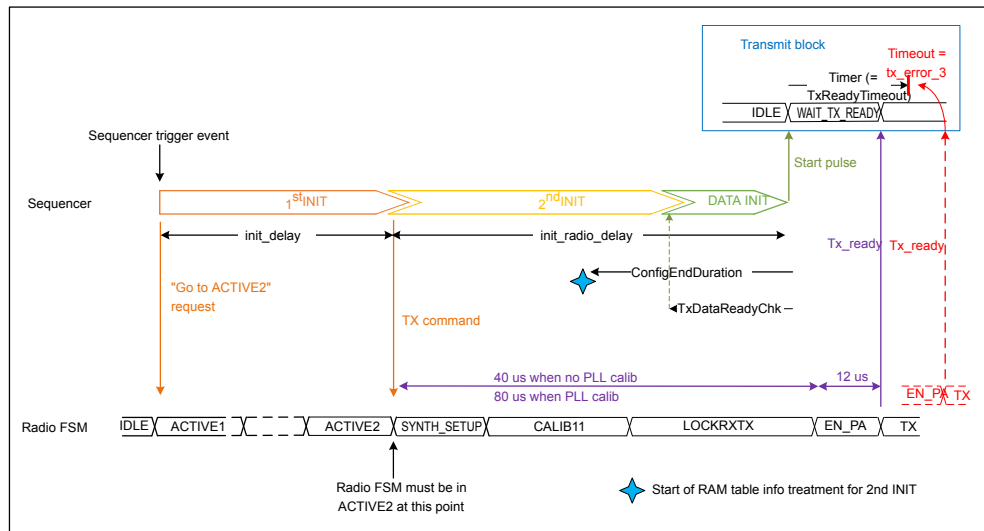
Figure 207. Timings of an Rx sequence


Figure 208. Timings of a Tx sequence


Reminder on main constraints for a transmission:

- the DATA_INIT step must end before the Radio FSM reaches the Tx state.
 - it is possible to take some margin as the TxReadyTimeout delay allows waiting for the confirmation that the Radio FSM is in Tx state before really starting the TxDelayStart timeout (see [Figure 202. Tx sequence](#)).
- if TxRxPack.IncChan = 0, the Sequencer reads the PaPower[4:0] information from the RAM table only after the ConfigEndDuration temporization.
 - the ConfigEndDuration value must be big enough to ensure the Sequencer treats this information before the Radio FSM reaches the EN_PA state.

Reminder on main constraints for a reception:

- the DATA_INIT step must end close to the moment the Radio FSM reaches the Rx state as it corresponds to the start of the Receive timeout window.
- the Sequencer transfers the StatMach.accaddr information in the AA0_DIG_USR to AA3_DIG_USR radio registers for the demodulator block. This transfer in the radio register is done only after the ConfigEndDuration temporization. This information is used by the demodulator and must be present before the Radio FSM reaches the Rx state.
 - the ConfigEndDuration value must be big enough to ensure the Sequencer starts the activity before the Radio FSM reaches the Rx state.

Table 239. Delays for Sequencer 2nd INIT step proposal shows some recommendations/proposals on values for some timings programmed through RAM tables.

Table 239. Delays for Sequencer 2nd INIT step proposal

| GlobalStatMach table bit field | Recommended value | Comments |
|--------------------------------|-------------------|---|
| TransmitNoCalDelayChk[7:0] | 0x32 (50d) | Theoretical exact duration from ACTIVE2 to Tx state is 52 μ s. Keep some margin to avoid timeout after Tx state. Then, use the TxReadyTimeout[7:0] to define the duration of the wait Tx state info for the transmit block. |
| TransmitCalDelayChk[7:0] | 0x5A (90d) | Theoretical exact duration from ACTIVE2 to Tx state is 92 μ s. Keep some margin to avoid timeout after Tx state. Then, use the TxReadyTimeout[7:0] to define the duration of the wait Tx state info for the transmit block. |
| ReceiveNoCalDelayChk[7:0] | 0x32 (50d) | Theoretical exact duration from ACTIVE2 to Rx state is 50 μ s. The delay can be programmed to 50us. |

| GlobalStatMach table bit field | Recommended value | Comments |
|--------------------------------|---|---|
| ReceiveCalDelayChk[7:0] | 0x5A (90d) | Theoretical exact duration from ACTIVE2 to Rx state is 90 μ s. The delay can be programmed to 90 μ s. |
| ConfigEndDuration[7:0] | at least 10 max is init_radio_delay | Note: <ul style="list-style-type: none"> if this value is too small, the Sequencer may not do all the AHB RAM table accesses on time. the user must take margin (not use the minimum value) when a concurrent AES operation occurs during the 2nd INIT of the Sequencer (Manual AEs or LE Privacy). |
| TxDataReadyCheck[7:0]k | between 1 and 5 | Can be increased to take more margin. Only impact is a potential useless extra waiting time before aborting when the Radio FSM / the sequence is broken. |
| TxReadyTimeout[7:0] | at least 5 | Can be increased to take more margin. Only impact is the Tx sequence abort is delayed with the same additional delay in case of real Radio FSM Tx sequence issue. |

25.8.6 Angle of arrival (AoA) and angle of departure (AoD)

The Bluetooth Core Specification v5.1 introduces new capabilities that support higher-accuracy direction finding. The Bluetooth direction finding exploits some of the fundamental properties of radio waves by taking several phases and amplitude measurements (across different antenna) that can be used in direction finding calculations at precise intervals in a process known as In-phase and Quadrature Sampling (IQ sampling).

Applications use this data in calculations that involve trigonometry and information about the design of the antenna array.

A single IQ sample consists of the wave's amplitude and phase angle represented as a set of Cartesian coordinates. Applications can transform this Cartesian representation into corresponding polar coordinates that yield the phase angle and the amplitude value.

The existing RAM tables have been upgraded to support the new hardware features (CTE, I/Q sampling and Antenna Switching) added to support the direction-finding topic.

25.8.6.1 RAM tables and registers impact

The existing RAM tables have been upgraded to support the new hardware features (CTE, I/Q sampling and Antenna Switching) added to support the direction-finding topic.

25.8.6.1.1 GlobalStatMatch RAM table

The GlobalStatMach table size has not been impacted: still 7 words = 28 bytes.

A new bit field has been added in the RFU existing Word6: DefaultAntennald[6:0] bit field in Word6[6:0].

This bit field is mandatory for the configurations where more than one antenna is present on the board.

This bit field indicates which antenna identifier must be used to transmit or receive packets without CTE or packet body (Preamble, Access Address, PDU, and CRC) for CTE enabled packets. This value is transmitted through the corresponding pads of the device to the external component located on the board to switch on the requested antenna.

25.8.6.1.2 StatMach RAM table

The StatMach RAM table size has been increased by 3 words for a total of 23 words = 92 bytes.

The additional bit fields are the following:

- CTEDisable bit in Word0[27]. If set,
 - in transmission: no CTE appended at the end of the Frame whatever the **TxRxPack.CTEAndSamplingEnable** bit value
 - in reception: no CTE detection nor treatment done on the PDU, frame treated as a Bluetooth[®] Low Energy core 5.0 or less format.

- CTETime[4:0] bit field in Word14[6:2]:
 - used only when **StatMach.CTEDisable=0, TxRxPack.CTEAndSamplingEnable=1 and StatMach.TxMode=1**,
 - same format as the CTEInfo CTETime bit field (time unit = 8 μ s),
 - provides the duration of the Constant Tone Extension to append after CRC.
- CTESlotWidth bit in Word14[1]:
 - in transmission and AoD use-case: used to control the antenna switching timing,
 - in reception and in AoA use-case: used to control the antenna switching and the I/Q sampling timings,
 - not needed in other configurations,
 - used only when **StatMach.CTEDisable=0, TxRxPack.CTEAndSamplingEnable=1**.
- MaximumIQSamplesNumber[6:0] bit field in Word14[14:8]:
 - needed in reception only to indicate the maximum I/Q samples that can be stored in RAM,
 - if more I/Q samples are received (CTE time longer than maximum samples allowed), the sequence goes on but the AHB master stops storing the additional receive samples.
 - used only when **StatMach.CTEDisable=0, TxRxPack.CTEAndSamplingEnable=1 and StatMach.TxMode=0**.
- IQSamplesPtr[31:0] bit field in Word15[31:0]:
 - needed in reception only to indicate the start address in RAM to store the I/Q samples received during the CTE,
 - the address contained by this pointer must be 32-bit aligned and MSByte value must be equal to the MSByte of the RAM base address of the device,
 - used and verified only when **StatMach.CTEDisable=0, TxRxPack.CTEAndSamplingEnable=1, StatMach.TxMode=0 and StatMach.MaximumIQsamplesNumber >0**.
- AntennaPatternLength[7:0] bit field in Word14[23:16]:
 - needed when antenna switching must be managed on the current transfer (in transmission if AoD / in reception if AoA),
 - defines the length of the Antenna ID pattern to be applied during the CTE. If the CTE duration requires more slots than the length defined here, the same pattern is repeated until the end of the CTE phase,
 - used only when **StatMach.CTEDisable=0 and TxRxPack.CTEAndSamplingEnable=1**.
- AoD_nAoA bit in Word14[0]:
 - used only when **StatMach.CTEDisable=0, TxRxPack.CTEAndSamplingEnable=1 and StatMach.TxMode=1**,
 - indicates to the transmitter if it has to manage antenna switching (AoD) or not (AoA) during the transmission when CTE is enabled.
- AntennaPatternPtr[31:0] bit field in Word16[31:0]:
 - needed when antenna switching has to be managed to indicate the start address of the antenna pattern (the antenna pattern is a list of 8-bit values describing the antenna identifier),
 - the RAM location addressed by the **StatMach.AntennaPatternPtr** shall contain at least **StatMach.AntennaPatternLength** bytes,
 - used and verified only when **StatMach.CTEDisable=0, TxRxPack.CTEAndSamplingEnable=1 and StatMach.AntennaPatternLength>0**.

25.8.6.1.3 TxRxPack RAM table

The TxRxPack RAM table size has been decreased by 1 word for a total of 4 words = 16 bytes.

A new CTEAndSamplingEnable bit has been added in Word1[3]. The role of this bit is to indicate to the MR_BLE IP:

- In transmission:
 - to append a Constant Tone Extension after the CRC
 - to manage the antenna switching if AoD use-case

- In reception:
 - to detect if the received frame has a CTE and to extract details from the CTEInfo
 - to manage the I/Q Sampling storage in RAM
 - to manage the antenna switching if AoA use-case.

25.8.6.2 Manage the feature in transmission

If the SW wants to append a Constant Tone Extension at the end of the frame, it has to:

- ensure the **StatMach.CTEDisable** bit is 0,
- program the CTE duration in the **StatMach.CTETime[4:0]** (same format as the CTETime bit field of the CTEInfo defined by the standard),
- set the **TxRxPack.CTEAndSamplingEnable** = 1 for this dedicated packet.

In case of encrypted frame, the AES encrypts or not the HEADER3 thanks to the TxRxPack.Advertise information.

Note:

The transmit block does not decode on the fly the bytes provided by the RAM Data Buffer (located at DataPtr address) to identify the CTE information. It relies on the information provided through the RAM table. It is the responsibility of the SW to guarantee the coherency between the CTE related bit field in RAM and the data in RAM that corresponds to the CTEInfo bit field inside the frame on the air.

In addition to the CTE append on the transmitted frame, if the device must manage the antenna switching (AoD configuration), the SW has to:

- define the default Antenna ID for the packet body through the **GlobalStatMach.DefaultAntennald[6:0]** bit field,
- provide the start address of the antenna pattern through the **StatMach.AntennaPatternPtr[31:0]** bit field,
- provide the antenna pattern / sequence length through the **StatMach.AntennaPatternLength[7:0]** bit field,
- fill the RAM location pointed by the **StatMach.AntennaPatternPtr[31:0]** bit field with 8-bit antenna identifier (the SW must ensure this RAM area contains at least **StatMach.AntennaPatternLength[7:0]** antenna ID),
- if needed, tune the TX_TIME_TO_SWITCH[6:0] timing in the ANTSW2_DIG_USR radio register to compensate potential delay between the modulator to antenna path versus antenna switching component control signals.

In parallel, the SW must ensure the SoC GPIOs have been programmed in the accurate configuration to output the Antenna Identifier and enable signals to the external component.

Note: To execute a transmission without CTE phase appended at the end of the frame, the SW just must set the StatMach.CTEDisable bit to 1.

25.8.6.3 Manage the feature in reception

25.8.6.3.1 CTE detection and decoding

If the SW wants the MR_BLE to execute a reception with the ability to detect if the received frame is a packet with or without CTE, it has to:

- set the **StatMach.CTEDisable** bit to 0,
- set the **TxRxPack.CTEAndSamplingEnable** bit to 1.

In case of encrypted frame, the AES decrypts or not the HEADER3 thanks to the TxRxPack.Advertise information.

Table 240. Behavior versus CTEDisable and CTEAndSampling bits value shows the behavior according to the combination between TxRxPack.CTEAndSamplingEnable and StatMach.CTEDisable.

Table 240. Behavior versus CTEDisable and CTEAndSampling bits value

| Configuration | Behavior |
|--|---|
| StatMach.CTEDisable = 1 and TxRxPack.CTEAndSamplingEnable = "don't care" | <p>The receiver behaves as a Bluetooth® Low Energy SIG 5.0 or before.</p> <ul style="list-style-type: none"> • the receiver does not try to decode any CTEInfo bit field inside the received frame, • the reception ends after CRC (if no DisableCRC bit set), |

| Configuration | Behavior |
|--|---|
| | <ul style="list-style-type: none"> the Timer2 (if enabled) starts at the end of the CRC. |
| StatMach.CTEDisable = 0 and TxRxPack.CTEAndSamplingEnable = 0 | <p>The receiver detects if CTE packet or not but does not sample the I/Q. This configuration allows keeping the synchronization on T_{IFS} with the transmitting device.</p> <ul style="list-style-type: none"> the receiver decodes any CTEInfo bit field inside the received frame if present, the reception ends after the CRC (if not a CTE packet) or after the CTE phase (if CTE packet detected), the Timer2 (if enabled) starts at the end of the reception (after CRC or CTE). |
| StatMach.CTEDisable = 0 and TxRxPack.CTEAndSamplingEnable = 1 | <p>The receiver detects if CTE packet or not and manages the I/Q sampling.</p> <ul style="list-style-type: none"> the receiver decodes any CTEInfo bit field inside the received frame if present, the reception ends after the CRC (if not a CTE packet) or after the CTE phase (if CTE packet detected), the Timer2 (if enabled) starts at the end of the reception (after CRC or CTE), the MR_BLE stores the I/Q sampling in RAM (according to options programmed in the RAM tables by the SW). |

During the reception, the receiver extracts from the frame the CTE info like duration, slot width and type.

The only configuration for which the MR_BLE needs to get the information from the RAM table is the Angle of Arrival (AoA). In this specific case, the slot width is not indicated in the CTEType[1:0] bit field:

- 00: AoA
- 01: AoD with 1 μ s slots
- 10: AoD with 2 μ s slots
- 11: reserved for future used

In AoA, the receiver device is the owner of the antenna switching and of the time slot width choice. In this specific configuration, the SW must provide the information through the **StatMach.CTESlotWidth** bit.

25.8.6.3.2 I/Q sampling

The MR_BLE stores the I/Q samples in words built as follows:

- I[15:0] as 16 MSbit
- Q[15:0] as 16 LSbit

As the AHB master writes both I and Q in one 32-bit access in RAM, the IQSamplesPtr must contain a 32-bit aligned address.

To manage a reception in CTE with I/Q sampling, the SW has:

- to set the reception has CTE aware (refer to previous sub-section),
- to program the maximum number of I/Q samples that are allowed to be written in RAM (between 0 and 127 I+Q) through the **StatMach.MaximumIQSamplesNumber[6:0]** bit field,
- to define the start address to store the I/Q samples in the **StatMach.IQSamplesPtr[31:0]**.

At the end of the reception, some status bit fields are provided to give visibility on what has been received:

- IP_BLE APB register called STATUS2REG [0] = IQSamplesReady.
 - when set, indicates I/Q sampling has been received
 - when set, means that the received frame embedded a Constant Tone Extension at the end
- IP_BLE APB register called STATUS2REG [7:1] = IQSamplesNumber[6:0]
 - provides the number of I/Q samples stored in RAM.

25.8.6.3.3 Antenna switching

In addition to the CTE detection and the I/Q sampling storage, in AoA, the device has to manage the antenna switching. To achieve this, the SW has to:

- define the default Antenna ID for the packet body through the **GlobalStatMach.DefaultAntennald[6:0]** bit field,

- provide the start address of the antenna pattern through the **StatMach.AntennaPatternPtr[31:0]** bit field,
- provide the antenna pattern / sequence length through the **StatMach.AntennaPatternLength[7:0]** bit field,
- fill the RAM location pointed by the **StatMach.AntennaPatternPtr[31:0]** bit field with 8-bit antenna identifier (the SW must ensure this RAM area contains at least **StatMach.AntennaPatternLength[7:0]** antenna ID),
- if needed, tune the **RX_TIME_TO_SWITCH[5:0]** timing in the **ANTSW1_DIG_USR** radio register to compensate potential delay between antenna path to demodulator versus antenna switching component control signals,
- if needed, tune the **RX_TIME_TO_SAMPLE[6:0]** timing in the **ANTSW0_DIG_USR** radio register to center the I/Q sampling action inside the slot window.

In parallel, the SW must ensure the SoC GPIOs have been programmed in the accurate configuration to output the Antenna Identifier and enable signals to the external component.

Note: The hardware automatically restarts the antenna switching pattern from its first element if there are more CTE slots than the AntennaPatternLength value provided in the StatMach.

25.8.6.4 Error management

Several error cases are treated at hardware level concerning CTE, I/Q sampling and antenna switching.

25.8.6.4.1 Invalid CTEType received

Expected values for the **CTEType[1:0]** bit field inside the **CTEInfo** are “00”, “01” or “10”. If the receiver decodes a **CTEType[1:0]** = “11” in a CTE packet, it behaves as if **TxRxPack.CTEAndSamplingEnable** = 0 (CTE time duration respected for reception phase but no I/Q sampling nor antenna switching management).

25.8.6.4.2 CTE length outside [20..2] window

The **MR_BLE** IP has been designed to support CTE length outside the standard limit to offer the possibility to develop proprietary versions or for trials in lab.

In reception:

- if CTE length > 20:
 - the reception is able to manage I/Q sampling and CTE phase for CTE length greater than the standard. For I/Q sampling, the limit used by the hardware is the **StatMach.MaximumIQSamplesNumber** bit field value.
- if CTE length < 2:
 - the reception is able to manage I/Q sampling and CTE phase for CTE length less than the standard.

In transmission:

- if CTE length > 20:
 - the transmission is able to manage a CTE duration longer than the longest indicated by the Bluetooth core specification 5.1 standard.
 - the **TXERROR_4** flag (and associated interrupt if enabled) is raised to inform the packet is not CTE standard compliant (but the transmission is executed with requested configuration).
- if CTE length < 2:
 - the transmission is able to manage a CTE duration shorter than the shortest indicated by the Bluetooth core specification 5.1 standard. Note that for duration = 0, this is equivalent to no CTE phase after CRC.
 - the **TXERROR_4** flag (and associated interrupt if enabled) is raised to inform the packet is not CTE standard compliant (but the transmission is executed with requested configuration).

25.8.6.4.3 CTE requested while long range is selected

The Bluetooth core specification 5.1 standard indicates the Constant Tone Extension feature does not concern the Coded PHY packets (long range configuration).

If the **MR_BLE** IP is in front of a contradictory configuration indicating coded PHY format and CTE enabled, the transfer is managed as a Coded PHY without CTE.

In reception, no CTE detection is activated (so no I/Q sampling nor antenna switching is managed either).

In transmission:

- no CTE phase is appended at the end of the frame,

- the TXERROR_4 flag (and associated interrupt if enabled) is raised to information the configuration is not CTE standard compliant.

25.8.6.4.4 IQSamplesPtr[31:0] or AntennaPatternPtr[31:0] not 32-bit aligned

The StatMach.IQSamplesPtr[31:0] and the StatMach.AntennaPatternPtr[31:0] must contain a 32-bit aligned address.

For IQSamplesPtr, an error is detected if:

- the StatMach.IQSamplesPtr[31:0] does not contain a modulo 4 value (32-bit aligned address),
- and StatMach.CTEDisable=0,
- and StatMach.CTEAndSamplingEnable=1,
- and StatMach.MaximumIQSamplesNumber[6:0] > 0.

For AntennaPatternPtr, an error is detected if:

- the StatMach. AntennaPatternPtr [31:0] does not contain a modulo 4 value (32-bit aligned address),
- and StatMach.CTEDisable=0,
- and StatMach.CTEAndSamplingEnable=1,
- and StatMach.AntennaPatternLength[7:0] > 0.

The associated error is a ConfigError (no RF transfer as the Sequencer aborts after the 1st INIT step). Refer to [Section 25.8.2.3.4: Configuration error](#) for details on the ConfigError behavior.

25.8.6.4.5 IQSamplesPtr[31:24] or AntennaPatternPtr[31:24] not equal to device RAM base address[31:24]

The StatMach.IQSamplesPtr[31:24] and the StatMach.AntennaPatternPtr[31:24] must contain a value equal to the RAM base address[31:24].

For IQSamplesPtr, an error is identified if:

- the StatMach.IQSamplesPtr[31:24] is different from the RAM base address[31:24],
- and StatMach.CTEDisable=0,
- and StatMach.CTEAndSamplingEnable=1,
- and StatMach.MaximumIQSamplesNumber > 0.

For AntennaPatternPtr, an error is detected if:

- the StatMach. AntennaPatternPtr [31:24] is different from the RAM base address[31:24],
- and StatMach.CTEDisable=0,
- and StatMach.CTEAndSamplingEnable=1,
- and StatMach.AntennaPatternLength[7:0] > 0.

The associated error is an AddPointError (no RF transfer as the Sequencer aborts after the 1st INIT step). Refer to [Section 25.8.2.3.5: Address pointer error](#) for details on the AddPointError behavior.

25.8.6.4.6 I/Q sampling storage overflow

In case of too high latency in AHB transfers between the MR_BLE IP and the RAM inside the device, some received I/Q samples could be overwritten inside the internal buffer before being transferred into the SoC RAM.

In this case:

- a status flag is raised in the STATUS2REG IP_BLE APB register: STATUS2REG [29] = IQSamplesMissingError,
- no more I/Q samples are written in RAM until the end of the CTE phase,
- the IQSamplesReady bit and the IQSamplesNumber bit fields are updated according to the real number of samples written in RAM,
- the rest of the reception goes on in a normal way (including antenna switching is AoA, despite no more samples being recorded).

Then, the SW has the choice to handle or not the partial list of received I/Q samples.

Note: This error is not supposed to occur as an internal FIFO has been put in place to buffer some I/Q samples and is supposed to be dimensioned according to the device bandwidth.

25.8.6.4.7 Antenna pattern length=1

The Bluetooth core specification 5.1 for the HCI_LE_Set_Connection_CTE_Receive_Parameters indicates the Length_of_switching_Pattern parameter must be at least 2, the MR_BLE IP, at hardware level, supports an antenna pattern length=1.

In this case, the reference period and the sample slots are done on the same antenna.

25.8.6.4.8 Antenna pattern read underflow

In case of too high latency in AHB transfers between the MR_BLE IP and the RAM inside the device, the next antenna ID may not be ready inside the antenna switching sub-block when the next antenna switching event is supposed to occur.

In this case:

- a flag is raised in the STATUS2REG IP_BLE APB register: STATUS2REG [30] = AntennaSwitchingPatternAccessError
- the antenna switching process goes on but with an unpredictable value on the antenna ID and shifted value once the read value is available.

Note: this error is not supposed to occur as an internal FIFO is present to store some anticipated antenna ID and is supposed to be dimensioned according to the device bandwidth.

25.8.7 AES

The MR_BLE IP embeds an AES hardware accelerator. This accelerator is encapsulated in a wrapper allowing a single accelerator core to be shared for 3 different actions/modes:

1. on-the fly encryption
2. manual encryption
3. LE privacy

In case of simultaneous requests for several modes, a priority mechanism serves the requester in the same order as the list order above.

25.8.7.1 On the fly encryption

This mode corresponds to an on-going Bluetooth encrypted transmission/reception.

In transmission, the AES encrypts the data read from the RAM DataPack table before transmitting them.

In reception, the AES decrypts the received data before storing them in the DataPack RAM table.

This mode is activated as soon as an RF transfer is done with the StatMach.EncryptOn bit set to '1'.

The on the fly AES feature can discriminate the part of the frame not concerned by encryption like the HEADER parts (including the HEADER3 when CTE is active in the frame).

Warning: the isochronous channels encryption is not managed by this hardware feature and needs to be done at SW level without enabling the hardware encryption.

This mode is the most priority mode and is always served first in case of concurrent requests not to impact the Bluetooth communication.

25.8.7.2 Manual encryption

The goal of this mode is to share the AES core embedded with the CPU of the SoC. As the Bluetooth[®] Low Energy link layer does not use this hardware resource all the time, the idea is to let the CPU process its own encryptions through this hardware accelerator. It avoids adding an extra AES core to the SoC if the share usage is acceptable.

A set of registers is present to manage this manual encryption (see [Section 25.8.9.1: IP_BLE controller register list](#)).

The process to fulfill a manual encryption is the following:

1. Enter the key in the MANAESxKEYREG registers (x from 0 to 3).
2. Enter the text to encrypt (16 bytes by computation) in the MANAESCLEARTEXTxREG (x from 0 to 3) registers.
3. Possibility to enable an interrupt to be informed when the computation is over by setting the MANAESCMDREG[1] = INTENA bit.
4. Launch the encryption by setting the MANAESCMDREG[0] = START bit.

5. Wait for end of computation:
 - a. If the interrupt mode is enabled, the interrupt line dedicated to AES (irq_BLE_int2 aka BLE_AES) is raised and the CPU gets the reason in the Interrupt2Reg[0] = AESMANENDINT bit.
 - b. Otherwise, the SW has to poll the MANAESSTATREG[0] = BUSY bit until it is cleared by hardware.
6. If interrupt is used, write 1 in the Interrupt2Reg[0] = AESMANENDINT bit to clear the flag.
7. The encrypted data / result is available in the MANAESCYPHERTEXTxREG (x from 0 to 3) registers.
8. If needed, the SW can restart from step 1 or step 2.

25.8.7.3 LE privacy

In MR_BLE IP, the Bluetooth® Low Energy link layer controller provides a hardware solution for the LE privacy resolution.

The process to fulfill the LE privacy resolution is the following:

1. The processor must provide the AES block with:
 - a. the address in RAM where to find the 128-bit key array through the AESLEPRIVPOINTERREG IP_BLE APB register.
 - b. the reference HASH through the AESLEPRIVHASHREG IP_BLE APB register.
 - c. the random number through the AESLEPRIVPRANDREG IP_BLE APB register.
 - d. the maximum key number through the AESLEPRIVCMDREG IP_BLE APB register (NBKEYS bit field).
2. Enable the AES LE privacy interrupt by setting the INTENA bit in the AESLEPRIVCMDREG IP_BLE APB register.
3. Launch the calculation by setting the Start bit in the AESLEPRIVCMDREG IP_BLE APB register (auto-cleared bit).
4. At the end of computation, the interrupt line dedicated to AES (irq_BLE_int2 aka BLE_AES) is raised and the CPU gets the reason in the INTERRUPT2REG [1] = AESLEPRIVINT bit.
5. Write 1 in the INTERRUPT2REG[1] = AESLEPRIVINT bit to clear the flag.
6. The results are then available in the following registers / bit fields:
 - a. the KEYFIND bit in the AESLEPRIVSTATREG IP_BLE APB register indicates if a key has been found (KEYFIND bit = 1) or not (KEYFIND) = 0 in the list,
 - b. if KEYFIND = 1, the KEYFINDINDEX[7:0] bit field in the AESLEPRIVSTATREG IP_BLE APB register indicates which key of the array is the one found.

25.8.8 MSB first feature

The MSB first feature, not compliant with the Bluetooth standard, is added to extend potential proprietary protocols.

The principle is:

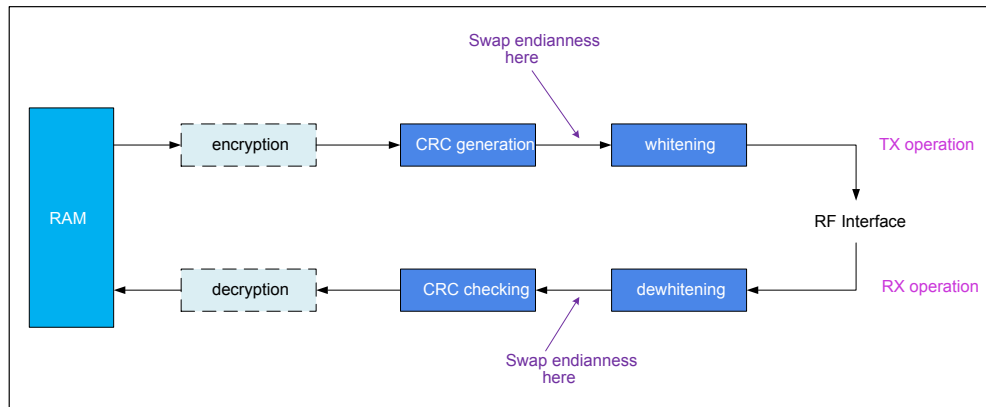
- in Tx: to swap the endianness inside transmitted bytes before whitening,
- in Rx: to swap the endianness inside received bytes after dewhitening.

The bit endianness modification is done only on the PDU part of the packet. This means:

- the PREAMBLE is sent as usual,
- the bit endianness inversion for the Access Address must be managed at SW level by reverting the endianness of the programmed value in the StatMach.AccAddr[31:0].

However, the MR_BLE receive block is able to manage the 2 first bytes of the PDU regardless of the endianness option:

- first byte to export its content (LLID, MD, SN, NESN)
- second byte to correctly extract the length information from the HEADER1

Figure 209. MSBFirst feature principle overview


The feature is enabled by setting the StatMach.MsbFirst bit.

This feature must not be enabled when at least one of the conditions below is true:

- the packet is in coded PHY format (long range),
- the CTE mode is enabled (StatMach.CTEDisable=0),
- the packet is encrypted,
- StatMach.DisableCRC = 0. Note that in this configuration, either Viterbi must be disabled or packet length=0 cannot be used.

There is no hardware mechanism to ensure previous forbidden configurations are not active at the same time as the MSBFirst feature. So, if the SW does not respect the rule, the integrity of the transfer is not guaranteed.

25.8.9 IP_BLE registers

25.8.9.1 IP_BLE controller register list

The BLUE_BLOCKBaseAddress keyword used for all the register base address information corresponds to the IP_BLE registers base address decided by the SoC when integrating the IP.

Note: BLUE_BLOCKBaseAddress is 0x6000_0000 in the STM32WB05xZ product.

Table 241. IP_BLE controller registers list

| Address offset | Name | RW | Reset | Description |
|----------------|----------------------|----|------------|---|
| 0x04 | INTERRUPT1REG | RW | 0x00000000 | INTERRUPT1REG register, related to sources of the irq_BLE_int1, aka BLE_TXRX interrupt line |
| 0x08 | INTERRUPT2REG | RW | 0x00000000 | INTERRUPT2REG register, related to sources of the irq_BLE_int2, aka BLE_AES |
| 0x0C | TIMEOUTDESTREG | RW | 0x00000000 | Timer1 and Timer2 enable/disable |
| 0x10 | TIMEOUTREG | RW | 0x00000000 | Timer1 and Timer2 timeout register |
| 0x14 | TIMERCAPTUREREG | R | 0x00000000 | Timer capture register |
| 0x18 | CMDREG | RW | 0x00000000 | CmdReg register |
| 0x1C | STATUSREG | R | 0x00000000 | Status register |
| 0x20 | INTERRUPT1ENABLEREG | R | 0x00000000 | This read-only register is a copy/summary of all the enable mask bits located in the different RAM tables. When '0', corresponding interrupt was masked during previous sequence. When '1', corresponding interrupt was enabled during the previous sequence. |
| 0x24 | INTERRUPT1LATENCYREG | R | 0x00000000 | Interrupt1 Latency register |
| 0x28 | MANAESKEY0REG | RW | 0x00000000 | Manual AES Key0 register |
| 0x2C | MANAESKEY1REG | RW | 0x00000000 | Manual AES Key1 register |
| 0x30 | MANAESKEY2REG | RW | 0x00000000 | Manual AES Key2 register |
| 0x34 | MANAESKEY3REG | RW | 0x00000000 | Manual AES Key3 register |
| 0x38 | MANAESCLEARTEXT0REG | RW | 0x00000000 | Manual AES ClearText0 register |
| 0x3C | MANAESCLEARTEXT1REG | RW | 0x00000000 | Manual AES ClearText1 register |
| 0x40 | MANAESCLEARTEXT2REG | RW | 0x00000000 | Manual AES ClearText2 register |
| 0x44 | MANAESCLEARTEXT3REG | RW | 0x00000000 | Manual AES ClearText3 register |
| 0x48 | MANAESCIPHERTEXT0REG | R | 0x00000000 | Manual AES CipherText0 register |
| 0x4C | MANAESCIPHERTEXT1REG | R | 0x00000000 | Manual AES CipherText1 register |
| 0x50 | MANAESCIPHERTEXT2REG | R | 0x00000000 | Manual AES CipherText2 register |
| 0x54 | MANAESCIPHERTEXT3REG | R | 0x00000000 | Manual AES CipherText3 register |
| 0x58 | MANAESCMDREG | RW | 0x00000000 | Manual AES CmdReg register |
| 0x5C | MANAESSTATREG | R | 0x00000000 | Manual AES Status register |
| 0x60 | AESLEPRIVPOINTERREG | RW | 0x00000000 | AES LE Privacy Pointer register |
| 0x64 | AESLEPRIVHASHREG | RW | 0x00000000 | AES LE Privacy Hash register |
| 0x68 | AESLEPRIVPRANDREG | RW | 0x00000000 | AES LE Privacy Prand register |
| 0x6C | AESLEPRIVCMDREG | RW | 0x00000000 | AES LE Privacy CmdReg register |
| 0x70 | AESLEPRIVSTATREG | R | 0x00000000 | AES LE Privacy Status register |
| 0x7C | STATUS2REG | R | 0x00000000 | STATUS2REG register |

25.8.9.2 IP_BLE controller register list description
Table 242. INTERRUPT 1REG register description

| Bit | Field name | Reset | RW | Description |
|-----|----------------|-------|----|--|
| 3:0 | RESERVED3_0 | 0x0 | R | Reserved |
| 4 | ADDPPOINTERROR | 0x0 | RW | Address Pointer Error. When read, indicates the interrupt status. |

| Bit | Field name | Reset | RW | Description |
|-----|--------------------|-------|----|---|
| 4 | ADDPPOINTERROR | 0x0 | RW | Write 1'b1 to clear. |
| 5 | RXOVERFLOWERROR | 0x0 | RW | Receive Overflow. |
| | | | | When read, indicates the interrupt status. Write 1'b1 to clear. |
| 6 | RESERVED6 | 0x0 | R | Reserved |
| 7 | SEQDONE | 0x0 | RW | Sequencer end of task. |
| | | | | When read, indicates the interrupt status. Write 1'b1 to clear. |
| 8 | TXERROR_0 | 0x0 | RW | Transmission error 0: transmit block missing data error. When read, indicates the interrupt status. Write 1'b1 to clear. |
| 9 | TXERROR_1 | 0x0 | RW | Transmission error 1: a Tx skip happened during an on-going transmission. |
| | | | | When read, indicates the interrupt status. Write 1'b1 to clear. |
| 10 | TXERROR_2 | 0x0 | RW | Transmission error 2: channel index is greater than 39. |
| | | | | When read, indicates the interrupt status. Write 1'b1 to clear. |
| 11 | TXERROR_3 | 0x0 | RW | Transmission error 3: error while waiting for the confirmation the Radio FSM is in Tx state. When read, indicates the interrupt status. Write 1'b1 to clear. |
| 12 | TXERROR_4 | 0x0 | RW | Transmission error 4: a CTE issue occurred. |
| | | | | When read, indicates the interrupt status. Write 1'b1 to clear. |
| 13 | ENCERROR | 0x0 | RW | Encryption error on receive. |
| | | | | When read, indicates the interrupt status. Write 1'b1 to clear. |
| 14 | ALLTABLEREADYERROR | 0x0 | RW | All RAM table not ready on time. |
| | | | | When read, indicates the interrupt status. Write 1'b1 to clear. |
| 15 | TXDATAREADYERROR | 0x0 | RW | Transmit data pack not ready error . |
| | | | | When read, indicates the interrupt status. Write 1'b1 to clear. |
| 16 | NOACTIVELEERROR | 0x0 | RW | GlobStatMach.active bit error. |
| | | | | When read, indicates the interrupt status. Write 1'b1 to clear. |
| 17 | RESERVED17 | 0x0 | RW | Reserved |
| 18 | RCVLENGTHERROR | 0x0 | RW | Receive length error. |
| | | | | When read, indicates the interrupt status. Write 1'b1 to clear. |
| 19 | SEMATIMEOUTERROR | 0x0 | RW | Semaphore timeout error. |
| | | | | When read, indicates the interrupt. Write 1'b1 to clear. |

| Bit | Field name | Reset | RW | Description |
|-----|-----------------|-------|----|---|
| 20 | RESERVED20 | 0x0 | RW | Reserved |
| 21 | TXRXSKIP | 0x0 | RW | Transmission/Reception skip. |
| | | | | When read, indicates the interrupt status. |
| | | | | Write 1'b1 to clear. |
| 22 | ACTIVE2ERROR | 0x0 | RW | Active2 Radio state error. |
| | | | | When read, indicates the interrupt status. |
| | | | | Write 1'b1 to clear. |
| 23 | CONFIGERROR | 0x0 | RW | Data pointer configuration error. |
| | | | | When read, indicates the interrupt status. |
| | | | | Write 1'b1 to clear. |
| 24 | TXOK | 0x0 | RW | Previous transmitted packet received OK by the peer device. |
| | | | | When read, indicates the interrupt status. |
| | | | | Write 1'b1 to clear. |
| 25 | DONE | 0x0 | RW | Receive/Transmit done. |
| | | | | When read, indicates the interrupt status. |
| | | | | Write 1'b1 to clear. |
| 26 | RCVTIMEOUT | 0x0 | RW | Receive timeout (no preamble found). |
| | | | | When read, indicates the interrupt status. |
| | | | | Write 1'b1 to clear. |
| 27 | RCVNOMD | 0x0 | RW | Received low MD bit. |
| | | | | When read, indicates the interrupt status. |
| | | | | Write 1'b1 to clear. |
| 28 | RCVCMD | 0x0 | RW | Received command. |
| | | | | When read, indicates the interrupt status. |
| | | | | Write 1'b1 to clear. |
| 29 | TIMECAPTURETRIG | 0x0 | RW | A time has been captured in TIMERCAPTUREREG. |
| | | | | When read, indicates the interrupt status. |
| | | | | Write 1'b1 to clear. |
| 30 | RCVCRCERR | 0x0 | RW | Receive data fail . |
| | | | | When read, indicates the interrupt status. |
| | | | | Write 1'b1 to clear. |
| 31 | RCVOK | 0x0 | RW | Receive data OK. |
| | | | | When read, indicates the interrupt status. |
| | | | | Write 1'b1 to clear. |

Note: All bits with the corresponding enable mask at '0' are seen at '0' in this register whatever the status. The full unmasked status is visible in the STATUSREG register. Refer to STATUSREG for exhaustive flag description.

Table 243. INTERRUPT2REG register description

| Bit | Field name | Reset | RW | Description |
|-----|--------------|-------|----|---|
| 0 | AESMANENCINT | 0x0 | RW | AES manual encryption. |
| | | | | This interrupt is enabled through AESLEPRIVCMDREG register. |

| Bit | Field name | Reset | RW | Description |
|------|--------------|-------|----|--|
| 0 | AESMANENCINT | 0x0 | RW | When read, indicates the interrupt status. Write 1'b1 to clear. |
| 1 | AESLEPRIVINT | 0x0 | RW | AES LE privacy engine. This interrupt is enabled through MANAESCMDREG register. When read, indicates the interrupt status. Write 1'b1 to clear. |
| 31:2 | RESERVED31_2 | 0x0 | R | Reserved |

Table 244. TIMEOUTDESTREG register description

| Bit | Field name | Reset | RW | Description |
|------|--------------|-------|----|---|
| 1:0 | DESTINATION | 0x0 | RW | Timeout timer Destination - 00 or 01: all disabled - 10: Timer1 enable - 11: Timer2 enable (but Timer2 really starts counting at the end of a Rx/Tx sequence) Note: Enabling one of the two timers automatically disables the second one. See Section 25.8.2.1: Possible trigger timers for the Sequencer for more details. |
| 31:2 | RESERVED31_2 | 0x0 | R | Reserved |

Table 245. TIMEOUTREG register description

| Bit | Field name | Reset | RW | Description |
|------|------------|-------|----|---|
| 31:0 | TIMEOUT | 0x0 | RW | Timer1 or Timer2 Timeout value (depending on destination register). Time units: <ul style="list-style-type: none"> in microseconds for Timer2 in periods of 512 kHz clock for Timer1. See Section 25.8.2.1: Possible trigger timers for the Sequencer for more details. |

Table 246. TIMERCAPTUREREG register description

| Bit | Field name | Reset | RW | Description |
|------|--------------|-------|----|--|
| 31:0 | TIMERCAPTURE | 0x0 | RW | Interpolated absolute time capture register (TxRxPack.TrigRcv/TrigDone, GlobStatMach.TimeCapture/TimeCaptureSel for detailed specifications). This register is cleared on the beginning of a new Bluetooth® Low Energy sequence (Sequencer trigger event) sequence. Time unit is in 16 x slow clock so typically 512 kHz period cycle. |

Table 247. CMDREG register description

| Bit | Field name | Reset | RW | Description |
|-----|--------------|-------|----|---|
| 0 | TXRXSKIP | 0x0 | RW | Transmission/reception skip command. This bit is auto-cleared by the hardware. |
| 1:2 | RESERVED | 0x0 | RW | Reserved |
| 3 | CLEARSEMAREQ | 0x0 | RW | Semaphore clear command. Setting this bit releases the token for the IP_BLE. Software option in parallel with the hardware management by the Bluetooth® Low Energy Sequencer through TxRxPack.KeepSemaReq bit. |

| Bit | Field name | Reset | RW | Description |
|------|--------------|-------|----|---|
| | | | | This bit is auto-cleared by the hardware. |
| 31:4 | RESERVED31_4 | 0x0 | R | Reserved |

Table 248. STATUSREG register description

| Bit | Field name | Reset | RW | Description |
|-----|-----------------------|-------|----|---|
| 0 | AESONFLYBUSY | 0x0 | R | AES on the fly encryption busy status. |
| 2:1 | RESERVED2_1 | 0x0 | R | Reserved |
| 3 | NOT_SUPPORTED_FEATURE | 0x0 | R | It indicates that the SW requests an unsupported feature. |
| 4 | ADDPONINTERERROR | 0x0 | R | Address Pointer Error status. This flag is set when the MSB[31:24] part of some address pointers defined in the RAM tables is not equal to the MSB[31:24] part of the RAM base address of the device. |
| 5 | RXOVERFLOWERROR | 0x0 | R | AHB arbiter is full and there is no more storage capability available in Rx data path. |
| 6 | PREVTRANSMIT (*) | 0x0 | R | Previous event was a Transmission (1) or Reception (0) status. |
| 7 | SEQDONE | 0x0 | R | Sequencer end of task status. |
| | | | | This bit is set each time the Sequencer ends the execution of a sequence due to a trigger event whatever the result (OK, with errors, ACTIVE bit not set, etc.). |
| 8 | TXERROR_0 | 0x0 | R | Transmission error 0 status transmit block missing data error. This flag is raised if the transmit block did not receive bytes to transmit from RAM on time during transmission). |
| | | | | Note: On this error, the transmit block stops the on-going transmission but the Sequencer manages it as a normal end of transmission. This TXERROR_0 flag is the only information available for the user regarding this issue. |
| 9 | TXERROR_1 | 0x0 | R | Transmission error 1 status. This flag is raised if a TxSkip event occurs during the Transmission/Reception step of the Sequencer (mainly due to a SW skip through CMDREG.TXRSKIP bit or possibly due to a PLL lock issue during EN_PA Radio FSM state). |
| 10 | TXERROR_2 | 0x0 | R | Transmission error 2 status. |
| | | | | This flag is raised if the requested channel number is greater than 39. This channel index comes: <ul style="list-style-type: none"> • directly from SW in RAM table when TxRxPack.IncChan = 0 • from the channel incremter block when TxRxPack.IncChan = 1 Note: The channel index used for the failing Tx can be read in StateMach.Remap_chan at the end of the sequence. |
| 11 | TXERROR_3 | 0x0 | R | Transmission error 3 status: error while waiting for the confirmation the Radio FSM is in Tx state (timeout defined in GlobalStatMach.TxReadyTimeout[7:0] bit field). |
| | | | | Possible causes are: <ul style="list-style-type: none"> • the Radio FSM encounters an issue and did not go in Tx state (for example, PLL lock failure) • the TxReadyTimeout[7:0] delay is too short |
| 12 | TXERROR_4 | 0x0 | R | Transmission error 4 status. |
| | | | | Possible causes are: <ul style="list-style-type: none"> • the CTETime field is not between 2 and 20 inclusive <ul style="list-style-type: none"> – the transmission applied the CTE anyway (informative flag) • or in case of CTE enabled with a coded packet • the transmission occurs without CTE |
| 13 | ENCERROR | 0x0 | R | Encryption error on receive status |

| Bit | Field name | Reset | RW | Description |
|-----|--------------------|-------|----|---|
| 14 | ALLTABLEREADYERROR | 0x0 | R | All RAM Table not ready status. |
| 15 | TXDATAREADYERROR | 0x0 | R | Transmit data pack not ready status. Indicates the data to transmit are not ready in RAM when Tx on antenna is about to start. This flag is raised if the Sequencer reads TxRxPack.TXdataReady= 0 during DATA INIT step (for transmission sequence only). |
| 16 | NOACTIVEERROR | 0x0 | R | GlobalStatMach.active bit error status. This flag is raised when the Sequencer reads active = 0 at the beginning of a trigger sequence. |
| 17 | RESERVED17 | 0x0 | R | Reserved |
| 18 | RCVLENGTHERROR | 0x0 | R | Receive length error status. |
| 19 | SEMATIMEOUTERROR | 0x0 | R | Semaphore timeout error status. This flag is raised when the IP_BLE token request is not granted on time by the RRM semaphore. |
| 20 | RESERVED20 | 0x0 | R | Reserved |
| 21 | TXRXSKIP | 0x0 | R | Transmission/Reception skip status. |
| 22 | ACTIVE2ERROR | 0x0 | R | Active2 Radio state error status. |
| 23 | CONFIGERROR (*) | 0x0 | R | Data pointer configuration error status. |
| 24 | TXOK | 0x0 | R | Previous transmitted packet received OK by the peer device status. This bit is updated at the end of a reception. 0: the previous transmitted packet was not received OK by the peer device. 1: the previous transmitted packet was received OK by the peer device. This bit is set only if the following conditions are verified: <ul style="list-style-type: none"> this is a data packet the SN/NESN mechanism is enabled (TxRxPack.SN_EN = 1) a preamble and a good access address have been received inside the receive window the received NESN is different from the local StatMach.SN bit. |
| 25 | DONE | 0x0 | R | Receive/Transmit done status. This flag is set if the Sequencer reached the Transmission/Reception step. |
| 26 | RCVTIMEOUT | 0x0 | R | Receive timeout status (no preamble found). |
| 27 | RCVNOMD | 0x0 | R | Received MD bit status (valid only on Data Physical Channel PDU reception). This flag is raised when MD = 0 in the received data packet header. |
| 28 | RCVCMD | 0x0 | R | Received command status (valid only on Data Physical Channel PDU reception). This flag is raised when LLID = 2'b11 in the received data packet header. |
| 29 | TIMECAPTURETRIG | 0x0 | R | Indicates a time has been captured in TIMERCAPTUREREG when set. |
| 30 | RCVCRCERR | 0x0 | R | Receive data fail. (CRC error or invalid CI field) status. Note: This error is raised only if at least preamble and access address have been detected. |
| 31 | RCVOK | 0x0 | R | Receive data OK status. |

- Note:
- This StatusReg is updated on each Sequencer end of sequence.
 - This register is cleared each time the Sequencer starts a new sequence (timer trig event) except for the bit tagged with (*):
 - CONFIGERROR: updated when the Sequencer reads the StatMach
 - PREVTRANSMIT: updated when the Sequencer reaches the TX/RX step again
 - After a reception, an SN_NESN error is identified if the STATUSREG indicates the Rx is done (DONE=1), not OK (RCVOK=0) but no specific error flag is set.
 - When a proper transmission occurred, the DONE flag (in STATUSREG and potentially INTERRUPT1REG) and the STATUSREG.PREVTRANSMIT bit are set.

Table 249. INTERRUPT1ENBLEREG register description

| Bit | Field name | Reset | RW | Description |
|-----|--------------------|-------|----|--|
| 3:0 | RESERVED3_0 | 0x0 | R | Reserved |
| 4 | ADDPONTEERROR | 0x0 | R | Address Pointer Error enable interruption. |
| 5 | RXOVERFLOWERROR | 0x0 | R | Rx Overflow Error enable interruption. |
| 6 | RESERVED6 | 0x0 | R | Reserved |
| 7 | SEQDONE | 0x0 | R | Sequencer end of task enable interruption. |
| 8 | TXERROR_0 | 0x0 | R | Transmission error 0 enable interruption. |
| 9 | TXERROR_1 | 0x0 | R | Transmission error 1 enable interruption. |
| 10 | TXERROR_2 | 0x0 | R | Transmission error 2 enable interruption. |
| 11 | TXERROR_3 | 0x0 | R | Transmission error 3 enable interruption. |
| 12 | TXERROR_4 | 0x0 | R | Transmission error 4 enable interruption. |
| 13 | ENCERROR | 0x0 | R | Encryption error on receive enable interruption. |
| 14 | ALLTABLEREADYERROR | 0x0 | R | All RAM Table not ready enable interruption. |
| 15 | TXDATAREADYERROR | 0x0 | R | Transmit data pack not ready enable interruption. |
| 16 | NOACTIVELEERROR | 0x0 | R | Active bit error enable interruption. |
| 17 | RESERVED17 | 0x0 | R | Reserved |
| 18 | RCVLENGTHERROR | 0x0 | R | Receive length error enable interruption . |
| 19 | SEMATIMEOUTERROR | 0x0 | R | Semaphore timeout error enable interruption. |
| 20 | RESERVED20 | 0x0 | R | Reserved |
| 21 | TXRXSKIP | 0x0 | R | Transmission/Reception skip enable interruption. |
| 22 | ACTIVE2ERROR | 0x0 | R | Active2 Radio state error enable interruption. |
| 23 | CONFIGERROR | 0x0 | R | Data pointer configuration error enable interruption. |
| 24 | TXOK | 0x0 | R | Previous transmitted packet received OK enable interruption. |
| 25 | DONE | 0x0 | R | Receive/Transmit done interruption. |
| 26 | RCVTIMEOUT | 0x0 | R | Receive timeout enable interruption (no preamble found). |
| 27 | RCVNOMD | 0x0 | R | Received MD bit embedded in the PDU data packet header was zero enable interruption. |
| 28 | RCVCMD | 0x0 | R | Received command enable interruption. |
| 29 | TIMECAPTURETRIG | 0x0 | R | Time capture enable interruption. |
| 30 | RCVRCERR | 0x0 | R | Receive data fail enable interruption. |
| 31 | RCVOK | 0x0 | R | Receive data OK enable interruption. |

Note: This read-only register is a copy/summary of all the enable mask bit located in the different RAM tables treated by the Sequencer. When '0', corresponding interrupt was masked during previous sequence. When '1', corresponding interrupt was enabled during the previous sequence.

Table 250. INTERRUPT1LATENCYREG register description

| Bit | Field name | Reset | RW | Description |
|------|-------------------|-------|----|---|
| 7:0 | INTERRUPT1LATENCY | 0x0 | R | Relative time counter started on irq_BLE_int1 (BLE_TXRX) occurrence. <ul style="list-style-type: none"> Time unit: 1 μs Clamped at 255 Reset when all INTERRUPT1REG sources are cleared or when a new irq_BLE_int1 (BLE_TXRX) is raised. |
| 31:8 | RESERVED31_8 | 0x0 | R | Reserved |

Table 251. MANAESKEY0REG register description

| Bit | Field name | Reset | RW | Description |
|------|----------------|-------|----|---------------------|
| 31:0 | MANAESKEY_31_0 | 0x0 | RW | Manual mode AES key |

Table 252. MANAESKEY1REG register description

| Bit | Field name | Reset | RW | Description |
|------|-----------------|-------|----|---------------------|
| 31:0 | MANAESKEY_63_32 | 0x0 | RW | Manual mode AES key |

Table 253. MANAESKEY2REG register description

| Bit | Field name | Reset | RW | Description |
|------|-----------------|-------|----|---------------------|
| 31:0 | MANAESKEY_95_64 | 0x0 | RW | Manual mode AES key |

Table 254. MANAESKEY3REG register description

| Bit | Field name | Reset | RW | Description |
|------|------------------|-------|----|---------------------|
| 31:0 | MANAESKEY_127_96 | 0x0 | RW | Manual mode AES key |

Table 255. MANAESCLEARTEXT0REG register description

| Bit | Field name | Reset | RW | Description |
|------|-----------------|-------|----|-----------------------|
| 31:0 | AES_CIPHER_31_0 | 0x0 | RW | Manual AES clear text |

Table 256. MANAESCLEARTEXT1REG register description

| Bit | Field name | Reset | RW | Description |
|------|-----------------|-------|----|-----------------------|
| 31:0 | AES_CLEAR_63_32 | 0x0 | RW | Manual AES clear text |

Table 257. MANAESCLEARTEXT2REG register description

| Bit | Field name | Reset | RW | Description |
|------|-----------------|-------|----|-----------------------|
| 31:0 | AES_CLEAR_95_64 | 0x0 | RW | Manual AES clear text |

Table 258. MANAESCLEARTEXT3REG register description

| Bit | Field name | Reset | RW | Description |
|------|------------------|-------|----|-----------------------|
| 31:0 | AES_CLEAR_127_96 | 0x0 | RW | Manual AES clear text |

Table 259. MANAESCHIPHERTEXT0REG register description

| Bit | Field name | Reset | RW | Description |
|------|-----------------|-------|----|------------------------|
| 31:0 | AES_CIPHER_31_0 | 0x0 | RW | Manual AES cipher text |

Table 260. MANAESCHIPHERTEXT1REG register description

| Bit | Field name | Reset | RW | Description |
|------|------------------|-------|----|------------------------|
| 31:0 | AES_CIPHER_63_32 | 0x0 | RW | Manual AES cipher text |

Table 261. MANAESCHIPHERTEXT2REG register description

| Bit | Field name | Reset | RW | Description |
|------|------------------|-------|----|------------------------|
| 31:0 | AES_CIPHER_95_64 | 0x0 | RW | Manual AES cipher text |

Table 262. MANAESCHIPHERTEXT3REG register description

| Bit | Field name | Reset | RW | Description |
|------|-------------------|-------|----|------------------------|
| 31:0 | AES_CIPHER_127_96 | 0x0 | RW | Manual AES cipher text |

Table 263. MANAESCMDREG register description

| Bit | Field name | Reset | RW | Description |
|------|--------------|-------|----|---|
| 0 | START | 0x0 | R | AES manual encryption Start command. This bit is auto-cleared by the hardware. |
| 1 | INTENA | 0x0 | RW | AES manual encryption interrupt enable on Interrupt2Reg. |
| 31:2 | RESERVED31_2 | 0x0 | R | Reserved |

Table 264. MANAESSTATREG register description

| Bit | Field name | Reset | RW | Description |
|------|--------------|-------|----|-----------------------------------|
| 0 | BUSY | 0x0 | R | AES manual encryption busy status |
| 31:1 | RESERVED31_1 | 0x0 | R | Reserved |

Table 265. AESLEPRIVPOINTERREG register description

| Bit | Field name | Reset | RW | Description |
|-------|---------------|-------|----|------------------------|
| 23:0 | POINTER | 0x0 | RW | AES LE privacy pointer |
| 31:24 | RESERVED31_24 | 0x0 | R | Reserved |

Table 266. AESLEPRIVHASHREG register description

| Bit | Field name | Reset | RW | Description |
|-------|---------------|-------|----|-------------------------------|
| 23:0 | HASH | 0x0 | RW | AES LE privacy reference hash |
| 31:24 | RESERVED31_24 | 0x0 | R | Reserved |

Table 267. AESLEPRIVPRANDREG register description

| Bit field | Field name | Reset | RW | Description |
|-----------|---------------|-------|----|----------------------|
| 23:0 | PRAND | 0x0 | RW | AES Le privacy Prand |
| 31:24 | RESERVED31_24 | 0x0 | R | Reserved |

Table 268. AESLEPRIVCMDREG register description

| Bit | Field name | Reset | RW | Description |
|-------|---------------|-------|----|---|
| 0 | START | 0x0 | RW | AES LE privacy start command. This bit is auto-cleared by the hardware. |
| 1 | INTENA | 0x0 | RW | AES LE privacy interrupt enable on Interrupt2Reg. |
| 9:2 | NBKEYS | 0x0 | RW | AES LE privacy number of keys pointed by AesLePrivPointerReg (points to the resolution key list). |
| 31:10 | RESERVED31_10 | 0x0 | R | Reserved |

Table 269. AESLEPRIVSTATREG register description

| Bit | Field name | Reset | RW | Description |
|-------|---------------|-------|----|---|
| 0 | BUSY | 0x0 | R | AES LE privacy busy status. |
| 1 | KEYFND | 0x0 | R | AES LE privacy key finding status. |
| 9:02 | KEYFNDINDEX | 0x0 | R | AES LE privacy index of the key found in the resolution key list. |
| 31:10 | RESERVED31_10 | 0x0 | R | Reserved |

Table 270. STATUS2REG register description

| Bit | Field name | Reset | RW | Description |
|------|---|-------|----|--|
| 0 | IQSAMPLES_READY | 0x0 | R | Indicates if IQ samples have been received on the last reception. 0: no IQ samples reception occurred so no IQ samples stored in RAM 1: IQ samples received and stored in RAM. Exact number of stored samples is available in IQSAMPLES_NUMBER[6:0] bit field. |
| 7:1 | IQSAMPLES_NUMBER | 0x0 | R | Indicates the number of IQ samples stored in the RAM buffer addressed by StatMach.IQSamplesPtr. |
| 28:8 | RESERVED28_8 | 0x0 | R | For future use. |
| 29 | IQSAMPLES_MISSING_ERROR | 0x0 | R | IQ sample internal buffer overflow error flag. This bit is set when the internal buffer storing the IQ samples is full and new IQ samples have to be recording. The reason would be a too long latency on AHB write transfer from this internal buffer to RAM. |
| 30 | ANTENNA_SWITCHING_PATTERN_ACCESS_ERROR | 0x0 | R | Timing error flag related to Antenna Pattern not read on time. This bit is set when the hardware antenna switching sub-block requests a new element of the Antenna Pattern and does not get it on time versus antenna switching event. |
| 31 | ANTENNA_SWITCHING_PATTERN_ADDRESS_ERROR | 0x0 | R | AHB access error flag. |

| Bit | Field name | Reset | RW | Description |
|-----|------------|-------|----|---|
| | | | | This bit is set when an internal error is raised while the IP_BLE tries to read the Antenna pattern in RAM. This indicates the value contained in the StatMach.AntennaPatternPtr is not pointing on a supported address in the SoC mapping. |

Note: This register is updated on each start of a new Bluetooth® Low Energy sequence (timer trigger event).

25.9 Wakeup block

The wakeup block is partially located in the always-on power domain to stay supplied even in the low-power modes of the device. All features not mandatory during low-power modes are located in the 1V2 switchable power domain to limit power consumption.

The wakeup block combines in fact two features:

- wakeup / sleep requests management
- absolute and interpolated time computation.

25.9.1 Time features management

The wakeup block computes two kinds of time: the absolute time and the interpolated time.

25.9.1.1 Absolute time

This timer is located in the always-on power domain and is based on a rollover free running counter. The absolute time is computed by a 28-bit counter clocked on the slow clock (around 32 kHz).

This absolute time is used to generate a wakeup event to the power controller block of the device when the programmed target reaches the current absolute time.

Two different targets can be programmed in parallel:

- one associated to the IP_BLE link layer
- one to generate a device wakeup event for CPU/application purpose.

The absolute time is also used by the time interpolator block to build the 28-bit MSB non-interpolated part of the 32-bit interpolated time.

25.9.1.2 Interpolated time

The interpolated time is located in the 1.2 V switchable power domain and is clocked at 16 x slow clock typically 512 kHz. This interpolated time is a 32-bit timer built with:

- 28-bit MSB part corresponding to the non-interpolated time clocked at 32 kHz (absolute time)
- 4-bit LSB corresponding to the fractional part (interpolation at 512 kHz).

The 32-bit interpolated time is provided to the IP_BLE link layer to get current time information and to manage the timer1.

The 512 kHz interpolation part (4-LSB) is generated using both the 32 kHz and the system clock using a 16 MHz base whatever the system clock frequency is.

25.9.1.3 Slow clock frequency statistics

A module computes the minimum, the maximum and the average value of the slow clock period length by counting the number of 16 MHz periods in a slow clock period. The value is tuned on each slow clock cycle.

The calculation is done continuously from the moment the MR_BLE IP reset is released. The result is available in MINIMUM_PERIOD_LENGTH, AVERAGE_PERIOD_LENGTH and MAXIMUM_PERIOD_LENGTH registers (see Section 25.9.5: wakeup block registers).

The average value is calculated using the previous sampled results as recursive weight: the new calculation is added to previous average and divided by the number of measurements up to 16. Then the ratio factor stays at 16.

The software can reset the minimum/maximum period value and/or the average value registers thanks to dedicated command bit in STATISTICS_RESTART register.

25.9.2 Sleep feature management

The sleep management informs the device power controller block if the MR_BLE allows the device to go in low-power mode (“sleep request”).

The Wakeup block allows the device to go in low-power mode (through sleep request information) if:

- the IP_BLE sleep enable feature is active (bit SLEEP_EN = 1 in the BLE_SLEEP_REQUEST_MODE APB register),
- the IP_BLE link layer is not busy which means:
 - the Sequencer is in IDLE state (no sequence on-going),
 - Timer1 and Timer2 are not enabled,
 - no pending interrupt(s) in INTERRUPT1REG APB register (related to irq_BLE_int1 aka BLE_TXRX),

When the device is in low-power, the slow clock timer is still active and may generate a wakeup request to the power controller.

25.9.3 Wakeup management

The wakeup feature is in charge of waking up the device from a low-power mode and in a second time (once power and clock tree are restored), to wake up the IP_BLE link layer and/or the CPU.

Note: the CPU wakeup/interrupt feature offers an additional low-power timer to the device.

The Wakeup block manages:

- the SoC wakeup event generation to restart the power and clock system (based on 28-bit absolute time only),
- the IP_BLE wakeup trigger event, supposed to be done once the power and accurate clock are restored (based on 32-bit interpolated time),
- a CPU wakeup interrupt, supposed to be done once the power and accurate clock are restored (based on 32-bit interpolated time).

25.9.3.1 SoC wakeup event generation

The Wakeup block offers the possibility to wake up the SoC before waking up the IP_BLE link layer or the CPU to let time to power and clocks to settle.

This way, the user only has to program dynamically along its application the IP_BLE link layer/CPU wakeup time target, letting the hardware manage the anticipated SoC wakeup.

The mechanism consists in programming a dedicated register called WAKEUP_OFFSET at the power-on with a value corresponding to at least the duration of the power and clock restoration from a low-power mode exit.

The hardware automatically uses this information to anticipate the SoC wakeup event generation from this duration versus the absolute time wakeup target.

Information to program the SoC wakeup event time:

- a wakeup offset information must be filled in a WAKEUP_OFFSET[7:0] bit field,
- this value is in slow clock period time units (typically 32 kHz),
- So the maximum SoC power and clocks settlement time supported by the MR_BLE IP is:
 - typically, 7.96 ms when slow clock is 32 kHz
 - 5.2 ms if slow clock is 49 kHz
 - 10.6 ms if slow clock is 24 kHz.

25.9.3.2 IP_BLE wakeup management

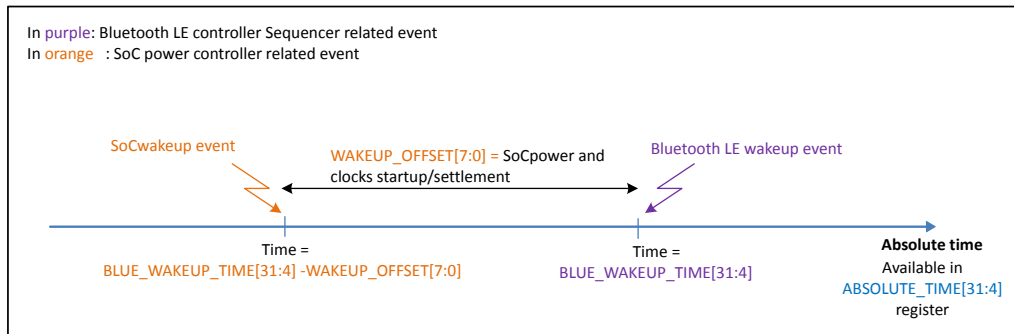
The user must program two pieces of information to activate the IP_BLE link layer wakeup feature:

- the BLUE_SLEEP_REQUEST_MODE[30] = BLE_WAKEUP_EN bit must be set to enable the wakeup feature,
- the IP_BLE link layer wakeup target time in the BLUE_WAKEUP_TIME[31:0] APB register
 - this register represents a 32-bit interpolated time
 - the 28-bit absolute time (corresponding to BLUE_WAKEUP_TIME[31:4]) is used first to generate the anticipated event to the power controller and the wakeup trigger event to the IP_BLE link layer Sequencer
 - the 32-bit interpolated time information (corresponding to BLUE_WAKEUP_TIME[31:0]), is used by the IP_BLE link layer Sequencer block to manage the 1st INIT step duration.

Note: the user must ensure when setting the BLE_WAKEUP_EN bit that the programmed IP_BLE wakeup time is at least WAKEUP_OFFSET[7:0] duration later.

Figure 210. IP_BLE wakeup timing contributors provides an overview of the registers involved in the wakeup management and summarizes the steps described just above.

Figure 210. IP_BLE wakeup timing contributors



25.9.4 CPU wakeup management

A similar behavior is possible to generate a CPU wakeup event.

The user must program three information to activate the CPU wakeup feature:

- the CM0_SLEEP_REQUEST_MODE[30] = CM0_WAKEUP_EN bit must be set to enable the wakeup feature,
- the CPU wakeup target time in the CM0_WAKEUP_TIME[31:4] APB register
- the WAKEUP_CM0_IRQ_ENABLE[0] = WAKEUP_IT bit must be set to have an interrupt generated on CPU on event

Note: Only the 28-bit absolute time is used for the CPU wakeup feature, so granularity of wakeup target is slow clock frequency.

In this case, the wakeup process also occurs in two steps:

- At ABSOLUTE_TIME[31:4] = CM0_WAKEUP_TIME [31:4] - WAKEUP_OFFSET[7:0]
 - the wakeup block raises a SoC wakeup request towards the Power Controller of the SoC to request voltage/clock restoring.
- At ABSOLUTE_TIME[31:4] = CM0_WAKEUP_TIME [31:4]
 - if WAKEUP_CM0_IRQ_ENABLE.WAKEUP_IT = 1, the Wakeup block sends an interrupt towards the CPU (irq_wakeup_cpu line)

This feature allows using the existing slow clock timer to generate a CPU wakeup source. This feature when activated has no impact on the Bluetooth LE transfers (no trigger event generated to the Bluetooth LE Sequencer).

25.9.5 wakeup block registers

The WAKEUP_SLEEP_BLOCKBaseAddress keyword used for all the register base address information corresponds to the wakeup registers base address decided by the SoC when integrating the IP.

Note: WAKEUP_SLEEP_BLOCKBaseAddress is 0x6000_1800 in STM32WB05xZ product.

Table 271. wakeup block register list

| Address offset | Name | RW | Reset | Description |
|----------------|-----------------------|----|------------|--------------------------------|
| 0x08 | WAKEUP_OFFSET | RW | 0x00000000 | wakeup offset register |
| 0x10 | ABSOLUTE_TIME | R | 0x00000000 | Absolute time register |
| 0x14 | MINIMUM_PERIOD_LENGTH | R | 0x00000000 | Minimum period length register |
| 0x18 | AVERAGE_PERIOD_LENGTH | R | 0x00000000 | Average period length register |

| Address offset | Name | RW | Reset | Description |
|----------------|-------------------------|----|------------|---|
| 0x1C | MAXIMUM_PERIOD_LENGTH | R | 0x00000000 | Maximum period length register |
| 0x20 | STATISTICS_RESTART | RW | 0x00000000 | Statistics restart register |
| 0x24 | BLUE_WAKEUP_TIME | RW | 0x00000000 | IP_BLE wakeup time register |
| 0x28 | BLUE_SLEEP_REQUEST_MODE | RW | 0x00000007 | IP_BLE sleep request mode register |
| 0x2C | CM0_WAKEUP_TIME | RW | 0x00000000 | CPU wakeup time register |
| 0x30 | CM0_SLEEP_REQUEST_MODE | RW | 0x80000007 | CPU sleep request mode register |
| 0x40 | WAKEUP_BLE_IRQ_ENABLE | RW | 0x00000000 | Wakeup IP_BLE interrupt enable register |
| 0x44 | WAKEUP_BLE_IRQ_STATUS | RW | 0x00000000 | Wakeup IP_BLE interrupt status register |
| 0x48 | WAKEUP_CM0_IRQ_ENABLE | RW | 0x00000000 | Wakeup CPU interrupt enable register |
| 0x4C | WAKEUP_CM0_IRQ_STATUS | RW | 0x00000000 | Wakeup CPU interrupt status register |

25.9.5.1 Wakeup block registers

Table 272. WAKEUP_OFFSET register description

| Bit | Field name | Reset | RW | Description |
|------|---------------|-------|----|---|
| 7:0 | WAKEUP_OFFSET | 0x0 | RW | Delay of anticipation of the Soc device to settle power and clock. Unit is in slow clock period time (typically 32 kHz). |
| 31:8 | RESERVED_31_8 | 0x0 | RW | Reserved |

Table 273. ABSOLUTE_TIME register description

| Bit | Field name | Reset | RW | Description |
|------|---------------|-------|----|--|
| 31:0 | ABSOLUTE_TIME | 0x0 | R | Absolute time Unit of this full bit field is (slow_clock *16) frequency period cycle (typically 512 kHz). Note: ABSOLUTE_TIME[31:4] is clocked on the slow clock (typically 32 kHz), ABSOLUTE_TIME[3:0] is the interpolation at slow clock * 16 frequency (typically 512 kHz). |

Table 274. MINIMUM_PERIOD_LENGTH register description

| Bit | Field name | Reset | RW | Description |
|-------|---------------|-------|----|---|
| 3:0 | RESERVED3_0 | 0x0 | R | Reserved |
| 13:4 | LENGTH | 0x0 | R | Minimum period length computed by time interpolator |
| 31:14 | RESERVED31_14 | 0x0 | R | Reserved |

Table 275. AVERAGE_PERIOD_LENGTH register description

| Bit | Field name | Reset | RW | Description |
|-------|---------------|-------|----|--|
| 3:0 | LENGTH_FRAC | 0x0 | R | Additional information/precision on slow clock frequency. Reading AVERAGE_PERIOD_LENGTH[13:0] indicates the number of 16 MHz clock cycles contained in 16 slow clock periods. This bit field is updated every 16 slow clock periods. |
| 13:4 | LENGTH_INT | 0x0 | R | Average period length computed by Time Interpolator. This value indicates the number of 16 MHz clock cycles contained in 1 slow clock period. This bit field is updated every 16 slow clock periods. |
| 23:14 | RESERVED23_14 | 0x0 | R | Reserved |

| Bit | Field name | Reset | RW | Description |
|-------|---------------|-------|----|--|
| 31:24 | AVERAGE_COUNT | 0x0 | R | This value indicates the number of slow clock periods taken into account to calculate the average. This bit field is updated every slow clock period. This bit field is clamped at 0xFF so reading 0xFF means at least 128 slow clock periods are already being used to calculate the average. |

Table 276. MAXIMUM_PERIOD_LENGTH register description

| Bit | Field name | Reset | RW | Description |
|-------|---------------|-------|----|--|
| 3:0 | RESERVED3_0 | 0x0 | R | Reserved |
| 13:4 | LENGTH | 0x0 | R | Maximum period length computed by Time Interpolator. |
| 31:14 | RESERVED31_14 | 0x0 | R | Reserved |

Table 277. STATISTIC_RESTART register description

| Bit | Field name | Reset | RW | Description |
|------|--------------|-------|----|--|
| 0 | CLR_MIN_MAX | 0x0 | RW | Write '1' to clear the minimum and maximum registers. Note: This bit is auto cleared by the hardware. |
| 1 | CLR_AVR | 0x0 | RW | Write '1' to clear the AVERAGE_PERIOD_LENGTH register value. This action clears both the average length value and the average counter. Note: This bit is auto cleared by the hardware. |
| 31:2 | RESERVED31_2 | 0x0 | R | Reserved |

Table 278. BLUE_WAKEUP_TIME register description

| Bit | Field name | Reset | RW | Description |
|------|-------------|-------|----|---|
| 31:0 | WAKEUP_TIME | 0x0 | RW | Programmed wakeup time for the IP_BLE. Unit is in (16 x slow clock) period so typically 512 kHz when slow clock is 32 kHz. |

Table 279. BLUE_SLEEP_REQUEST_MODE register description

| Bit | Field name | Reset | RW | Description |
|------|----------------|-------|----|---|
| 2:0 | RESERVED2_0 | 0x7 | RW | Reserved |
| 28:3 | RESERVED28_3 | 0x0 | R | Reserved |
| 29 | SLEEP_EN | 0x0 | RW | - 0: disable IP_BLE sleeping mode = no low-power mode request when the Bluetooth LE link layer indicates it is no longer busy. - 1: enable IP_BLE sleeping mode = low-power mode request when the Bluetooth LE link layer indicates it is no longer busy. Note: Bluetooth LE Sequencer is no longer busy if no sequence is on-going and if no Timer1 nor Timer2 counter is enabled (to trig the next sequence). |
| 30 | BLE_WAKEUP_EN | 0x0 | RW | - 0: disable the IP_BLE wakeup - 1: enable the IP_BLE wakeup request through the embedded wakeup timer. This bit is auto-cleared by hardware when a wakeup event occurs (IP_BLE wakeup time matches with current time). |
| 31 | FORCE_SLEEPING | 0x0 | RW | - 0: the IP_BLE sleeping is managed dynamically according to IP_BLE activity and status - 1: the IP_BLE is always considered as sleeping, which means it always allows the SoC to go to low power mode |

Table 280. CM0_WAKEUP_TIME register description

| Bit | Field name | Reset | RW | Description |
|------|-------------|-------|----|--|
| 3:0 | RESERVED3_0 | 0x0 | R | Always read as zero as no 512 kHz granularity on this time wakeup. |
| 31:4 | WAKEUP_TIME | 0x0 | RW | Programmed wakeup time for the CPU. Unit is in slow clock period. |

Table 281. CM0_SLEEP_REQUEST_MODE register description

| Bit | Field name | Reset | RW | Description |
|------|----------------|-------|----|---|
| 2:0 | RESERVED2_0 | 0x7 | RW | Reserved |
| 29:3 | RESERVED29_3 | 0x0 | R | Reserved |
| 30 | CPU_WAKEUP_EN | 0x0 | RW | - 0: disable/mask the CPU wakeup request. - 1: enable the CPU wakeup request. Note: this bit has to be used in combination with the CM0_WAKEUP_TIME register to generate a wakeup request to the SoC. This bit is auto-cleared by hardware when a wakeup event occurs (CM0_WAKEUPTIME value matches with current time). |
| 31 | FORCE_SLEEPING | 0x1 | RW | - 0: the CPU sleeping information is also monitored by the MR_BLE wakeup block to decide whether it allows or not the low power mode at SoC level - 1: the CPU is always considered as sleeping by the wakeup block. Note: this bit must always be kept high to let the CPU WFI instruction managing alone the low power allowance for CPU side. |

Table 282. WAKEUP_BLE_IRQ_ENABLE register description

| Bit | Field name | Reset | RW | Description |
|------|--------------|-------|----|---|
| 0 | WAKEUP_IT | 0x0 | RW | - 0: disable the IP_BLE wakeup interrupt towards CPU. - 1: enable IP_BLE wakeup interrupt towards the CPU. |
| 31:1 | RESERVED31_1 | 0x0 | R | Reserved |

Table 283. WAKEUP_BLE_IRQ_STATUS register description

| Bit | Field name | Reset | RW | Description |
|------|--------------|-------|----|---|
| 0 | WAKEUP_IT | 0x0 | RW | Write '1' to clear the interrupt. When read, returns the interrupt status. |
| 31:1 | RESERVED31_1 | 0x0 | R | Reserved |

Table 284. WAKEUP_CM0_IRQ_ENABLE register description

| Bit | Field name | Reset | RW | Description |
|------|--------------|-------|----|---|
| 0 | WAKEUP_IT | 0x0 | RW | - 0: disable the CPU wakeup interrupt towards CPU. - 1: enable CPU wakeup interrupt towards the CPU. |
| 31:1 | RESERVED31_0 | 0x0 | R | Reserved |

Table 285. WAKEUP_CM0_IRQ_STATUS register description

| Bit | Field name | Reset | RW | Description |
|------|--------------|-------|----|---|
| 0 | WAKEUP_IT | 0x0 | RW | Write '1' to clear the interrupt. When read, returns the interrupt status. |
| 31:1 | RESERVED31_0 | 0x0 | R | Reserved |

26 Debug support (DBG)

26.1 SWD debug features

The STM32WB05xZ device JTAG ID[31:0] is the following:

- 0000 0010000000101000 00000100000 1
- (0x0202 8041)

The Cortex-M0+ subsystem of the STM32WB05xZ embeds 4 breakpoints and 2 watchpoints.

The STM32WB05xZ device embeds:

- the ARM serial wire debug port which enables serial wire debug (2-wire) to be connected to the CPU (default after power-on reset).

Note: When the device enters Deepstop mode, the SWD debug port is not powered. As a consequence, debug access is disabled and the chip cannot be accessed through SWD channel. One possible recovery option is to activate the internal embedded UART bootloader through the PA10 pin (just force PA10 high during hardware reset).

27 Device electronic signature (DESIG)

The device electronic signature is stored in the System memory area of the flash memory module, and can be read using the debug interface or by the CPU. It contains factory-programmed identification and calibration data that allow the user firmware or other external devices to automatically match the characteristics of the microcontroller.

27.1 DESIG registers

27.1.1 DESIG ADC trimming max diff (DESIG_ADCMAXDIFF)

Address offset: 0x000

Reset value: 0xXXXX XXXX (X is factory-programmed)

| | | | | | | | | | | | | | | | |
|---------------|------|------|------|------------|------|------|------|------|------|------|------|---------------|----|----|----|
| 31 | 30 | 29 | 28 | 27 | 26 | 25 | 24 | 23 | 22 | 21 | 20 | 19 | 18 | 17 | 16 |
| Res. | Res. | Res. | Res. | Res. | Res. | Res. | Res. | Res. | Res. | Res. | Res. | OFFSET[19:16] | | | |
| | | | | | | | | | | | | r | r | r | r |
| 15 | 14 | 13 | 12 | 11 | 10 | 9 | 8 | 7 | 6 | 5 | 4 | 3 | 2 | 1 | 0 |
| OFFSET[19:16] | | | | GAIN[11:0] | | | | | | | | | | | |
| r | r | r | r | r | r | r | r | r | r | r | r | r | r | r | r |

| | |
|------------|---|
| Bits 31:20 | Reserved, must be kept at reset value. |
| Bits 19:12 | OFFSET[19:12] : ADC trimming offset maximum differential (ADC_VINP - ADC_VINM at 1.2 V). |
| Bits 11:0 | GAIN[11:0] : ADC trimming gain maximum differential (ADC_VINP - ADC_VINM at 1.2 V). |

27.1.2 DESIG ADC trimming max negative (DESIG_ADCMAXNEG)

Address offset: 0x004

Reset value: 0xXXXX XXXX (X is factory-programmed)

| | | | | | | | | | | | | | | | |
|---------------|------|------|------|------------|------|------|------|------|------|------|------|---------------|----|----|----|
| 31 | 30 | 29 | 28 | 27 | 26 | 25 | 24 | 23 | 22 | 21 | 20 | 19 | 18 | 17 | 16 |
| Res. | Res. | Res. | Res. | Res. | Res. | Res. | Res. | Res. | Res. | Res. | Res. | OFFSET[19:16] | | | |
| | | | | | | | | | | | | r | r | r | r |
| 15 | 14 | 13 | 12 | 11 | 10 | 9 | 8 | 7 | 6 | 5 | 4 | 3 | 2 | 1 | 0 |
| OFFSET[19:16] | | | | GAIN[11:0] | | | | | | | | | | | |
| r | r | r | r | r | r | r | r | r | r | r | r | r | r | r | r |

| | |
|------------|--|
| Bits 31:20 | Reserved, must be kept at reset value. |
| Bits 19:12 | OFFSET[19:12] : ADC trimming offset maximum negative (ADC_VINM at 1.2 V). |
| Bits 11:0 | GAIN[11:0] : ADC trimming gain maximum negative (ADC_VINM at 1.2 V). |

27.1.3 DESIG ADC trimming max positive (DESIG_ADCMAXPOS)

Address offset: 0x008

Reset value: 0xXXXXX XXXX (X is factory-programmed)

| | | | | | | | | | | | | | | | |
|---------------|------|------|------|------------|------|------|------|------|------|------|------|---------------|----|----|----|
| 31 | 30 | 29 | 28 | 27 | 26 | 25 | 24 | 23 | 22 | 21 | 20 | 19 | 18 | 17 | 16 |
| Res. | Res. | Res. | Res. | Res. | Res. | Res. | Res. | Res. | Res. | Res. | Res. | OFFSET[19:16] | | | |
| | | | | | | | | | | | | r | r | r | r |
| 15 | 14 | 13 | 12 | 11 | 10 | 9 | 8 | 7 | 6 | 5 | 4 | 3 | 2 | 1 | 0 |
| OFFSET[19:16] | | | | GAIN[11:0] | | | | | | | | | | | |
| r | r | r | r | r | r | r | r | r | r | r | r | r | r | r | r |

| | |
|------------|--|
| Bits 31:20 | Reserved, must be kept at reset value. |
| Bits 19:12 | OFFSET[19:12] : ADC trimming offset maximum positive (ADC_VINP at 1.2 V). |
| Bits 11:0 | GAIN[11:0] : ADC trimming gain maximum positive (ADC_VINP at 1.2 V). |

27.1.4 DESIG ADC trimming mean diff (DESIG_ADCMEANDIFF)

Address offset: 0x00C

Reset value: 0xXXXXX XXXX (X is factory-programmed)

| | | | | | | | | | | | | | | | |
|---------------|------|------|------|------------|------|------|------|------|------|------|------|---------------|----|----|----|
| 31 | 30 | 29 | 28 | 27 | 26 | 25 | 24 | 23 | 22 | 21 | 20 | 19 | 18 | 17 | 16 |
| Res. | Res. | Res. | Res. | Res. | Res. | Res. | Res. | Res. | Res. | Res. | Res. | OFFSET[19:16] | | | |
| | | | | | | | | | | | | r | r | r | r |
| 15 | 14 | 13 | 12 | 11 | 10 | 9 | 8 | 7 | 6 | 5 | 4 | 3 | 2 | 1 | 0 |
| OFFSET[19:16] | | | | GAIN[11:0] | | | | | | | | | | | |
| r | r | r | r | r | r | r | r | r | r | r | r | r | r | r | r |

| | |
|------------|--|
| Bits 31:20 | Reserved, must be kept at reset value. |
| Bits 19:12 | OFFSET[19:12] : ADC trimming offset mean differential (ADC_VINP - ADC_VINM at 2.4 V). |
| Bits 11:0 | GAIN[11:0] : ADC trimming gain mean differential (ADC_VINP - ADC_VINM at 2.4 V). |

27.1.5 DESIG ADC trimming mean negative (DESIG_ADCMEANNEG)

Address offset: 0x010

Reset value: 0xXXXXX XXXX (X is factory-programmed)

| | | | | | | | | | | | | | | | |
|---------------|------|------|------|------------|------|------|------|------|------|------|------|---------------|----|----|----|
| 31 | 30 | 29 | 28 | 27 | 26 | 25 | 24 | 23 | 22 | 21 | 20 | 19 | 18 | 17 | 16 |
| Res. | Res. | Res. | Res. | Res. | Res. | Res. | Res. | Res. | Res. | Res. | Res. | OFFSET[19:16] | | | |
| | | | | | | | | | | | | r | r | r | r |
| 15 | 14 | 13 | 12 | 11 | 10 | 9 | 8 | 7 | 6 | 5 | 4 | 3 | 2 | 1 | 0 |
| OFFSET[19:16] | | | | GAIN[11:0] | | | | | | | | | | | |
| r | r | r | r | r | r | r | r | r | r | r | r | r | r | r | r |

| | |
|------------|---|
| Bits 31:20 | Reserved, must be kept at reset value. |
| Bits 19:12 | OFFSET[19:12] : ADC trimming offset mean negative (ADC_VINM at 2.4 V). |
| Bits 11:0 | GAIN[11:0] : ADC trimming gain mean negative (ADC_VINM at 2.4 V). |

27.1.6 DESIG ADC trimming max positive (DESIG_ADCMEANPOS)

Address offset: 0x000

Reset value: 0xXXXXX XXXX (X is factory-programmed)

| | | | | | | | | | | | | | | | |
|---------------|------|------|------|------------|------|------|------|------|------|------|------|---------------|----|----|----|
| 31 | 30 | 29 | 28 | 27 | 26 | 25 | 24 | 23 | 22 | 21 | 20 | 19 | 18 | 17 | 16 |
| Res. | Res. | Res. | Res. | Res. | Res. | Res. | Res. | Res. | Res. | Res. | Res. | OFFSET[19:16] | | | |
| | | | | | | | | | | | | r | r | r | r |
| 15 | 14 | 13 | 12 | 11 | 10 | 9 | 8 | 7 | 6 | 5 | 4 | 3 | 2 | 1 | 0 |
| OFFSET[19:16] | | | | GAIN[11:0] | | | | | | | | | | | |
| r | r | r | r | r | r | r | r | r | r | r | r | r | r | r | r |

| | |
|------------|---|
| Bits 31:20 | Reserved, must be kept at reset value. |
| Bits 19:12 | OFFSET[19:12] : ADC trimming offset mean positive (ADC_VINP at 2.4 V). |
| Bits 11:0 | GAIN[11:0] : ADC trimming gain mean positive (ADC_VINP at 2.4 V). |

27.1.7 DESIG ADC trimming min diff (DESIG_ADCMINDIFF)

Address offset: 0x018

Reset value: 0xXXXXX XXXX (X is factory-programmed)

| | | | | | | | | | | | | | | | |
|---------------|------|------|------|------------|------|------|------|------|------|------|------|---------------|----|----|----|
| 31 | 30 | 29 | 28 | 27 | 26 | 25 | 24 | 23 | 22 | 21 | 20 | 19 | 18 | 17 | 16 |
| Res. | Res. | Res. | Res. | Res. | Res. | Res. | Res. | Res. | Res. | Res. | Res. | OFFSET[19:16] | | | |
| | | | | | | | | | | | | r | r | r | r |
| 15 | 14 | 13 | 12 | 11 | 10 | 9 | 8 | 7 | 6 | 5 | 4 | 3 | 2 | 1 | 0 |
| OFFSET[19:16] | | | | GAIN[11:0] | | | | | | | | | | | |
| r | r | r | r | r | r | r | r | r | r | r | r | r | r | r | r |

| | |
|------------|---|
| Bits 31:20 | Reserved, must be kept at reset value. |
| Bits 19:12 | OFFSET[19:12] : ADC trimming offset minimum differential (ADC_VINP - ADC_VINM at 3.6 V). |
| Bits 11:0 | GAIN[11:0] : ADC trimming gain minimum differential (ADC_VINP - ADC_VINM at 3.6 V). |

27.1.8 DESIG ADC trimming min negative (DESIG_ADCMINNEG)

Address offset: 0x01C

Reset value: 0xXXXXX XXXX (X is factory-programmed)

| | | | | | | | | | | | | | | | |
|---------------|------|------|------|------------|------|------|------|------|------|------|------|---------------|----|----|----|
| 31 | 30 | 29 | 28 | 27 | 26 | 25 | 24 | 23 | 22 | 21 | 20 | 19 | 18 | 17 | 16 |
| Res. | Res. | Res. | Res. | Res. | Res. | Res. | Res. | Res. | Res. | Res. | Res. | OFFSET[19:16] | | | |
| | | | | | | | | | | | | r | r | r | r |
| 15 | 14 | 13 | 12 | 11 | 10 | 9 | 8 | 7 | 6 | 5 | 4 | 3 | 2 | 1 | 0 |
| OFFSET[19:16] | | | | GAIN[11:0] | | | | | | | | | | | |
| r | r | r | r | r | r | r | r | r | r | r | r | r | r | r | r |

| | |
|------------|--|
| Bits 31:20 | Reserved, must be kept at reset value. |
| Bits 19:12 | OFFSET[19:12] : ADC trimming offset minimum negative (ADC_VINM at 3.6 V). |
| Bits 11:0 | GAIN[11:0] : ADC trimming gain minimum negative (ADC_VINM at 3.6 V). |

27.1.9 DESIG ADC trimming min positive (DESIG_ADCMINPOS)

Address offset: 0x020

Reset value: 0xXXXXX XXXX (X is factory-programmed)

| | | | | | | | | | | | | | | | |
|---------------|------|------|------|------------|------|------|------|------|------|------|------|---------------|----|----|----|
| 31 | 30 | 29 | 28 | 27 | 26 | 25 | 24 | 23 | 22 | 21 | 20 | 19 | 18 | 17 | 16 |
| Res. | Res. | Res. | Res. | Res. | Res. | Res. | Res. | Res. | Res. | Res. | Res. | OFFSET[19:16] | | | |
| | | | | | | | | | | | | r | r | r | r |
| 15 | 14 | 13 | 12 | 11 | 10 | 9 | 8 | 7 | 6 | 5 | 4 | 3 | 2 | 1 | 0 |
| OFFSET[19:16] | | | | GAIN[11:0] | | | | | | | | | | | |
| r | r | r | r | r | r | r | r | r | r | r | r | r | r | r | r |

| | |
|------------|--|
| Bits 31:20 | Reserved, must be kept at reset value. |
| Bits 19:12 | OFFSET[19:12] : ADC trimming offset minimum positive (ADC_VINP at 3.6 V). |
| Bits 11:0 | GAIN[11:0] : ADC trimming gain minimum positive (ADC_VINP at 3.6 V). |

27.1.10 DESIG reference temperature register (DESIG_TSREFR)

Address offset: 0x05C

Reset value: 0xXXXXX XXXX (X is factory-programmed)

| | | | | | | | | | | | | | | | |
|---------------|----|----|----|----|----|----|----|----|----|----|----|----|----|----|----|
| 31 | 30 | 29 | 28 | 27 | 26 | 25 | 24 | 23 | 22 | 21 | 20 | 19 | 18 | 17 | 16 |
| TS_REF[31:16] | | | | | | | | | | | | | | | |
| r | r | r | r | r | r | r | r | r | r | r | r | r | r | r | r |
| 15 | 14 | 13 | 12 | 11 | 10 | 9 | 8 | 7 | 6 | 5 | 4 | 3 | 2 | 1 | 0 |
| TS_REF[15:0] | | | | | | | | | | | | | | | |
| r | r | r | r | r | r | r | r | r | r | r | r | r | r | r | r |

| | |
|-----------|--|
| Bits 31:0 | TS_REF[31:0] : reference temperature for ADC at 30°C. |
|-----------|--|

27.1.11 DESIG temperature calibration register (DESIG_TSCAL1R)

Address offset: 0x060

Reset value: 0xXXXXX XXXX (X is factory-programmed)

| | | | | | | | | | | | | | | | |
|---------------|----|----|----|----|----|----|----|----|----|----|----|----|----|----|----|
| 31 | 30 | 29 | 28 | 27 | 26 | 25 | 24 | 23 | 22 | 21 | 20 | 19 | 18 | 17 | 16 |
| TS_CAL[31:16] | | | | | | | | | | | | | | | |
| r | r | r | r | r | r | r | r | r | r | r | r | r | r | r | r |
| 15 | 14 | 13 | 12 | 11 | 10 | 9 | 8 | 7 | 6 | 5 | 4 | 3 | 2 | 1 | 0 |
| TS_CAL[15:0] | | | | | | | | | | | | | | | |
| r | r | r | r | r | r | r | r | r | r | r | r | r | r | r | r |

| | |
|-----------|---|
| Bits 31:0 | TS_CAL[31:0]: temperature measurement calibration for ADC at 30°C. |
|-----------|---|

27.1.12 DESIG package data register (DESIG_PKGR)

Address offset: 0x0EC

Reset value: 0xXXXXX XXXX (X is factory-programmed)

| | | | | | | | | | | | | | | | |
|------------|----|----|----|----|----|----|----|----|----|----|----|----|----|----|----|
| 31 | 30 | 29 | 28 | 27 | 26 | 25 | 24 | 23 | 22 | 21 | 20 | 19 | 18 | 17 | 16 |
| PKG[31:16] | | | | | | | | | | | | | | | |
| r | r | r | r | r | r | r | r | r | r | r | r | r | r | r | r |
| 15 | 14 | 13 | 12 | 11 | 10 | 9 | 8 | 7 | 6 | 5 | 4 | 3 | 2 | 1 | 0 |
| PKG[15:0] | | | | | | | | | | | | | | | |
| r | r | r | r | r | r | r | r | r | r | r | r | r | r | r | r |

| | |
|-----------|---|
| Bits 31:0 | <p>TS_REF[31:0]:</p> <p>Package type:</p> <p>0x5F325F32: VFQFPN32</p> <p>0xAC36AC36: WLCSP36</p> |
|-----------|---|

27.1.13 DESIG 64-bit unique device identifier register 1 (DESIG_UID64R1)

Address offset: 0x0F0

Reset value: 0xXXXXX XXXX (X is factory-programmed)

| | | | | | | | | | | | | | | | |
|------------|----|----|----|----|----|----|----|----|----|----|----|----|----|----|----|
| 31 | 30 | 29 | 28 | 27 | 26 | 25 | 24 | 23 | 22 | 21 | 20 | 19 | 18 | 17 | 16 |
| UID[31:16] | | | | | | | | | | | | | | | |
| r | r | r | r | r | r | r | r | r | r | r | r | r | r | r | r |
| 15 | 14 | 13 | 12 | 11 | 10 | 9 | 8 | 7 | 6 | 5 | 4 | 3 | 2 | 1 | 0 |
| UID[15:0] | | | | | | | | | | | | | | | |
| r | r | r | r | r | r | r | r | r | r | r | r | r | r | r | r |

| | |
|-----------|---|
| Bits 31:0 | UID[31:0]: unique serial number (first 4 bytes) |
|-----------|---|

27.1.14 DESIG 64-bit unique device identifier register 2 (DESIG_UID64R2)

Address offset: 0x0F4

Reset value: 0xXXXXX XXXX (X is factory-programmed)

| | | | | | | | | | | | | | | | |
|------------|----|----|----|----|----|----|----|----|----|----|----|----|----|----|----|
| 31 | 30 | 29 | 28 | 27 | 26 | 25 | 24 | 23 | 22 | 21 | 20 | 19 | 18 | 17 | 16 |
| UID[63:48] | | | | | | | | | | | | | | | |
| r | r | r | r | r | r | r | r | r | r | r | r | r | r | r | r |
| 15 | 14 | 13 | 12 | 11 | 10 | 9 | 8 | 7 | 6 | 5 | 4 | 3 | 2 | 1 | 0 |
| UID[47:32] | | | | | | | | | | | | | | | |
| r | r | r | r | r | r | r | r | r | r | r | r | r | r | r | r |

| | |
|-----------|---|
| Bits 31:0 | UID[63:32]: unique serial number (last 4 bytes) |
|-----------|---|

27.1.15 DESIG register map

Table 286. PWRC register map

| Offset | Register | 31 | 30 | 29 | 28 | 27 | 26 | 25 | 24 | 23 | 22 | 21 | 20 | 19 | 18 | 17 | 16 | 15 | 14 | 13 | 12 | 11 | 10 | 9 | 8 | 7 | 6 | 5 | 4 | 3 | 2 | 1 | 0 |
|-----------------|-----------------------|--------------|------|------|------|------|------|------|------|------|------|------|------|---------------|----|----|----|----|----|----|----|------------|----|---|---|---|---|---|---|---|---|---|---|
| 0x000 | DESIG_ADCMA XDIFF | Res. | Res. | Res. | Res. | Res. | Res. | Res. | Res. | Res. | Res. | Res. | Res. | OFFSET[19:12] | | | | | | | | GAIN[11:0] | | | | | | | | | | | |
| | Reset value | | | | | | | | | | | | | X | X | X | X | X | X | X | X | X | X | X | X | X | X | X | X | X | X | X | X |
| 0x004 | DESIG_ADCMA XNEG | Res. | Res. | Res. | Res. | Res. | Res. | Res. | Res. | Res. | Res. | Res. | Res. | OFFSET[19:12] | | | | | | | | GAIN[11:0] | | | | | | | | | | | |
| | Reset value | | | | | | | | | | | | | X | X | X | X | X | X | X | X | X | X | X | X | X | X | X | X | X | X | X | X |
| 0x008 | DESIG_ADCMA XPOS | Res. | Res. | Res. | Res. | Res. | Res. | Res. | Res. | Res. | Res. | Res. | Res. | OFFSET[19:12] | | | | | | | | GAIN[11:0] | | | | | | | | | | | |
| | Reset value | | | | | | | | | | | | | X | X | X | X | X | X | X | X | X | X | X | X | X | X | X | X | X | X | X | X |
| 0x00C | DESIG_ADCME ANDIFF | Res. | Res. | Res. | Res. | Res. | Res. | Res. | Res. | Res. | Res. | Res. | Res. | OFFSET[19:12] | | | | | | | | GAIN[11:0] | | | | | | | | | | | |
| | Reset value | | | | | | | | | | | | | X | X | X | X | X | X | X | X | X | X | X | X | X | X | X | X | X | X | X | X |
| 0x010 | DESIG_ADCME ANNEG | Res. | Res. | Res. | Res. | Res. | Res. | Res. | Res. | Res. | Res. | Res. | Res. | OFFSET[19:12] | | | | | | | | GAIN[11:0] | | | | | | | | | | | |
| | Reset value | | | | | | | | | | | | | X | X | X | X | X | X | X | X | X | X | X | X | X | X | X | X | X | X | X | X |
| 0x014 | DESIG_ADCME ANPOS | Res. | Res. | Res. | Res. | Res. | Res. | Res. | Res. | Res. | Res. | Res. | Res. | OFFSET[19:12] | | | | | | | | GAIN[11:0] | | | | | | | | | | | |
| | Reset value | | | | | | | | | | | | | X | X | X | X | X | X | X | X | X | X | X | X | X | X | X | X | X | X | X | X |
| 0x018 | DESIG_ADCMI NDIFF | Res. | Res. | Res. | Res. | Res. | Res. | Res. | Res. | Res. | Res. | Res. | Res. | OFFSET[19:12] | | | | | | | | GAIN[11:0] | | | | | | | | | | | |
| | Reset value | | | | | | | | | | | | | X | X | X | X | X | X | X | X | X | X | X | X | X | X | X | X | X | X | X | X |
| 0x01C | DESIG_ADCMI NNEG | Res. | Res. | Res. | Res. | Res. | Res. | Res. | Res. | Res. | Res. | Res. | Res. | OFFSET[19:12] | | | | | | | | GAIN[11:0] | | | | | | | | | | | |
| | Reset value | | | | | | | | | | | | | X | X | X | X | X | X | X | X | X | X | X | X | X | X | X | X | X | X | X | X |
| 0x020 | DESIG_ADCMI NPOS | Res. | Res. | Res. | Res. | Res. | Res. | Res. | Res. | Res. | Res. | Res. | Res. | OFFSET[19:12] | | | | | | | | GAIN[11:0] | | | | | | | | | | | |
| | Reset value | | | | | | | | | | | | | X | X | X | X | X | X | X | X | X | X | X | X | X | X | X | X | X | X | X | X |
| 0x024 - 0x5B | Reserved | Res. | | | | | | | | | | | | | | | | | | | | | | | | | | | | | | | |
| 0x05C | DESIG_TSREF R | TS_REF[31:0] | | | | | | | | | | | | | | | | | | | | | | | | | | | | | | | |
| | Reset value | r | r | r | r | r | r | r | r | r | r | r | r | r | r | r | r | r | r | r | r | r | r | r | r | r | r | r | r | r | r | r | |
| 0x060 | DESIG_TSCAL 1R | PKG [31:0] | | | | | | | | | | | | | | | | | | | | | | | | | | | | | | | |



| Offset | Register | 31 | 30 | 29 | 28 | 27 | 26 | 25 | 24 | 23 | 22 | 21 | 20 | 19 | 18 | 17 | 16 | 15 | 14 | 13 | 12 | 11 | 10 | 9 | 8 | 7 | 6 | 5 | 4 | 3 | 2 | 1 | 0 | | |
|---------------|----------------|------------|----|----|----|----|----|----|----|----|----|----|----|----|----|----|----|----|----|----|----|----|----|---|---|---|---|---|---|---|---|---|---|---|---|
| 0x060 | Reset value | r | r | r | r | r | r | r | r | r | r | r | r | r | r | r | r | r | r | r | r | r | r | r | r | r | r | r | r | r | r | r | r | r | r |
| 0x064 0xE8 | Reserved | Res. | | | | | | | | | | | | | | | | | | | | | | | | | | | | | | | | | |
| 0x0EC | DESIG_PKGR | PKG[31:0] | | | | | | | | | | | | | | | | | | | | | | | | | | | | | | | | | |
| | Reset value | r | r | r | r | r | r | r | r | r | r | r | r | r | r | r | r | r | r | r | r | r | r | r | r | r | r | r | r | r | r | r | r | r | |
| 0x0F0 | DESIG_UID64R 1 | UID[31:0] | | | | | | | | | | | | | | | | | | | | | | | | | | | | | | | | | |
| | Reset value | r | r | r | r | r | r | r | r | r | r | r | r | r | r | r | r | r | r | r | r | r | r | r | r | r | r | r | r | r | r | r | r | r | |
| 0x0F4 | DESIG_UID64R 2 | UID[63:32] | | | | | | | | | | | | | | | | | | | | | | | | | | | | | | | | | |
| | Reset value | r | r | r | r | r | r | r | r | r | r | r | r | r | r | r | r | r | r | r | r | r | r | r | r | r | r | r | r | r | r | r | r | r | |

Refer to [Section 2.2.2: Memory map and register boundary addresses](#) for the register boundary addresses.



Important security notice

The STMicroelectronics group of companies (ST) places a high value on product security, which is why the ST product(s) identified in this documentation may be certified by various security certification bodies and/or may implement our own security measures as set forth herein. However, no level of security certification and/or built-in security measures can guarantee that ST products are resistant to all forms of attacks. As such, it is the responsibility of each of ST's customers to determine if the level of security provided in an ST product meets the customer needs both in relation to the ST product alone, as well as when combined with other components and/or software for the customer end product or application. In particular, take note that:

- ST products may have been certified by one or more security certification bodies, such as Platform Security Architecture (www.psacertified.org) and/or Security Evaluation standard for IoT Platforms (www.trustcb.com). For details concerning whether the ST product(s) referenced herein have received security certification along with the level and current status of such certification, either visit the relevant certification standards website or go to the relevant product page on www.st.com for the most up to date information. As the status and/or level of security certification for an ST product can change from time to time, customers should re-check security certification status/level as needed. If an ST product is not shown to be certified under a particular security standard, customers should not assume it is certified.
- Certification bodies have the right to evaluate, grant and revoke security certification in relation to ST products. These certification bodies are therefore independently responsible for granting or revoking security certification for an ST product, and ST does not take any responsibility for mistakes, evaluations, assessments, testing, or other activity carried out by the certification body with respect to any ST product.
- Industry-based cryptographic algorithms (such as AES, DES, or MD5) and other open standard technologies which may be used in conjunction with an ST product are based on standards which were not developed by ST. ST does not take responsibility for any flaws in such cryptographic algorithms or open technologies or for any methods which have been or may be developed to bypass, decrypt or crack such algorithms or technologies.
- While robust security testing may be done, no level of certification can absolutely guarantee protections against all attacks, including, for example, against advanced attacks which have not been tested for, against new or unidentified forms of attack, or against any form of attack when using an ST product outside of its specification or intended use, or in conjunction with other components or software which are used by customer to create their end product or application. ST is not responsible for resistance against such attacks. As such, regardless of the incorporated security features and/or any information or support that may be provided by ST, each customer is solely responsible for determining if the level of attacks tested for meets their needs, both in relation to the ST product alone and when incorporated into a customer end product or application.
- All security features of ST products (inclusive of any hardware, software, documentation, and the like), including but not limited to any enhanced security features added by ST, are provided on an "AS IS" BASIS. AS SUCH, TO THE EXTENT PERMITTED BY APPLICABLE LAW, ST DISCLAIMS ALL WARRANTIES, EXPRESS OR IMPLIED, INCLUDING BUT NOT LIMITED TO THE IMPLIED WARRANTIES OF MERCHANTABILITY OR FITNESS FOR A PARTICULAR PURPOSE, unless the applicable written and signed contract terms specifically provide otherwise.

Revision history

Table 287. Document revision history

| Date | Version | Changes |
|-------------|---------|--|
| 25-Jun-2024 | 1 | Initial release. |
| 20-Nov-2024 | 2 | <p>Updated:</p> <ul style="list-style-type: none"> • Section 7.3.2: I/O pin alternate function multiplexer and mapping (EVENTOUT description) • Table 18. GPIO register map and reset values (typo in register name @0x18) • Table 22. Command list available for customer • Section 11.5.1: DMAMUX request line multiplexer channel x configuration register (DMAMUX_CxCR) • Figure 22. ADC top level diagram • Section 12.2.1: Temperature sensor subsystem • Figure 23. ADC sampling time Tsw and sampling period Ts • Section 12.5.1: ADC mode overview <p>Added:</p> <ul style="list-style-type: none"> • Section 12.2.2: Battery sensor • Section 12.2.6: Calibration points • Cross-reference note to DESIG registers in Section 12.6.8: ADC gain and offset correction 1 register (COMP_1) through Section 12.6.11: ADC gain and offset correction 4 register (COMP_4). <p>Removed ADC TIMER_CONF register.</p> |

Contents

| | | |
|----------|--|-----------|
| 1 | Documentation conventions | 2 |
| 1.1 | General information | 2 |
| 1.2 | List of abbreviations for registers | 2 |
| 1.3 | Glossary | 2 |
| 1.4 | Availability of peripherals | 3 |
| 1.5 | Acronyms | 3 |
| 2 | System and memory overview | 6 |
| 2.1 | System architecture | 6 |
| 2.1.1 | S0: CPU (Cortex [®] -M0+) S-bus | 7 |
| 2.1.2 | S1: DMA-bus | 7 |
| 2.1.3 | S2: radio system-bus | 7 |
| 2.1.4 | BusMatrix | 7 |
| 2.2 | Memory organization | 7 |
| 2.2.1 | Introduction | 7 |
| 2.2.2 | Memory map and register boundary addresses | 9 |
| 2.3 | Arm [®] Cortex [®] -M0+ | 10 |
| 2.3.1 | CPU memory remap | 11 |
| 2.3.2 | Interrupts | 11 |
| 3 | AHB up/down converter | 14 |
| 3.1 | AHB up/down converter description | 14 |
| 4 | I/O operating modes | 16 |
| 5 | Power controller (PWRC) | 20 |
| 5.1 | Features | 20 |
| 5.2 | Power supply domains | 20 |
| 5.3 | Power voltage supervisor | 21 |
| 5.3.1 | Power-on reset POR / power-down reset (PDR) / Brownout Reset (BOR) | 21 |
| 5.3.2 | Power voltage detection (PVD) | 22 |
| 5.4 | Operating modes | 22 |
| 5.4.1 | Run mode | 22 |
| 5.4.2 | Deepstop mode | 23 |
| 5.4.3 | Shutdown mode | 25 |
| 5.4.4 | Operating mode transition management | 26 |
| 5.5 | SMPS step-down regulator | 27 |
| 5.6 | I/O pull-ups/pull-downs during low power mode | 29 |
| 5.7 | PWRC registers | 30 |

| | | |
|------------|--|-----------|
| 5.7.1 | Control register 1 (PWRC_CR1) | 30 |
| 5.7.2 | Control register 2 (PWRC_CR2) | 31 |
| 5.7.3 | Control register 3 (PWRC_CR3) | 32 |
| 5.7.4 | Control register 4 (PWRC_CR4) | 34 |
| 5.7.5 | Status register 1 (PWRC_SR1) | 35 |
| 5.7.6 | Status register 2 (PWRC_SR2) | 37 |
| 5.7.7 | Control register 5 (PWRC_CR5) | 39 |
| 5.7.8 | I/O port A pull-up control register (PWRC_PUCRA) | 41 |
| 5.7.9 | I/O port A pull-down control register (PWRC_PDCRA) | 42 |
| 5.7.10 | I/O port B pull-up control register (PWRC_PUCRB) | 43 |
| 5.7.11 | I/O port B pull-down control register (PWRC_PDCRB) | 45 |
| 5.7.12 | Control register 6 (PWRC_CR6) | 47 |
| 5.7.13 | Control register 7 (PWRC_CR7) | 48 |
| 5.7.14 | Status register 3 (PWRC_SR3) | 49 |
| 5.7.15 | Debug register (PWRC_DBGRR) | 50 |
| 5.7.16 | Extended status and reset register (PWRC_EXTSRR) | 51 |
| 5.7.17 | PWRC register map | 52 |
| 5.8 | Programmer model | 56 |
| 5.8.1 | Reset reason management | 56 |
| 5.8.2 | SMPS output level re-programming | 56 |
| 6 | Reset and clock controller (RCC) | 58 |
| 6.1 | Reset management | 58 |
| 6.1.1 | General description | 58 |
| 6.1.2 | Power reset | 59 |
| 6.1.3 | Watchdog reset | 59 |
| 6.1.4 | LOCKUP reset | 59 |
| 6.1.5 | System reset request | 59 |
| 6.1.6 | Deepstop exit | 59 |
| 6.2 | Clock management | 59 |
| 6.2.1 | System clock details | 60 |
| 6.2.2 | Peripheral clock details | 61 |
| 6.2.3 | Slow clock frequency details | 62 |
| 6.3 | System frequency switch while MR_BLE is used | 62 |
| 6.4 | Clock observation on external pad | 63 |
| 6.5 | Miscellaneous | 63 |
| 6.5.1 | IO BOOSTER | 63 |
| 6.6 | RCC registers | 64 |
| 6.6.1 | Clock source control register (RCC_CR) | 64 |

| | | |
|----------|---|-----------|
| 6.6.2 | Clocks configuration register (RCC_CFGR) | 66 |
| 6.6.3 | Clock interrupt enable register (RCC_CIER) | 69 |
| 6.6.4 | Clock interrupt flag register (RCC_CIFR) | 70 |
| 6.6.5 | Clock switch command register (RCC_CSCMDR) | 71 |
| 6.6.6 | AHB0 macro cells reset register (RCC_AHBRSTR) | 73 |
| 6.6.7 | APB0 macro cells reset register (RCC_APB0RSTR) | 73 |
| 6.6.8 | APB1 macro cells reset register (RCC_APB1RSTR) | 74 |
| 6.6.9 | APB2 macro cells reset register (RCC_APB2RSTR) | 76 |
| 6.6.10 | AHB0 macro cells clock enable register (RCC_AHBCENR) | 76 |
| 6.6.11 | APB0 macro cell clock enable register (RCC_APB0ENR) | 77 |
| 6.6.12 | APB1 macro cells clock enable register (RCC_APB1ENR) | 78 |
| 6.6.13 | APB2 macro cells clock enable register (RCC_APB2ENR) | 80 |
| 6.6.14 | V33 reset status register (RCC_CSR) | 81 |
| 6.6.15 | RF software high speed external register (RCC_RFSWHSECR) | 82 |
| 6.6.16 | RF high speed external register (RCC_RFHSECR) | 83 |
| 6.6.17 | RCC register map | 84 |
| 6.7 | Programmer model | 91 |
| 6.7.1 | Switch the system on the PLL64M clock tree | 91 |
| 6.7.2 | Use the direct HSE instead of the RC64MPLL block | 91 |
| 6.7.3 | Changing the system clock frequency while the MR_BLE is enabled | 92 |
| 7 | General-purpose I/O (GPIO) | 93 |
| 7.1 | Introduction | 93 |
| 7.2 | GPIO main features | 93 |
| 7.3 | GPIO functional description | 93 |
| 7.3.1 | General-purpose I/O (GPIO) | 95 |
| 7.3.2 | I/O pin alternate function multiplexer and mapping | 96 |
| 7.3.3 | I/O port control registers | 96 |
| 7.3.4 | I/O port data registers | 96 |
| 7.3.5 | I/O data bitwise handling | 97 |
| 7.3.6 | GPIO locking mechanism | 97 |
| 7.3.7 | I/O alternate function input/output | 97 |
| 7.3.8 | External interrupt/wakeup lines | 97 |
| 7.3.9 | Input configuration | 97 |
| 7.3.10 | Output configuration | 98 |
| 7.3.11 | Alternate function configuration | 99 |
| 7.3.12 | Analog configuration | 99 |
| 7.3.13 | Using the LSE oscillator pins as GPIOs | 100 |
| 7.4 | GPIO registers | 101 |

| | | |
|----------|---|------------|
| 7.4.1 | GPIOA port mode register (GPIOA_MODER) | 101 |
| 7.4.2 | GPIOB port mode register (GPIOB_MODER) | 101 |
| 7.4.3 | GPIOA port output type register (GPIOA_OTYPER) | 102 |
| 7.4.4 | GPIOB port output type register (GPIOB_OTYPER) | 102 |
| 7.4.5 | GPIOA port output speed register (GPIOA_OSPEEDR) | 103 |
| 7.4.6 | GPIOB port output speed register (GPIOB_OSPEEDR) | 103 |
| 7.4.7 | GPIOA port pull-up/pull-down register (GPIOA_PUPDR) | 104 |
| 7.4.8 | GPIOB port pull-up/pull-down register (GPIOB_PUPDR) | 104 |
| 7.4.9 | GPIOA port input data register (GPIOA_IDR) | 105 |
| 7.4.10 | GPIOB port input data register (GPIOB_IDR) | 105 |
| 7.4.11 | GPIOA port output data register (GPIOA_ODR) | 106 |
| 7.4.12 | GPIOB port output data register (GPIOB_ODR) | 106 |
| 7.4.13 | GPIOA port bit set/reset register (GPIOA_BSRR) | 107 |
| 7.4.14 | GPIOB port bit set/reset register (GPIOB_BSRR) | 107 |
| 7.4.15 | GPIOA port configuration lock register (GPIOA_LCKR) | 108 |
| 7.4.16 | GPIOB port configuration lock register (GPIOB_LCKR) | 108 |
| 7.4.17 | GPIOA alternate function low register (GPIOA_AFRL) | 110 |
| 7.4.18 | GPIOB alternate function low register (GPIOB_AFRL) | 110 |
| 7.4.19 | GPIOA alternate function high register (GPIOA_AFRH) | 111 |
| 7.4.20 | GPIOB alternate function high register (GPIOB_AFRH) | 111 |
| 7.4.21 | GPIOA port bit reset register (GPIOA_BRR) | 111 |
| 7.4.22 | GPIOB port bit reset register (GPIOB_BRR) | 112 |
| 7.4.23 | GPIO register map | 113 |
| 8 | System controller (SYSCFG) | 118 |
| 8.1 | SYSCFG main features | 118 |
| 8.2 | System controller registers | 118 |
| 8.2.1 | Die ID register (DIE_ID) | 118 |
| 8.2.2 | JTAG ID register (JTAG_ID) | 119 |
| 8.2.3 | I2C Fast-Mode Plus pin capability control register (I2C_FMP_CTRL) | 120 |
| 8.2.4 | I/O interrupt detection type register (IO_DTR) | 121 |
| 8.2.5 | I/O interrupt edge register (IO_IBER) | 122 |
| 8.2.6 | I/O interrupt polarity event register (IO_IEVR) | 123 |
| 8.2.7 | I/O interrupt enable register (IO_IER) | 124 |
| 8.2.8 | I/O Interrupt status and clear register (IO_ISCR) | 125 |
| 8.2.9 | Power controller interrupt enable register (PWRC_IER) | 126 |
| 8.2.10 | Power controller interrupt status and clear register (PWRC_ISCR) | 127 |
| 8.2.11 | MR_BLE RX or TX sequence information detection type register (BLERXTX_DTR) | 128 |
| 8.2.12 | MR_BLE RX or TX sequence information detection type register (BLERXTX_IBER) | 129 |

| | | |
|-----------|---|------------|
| 8.2.13 | MR_BLE RX or TX sequence information detection event register (BLERXTX_IEVR) . . . | 130 |
| 8.2.14 | MR_BLE RX or TX sequence information detection interrupt enable register (BLERXTX_IER) | 131 |
| 8.2.15 | MR_BLE RX or TX sequence information detection status and clear register (BLERXTX_ISCR) | 132 |
| 8.2.16 | System controller register map | 133 |
| 9 | Embedded Flash memory | 136 |
| 9.1 | Flash main features | 136 |
| 9.2 | Description | 136 |
| 9.3 | Flash controller register map | 137 |
| 9.4 | Flash controller registers | 138 |
| 9.4.1 | Command register (COMMAND) | 138 |
| 9.4.2 | Configuration register (CONFIG) | 139 |
| 9.4.3 | Interrupt status register (IRQSTAT) | 140 |
| 9.4.4 | Interrupt mask register (IRQMASK) | 141 |
| 9.4.5 | Raw status register (IRQRAW) | 142 |
| 9.4.6 | SIZE register | 143 |
| 9.4.7 | Address register (ADDRESS) | 144 |
| 9.4.8 | Linear feedback shift register (LFSRVAL) | 145 |
| 9.4.9 | Main Flash page protection registers (PAGEPROTx) | 145 |
| 9.4.10 | Data registers (DATA0-DATA3) | 147 |
| 9.5 | Programmer model | 148 |
| 9.5.1 | General information | 148 |
| 9.5.2 | Read function examples | 149 |
| 9.5.3 | Erase function examples | 149 |
| 9.5.4 | Write function examples | 150 |
| 9.5.5 | Enabling protection example | 151 |
| 9.5.6 | OTP function example | 151 |
| 9.5.7 | Write page protection example | 152 |
| 10 | DMA controller (DMA) | 153 |
| 10.1 | DMA introduction | 153 |
| 10.2 | DMA main features | 153 |
| 10.3 | DMA functional description | 153 |
| 10.3.1 | DMA transactions | 153 |
| 10.3.2 | Arbiter | 154 |
| 10.3.3 | DMA channels | 154 |
| 10.3.4 | Programmable data width, data alignment and endians | 155 |
| 10.3.5 | Error management | 156 |

| | | |
|-------------|--|------------|
| 10.3.6 | Interrupts | 156 |
| 10.3.7 | DMA request mapping | 156 |
| 10.4 | DMA registers | 157 |
| 10.4.1 | DMA interrupt status register (DMA_ISR) | 157 |
| 10.4.2 | DMA interrupt flag clear register (DMA_IFCR) | 158 |
| 10.4.3 | DMA channel x configuration register (DMA_CCRx) (x = 1..8, where x = channel number) | 159 |
| 10.4.4 | DMA channel x number of data register (DMA_CNDTRx) (x = 1..8, where x = channel number) | 161 |
| 10.4.5 | DMA channel x peripheral address register (DMA_CPARx) (x = 1..8, where x = channel number) | 162 |
| 10.4.6 | DMA channel x memory address register (DMA_CMARx) (x = 1..8, where x = channel number) | 163 |
| 10.4.7 | DMA register map | 164 |
| 11 | DMA request multiplexer (DMAMUX) | 169 |
| 11.1 | Introduction | 169 |
| 11.2 | DMAMUX main features | 169 |
| 11.3 | DMAMUX implementation | 169 |
| 11.3.1 | DMAMUX instantiation | 169 |
| 11.3.2 | DMAMUX mapping | 170 |
| 11.4 | DMAMUX functional description | 170 |
| 11.4.1 | DMAMUX block diagram | 170 |
| 11.4.2 | DMAMUX channels | 171 |
| 11.4.3 | DMAMUX request line multiplexer | 171 |
| 11.5 | DMAMUX registers | 172 |
| 11.5.1 | DMAMUX request line multiplexer channel x configuration register (DMAMUX_CxCR) | 172 |
| 11.5.2 | DMAMUX register map | 173 |
| 12 | Analog digital converter (ADC) | 175 |
| 12.1 | Features | 175 |
| 12.2 | ADC presentation | 175 |
| 12.2.1 | Temperature sensor subsystem | 176 |
| 12.2.2 | Battery sensor | 177 |
| 12.2.3 | ADC input mode conversion | 177 |
| 12.2.4 | Steady-state input impedance | 177 |
| 12.2.5 | Input signal sampling transient response | 177 |
| 12.2.6 | Calibration points | 178 |
| 12.2.7 | Down sampler (DS) | 179 |
| 12.3 | Interrupts | 180 |

| | | |
|----------------|--|------------|
| 12.4 | DMA interface | 180 |
| 12.5 | ADC mode | 180 |
| 12.5.1 | ADC mode overview | 180 |
| 12.6 | ADC registers | 182 |
| 12.6.1 | Version register (VERSION_ID) | 182 |
| 12.6.2 | ADC configuration register (CONF) | 182 |
| 12.6.3 | ADC control register (CTRL) | 184 |
| 12.6.4 | ADC input voltage switch selection register (SWITCH) | 185 |
| 12.6.5 | Down sampler configuration register (DS_CONF) | 186 |
| 12.6.6 | ADC sequence programming 1 register (SEQ_1) | 187 |
| 12.6.7 | ADC sequence programming 2 register (SEQ_2) | 188 |
| 12.6.8 | ADC gain and offset correction 1 register (COMP_1) | 189 |
| 12.6.9 | ADC gain and offset correction 2 register (COMP_2) | 190 |
| 12.6.10 | ADC gain and offset correction 3 register (COMP_3) | 190 |
| 12.6.11 | ADC gain and offset correction 4 register (COMP_4) | 191 |
| 12.6.12 | ADC gain and offset selection register (COMP_SEL) | 192 |
| 12.6.13 | ADC watchdog threshold register (WD_TH) | 193 |
| 12.6.14 | ADC watchdog configuration register (WD_CONF) | 194 |
| 12.6.15 | Down sampler data out register (DS_DATAOUT) | 194 |
| 12.6.16 | ADC interrupt status register (IRQ_STATUS) | 195 |
| 12.6.17 | ADC interrupt enable register (IRQ_ENABLE) | 196 |
| 12.6.18 | ADC register map | 197 |
| 13 | Public key accelerator (PKA) | 203 |
| 13.1 | Introduction | 203 |
| 13.2 | PKA main features | 203 |
| 13.3 | PKA functional description | 203 |
| 13.3.1 | Enabling/disabling PKA | 204 |
| 13.3.2 | PKA RAM | 205 |
| 13.3.3 | Executing a PKA operation | 205 |
| 13.3.4 | Security level | 205 |
| 13.3.5 | PKA error management | 205 |
| 13.4 | Operating modes | 206 |
| 13.4.1 | Compute Montgomery parameter | 207 |
| 13.4.2 | Compute modular exponentiation | 208 |
| 13.4.3 | Compute the ECC scalar multiplication | 209 |
| 13.4.4 | Point check | 210 |
| 13.4.5 | ECDSA sign | 211 |
| 13.4.6 | ECDSA verification | 212 |

| | | |
|-------------|---|------------|
| 13.4.7 | RSA CRT exponentiation | 213 |
| 13.4.8 | Modular reduction | 213 |
| 13.4.9 | Arithmetic addition | 214 |
| 13.4.10 | Arithmetic Subtraction | 215 |
| 13.4.11 | Comparison | 216 |
| 13.4.12 | Arithmetic multiplication | 216 |
| 13.4.13 | Modular addition | 217 |
| 13.4.14 | Modular inversion | 217 |
| 13.4.15 | Modular subtraction | 218 |
| 13.4.16 | Montgomery multiplication | 218 |
| 13.5 | Processing time | 219 |
| 13.5.1 | PKA interrupts | 221 |
| 13.6 | PKA registers | 222 |
| 13.6.1 | PKA control register (PKA_CR) | 222 |
| 13.6.2 | PKA status register (PKA_SR) | 224 |
| 13.6.3 | PKA clear flag register (PKA_CLRFR) | 225 |
| 13.6.4 | PKA RAM memory | 226 |
| 13.6.5 | PKA register map | 227 |
| 14 | Random number generator (RNG) | 228 |
| 14.1 | Features | 228 |
| 14.2 | RNG registers | 229 |
| 14.2.1 | RNG configuration register (RNG_CR) | 229 |
| 14.2.2 | RNG status flag register (RNG_SR) | 230 |
| 14.2.3 | RNG value register (RNG_VAL) | 230 |
| 14.2.4 | RNG register map | 231 |
| 15 | Cyclic redundancy check calculation unit (CRC) | 232 |
| 15.1 | Introduction | 232 |
| 15.2 | CRC main features | 232 |
| 15.3 | CRC functional description | 232 |
| 15.3.1 | CRC block diagram | 232 |
| 15.3.2 | CRC operation | 233 |
| 15.4 | CRC registers | 234 |
| 15.4.1 | Data register (CRC_DR) | 234 |
| 15.4.2 | Independent data register (CRC_IDR) | 234 |
| 15.4.3 | Control register (CRC_CR) | 235 |
| 15.4.4 | Initial CRC value (CRC_INIT) | 235 |
| 15.4.5 | CRC polynomial (CRC_POL) | 236 |

| | | |
|-----------|---|------------|
| 15.4.6 | CRC register map | 237 |
| 16 | General purpose timer (TIM2) | 238 |
| 16.1 | TIM2 introduction | 238 |
| 16.2 | TIM2 main features | 238 |
| 16.3 | TIM2 functional description | 239 |
| 16.3.1 | Time-base unit | 239 |
| 16.3.2 | Counter modes | 241 |
| 16.3.3 | Repetition counter | 249 |
| 16.3.4 | External trigger input | 250 |
| 16.3.5 | Clock selection | 250 |
| 16.3.6 | Capture/compare channels | 252 |
| 16.3.7 | Input capture mode | 254 |
| 16.3.8 | PWM input mode | 254 |
| 16.3.9 | Forced output mode | 256 |
| 16.3.10 | Output compare mode | 256 |
| 16.3.11 | PWM mode | 257 |
| 16.3.12 | Asymmetric PWM mode | 259 |
| 16.3.13 | Combined PWM mode | 260 |
| 16.3.14 | Clearing the OCxREF signal on an external event | 261 |
| 16.3.15 | One-pulse mode | 262 |
| 16.3.16 | Retriggerable one-pulse mode (OPM) | 263 |
| 16.3.17 | Encoder interface mode | 263 |
| 16.3.18 | UIF bit remapping | 266 |
| 16.3.19 | Timer input XOR function | 266 |
| 16.3.20 | DMA burst mode | 266 |
| 16.4 | TIM2 registers | 268 |
| 16.4.1 | TIM2 control register 1 (TIMx_CR1) | 268 |
| 16.4.2 | TIM2 control register 2 (TIMx_CR2) | 270 |
| 16.4.3 | TIM2 slave mode control register (TIMx_SMCR) | 271 |
| 16.4.4 | TIM2 DMA/interrupt enable register (TIMx_DIER) | 273 |
| 16.4.5 | TIM2 status register (TIMx_SR) | 274 |
| 16.4.6 | TIM2 event generation register (TIMx_EGR) | 275 |
| 16.4.7 | TIM2 capture/compare mode register 1 (TIMx_CCMR1) | 276 |
| 16.4.8 | TIM2 capture/compare mode register 2 (TIMx_CCMR2) | 280 |
| 16.4.9 | TIM2 capture/compare enable register (TIMx_CCER) | 282 |
| 16.4.10 | TIM2 counter (TIMx_CNT) | 283 |
| 16.4.11 | TIM2 prescaler (TIMx_PSC) | 283 |
| 16.4.12 | TIM2 auto-reload register (TIMx_ARR) | 284 |

| | | |
|-----------|---|------------|
| 16.4.13 | TIM2 repetition counter register (TIMx_RCR) | 284 |
| 16.4.14 | TIM2 capture/compare register 1 (TIMx_CCR1) | 284 |
| 16.4.15 | TIM2 capture/compare register 2 (TIMx_CCR2) | 285 |
| 16.4.16 | TIM2 capture/compare register 3 (TIMx_CCR3) | 285 |
| 16.4.17 | TIM2 capture/compare register 4 (TIMx_CCR4) | 286 |
| 16.4.18 | TIM2 DMA control register (TIM2_DCR) | 287 |
| 16.4.19 | TIM2 DMA address for full transfer (TIM2_DMAR) | 288 |
| 16.4.20 | TIM2 input selection register (TIM2_TISEL) | 288 |
| 16.4.21 | TIM2 register map | 289 |
| 17 | General purpose timer (TIM16/17) | 295 |
| 17.1 | TIM16/17 introduction | 295 |
| 17.2 | TIM16 and TIM17 main features | 295 |
| 17.3 | TIM16/17 functional description | 296 |
| 17.3.1 | Time-base unit | 296 |
| 17.3.2 | Counter modes | 297 |
| 17.3.3 | Repetition counter | 300 |
| 17.3.4 | Clock selection | 301 |
| 17.3.5 | Capture/compare channels | 301 |
| 17.3.6 | Input capture mode | 303 |
| 17.3.7 | Forced output mode | 304 |
| 17.3.8 | Output compare mode | 304 |
| 17.3.9 | PWM mode | 305 |
| 17.3.10 | Complementary outputs and deadtime insertion | 306 |
| 17.3.11 | Using the break function | 307 |
| 17.3.12 | Bidirectional break inputs | 309 |
| 17.3.13 | One-pulse mode | 310 |
| 17.3.14 | UIF bit remapping | 311 |
| 17.3.15 | DMA burst mode | 311 |
| 17.4 | TIM16/17 registers | 313 |
| 17.4.1 | TIM16/17 control register 1 (TIMx_CR1) | 314 |
| 17.4.2 | TIM16/17 control register 2 (TIMx_CR2) | 316 |
| 17.4.3 | TIM16/17 DMA/interrupt enable register (TIMx_DIER) | 317 |
| 17.4.4 | TIM16/17 status register (TIMx_SR) | 318 |
| 17.4.5 | TIM16 and 17 event generation register (TIMx_EGR) | 319 |
| 17.4.6 | TIM16/17 capture/compare mode register 1 (TIMx_CCMR1) | 320 |
| 17.4.7 | TIM16/17 capture/compare enable register (TIMx_CCER) | 323 |
| 17.4.8 | TIM16/17 counter (TIMx_CNT) | 325 |
| 17.4.9 | TIM16/17 prescaler (TIMx_PSC) | 326 |

| | | |
|-----------|---|------------|
| 17.4.10 | TIM16/17 auto-reload register (TIMx_ARR) | 327 |
| 17.4.11 | TIM16/17 repetition counter register (TIMx_RCR)..... | 328 |
| 17.4.12 | TIM16/17 capture/compare register 1 (TIMx_CCR1)..... | 329 |
| 17.4.13 | TIM16/17 break and deadtime register (TIMx_BDTR)..... | 330 |
| 17.4.14 | TIM16/17 DMA control register (TIMx_DCR)..... | 333 |
| 17.4.15 | TIM16/17 DMA address for full transfer (TIMx_DMAR)..... | 334 |
| 17.4.16 | TIM17 option register 1 (TIM17_OR1)..... | 335 |
| 17.4.17 | TIM16/17 alternate function register 1(TIMx_AF1) | 336 |
| 17.4.18 | TIM16/17 input selection register (TIM16_TISEL)..... | 338 |
| 17.4.19 | TIM16/17 register map | 339 |
| 18 | Infrared interface (IRTIM) | 344 |
| 19 | Real-time clock (RTC)..... | 345 |
| 19.1 | Introduction | 345 |
| 19.2 | RTC main features | 345 |
| 19.3 | RTC functional description | 346 |
| 19.3.1 | RTC block diagram | 346 |
| 19.3.2 | Clock and prescalers..... | 346 |
| 19.3.3 | Real-time clock and calendar | 347 |
| 19.3.4 | Programmable alarm..... | 347 |
| 19.3.5 | Periodic auto-wakeup | 347 |
| 19.3.6 | RTC initialization and configuration | 348 |
| 19.3.7 | Reading the calendar | 349 |
| 19.3.8 | Resetting the RTC..... | 349 |
| 19.3.9 | RTC synchronization..... | 349 |
| 19.3.10 | RTC smooth digital calibration..... | 350 |
| 19.3.11 | Calibration clock output..... | 351 |
| 19.3.12 | Alarm output | 352 |
| 19.4 | RTC low-power modes | 352 |
| 19.5 | RTC interrupts | 352 |
| 19.6 | RTC registers..... | 353 |
| 19.6.1 | RTC time register (RTC_TR)..... | 353 |
| 19.6.2 | RTC date register (RTC_DR) | 354 |
| 19.6.3 | RTC control register (RTC_CR) | 355 |
| 19.6.4 | RTC initialization and status register (RTC_ISR)..... | 357 |
| 19.6.5 | RTC prescaler register (RTC_PRER) | 359 |
| 19.6.6 | RTC wakeup timer register (RTC_WUTR)..... | 359 |
| 19.6.7 | RTC alarm A register (RTC_ALRMAR) | 360 |

| | | |
|-----------|--|------------|
| 19.6.8 | RTC write protection register (RTC_WPR) | 361 |
| 19.6.9 | RTC sub-second register (RTC_SSR) | 361 |
| 19.6.10 | RTC shift control register (RTC_SHIFTR) | 362 |
| 19.6.11 | RTC calibration register (RTC_CALR) | 363 |
| 19.6.12 | RTC alarm A sub second register (RTC_ALRMASR) | 364 |
| 19.6.13 | RTC backup registers (RTC_BKPxR) | 365 |
| 19.6.14 | RTC register map | 366 |
| 20 | Independent watchdog (IWDG) | 370 |
| 20.1 | Introduction | 370 |
| 20.2 | IWDG main features | 370 |
| 20.3 | IWDG functional description | 370 |
| 20.3.1 | Window option | 370 |
| 20.3.2 | Register access protection | 371 |
| 20.3.3 | Debug mode | 371 |
| 20.4 | IWDG registers | 371 |
| 20.4.1 | Key register (IWDG_KR) | 371 |
| 20.4.2 | Prescaler register (IWDG_PR) | 372 |
| 20.4.3 | Reload register (IWDG_RLR) | 372 |
| 20.4.4 | Status register (IWDG_SR) | 373 |
| 20.4.5 | Window register (IWDG_WINR) | 374 |
| 20.4.6 | IWDG register map | 375 |
| 21 | Inter-integrated circuit (I²C) interface | 377 |
| 21.1 | Introduction | 377 |
| 21.2 | I ² C main features | 377 |
| 21.3 | I ² C implementation | 378 |
| 21.4 | I ² C functional description | 378 |
| 21.4.1 | I ² C block diagram | 378 |
| 21.4.2 | I ² C clock requirements | 379 |
| 21.4.3 | Mode selection | 379 |
| 21.4.4 | I ² C initialization | 380 |
| 21.4.5 | Software reset | 383 |
| 21.4.6 | Data transfer | 383 |
| 21.4.7 | I ² C slave mode | 385 |
| 21.4.8 | I ² C master mode | 391 |
| 21.4.9 | I2C_TIMINGR register configuration examples | 401 |
| 21.4.10 | SMBus specific features | 401 |
| 21.4.11 | SMBus initialization | 403 |

| | | |
|----------------|--|------------|
| 21.4.12 | SMBus: I2C_TIMEOUTR register configuration examples | 405 |
| 21.4.13 | SMBus slave mode | 405 |
| 21.4.14 | Error conditions | 410 |
| 21.4.15 | DMA requests | 411 |
| 21.5 | I2C interrupts | 412 |
| 21.6 | I2C registers | 414 |
| 21.6.1 | Control register 1 (I2C_CR1) | 414 |
| 21.6.2 | Control register 2 (I2C_CR2) | 417 |
| 21.6.3 | Own address 1 register (I2C_OAR1) | 420 |
| 21.6.4 | Own address 2 register (I2C_OAR2) | 421 |
| 21.6.5 | Timing register (I2C_TIMINGR) | 422 |
| 21.6.6 | Timeout register (I2C_TIMEOUTR) | 423 |
| 21.6.7 | Interrupt and status register (I2C_ISR) | 424 |
| 21.6.8 | Interrupt clear register (I2C_ICR) | 426 |
| 21.6.9 | PEC register (I2C_PECR) | 427 |
| 21.6.10 | Receive data register (I2C_RXDR) | 428 |
| 21.6.11 | Transmit data register (I2C_TXDR) | 429 |
| 21.6.12 | I2C register map | 430 |
| 22 | Universal synchronous asynchronous receiver transmitter (USART) | 433 |
| 22.1 | USART introduction | 433 |
| 22.2 | USART main features | 433 |
| 22.3 | USART extended features | 434 |
| 22.4 | USART implementation | 434 |
| 22.5 | USART functional description | 435 |
| 22.5.1 | USART character description | 436 |
| 22.5.2 | FIFOs and thresholds | 437 |
| 22.5.3 | Transmitter | 438 |
| 22.5.4 | Receiver | 441 |
| 22.5.5 | Baud rate generation | 445 |
| 22.5.6 | Tolerance of the USART receiver to clock deviation | 446 |
| 22.5.7 | Auto baud rate detection | 447 |
| 22.5.8 | Multiprocessor communication | 448 |
| 22.5.9 | Modbus communication | 449 |
| 22.5.10 | Parity control | 450 |
| 22.5.11 | LIN (local interconnection network) mode | 450 |
| 22.5.12 | USART synchronous mode | 452 |
| 22.5.13 | Single-wire half-duplex communication | 455 |
| 22.5.14 | Receiver timeout | 456 |

| | | | |
|-----------|---------|---|------------|
| | 22.5.15 | Smartcard mode | 456 |
| | 22.5.16 | IrDA SIR ENDEC block | 459 |
| | 22.5.17 | Continuous communication using DMA | 461 |
| | 22.5.18 | RS232 hardware flow control and RS485 driver enable | 463 |
| 22.6 | | USART interrupts | 465 |
| 22.7 | | USART registers | 466 |
| | 22.7.1 | Control register 1 (USARTx_CR1) | 466 |
| | 22.7.2 | Control register 2 (USARTx_CR2) | 469 |
| | 22.7.3 | Control register 3 (USARTx_CR3) | 473 |
| | 22.7.4 | Baud rate register (USARTx_BRR) | 477 |
| | 22.7.5 | Guard Time and prescaler register (USARTx_GTPR) | 478 |
| | 22.7.6 | Receiver timeout register (USARTx_RTOR) | 479 |
| | 22.7.7 | Request register (USARTx_RQR) | 480 |
| | 22.7.8 | Interrupt and status register (USARTx_ISR) | 481 |
| | 22.7.9 | Interrupt flag clear register (USART_ICR) | 486 |
| | 22.7.10 | Receive data register (USART_RDR) | 488 |
| | 22.7.11 | Transmit data register (USART_TDR) | 489 |
| | 22.7.12 | Prescaler register (USARTx_PRESC) | 490 |
| | 22.7.13 | USART register map | 491 |
| 23 | | Universal Asynchronous Receiver Transmitter (LPUART) | 494 |
| 23.1 | | LPUART introduction | 494 |
| 23.2 | | LPUART main features | 494 |
| 23.3 | | LPUART functional description | 495 |
| | 23.3.1 | LPUART character description | 497 |
| | 23.3.2 | FIFOs and thresholds | 498 |
| | 23.3.3 | Transmitter | 499 |
| | 23.3.4 | Receiver | 502 |
| | 23.3.5 | Baud rate generation | 504 |
| | 23.3.6 | Multiprocessor communication | 505 |
| | 23.3.7 | Parity control | 507 |
| | 23.3.8 | Single-wire half-duplex communication | 507 |
| | 23.3.9 | Continuous communication using DMA | 508 |
| | 23.3.10 | RS232 hardware flow control and RS485 driver enable | 510 |
| | 23.3.11 | Wakeup from Deepstop mode | 512 |
| 23.4 | | LPUART interrupts | 513 |
| 23.5 | | LPUART registers | 514 |
| | 23.5.1 | Control register 1 (LPUART_CR1) | 514 |
| | 23.5.2 | Control register 2 (LPUART_CR2) | 517 |

| | | |
|-----------|---|------------|
| 23.5.3 | Control register 3 (LPUART_CR3) | 519 |
| 23.5.4 | Baud rate register (LPUART_BRR) | 522 |
| 23.5.5 | Request register (LPUART_RQR) | 522 |
| 23.5.6 | Interrupt and status register (LPUART_ISR) | 523 |
| 23.5.7 | Interrupt flag clear register (LPUART_ICR) | 527 |
| 23.5.8 | Receive data register (LPUART_RDR) | 527 |
| 23.5.9 | Transmit data register (LPUART_TDR) | 528 |
| 23.5.10 | Prescaler register (LPUART_PRESC) | 529 |
| 23.5.11 | LPUART register map | 530 |
| 24 | Serial peripheral interface / inter-IC sound (SPI/I2S) | 533 |
| 24.1 | Introduction | 533 |
| 24.2 | SPI main features | 533 |
| 24.3 | I2S main features | 533 |
| 24.4 | SPI/I2S implementation | 534 |
| 24.5 | SPI functional description | 534 |
| 24.5.1 | General description | 534 |
| 24.5.2 | Communications between one master and one slave | 535 |
| 24.5.3 | Standard multi-slave communication | 537 |
| 24.5.4 | Slave select (NSS) pin management | 538 |
| 24.5.5 | Communication formats | 539 |
| 24.5.6 | Configuration of SPI | 541 |
| 24.5.7 | Procedure to enable SPI | 542 |
| 24.5.8 | Data transmission and reception procedures | 542 |
| 24.5.9 | SPI status flags | 549 |
| 24.5.10 | SPI error flags | 550 |
| 24.5.11 | NSS pulse mode | 551 |
| 24.5.12 | TI mode | 551 |
| 24.5.13 | CRC calculation | 552 |
| 24.6 | SPI interrupts | 553 |
| 24.7 | I2S functional description | 553 |
| 24.7.1 | I2S general description | 553 |
| 24.7.2 | Supported audio protocols | 555 |
| 24.7.3 | Clock generator | 560 |
| 24.7.4 | I2S master mode | 564 |
| 24.7.5 | I2S slave mode | 566 |
| 24.7.6 | I2S error flags | 567 |
| 24.7.7 | DMA features | 567 |

| | | |
|----------------|--|------------|
| 24.8 | I2S interrupts | 567 |
| 24.9 | SPI and I ² S registers | 568 |
| 24.9.1 | SPI control register 1 (SPIx_CR1)..... | 568 |
| 24.9.2 | SPI control register 2 (SPIx_CR2)..... | 571 |
| 24.9.3 | SPI status register (SPIx_SR)..... | 573 |
| 24.9.4 | SPI data register (SPIx_DR)..... | 575 |
| 24.9.5 | SPI CRC polynomial register (SPIx_CRCPR)..... | 576 |
| 24.9.6 | SPI Rx CRC register (SPIx_RXCRCR)..... | 577 |
| 24.9.7 | SPI Tx CRC register (SPIx_TXCRCR)..... | 578 |
| 24.9.8 | SPIx_I2S configuration register (SPIx_I2SCFGR)..... | 579 |
| 24.9.9 | SPIx_I2S prescaler register (SPIx_I2SPR)..... | 581 |
| 24.9.10 | SPI/I2S register map..... | 582 |
| 25 | Radio IP | 584 |
| 25.1 | Overview | 584 |
| 25.1.1 | Architecture overview of the MR_BLE IP..... | 584 |
| 25.1.2 | Global scenario for Bluetooth® Low Energy protocol usage | 585 |
| 25.1.3 | Miscellaneous features: RF activity monitoring | 586 |
| 25.1.4 | Bluetooth® Low Energy standard 5.1 additional support | 586 |
| 25.2 | Interfacing with the MR_BLE IP..... | 587 |
| 25.2.1 | Interruption lines to the CPU..... | 587 |
| 25.2.2 | Interface with the RAM embedded in the SoC..... | 588 |
| 25.2.3 | Interface with the power clock and reset controllers | 588 |
| 25.3 | Warning for users | 589 |
| 25.4 | Radio resource manager (RRM)..... | 589 |
| 25.4.1 | Semaphore | 590 |
| 25.4.2 | UDRA | 590 |
| 25.4.3 | Direct register access | 593 |
| 25.4.4 | RRM registers | 593 |
| 25.5 | Radio registers | 597 |
| 25.5.1 | Radio register list | 597 |
| 25.5.2 | Radio registers description | 600 |
| 25.5.3 | Trimming information..... | 610 |
| 25.6 | Radio FSM..... | 610 |
| 25.6.1 | Radio FSM sequences | 610 |
| 25.6.2 | Radio FSM states overview..... | 612 |
| 25.6.3 | Radio FSM interrupts | 614 |
| 25.7 | Radio controller | 614 |

| | | |
|-------------|--|------------|
| 25.7.1 | Slow clock measurement | 614 |
| 25.7.2 | Radio FSM interrupt management | 614 |
| 25.7.3 | Radio controller registers | 615 |
| 25.8 | IP_BLE | 617 |
| 25.8.1 | Overview | 617 |
| 25.8.2 | Bluetooth LE link layer Sequencer | 617 |
| 25.8.3 | IP_BLE interrupts | 628 |
| 25.8.4 | IP_BLE RAM tables | 629 |
| 25.8.5 | Complementary information | 655 |
| 25.8.6 | Angle of arrival (AoA) and angle of departure (AoD) | 661 |
| 25.8.7 | AES | 667 |
| 25.8.8 | MSB first feature | 668 |
| 25.8.9 | IP_BLE registers | 669 |
| 25.9 | Wakeup block | 680 |
| 25.9.1 | Time features management | 680 |
| 25.9.2 | Sleep feature management | 681 |
| 25.9.3 | Wakeup management | 681 |
| 25.9.4 | CPU wakeup management | 682 |
| 25.9.5 | wakeup block registers | 682 |
| 26 | Debug support (DBG) | 686 |
| 26.1 | SWD debug features | 686 |
| 27 | Device electronic signature (DESIG) | 687 |
| 27.1 | DESIG registers | 687 |
| 27.1.1 | DESIG ADC trimming max diff (DESIG_ADCMAXDIFF) | 687 |
| 27.1.2 | DESIG ADC trimming max negative (DESIG_ADCMAXNEG) | 687 |
| 27.1.3 | DESIG ADC trimming max positive (DESIG_ADCMAXPOS) | 688 |
| 27.1.4 | DESIG ADC trimming mean diff (DESIG_ADCMEANDIFF) | 688 |
| 27.1.5 | DESIG ADC trimming mean negative (DESIG_ADCMEANNEG) | 689 |
| 27.1.6 | DESIG ADC trimming max positive (DESIG_ADCMEANPOS) | 689 |
| 27.1.7 | DESIG ADC trimming min diff (DESIG_ADCMINDIFF) | 690 |
| 27.1.8 | DESIG ADC trimming min negative (DESIG_ADCMINNEG) | 690 |
| 27.1.9 | DESIG ADC trimming min positive (DESIG_ADCMINPOS) | 691 |
| 27.1.10 | DESIG reference temperature register (DESIG_TSREFR) | 691 |
| 27.1.11 | DESIG temperature calibration register (DESIG_TSCAL1R) | 692 |
| 27.1.12 | DESIG package data register (DESIG_PKGR) | 692 |
| 27.1.13 | DESIG 64-bit unique device identifier register 1 (DESIG_UID64R1) | 693 |
| 27.1.14 | DESIG 64-bit unique device identifier register 2 (DESIG_UID64R2) | 693 |
| 27.1.15 | DESIG register map | 694 |



Important security notice 696

Revision history 697

List of tables

| | | |
|------------------|--|-----|
| Table 1. | List of abbreviations for registers | 2 |
| Table 2. | Acronyms | 3 |
| Table 3. | STM32WB05xZ memory map and peripheral register boundary addresses | 9 |
| Table 4. | SRAM0 reserved locations | 10 |
| Table 5. | Address remapping depending on REMAP bit | 10 |
| Table 6. | Interrupt vectors. | 12 |
| Table 7. | GPIO alternate options AF0, AF1 and AF2 modes | 17 |
| Table 8. | GPIOs AF3, AF4 and AF6 modes | 18 |
| Table 9. | I/O analog feature mapping | 19 |
| Table 10. | I/O additional function mapping | 19 |
| Table 11. | SMPS BOM information | 28 |
| Table 12. | PWRC register map | 52 |
| Table 13. | Flags versus CPU reboot reason | 56 |
| Table 14. | Wakeup reason flags | 56 |
| Table 15. | CPU versus MR_BLE clock dependency. | 62 |
| Table 16. | RCC register map and reset values | 84 |
| Table 17. | Port bit configuration | 95 |
| Table 18. | GPIO register map and reset values. | 113 |
| Table 19. | SYSCFG register map and reset values | 133 |
| Table 20. | Flash memory section address | 136 |
| Table 21. | Flash APB registers | 137 |
| Table 22. | Command list available for customer | 138 |
| Table 23. | Flash size information. | 143 |
| Table 24. | System memory protection | 151 |
| Table 25. | Programmable data width and endian behavior (when PINC=MINC=1 and NDT=4) | 155 |
| Table 26. | DMA interrupt requests. | 156 |
| Table 27. | DMA register map and reset values | 164 |
| Table 28. | DMAMUX instantiation | 169 |
| Table 29. | DMAMUX map | 170 |
| Table 30. | DMAMUX register map and reset values. | 173 |
| Table 31. | Calibration points. | 179 |
| Table 32. | ADC interrupt requests | 180 |
| Table 33. | ADC mode summary | 180 |
| Table 34. | ADC register map and reset values | 197 |
| Table 35. | Operating modes. | 206 |
| Table 36. | Montgomery parameter input data | 207 |
| Table 37. | Montgomery parameter output data | 207 |
| Table 38. | Modular exponentiation input data | 208 |
| Table 39. | Modular exponentiation output data | 208 |
| Table 40. | ECC scalar multiplication input data | 209 |
| Table 41. | ECC scalar multiplication output data | 209 |
| Table 42. | Point check input data | 210 |
| Table 43. | Point check output data | 210 |
| Table 44. | ECDSA sign input data | 211 |
| Table 45. | ECDSA sign output data | 211 |
| Table 46. | ECDSA verification input data | 212 |
| Table 47. | ECDSA verification output data | 212 |
| Table 48. | RSA CRT exponentiation input | 213 |
| Table 49. | RSA CRT exponentiation output data | 213 |
| Table 50. | Modular reduction input data | 213 |
| Table 51. | Modular reduction output data | 213 |
| Table 52. | Arithmetic addition input data | 214 |
| Table 53. | Arithmetic addition output data | 214 |

| | | |
|-------------------|---|-----|
| Table 54. | Arithmetic subtraction input data | 215 |
| Table 55. | Arithmetic subtraction output data | 215 |
| Table 56. | Comparison input data | 216 |
| Table 57. | Comparison output data | 216 |
| Table 58. | Arithmetic multiplication input data | 216 |
| Table 59. | Arithmetic multiplication output data | 216 |
| Table 60. | Modular addition input data | 217 |
| Table 61. | Modular addition output data | 217 |
| Table 62. | Modular inversion input data | 217 |
| Table 63. | Modular inversion output data | 217 |
| Table 64. | Modular subtraction input data | 218 |
| Table 65. | Modular subtraction output data | 218 |
| Table 66. | Montgomery multiplication input data | 218 |
| Table 67. | Montgomery multiplication output data | 218 |
| Table 68. | Modular exponentiation | 219 |
| Table 69. | ECC scalar multiplication | 219 |
| Table 70. | ECDSA signature average computation time | 219 |
| Table 71. | ECDSA verification average computation times | 219 |
| Table 72. | Montgomery parameters average computation times | 220 |
| Table 73. | PKA interrupt requests | 221 |
| Table 74. | PKA register map. | 227 |
| Table 75. | RNG register map and reset values | 231 |
| Table 76. | CRC register map and reset values. | 237 |
| Table 77. | Counting direction versus encodersignals | 264 |
| Table 78. | Output control bits for OCx channels | 283 |
| Table 79. | TIM2 register map and reset values | 289 |
| Table 80. | Break protection disarming conditions. | 310 |
| Table 81. | Output control bits for complementary OCx and OCxN channels with break feature | 324 |
| Table 82. | TIM2 register map and reset values | 339 |
| Table 83. | RTC register map and reset values | 366 |
| Table 84. | IWDG register map | 375 |
| Table 85. | STM32WB05xZ I ² C implementation | 378 |
| Table 86. | I ² C-SMBUS specification data setup and hold times | 382 |
| Table 87. | I ² C configurable table | 385 |
| Table 88. | I ² C-SMBUS specification clock timings | 393 |
| Table 89. | Examples of timings settings for $f_{I2CCLK} = 16$ MHz | 401 |
| Table 90. | SMBus timeout specifications | 402 |
| Table 91. | SMBUS with PEC configuration | 404 |
| Table 92. | Examples of TIMEOUTA settings (max. $t_{TIMEOUT} = 25$ ms) | 405 |
| Table 93. | Example of TIMEOUTB settings. | 405 |
| Table 94. | Examples of TIMEOUTA settings (max. $t_{IDLE} = 50$ μ s) | 405 |
| Table 95. | I ² C interrupt requests | 412 |
| Table 96. | I ² C register map | 430 |
| Table 97. | USART/LPUART features | 434 |
| Table 98. | Noise detection from sampled data | 444 |
| Table 99. | Tolerance of the USART receiver when BRR [3:0] = 0000 (high-density devices) | 446 |
| Table 100. | Tolerance of the USART receiver when BRR[3:0] is different from 0000 (high-density devices) | 446 |
| Table 101. | Frame formats. | 450 |
| Table 102. | USART interrupt requests | 465 |
| Table 103. | USART register map | 491 |
| Table 104. | Error calculation for programmed baud rates at $f_{ck}=32.768$ KHz. | 504 |
| Table 105. | Error calculation for programmed baudrates at $f_{ck}=16$ MHz | 505 |
| Table 106. | Frame formats. | 507 |
| Table 107. | LPUART interrupts. | 513 |

| | | |
|-------------------|---|-----|
| Table 108. | LPUART register map and reset values | 530 |
| Table 109. | STM32WB05xZ SPI implementation. | 534 |
| Table 110. | SPI interrupts requests | 553 |
| Table 111. | Audio frequency precision using I2SCLK = 64 MHz | 562 |
| Table 112. | Audio frequency precision using I2SCLK = 32 MHz | 562 |
| Table 113. | Audio frequency precision using I2SCLK = 16 MHz | 564 |
| Table 114. | I ² S interrupt request | 567 |
| Table 115. | Interruption summary | 587 |
| Table 116. | Command start list details | 591 |
| Table 117. | UDRA command format in RAM. | 592 |
| Table 118. | RRM registers list | 593 |
| Table 119. | UDRA_CTRL0 register description | 594 |
| Table 120. | UDRA_IRQ_ENABLE register description | 594 |
| Table 121. | UDRA_IRQ_STATUS register description | 594 |
| Table 122. | UDRA_RADIO_CFG_PTR register description | 594 |
| Table 123. | SEMA_IRQ_ENABLE register description | 594 |
| Table 124. | SEMA_IRQ_STATUS register description | 595 |
| Table 125. | BLE_IRQ_ENABLE register description | 595 |
| Table 126. | BLE_IRQ_STATUS register description. | 595 |
| Table 127. | VP_CPU_CMD_BUS register description | 596 |
| Table 128. | VP_CPU_SEMA_BUS register description | 596 |
| Table 129. | VP_CPU_IRQ_ENABLE register description | 596 |
| Table 130. | VP_CPU_IRQ_STATUS register description | 597 |
| Table 131. | Radio register list. | 598 |
| Table 132. | AA0_DIG_USR register description | 600 |
| Table 133. | AA1_DIG_USR register description | 600 |
| Table 134. | AA2_DIG_USR register description | 600 |
| Table 135. | AA3_DIG_USR register description | 600 |
| Table 136. | DEM_MOD_DIG_USR register description | 600 |
| Table 137. | RADIO_FSM_USR register description. | 601 |
| Table 138. | PHYCTRL_DIG_USR register description. | 601 |
| Table 139. | AFC1_DIG_ENG register description | 601 |
| Table 140. | CR0_DIG_ENG register description | 601 |
| Table 141. | CR0_LR register description | 602 |
| Table 142. | VIT_CONF_DIG_ENG register description | 602 |
| Table 143. | LR_PD_THR_DIG_ENG register description | 602 |
| Table 144. | LR_RSSI_THR_DIG_ENG register description | 602 |
| Table 145. | LR_AAC_THR_DIG_ENG register description. | 602 |
| Table 146. | SYNTHCAL0_DIG_ENG register description. | 603 |
| Table 147. | DTB5_DIG_ENG register description | 603 |
| Table 148. | RXADC_ANA_USR register description | 603 |
| Table 149. | LDO_ANA_ENG register description | 604 |
| Table 150. | CBIAS0_ANA_ENG register description | 604 |
| Table 151. | CBIAS1_ANA_ENG register description | 604 |
| Table 152. | SYNTHCAL0_DIG_OUT register description | 604 |
| Table 153. | SYNTHCAL1_DIG_OUT register description | 604 |
| Table 154. | SYNTHCAL2_DIG_OUT register description | 604 |
| Table 155. | SYNTHCAL3_DIG_OUT register description | 605 |
| Table 156. | SYNTHCAL4_DIG_OUT register description | 605 |
| Table 157. | . SYNTHCAL5_DIG_OUT register description | 605 |
| Table 158. | FSM_STATUS_DIG_OUT register description | 606 |
| Table 159. | RSSI0_DIG_OUT register description. | 606 |
| Table 160. | RSSI1_DIG_OUT register description. | 606 |
| Table 161. | AGC_DIG_OUT register description | 606 |
| Table 162. | DEMOD_DIG_OUT register description | 607 |

| | | |
|-------------------|---|-----|
| Table 163. | AGC2_ANA_TST register description | 607 |
| Table 164. | AGC0_DIG_ENG register description | 607 |
| Table 165. | AGC1_DIG_ENG register description | 607 |
| Table 166. | AGC10_DIG_ENG register description | 607 |
| Table 167. | AGC11_DIG_ENG register description | 607 |
| Table 168. | AGC12_DIG_ENG register description | 608 |
| Table 169. | AGC13_DIG_ENG register description | 608 |
| Table 170. | AGC14_DIG_ENG register description | 608 |
| Table 171. | AGC15_DIG_ENG register description | 608 |
| Table 172. | AGC16_DIG_ENG register description | 608 |
| Table 173. | AGC17_DIG_ENG register description | 608 |
| Table 174. | AGC18_DIG_ENG register description | 608 |
| Table 175. | AGC19_DIG_ENG register description | 608 |
| Table 176. | RXADC_HW_TRIM_OUT register description | 609 |
| Table 177. | CBIAS0_HW_TRIM_OUT register description | 609 |
| Table 178. | AGC_HW_TRIM_OUT register description | 609 |
| Table 179. | ANTSW0_DIG_USR register description | 609 |
| Table 180. | ANTSW1_DIG_USR register description | 609 |
| Table 181. | ANTSW2_DIG_USR register description | 609 |
| Table 182. | ANTSW3_DIG_USR register description | 610 |
| Table 183. | Radio FSM states summary (including exit conditions and timings) | 613 |
| Table 184. | ACTIVE2 to Tx or Rx state duration | 613 |
| Table 185. | Radio Controller registers list | 615 |
| Table 186. | RADIO_CONTROL_ID register description | 615 |
| Table 187. | CLK32COUNT_REG register description | 615 |
| Table 188. | CLK32PERIOD_REG register description | 616 |
| Table 189. | CLK32FREQUENCY_REG register description | 616 |
| Table 190. | RADIO_CONTROL_IRQ_STATUS register description | 616 |
| Table 191. | RADIO_CONTROL_IRQ_ENABLE register description | 617 |
| Table 192. | Summary of flags and RAM table pointers behavior versus Tx Skip command | 627 |
| Table 193. | Summary of flags and RAM table pointers behavior versus Rx Skip command | 627 |
| Table 194. | GlobalStatMach RAM table | 631 |
| Table 195. | GlobalStatMach RAM table register list | 633 |
| Table 196. | GlobalStatMach.WORD0 register description | 633 |
| Table 197. | GlobalStatMach.WORD1 register description | 633 |
| Table 198. | GlobalStatMach.WORD2 register description | 634 |
| Table 199. | GlobalStatMach.WORD3 register description | 635 |
| Table 200. | GlobalStatMach.WORD4 register description | 635 |
| Table 201. | GlobalStatMach.WORD5 register description | 636 |
| Table 202. | GlobalStatMach.WORD6 register description | 637 |
| Table 203. | StatMach RAM table | 638 |
| Table 204. | StatMach RAM table register list | 640 |
| Table 205. | StatMach.WORD0 register description | 641 |
| Table 206. | StatMach.WORD1 register description | 643 |
| Table 207. | StatMach.WORD2 register description | 643 |
| Table 208. | StatMach.WORD3 register description | 643 |
| Table 209. | StatMach.WORD4 register description | 644 |
| Table 210. | StatMach.WORD5 register description | 644 |
| Table 211. | StatMach.WORD6 register description | 644 |
| Table 212. | StatMach.WORD7 register description | 644 |
| Table 213. | StatMach.WORD8 register description | 645 |
| Table 214. | StatMach.WORD9 register description | 646 |
| Table 215. | StatMach.WORDA register description | 646 |
| Table 216. | StatMach.WORDB register description | 647 |
| Table 217. | StatMach.WORDC register description | 647 |

| | | |
|-------------------|--|-----|
| Table 218. | StatMach.WORDD register description | 647 |
| Table 219. | StatMach.WORDE register description | 647 |
| Table 220. | StatMach.WORDF register description | 648 |
| Table 221. | StatMach.WORD10 register description | 648 |
| Table 222. | StatMach.WORD11 register description | 648 |
| Table 223. | StatMach.WORD12 register description | 648 |
| Table 224. | StatMach.WORD13 register description | 648 |
| Table 225. | StatMach.WORD14 register description | 648 |
| Table 226. | StatMach.WORD15 register description | 649 |
| Table 227. | StatMach.WORD16 register description | 649 |
| Table 228. | StatMach.PaPower values | 650 |
| Table 229. | TxRxPack RAM table | 651 |
| Table 230. | TxRxPack | 652 |
| Table 231. | TxRxPack.WORD0 register description | 652 |
| Table 232. | TxRxPack.WORD1 register description | 652 |
| Table 233. | TxRxPack.WORD2 register description | 654 |
| Table 234. | TxRxPack.WORD3 register description | 654 |
| Table 235. | Truth table to select the correct algorithm | 657 |
| Table 236. | RAM table bit fields usage versus algorithm number | 658 |
| Table 237. | Transmission sequence | 658 |
| Table 238. | Reception sequence. | 659 |
| Table 239. | Delays for Sequencer 2 nd INIT step proposal. | 660 |
| Table 240. | Behavior versus CTEDisable and CTEAndSampling bits value | 663 |
| Table 241. | IP_BLE controller registers list | 670 |
| Table 242. | INTERRUPT 1REG register description | 670 |
| Table 243. | INTERRUPT2REG register description | 672 |
| Table 244. | TIMEOUTDESTREG register description | 673 |
| Table 245. | TIMEOUTREG register description | 673 |
| Table 246. | TIMERCAPTUREREG register description | 673 |
| Table 247. | CMDREG register description | 673 |
| Table 248. | STATUSREG register description | 674 |
| Table 249. | INTERRUPT1ENBLEREG register description | 676 |
| Table 250. | INTERRUPT1LATENCYREG register description. | 677 |
| Table 251. | MANAESKEY0REG register description | 677 |
| Table 252. | MANAESKEY1REG register description | 677 |
| Table 253. | MANAESKEY2REG register description | 677 |
| Table 254. | MANAESKEY3REG register description | 677 |
| Table 255. | MANAESCLEARTEXT0REG register description | 677 |
| Table 256. | MANAESCLEARTEXT1REG register description | 677 |
| Table 257. | MANAESCLEARTEXT2REG register description | 677 |
| Table 258. | MANAESCLEARTEXT3REG register description | 678 |
| Table 259. | MANAESCHIPHERTEXT0REG register description | 678 |
| Table 260. | MANAESCHIPHERTEXT1REG register description | 678 |
| Table 261. | MANAESCHIPHERTEXT2REG register description | 678 |
| Table 262. | MANAESCHIPHERTEXT3REG register description | 678 |
| Table 263. | MANAESCMDREG register description | 678 |
| Table 264. | MANAESSTATREG register description | 678 |
| Table 265. | AESLEPRIVPOINTERREG register description | 678 |
| Table 266. | AESLEPRIVHASHREG register description | 678 |
| Table 267. | AESLEPRIVPRANDREG register description | 679 |
| Table 268. | AESLEPRIVCMDREG register description | 679 |
| Table 269. | AESLEPRIVSTATREG register description | 679 |
| Table 270. | STATUS2REG register description | 679 |
| Table 271. | wakeup block register list | 682 |
| Table 272. | WAKEUP_OFFSET register description | 683 |

| | |
|--|-----|
| Table 273. ABSOLUTE_TIME register description | 683 |
| Table 274. MINIMUM_PERIOD_LENGTH register description | 683 |
| Table 275. AVERAGE_PERIOD_LENGTH register description | 683 |
| Table 276. MAXIMUM_PERIOD_LENGTH register description | 684 |
| Table 277. STATISTIC_RESTART register description | 684 |
| Table 278. BLUE_WAKEUP_TIME register description | 684 |
| Table 279. BLUE_SLEEP_REQUEST_MODE register description | 684 |
| Table 280. CM0_WAKEUP_TIME register description | 685 |
| Table 281. CM0_SLEEP_REQUEST_MODE register description | 685 |
| Table 282. WAKEUP_BLE_IRQ_ENABLE register description | 685 |
| Table 283. WAKEUP_BLE_IRQ_STATUS register description | 685 |
| Table 284. WAKEUP_CM0_IRQ_ENABLE register description | 685 |
| Table 285. WAKEUP_CM0_IRQ_STATUS register description | 685 |
| Table 286. PWRC register map | 694 |
| Table 287. Document revision history | 697 |

List of figures

| | | |
|-------------------|---|-----|
| Figure 1. | STM32WB05xZ system architecture | 6 |
| Figure 2. | Memory map | 8 |
| Figure 3. | AHB up/down converter | 14 |
| Figure 4. | Power supply domain overview | 21 |
| Figure 5. | Power-on reset/power-down reset waveform | 21 |
| Figure 6. | Power regulators and SMPS configuration in mode | 23 |
| Figure 7. | Power regulators and SMPS configuration in Deepstop mode | 25 |
| Figure 8. | Power regulators and SMPS configuration in Shutdown mode | 26 |
| Figure 9. | PWRC state machine for operating modes transition | 27 |
| Figure 10. | Power supply configuration | 28 |
| Figure 11. | PWRC SMPS state machine overview | 28 |
| Figure 12. | Reset generation | 58 |
| Figure 13. | Clock tree generation | 60 |
| Figure 14. | RCC_LCO / RCC_MCO output clocks | 63 |
| Figure 15. | Basic structure of a mixed analog/digital five-volt tolerant I/O port bit | 94 |
| Figure 16. | Basic structure of a digital only five-volt tolerant I/O port bit | 94 |
| Figure 17. | Input floating/pull-up/pull-down configurations | 98 |
| Figure 18. | Output configuration | 98 |
| Figure 19. | Alternate function configuration | 99 |
| Figure 20. | High impedance-analog configuration | 100 |
| Figure 21. | DMAMUX block diagram | 170 |
| Figure 22. | ADC top level diagram | 176 |
| Figure 23. | ADC sampling time T_{sw} and sampling period T_s | 178 |
| Figure 24. | Effect of analog source resistance | 178 |
| Figure 25. | Block diagram | 203 |
| Figure 26. | CRC calculation unit block diagram | 232 |
| Figure 27. | Advanced-control timer block diagram | 239 |
| Figure 28. | Counter timing diagram with prescaler division change from 1 to 2 | 240 |
| Figure 29. | Counter timing diagram with prescaler division change from 1 to 4 | 240 |
| Figure 30. | Counter timing diagram, internal clock divided by 1 | 241 |
| Figure 31. | Counter timing diagram, internal clock divided by 2 | 241 |
| Figure 32. | Counter timing diagram, internal clock divided by 4 | 242 |
| Figure 33. | Counter timing diagram, internal clock divided by N | 242 |
| Figure 34. | Counter timing diagram, update event when ARPE=0 (TIMx_ARR not preloaded) | 242 |
| Figure 35. | Counter timing diagram, update event when ARPE=1 (TIMx_ARR preloaded) | 243 |
| Figure 36. | Counter timing diagram, internal clock divided by 1 | 244 |
| Figure 37. | Counter timing diagram, internal clock divided by 2 | 244 |
| Figure 38. | Counter timing diagram, internal clock divided by 4 | 244 |
| Figure 39. | Counter timing diagram, internal clock divided by N | 245 |
| Figure 40. | Counter timing diagram, update event when repetition counter is not used | 245 |
| Figure 41. | Counter timing diagram, internal clock divided by 1, TIMx_ARR = 0x6 | 246 |
| Figure 42. | Counter timing diagram, internal clock divided by 2 | 246 |
| Figure 43. | Counter timing diagram, internal clock divided by 4, TIMx_ARR=0x36 | 247 |
| Figure 44. | Counter timing diagram, internal clock divided by N | 247 |
| Figure 45. | Counter timing diagram, update event with ARPE=1 (counter underflow) | 247 |
| Figure 46. | Counter timing diagram, update event with ARPE=1 (counter overflow) | 248 |
| Figure 47. | Update rate examples depending on mode and TIMx_RCR register settings | 249 |
| Figure 48. | External trigger input block | 250 |
| Figure 49. | Control circuit in normal mode, internal clock divided by 1 | 250 |
| Figure 50. | TI2 external clock connection example | 251 |
| Figure 51. | Control circuit in external clock mode 1 | 251 |
| Figure 52. | External trigger input block | 252 |
| Figure 53. | Control circuit in external clock mode 2 | 252 |

| | | |
|--------------------|---|-----|
| Figure 54. | Capture/compare channel (example: channel 1 input stage) | 253 |
| Figure 55. | Capture/compare channel 1 main circuit | 253 |
| Figure 56. | Output stage of capture/compare channel (channel 4, 3, 2 and 1) | 253 |
| Figure 57. | PWM input mode timing | 255 |
| Figure 58. | Output compare mode, toggle on OC1 | 257 |
| Figure 59. | Edge-aligned PWM waveforms (ARR=8) | 258 |
| Figure 60. | Center-aligned PWM waveforms (ARR=8) | 259 |
| Figure 61. | Generation of 2 phase-shifted PWM signals with 50% duty cycle | 260 |
| Figure 62. | Combined PWM mode on channel 1 and 3 | 261 |
| Figure 63. | Clearing TIMx OCxREF | 261 |
| Figure 64. | Example of one-pulse mode | 262 |
| Figure 65. | Retrigerrable one-pulse mode | 263 |
| Figure 66. | Example of counter operation in encoder interface mode | 265 |
| Figure 67. | Example of encoder interface mode with TI1FP1 polarity inverted | 265 |
| Figure 68. | Measuring time interval between edges on 3 signals | 266 |
| Figure 69. | TIM16 and TIM17 block diagram | 295 |
| Figure 70. | Counter timing diagram with prescaler division change from 1 to 2 | 296 |
| Figure 71. | Counter timing diagram with prescaler division change from 1 to 4 | 297 |
| Figure 72. | Counter timing diagram, internal clock divided by 1 | 298 |
| Figure 73. | Counter timing diagram, internal clock divided by 2 | 298 |
| Figure 74. | Counter timing diagram, internal clock divided by 4 | 298 |
| Figure 75. | Counter timing diagram, internal clock divided by N | 299 |
| Figure 76. | Counter timing diagram, update event when ARPE=0 (TIMx_ARR not preloaded) | 299 |
| Figure 77. | Counter timing diagram, update event when ARPE=1 (TIMx_ARR preloaded) | 300 |
| Figure 78. | Update rate examples depending on mode and TIMx_RCR register settings | 301 |
| Figure 79. | Control circuit in normal mode, internal clock divided by 1 | 301 |
| Figure 80. | Capture/compare channel (example: channel 1 input stage) | 302 |
| Figure 81. | Capture/compare channel 1 main circuit | 302 |
| Figure 82. | Output stage of capture/compare channel (channel 1) | 303 |
| Figure 83. | Output compare mode, toggle on OC1 | 305 |
| Figure 84. | Edge-aligned PWM waveforms (ARR=8) | 306 |
| Figure 85. | Complementary output with deadtime insertion | 307 |
| Figure 86. | Deadtime waveforms with delay greater than the negative pulse | 307 |
| Figure 87. | Deadtime waveforms with delay greater than the positive pulse | 307 |
| Figure 88. | Various output behavior in response to a break event on BRK (OSS1 = 1) | 309 |
| Figure 89. | Output redirection | 310 |
| Figure 90. | Example of one-pulse mode | 311 |
| Figure 91. | IR internal hardware connections with TIM16 and TIM17 | 344 |
| Figure 92. | RTC block diagram | 346 |
| Figure 93. | Independent watchdog block diagram | 371 |
| Figure 94. | I ² C block diagram | 378 |
| Figure 95. | I ² C bus protocol | 380 |
| Figure 96. | Setup and hold timings | 381 |
| Figure 97. | I ² C initialization flowchart | 383 |
| Figure 98. | Data reception | 384 |
| Figure 99. | Data transmission | 384 |
| Figure 100. | Slave initialization flowchart | 387 |
| Figure 101. | Transfer sequence flowchart for I2C slave transmitter, NOSTRETCH=0 | 388 |
| Figure 102. | Transfer sequence flowchart for I2C slave transmitter, NOSTRETCH=1 | 388 |
| Figure 103. | Transfer bus diagram for I2C slave transmitter | 389 |
| Figure 104. | Transfer sequence flowchart for slave receiver with NOSTRETCH=0 | 390 |
| Figure 105. | Transfer sequence flowchart for slave receiver with NOSTRETCH=1 | 390 |
| Figure 106. | Transfer bus diagrams for I2C slave receiver | 391 |
| Figure 107. | Master clock generation | 392 |
| Figure 108. | Master initialization flowchart | 394 |

| | | |
|--------------------|--|-----|
| Figure 109. | 10-bit address read access with HEAD10R=1. | 394 |
| Figure 110. | Transfer sequence flowchart for I2C master transmitter for N < 255 bytes | 395 |
| Figure 111. | Transfer sequence flowchart for I2C master transmitter for N > 255 bytes | 396 |
| Figure 112. | Transfer bus diagrams for I2C master transmitter | 397 |
| Figure 113. | Transfer sequence flowchart for I ² C master receiver for N > 255 bytes | 398 |
| Figure 114. | Transfer sequence flowchart for I ² C master receiver for N > 255 bytes | 399 |
| Figure 115. | Transfer bus diagrams for I ² C master receiver | 400 |
| Figure 116. | Timeout intervals for t _{LOW:SEXT} , t _{LOW:MEXT} | 403 |
| Figure 117. | Transfer sequence flowchart for SMBus slave transmitter N bytes + PEC. | 406 |
| Figure 118. | Transfer bus diagrams for SMBus slave transmitter (SBC=1) | 406 |
| Figure 119. | Transfer sequence flowchart for SMBus slave receiver N bytes + PEC. | 407 |
| Figure 120. | Bus transfer diagrams for SMBus slave receiver (SBC=1) | 408 |
| Figure 121. | Bus transfer diagrams for SMBus master transmitter | 409 |
| Figure 122. | Bus transfer diagrams for SMBus master receiver. | 410 |
| Figure 123. | I ² C interrupt mapping diagram | 413 |
| Figure 124. | USART block diagram | 436 |
| Figure 125. | Word length programming | 437 |
| Figure 126. | Configurable stop bits | 438 |
| Figure 127. | TC/TXE behavior when transmitting | 440 |
| Figure 128. | Start bit detection when oversampling by 16 or 8. | 441 |
| Figure 129. | usart_ker_ck clock divider block diagram | 443 |
| Figure 130. | Data sampling when oversampling by 16 | 444 |
| Figure 131. | Data sampling when oversampling by 8 | 444 |
| Figure 132. | Mute mode using Idle line detection. | 448 |
| Figure 133. | Mute mode using address mark detection | 449 |
| Figure 134. | Break detection in LIN mode (11-bit break length - LBDL bit is set) | 451 |
| Figure 135. | Break detection in LIN mode vs. framing error detection. | 452 |
| Figure 136. | USART example of synchronous master transmission | 453 |
| Figure 137. | USART data clock timing diagram M=0 | 453 |
| Figure 138. | USART data clock timing diagram (M bits = 01) | 454 |
| Figure 139. | RX data setup/hold time. | 454 |
| Figure 140. | ISO 7816-3 asynchronous protocol | 456 |
| Figure 141. | Parity error detection using 1.5 stop bits. | 458 |
| Figure 142. | IrDA SIR ENDEC - block diagram | 461 |
| Figure 143. | IrDA data modulation (3/16) - normal mode | 461 |
| Figure 144. | Transmission using DMA | 462 |
| Figure 145. | Reception using DMA | 463 |
| Figure 146. | Hardware flow control between 2 USARTs | 463 |
| Figure 147. | RS232 RTS flow control. | 464 |
| Figure 148. | RS232 CTS flow control. | 464 |
| Figure 149. | LPUART block diagram | 496 |
| Figure 150. | LPUART word length programming | 498 |
| Figure 151. | Configurable stop bits | 500 |
| Figure 152. | TC/TXE behavior when transmitting | 501 |
| Figure 153. | lpuart_ker_ck clock divider block diagram | 503 |
| Figure 154. | Mute mode using idle line detection. | 506 |
| Figure 155. | Mute mode using address mark detection | 506 |
| Figure 156. | Transmission using DMA | 508 |
| Figure 157. | Reception using DMA | 509 |
| Figure 158. | Hardware flow control between 2 LPUARTs | 510 |
| Figure 159. | RS232 RTS flow control. | 510 |
| Figure 160. | RS232 CTS flow control. | 511 |
| Figure 161. | SPI block diagram. | 535 |
| Figure 162. | Full-duplex single master/single slave application | 536 |
| Figure 163. | Half-duplex single master/single slave application | 536 |

| | | |
|--------------------|---|-----|
| Figure 164. | Simplex single master/single slave application (master in transmit-only/slave in receive-only mode) | 537 |
| Figure 165. | Master and three independent slaves | 538 |
| Figure 166. | Hardware/software slave select management | 539 |
| Figure 167. | Data clock timing diagram | 540 |
| Figure 168. | Data alignment when data length is not equal to 8-bit or 16-bit | 541 |
| Figure 169. | Packing data in FIFO for transmission and reception | 544 |
| Figure 170. | Master full-duplex communication | 546 |
| Figure 171. | Slave full-duplex communication | 547 |
| Figure 172. | Master full-duplex communication with CRC | 548 |
| Figure 173. | Master full-duplex communication in packed mode | 549 |
| Figure 174. | NSSP pulse generation in Motorola SPI master mode | 551 |
| Figure 175. | TI mode transfer | 552 |
| Figure 176. | I ² S block diagram | 554 |
| Figure 177. | I ² S Philips protocol waveforms (16/32-bit full accuracy, CPOL = 0) | 555 |
| Figure 178. | I ² S Philips standard waveforms (24-bit frame with CPOL = 0) | 555 |
| Figure 179. | Transmitting 0x8EAA33 | 556 |
| Figure 180. | Receiving 0x8EAA33 | 556 |
| Figure 181. | I ² S Philips standard (16-bit extended to 32-bit packet frame with CPOL = 0) | 556 |
| Figure 182. | Example of 16-bit data frame extended to 32-bit channel frame | 556 |
| Figure 183. | MSB justified 16-bit or 32-bit full-accuracy length with CPOL = 0 | 557 |
| Figure 184. | MSB justified 24-bit frame length with CPOL = 0 | 557 |
| Figure 185. | MSB justified 16-bit extended to 32-bit packet frame with CPOL = 0 | 557 |
| Figure 186. | LSB justified 16-bit or 32-bit full-accuracy length with CPOL = 0 | 558 |
| Figure 187. | LSB justified 24-bit frame length with CPOL = 0 | 558 |
| Figure 188. | Operations required to transmit 0x3478AE | 558 |
| Figure 189. | Operations required to receive 0x3478AE | 559 |
| Figure 190. | LSB justified 16-bit extended to 32-bit packet frame with CPOL = 0 | 559 |
| Figure 191. | Example of 16-bit data frame extended to 32-bit channel frame (2) | 559 |
| Figure 192. | PCM standard waveforms (16-bit) | 560 |
| Figure 193. | PCM standard waveforms (16-bit extended to 32-bit packet frame) | 560 |
| Figure 194. | Audio sampling frequency definition | 561 |
| Figure 195. | I ² S clock generator architecture | 561 |
| Figure 196. | MR_BLE architecture overview | 585 |
| Figure 197. | RRM overview | 589 |
| Figure 198. | UDRA command list mapping in RAM (example) | 591 |
| Figure 199. | Radio FSM overview | 612 |
| Figure 200. | Sequencer steps overview | 620 |
| Figure 201. | Sequencer Initialization steps timings overview | 623 |
| Figure 202. | Tx sequence | 624 |
| Figure 203. | Rx sequence | 625 |
| Figure 204. | RAM table dependency overview | 630 |
| Figure 205. | Pointer management and packet counter increment algorithm | 656 |
| Figure 206. | Bluetooth LE link layer channel management overview | 657 |
| Figure 207. | Timings of an Rx sequence | 659 |
| Figure 208. | Timings of a Tx sequence | 660 |
| Figure 209. | MSBFirst feature principle overview | 669 |
| Figure 210. | IP_BLE wakeup timing contributors | 682 |

IMPORTANT NOTICE – READ CAREFULLY

STMicroelectronics NV and its subsidiaries (“ST”) reserve the right to make changes, corrections, enhancements, modifications, and improvements to ST products and/or to this document at any time without notice. Purchasers should obtain the latest relevant information on ST products before placing orders. ST products are sold pursuant to ST’s terms and conditions of sale in place at the time of order acknowledgment.

Purchasers are solely responsible for the choice, selection, and use of ST products and ST assumes no liability for application assistance or the design of purchasers’ products.

No license, express or implied, to any intellectual property right is granted by ST herein.

Resale of ST products with provisions different from the information set forth herein shall void any warranty granted by ST for such product.

ST and the ST logo are trademarks of ST. For additional information about ST trademarks, refer to www.st.com/trademarks. All other product or service names are the property of their respective owners.

Information in this document supersedes and replaces information previously supplied in any prior versions of this document.

© 2024 STMicroelectronics – All rights reserved