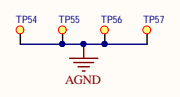
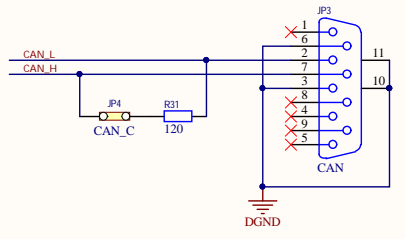
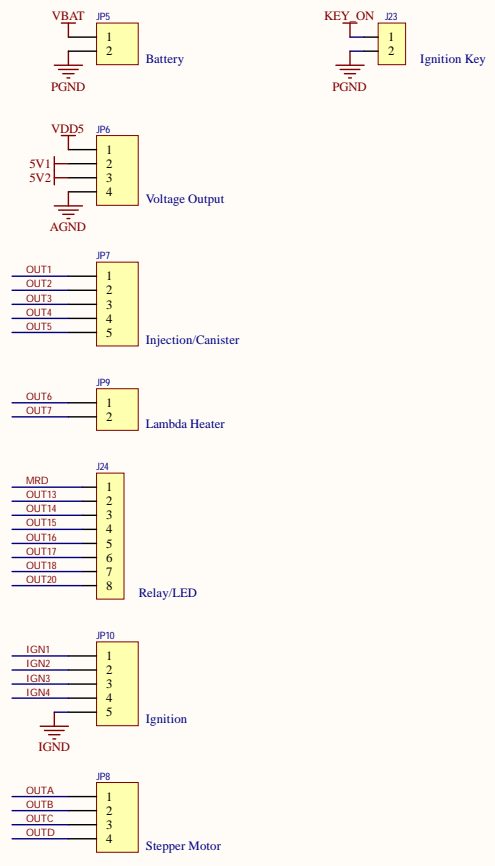
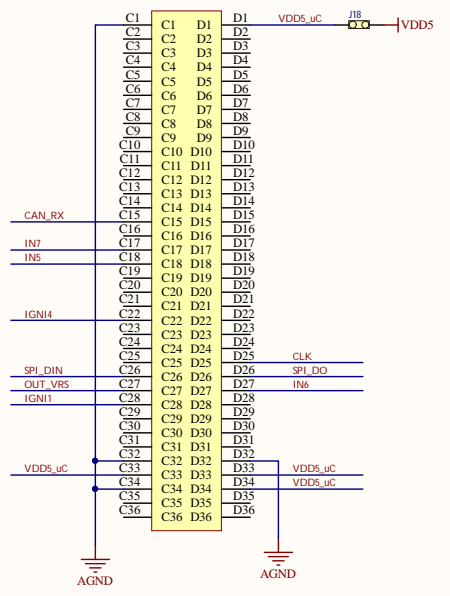
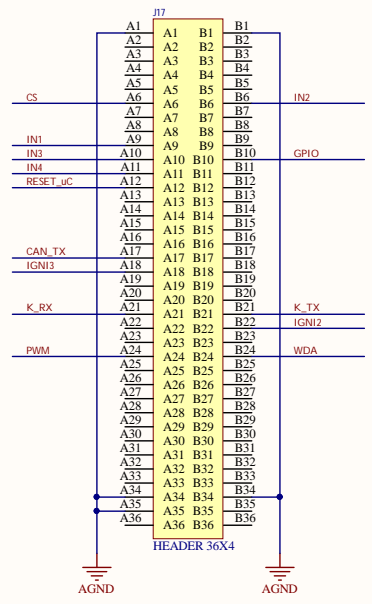
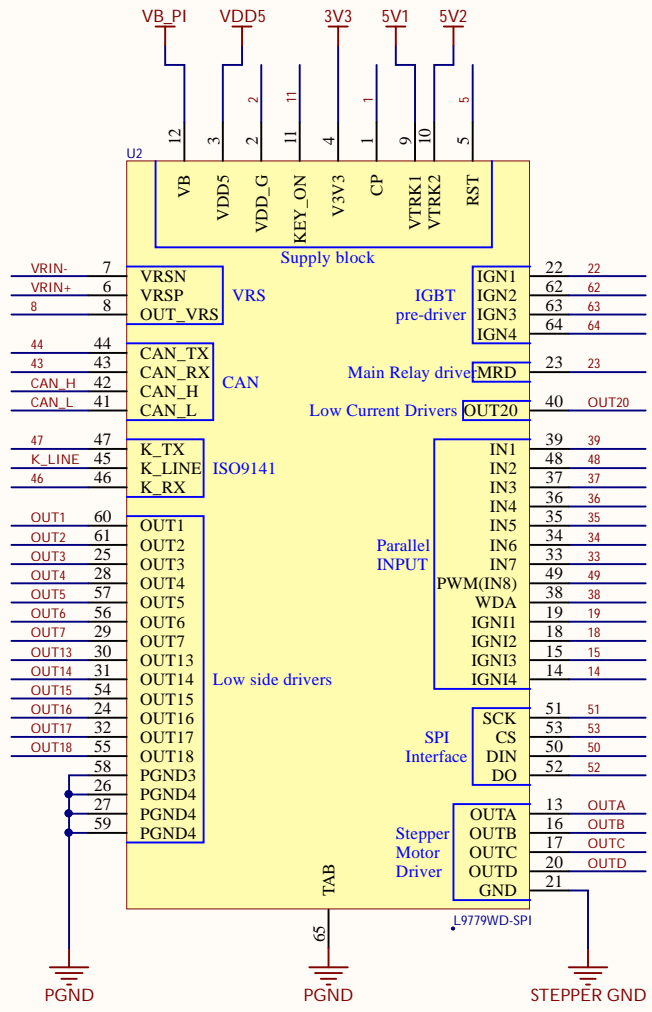


Title L9779WD-SPI EVALUATION BOARD		
Size A3	Number EVAL-L9779WD-SPI	Revision 1
Date: 30/01/2018	Sheet 1 of 3	
File: S:\ASD535 DEMO Board L9779+L9959\Drawings\PCB\	Sheet 1 of 3 Alfonso FORGIONE	



Title L9779WD-SPI EVALUATION BOARD - uC CONNECTOR		
Size A3	Number EVAL-L9779WD-SPI	Revision 1
Date: 30/01/2018	Sheet 2 of 3	
File: S:\ASD535 DEMO Board L9779+L9959\Drawings\PCB\	Alfonso FORGIONE	



Title		
L9779WD-SPI EVALUATION BOARD - DEVICE		
Size	Number	Revision
A4	EVAL-L9779WD-SPI	1
Date:	30/01/2018	Sheet 3 of 3
File:	S:\ASD535 DEMO Board L9779+L9959\Drawings\SchDoc	