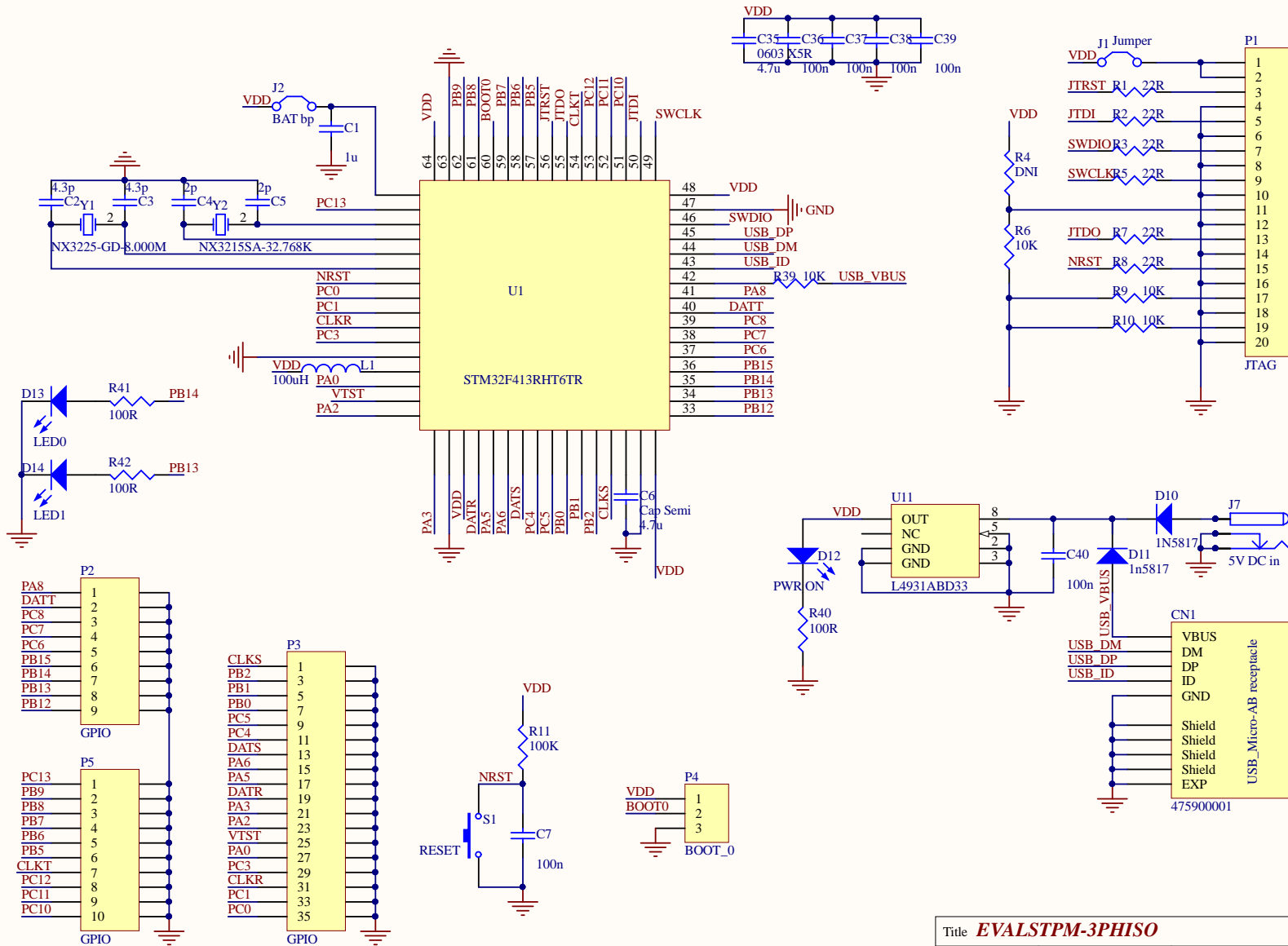


Title **EVALSTPM-3PHISO**

Size: A4 Number: Revision:1,1
Date: Time: Sheet 2 of 2
File: EVALSTPM-3PHISO STPMS2_section V1.SchDoc





Title EVALSTPM-3PHISO		
Size: A4	Number:	Revision: 1.1
Date:	Time:	Sheet 1 of 2
File: EVALSTPM-3PHISO MCU_section_V1.SchDoc		

