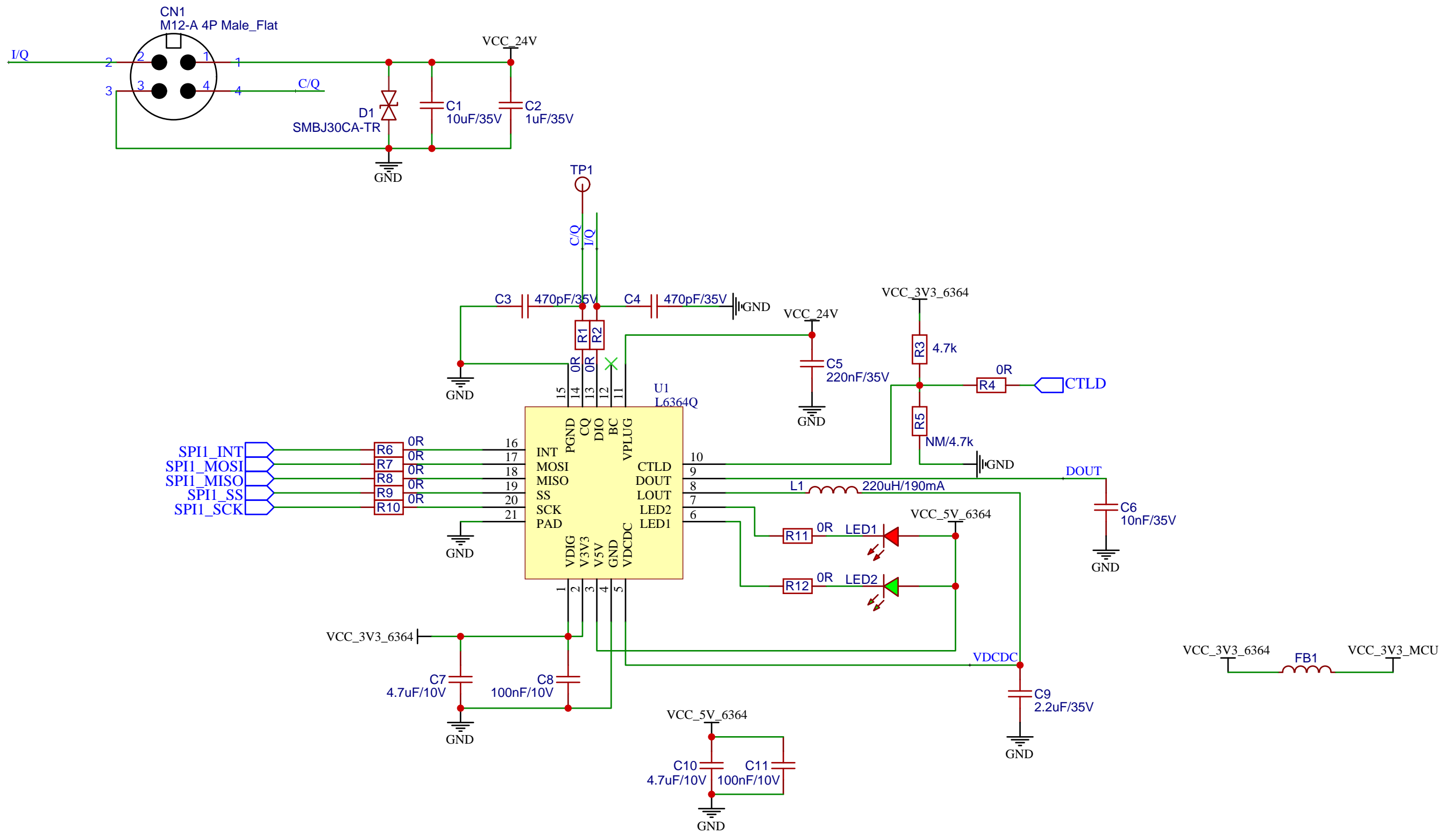


TITLE: Block diagram		REV: V1
Company: STMicroelectronics		Sheet: 1
Date: 2023-11-06		Drawn By: SteveLIANG

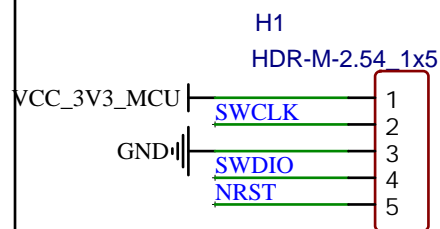




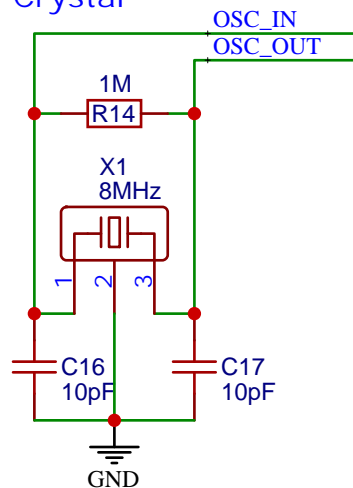
TITLE: L6364		REV: V1
Company: STMicroelectronics		Sheet: 2
Date: 2023-11-06		Drawn By: SteveLIANG



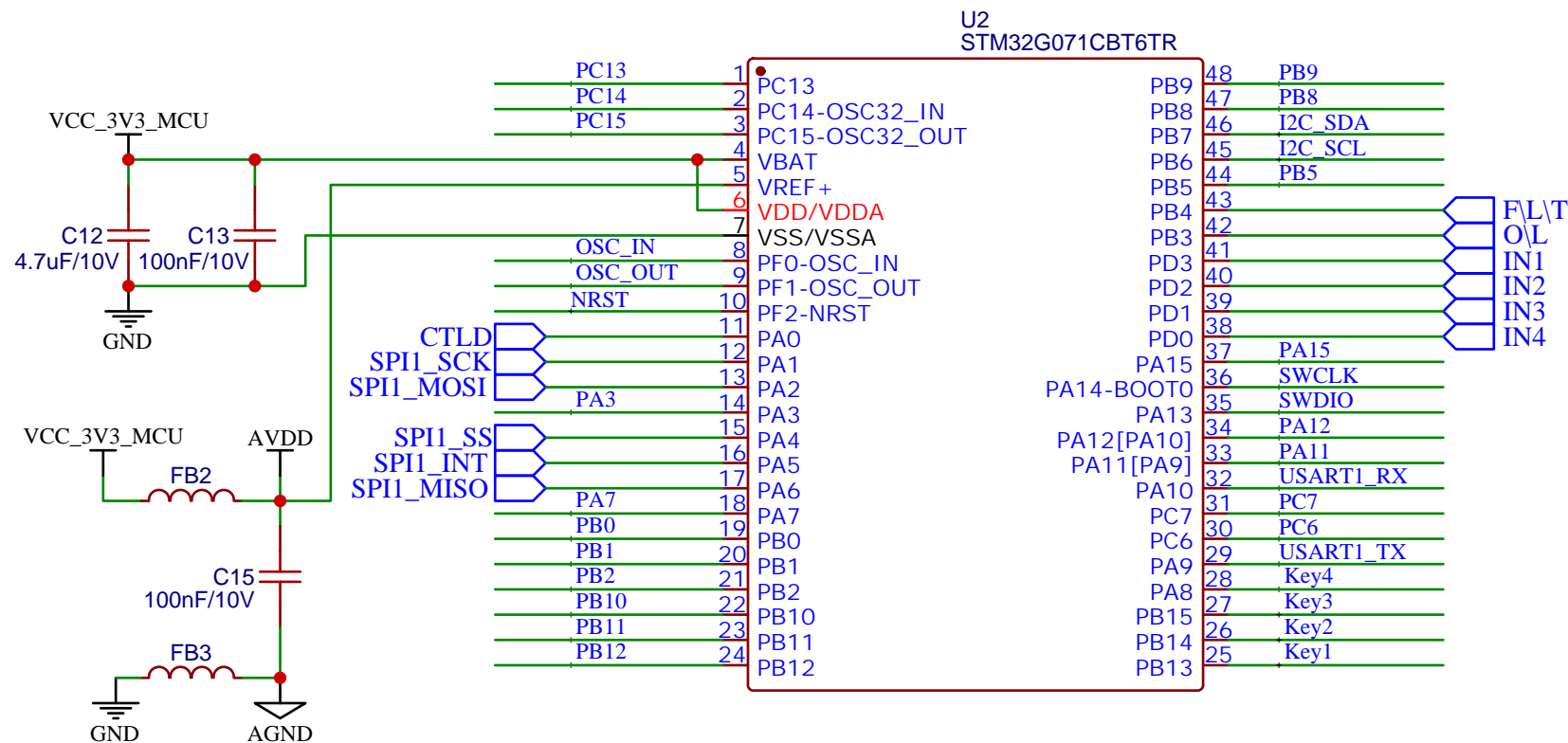
SWD Connector



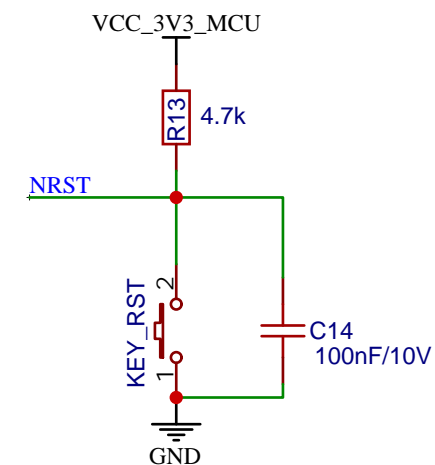
8M Crystal



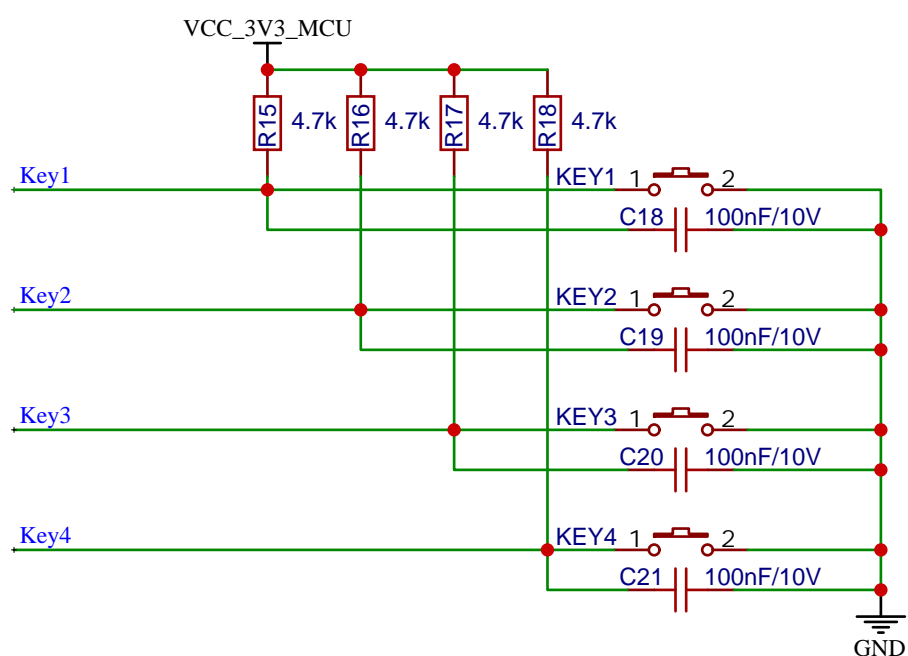
MCU



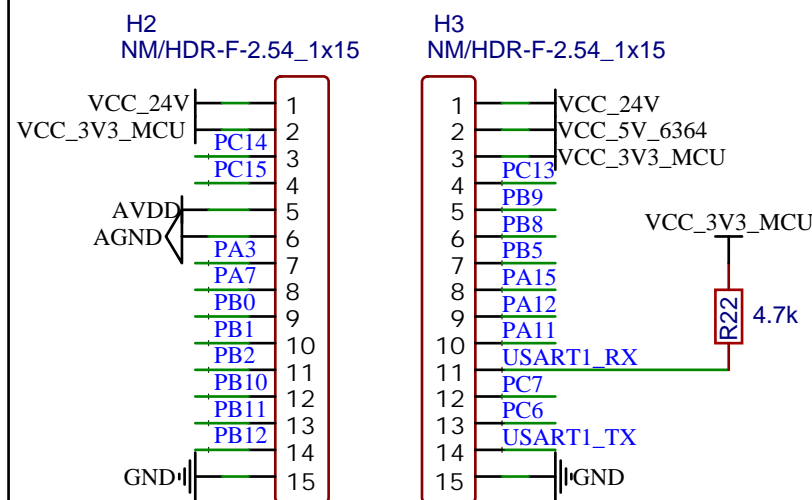
NRESET



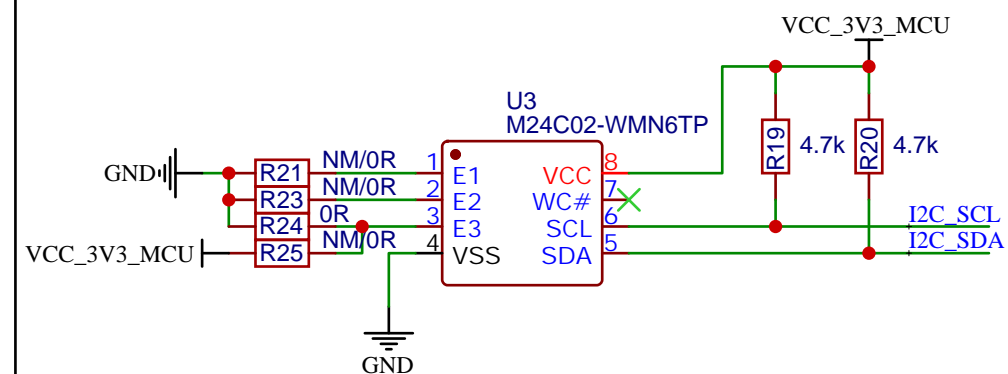
Keys



Reserved Pin



EEPROM



TITLE:

MCU

REV: V1



Company: STMicroelectronics

Sheet: 3

Date: 2023-11-06 Drawn By: SteveLIANG

