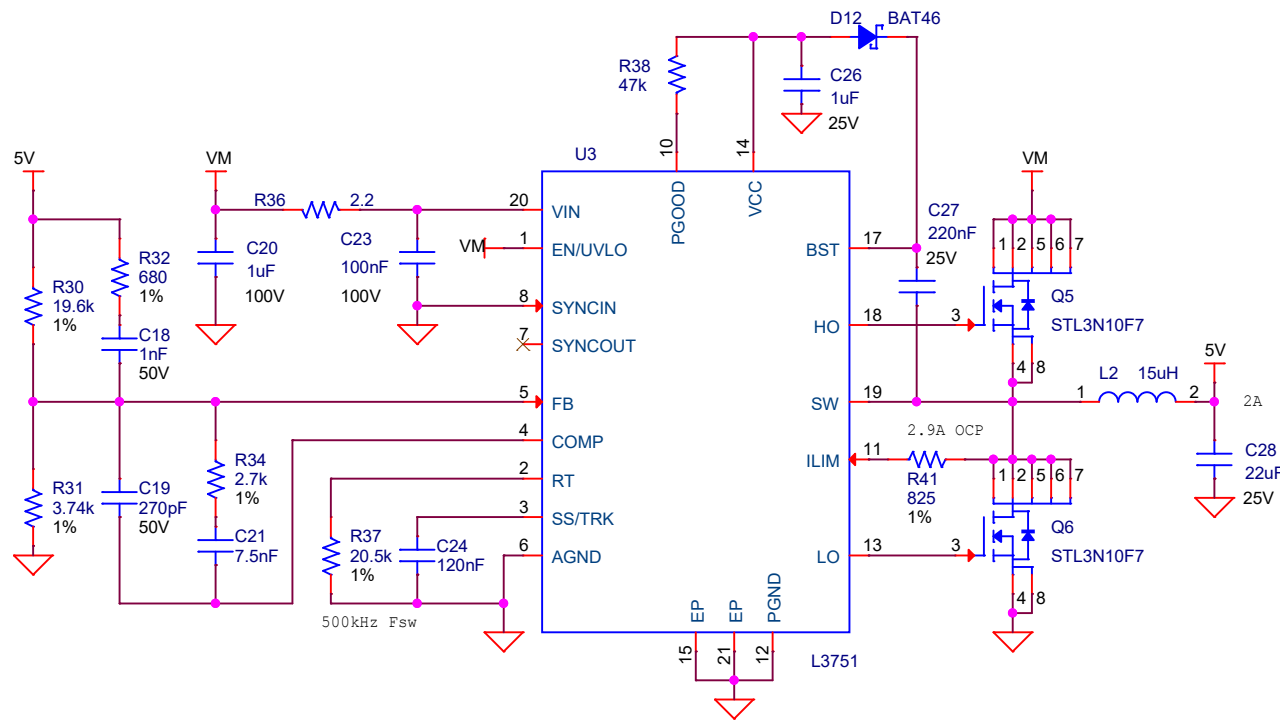
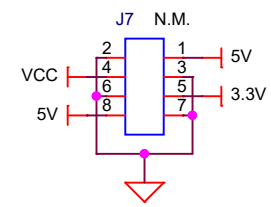
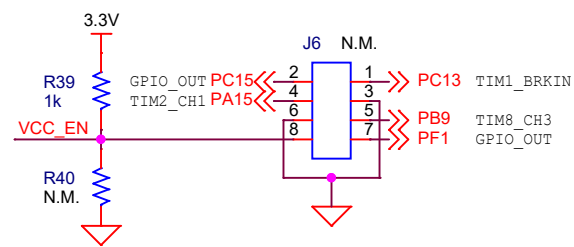
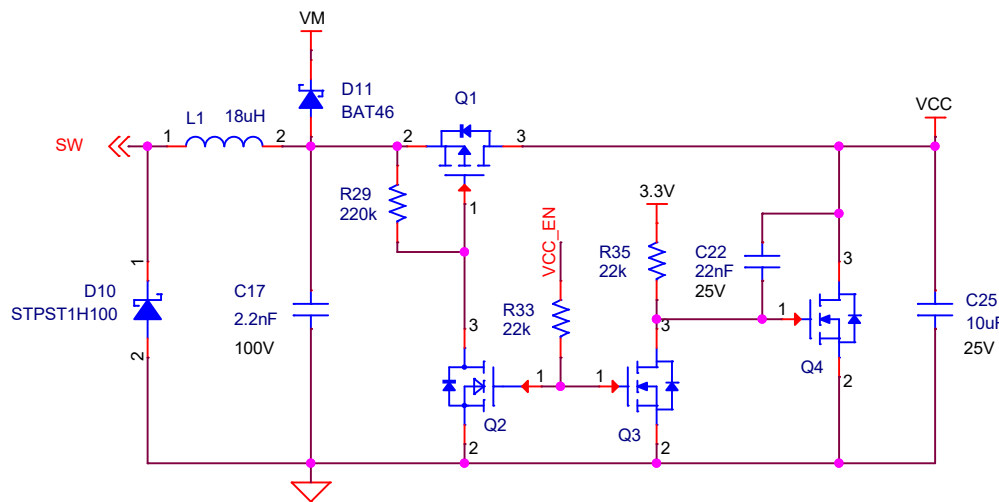

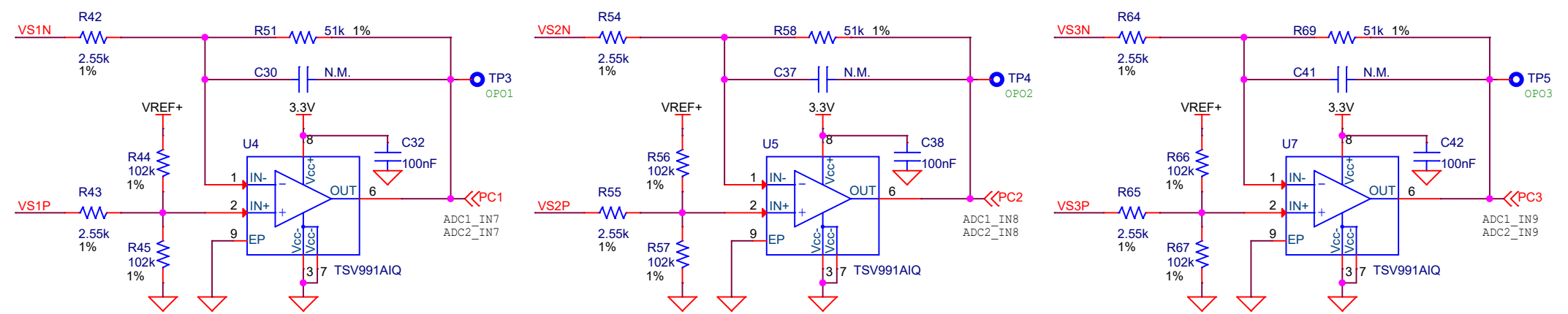
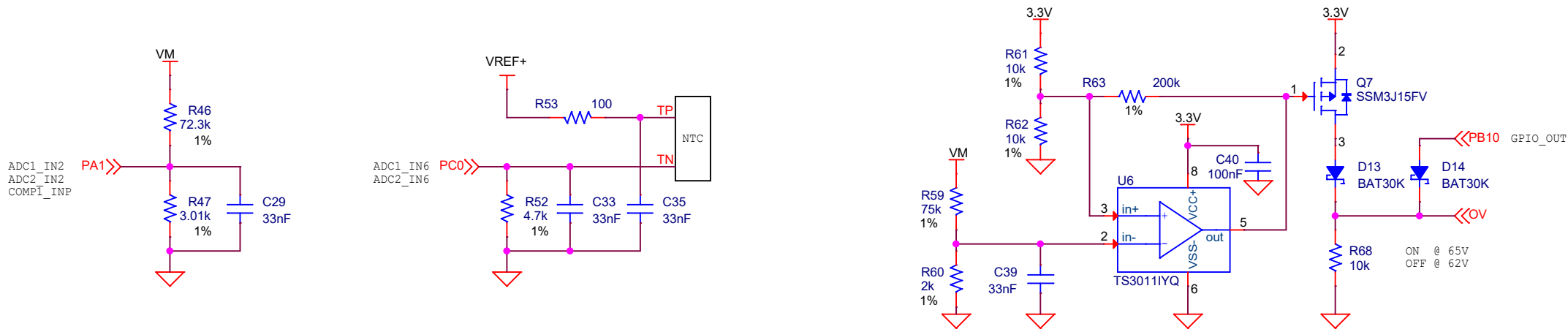
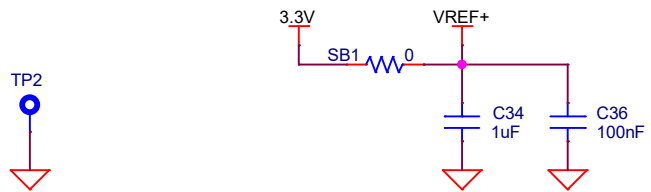
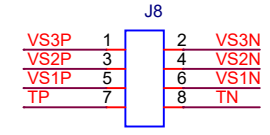
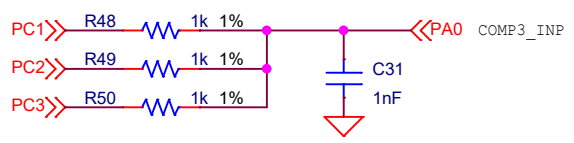
 life.augmented		Board Title <b>SERVO_CTRL1-R1</b>		This drawing and the information herein are property of STMicroelectronics and are intended for evaluation purpose only	
		Sheet Title <b>STSPIN32G4</b>			
Doc No	Date	Rev	Sheet		
	Tuesday, May 14, 2024	1	1 / 4		




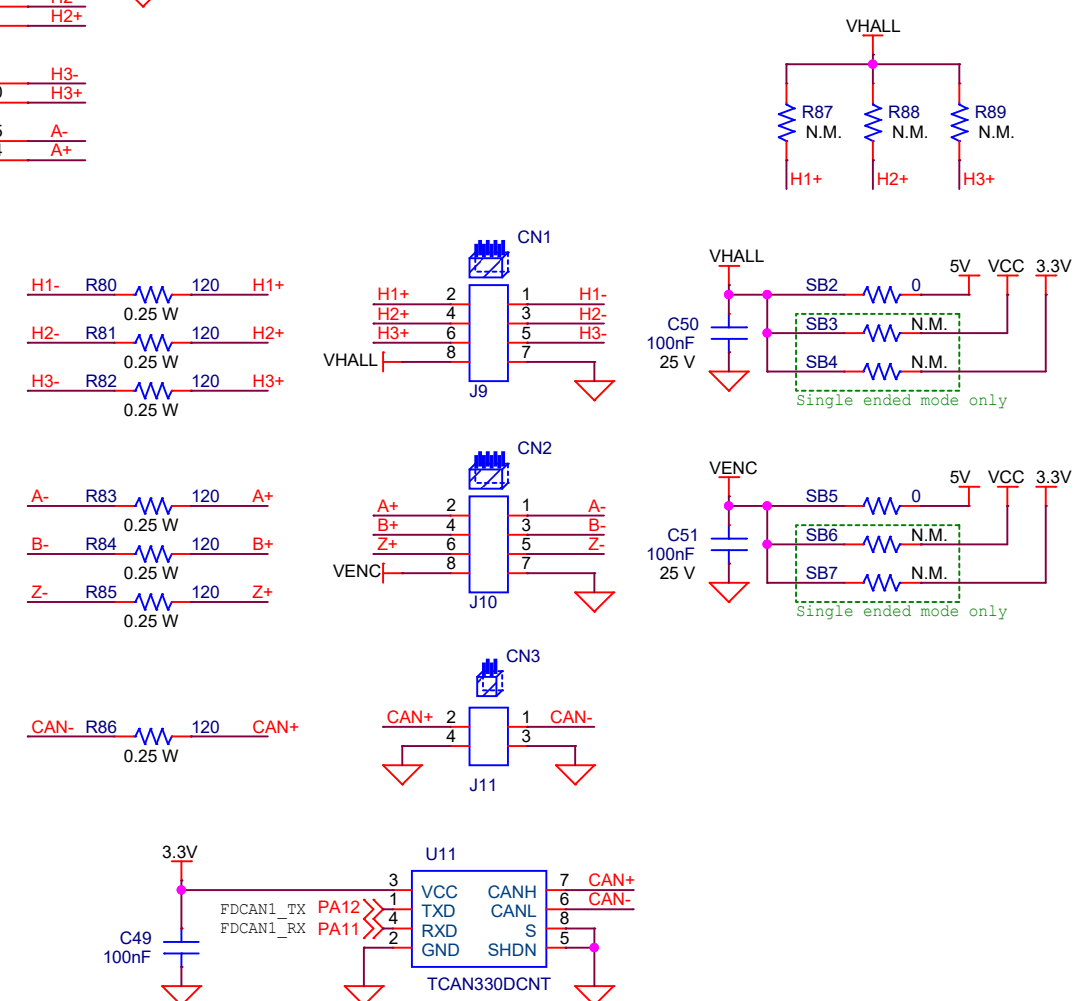
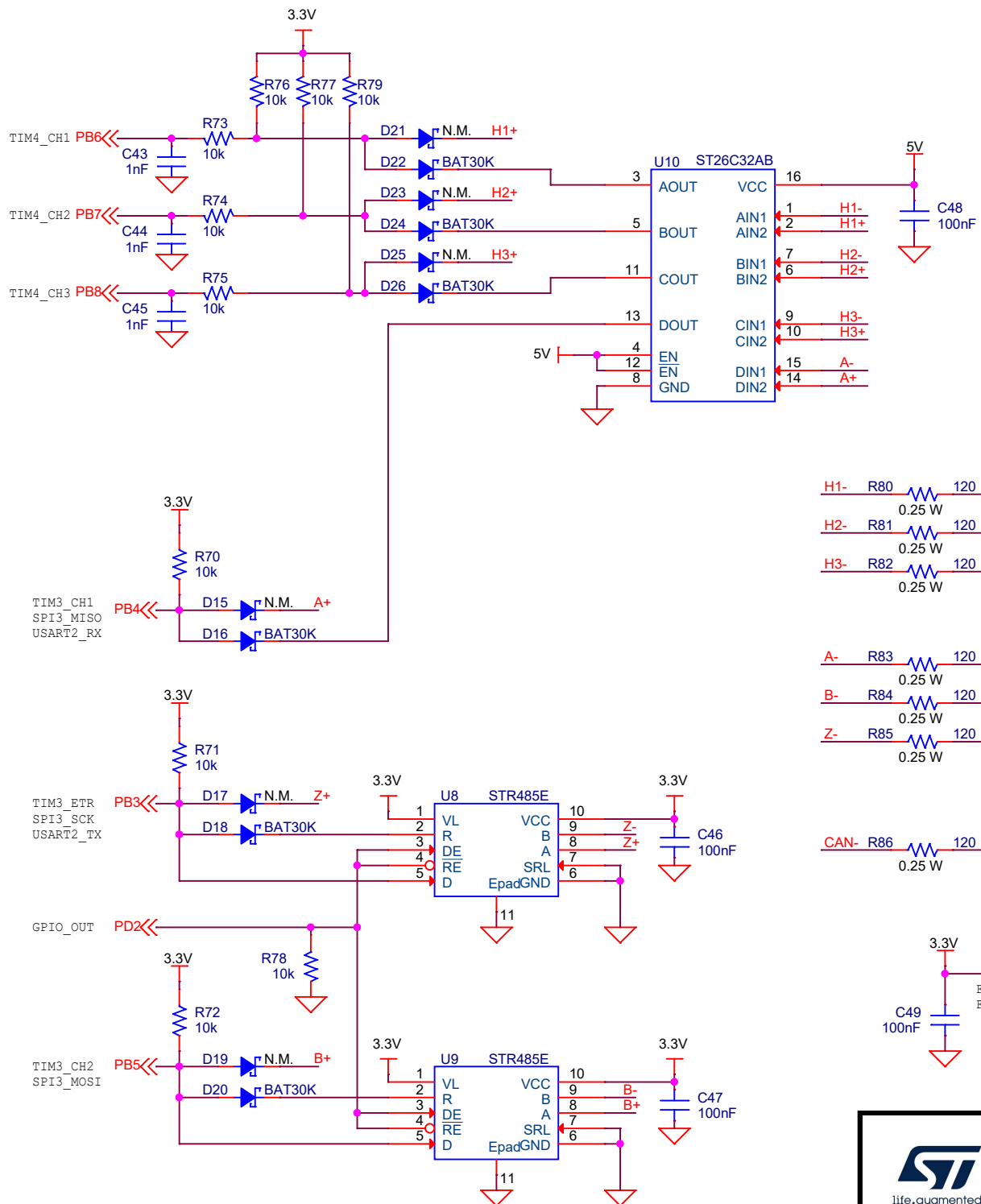
 life.augmented	Board Title <b>SERVO_CTRL1-R1</b>				This drawing and the information herein are property of STMicroelectronics and are intended for evaluation purpose only
	Sheet Title <b>Regulators</b>				
Doc No	Date	Rev	Sheet		
	Tuesday, May 14, 2024	1	2 / 4		




Gain 20 ( 51k/2.55k )  
 +/- 165A  
 0.01 V/A



 life.augmented	Board Title <b>SERVO_CTRL1-R1</b>			This drawing and the information herein are property of STMicroelectronics and are intended for evaluation purpose only
	Sheet Title <b>Analog Sensing</b>			
Doc No	Date Tuesday, May 14, 2024	Rev 1	Sheet 3 / 4	



 life.augmented	Board Title <b>SERVO_CTRL1-R1</b>			This drawing and the information herein are property of STMicroelectronics and are intended for evaluation purpose only
	Sheet Title <b>Hall - Encoder - CAN</b>			
Doc No	Date	Rev	Sheet	
	Tuesday, May 14, 2024	1	4 / 4	