
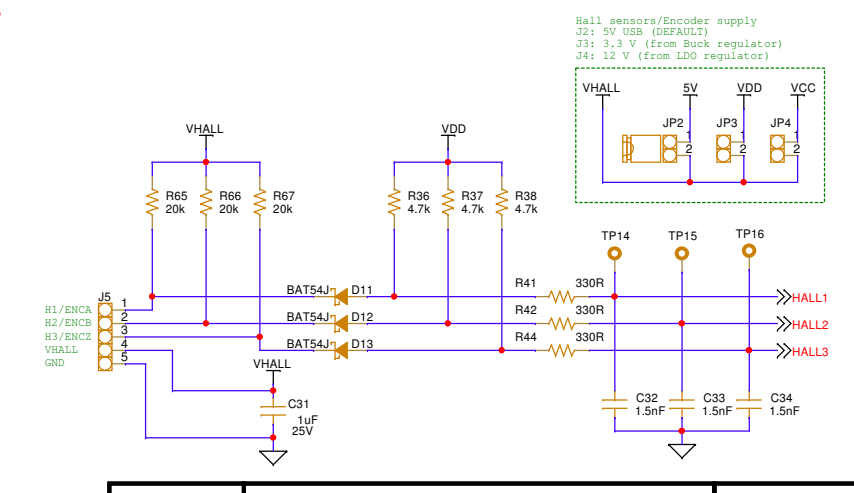
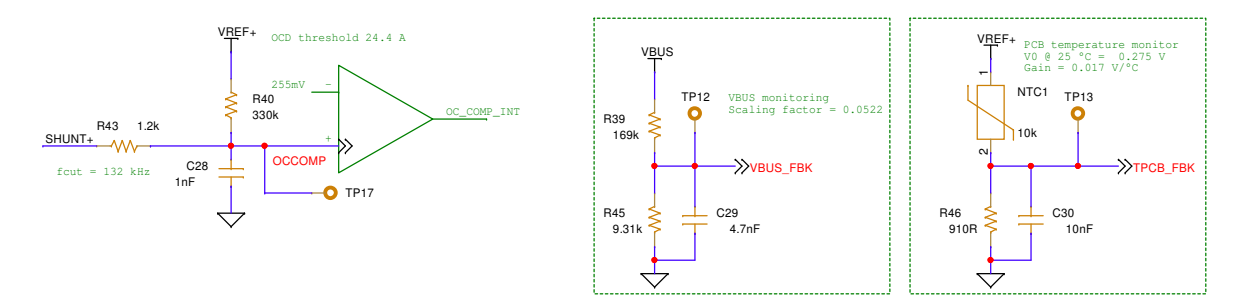
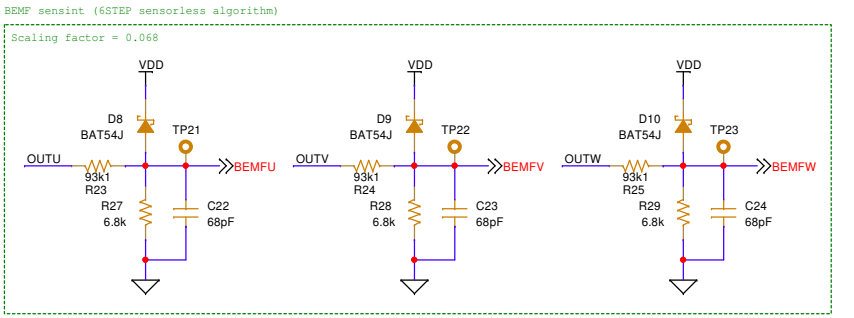
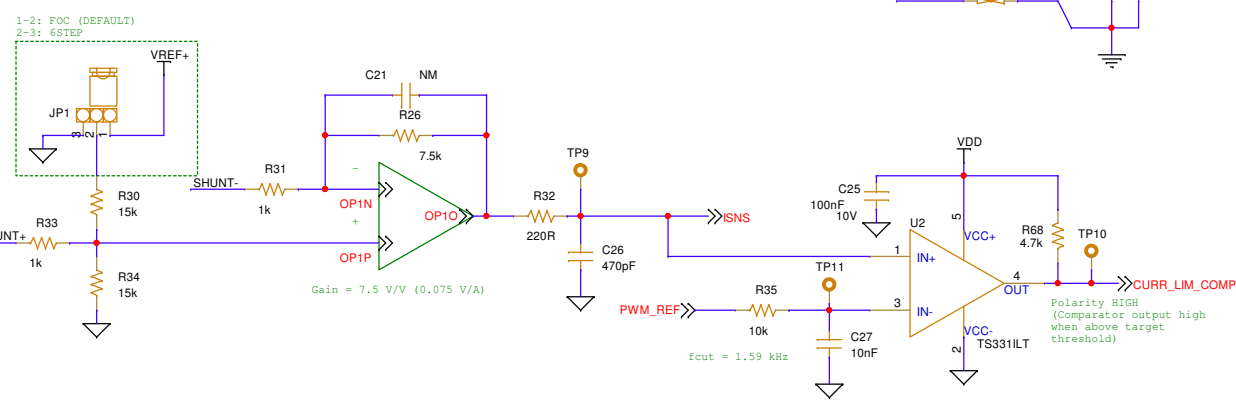
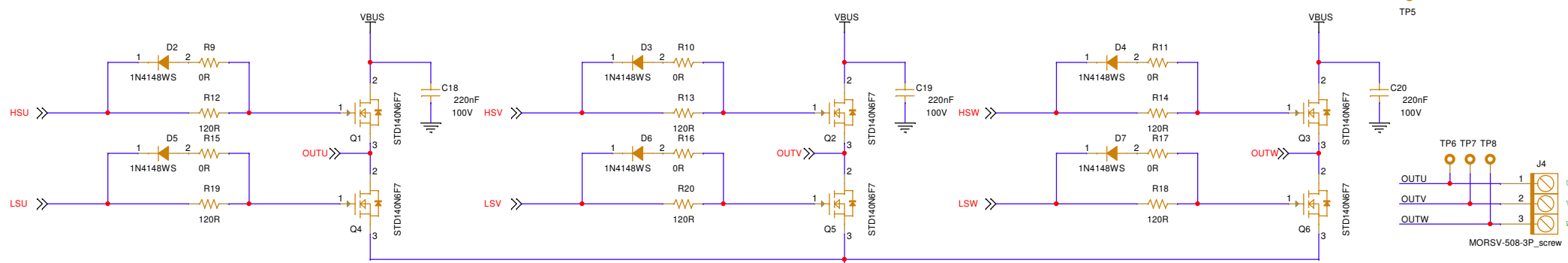
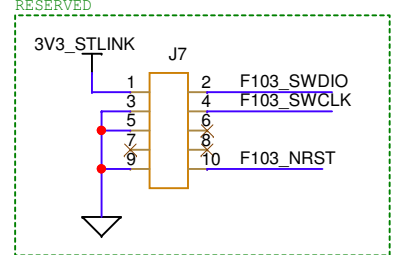
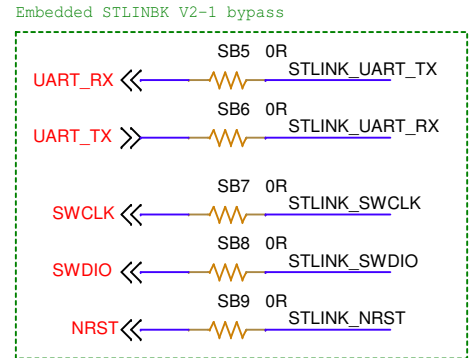
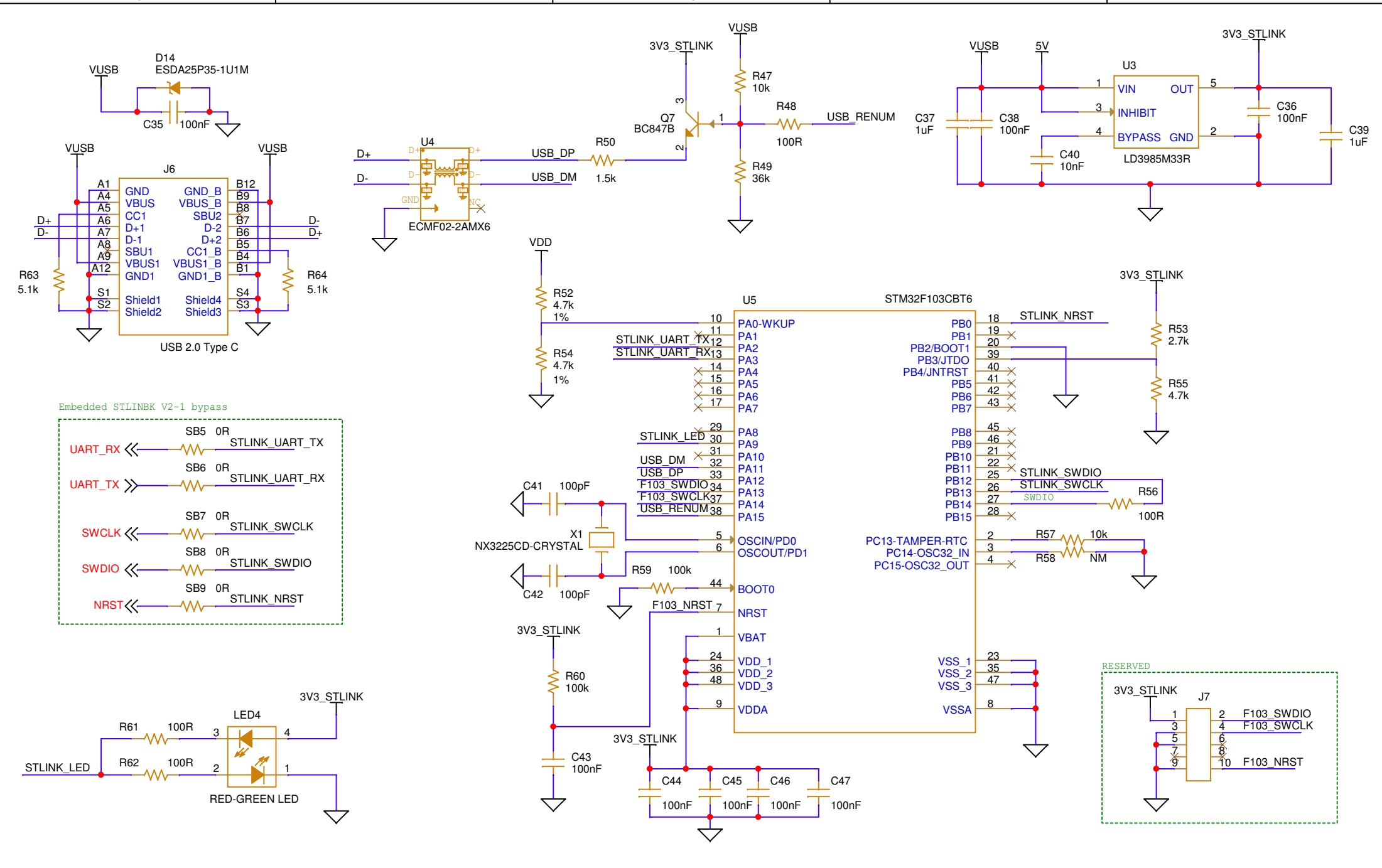



| | | | | | |
|---|--------------------------|--|-------|---|--|
|  life.augmented | | Board Title EVLSPIN32G0B1_R1 | | This drawing and the information herein are property of STMicroelectronics and are intended for evaluation purpose only | |
| | | Sheet Title STSPIN32G0B1 Controller | | | |
| Doc No | Date | Rev | Sheet | | |
| | Wednesday, June 19, 2024 | 1 | 1 / 3 | | |





| | | | | |
|---|-------------------------------------|-----|-------|--|
|  life.augmented | Board Title EVLSPIN32G0B1_R1 | | | |
| | Sheet Title STLINK | | | |
| Doc No | Date | Rev | Sheet | |
| | Wednesday, June 19, 2024 | 1 | 3 / 3 | |

This drawing and the information herein are property of STMicroelectronics and are intended for evaluation purpose only