
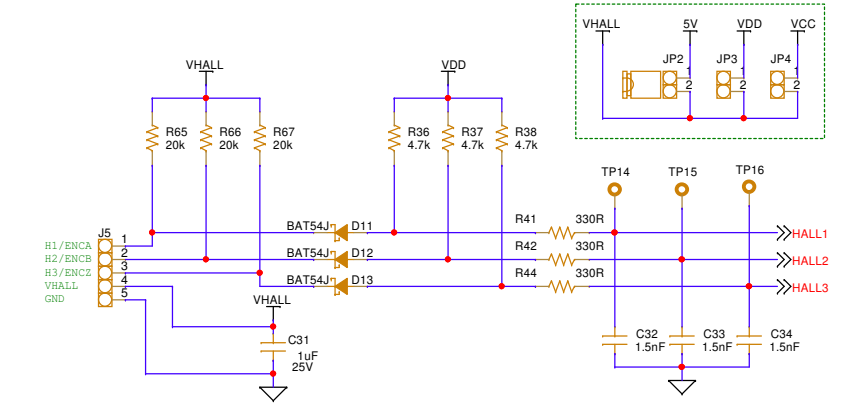
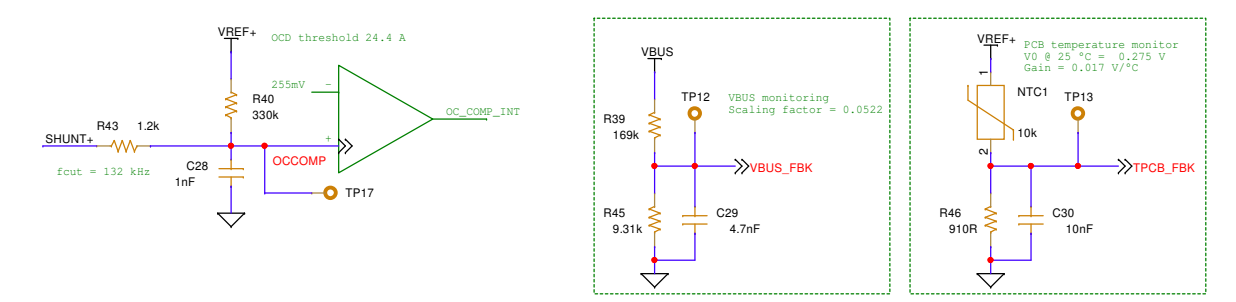
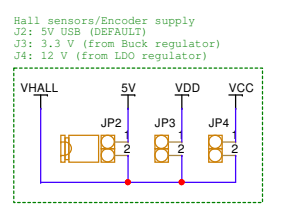
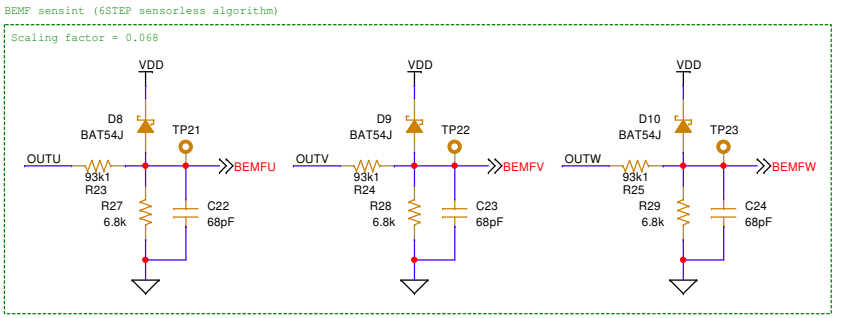
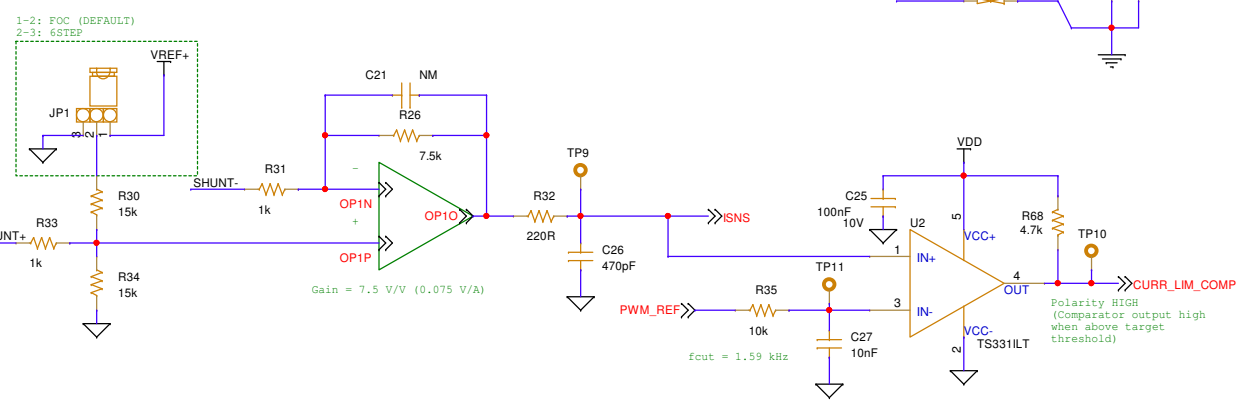
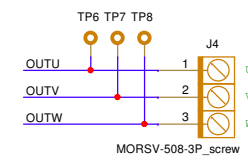
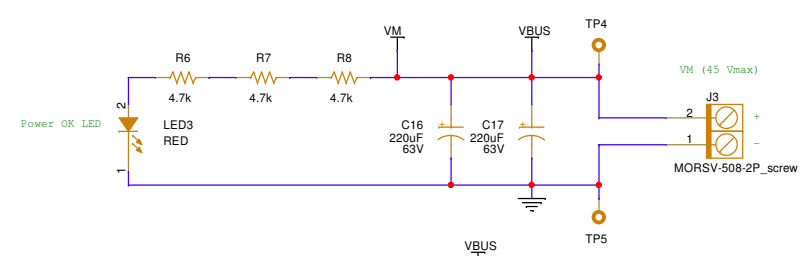
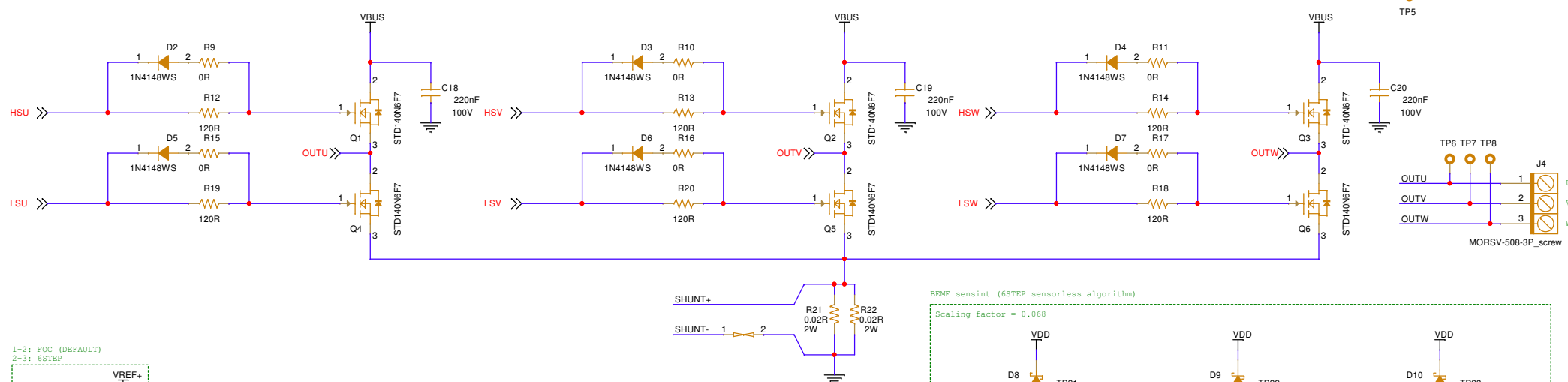
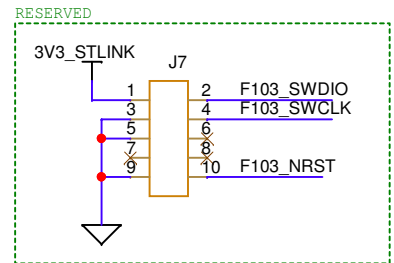
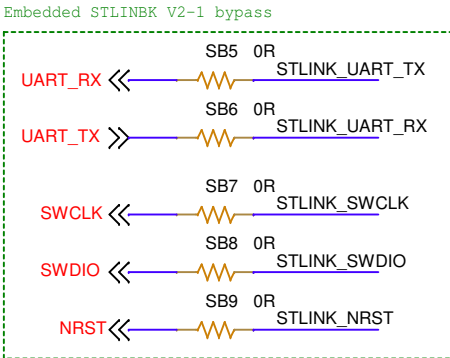
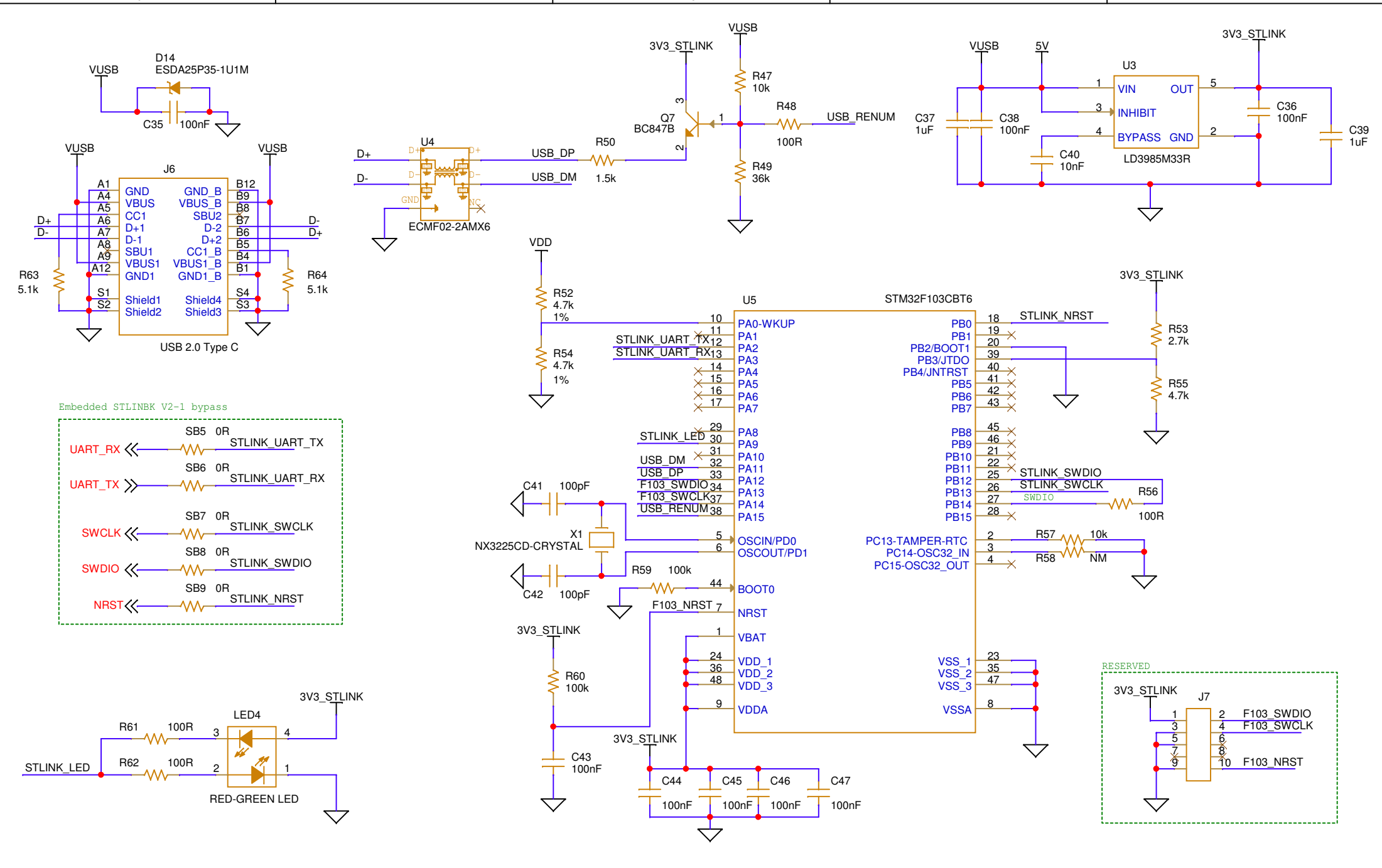



WARNING!
When closed, maximum supply voltage is limited at 15 V

		Board Title EVLSPIN32G0B2_R1		This drawing and the information herein are property of STMicroelectronics and are intended for evaluation purpose only	
		Sheet Title STSPIN32G0B2 Controller			
Doc No	Date	Rev	Sheet		
	Wednesday, June 19, 2024	1	1 / 3		



	Board Title EVLSPIN32G0B2_R1		This drawing and the information herein are property of STMicroelectronics and are intended for evaluation purpose only	
	Sheet Title Power stage			
Doc No	Date	Rev	Sheet	
	Wednesday, June 19, 2024	1	2 / 3	



 life.augmented	Board Title EVLSPIN32G0B2_R1			
	Sheet Title STLINK			
Doc No	Date	Rev	Sheet	
	Wednesday, June 19, 2024	1	3 / 3	

This drawing and the information herein are property of STMicroelectronics and are intended for evaluation purpose only