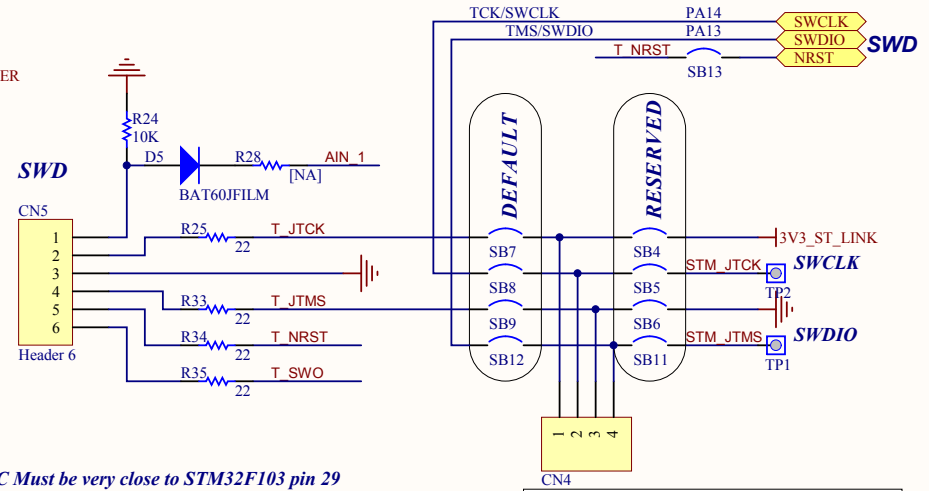
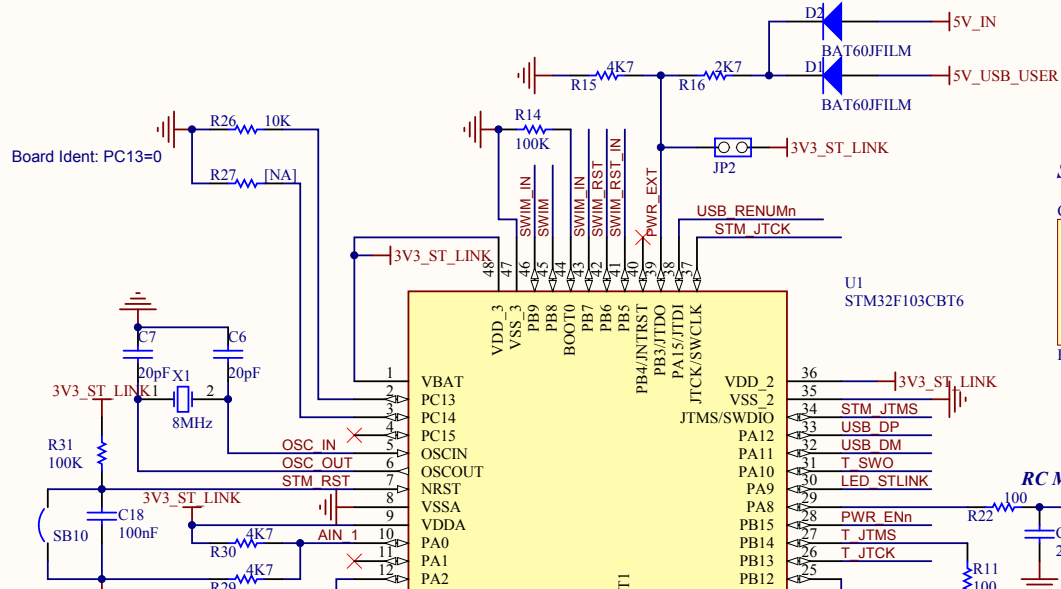


Rev A-01 => PCB label MB1143 A-01
Rev B-01 => PCB label MB1143 B-01, Layout of MOSFET modified
Idd Shunt resistors adjusted, Correction on CN1 and CN3

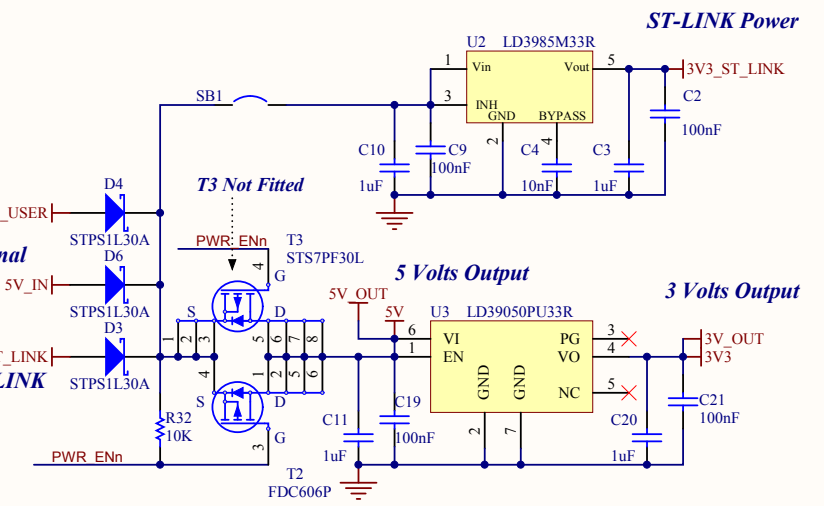
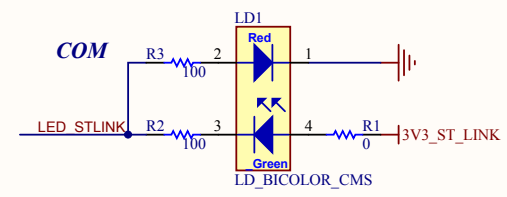
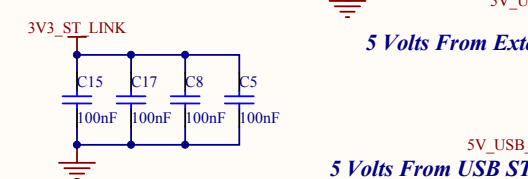
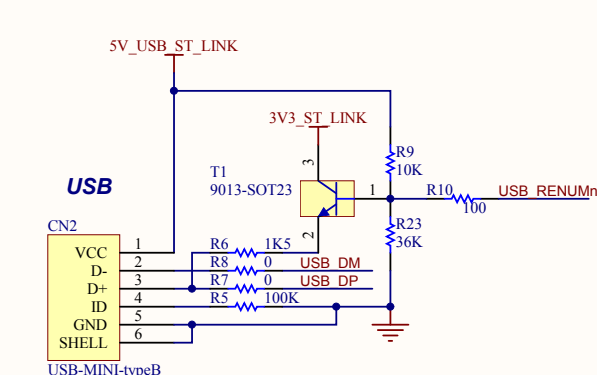
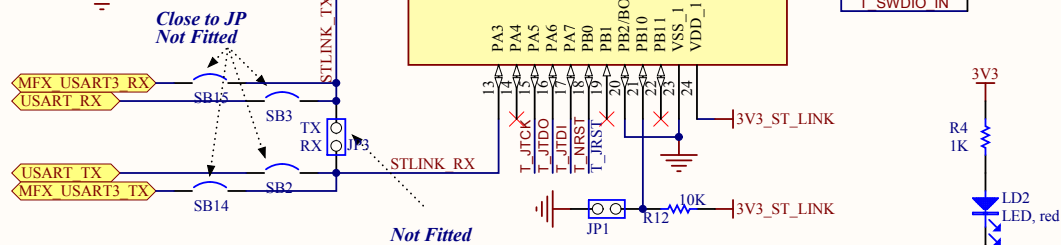
Title: STM32L053 Discovery		
Project: STM32L0538-DISCO		
Size: A4	Reference: MB1143	Revision: B-01
Date: 22-May-14	Sheet: 1 of 6	



Board Ident: PC13=0
R26 10K
R27 [NA]

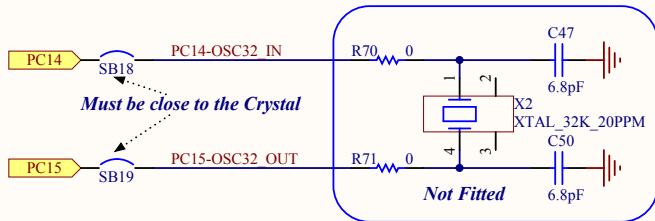
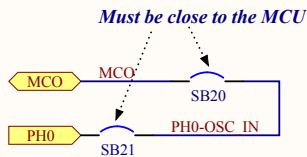


Jumpers ON --> DISCOVERY Selected
Jumpers OFF --> ST-LINK Selected

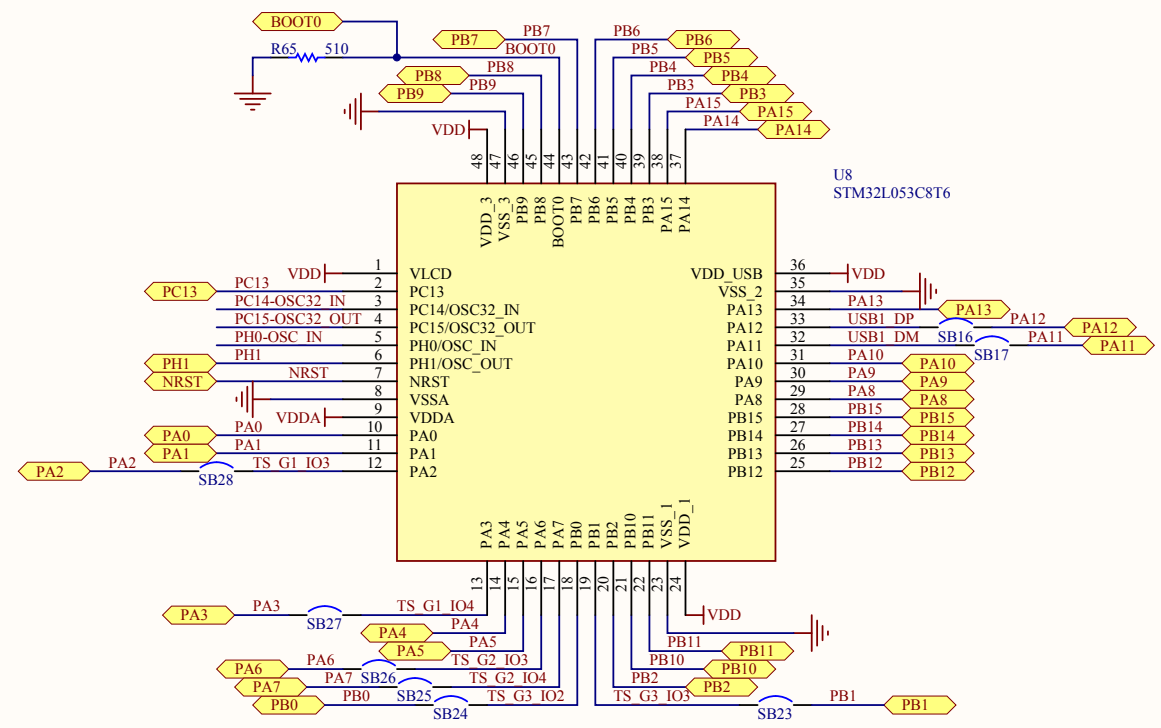
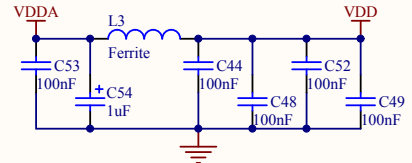


Title: ST-LINK/V2-1 with support of SWD only		
Project: STM32L0538-DISCO		
Size: A4	Reference: MB1143	Revision: B-01
Date: 26-May-14	Sheet: 2 of 6	





All this block must be very close to the STM32L053

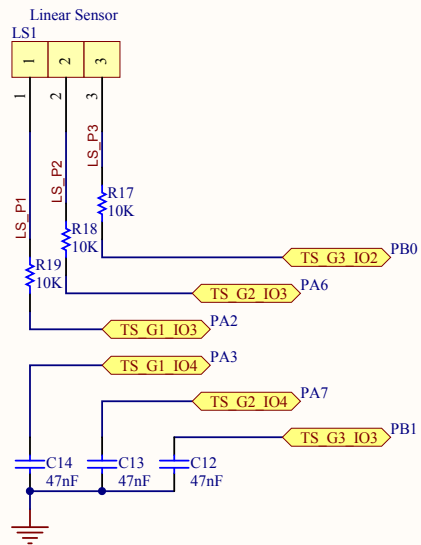


PA0	B USER	B USER
PB4	LD G	LD G
PA5	LD R	LD R
PB7	NFC IRQOUTn	NFC IRQOUTn
PB12	NFC NSS	NFC NSS
PB15	NFC MOSI	NFC MOSI
PB6	NFC IRQINn	NFC MOSI
PB14	NFC MISO	NFC IRQINn
PB13	NFC SCK	NFC MISO
PA8	ePD1 BUSY	ePD1 BUSY
PB2	ePD1 RESET	ePD1 RESET
PB11	ePD1 D/C	ePD1 D/C
PA15	ePD1 CS	ePD1 D/C
PB3	ePD1 SCK	ePD1 CS
PB5	ePD1 MOSI	ePD1 SCK
PB10	ePD1 PWR ENn	ePD1 MOSI
PA1	MXF WAKEUP	ePD1 PWR ENn
PC13	MXF IRQ OUT	MXF WAKEUP
		MXF IRQ OUT

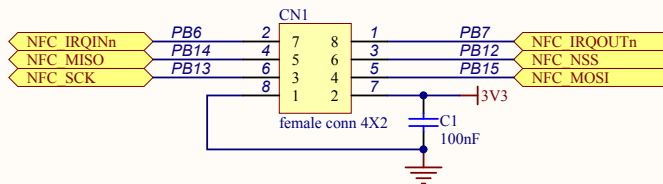
PA2	TS G1 IO3	TS G1 IO3
PA3	TS G1 IO4	TS G1 IO4
PA6	TS G2 IO3	TS G2 IO3
PA7	TS G2 IO4	TS G2 IO4
PB0	TS G3 IO2	TS G3 IO2
PB1	TS G3 IO3	TS G3 IO3
PA12	USB1 DP	USB1 DP
PA11	USB1 DM	USB1 DM
PA9	USART TX	USART TX
PA10	USART RX	USART RX
PA14	SWCLK	SWCLK
PA13	SWDIO	SWDIO
PB8	MXF I2C SCL	MXF I2C SCL
PB9	MXF I2C SDA	MXF I2C SDA

Title: STM32L053C8T6 MCU		
Project: STM32L0538-DISCO		
Size: A4	Reference: MB1143	Revision: B-01
Date: 22-May-14	Sheet: 3 of 6	

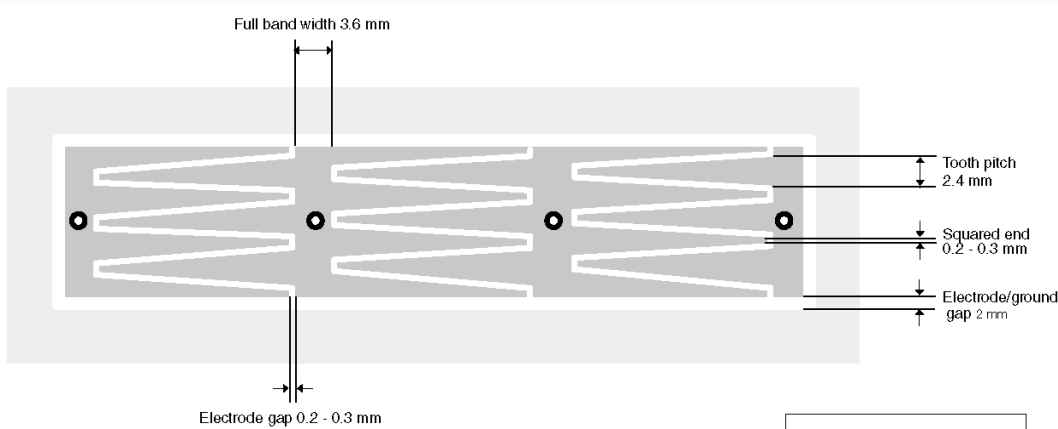
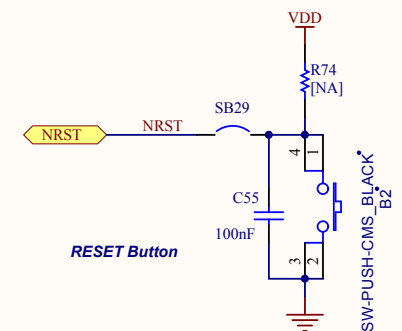
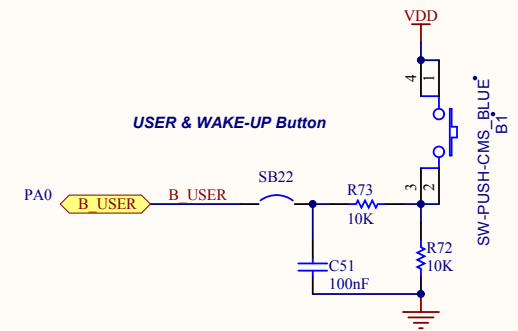
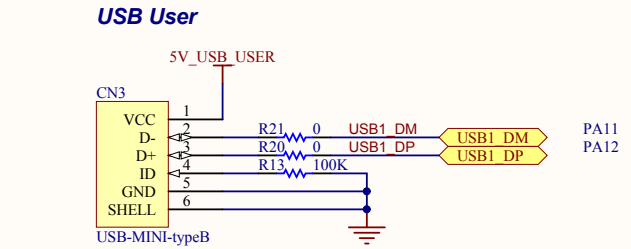
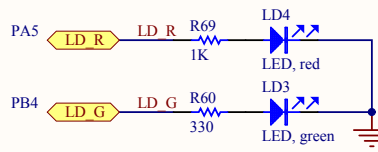




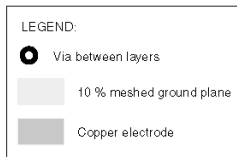
Linear Touch Sensor made of 3 electrodes




Operating Voltage: +3.3V
NFC kit reference: CR95HF-B
NFC



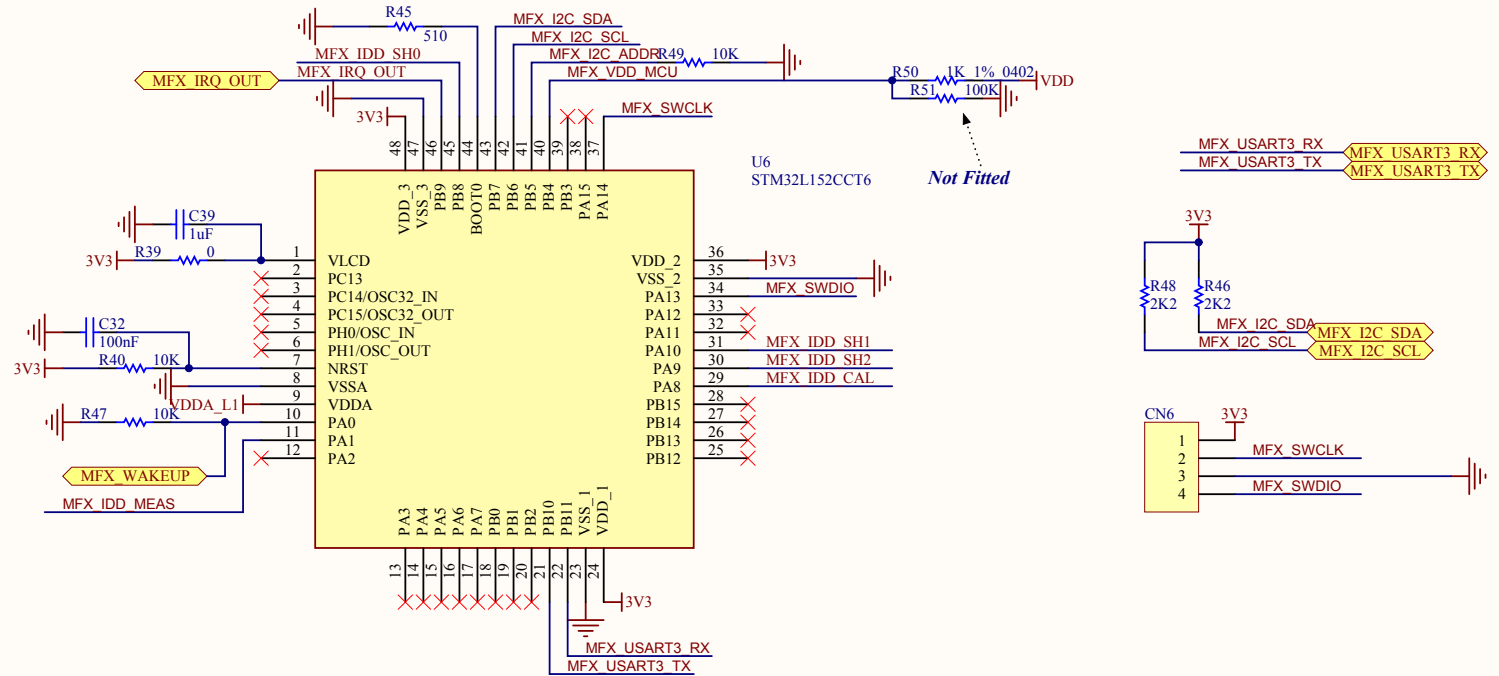
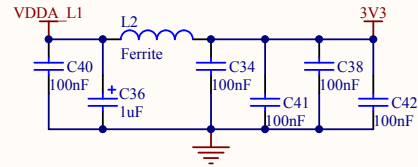
Interlaced slider with three elements (up to 60 mm long)



Title: Linear Touch Sensor, NFC, USB and Push Button			
Project: STM32L0538-DISCO			
Size: A4	Reference: MB1143	Revision: B-01	
Date: 22-May-14	Sheet: 5 of 6		
life.augmented			

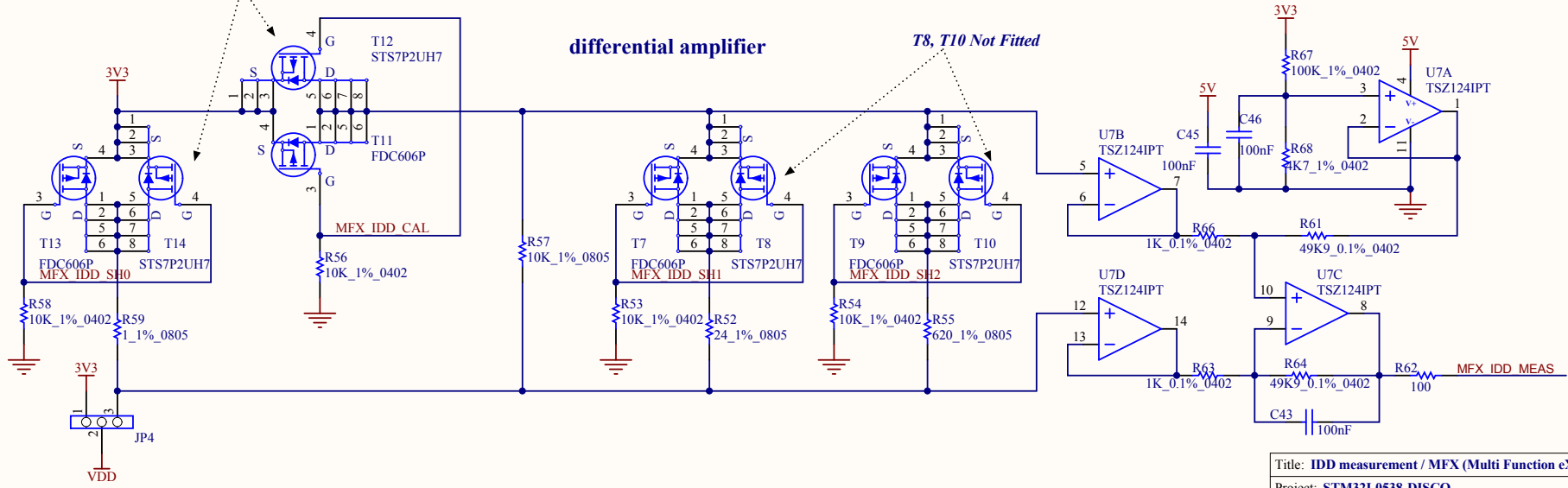
MFX Multi Function eXpander

All this block must be very close to the STM32L152



T12, T14 Not Fitted

T8, T10 Not Fitted



Title: IDD measurement / MFX (Multi Function eXpander)		
Project: STM32L0538-DISCO		
Size: A4	Reference: MB1143	Revision: B-01
Date: 26-May-14	Sheet: 6 of 6	

