

STM32F7508-DK

MB1191

Table of contents

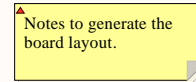
- Sheet 1: Project overview (this page)
- Sheet 2: Top
- Sheet 3: STM32 MCU Connexion
- Sheet 4: ST-LINK/V2-1 with support of SWD only
- Sheet 5: Joystick, ACP, LEDs and Push Button
- Sheet 6: Audio Codec WOLFSON and connectors
- Sheet 7: Quad SPI Flash Memory (MICRON)
- Sheet 8: Arduino UNO connectors
- Sheet 10: USB OTG FS with Micro A-B connector
- Sheet 9: SDRAM (MICRON)
- Sheet 11: USB OTG HS PHY with Micro A-B connector
- Sheet 12: Ethernet PHY with RJ45 connector
- Sheet 13: External Camera connector
- Sheet 14: LCD 4.3" with Capacitive Touch

Legend

General comment such as function title, configuration, ...

Text to be added to silkscreen.

Warning text.



Open Platform License Agreement

The Open Platform License Agreement (“Agreement”) is a binding legal contract between you (“You”) and STMicroelectronics International N.V. (“ST”), a company incorporated under the laws of the Netherlands acting for the purpose of this Agreement through its Swiss branch 39, Chemin du Champ des Filles, 1228 Plan-les-Ouates, Geneva, Switzerland.

By using the enclosed reference designs, schematics, PC board layouts, and documentation, in hardcopy or CAD tool file format (collectively, the “Reference Material”), You are agreeing to be bound by the terms and conditions of this Agreement. Do not use the Reference Material until You have read and agreed to this Agreement terms and conditions. The use of the Reference Material automatically implies the acceptance of the Agreement terms and conditions.

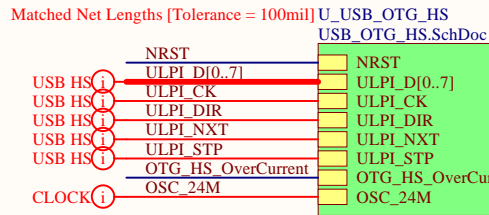
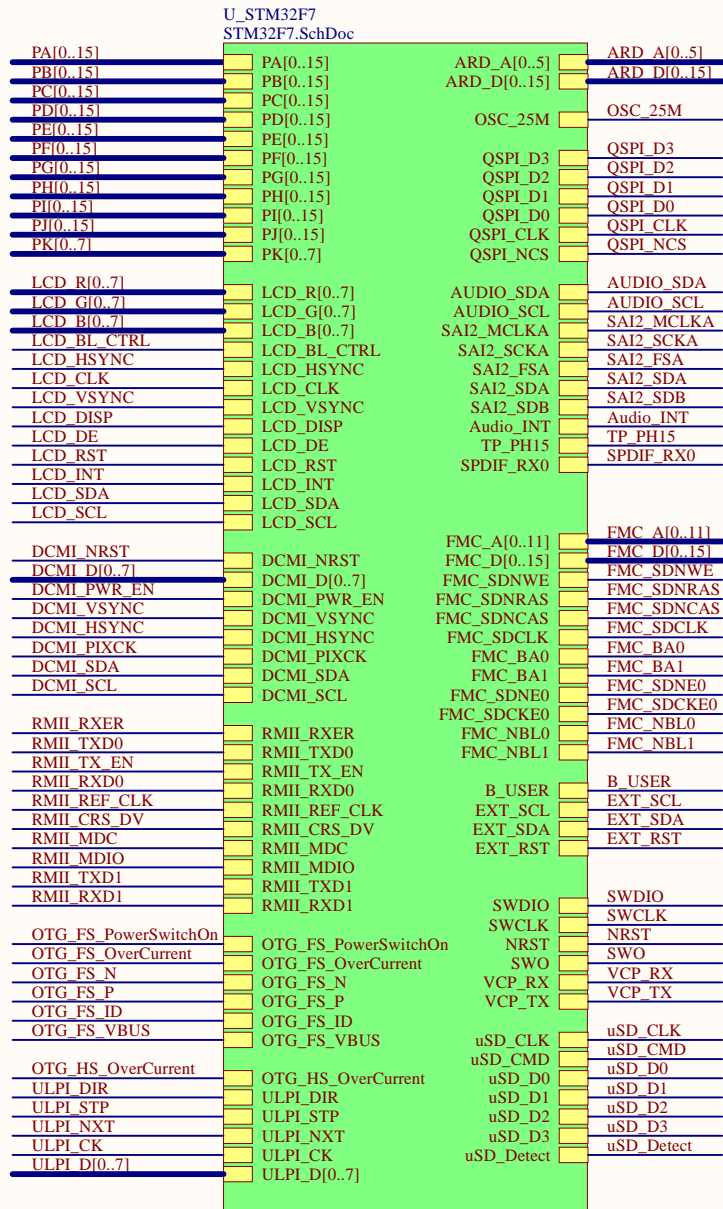
The complete Open Platform License Agreement can be found on www.st.com/opla.

U_Top
Top.SchDoc

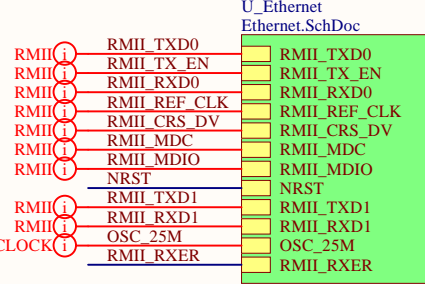


Title: Project overview	
Project: STM32F7508-DK	
Variant: F750N8H6	
Revision: C-01	Reference: MB1191
Size: A4	Date: 17/07/2019
Sheet: 1 of 14	

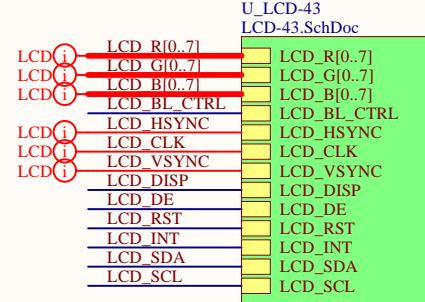




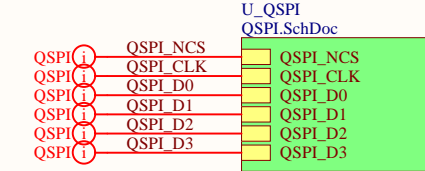
Matched Net Lengths [Tolerance = 100mil]



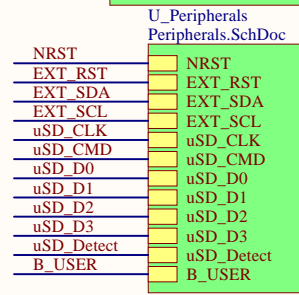
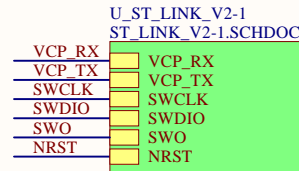
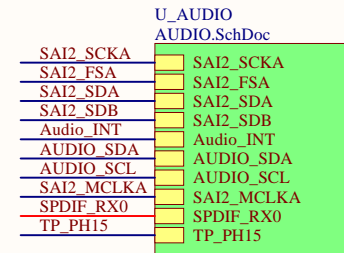
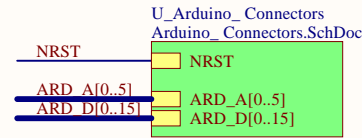
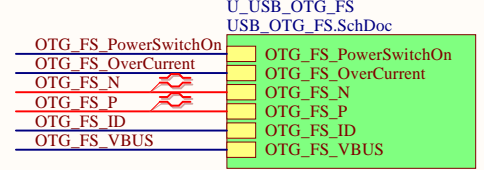
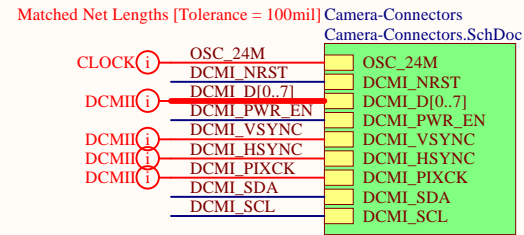
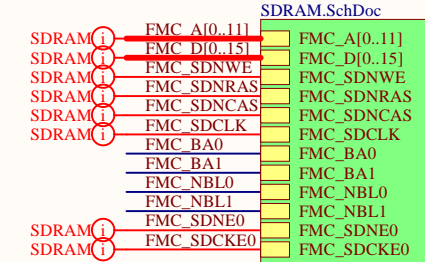
Matched Net Lengths [Tolerance = 100mil]

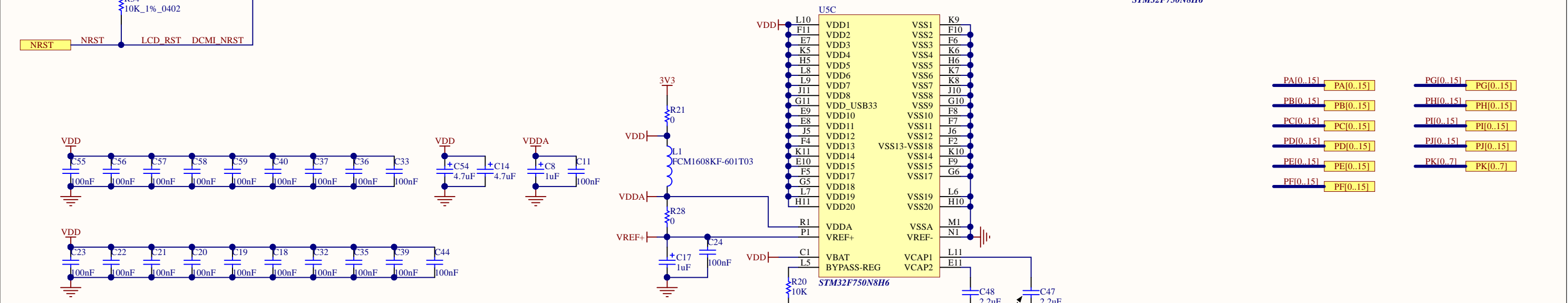
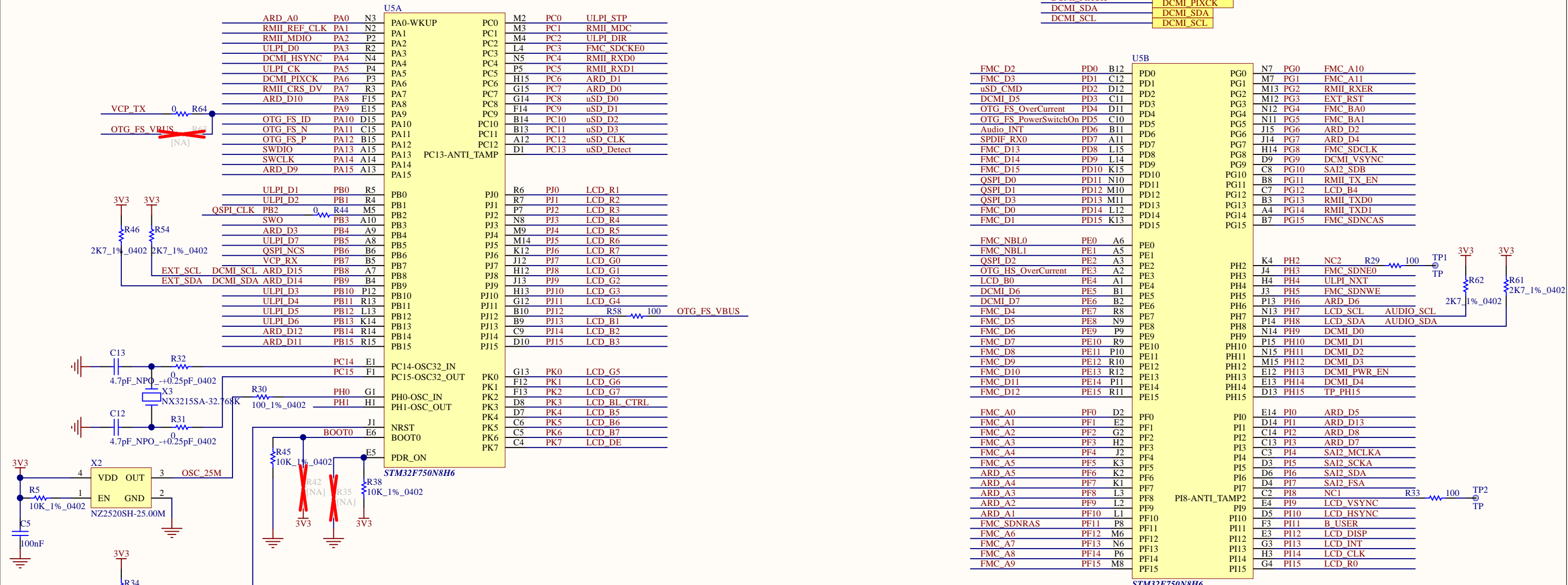
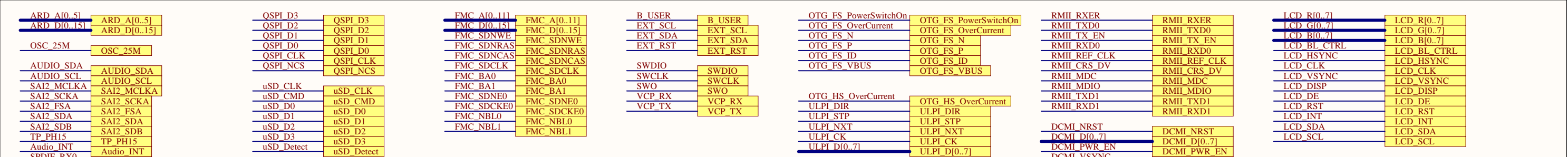


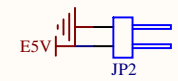
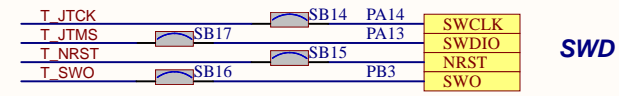
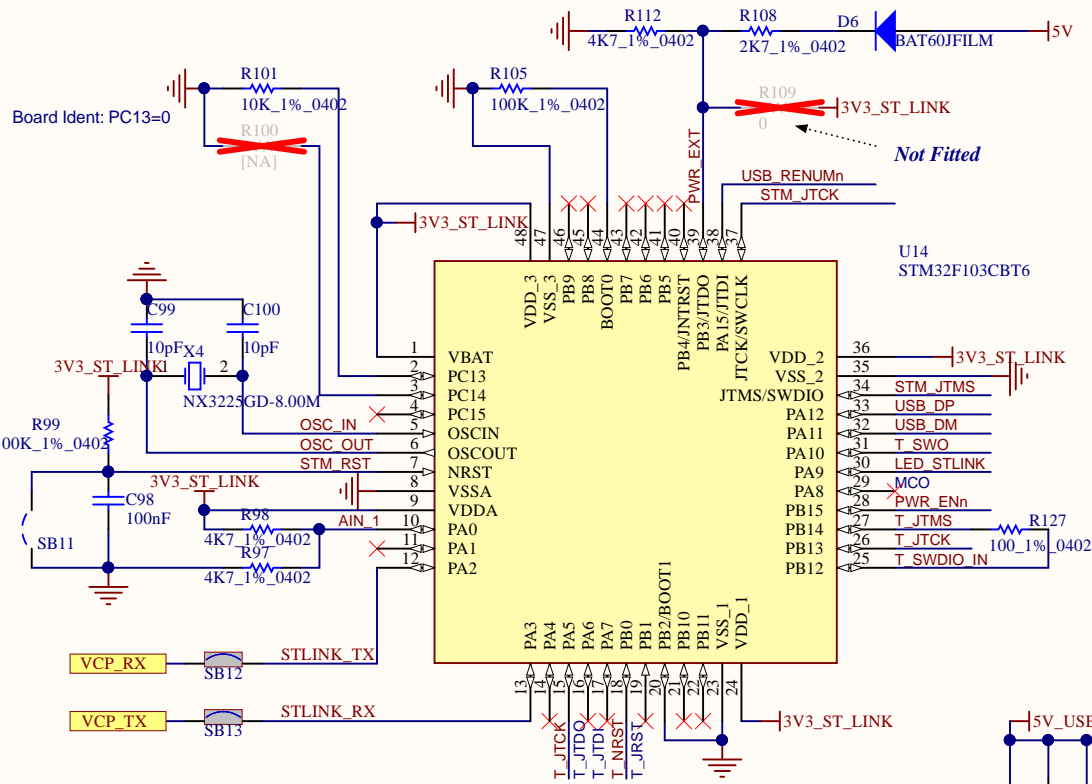
Matched Net Lengths [Tolerance = 100mil]



Matched Net Lengths [Tolerance = 100mil]

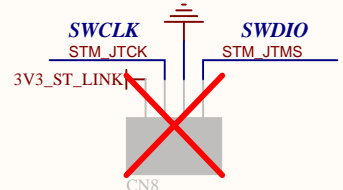
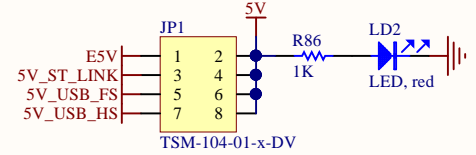




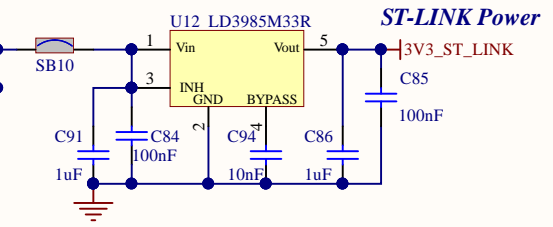
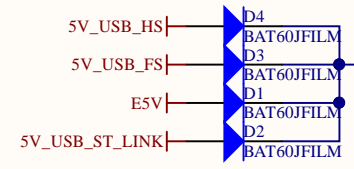


Not Fitted, must be on a border or the PCB.

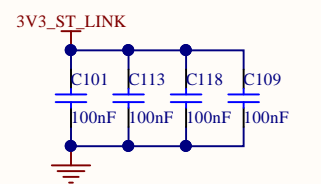
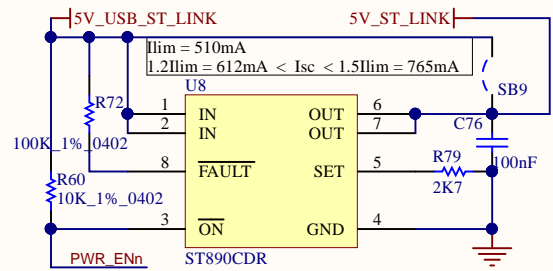
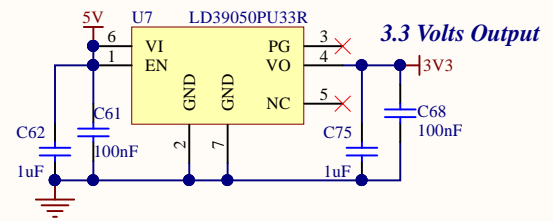
5 Volts Power Supply



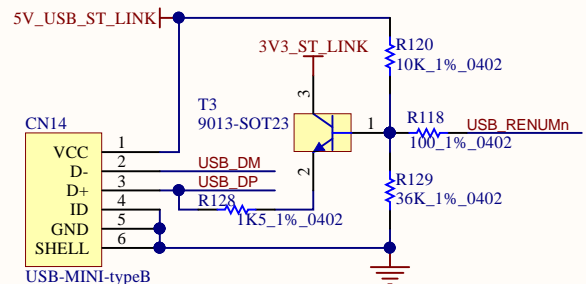
Not Fitted, must be on a border or the PCB.



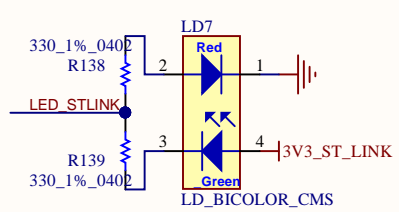
5 Volts Output



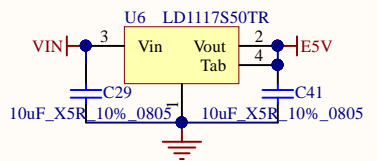
USB



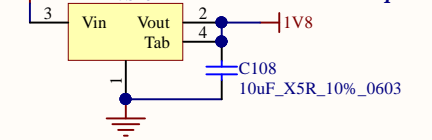
COM



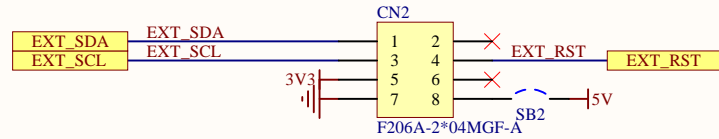
Arduino UNO power pin



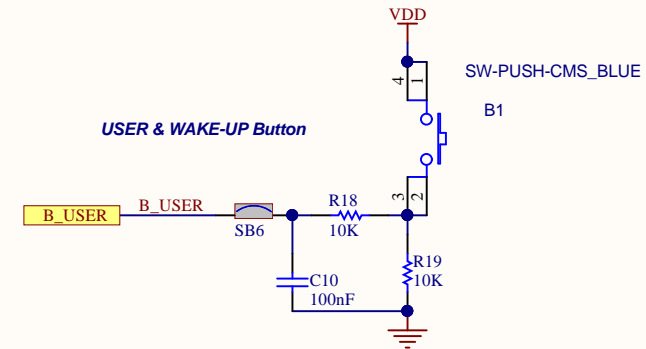
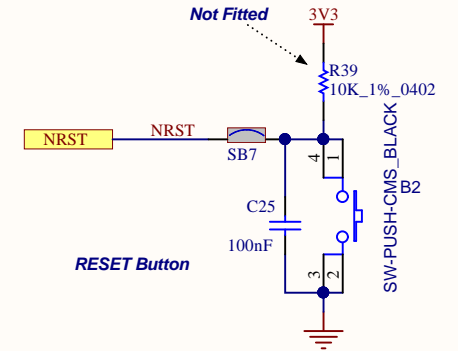
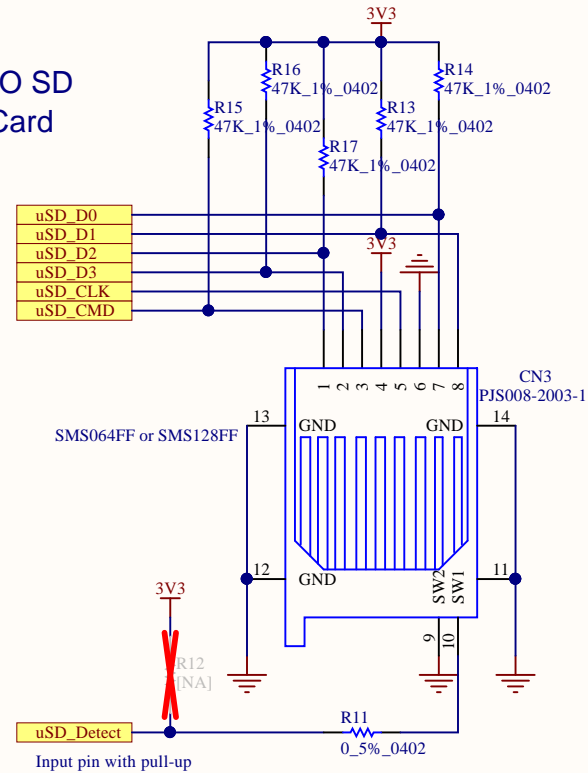
1.8 Volts Output

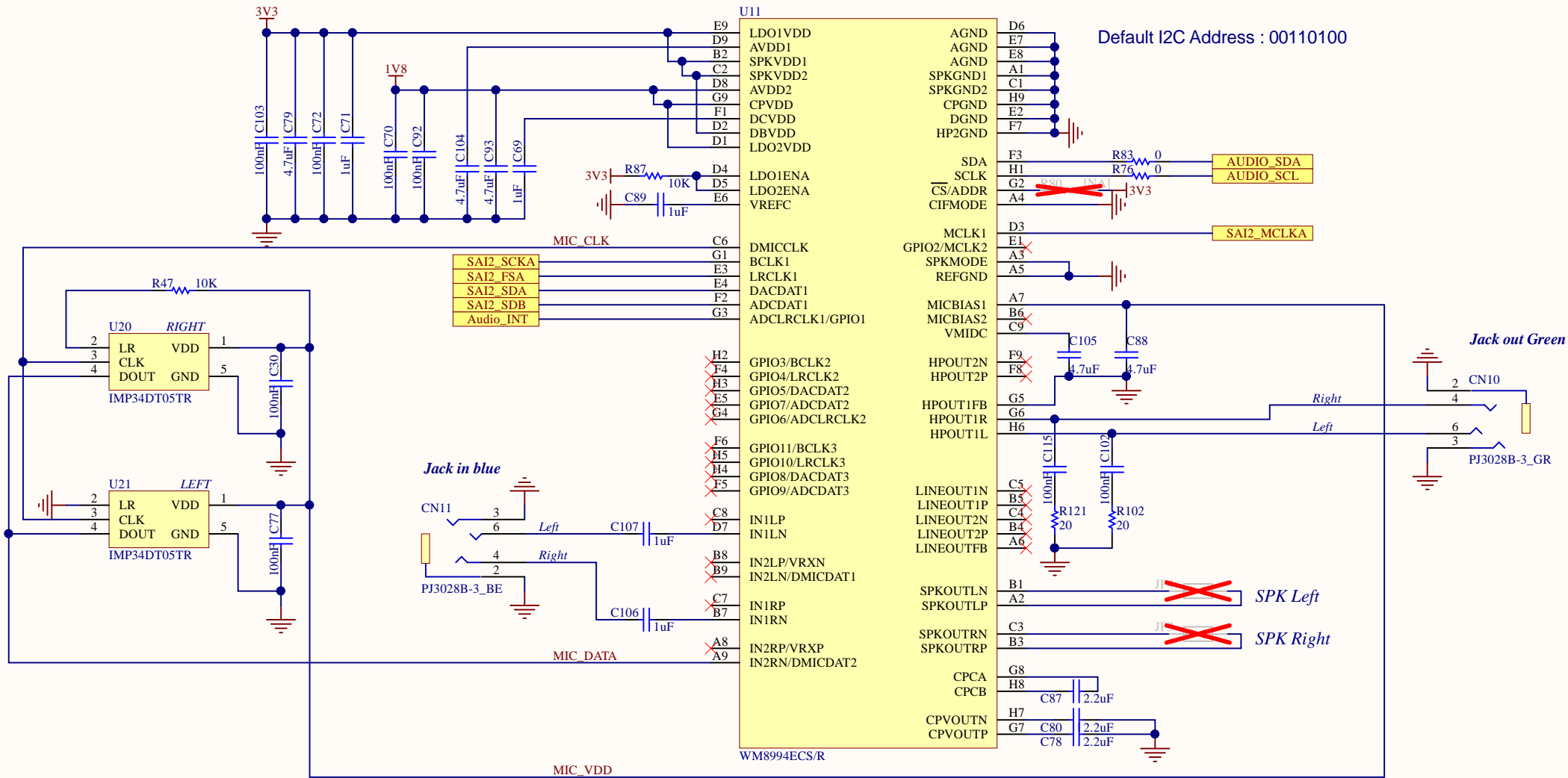


EXT/RF E2P Connector



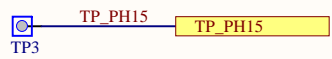
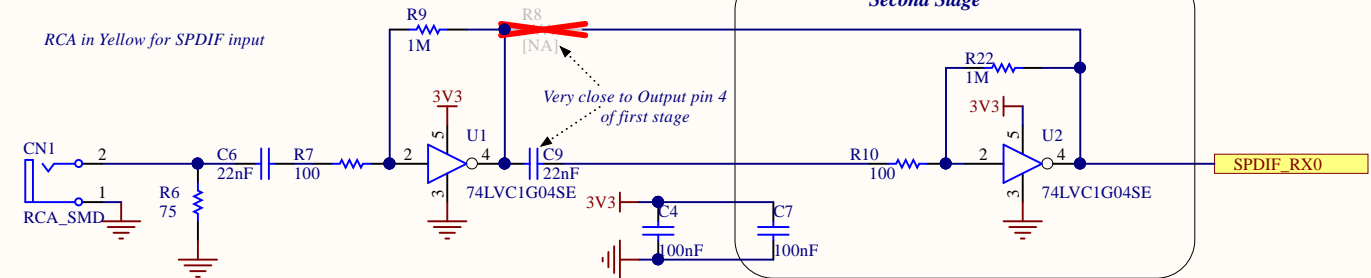
MICRO SD (TF) Card



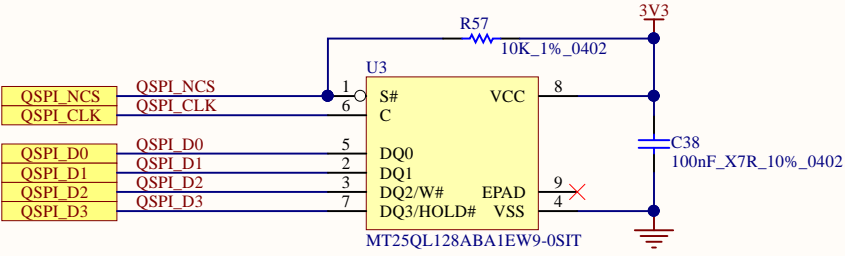


Default I2C Address : 00110100

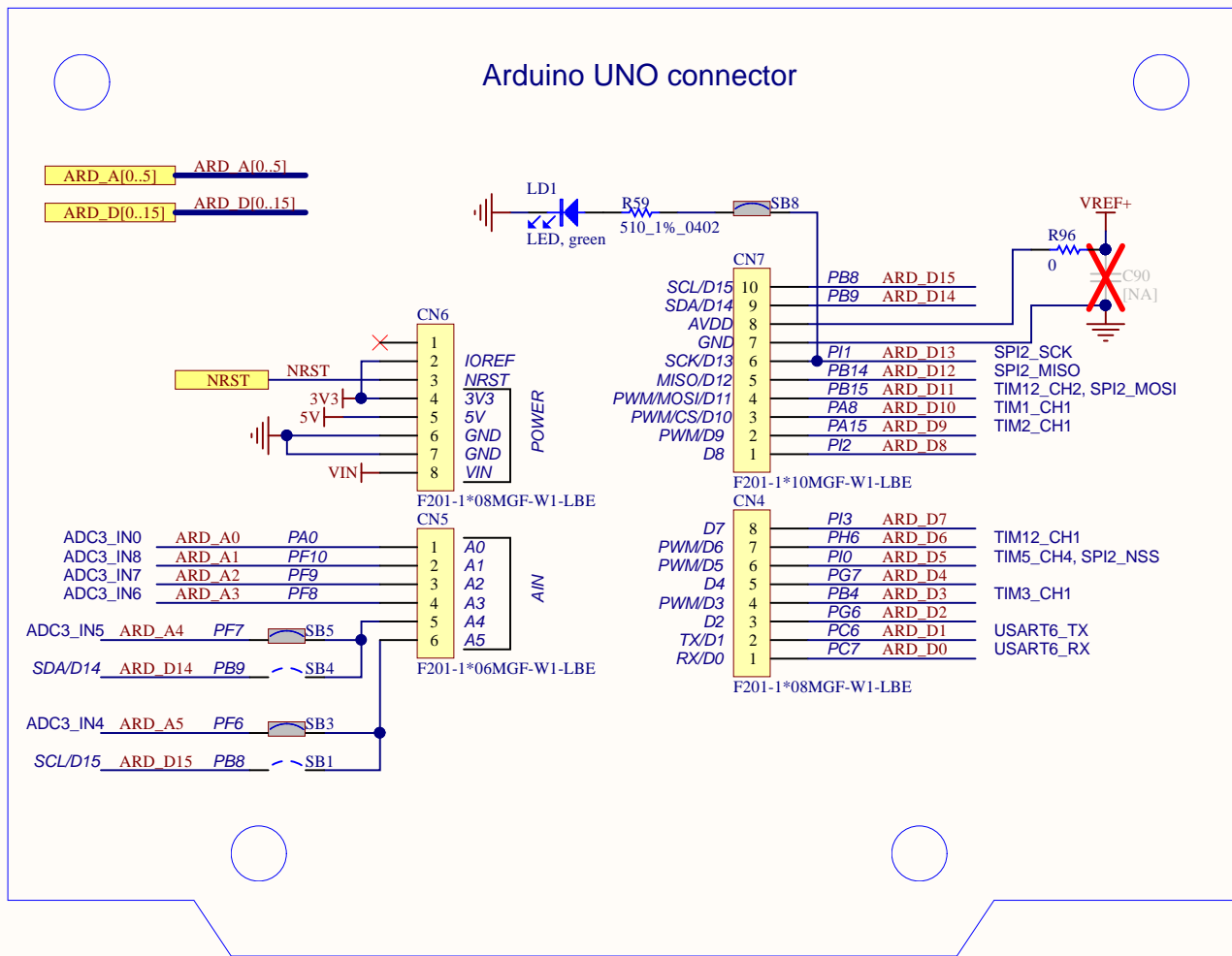
First Stage **Second Stage**

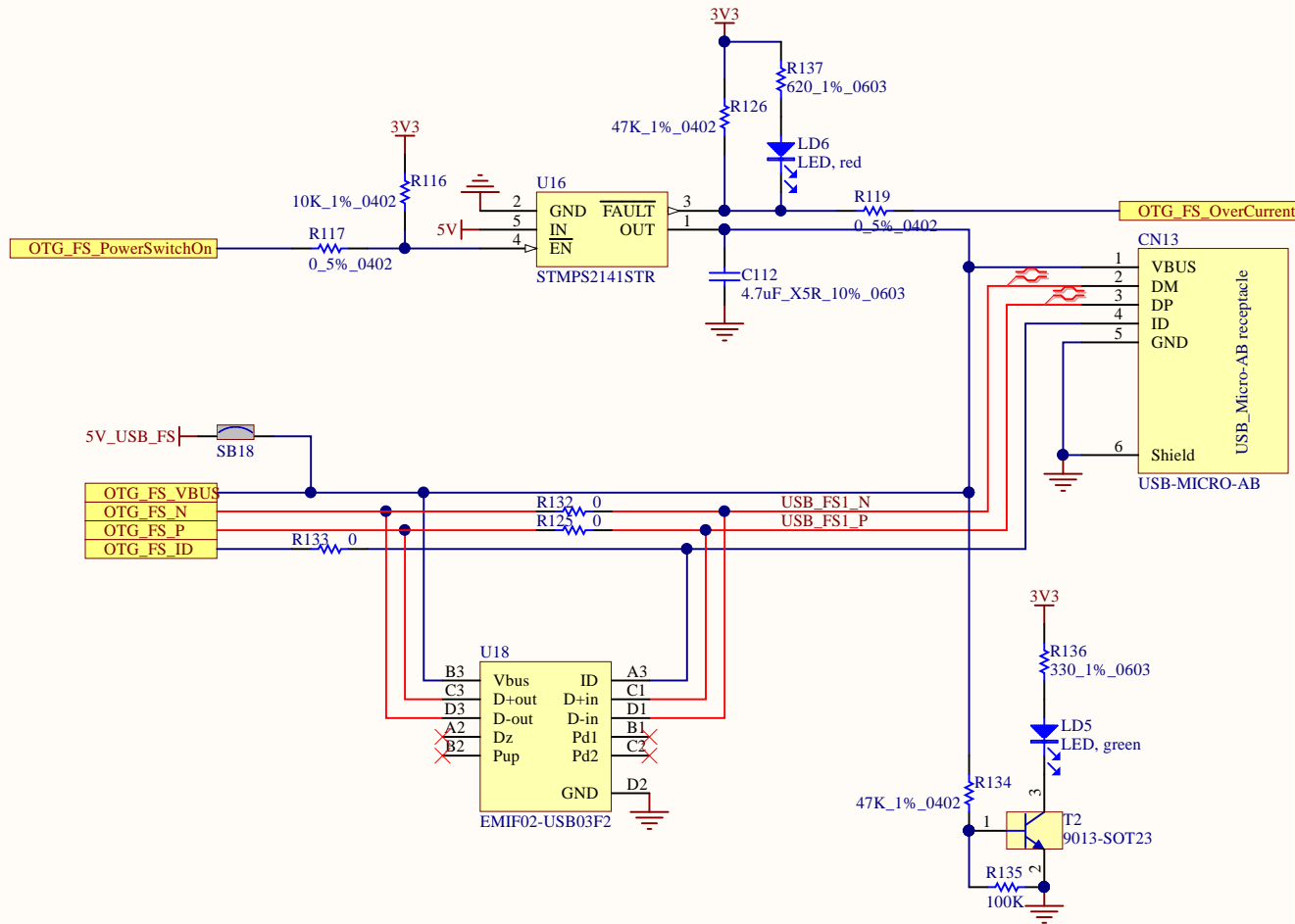


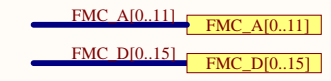
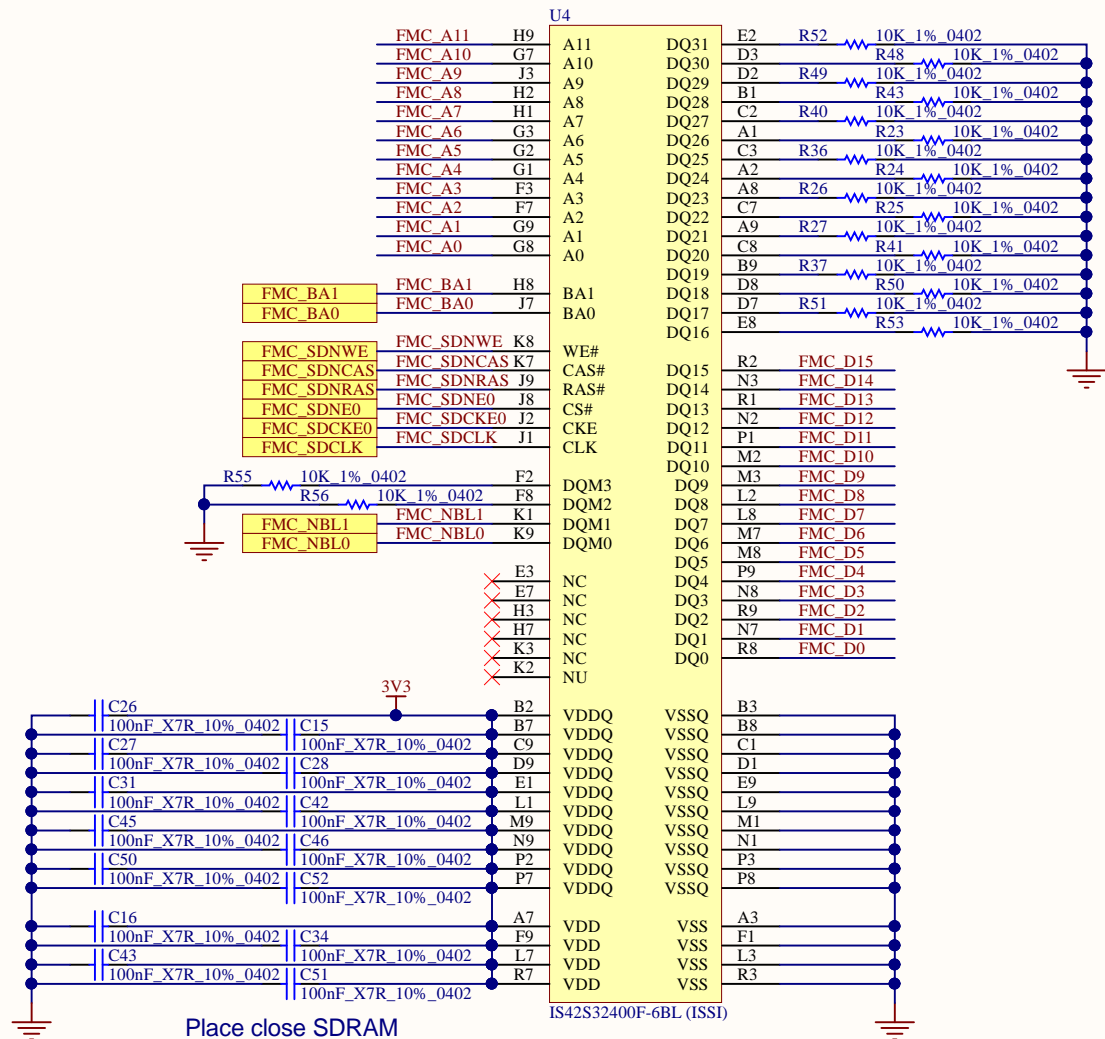
Quad SPI Flash Memory

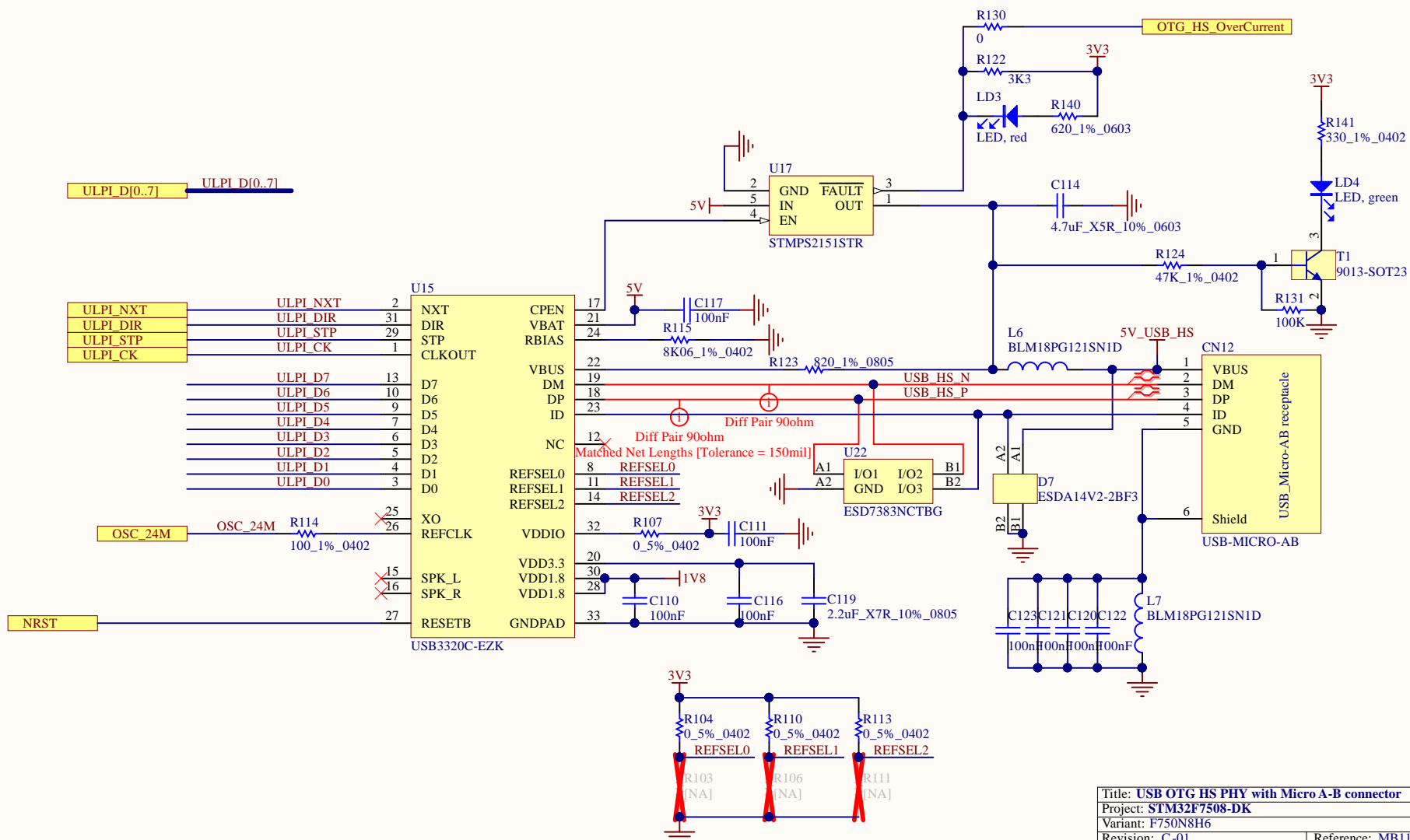


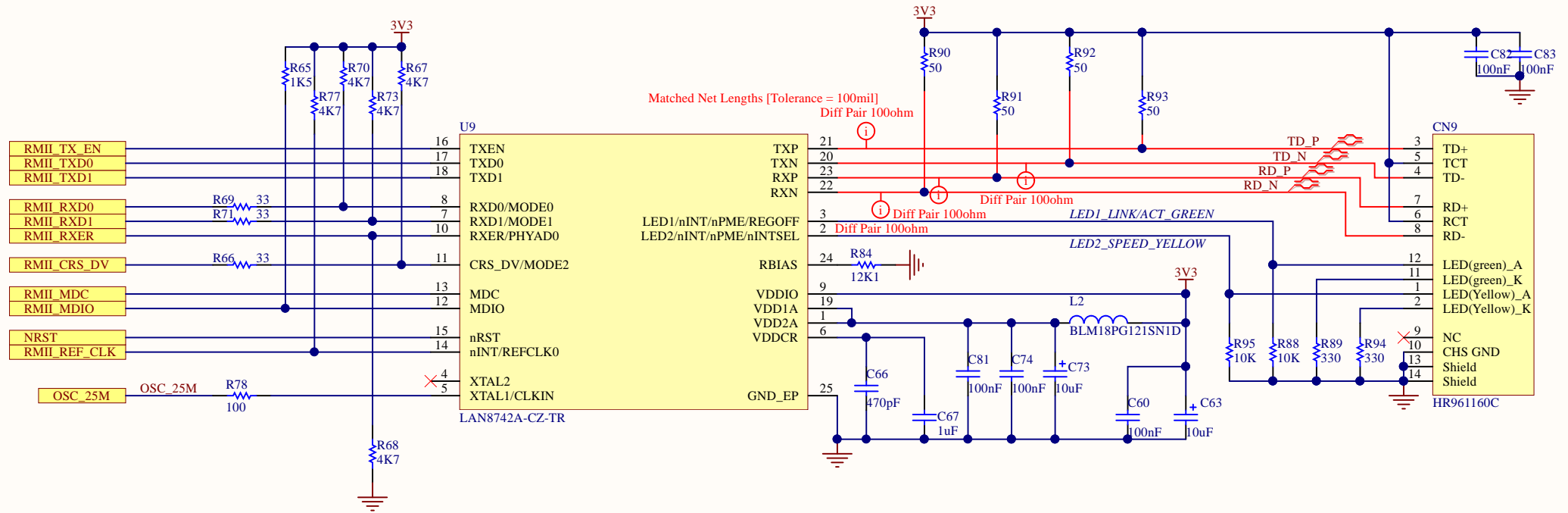
Arduino UNO connector

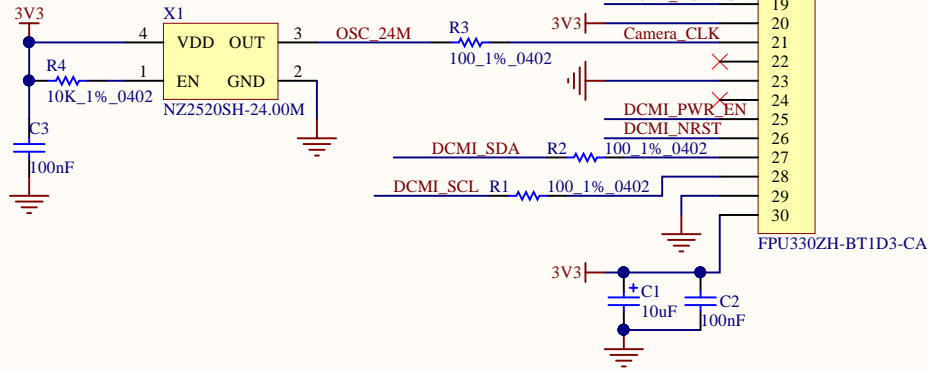
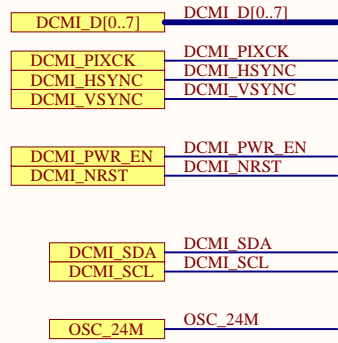


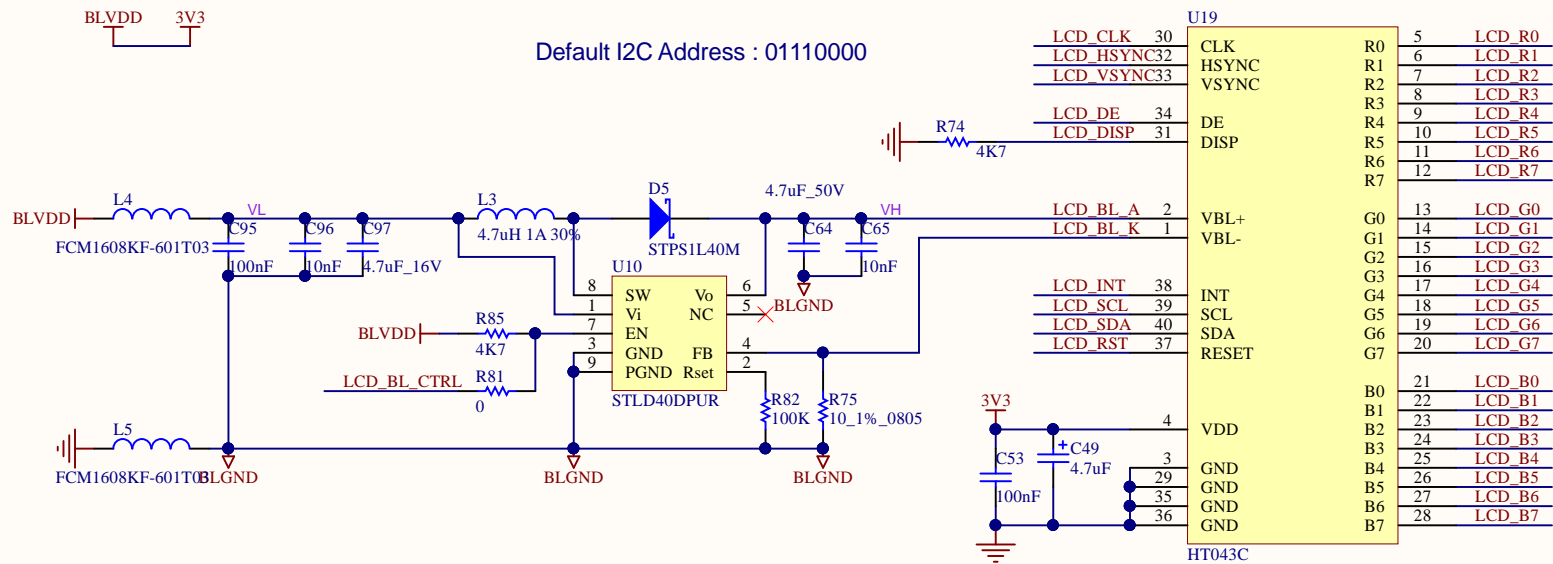








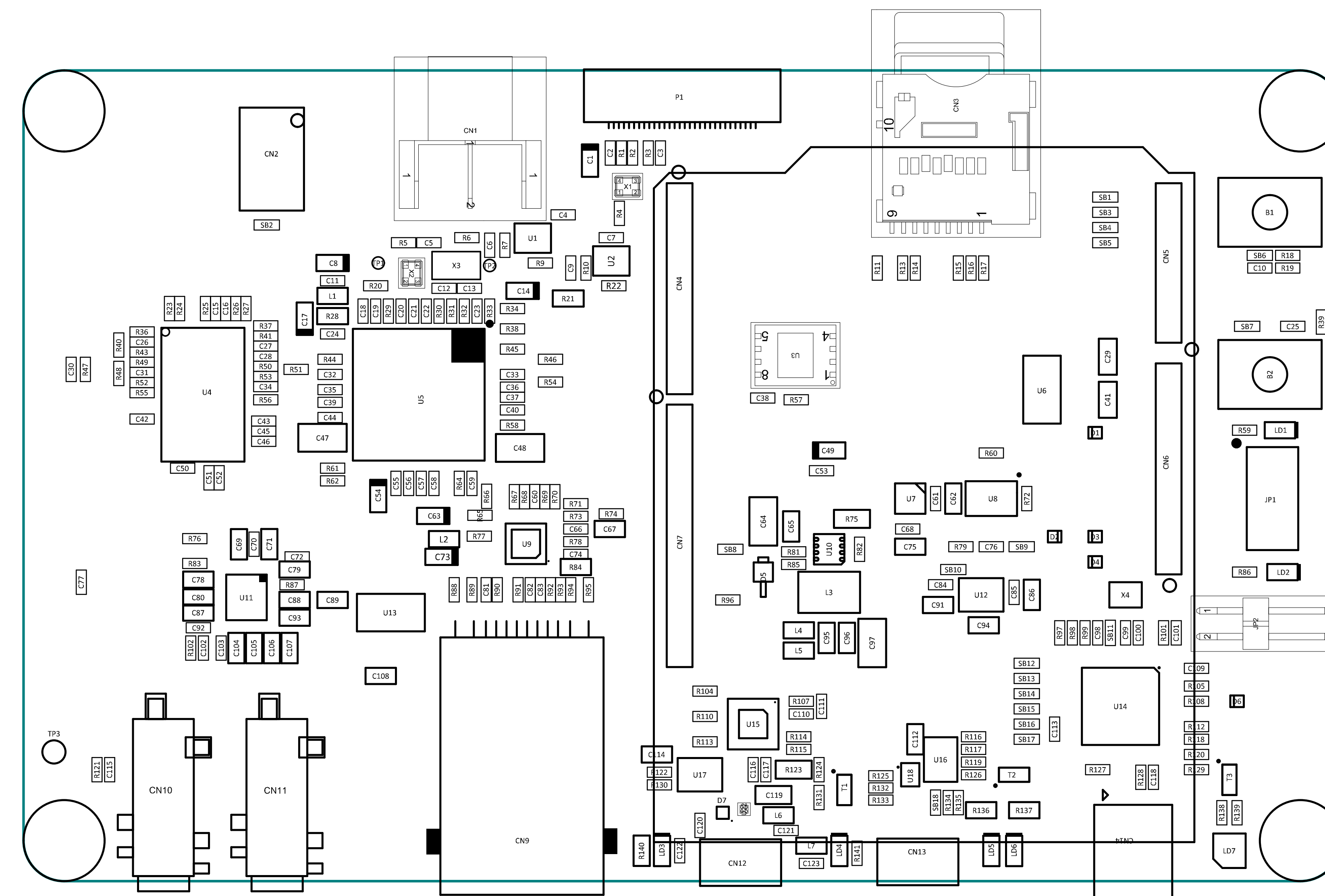




Backlight driver & PFC of LCD panel

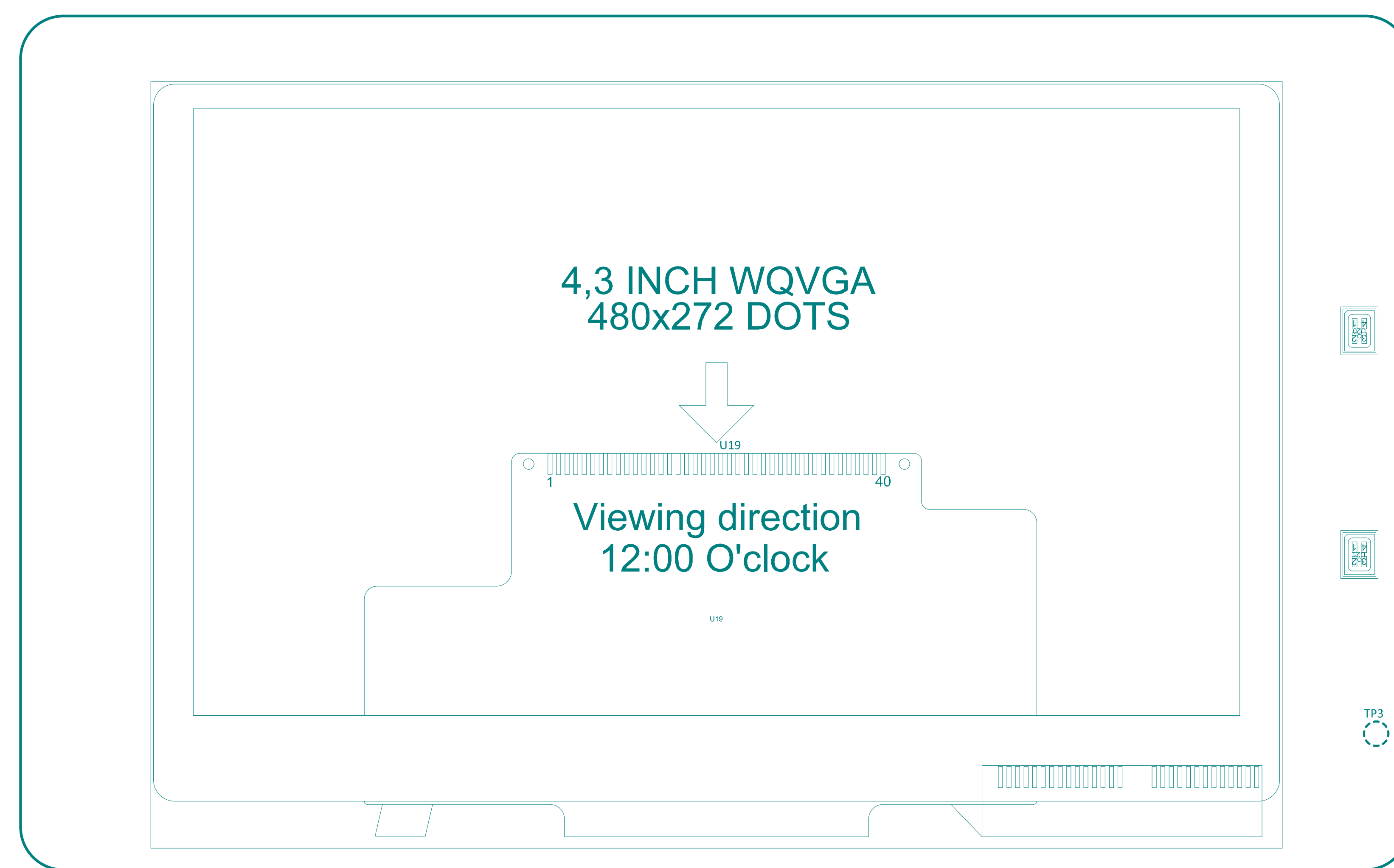
LCD_G[0..7]	LCD_G[0..7]
LCD_B[0..7]	LCD_B[0..7]
LCD_R[0..7]	LCD_R[0..7]
LCD_BL_CTRL	LCD_BL_CTRL
LCD_CLK	LCD_CLK
LCD_HSYNC	LCD_HSYNC
LCD_VSYNC	LCD_VSYNC
LCD_DE	LCD_DE
LCD_DISP	LCD_DISP
LCD_INT	LCD_INT
LCD_RST	LCD_RST
LCD_SCL	LCD_SCL
LCD_SDA	LCD_SDA


LCD_CLK	30	CLK	R0	5	LCD_R0
LCD_HSYNC	32	HSYNC	R1	6	LCD_R1
LCD_VSYNC	33	VSYNC	R2	7	LCD_R2
LCD_DE	34	DE	R3	8	LCD_R3
LCD_DISP	31	DISP	R4	9	LCD_R4
			R5	10	LCD_R5
			R6	11	LCD_R6
			R7	12	LCD_R7
LCD_BL_A	2	VBL+	G0	13	LCD_G0
LCD_BL_K	1	VBL-	G1	14	LCD_G1
			G2	15	LCD_G2
			G3	16	LCD_G3
			G4	17	LCD_G4
			G5	18	LCD_G5
			G6	19	LCD_G6
			G7	20	LCD_G7
LCD_INT	38	INT	B0	21	LCD_B0
LCD_SCL	39	SCL	B1	22	LCD_B1
LCD_SDA	40	SDA	B2	23	LCD_B2
LCD_RST	37	RESET	B3	24	LCD_B3
			B4	25	LCD_B4
			B5	26	LCD_B5
			B6	27	LCD_B6
			B7	28	LCD_B7



1 2 3 4 5 6 7 8

A
B
C
D
E
F



Revision		DESCRIPTION		COMPAGNY	PCB DESIGNER	16-04-2015	DATE	CHECKED BY
		TITLE Carte STM32F746G-DISCOVERY						
		REF. MB1191B	LAYER Assembly Bottom		GERBER			
Ce document est la propriété de STMICROELECTRONICS et ne peut être reproduit ou transmis sans son autorisation écrite. This document is the property of STMICROELECTRONICS and shall not be reproduced nor transmitted without written approval.								A4

1 2 3 4 5 6 7 8