

# STM32H7xxI-Eval

MB1246

## Table of contents

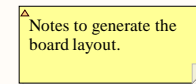
Sheet 1: Project overview (this page)
Sheet 2: Top
Sheet 3: STM32 microcontroller I/Os
Sheet 4: STM32 microcontroller power
Sheet 5: Memory
Sheet 6: Audio
Sheet 7: LCD Connectors
Sheet 8: Ethernet
Sheet 9: USB OTG
Sheet 10: USB OTG FS
Sheet 11: RS232
Sheet 12: FDCAN & QSPI
Sheet 13: SD card
Sheet 14: Peripherals
Sheet 15: Extension connectors
Sheet 16: ST_Link_V3
Sheet 15: MFX
Sheet 15: JTAG & Trace

## Legend

General comment such as function title, configuration, ...

Text to be added to silkscreen.

Warning text.



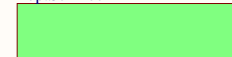
## Open Platform License Agreement

The Open Platform License Agreement (“Agreement”) is a binding legal contract between you (“You”) and STMicroelectronics International N.V. (“ST”), a company incorporated under the laws of the Netherlands acting for the purpose of this Agreement through its Swiss branch 39, Chemin du Champ des Filles, 1228 Plan-les-Ouates, Geneva, Switzerland.

By using the enclosed reference designs, schematics, PC board layouts, and documentation, in hardcopy or CAD tool file format (collectively, the “Reference Material”), You are agreeing to be bound by the terms and conditions of this Agreement. Do not use the Reference Material until You have read and agreed to this Agreement terms and conditions. The use of the Reference Material automatically implies the acceptance of the Agreement terms and conditions.

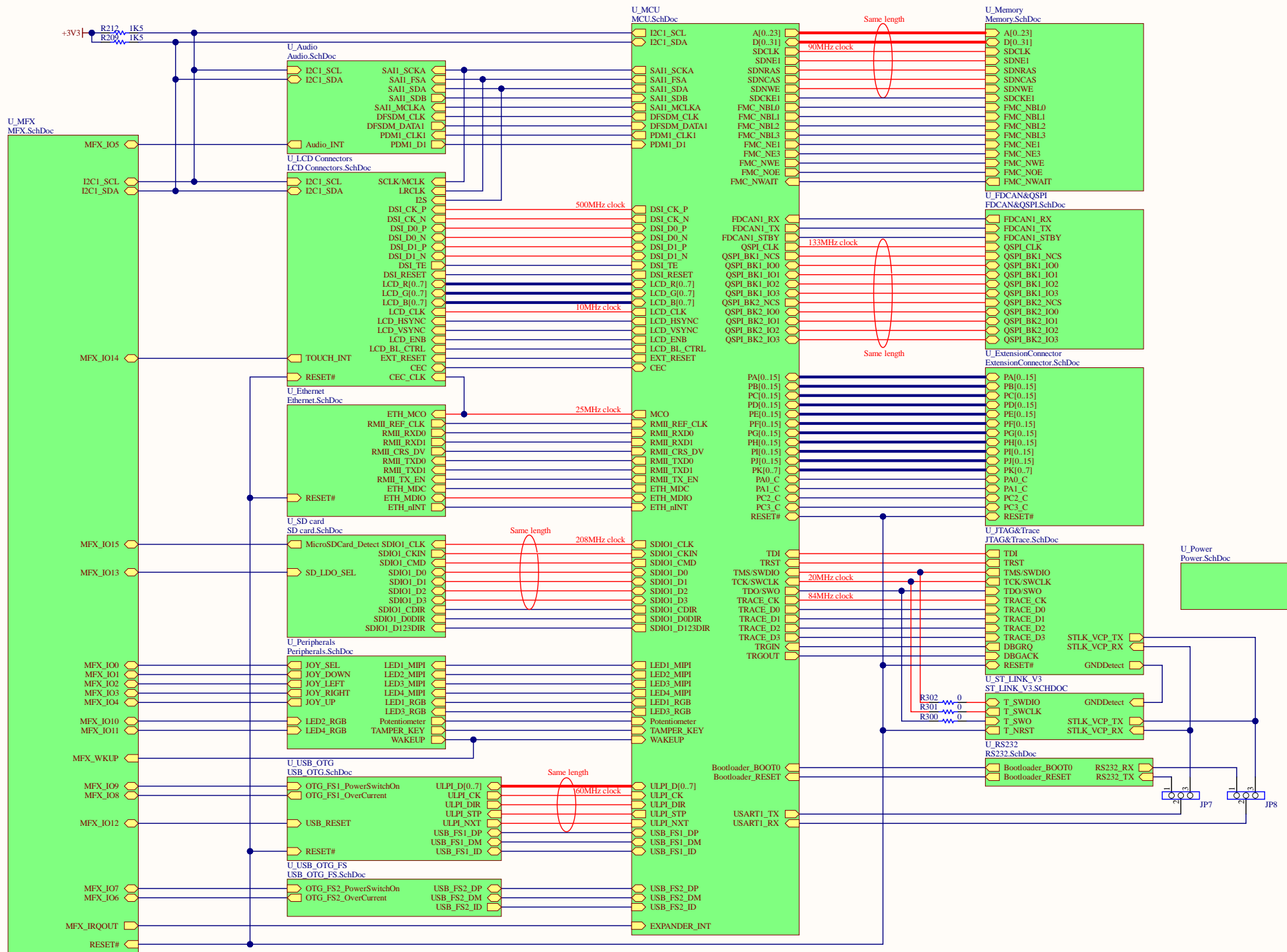
The complete Open Platform License Agreement can be found on [www.st.com/opla](http://www.st.com/opla).

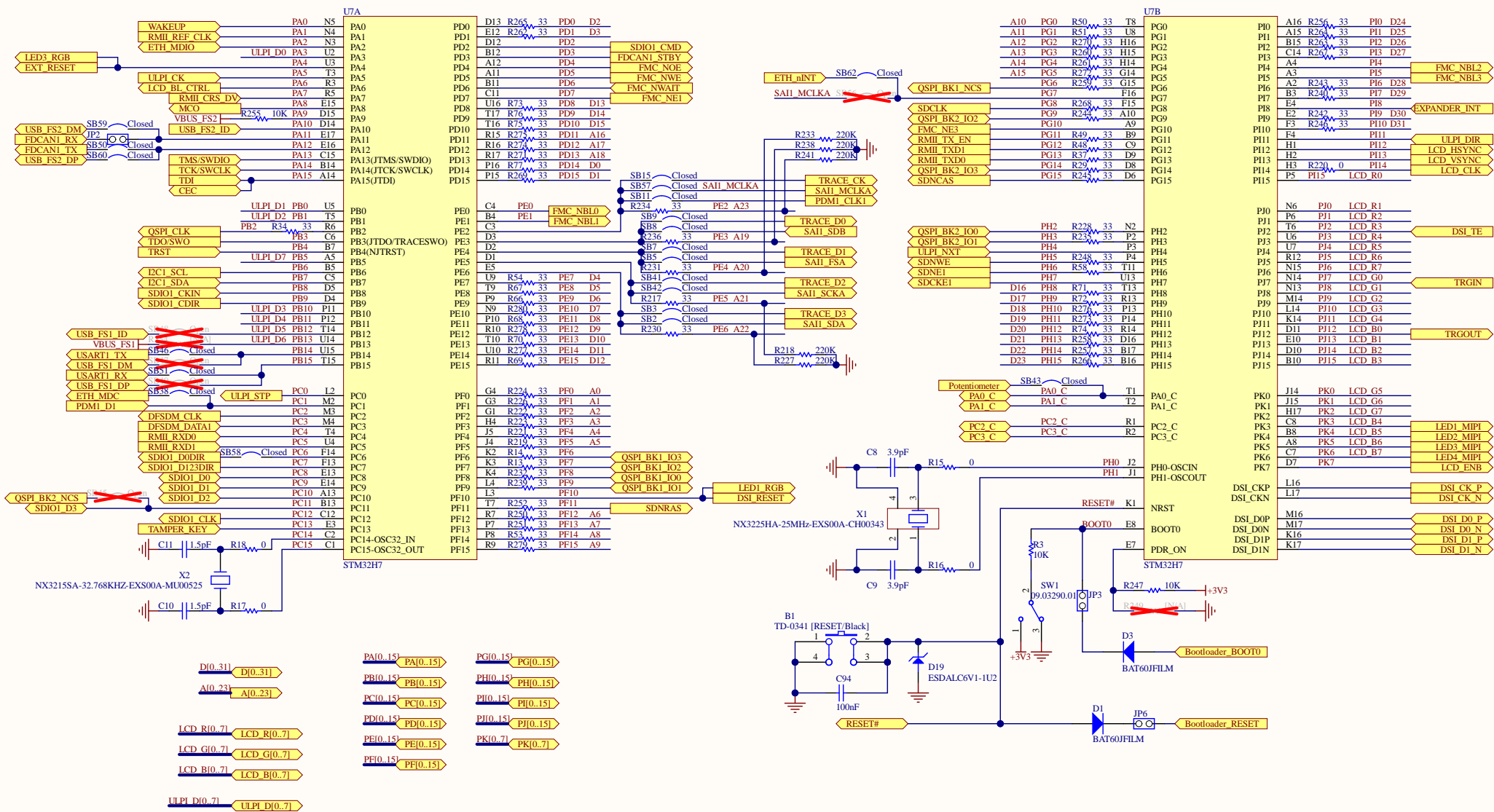
U\_Top  
Top.SchDoc



Title: <b>Project overview</b>		
Project: <b>STM32H7xxI-Eval</b>		
Variant: <b>H753</b>		
Revision: <b>E-02</b>	Reference: <b>MB1246</b>	
Size: <b>A4</b>	Date: <b>13/02/2019</b>	Sheet: <b>1</b> of <b>18</b>

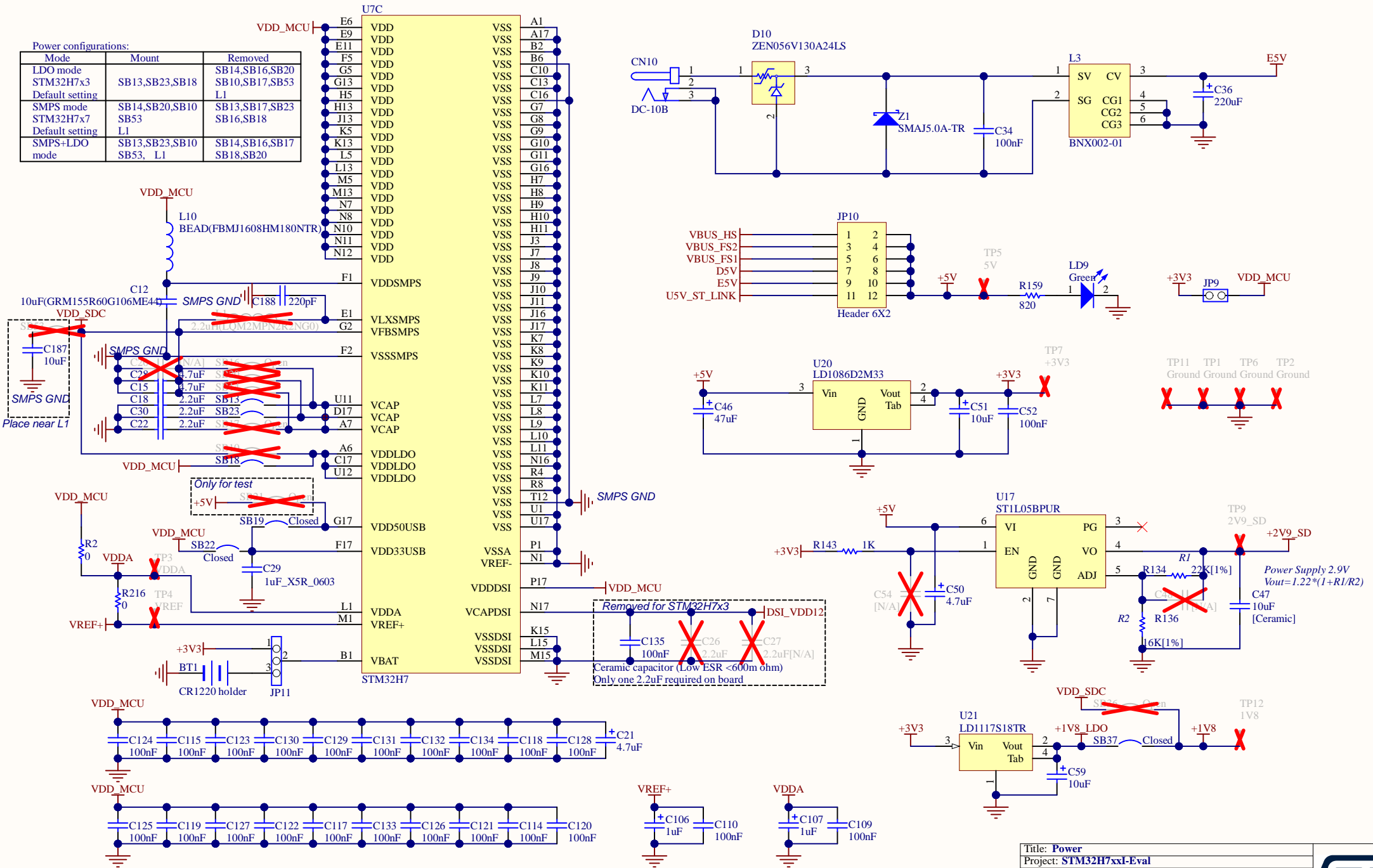


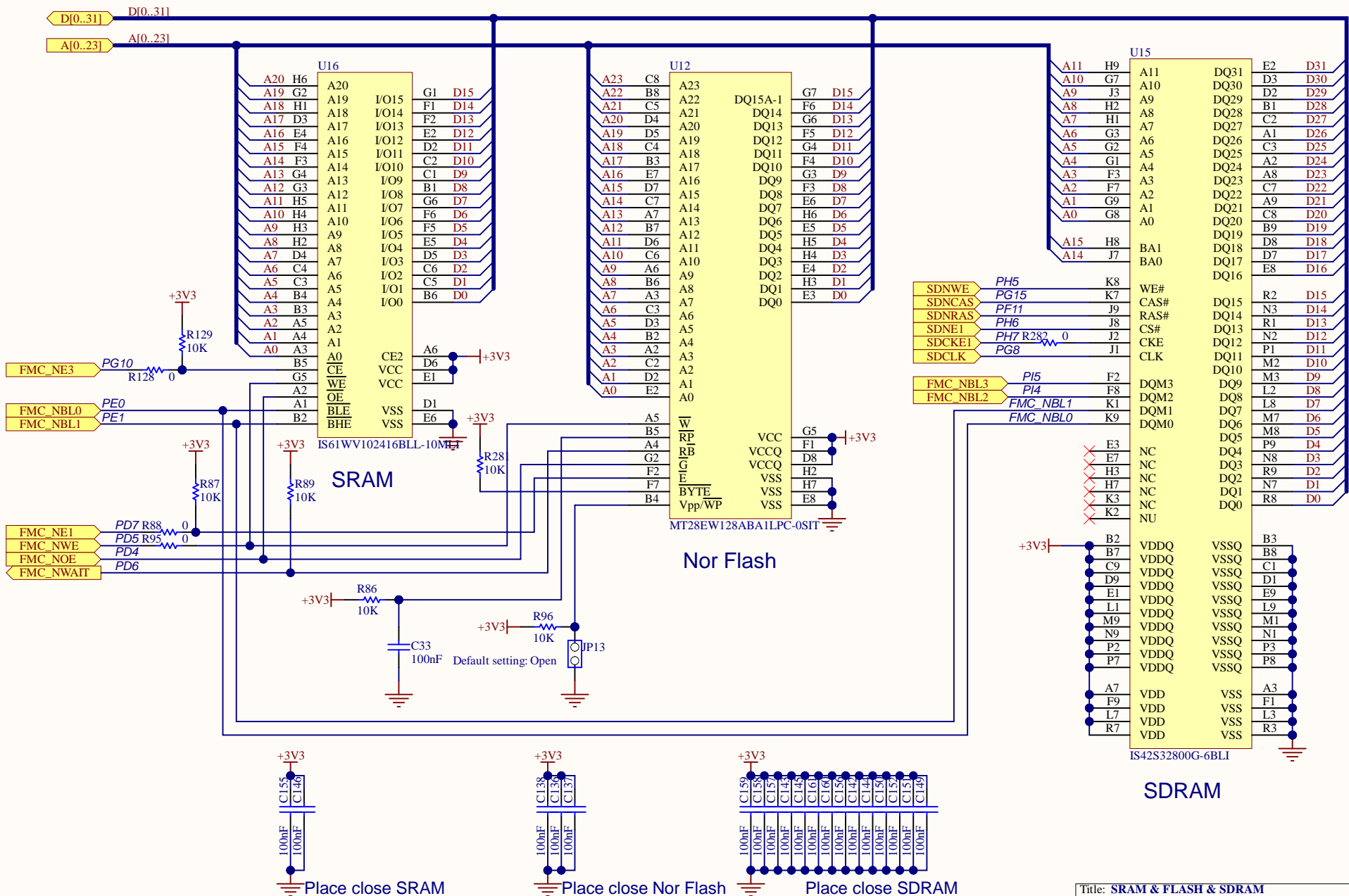




Power configurations:

Mode	Mount	Removed
LDO mode		SB14,SB16,SB20
STM32H7x3	SB13,SB23,SB18	SB10,SB17,SB53
Default setting	L1	
SMPS mode	SB14,SB20,SB10	SB13,SB17,SB23
STM32H7x7	SB53	SB16,SB18
Default setting	L1	
SMPS+LDO mode	SB13,SB23,SB10	SB14,SB16,SB17
	SB53, L1	SB18,SB20





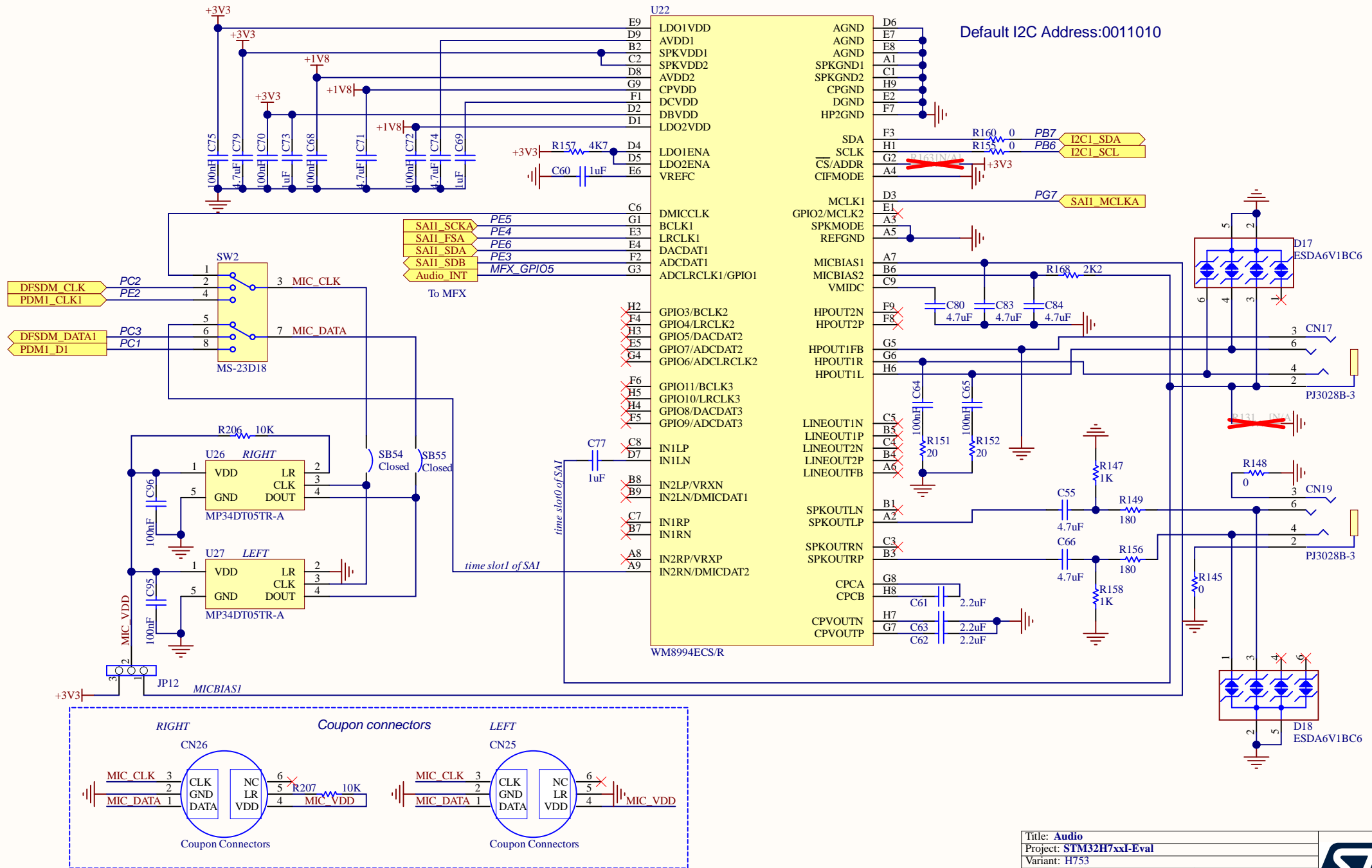
Place close SRAM

Place close Nor Flash

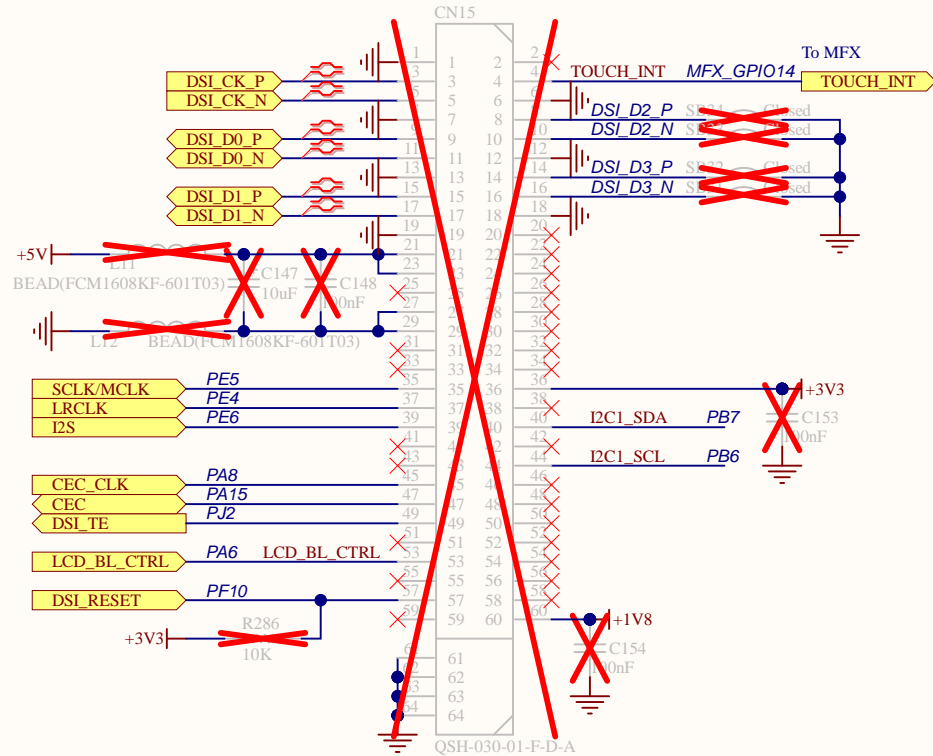
Place close SDRAM

Title: SRAM & FLASH & SDRAM	
Project: STM32H7xxI-Eval	
Variant: H753	
Revision: E-02	Reference: MB1246
Size: A4	Date: 13/02/2019
	Sheet: 5 of 18



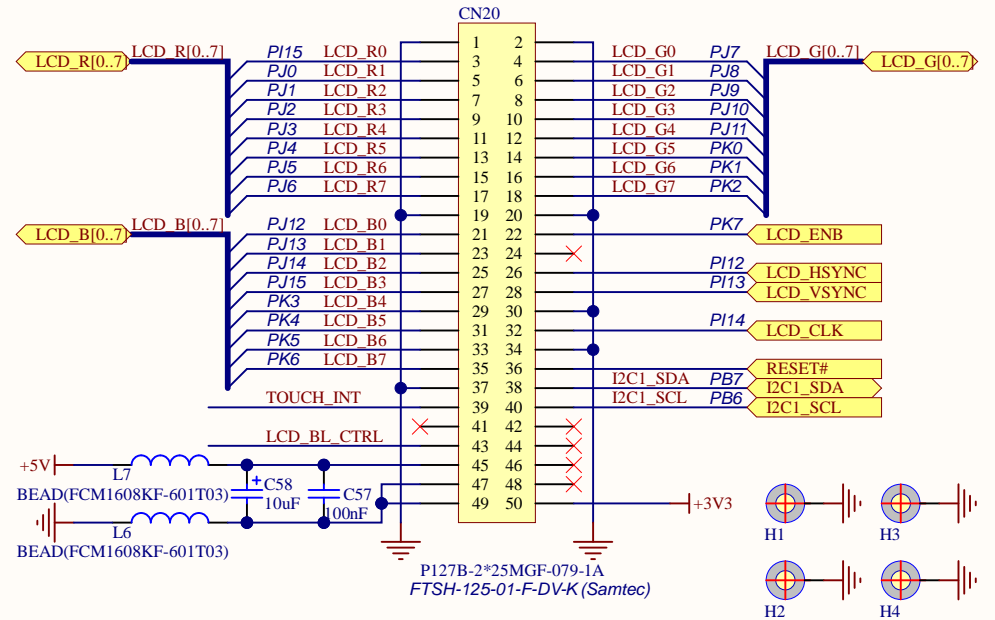


# DSI LCD

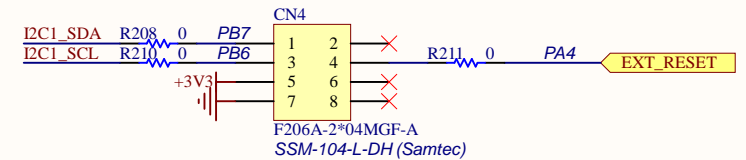


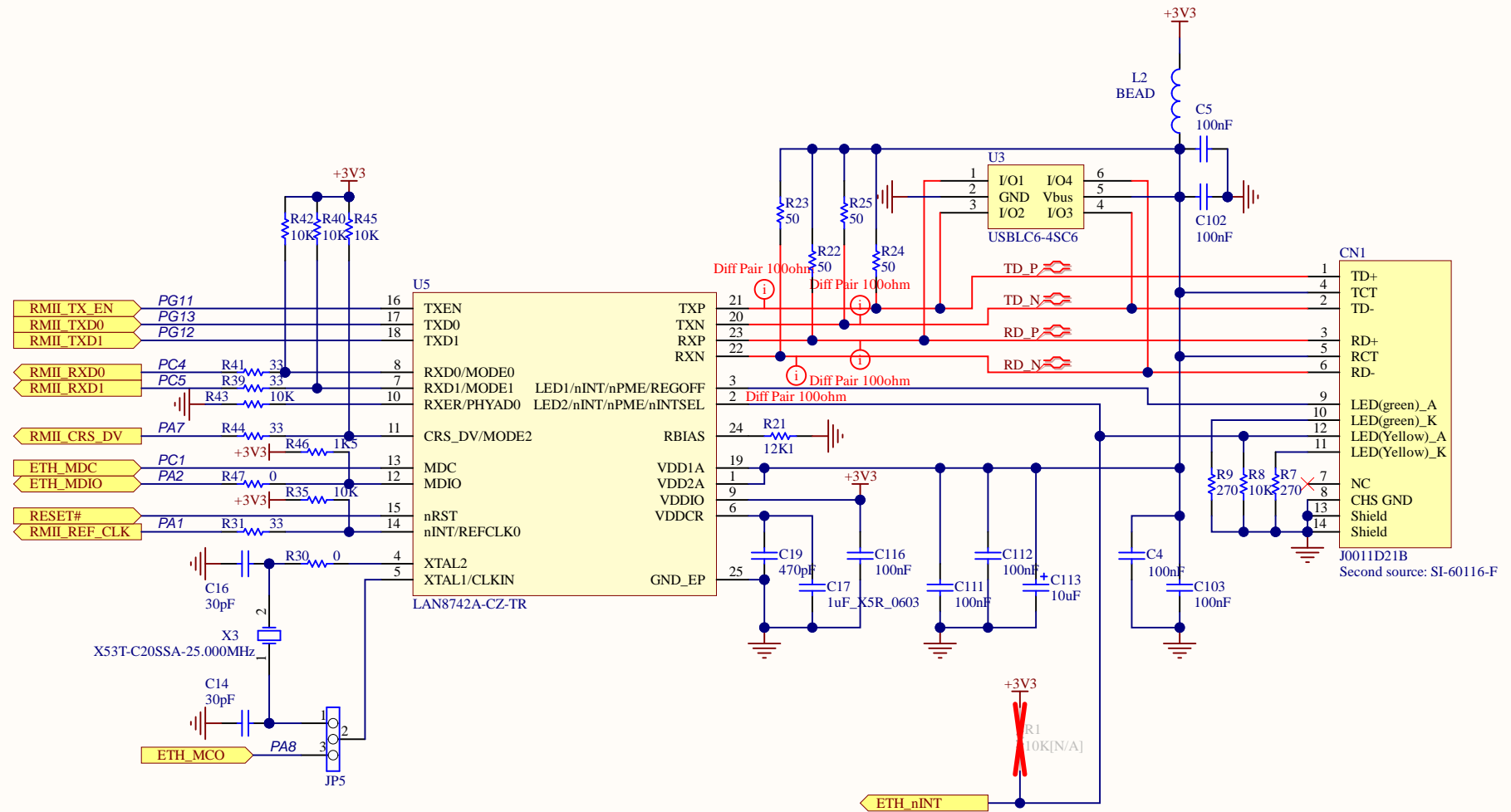
Removed for STM32H7x3

# RGB LCD

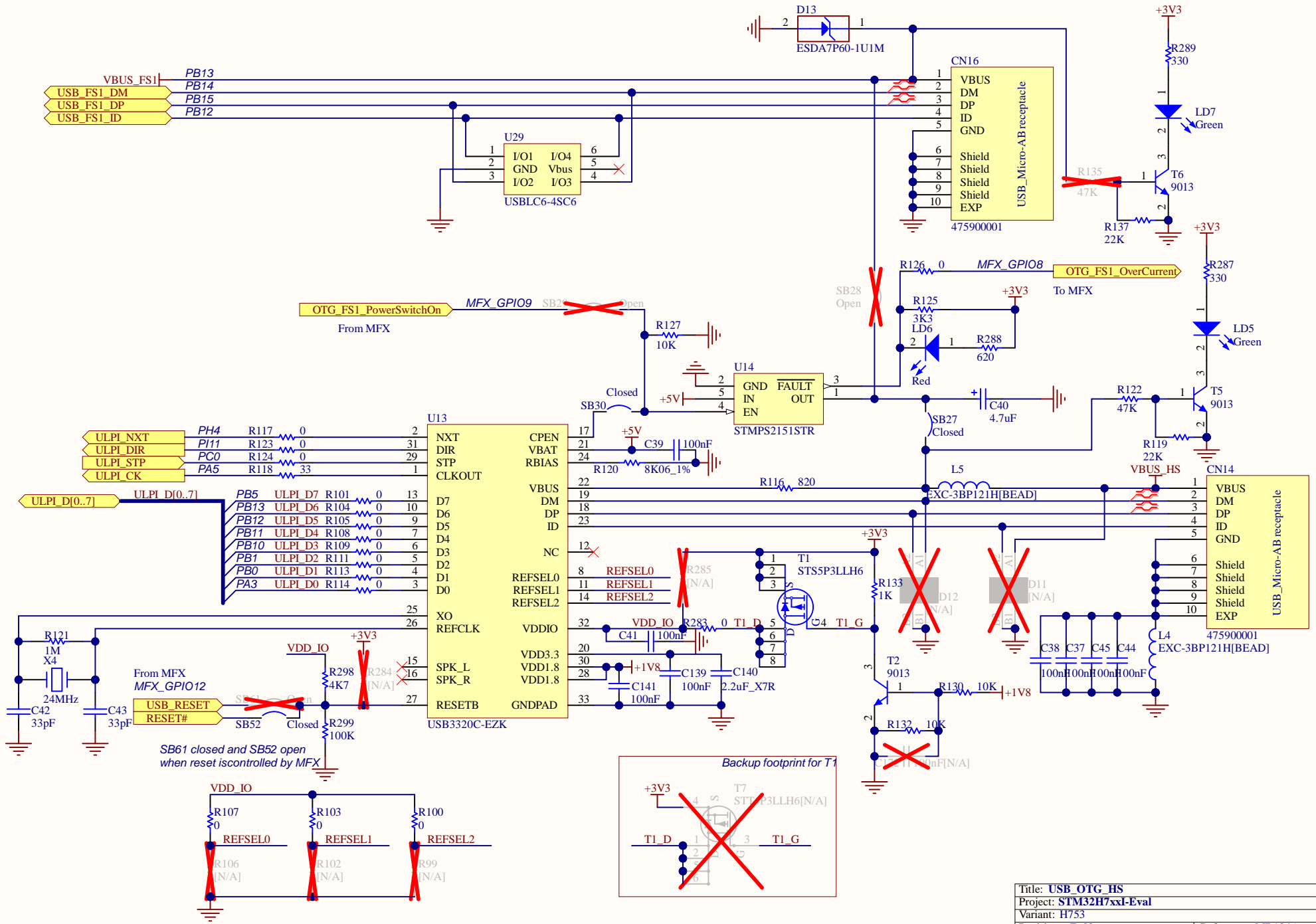


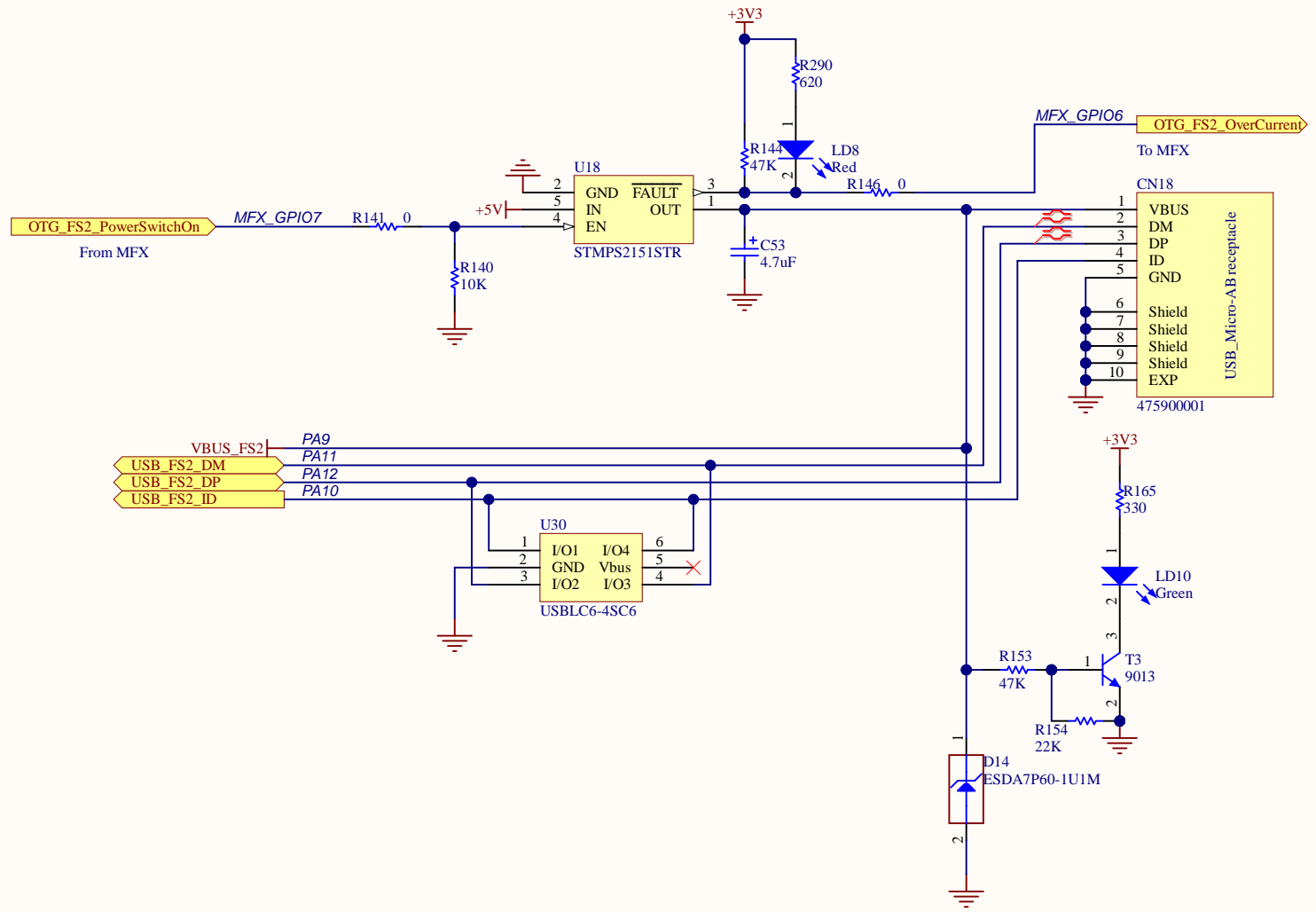
# I2C Connector

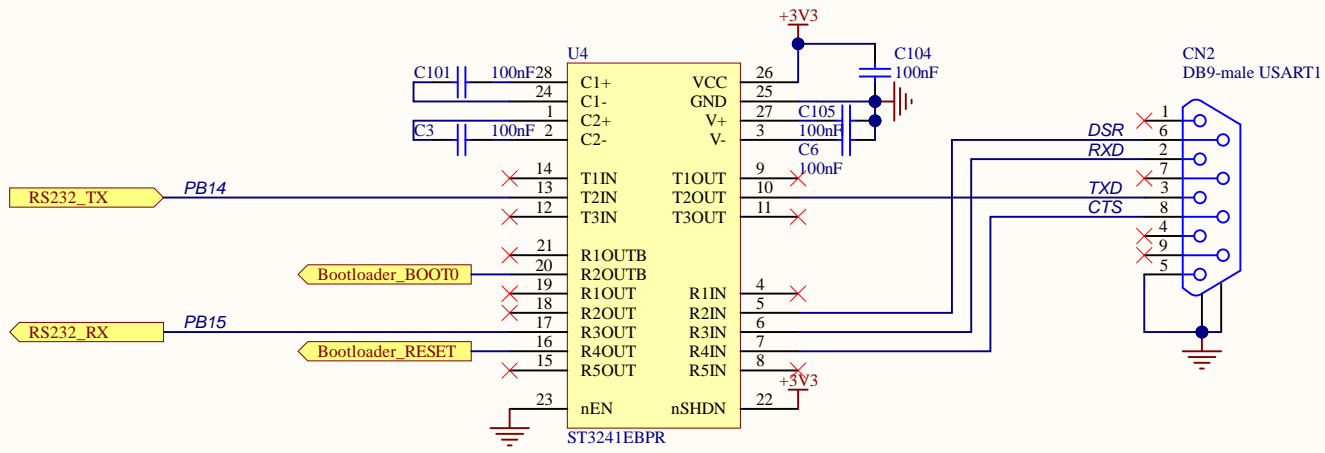










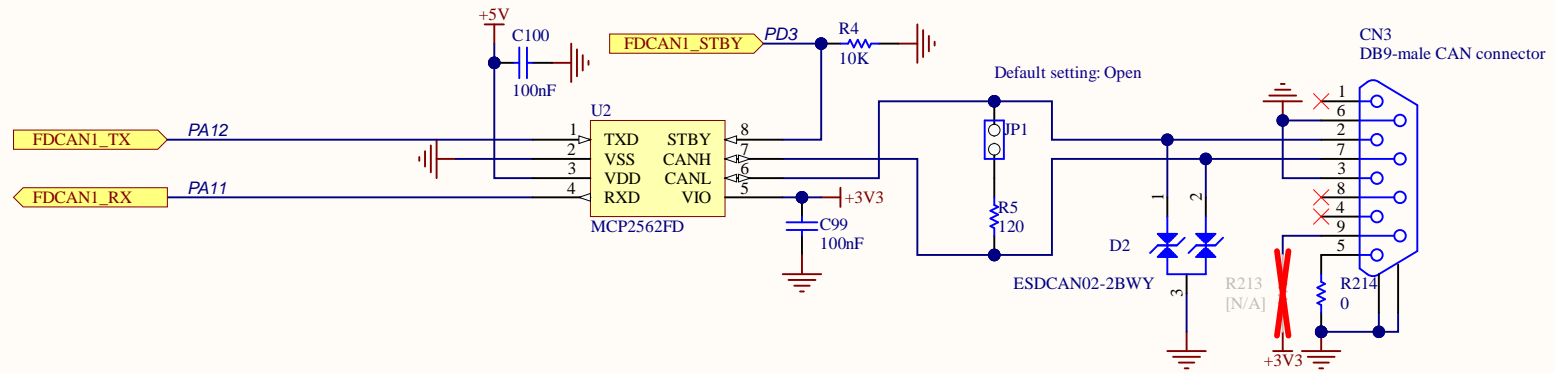


## RS232

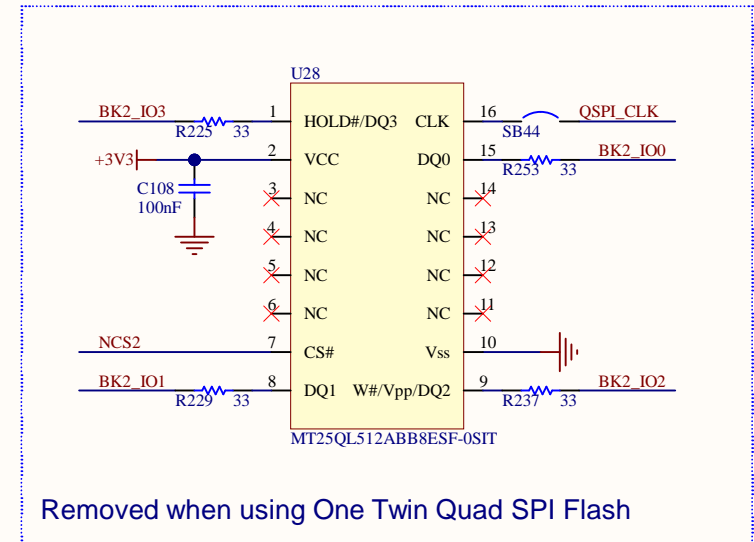
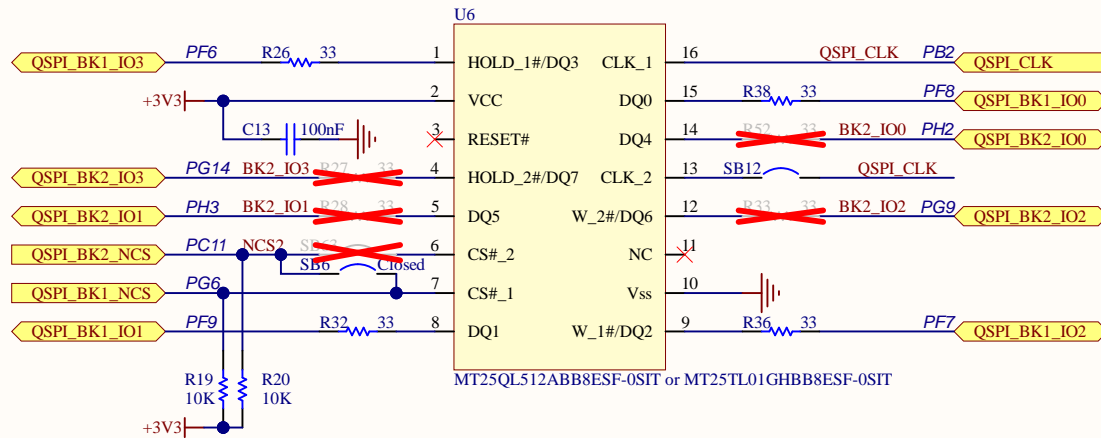
Title: <b>RS232</b>	
Project: <b>STM32H7xxI-Eval</b>	
Variant: <b>H753</b>	
Revision: <b>E-02</b>	Reference: <b>MB1246</b>
Size: <b>A4</b>	Date: <b>13/02/2019</b> Sheet: <b>11 of 18</b>



# FDCAN



# Twin Quad SPI Flash



Removed when using One Twin Quad SPI Flash

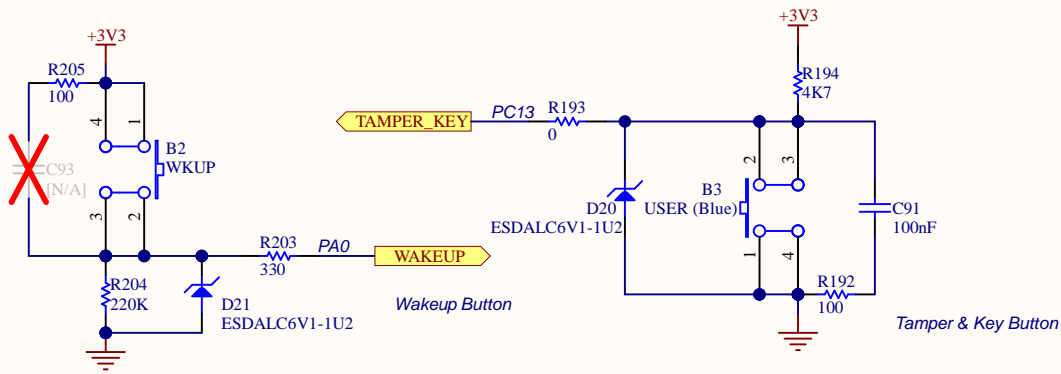
Twin Quad SPI Flash configurations:

Two Quad SPI Flash	U6:MT25QL512ABB8ESF-0SIT	U28:MT25QL512ABB8ESF-0SIT	R225/R229/R237/R253, SB44, C108 ONR27/R28/R33/R52, SB12/SB63 OFF
One Twin Quad SPI Flash	U6:MT25TL01GHBB8ESF-0SIT	U28:NA	R27/R28/R33/R52, SB12/SB63 ON R225/R229/R237/R253, SB44, C108 OFF

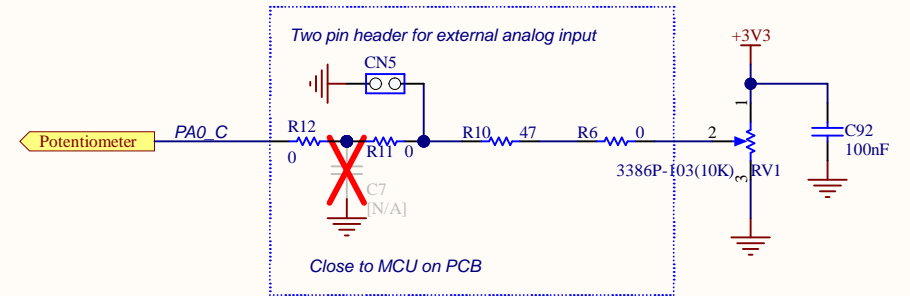




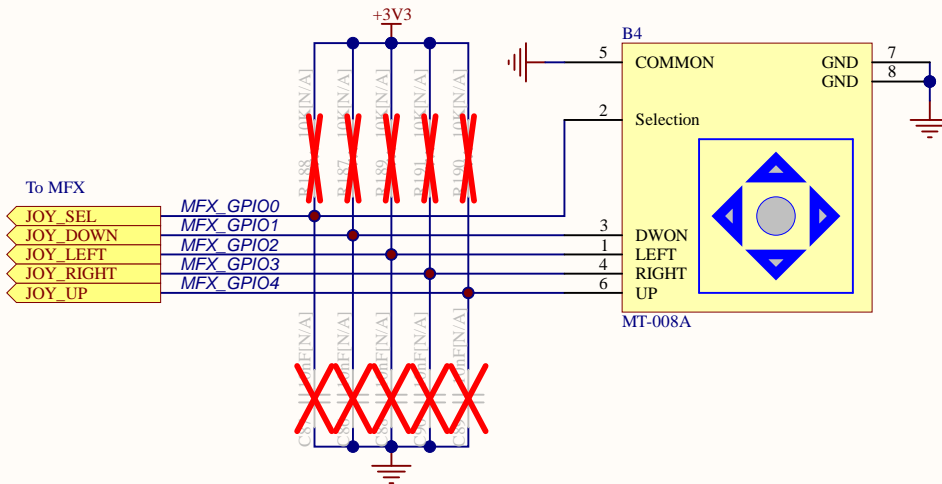
## Buttons



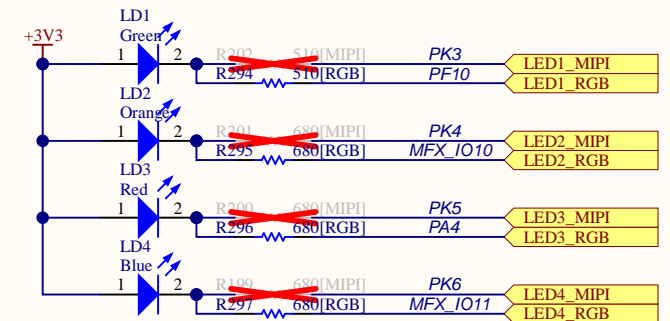
## Potentiometer

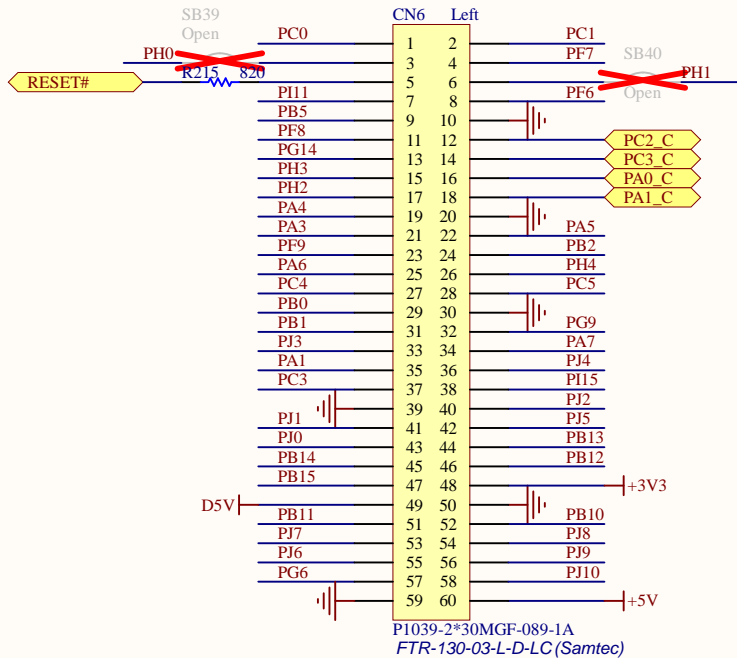


## Joystick

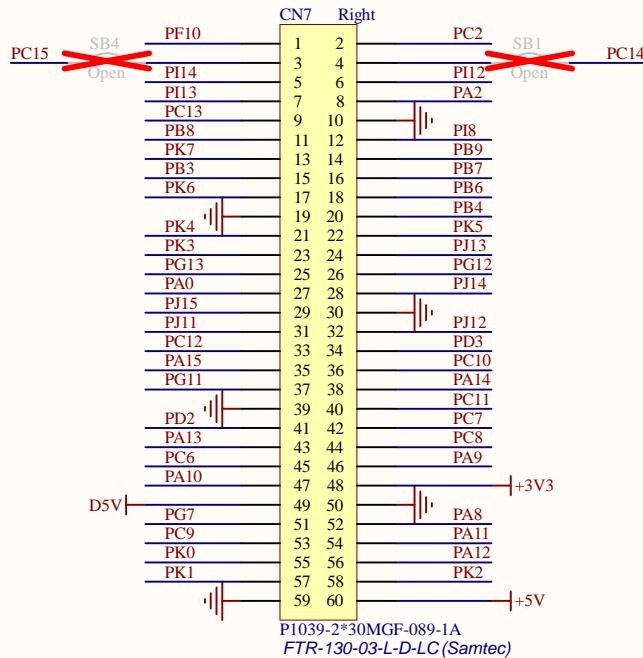


## LEDs

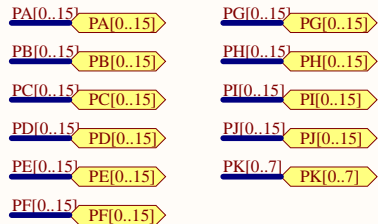




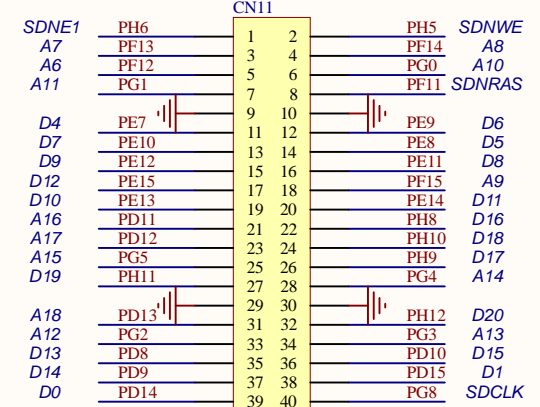
P1039-2\*30MGF-089-1A  
FTR-130-03-L-D-LC (Samtec)



P1039-2\*30MGF-089-1A  
FTR-130-03-L-D-LC (Samtec)

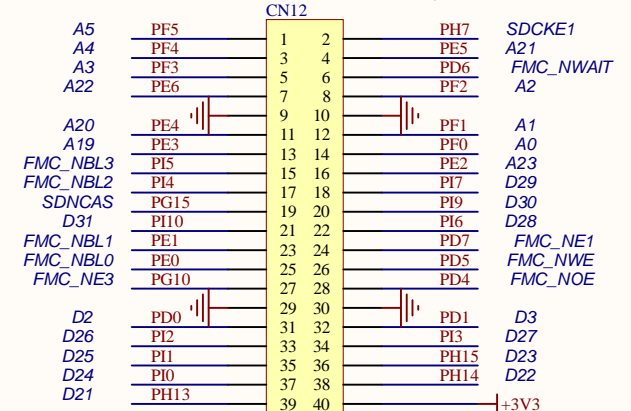


Place close Memory



P1039-2\*20MGF-089-1A  
FTR-120-03-L-D-LC (Samtec)

Place close Memory



P1039-2\*20MGF-089-1A  
FTR-120-03-L-D-LC (Samtec)



