

STM32L496G-DISCO

MB1261

Table of contents

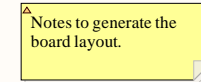
Sheet 1: Project overview (this page)
Sheet 2: Top
Sheet 3: Power
Sheet 4: Arduino Uno connector
Sheet 5: ST-LINK/V2-1
Sheet 6: QSPI Flash
Sheet 7: Peripherals
Sheet 8: USB_OTG_FS
Sheet 9: LCD Interface
Sheet 10: IDD measurement / MFX (Multi Function eXpander)
Sheet 11: MCU
Sheet 12: PSRAM
Sheet 13: Camera
Sheet 14: STMOD+ Interface
Sheet 15: Audio&DFSDM

Legend

General comment such as function title, configuration, ...

Text to be added to silkscreen.

Warning text.



Open Platform License Agreement

The Open Platform License Agreement (“Agreement”) is a binding legal contract between you (“You”) and STMicroelectronics International N.V. (“ST”), a company incorporated under the laws of the Netherlands acting for the purpose of this Agreement through its Swiss branch 39, Chemin du Champ des Filles, 1228 Plan-les-Ouates, Geneva, Switzerland.

By using the enclosed reference designs, schematics, PC board layouts, and documentation, in hardcopy or CAD tool file format (collectively, the “Reference Material”), You are agreeing to be bound by the terms and conditions of this Agreement. Do not use the Reference Material until You have read and agreed to this Agreement terms and conditions. The use of the Reference Material automatically implies the acceptance of the Agreement terms and conditions.

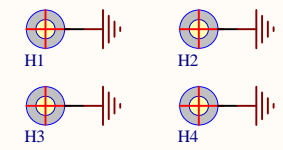
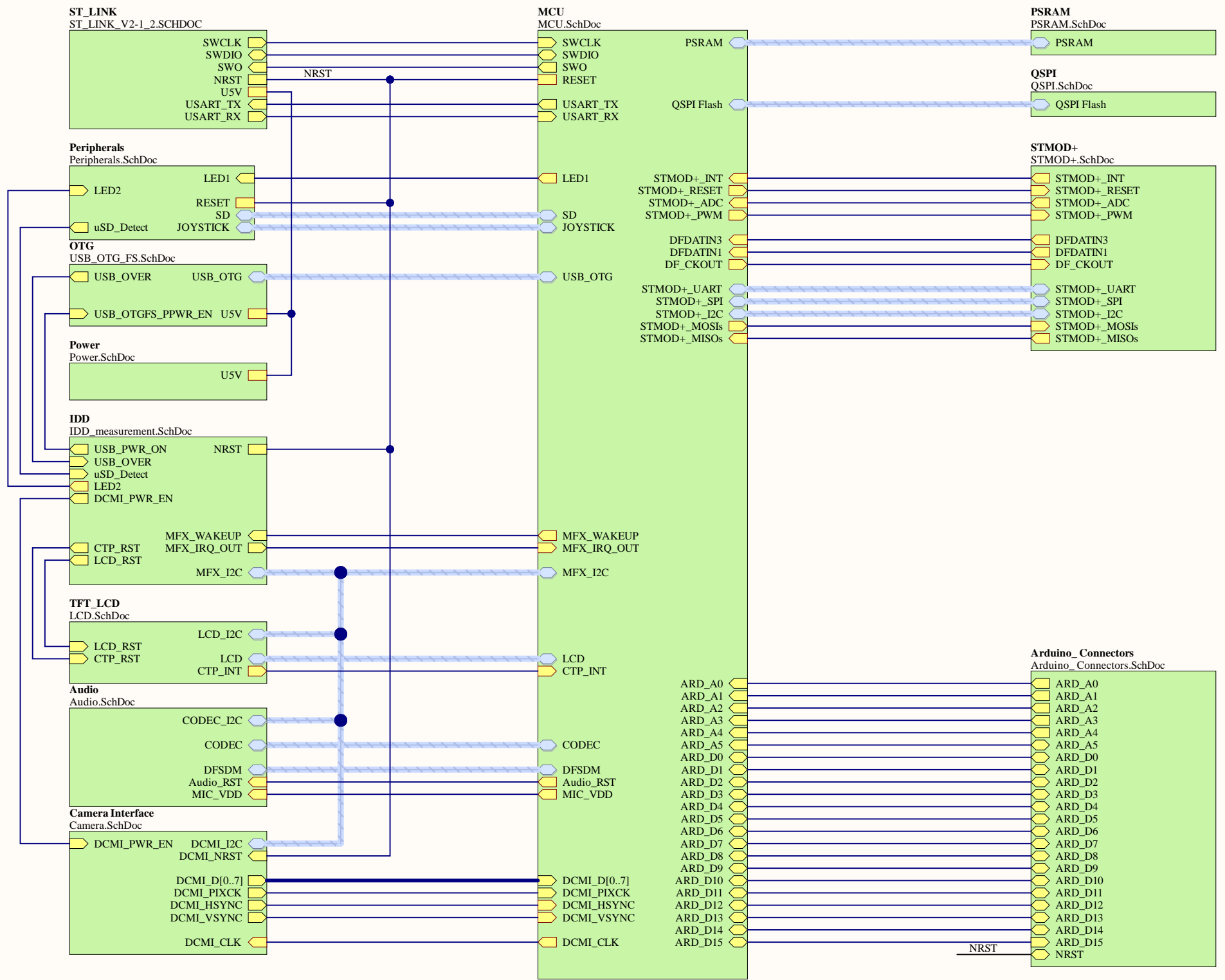
The complete Open Platform License Agreement can be found on www.st.com/opla.

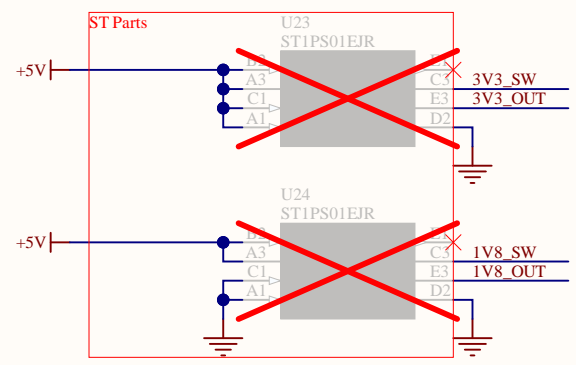
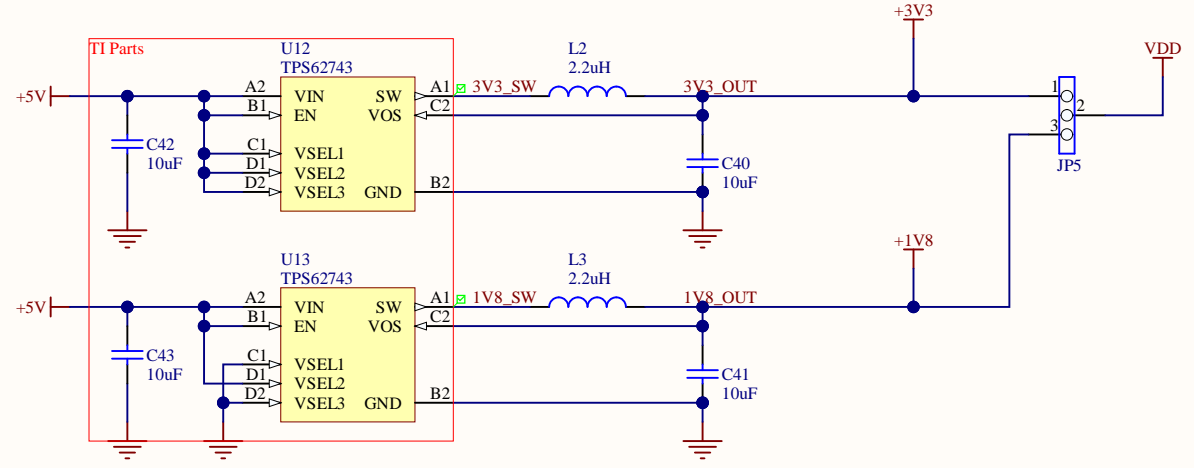
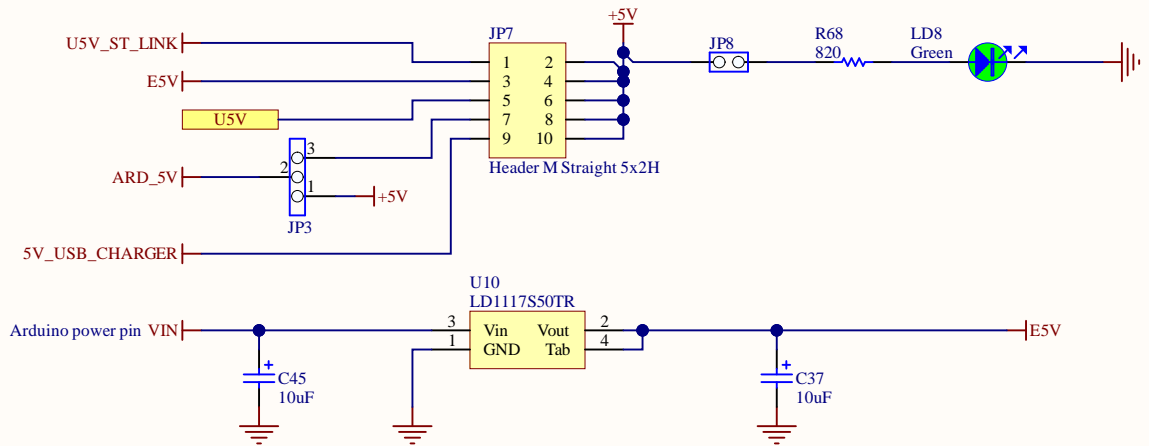
U_Top
Top.SchDoc



Title: Project overview		
Project: STM32L496G-DISCO		
Variant: CELL02		
Revision: B-07		Reference: MB1261
Size: A4	Date: 25/04/2024	Sheet: 1 of 15





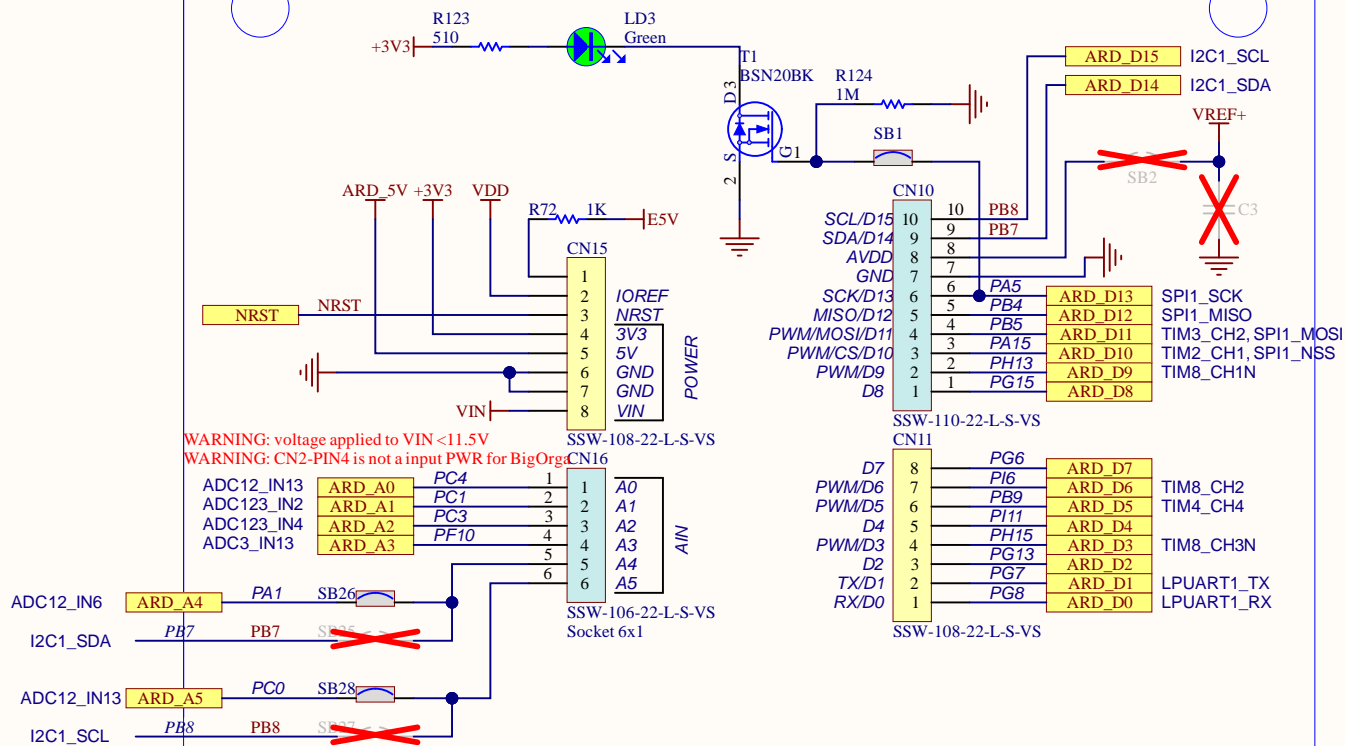


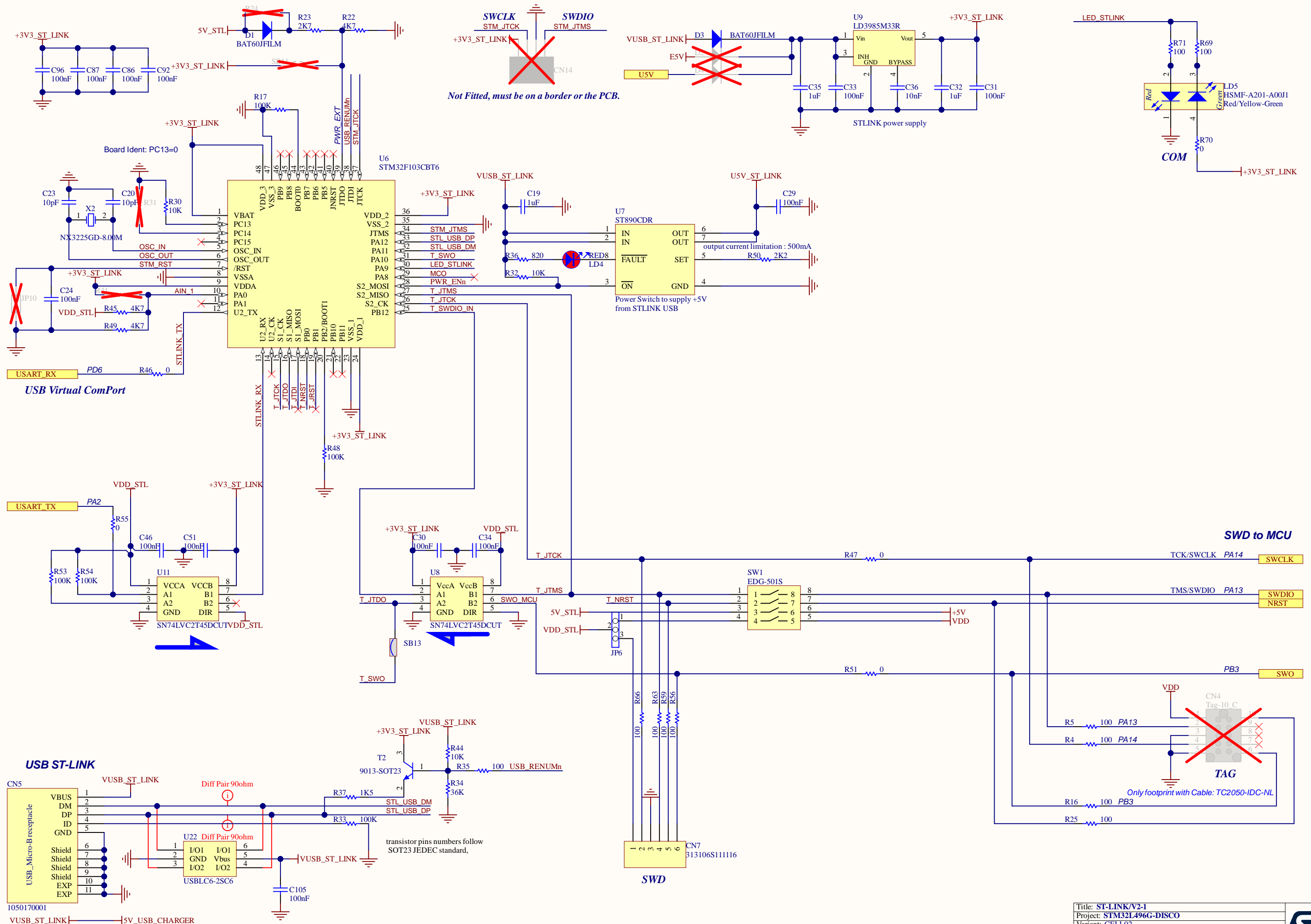
Choose TI parts U12,U13 or ST parts U23,U24 mount on the board

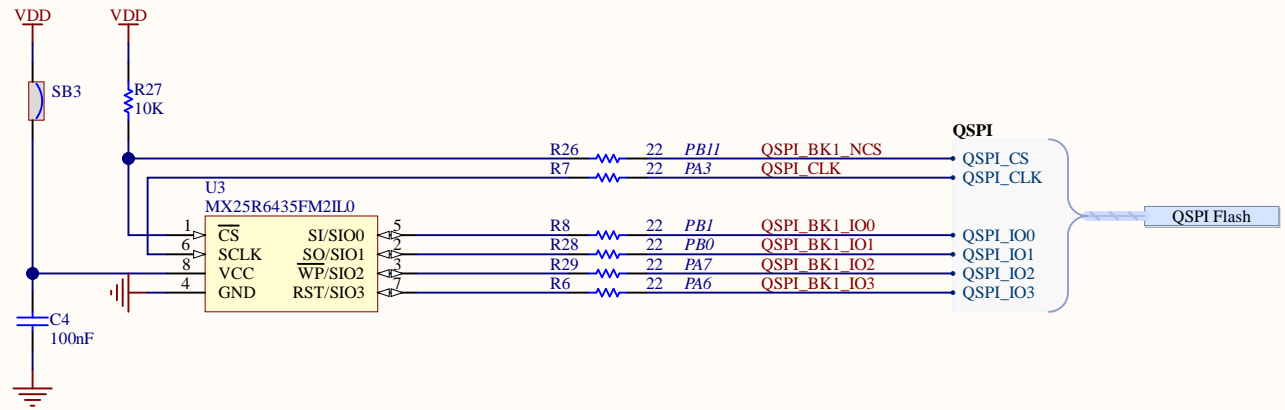
Title: Power	
Project: STM32L496G-DISCO	
Variant: CELL02	
Revision: B-07	Reference: MB1261
Size: A4	Sheet: 3 of 15
Date: 25/04/2024	

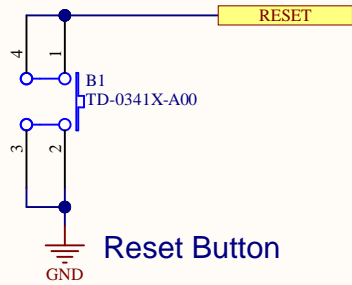


Arduino uno connector

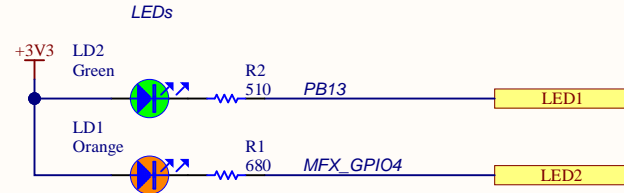






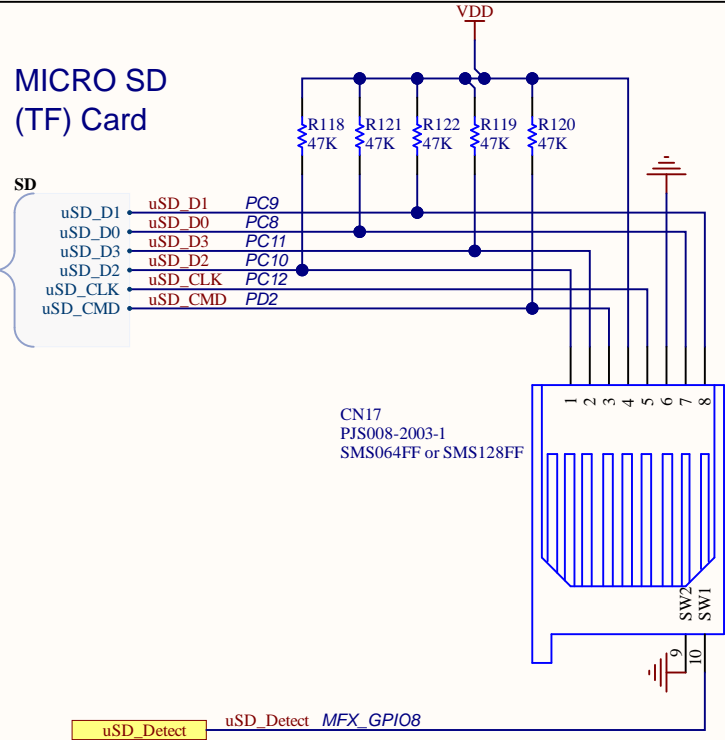


Reset Button

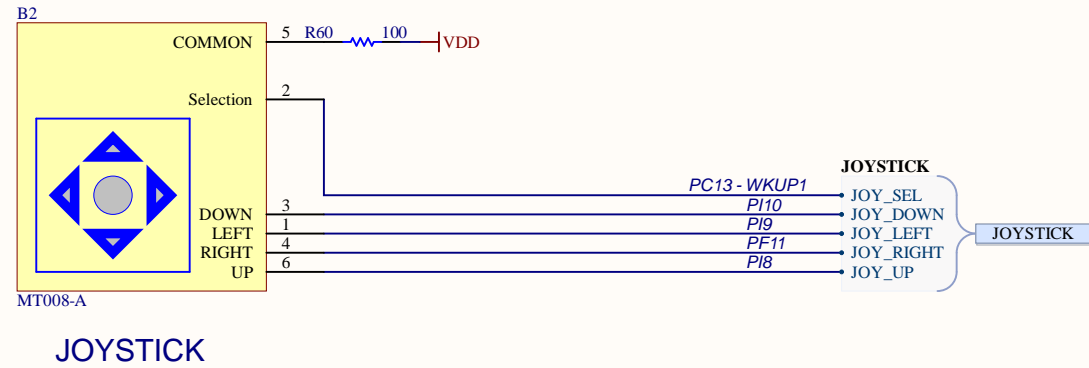


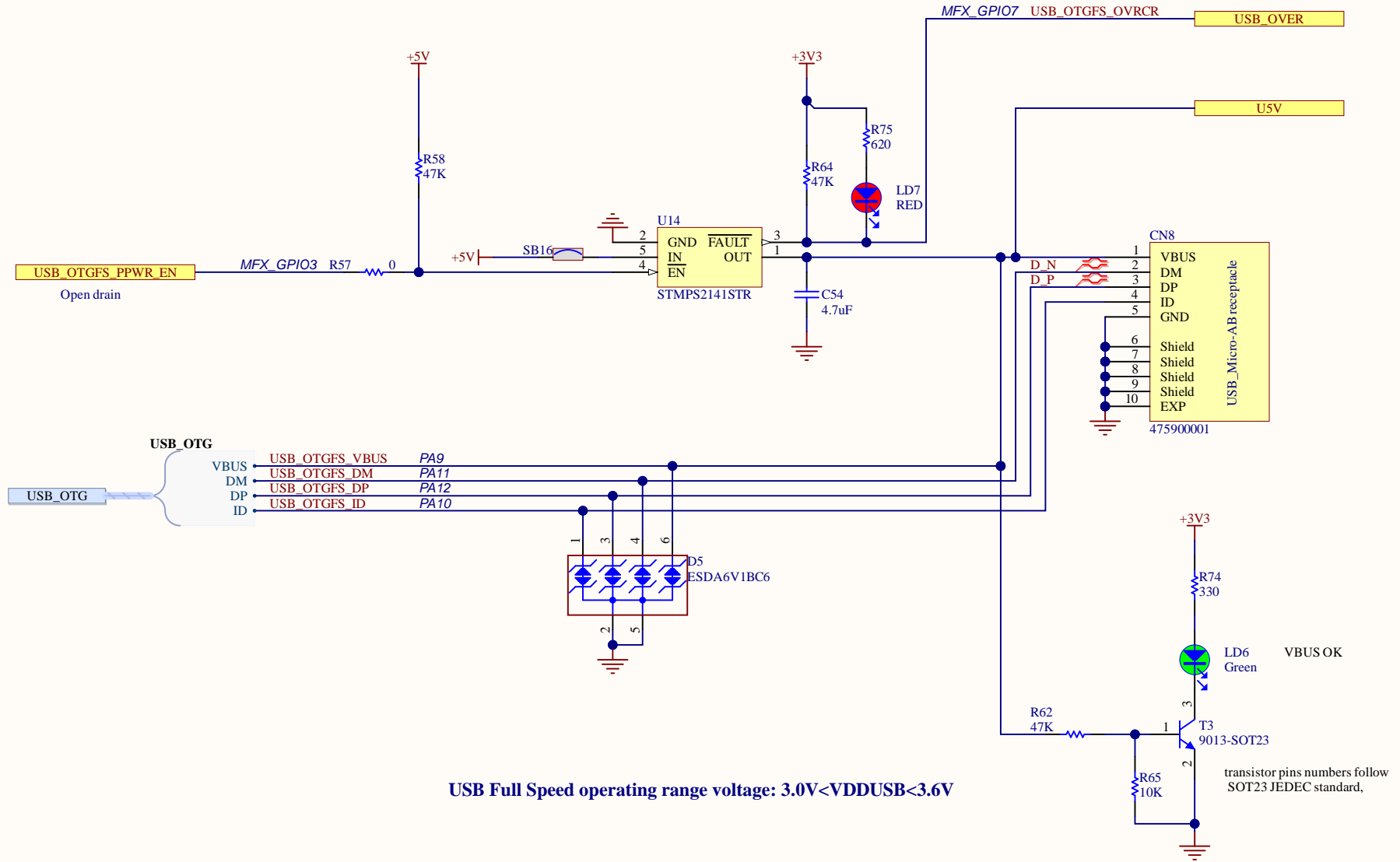
The 2 LEDs are top side

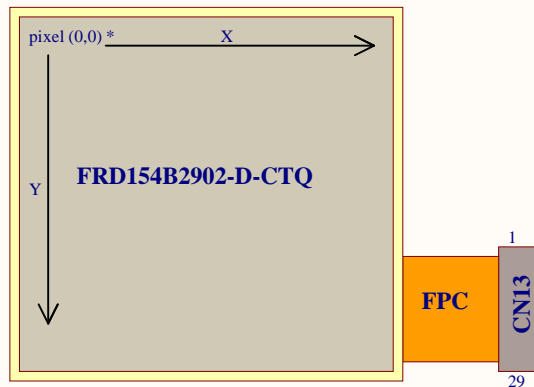
MICRO SD (TF) Card



SD can only works under 3V3

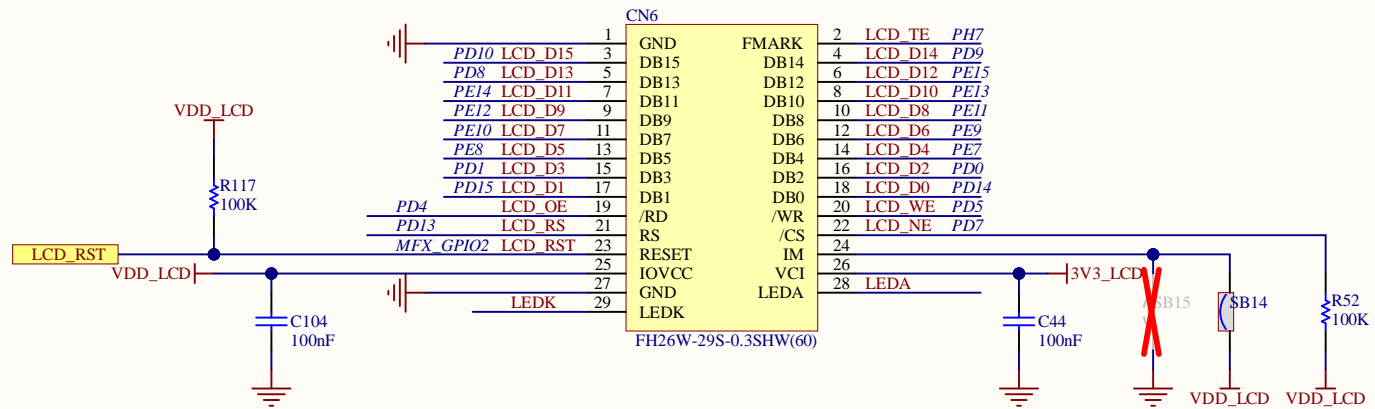
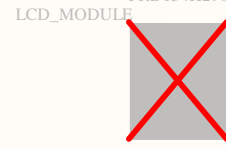




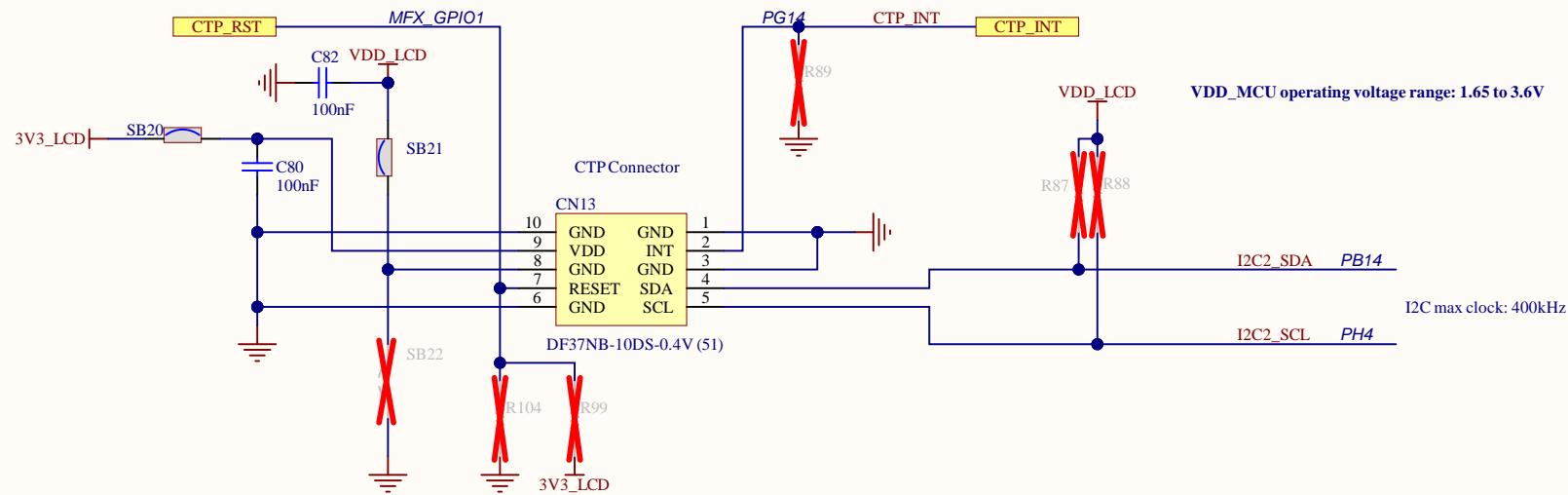


*: standard orientation. Rotations by 90, 180, 270 degrees possible by registers.

ZZ1
240x240 pixels TFT LCD
FRD154H29003-A-CTQ

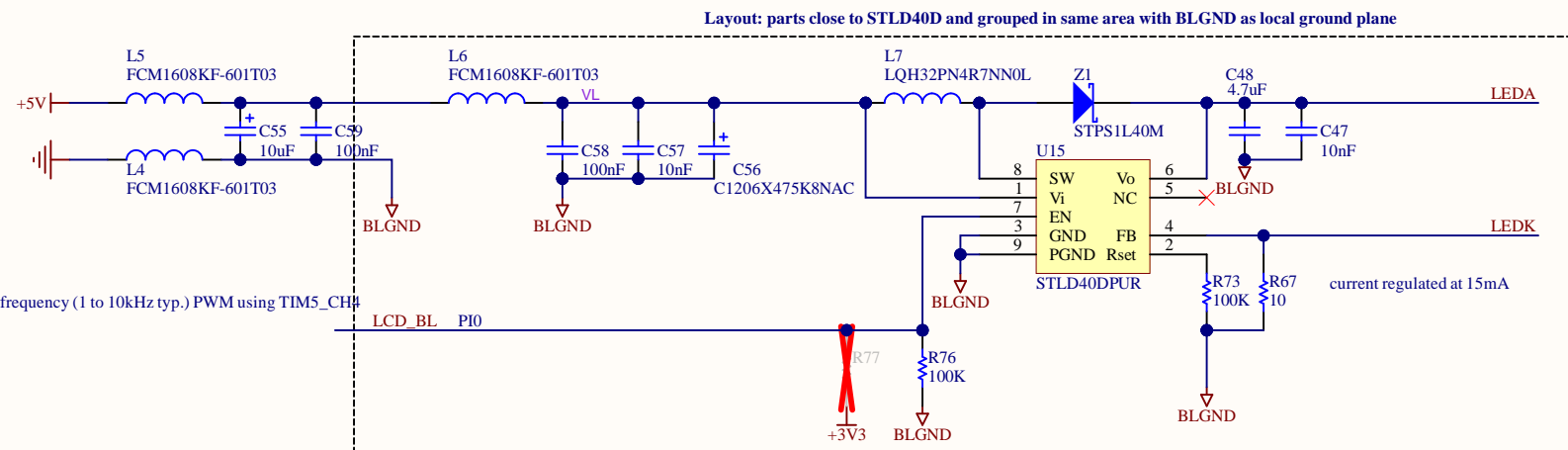
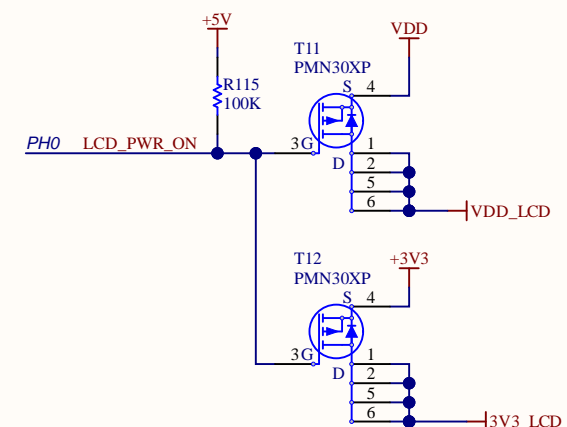


SB28 open and SB27 closed = IM high: LCD in 16bits mode
SB28 closed and SB27 opened = IMlow : LCD in 8bits mode

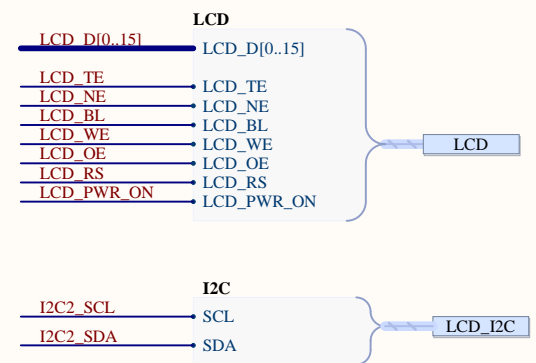


VDD_MCU operating voltage range: 1.65 to 3.6V

I2C max clock: 400kHz

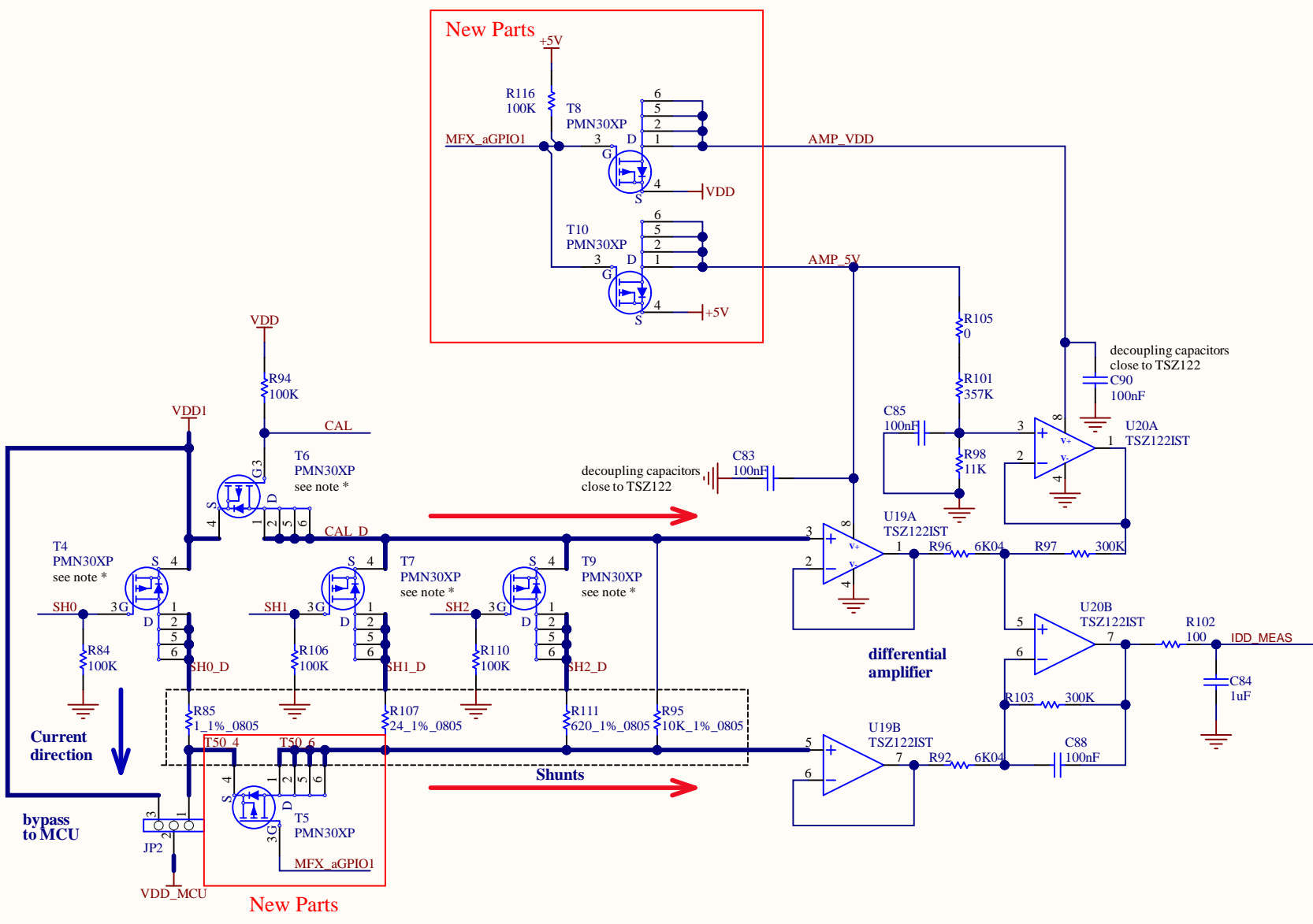
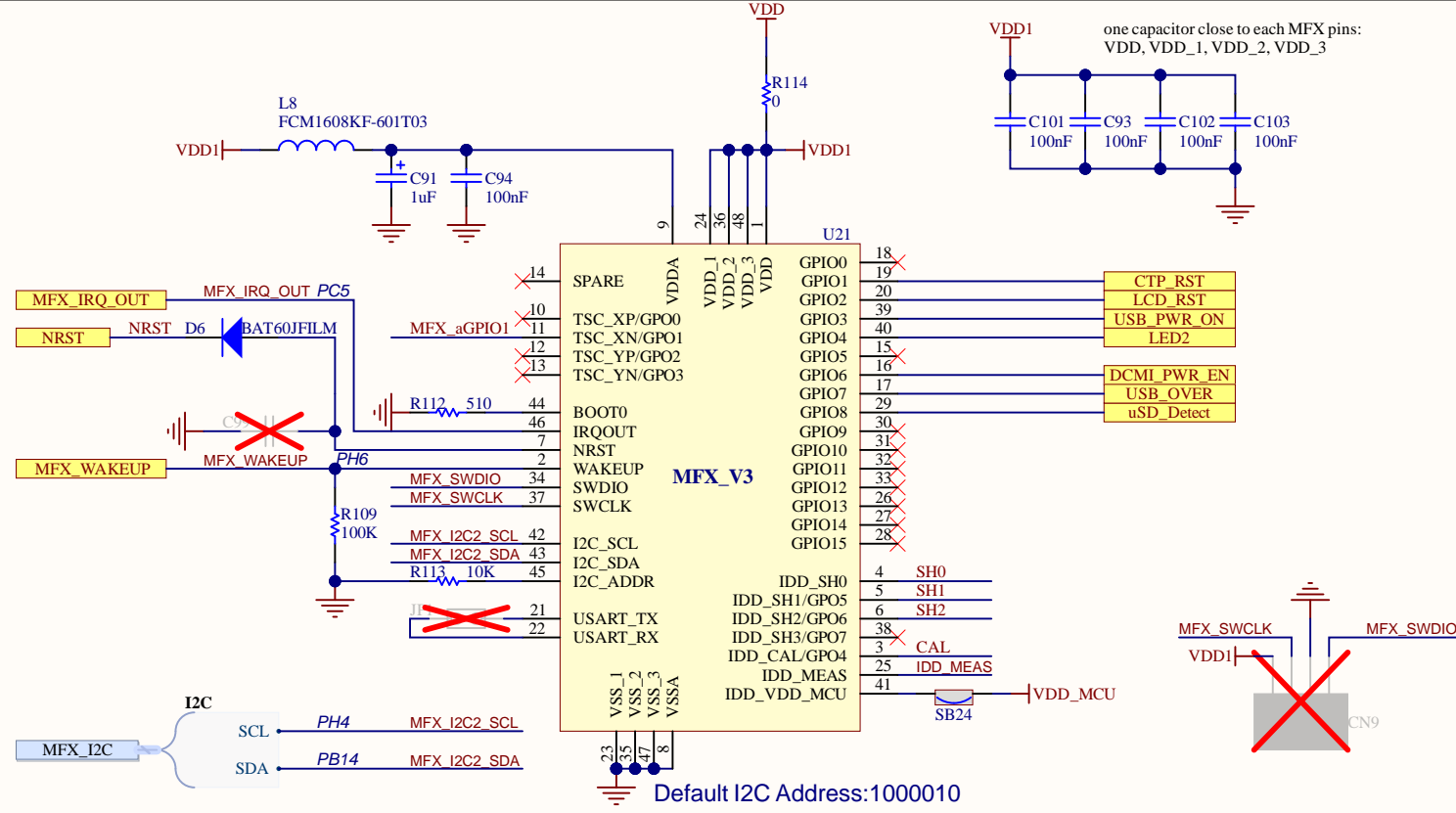


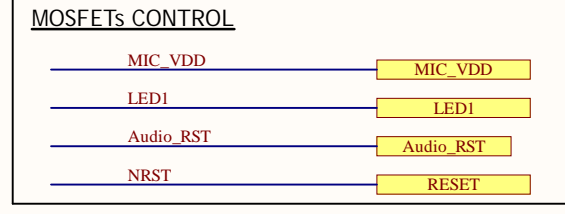
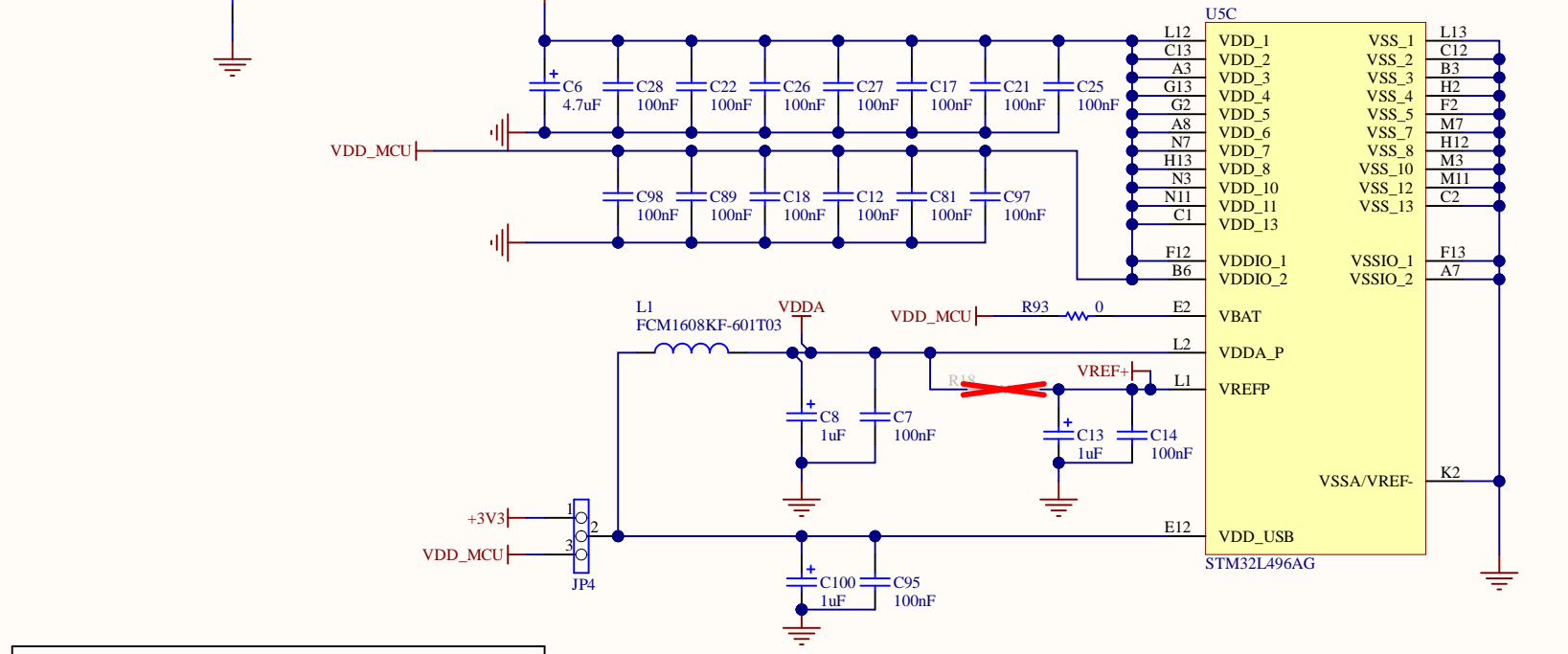
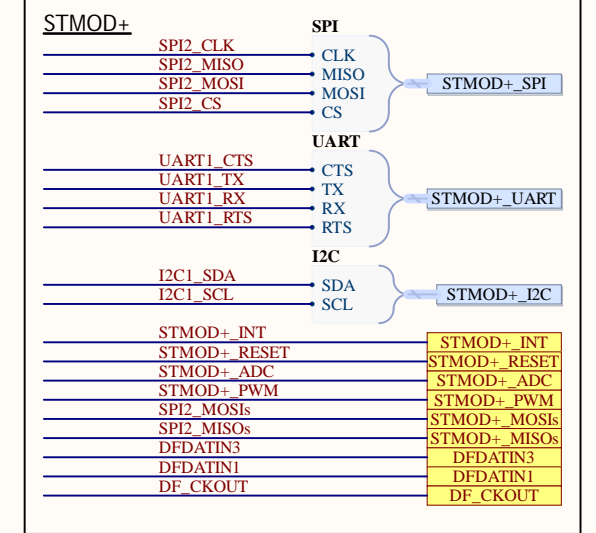
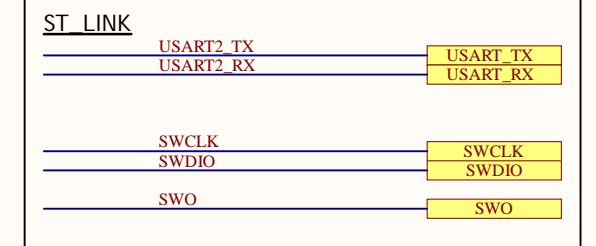
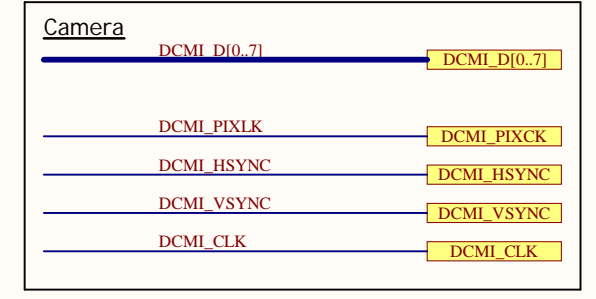
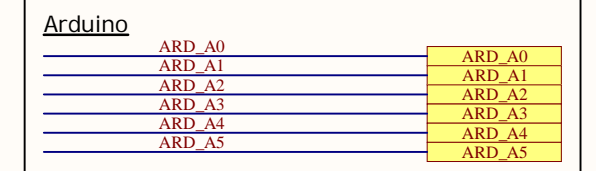
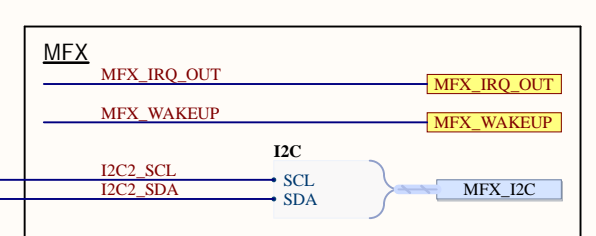
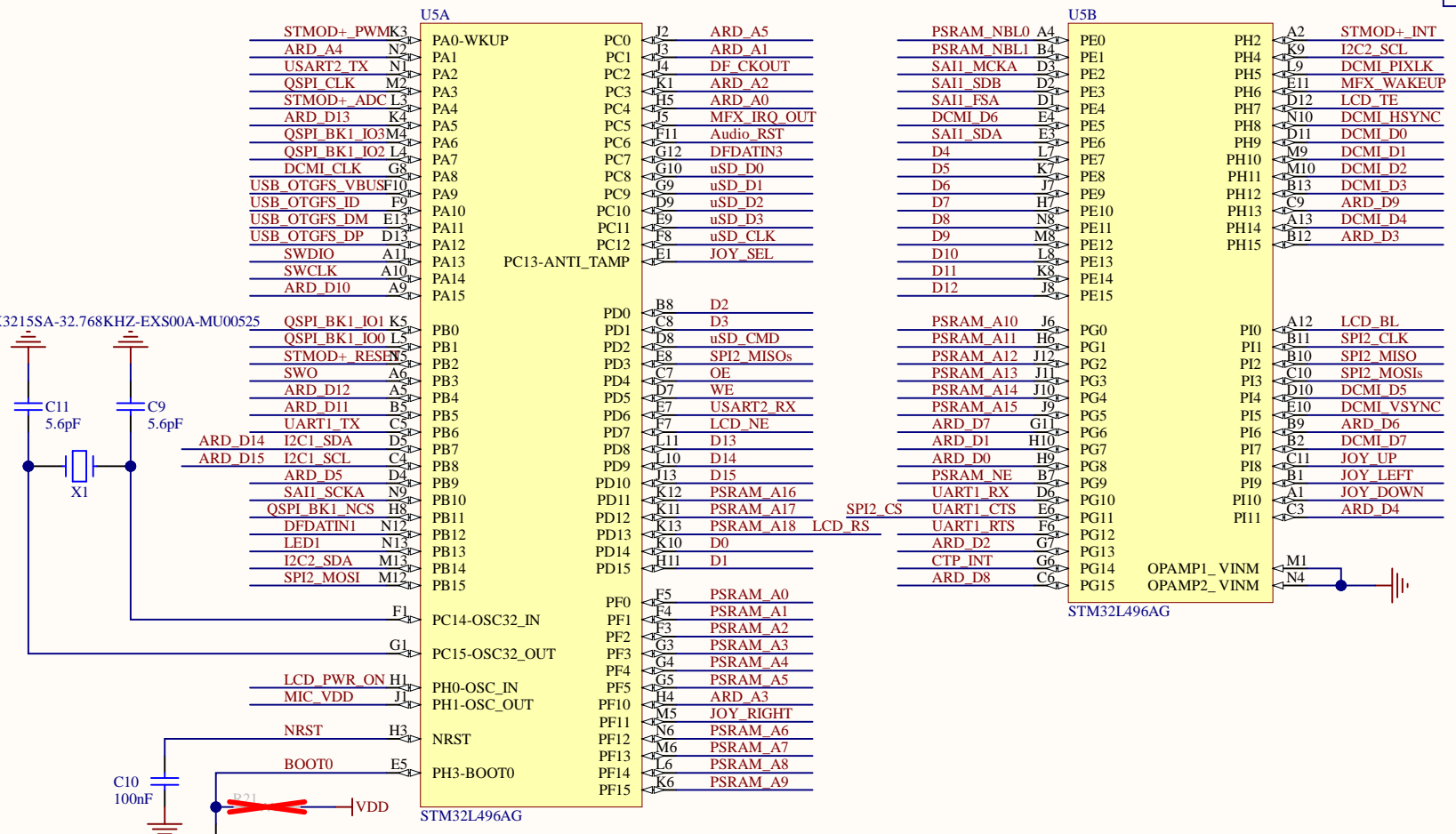
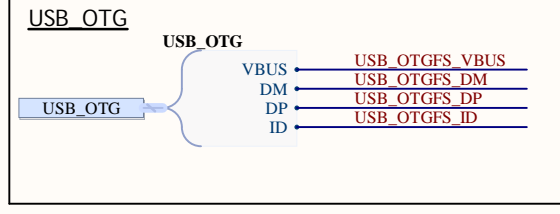
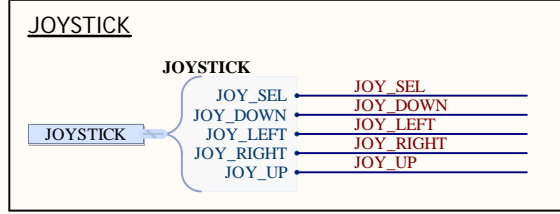
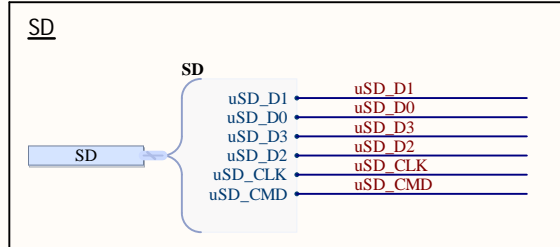
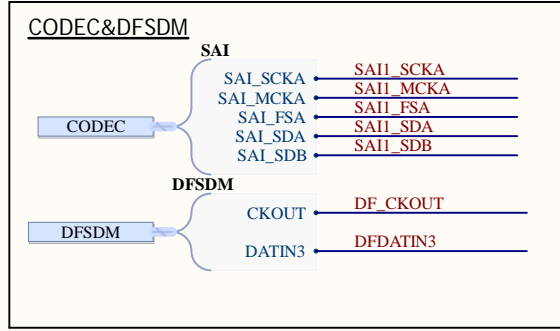
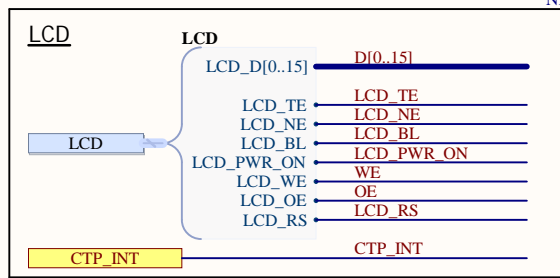
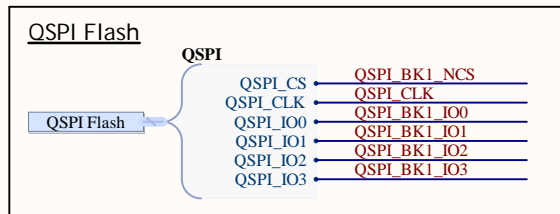
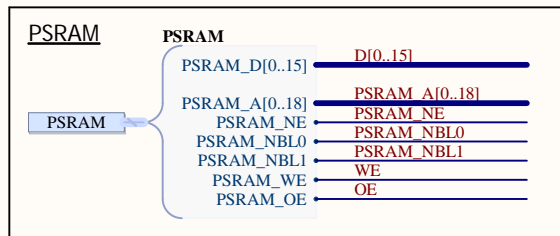
Backlight driver & FPC connector for LCD panel

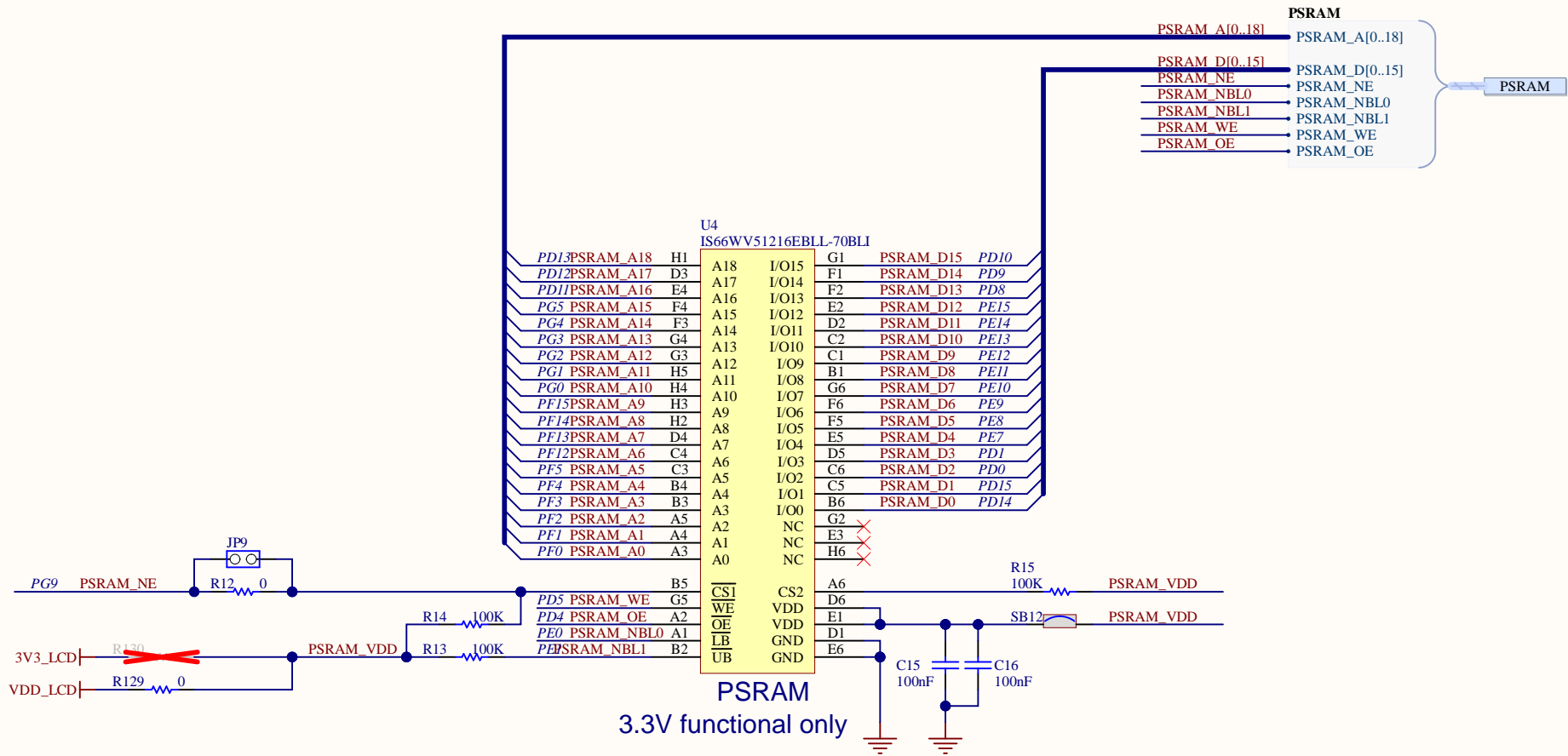


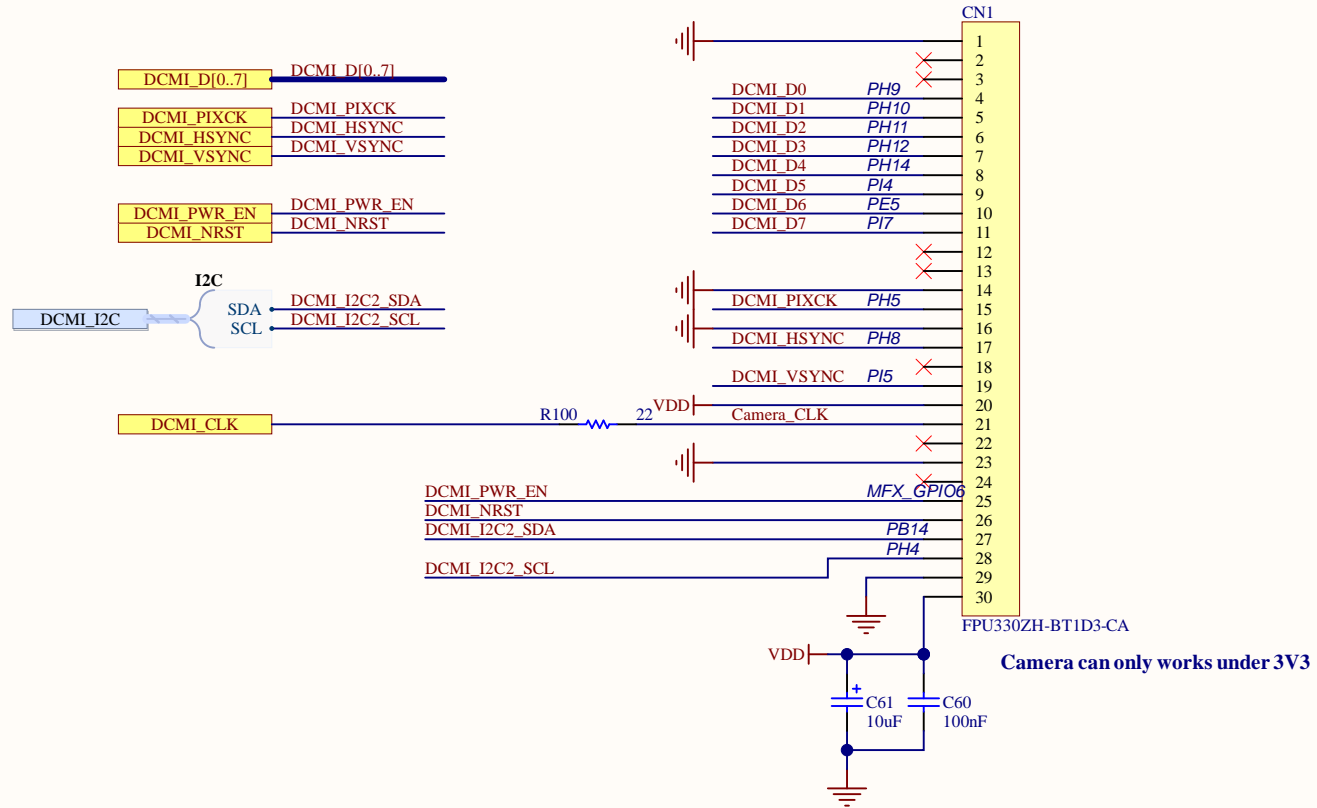
Backlight control: ON/OFF or dimmer by low frequency (1 to 10kHz typ.) PWM using TIM5_CH#

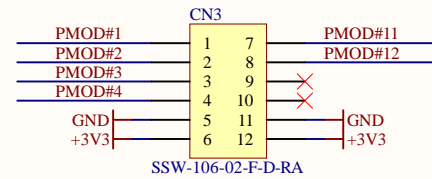
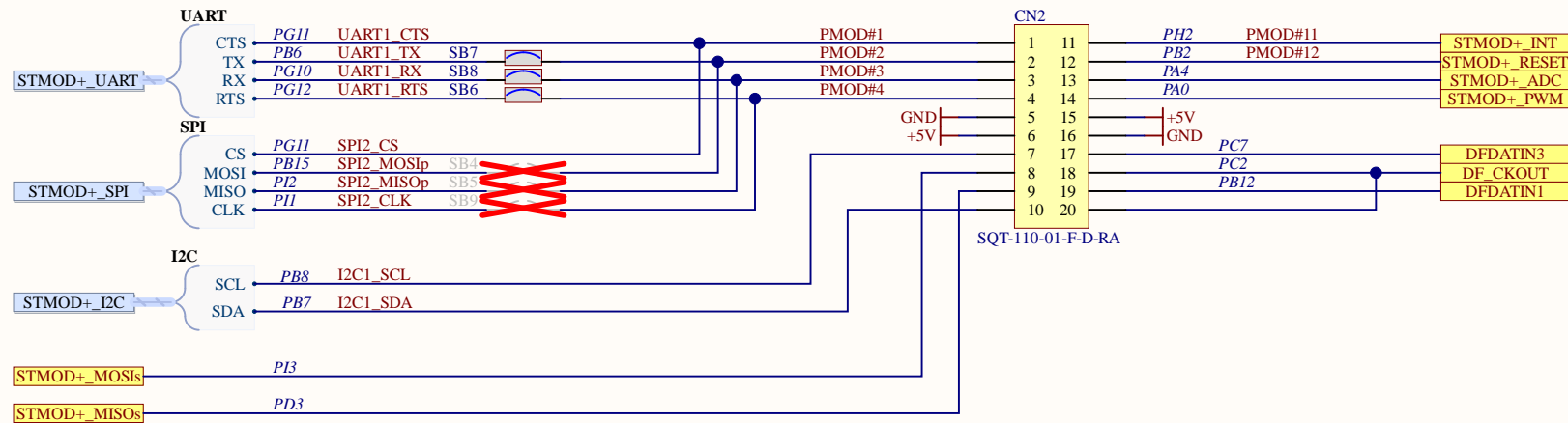


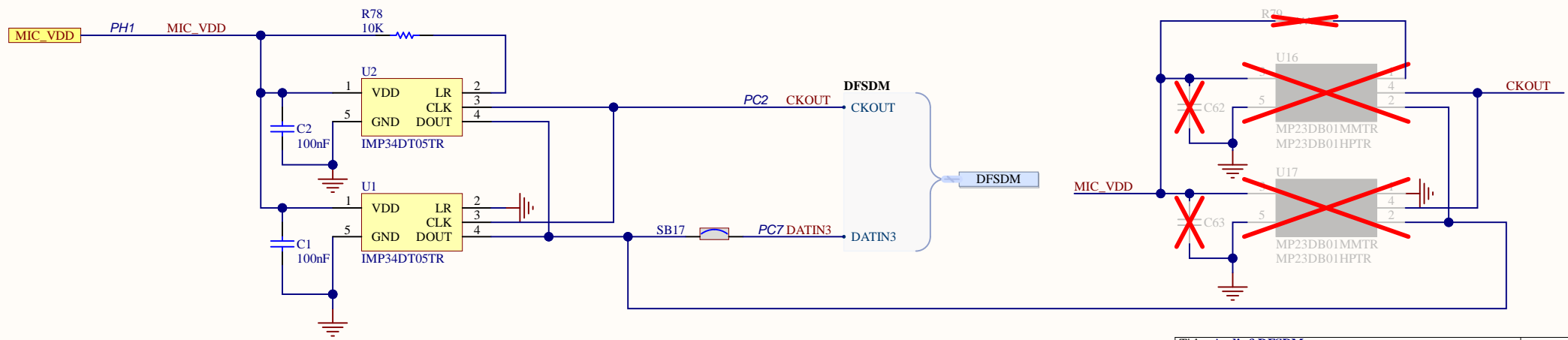
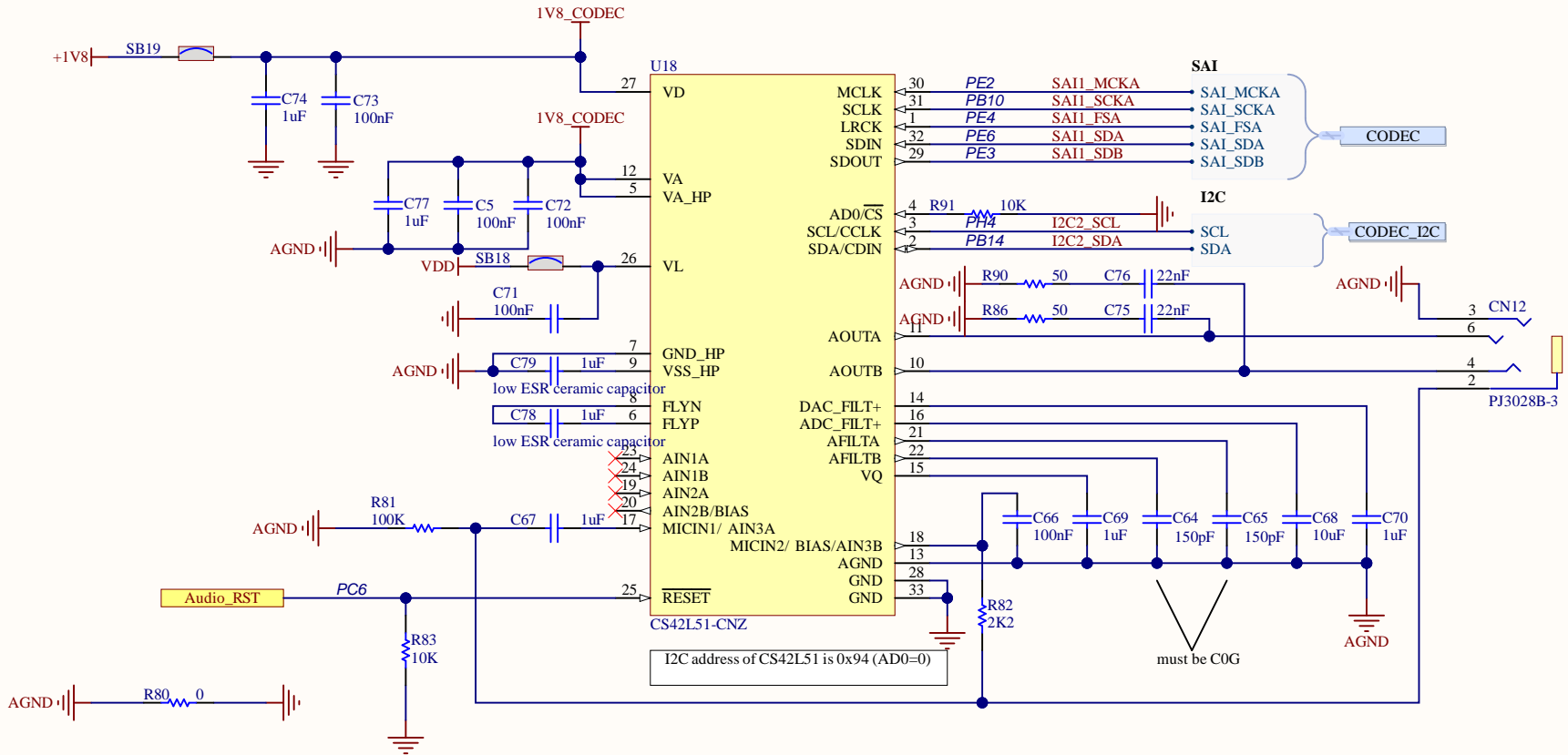


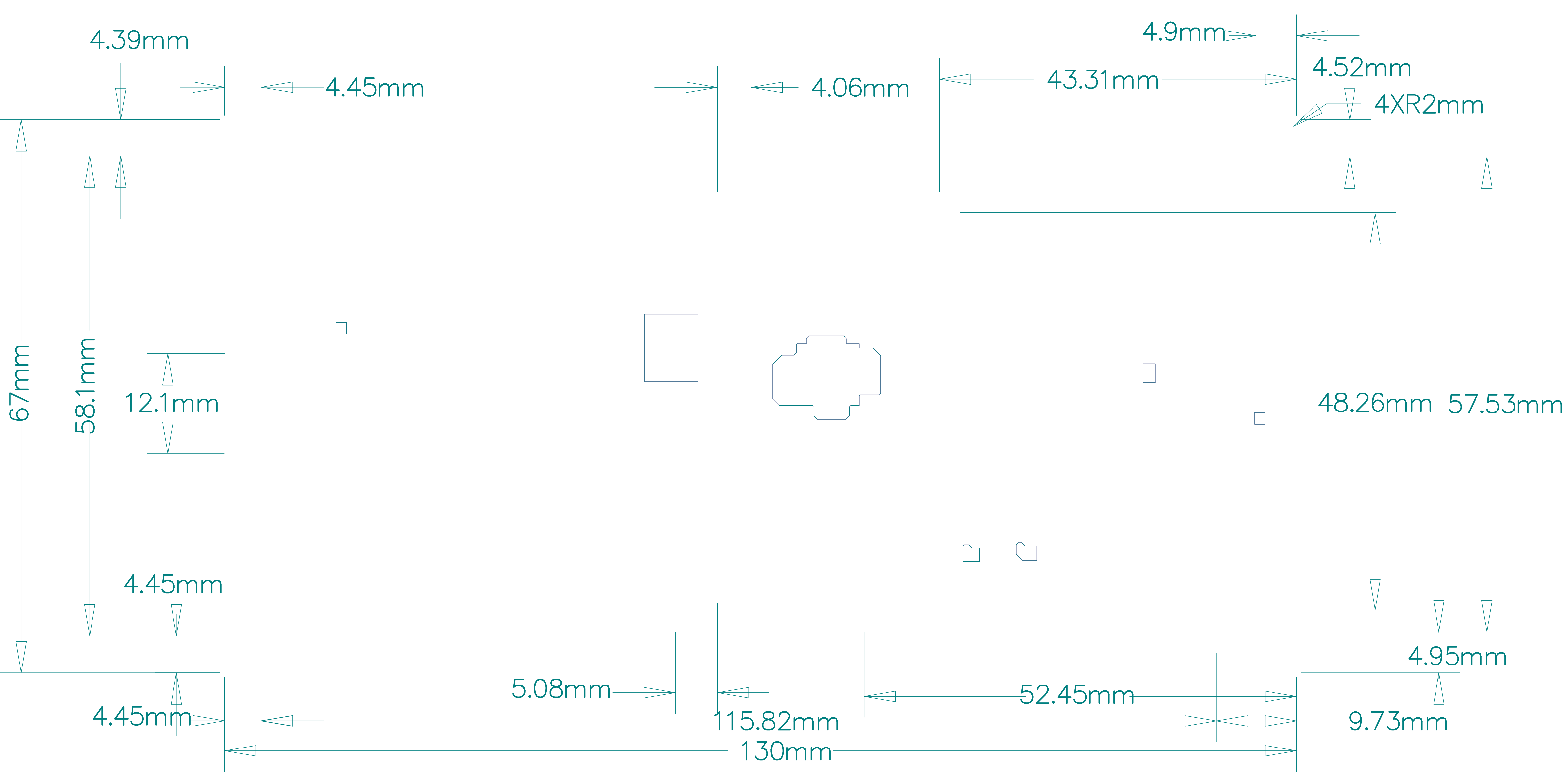




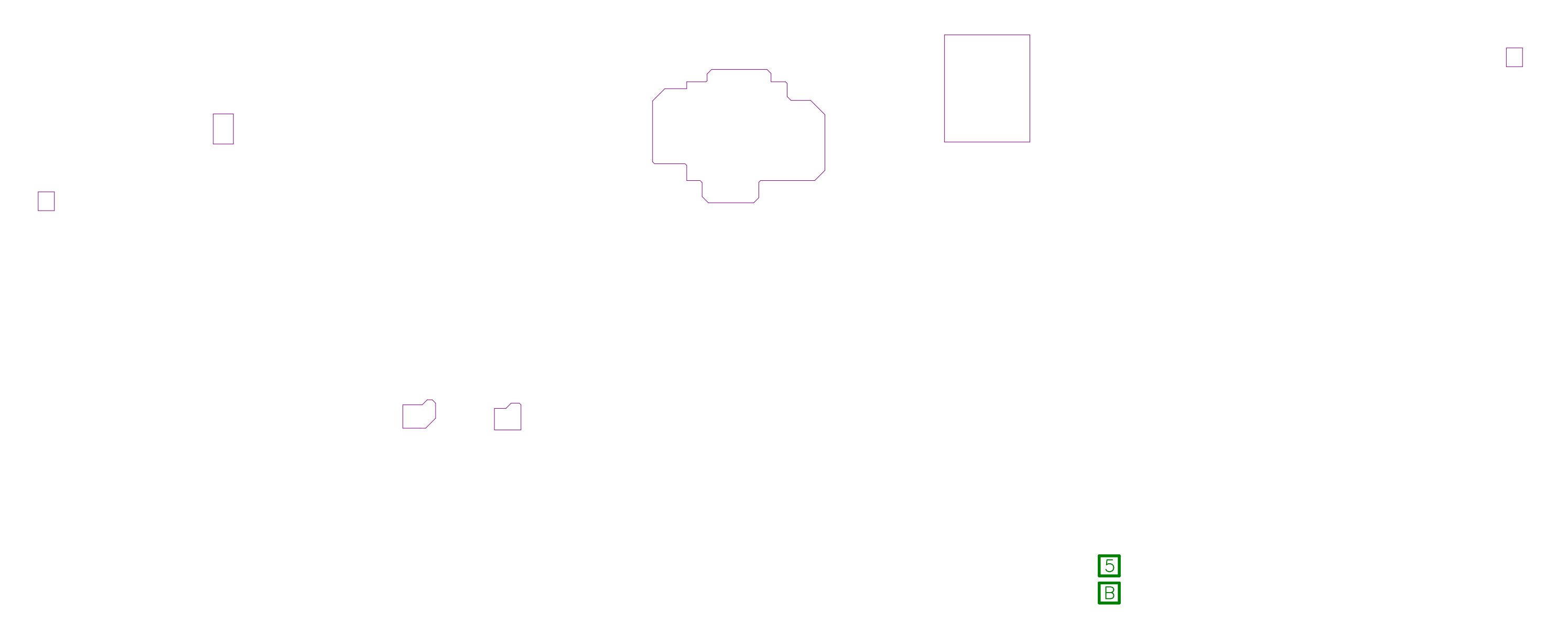








FAB DARWING & DRILL LEGEND



LAYER 2 (END PLANE)
2

