

STM32L496G-DISCO

MB1261

Table of contents

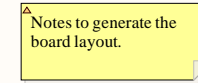
Sheet 1: Project overview (this page)
Sheet 2: Top
Sheet 3: Power
Sheet 4: Arduino Uno connector
Sheet 5: ST-LINK/V2-1
Sheet 6: QSPI Flash
Sheet 7: Peripherals
Sheet 8: USB_OTG_FS
Sheet 9: LCD Interface
Sheet 10: IDD measurement / MFX (Multi Function eXpander)
Sheet 11: MCU
Sheet 12: PSRAM
Sheet 13: Camera
Sheet 14: STMOD+ Interface
Sheet 15: Audio&DFSDM

Legend

General comment such as function title, configuration, ...

Text to be added to silkscreen.

Warning text.



Open Platform License Agreement

The Open Platform License Agreement (“Agreement”) is a binding legal contract between you (“You”) and STMicroelectronics International N.V. (“ST”), a company incorporated under the laws of the Netherlands acting for the purpose of this Agreement through its Swiss branch 39, Chemin du Champ des Filles, 1228 Plan-les-Ouates, Geneva, Switzerland.

By using the enclosed reference designs, schematics, PC board layouts, and documentation, in hardcopy or CAD tool file format (collectively, the “Reference Material”), You are agreeing to be bound by the terms and conditions of this Agreement. Do not use the Reference Material until You have read and agreed to this Agreement terms and conditions. The use of the Reference Material automatically implies the acceptance of the Agreement terms and conditions.

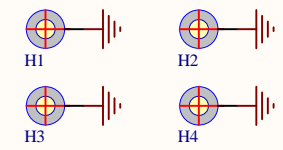
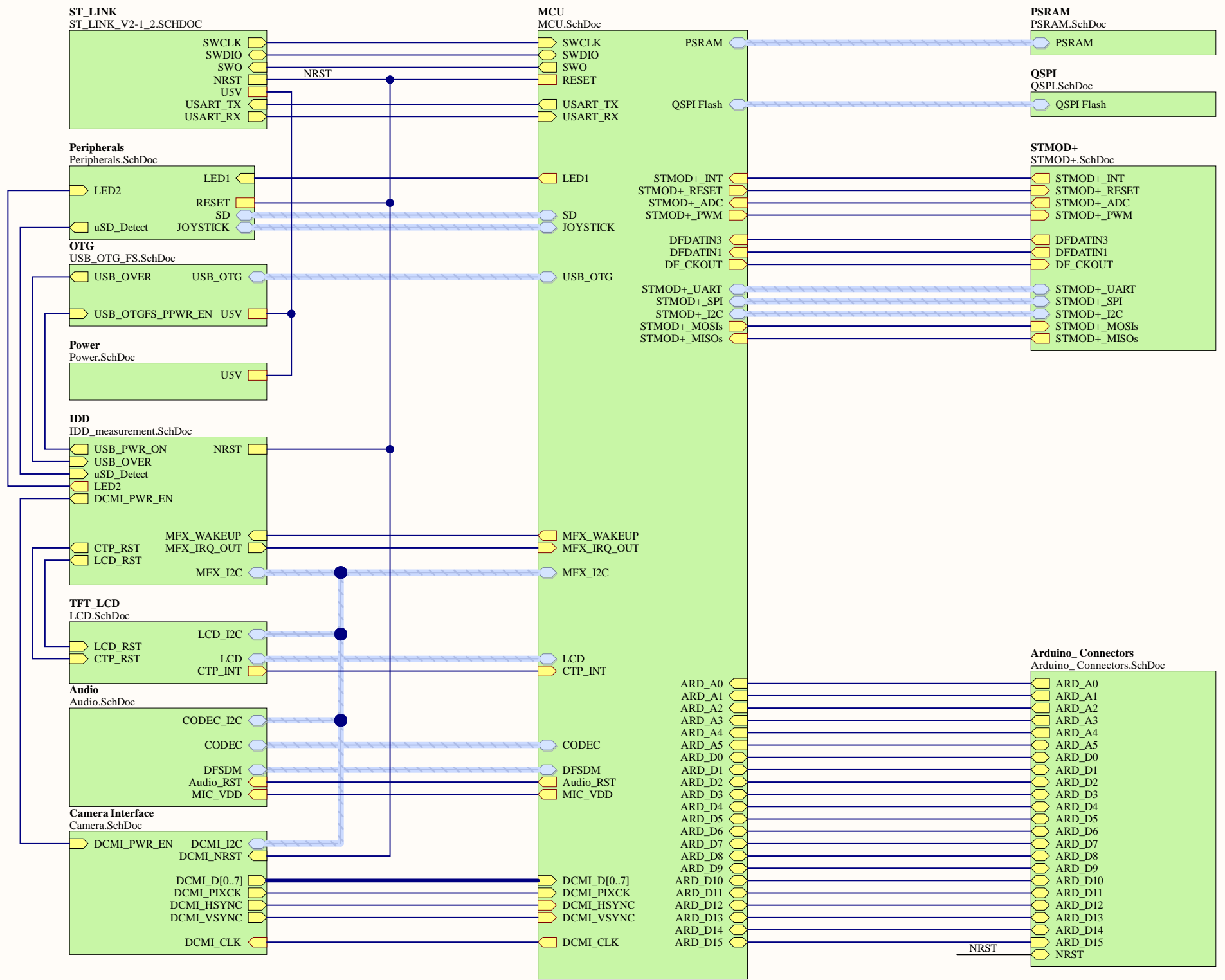
The complete Open Platform License Agreement can be found on www.st.com/opla.

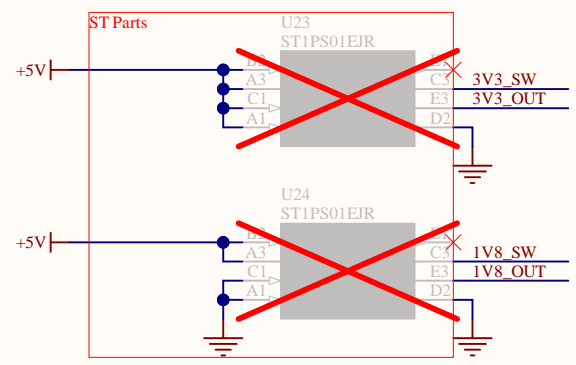
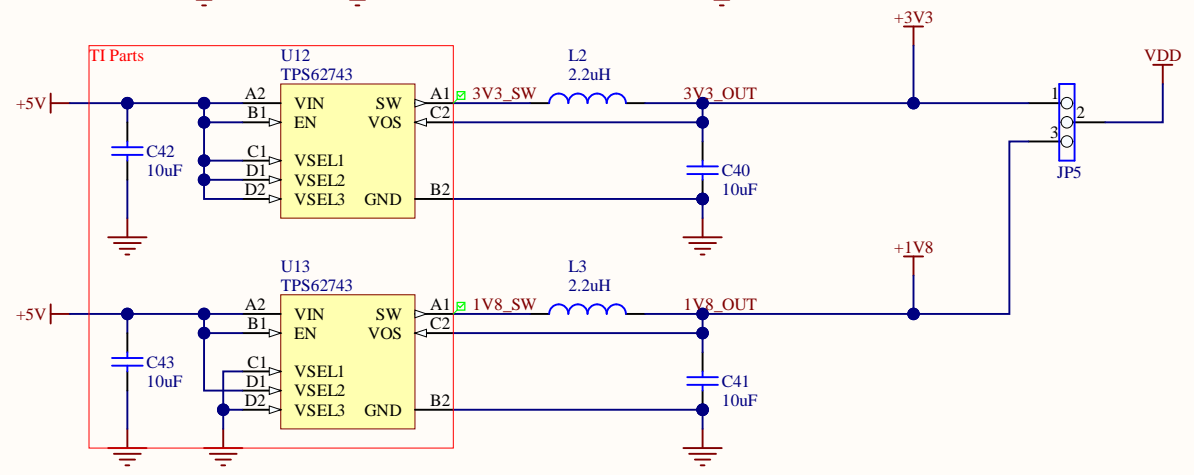
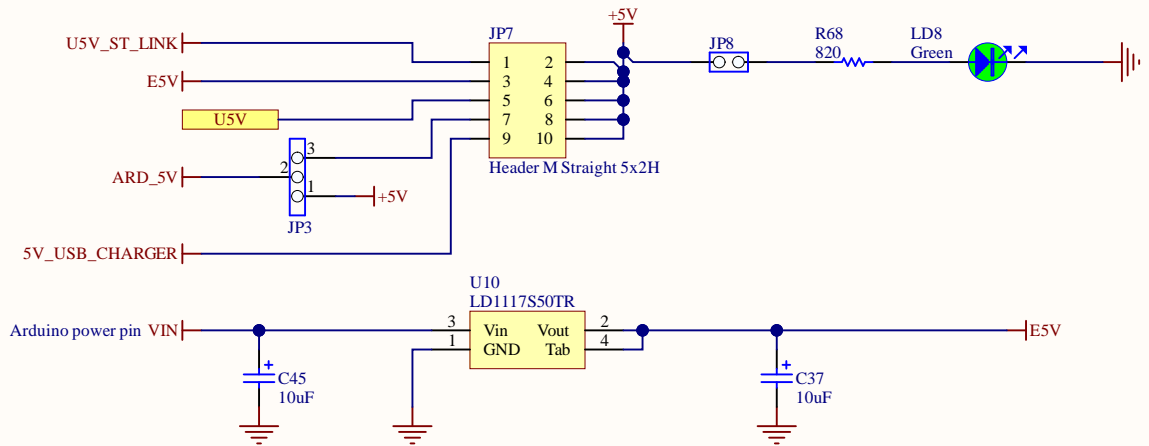
U_Top
Top.SchDoc



Title: Project overview		
Project: STM32L496G-DISCO		
Variant: L496G		
Revision: B-07		Reference: MB1261
Size: A4	Date: 25/04/2024	Sheet: 1 of 15





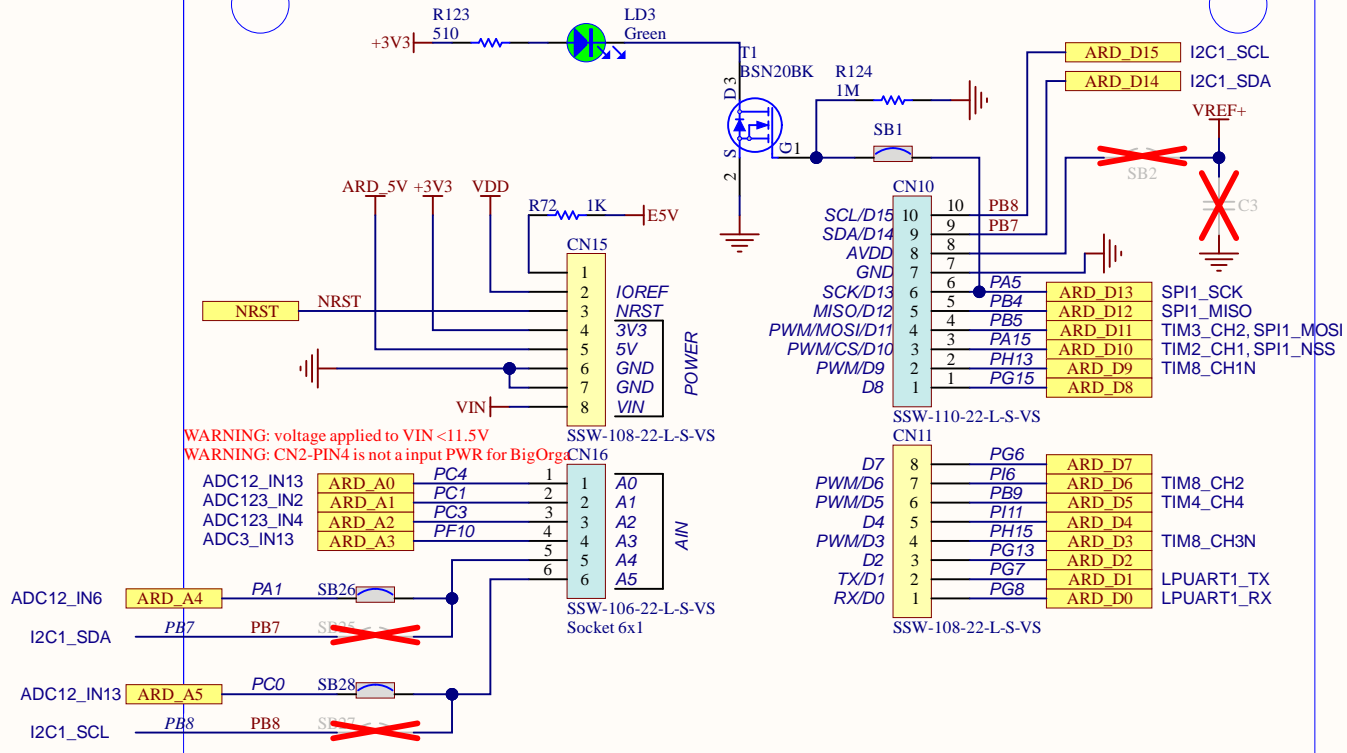


Choose TI parts U12,U13 or ST parts U23,U24 mount on the board

Title: Power	
Project: STM32L496G-DISCO	
Variant: L496G	
Revision: B-07	Reference: MBI261
Size: A4	Date: 25/04/2024
	Sheet: 3 of 15

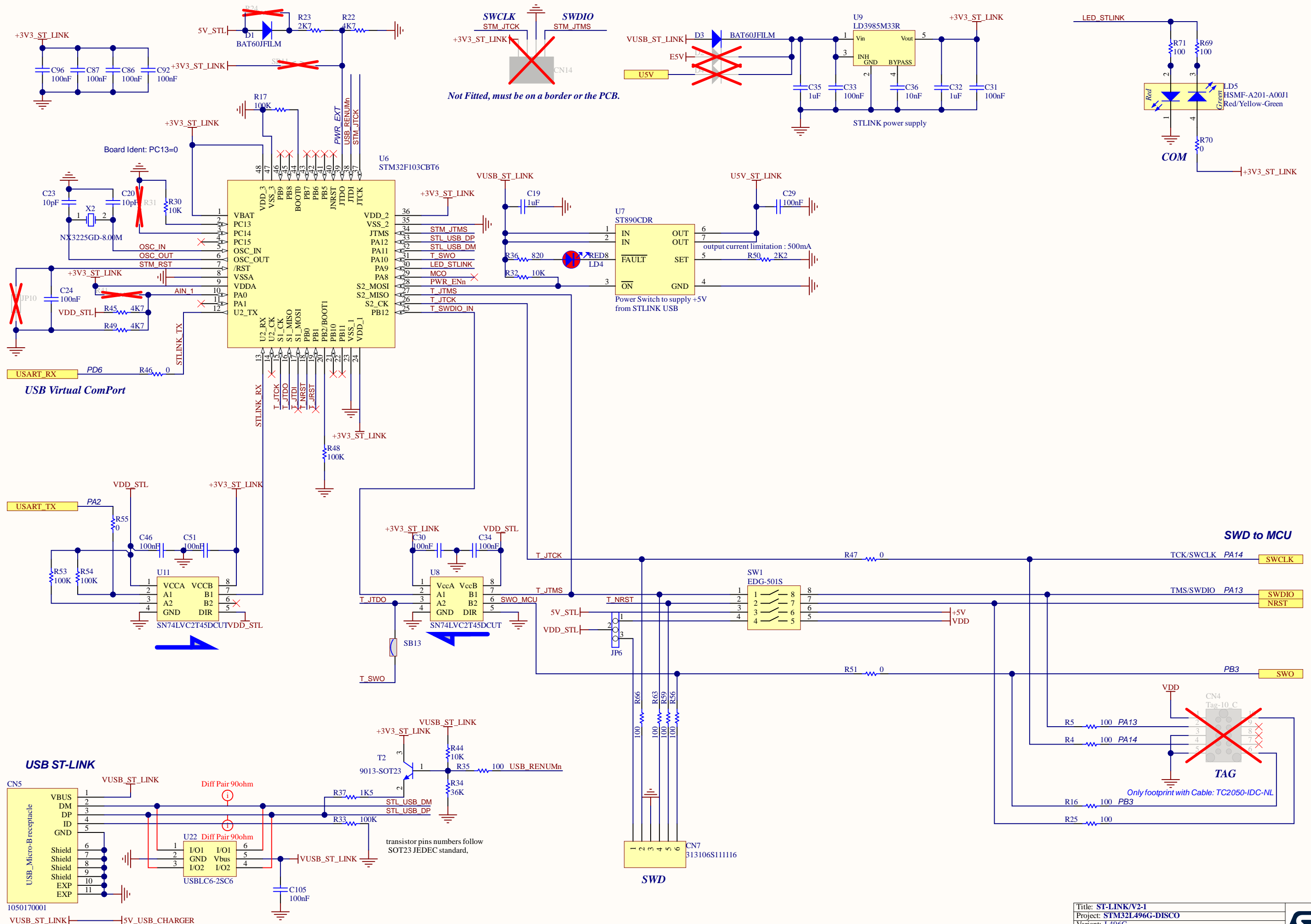


Arduino uno connector



WARNING: voltage applied to VIN <11.5V
 WARNING: CN2-PIN4 is not a input PWR for BigOrga





Not Fitted, must be on a border of the PCB.

STLINK power supply

Power Switch to supply +5V from STLINK USB

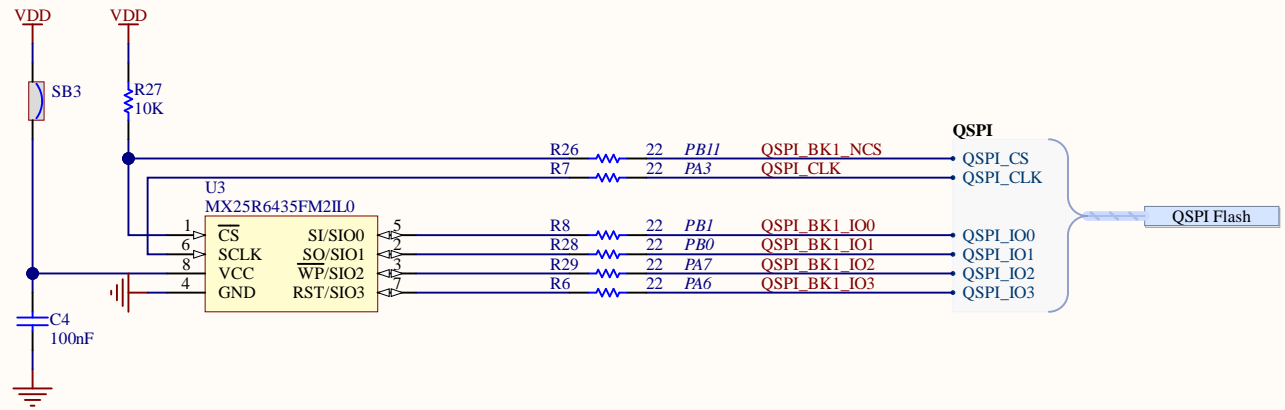
USB Virtual ComPort

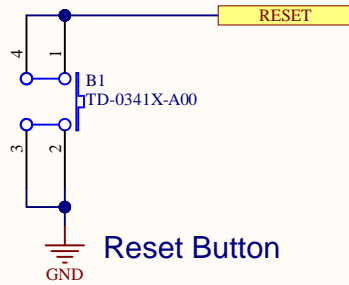
SWD to MCU

USB ST-LINK

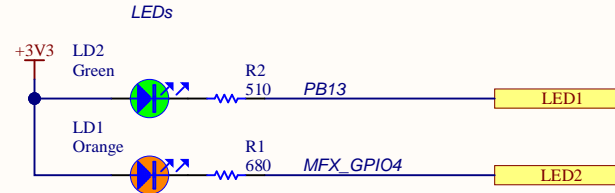
TAG

transistor pins numbers follow SOT23 JEDEC standard,



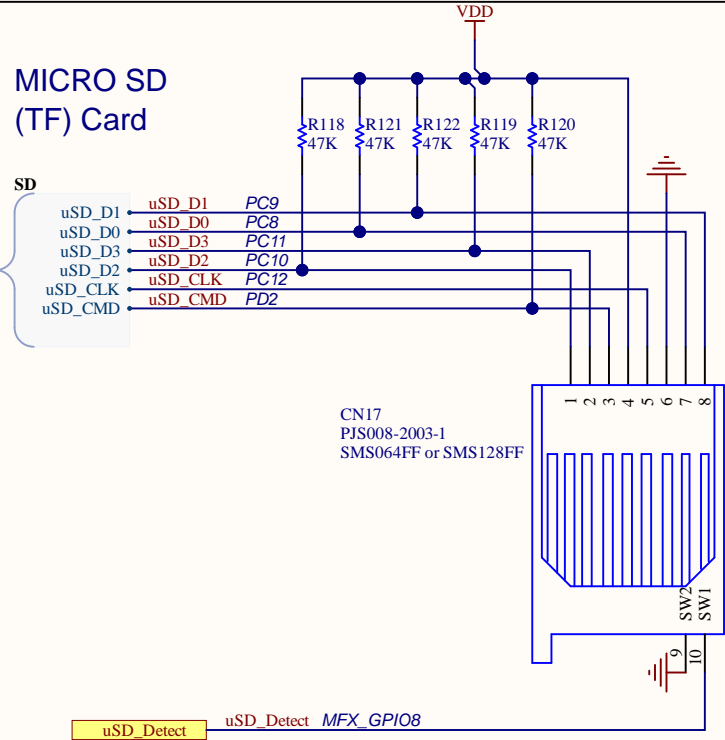


Reset Button

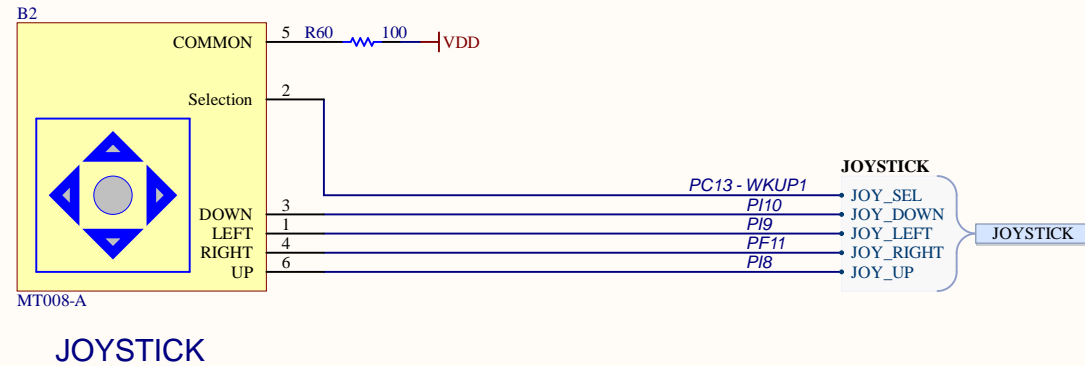


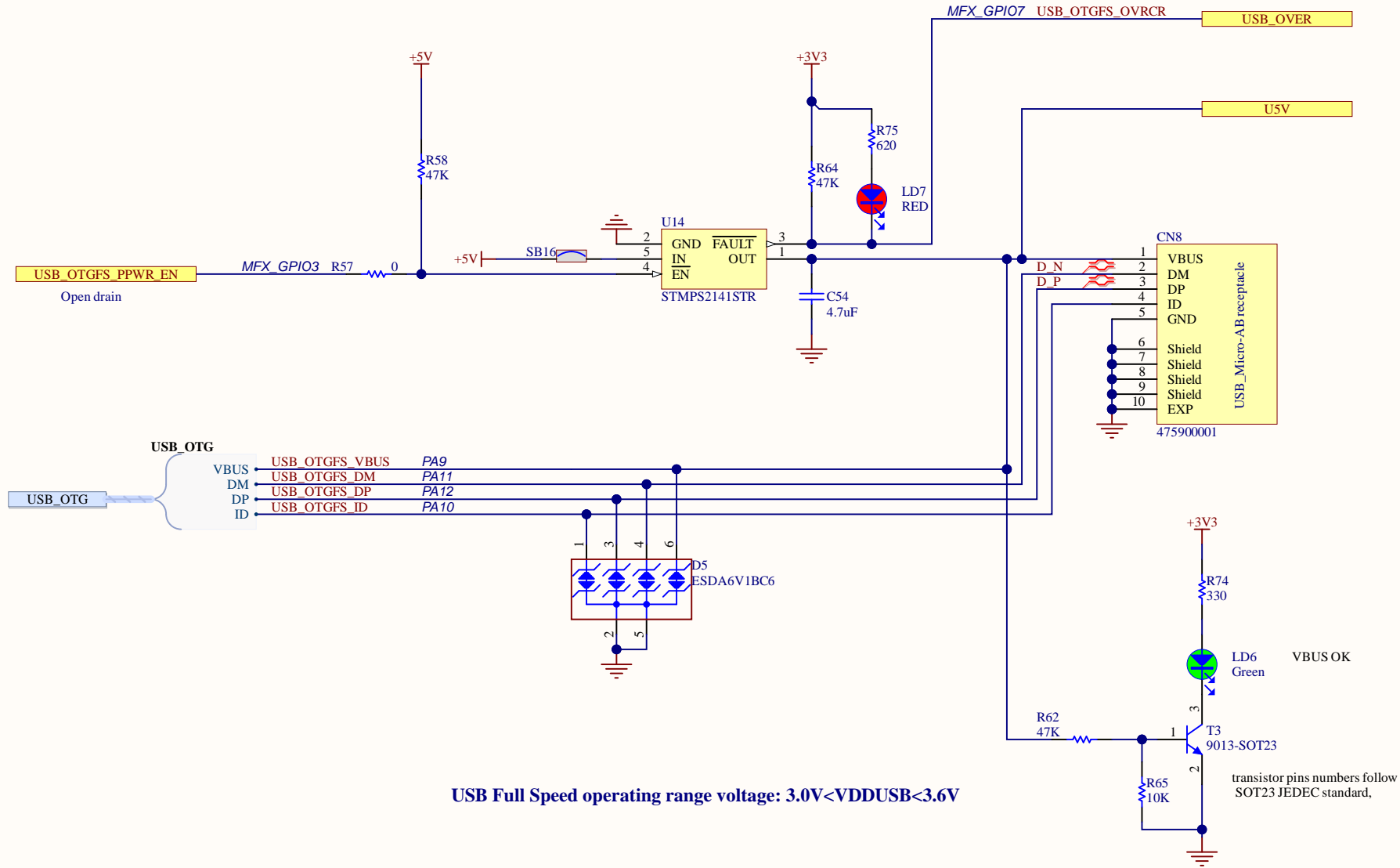
The 2 LEDs are top side

MICRO SD (TF) Card




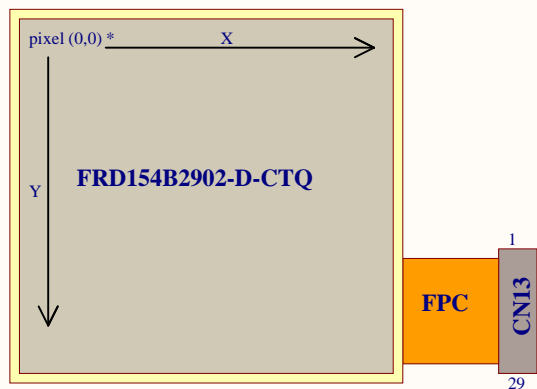
SD can only works under 3V3





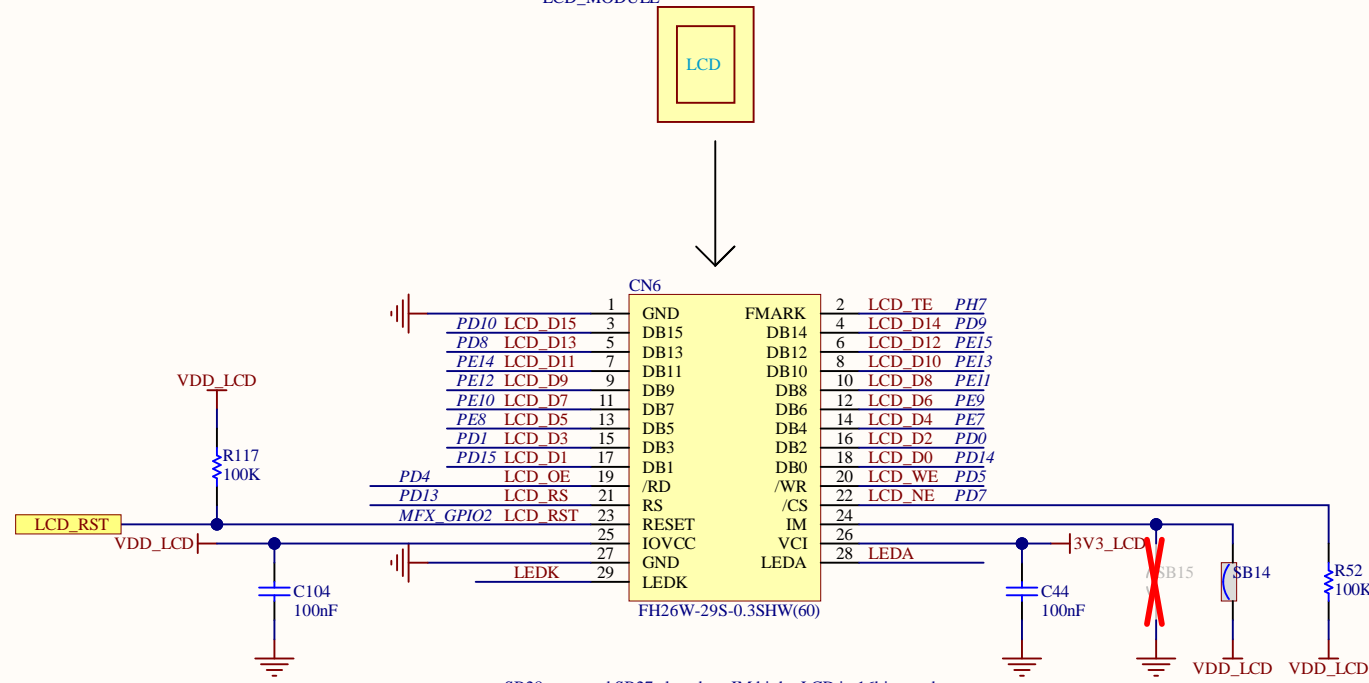
USB Full Speed operating range voltage: 3.0V < VDDUSB < 3.6V

Title: USB_OTG_FS		
Project: STM32L496G-DISCO		
Variant: L496G		
Revision: B-07	Reference: MB1261	
Size: A4	Date: 25/04/2024	
Sheet: 8 of 15		

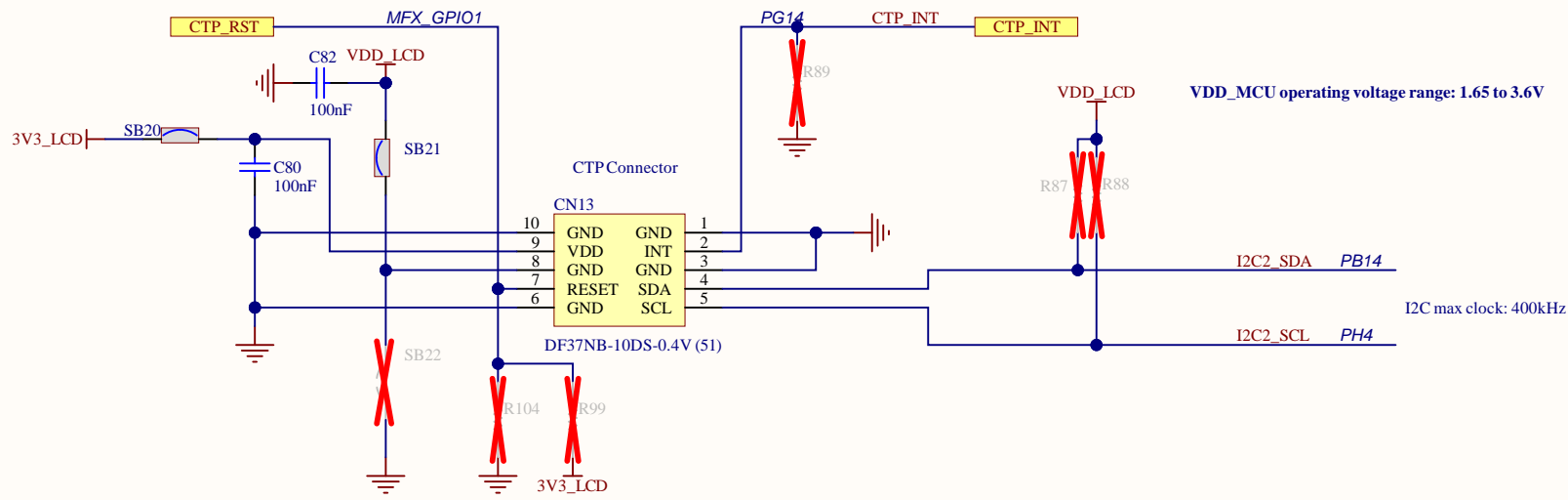


*: standard orientation. Rotations by 90, 180, 270 degrees possible by registers.

ZZ1
240x240 pixels TFT LCD
FRD154H29003-A-CTQ

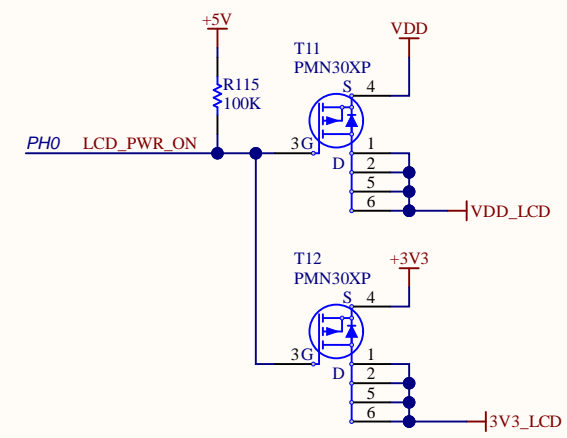


SB28 open and SB27 closed = IM high: LCD in 16bits mode
SB28 closed and SB27 opened = IMlow : LCD in 8bits mode

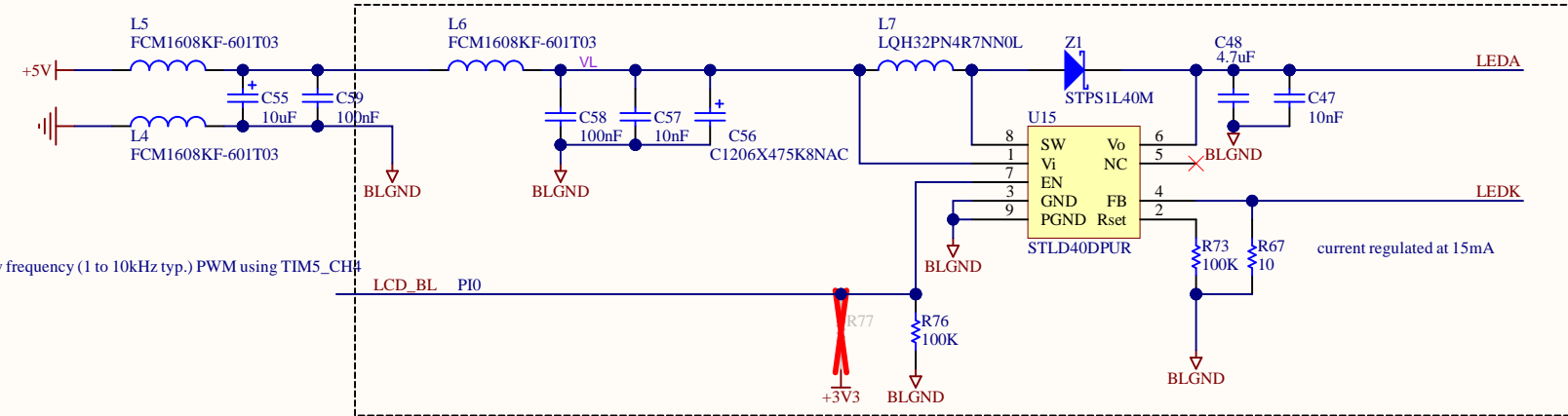


VDD_MCU operating voltage range: 1.65 to 3.6V

I2C max clock: 400kHz



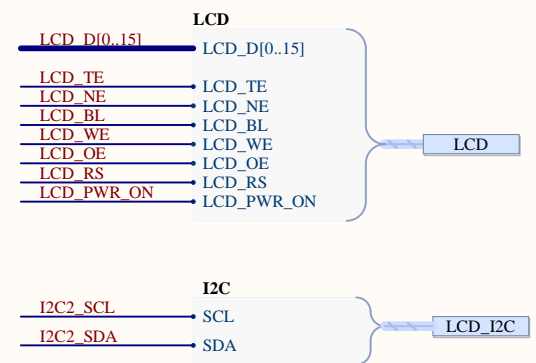
Layout: parts close to STLD40D and grouped in same area with BLGND as local ground plane

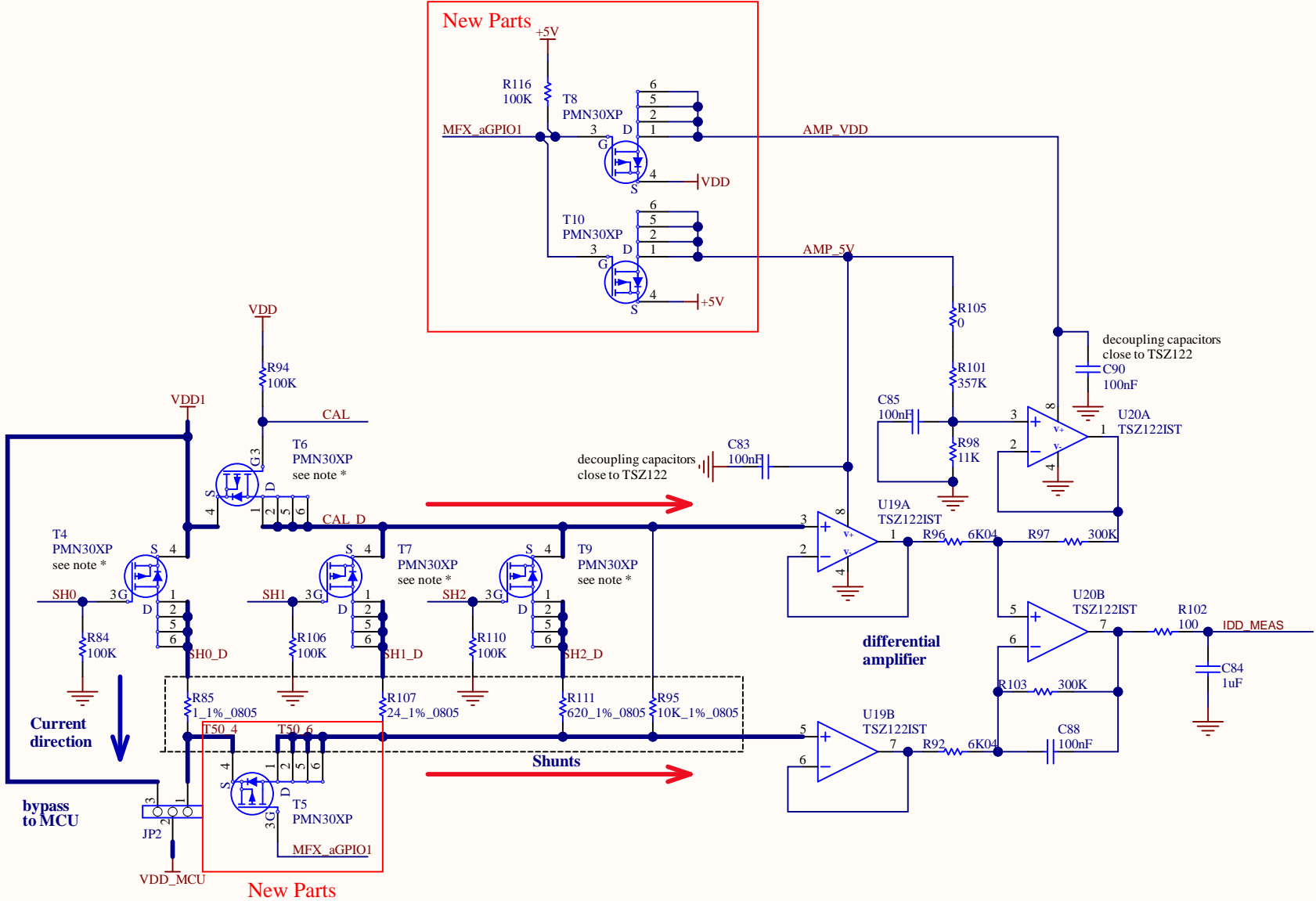
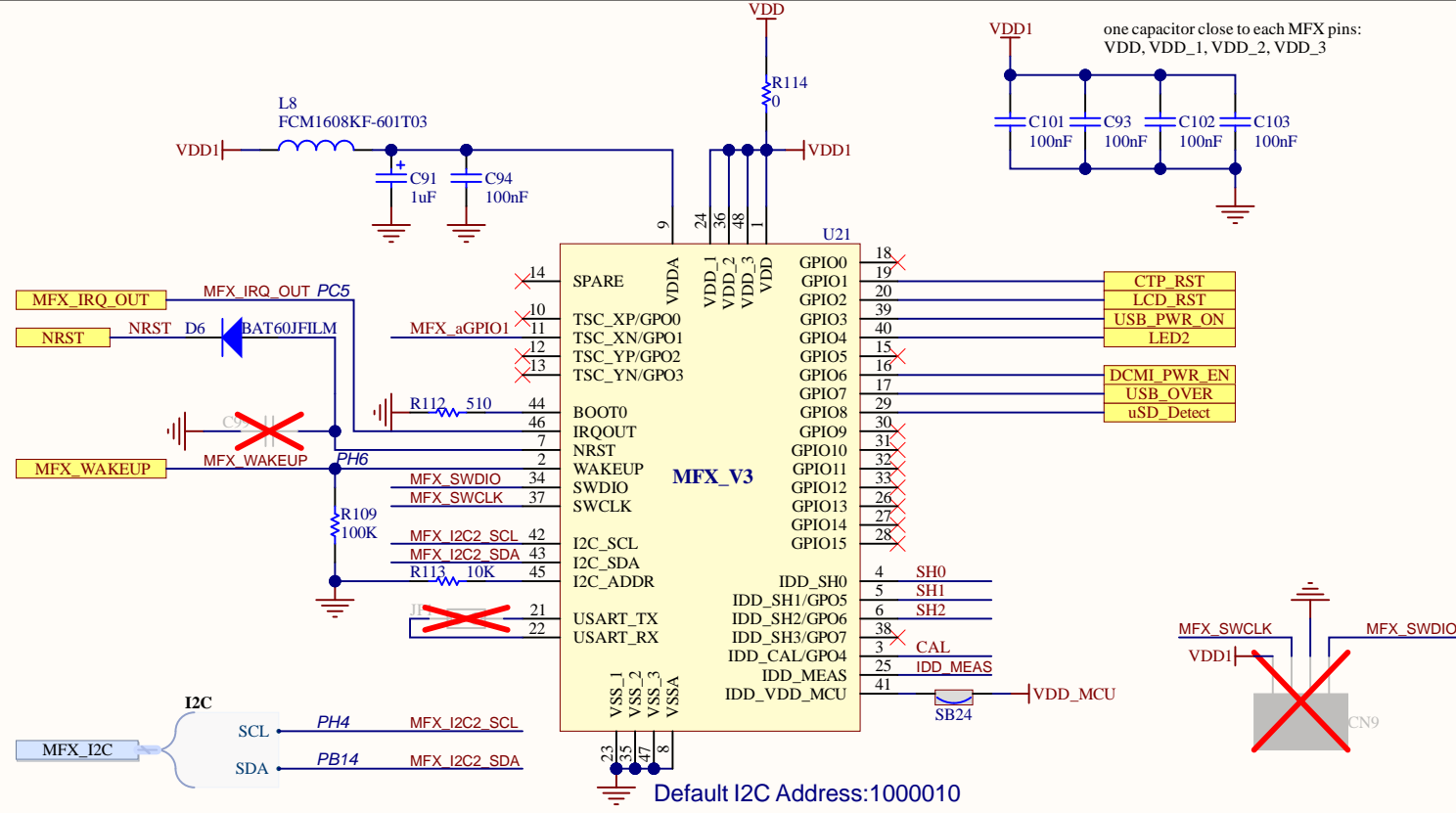


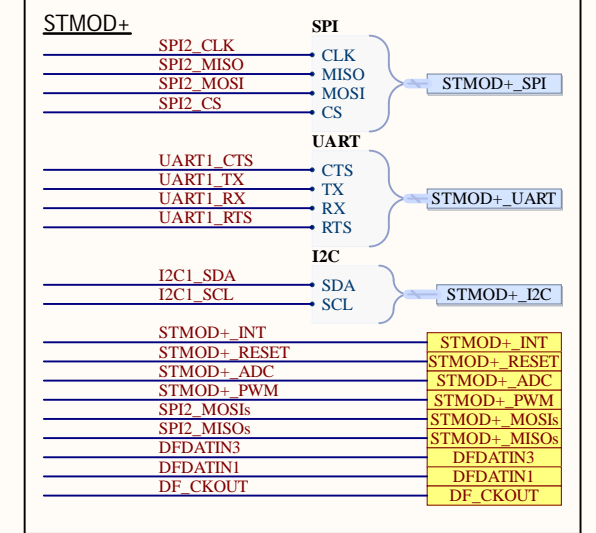
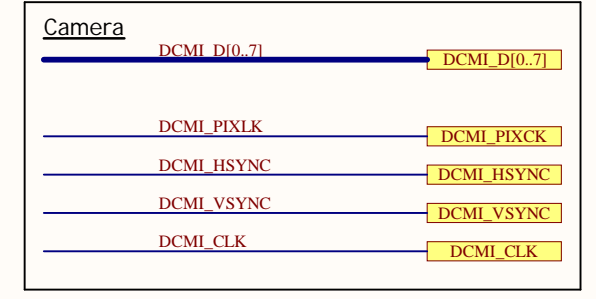
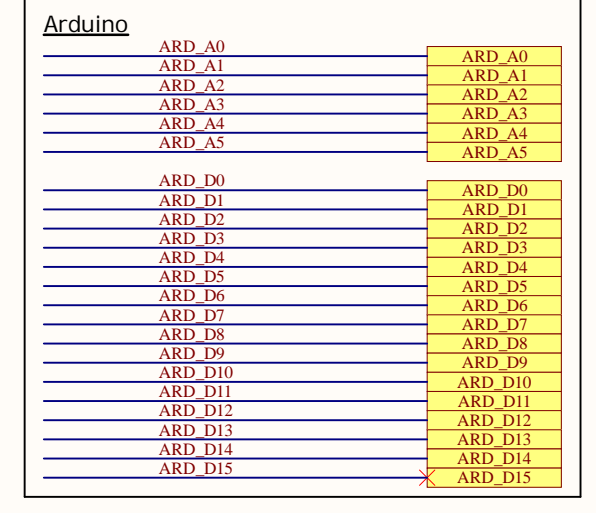
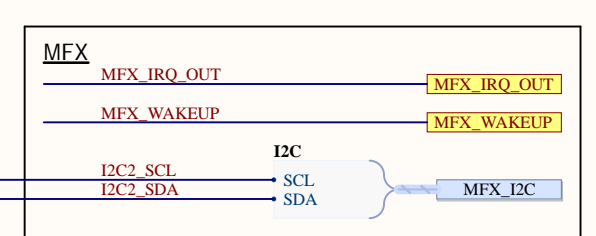
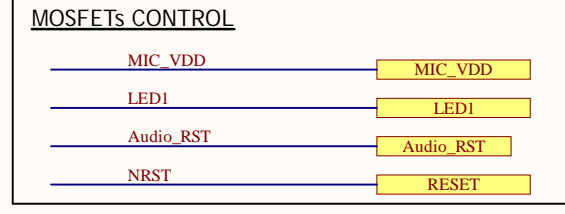
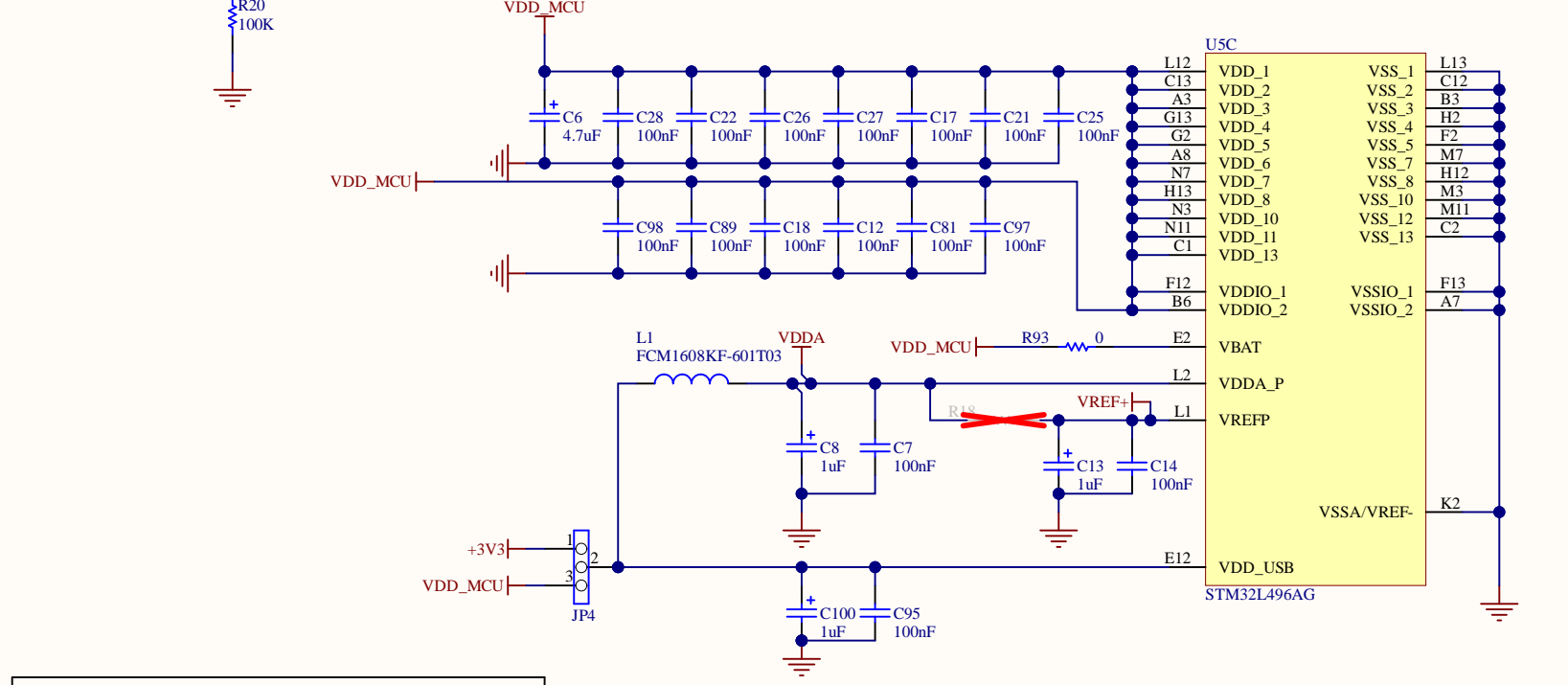
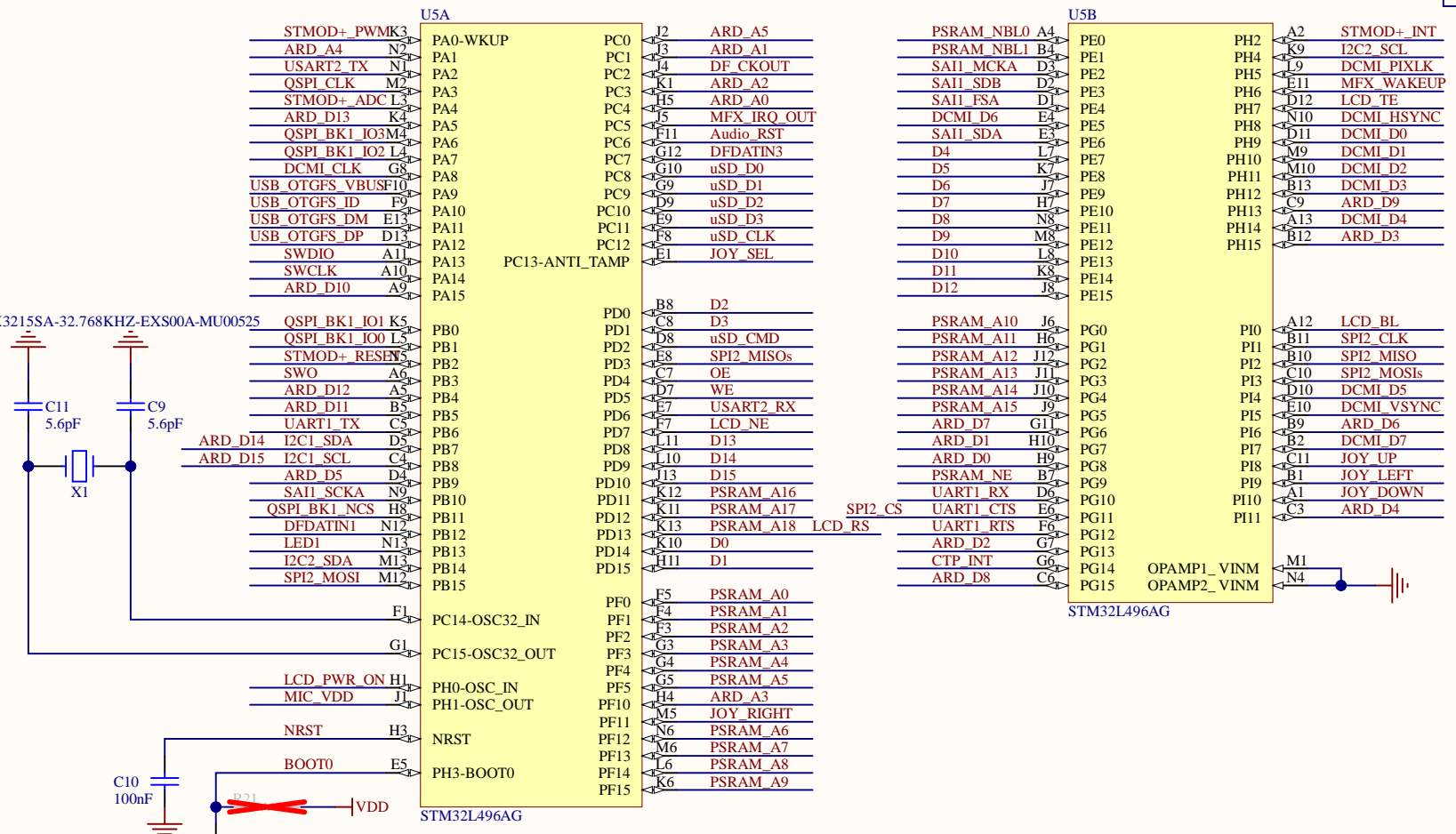
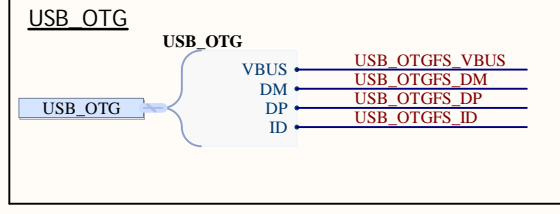
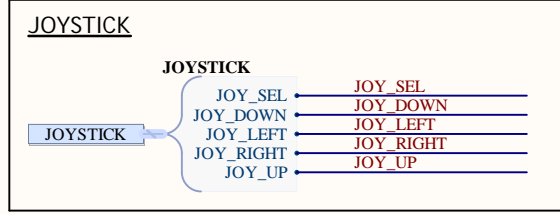
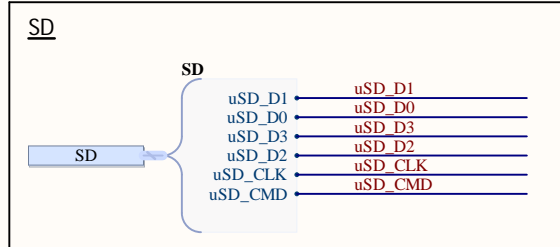
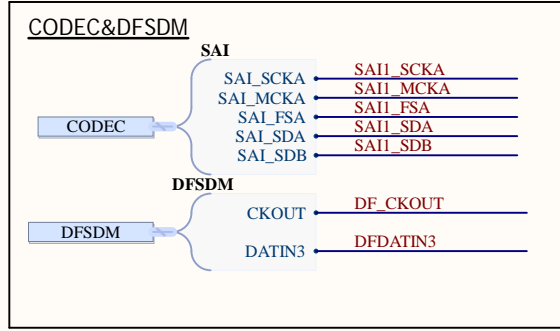
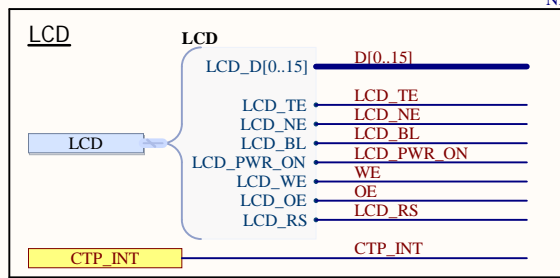
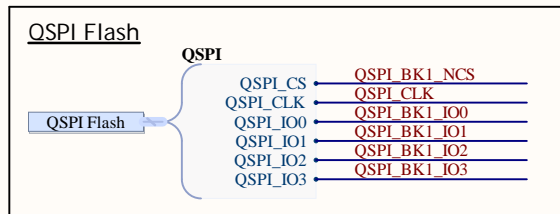
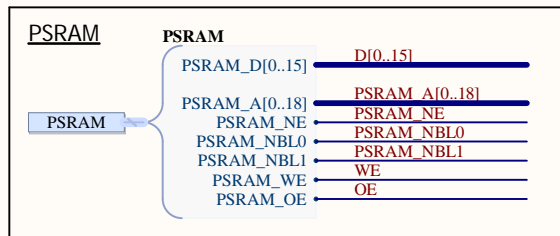
current regulated at 15mA

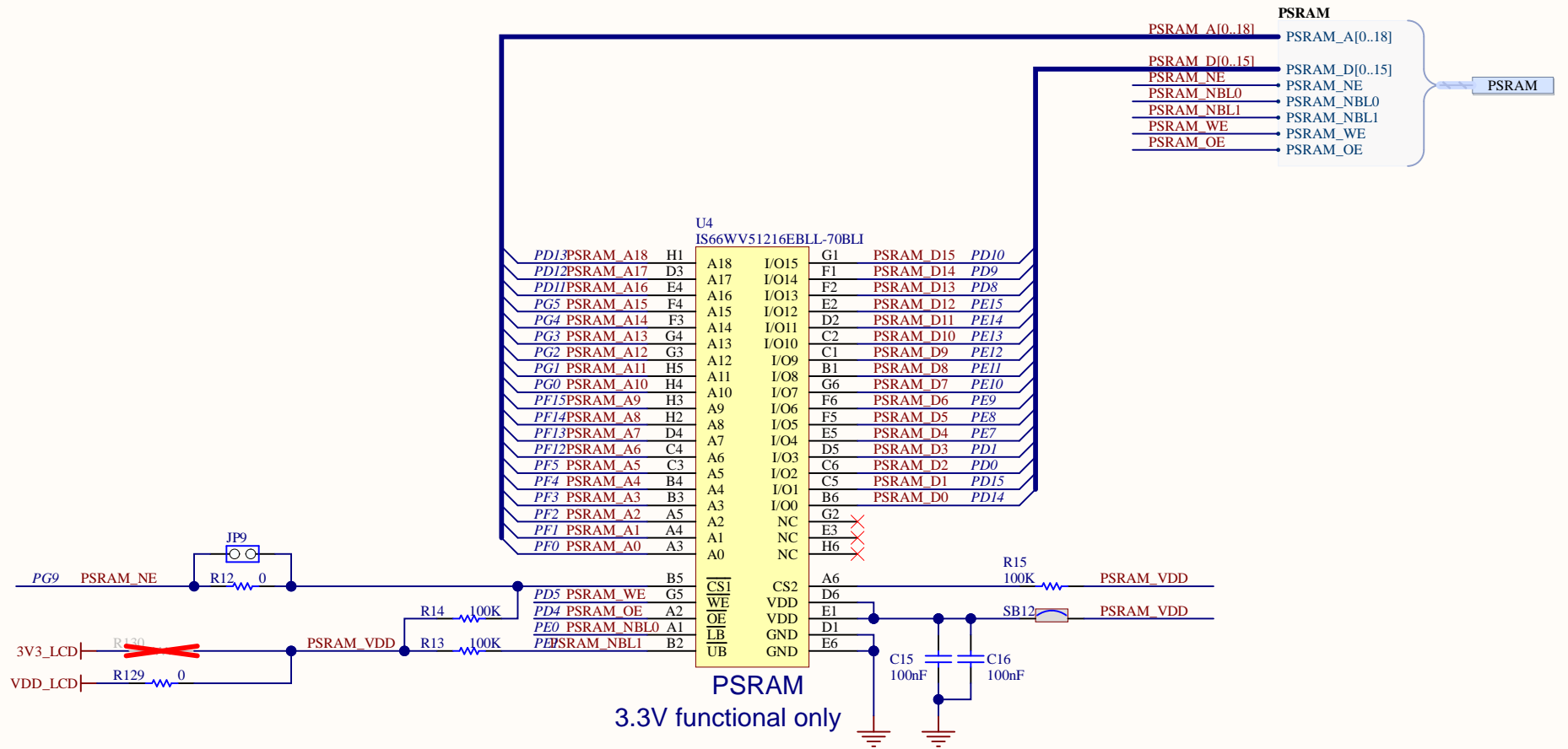
Backlight control: ON/OFF or dimmer by low frequency (1 to 10kHz typ.) PWM using TIM5_CH#

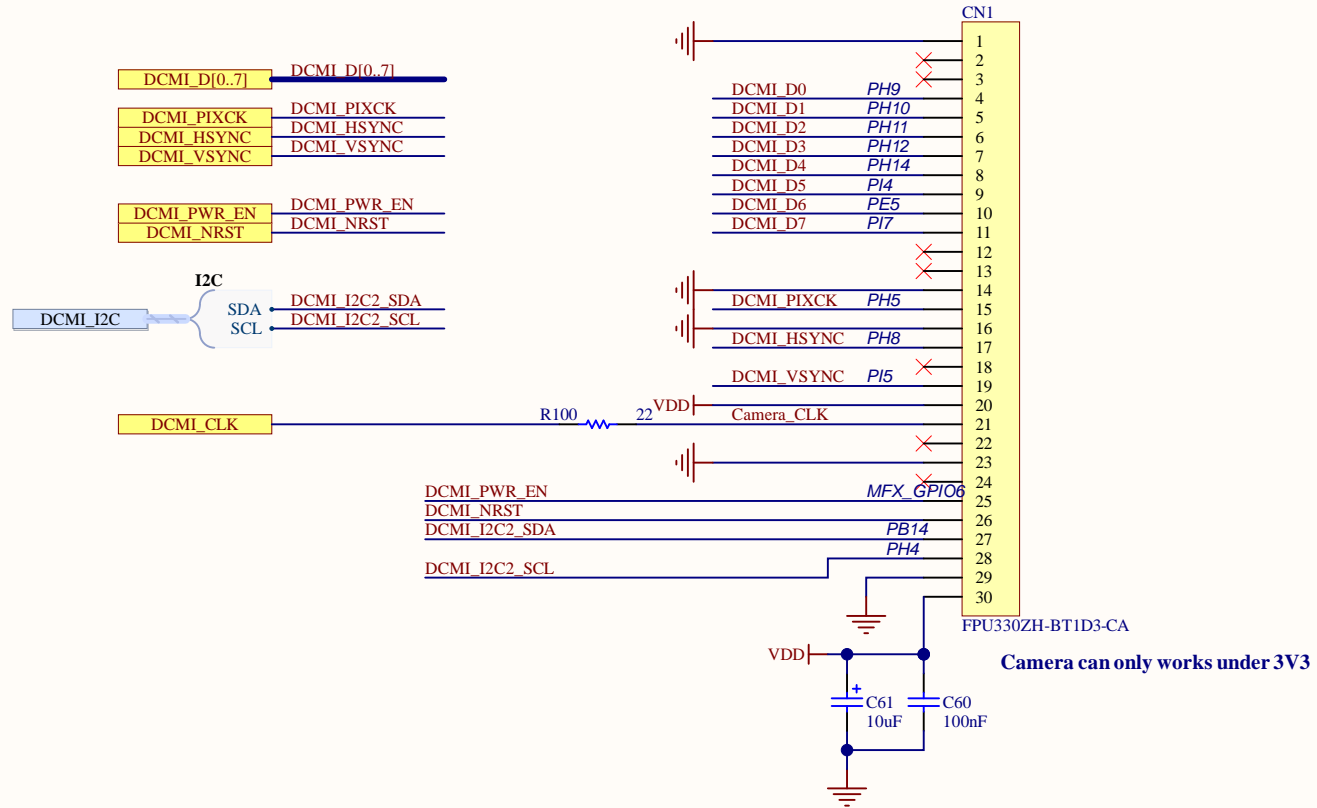
Backlight driver & FPC connector for LCD panel

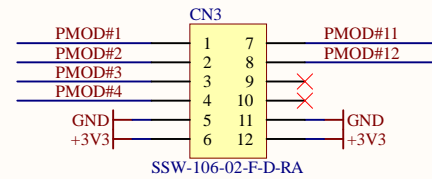
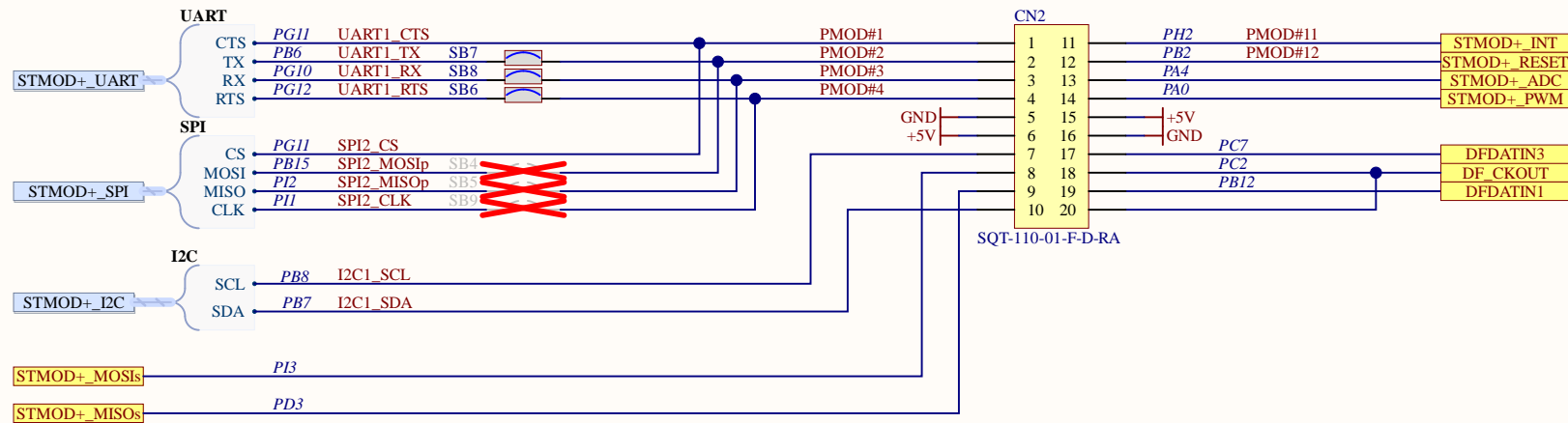


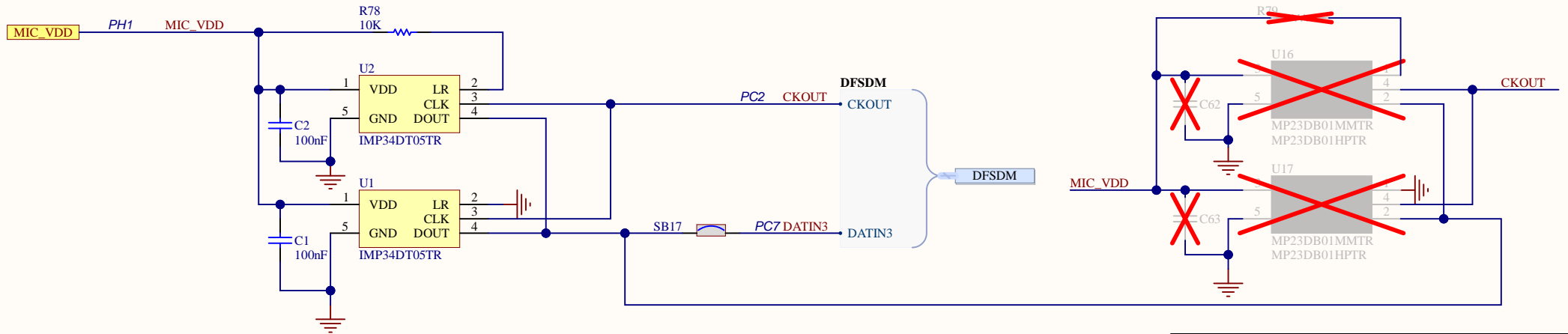
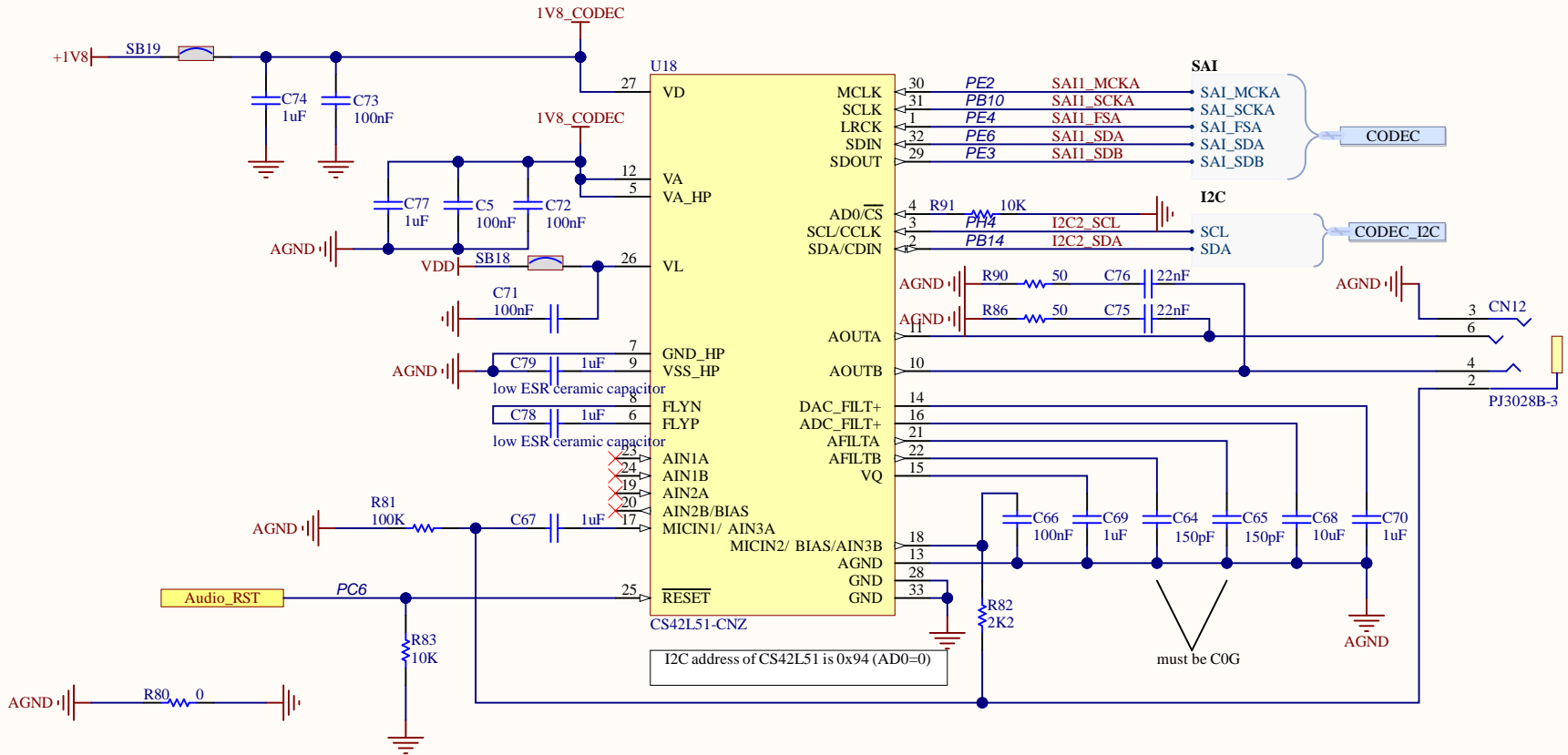


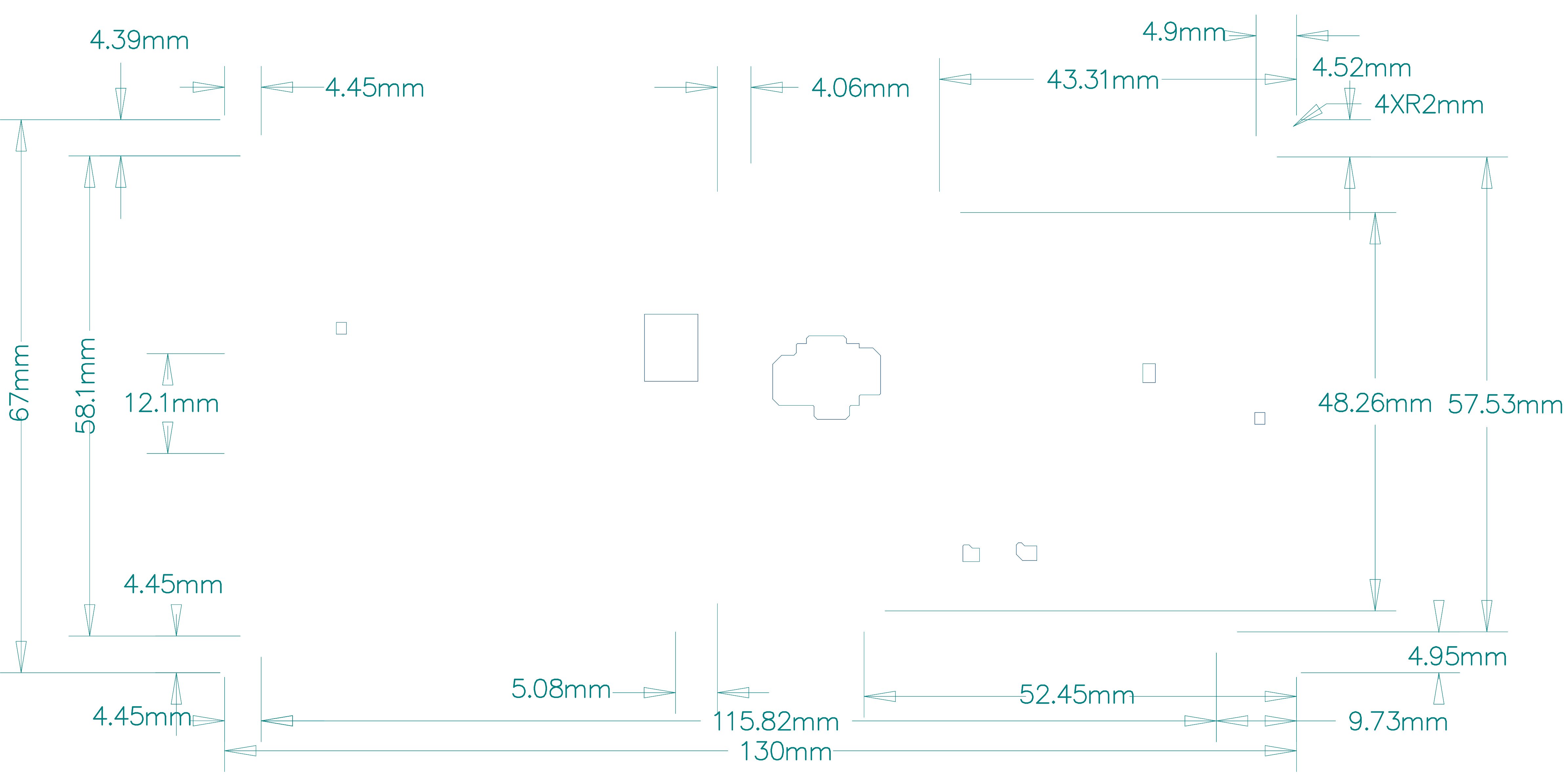












FAB DARWING & DRILL LEGEND

COMPANY NAME

LOGO

DATE

YY-MM-DD

YY-MM-DD

YY-MM-DD

PROJECT NAME *

TITLE

SCALE 1:1

SCALE 1:1

SIZE B

SIZE B

DWG NO *****

DWG NO *****

REV **

REV **

SHEET

SHEET

1 OF 1

1 OF 1

SIGNATURES

DRAWN

CHECKED

ENGRG

ISSUED

UNLESS OTHERWISE SPECIFIED

DIMENSIONS ARE IN INCHES

TOLERANCES ON:

3 PL DECIMALS +

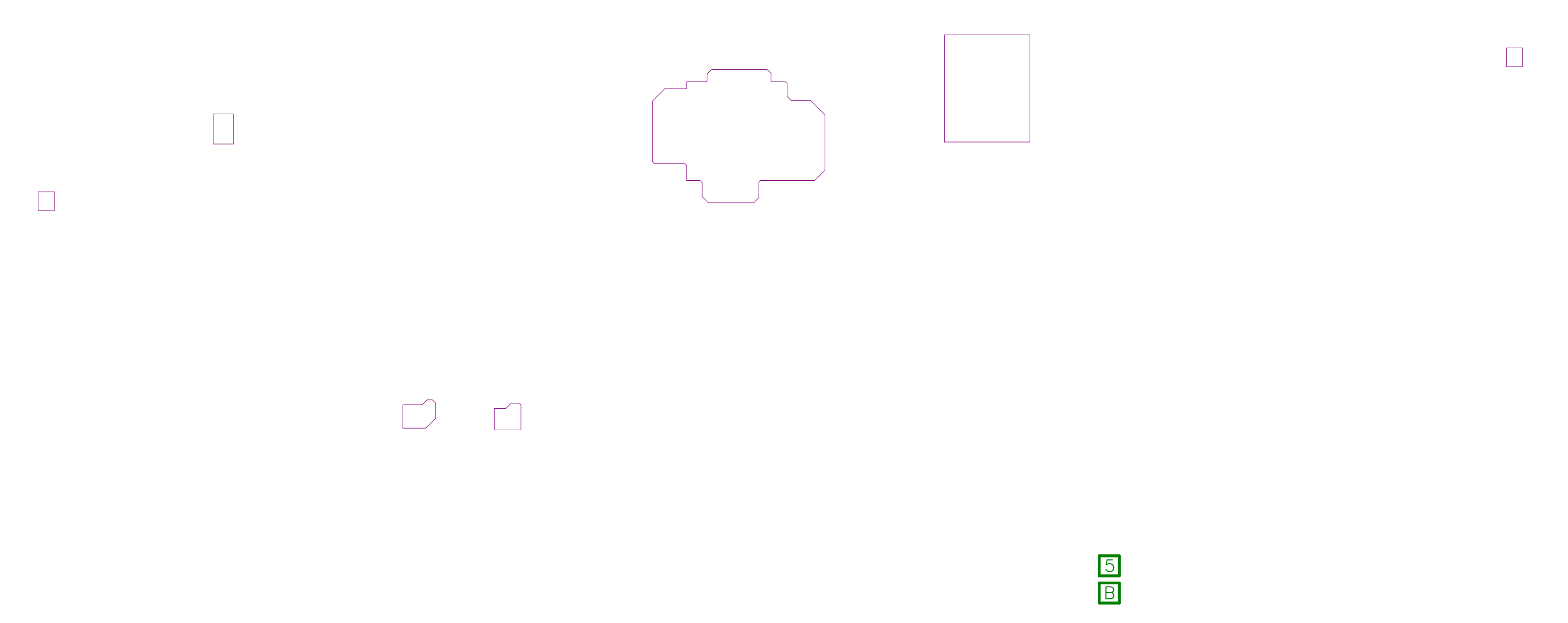
3 PL DECIMALS +

ANGLES +

ANGLES +

FRACTIONS +

FRACTIONS +



LAYER 2 (END PLANE)
2

