

# IoT Node Discovery Kit

---

MB1297

---

## Table of contents

---

Sheet 1: Project overview (this page)  
Sheet 2: Top  
Sheet 3: MCU 1/2  
Sheet 4: MCU 2/2  
Sheet 5: USB OTG FS  
Sheet 6: RF modules  
Sheet 7: MEMS Sensors  
Sheet 8: NFC & STSAFE  
Sheet 9: Power supply  
Sheet 10: Arduino Uno V3 connector  
Sheet 11: Peripherals  
Sheet 12: ST-Link/V2-1

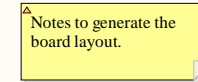
## Legend

---

General comment such as function title, configuration, ...

Text to be added to silkscreen.

Warning text.



## Open Platform License Agreement

---

The Open Platform License Agreement (“Agreement”) is a binding legal contract between you (“You”) and STMicroelectronics International N.V. (“ST”), a company incorporated under the laws of the Netherlands acting for the purpose of this Agreement through its Swiss branch 39, Chemin du Champ des Filles, 1228 Plan-les-Ouates, Geneva, Switzerland.

By using the enclosed reference designs, schematics, PC board layouts, and documentation, in hardcopy or CAD tool file format (collectively, the “Reference Material”), You are agreeing to be bound by the terms and conditions of this Agreement. Do not use the Reference Material until You have read and agreed to this Agreement terms and conditions. The use of the Reference Material automatically implies the acceptance of the Agreement terms and conditions.

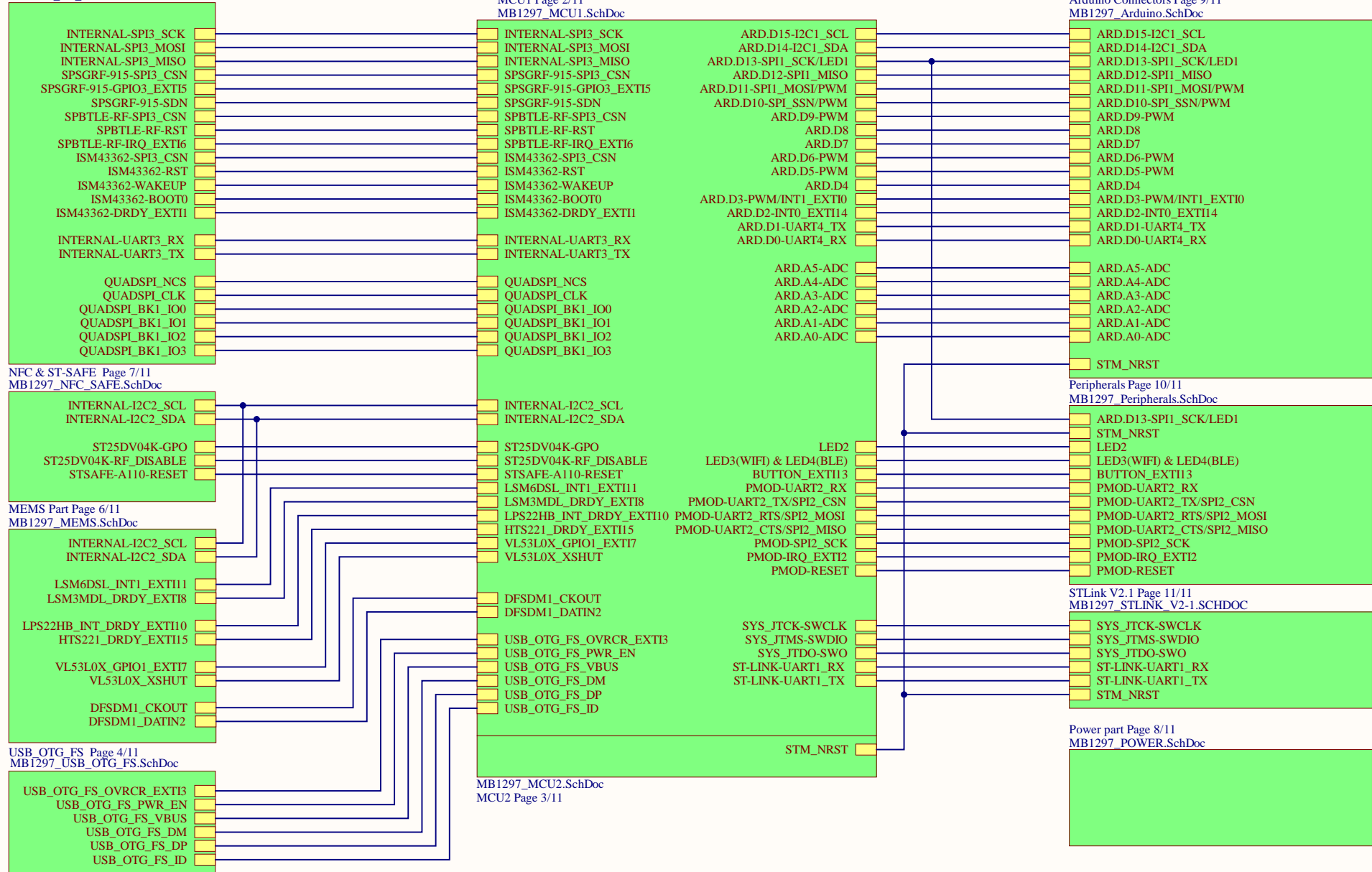
The complete Open Platform License Agreement can be found on [www.st.com/opla](http://www.st.com/opla).

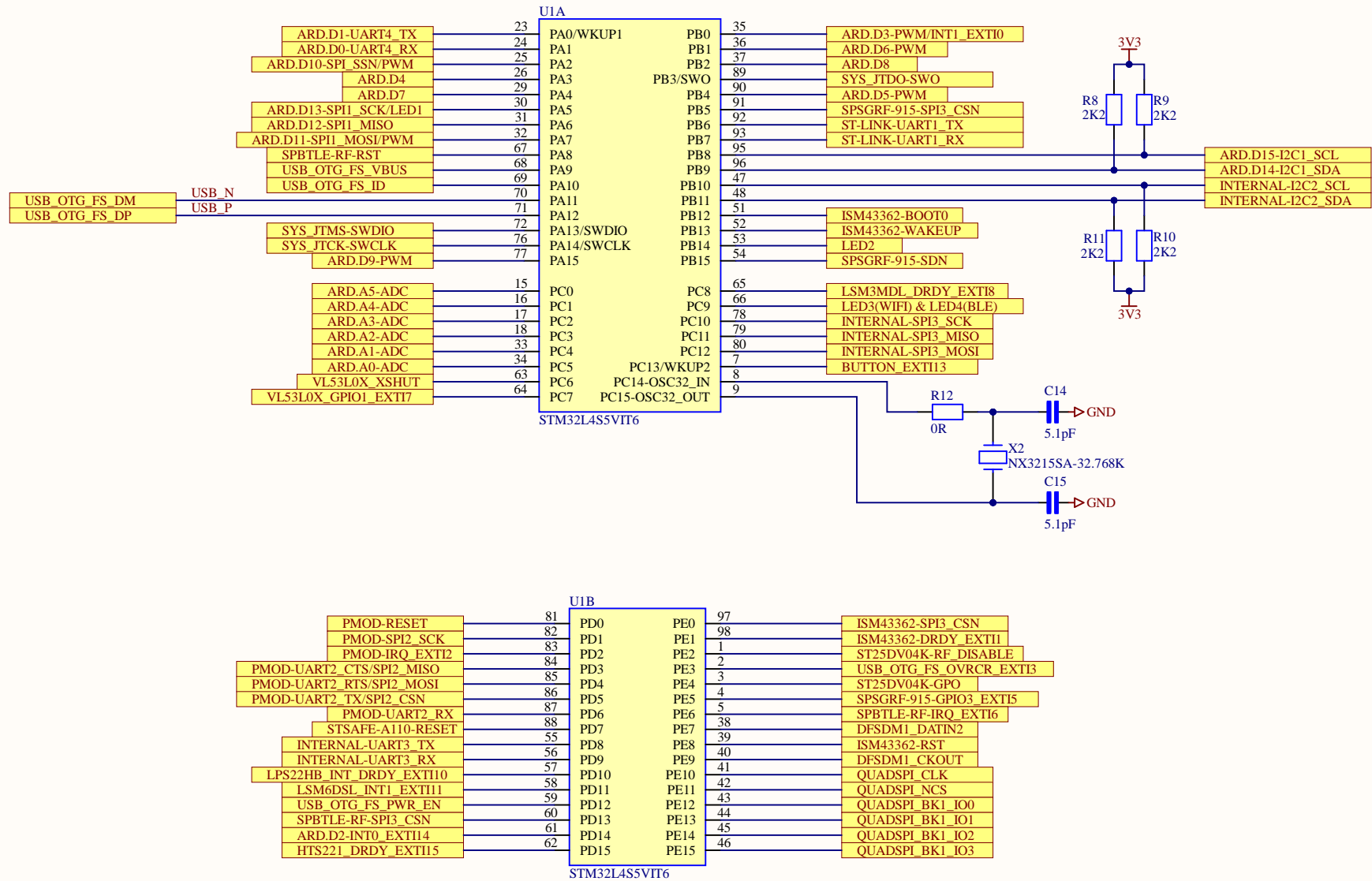
U\_Top  
Top.SchDoc

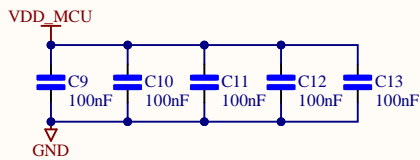
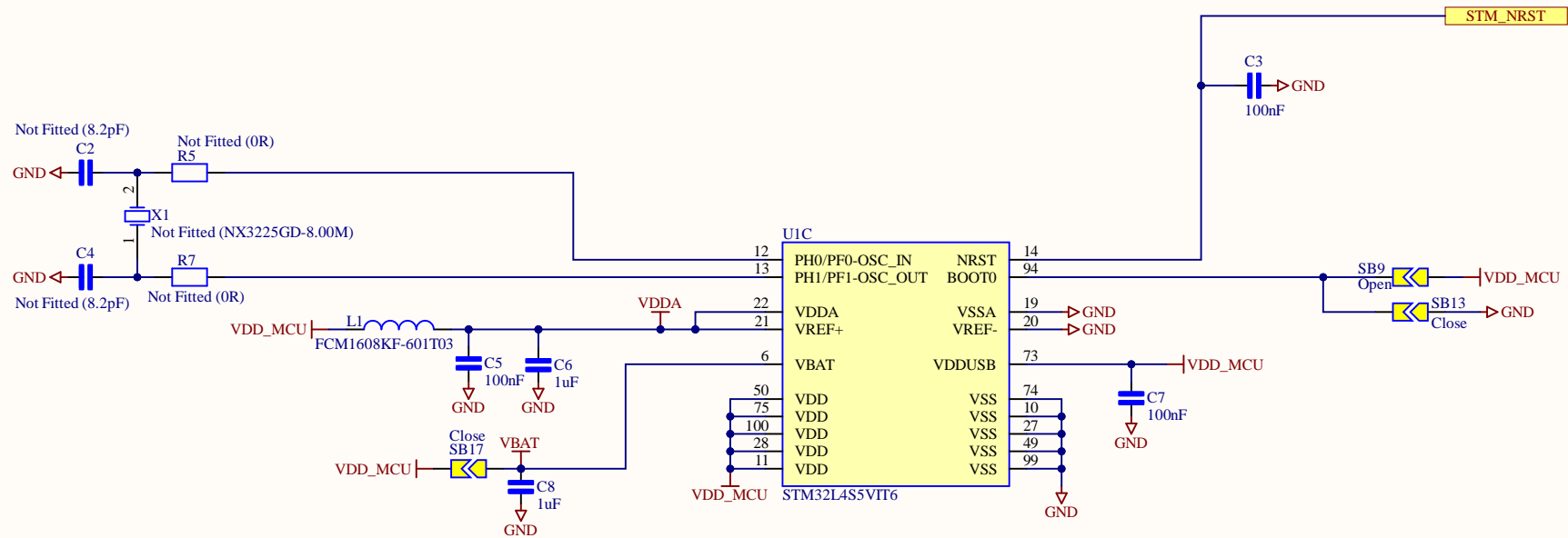


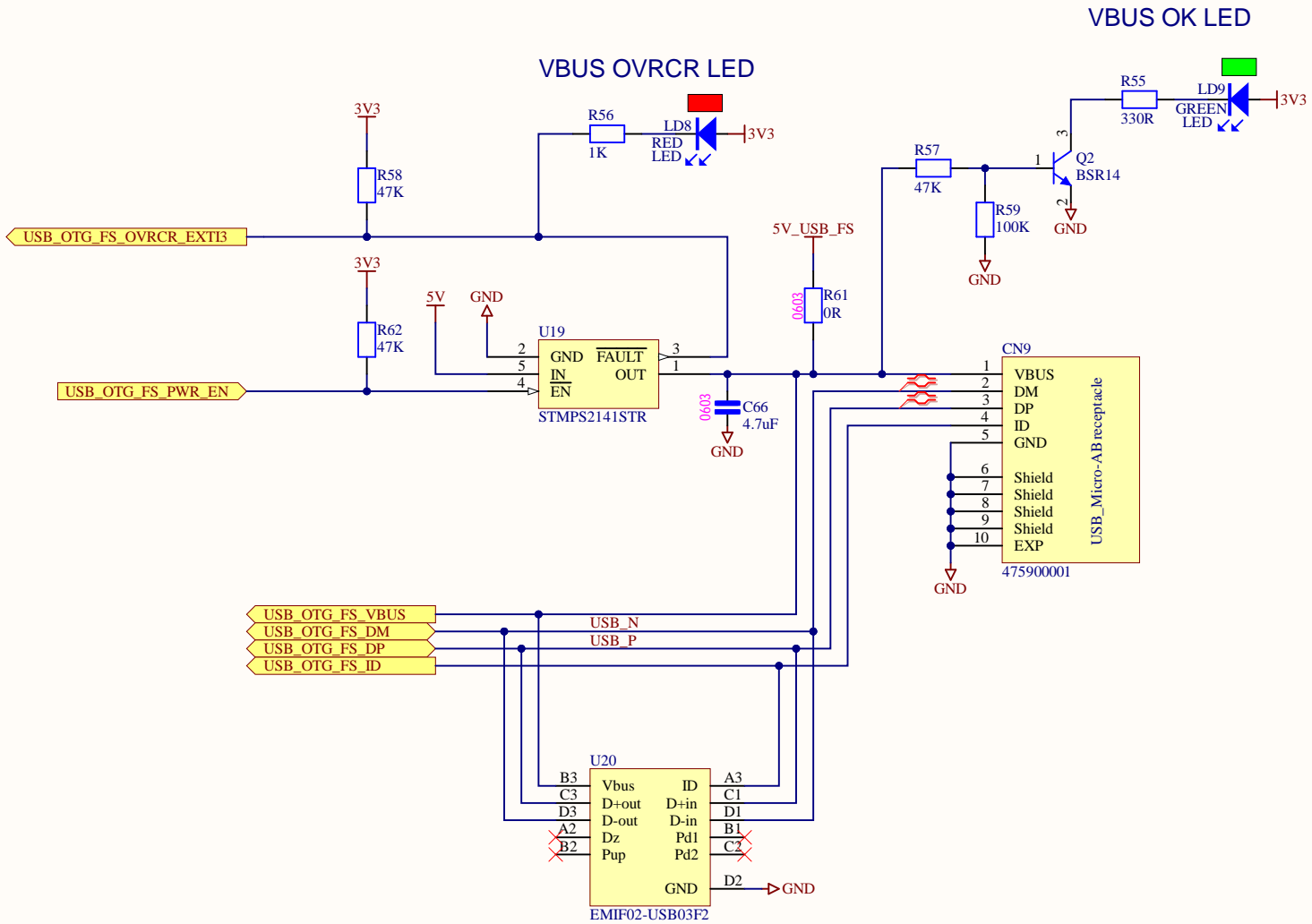
Title: <b>Overview</b>		
Project: <b>IoT Node Discovery Kit</b>		
Variant: L475VG-915		
Revision: E-02		Reference: MB1297
Size: A4	Date: 05-FEB-21	Sheet: 1 of 12





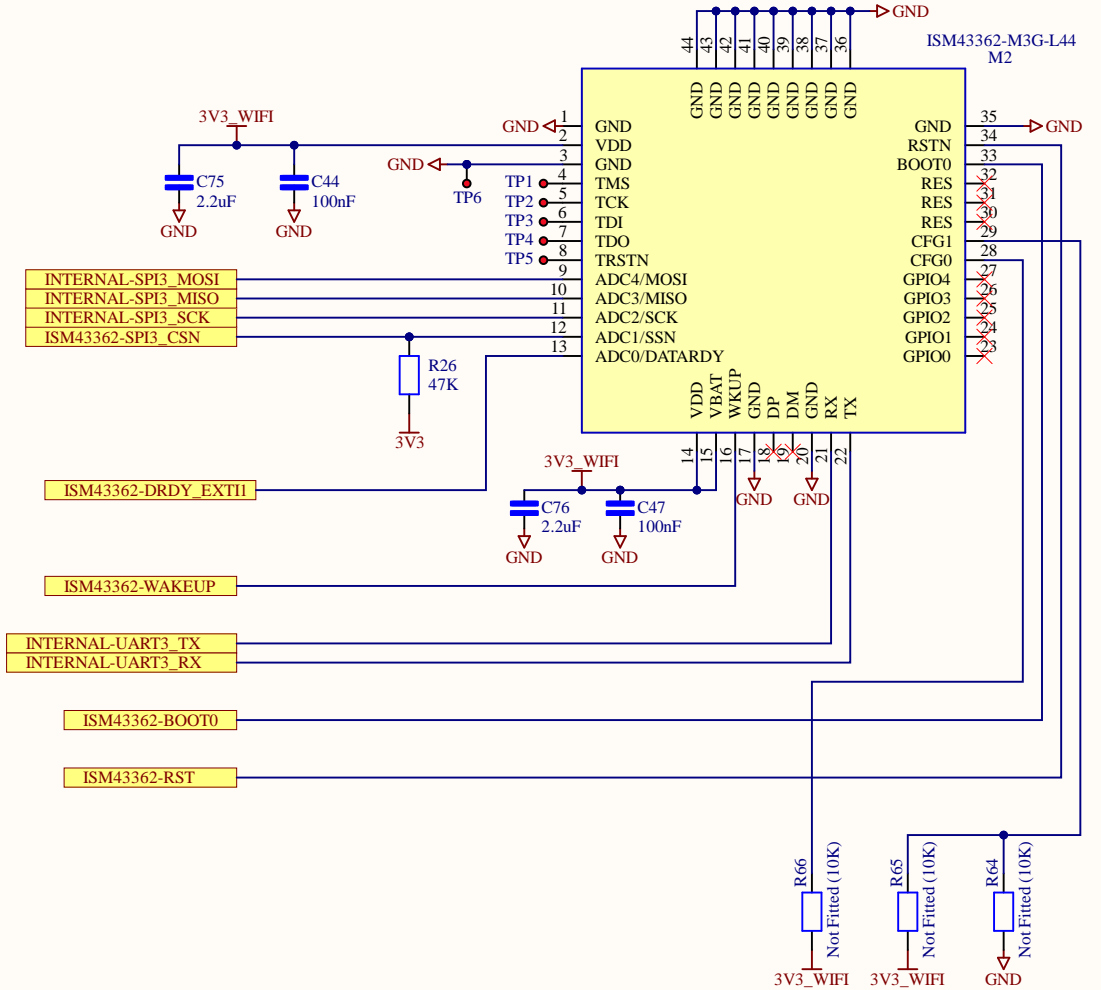
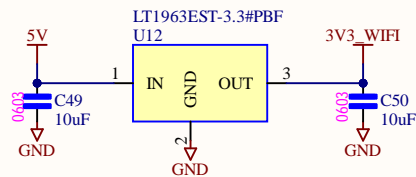
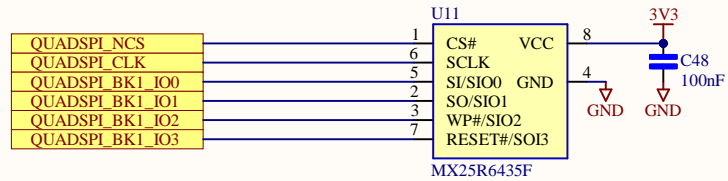
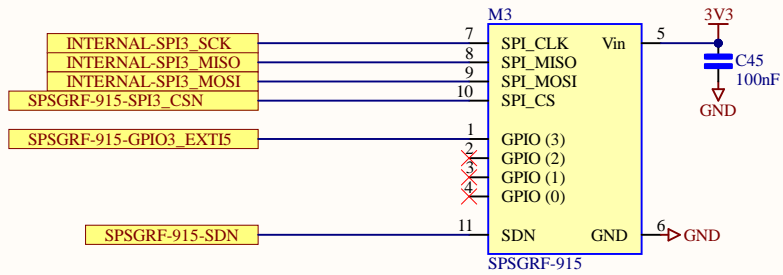
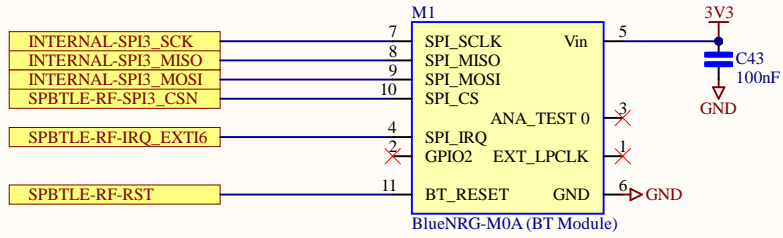


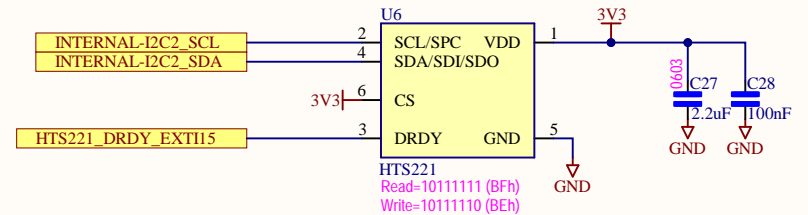
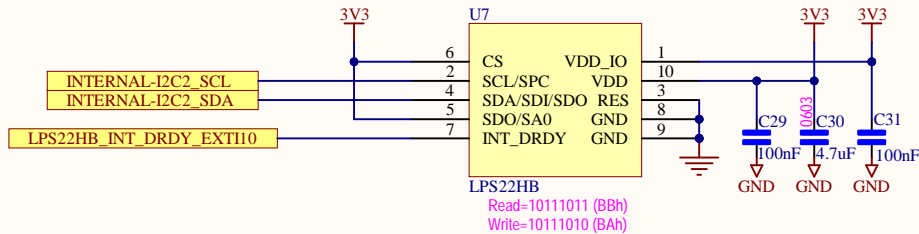
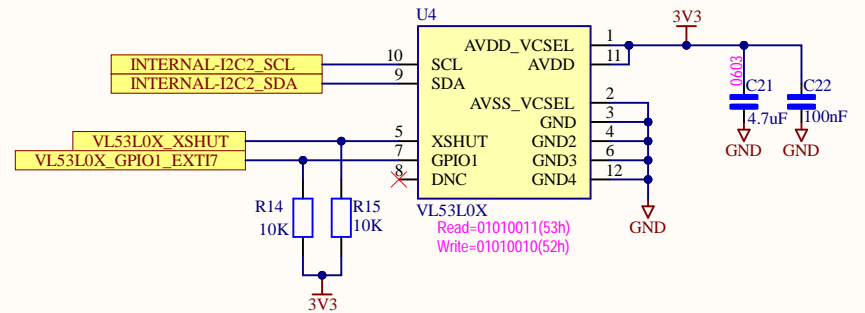
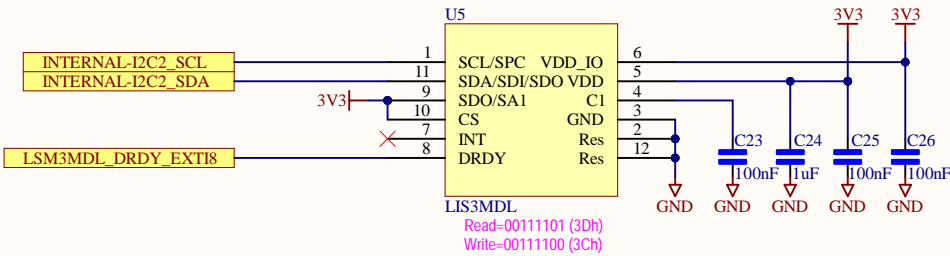
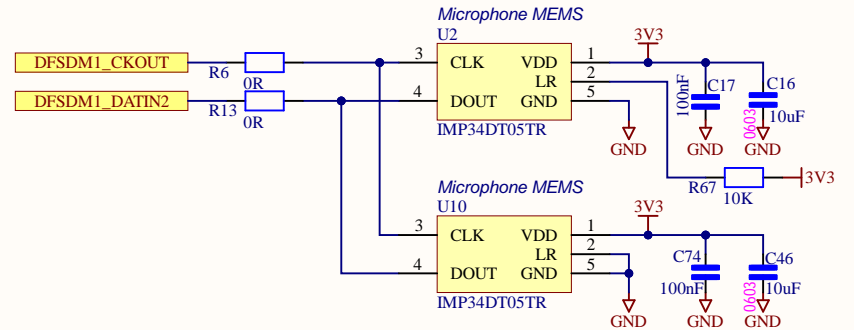
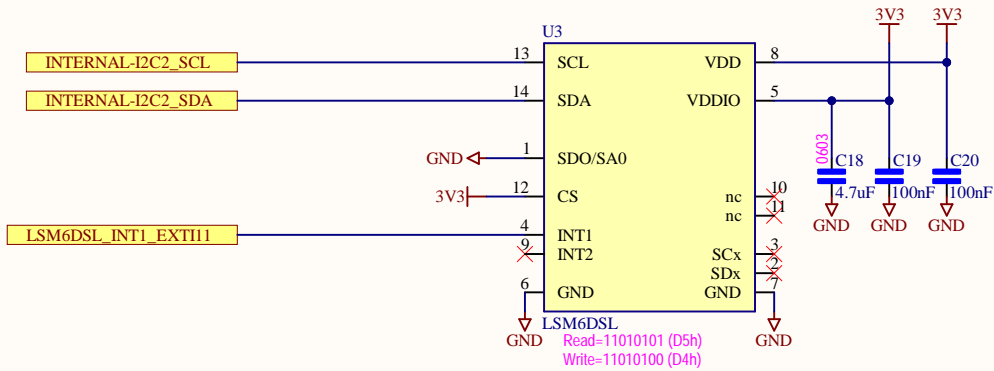


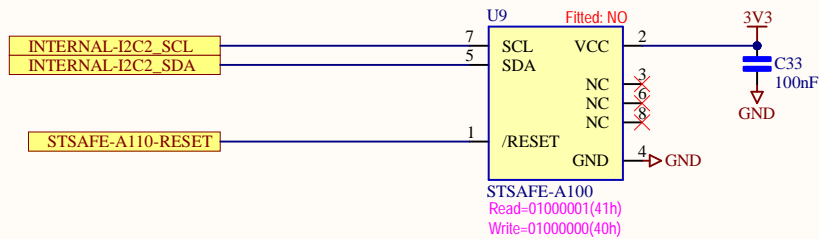
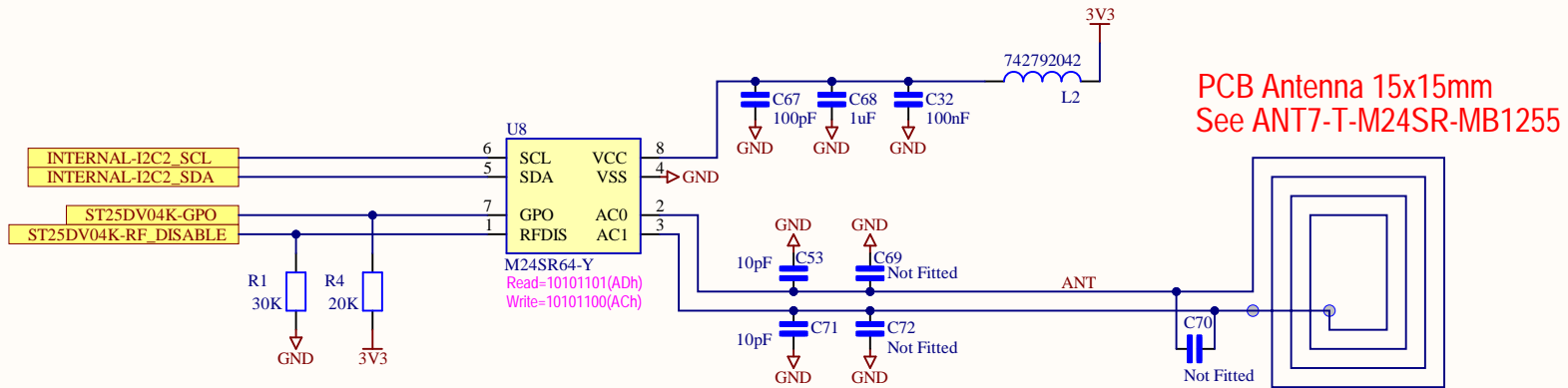


ESD PROTECTION SHOULD BE CLOSE TO THE CONNECTOR

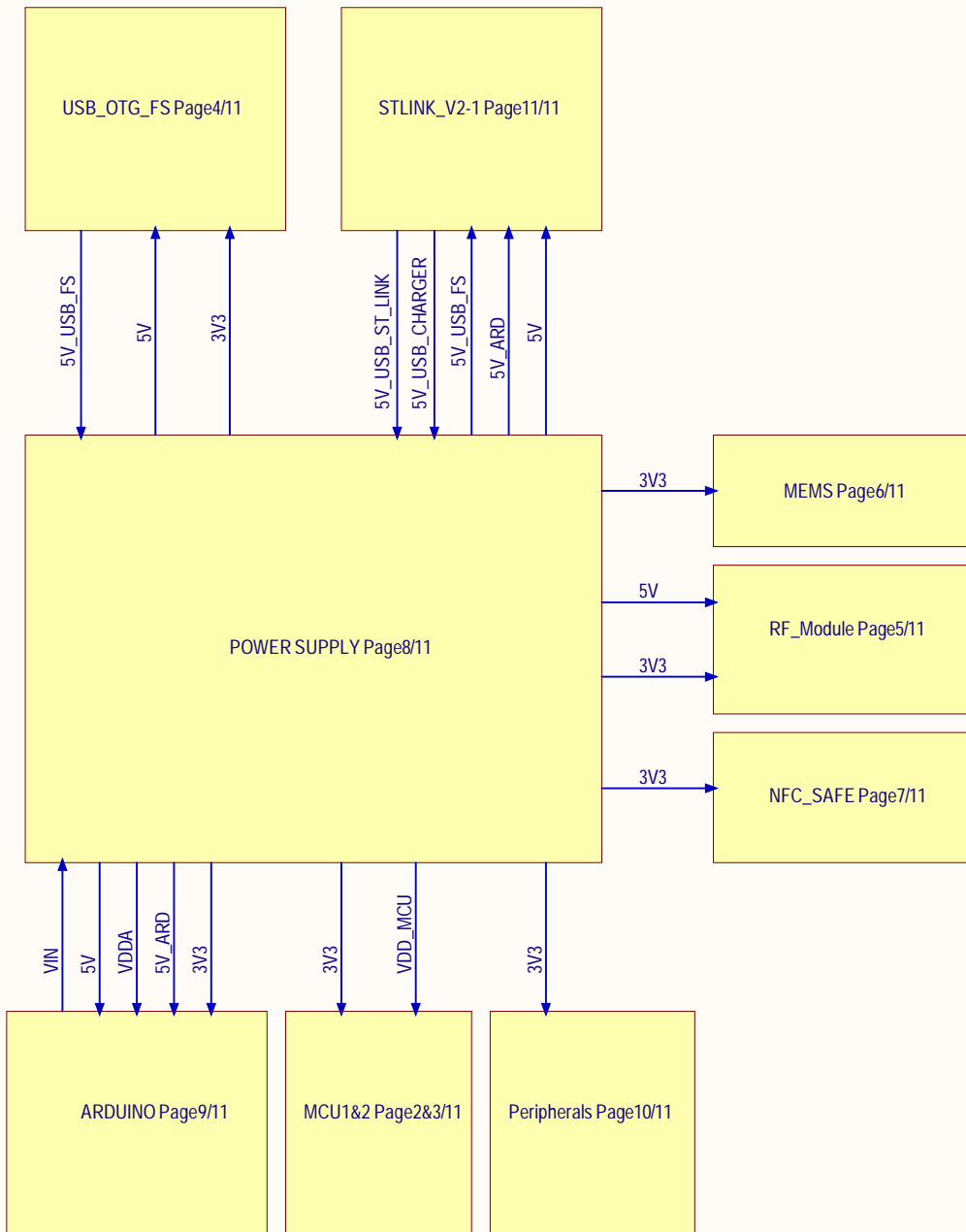




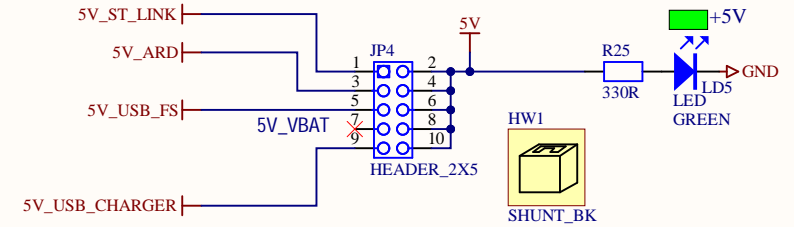




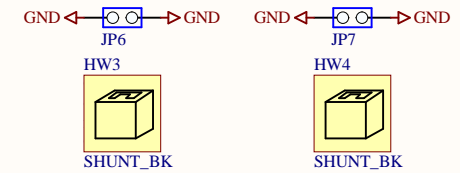




### 5V PWR SELECTION FROM EXTERNAL SOURCES

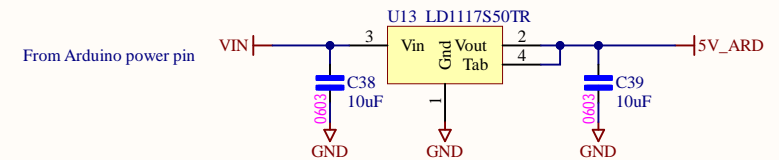


### GND PROBE



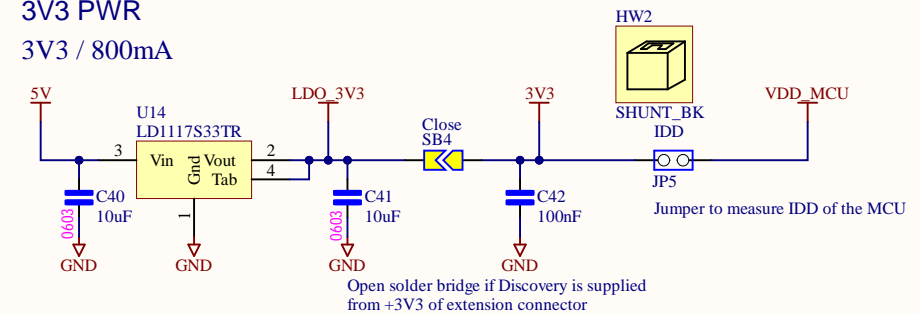
### 5V INPUT PWR FROM ARDUINO

5V / 800mA

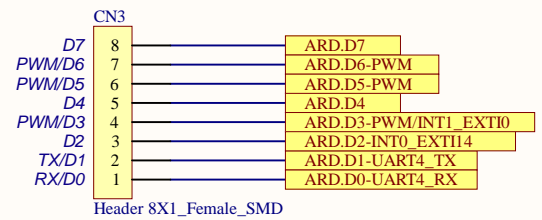
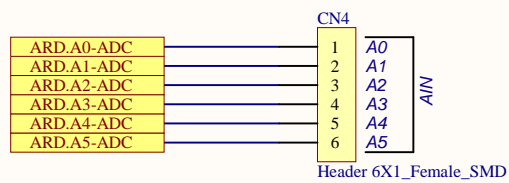
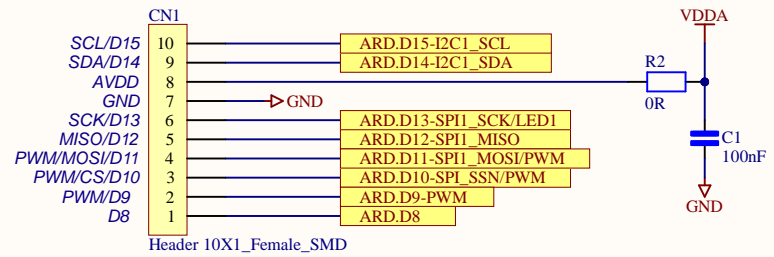
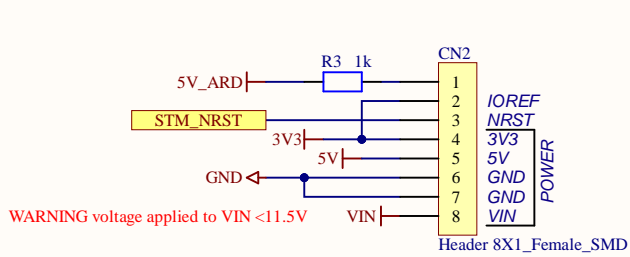


### 3V3 PWR

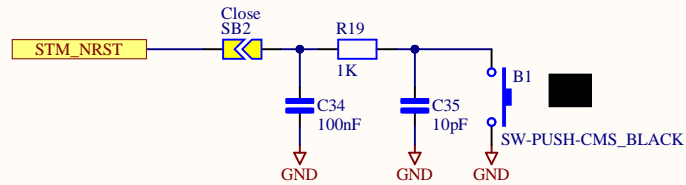
3V3 / 800mA



# ARDUINO UNO connector

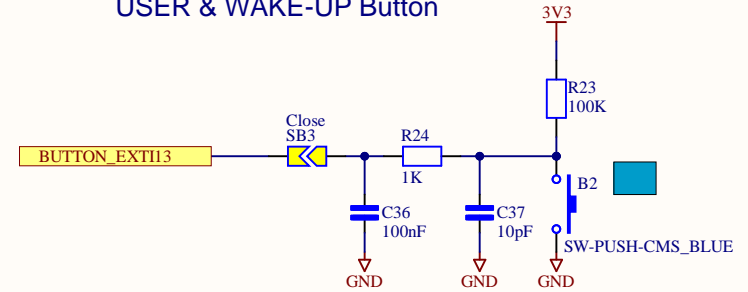


## RESET BUTTON



100nF should be place close to the MCU  
10pF and 1K should be place close to the button

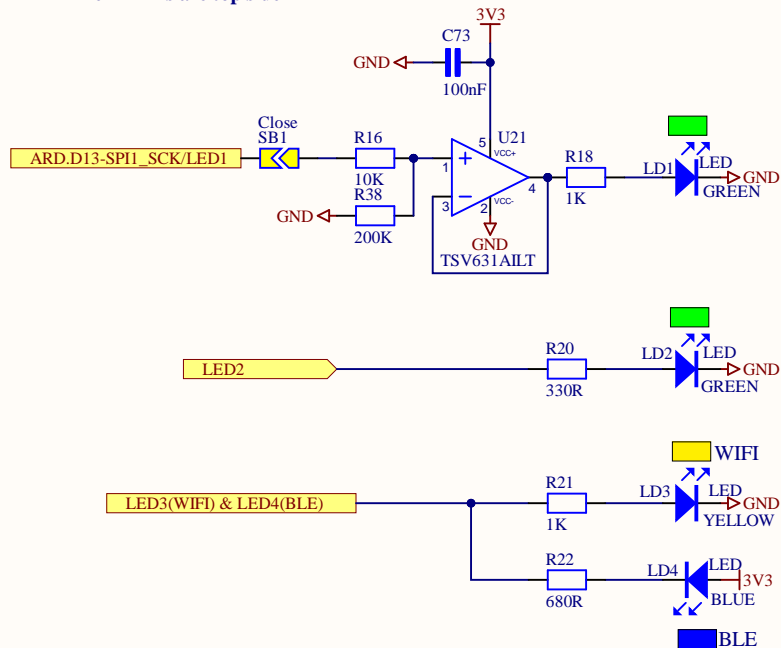
## USER & WAKE-UP Button



100nF should be place close to the MCU  
10pF and 1K should be place close to the button

## USER LED

The 2 LEDs are top side



## PMOD

