

# NUCLEO64-MiniBoard

---

MB1801

---

## Table of contents

---

- Sheet 1: Project overview (this page)
- Sheet 2: Top
- Sheet 3: Extension Connectors
- Sheet 4: Accessories (Push Buttons, LEDs, USB,...)
- Sheet 5: Power Management
- Sheet 6: STLINK-V3MODS & Level Shifter

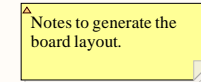
## Legend

---

General comment such as function title, configuration, ...

Text to be added to silkscreen.

Warning text.



## Open Platform License Agreement

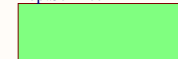
---

The Open Platform License Agreement (“Agreement”) is a binding legal contract between you (“You”) and STMicroelectronics International N.V. (“ST”), a company incorporated under the laws of the Netherlands acting for the purpose of this Agreement through its Swiss branch 39, Chemin du Champ des Filles, 1228 Plan-les-Ouates, Geneva, Switzerland.

By using the enclosed reference designs, schematics, PC board layouts, and documentation, in hardcopy or CAD tool file format (collectively, the “Reference Material”), You are agreeing to be bound by the terms and conditions of this Agreement. Do not use the Reference Material until You have read and agreed to this Agreement terms and conditions. The use of the Reference Material automatically implies the acceptance of the Agreement terms and conditions.

The complete Open Platform License Agreement can be found on [www.st.com/opla](http://www.st.com/opla).

Top  
Top.SchDoc



HW1



PCB  
MB1801

HW2

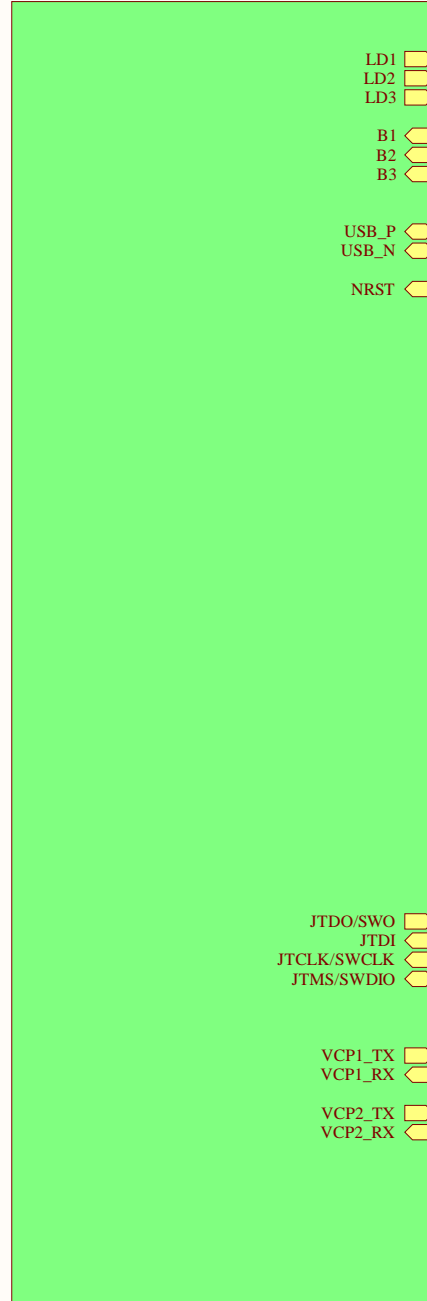


STICKER BOARD  
Sticker board

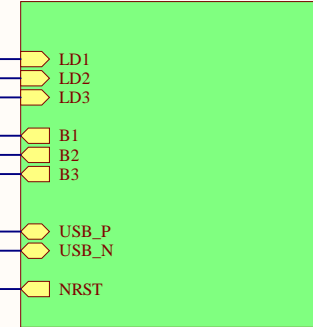
Title: <b>Project overview</b>		
Project: <b>NUCLEO64-MiniBoard</b>		
Variant: NoUSB		
Revision: A-01		Reference: MB1801
Size: A4	Date: 17-OCT-2021	Sheet: 1 of 6



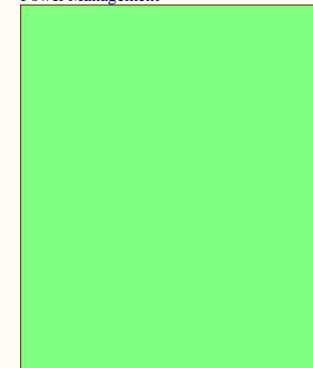
Extension Connectors



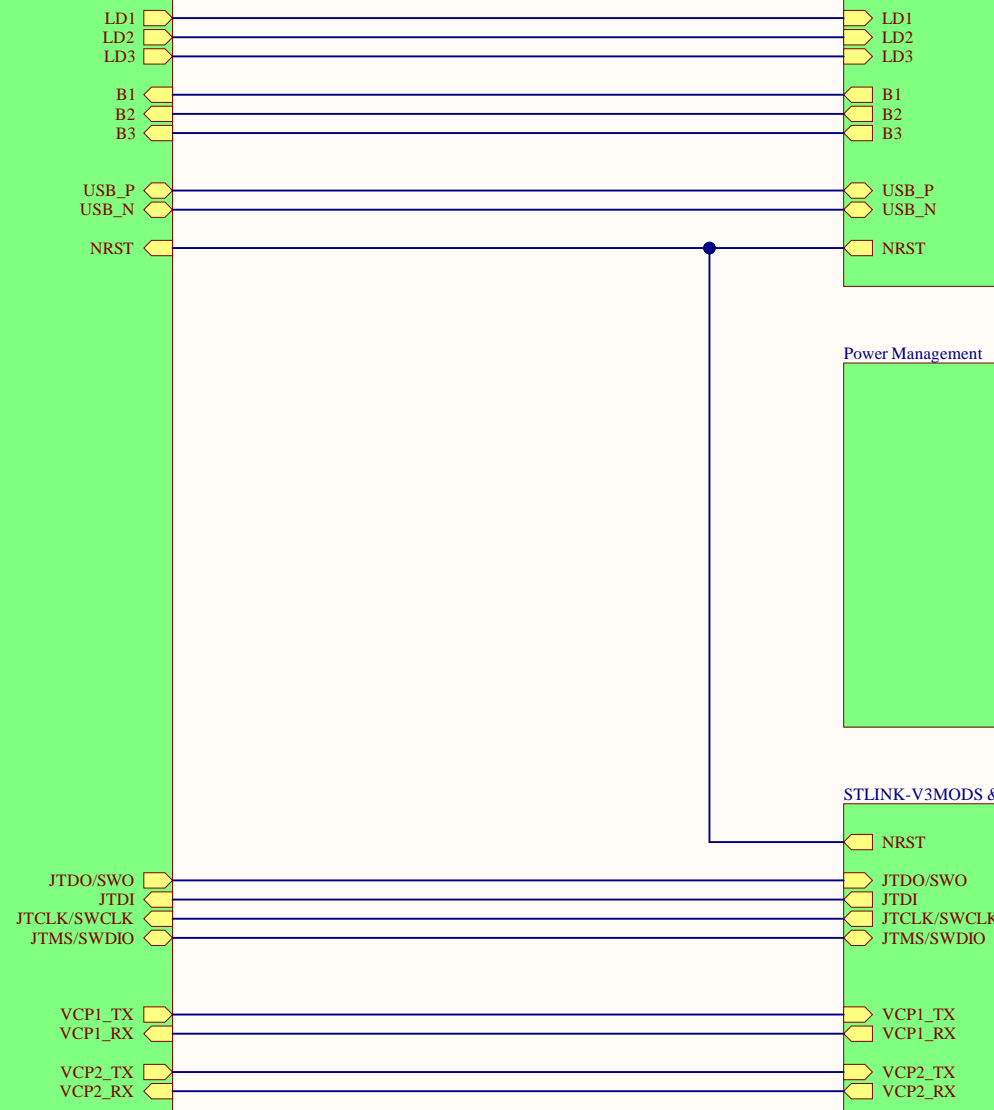
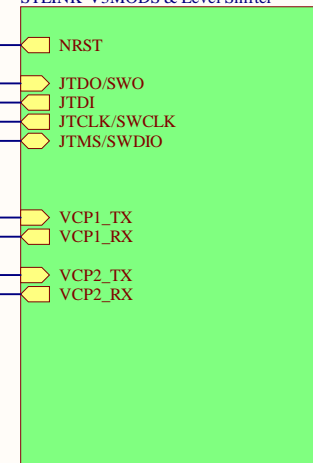
LEDs & Push Buttons & USB-C Connector

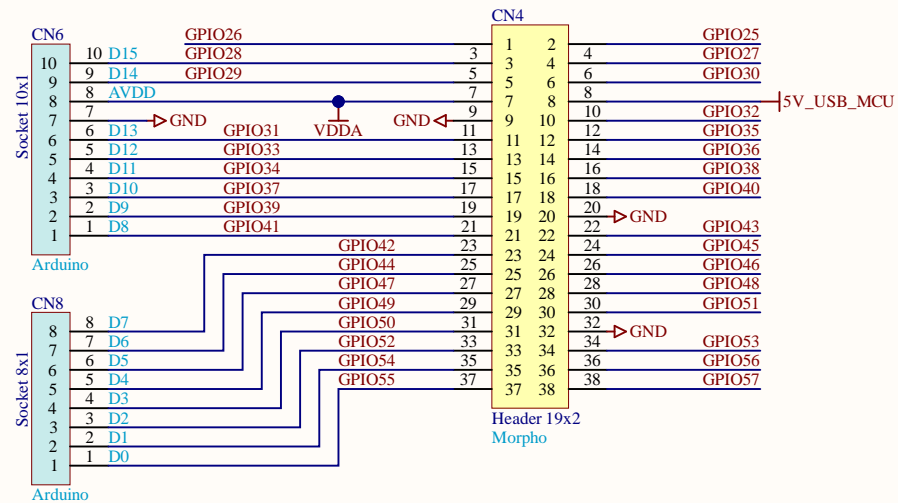
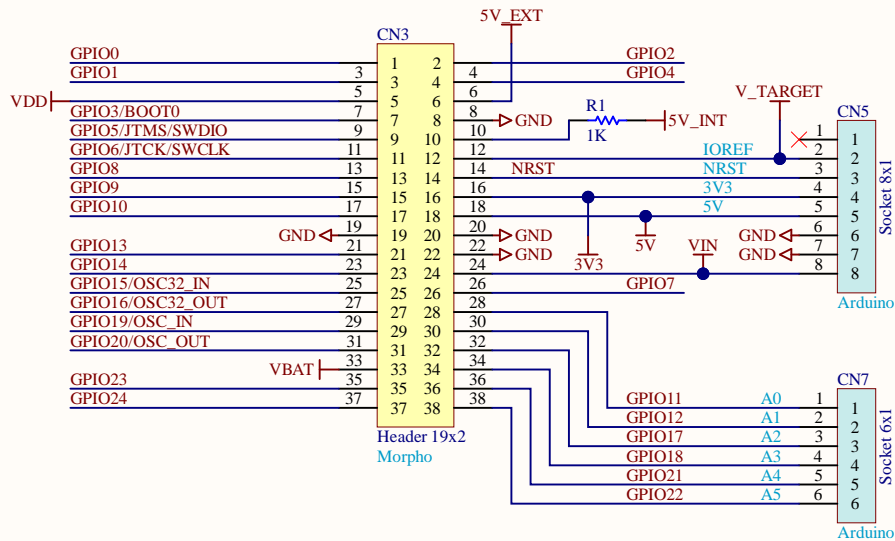


Power Management



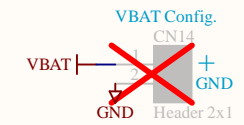
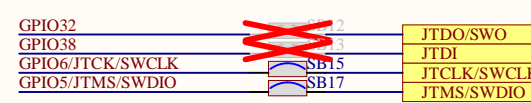
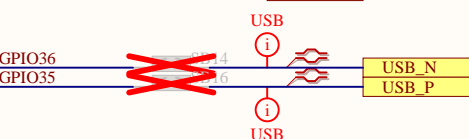
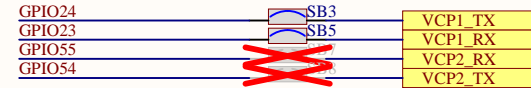
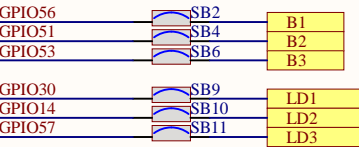
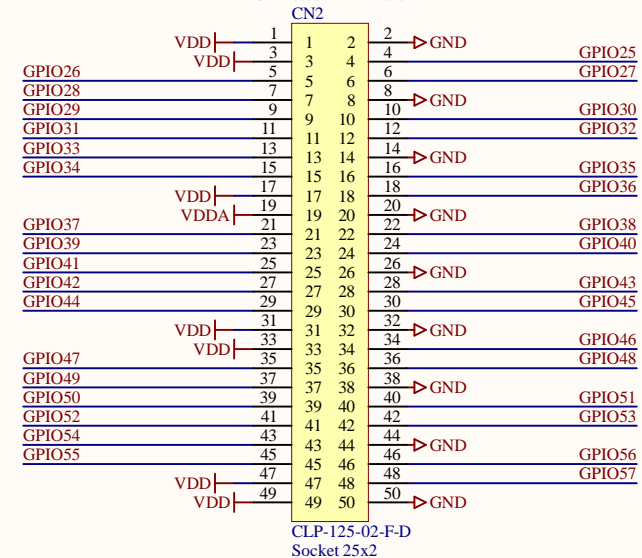
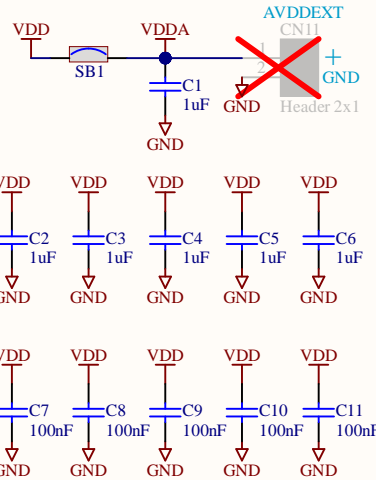
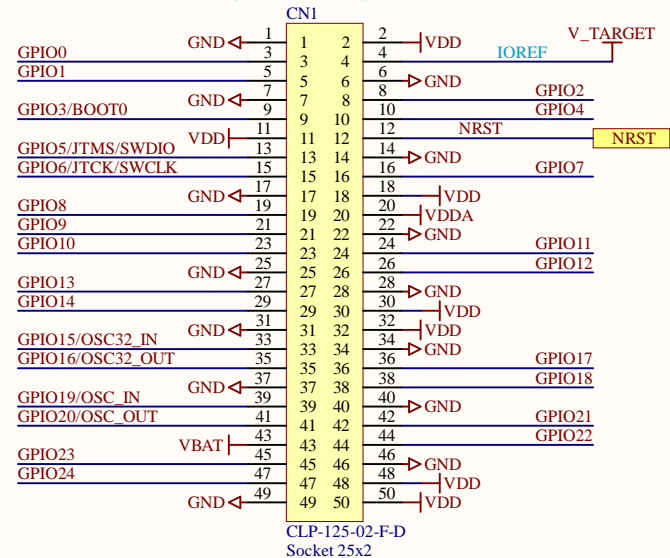
STLINK-V3MODS & Level Shifter

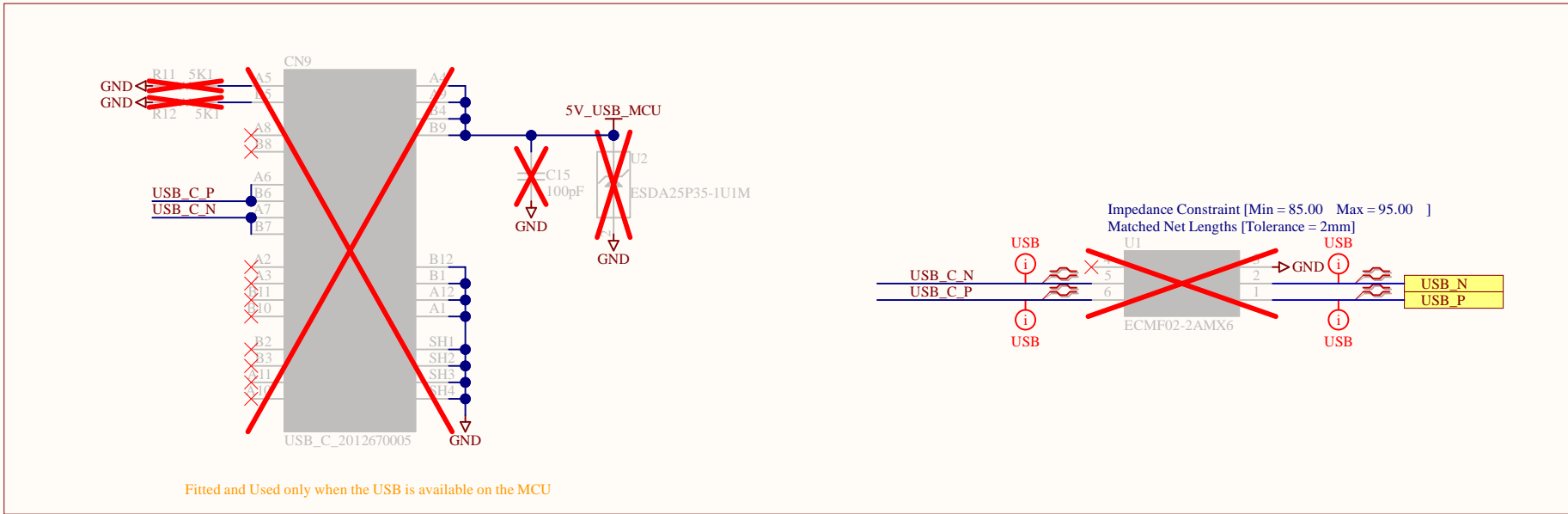
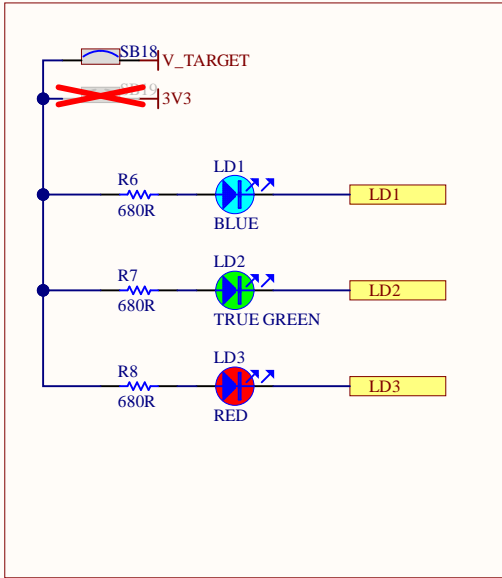
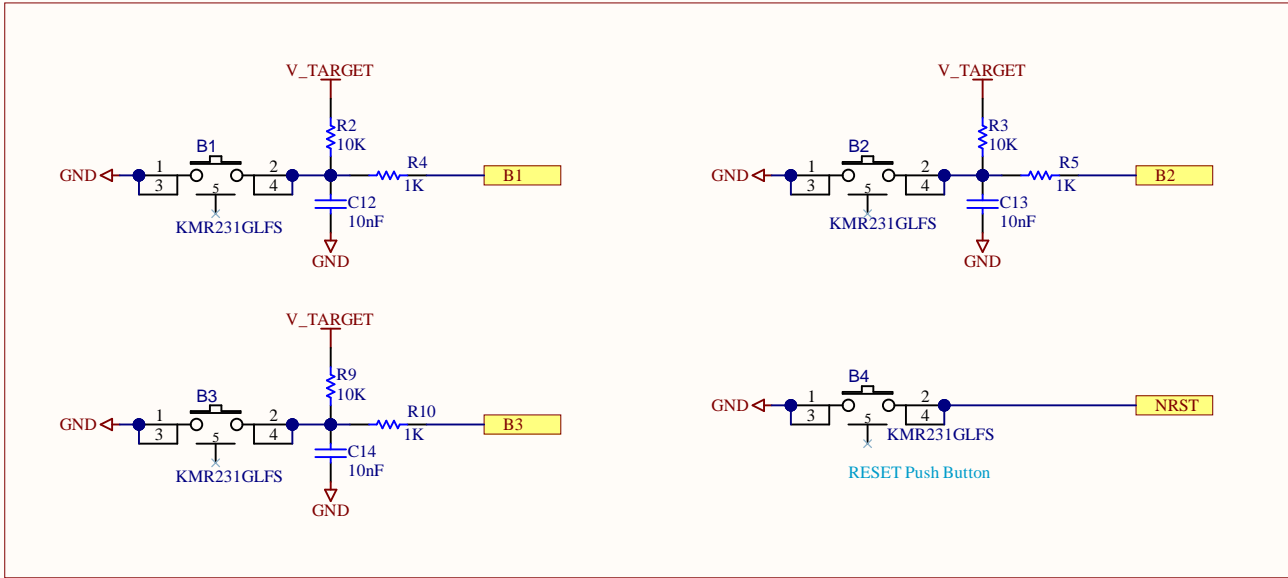




Connector MiniBoard

Connector MiniBoard

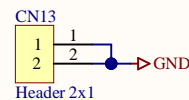
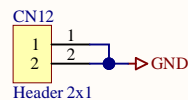
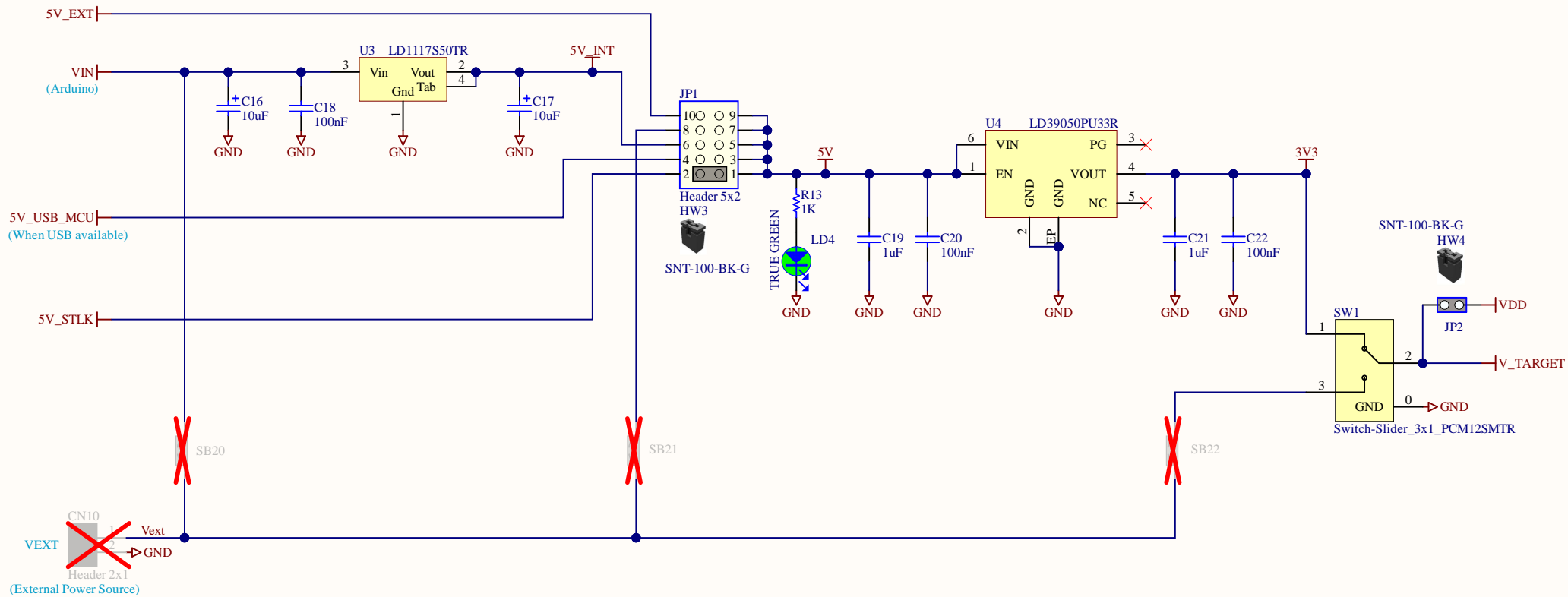




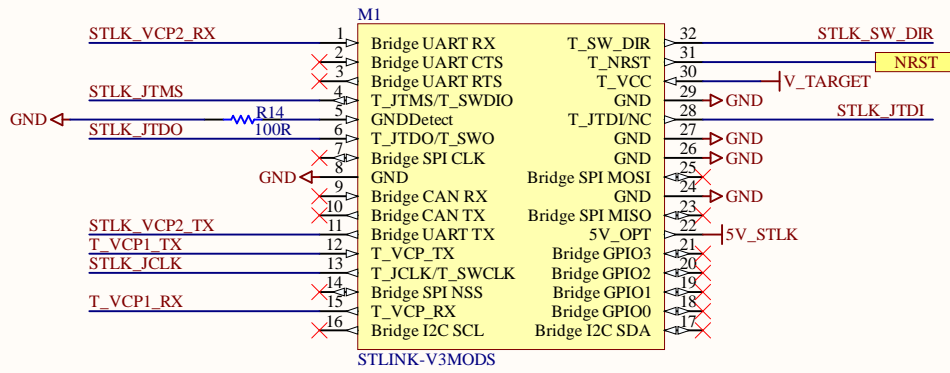
Fitted and Used only when the USB is available on the MCU



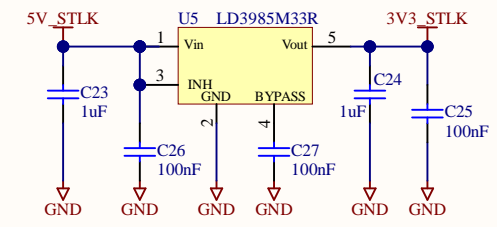




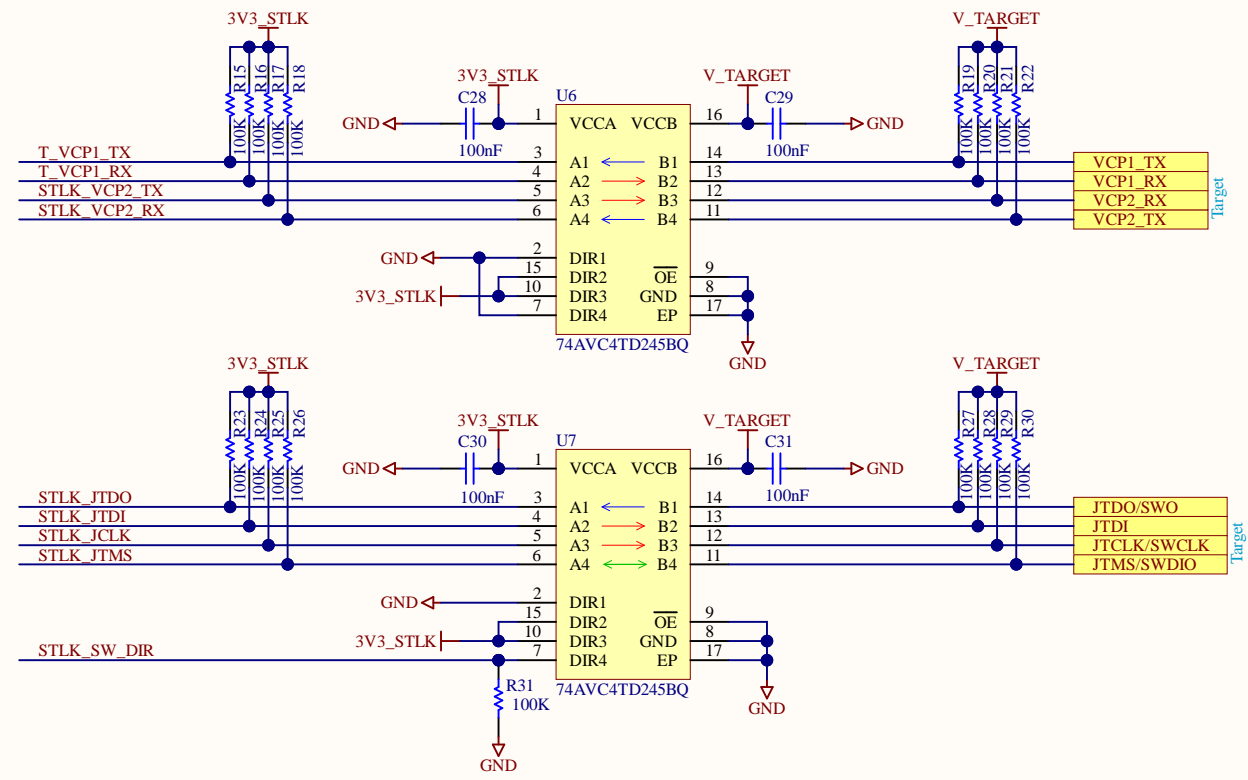
Title: <b>Power Management</b>		
Project: <b>NUCLEO64-MiniBoard</b>		
Variant: NoUSB		
Revision: A-01	Reference: MB1801	
Size: A4	Date: 17-OCT-2021	



Module STLINK-V3MODS



3V3 Supply from 5V provided by STLINK-V3MODS



Level Shifters



Project: NUCLEO64-MiniBoard

Layer: M14-Top Assembly

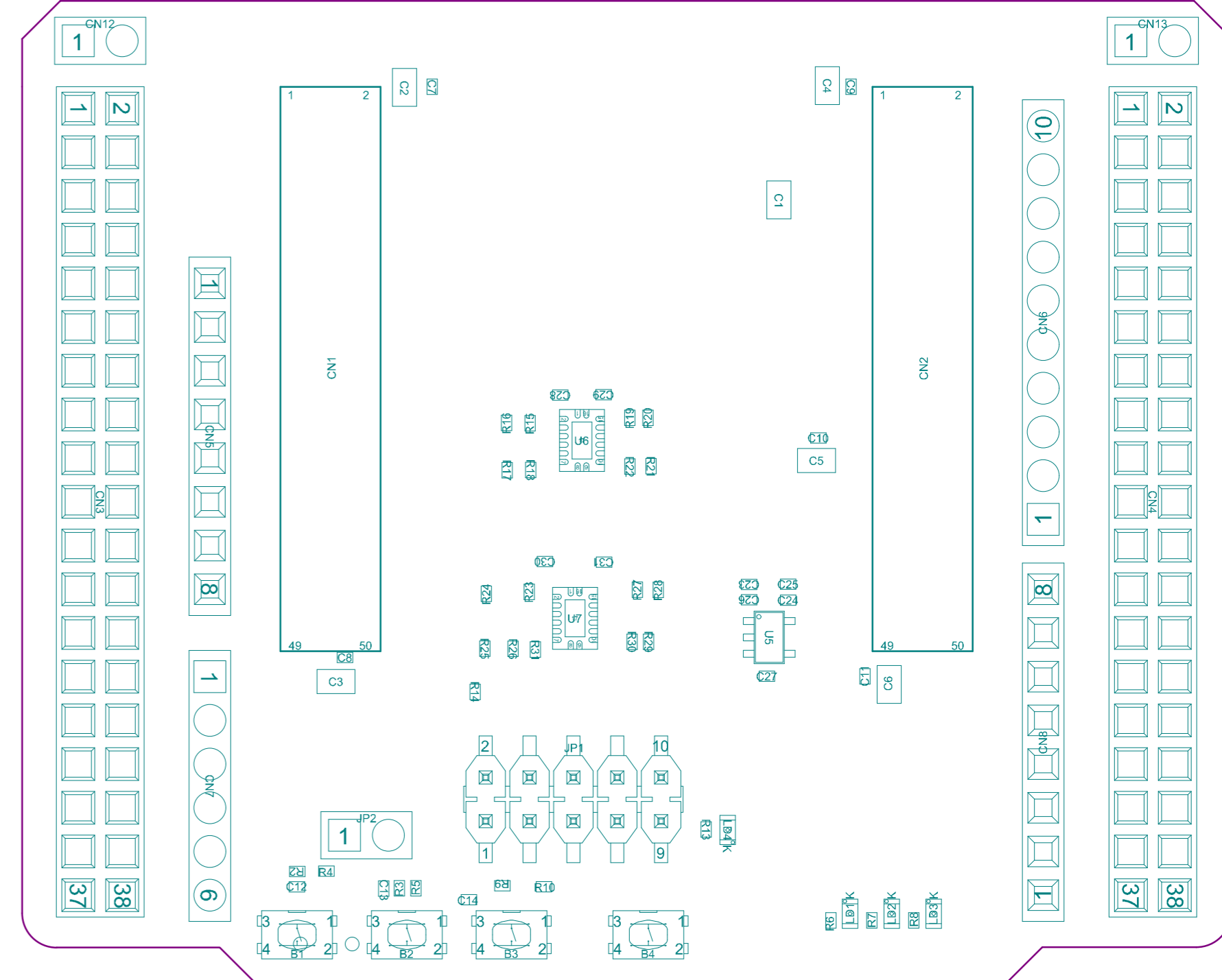
Gerber: .GM14

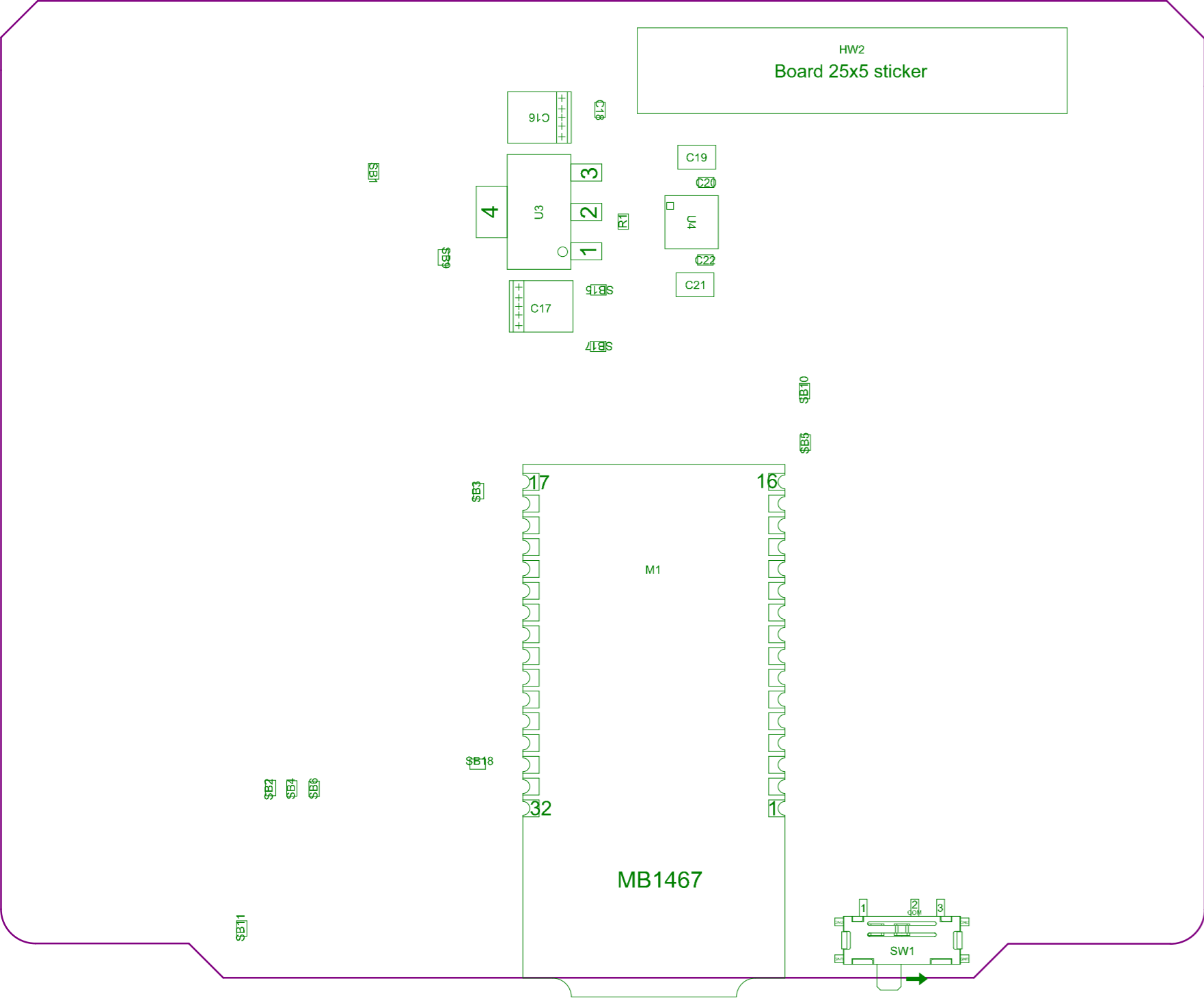
Variant: NoUSB

Ref: MB1801

Date: 17-OCT-2021

Rev: A





Project: NUCLEO64-MiniBoard

Layer: M15-Bottom Assembly

Gerber: .GM15

Variant: NoUSB

Ref: MB1801

Date: 17-OCT-2021

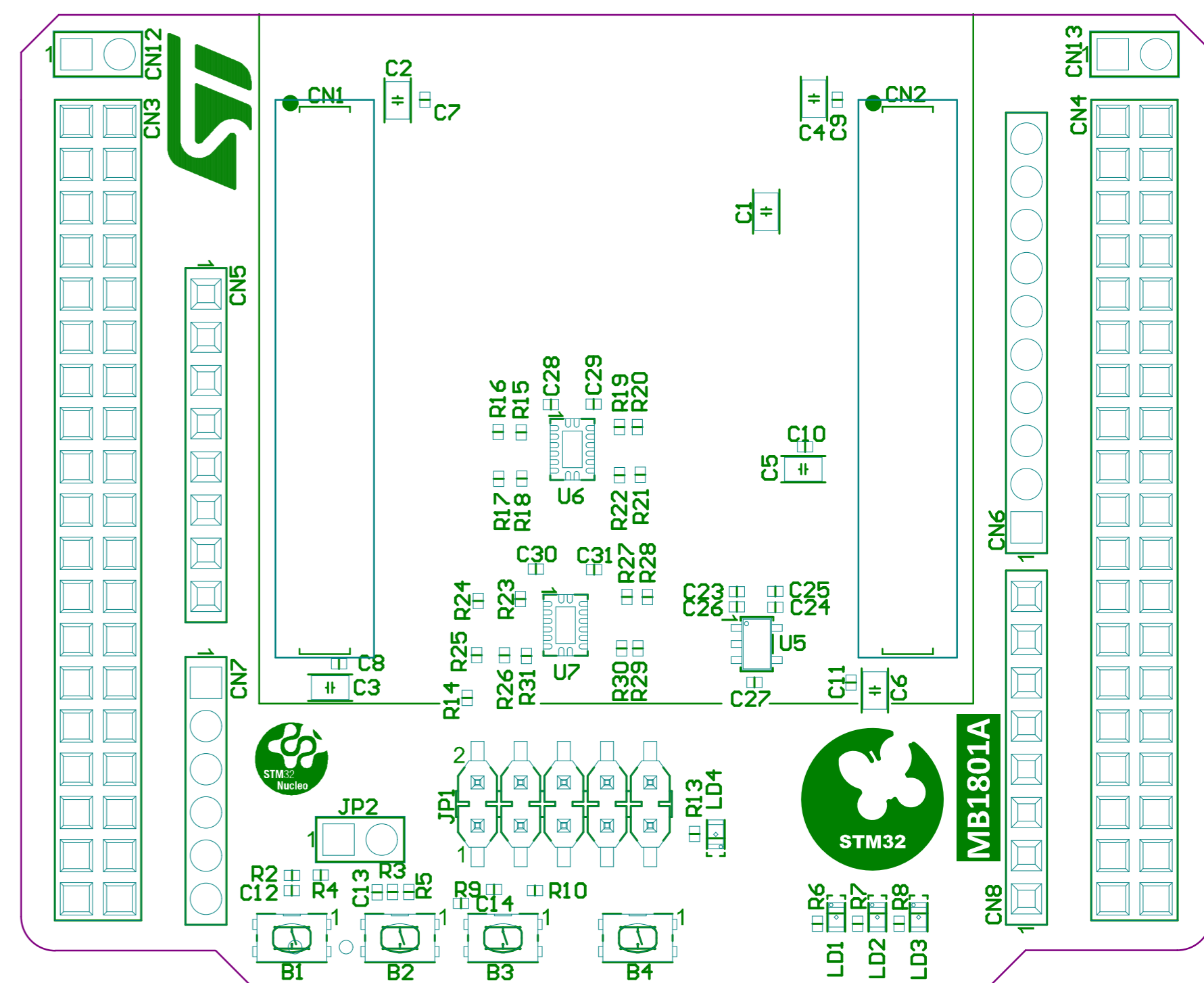
Rev: A

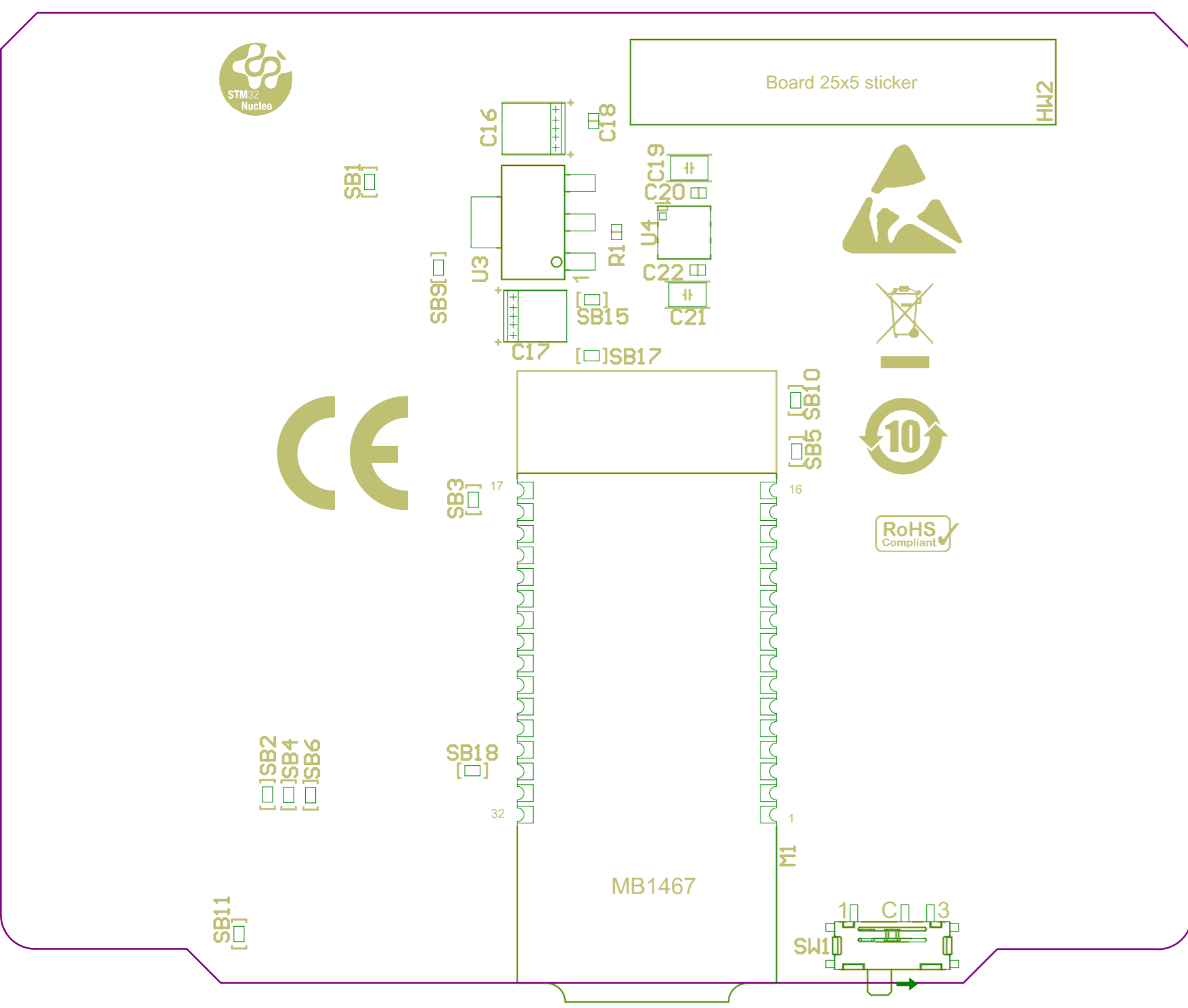




Top Overlay

.GTO





Bottom Overlay

.GBO