

# NUCLEO-64 - Mezzanine Board

MB1801

## Table of contents

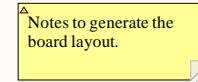
- Sheet 1: Project overview (this page)
- Sheet 2: Top
- Sheet 3: Extension Connectors
- Sheet 4: Accessories (Push Buttons, LEDs, USB,...)
- Sheet 5: Power Management
- Sheet 6: STLINK-V3EC & Level Shifters
- Sheet 7: External\_Debug\_Interface

## Legend

General comment such as function title, configuration, ...

Text to be added to silkscreen.

Warning text.



## Open Platform License Agreement

The Open Platform License Agreement (“Agreement”) is a binding legal contract between you (“You”) and STMicroelectronics International N.V. (“ST”), a company incorporated under the laws of the Netherlands acting for the purpose of this Agreement through its Swiss branch 39, Chemin du Champ des Filles, 1228 Plan-les-Ouates, Geneva, Switzerland.

By using the enclosed reference designs, schematics, PC board layouts, and documentation, in hardcopy or CAD tool file format (collectively, the “Reference Material”), You are agreeing to be bound by the terms and conditions of this Agreement. Do not use the Reference Material until You have read and agreed to this Agreement terms and conditions. The use of the Reference Material automatically implies the acceptance of the Agreement terms and conditions.

The complete Open Platform License Agreement can be found on [www.st.com/opla](http://www.st.com/opla).

Top  
Top.SchDoc



HW1



MB1801

HW2

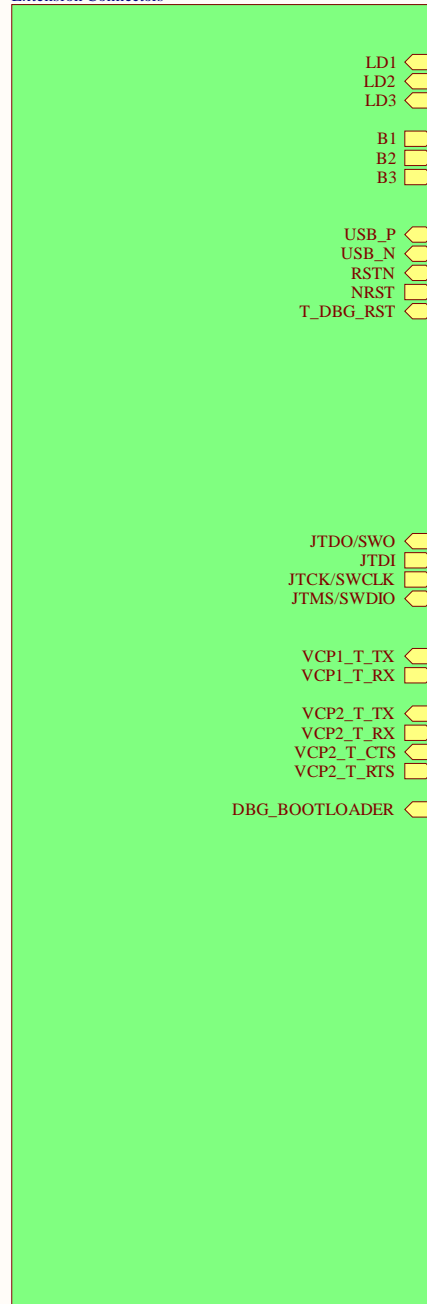


Sticker board

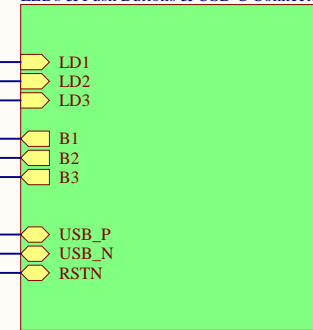
|   |                   |                   |
|---|-------------------|-------------------|
| Title: <b>Project overview</b>              |                   |                   |
| Project: <b>NUCLEO-64 - Mezzanine Board</b> |                   |                   |
| Variant: NoUSB                              |                   |                   |
| Revision: D-02                              |                   | Reference: MB1801 |
| Size: A4                                    | Date: 08-JUN-2023 | Sheet: 1 of 7     |



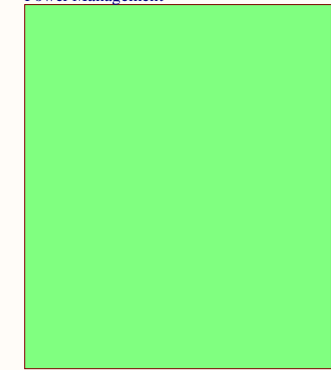
Extension Connectors



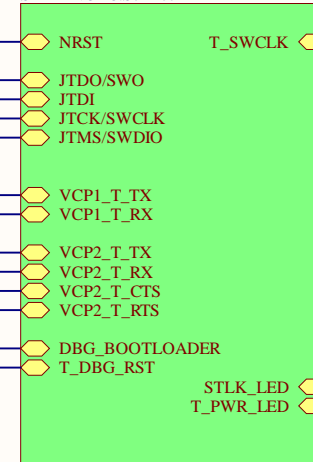
LEDs & Push Buttons & USB-C Connector



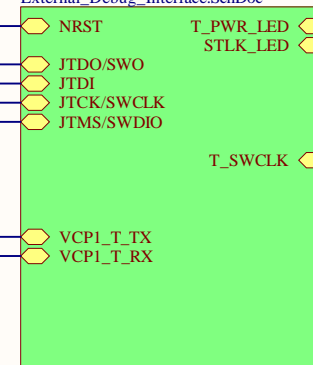
Power Management

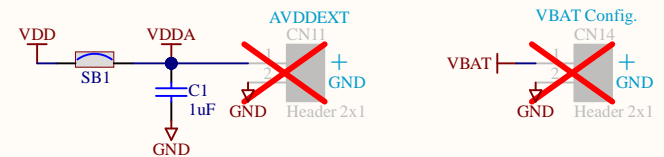
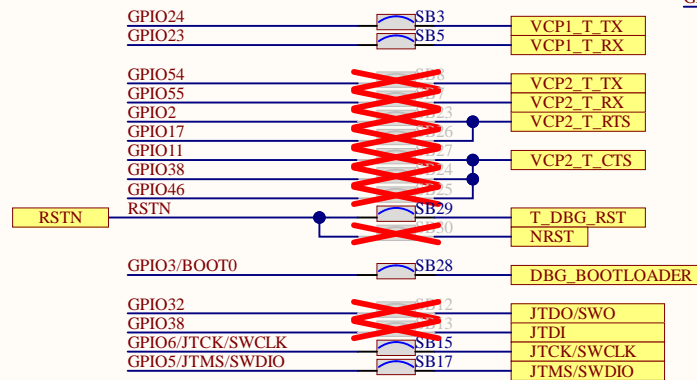
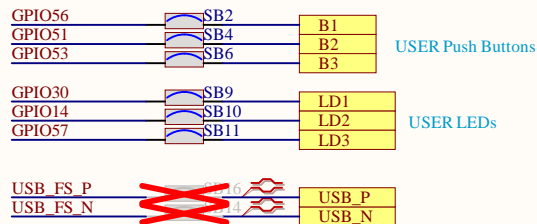
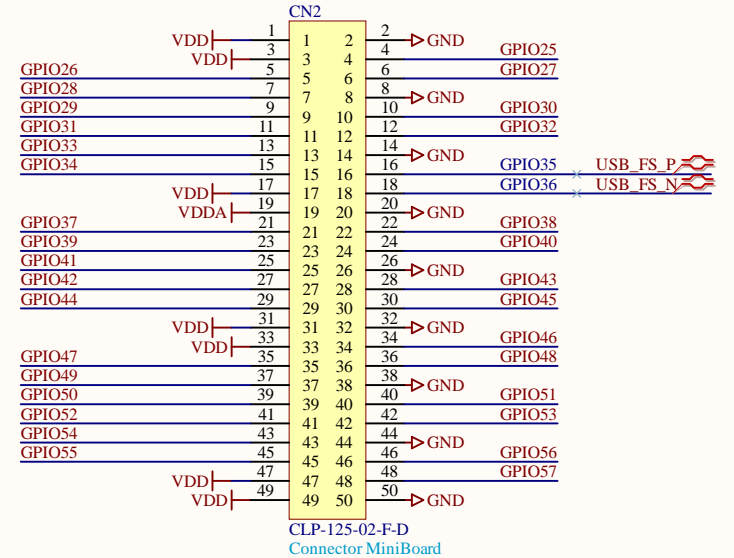
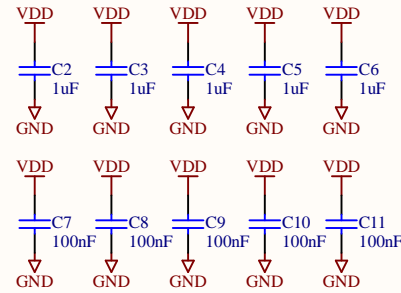
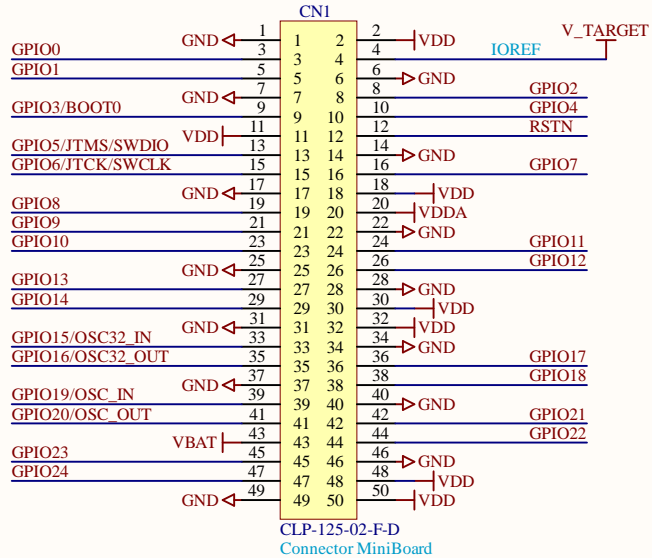
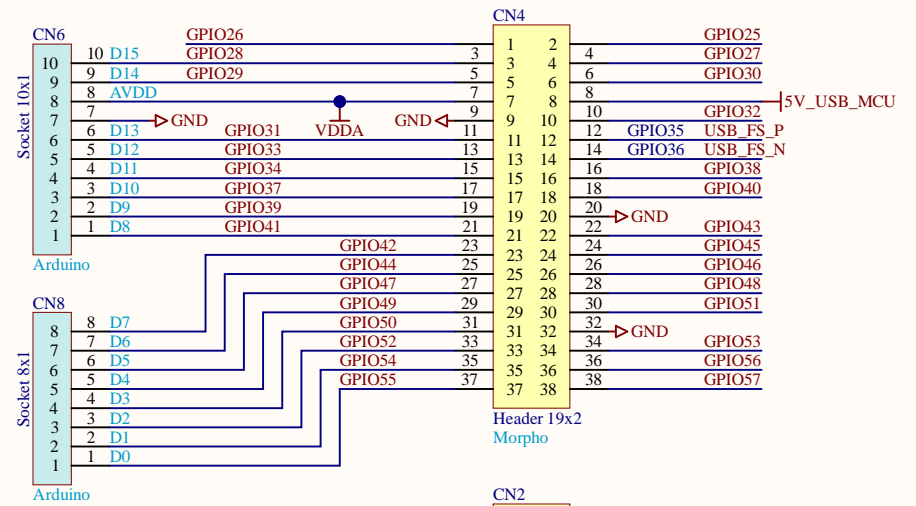
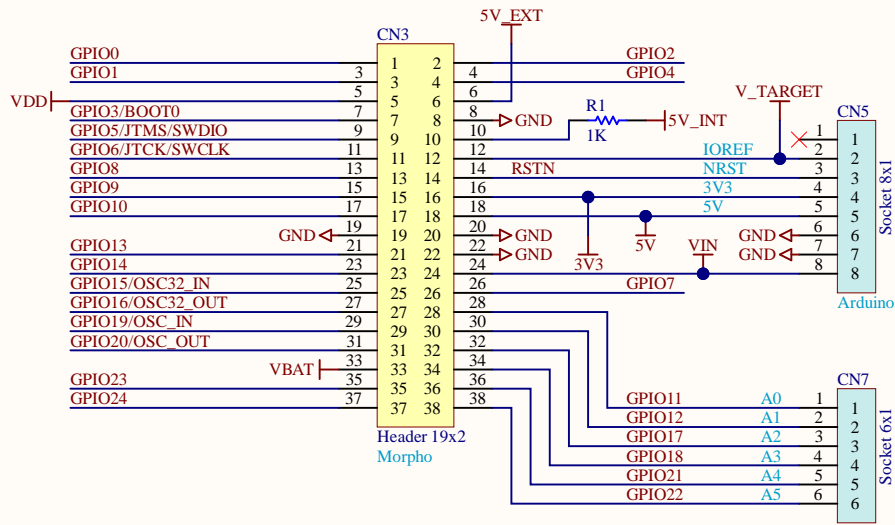


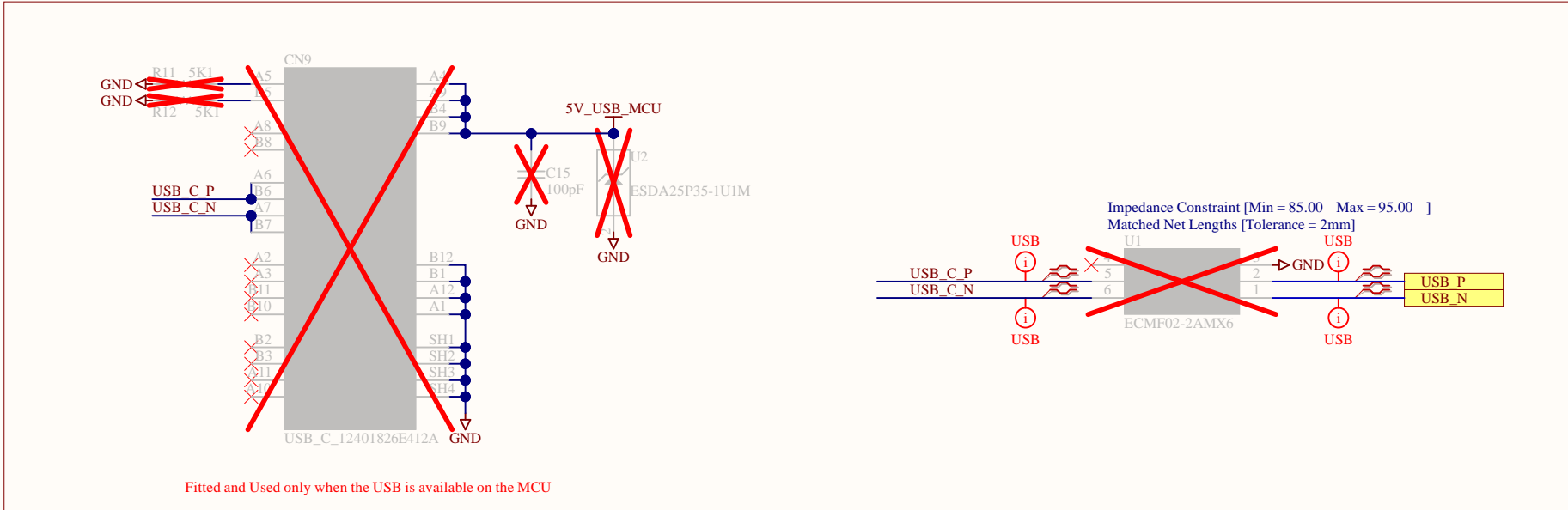
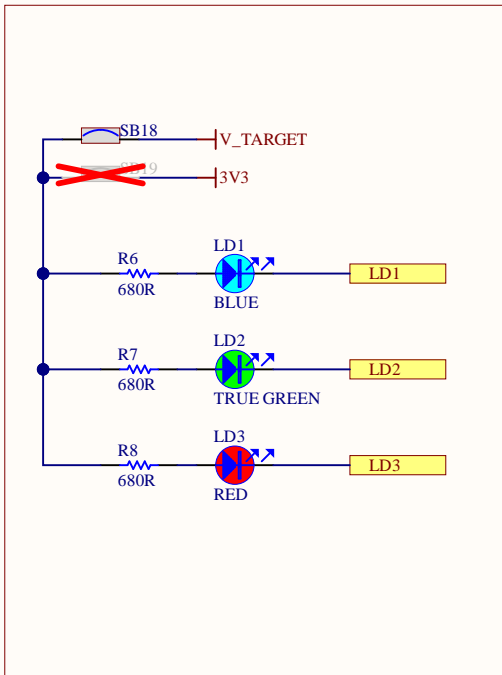
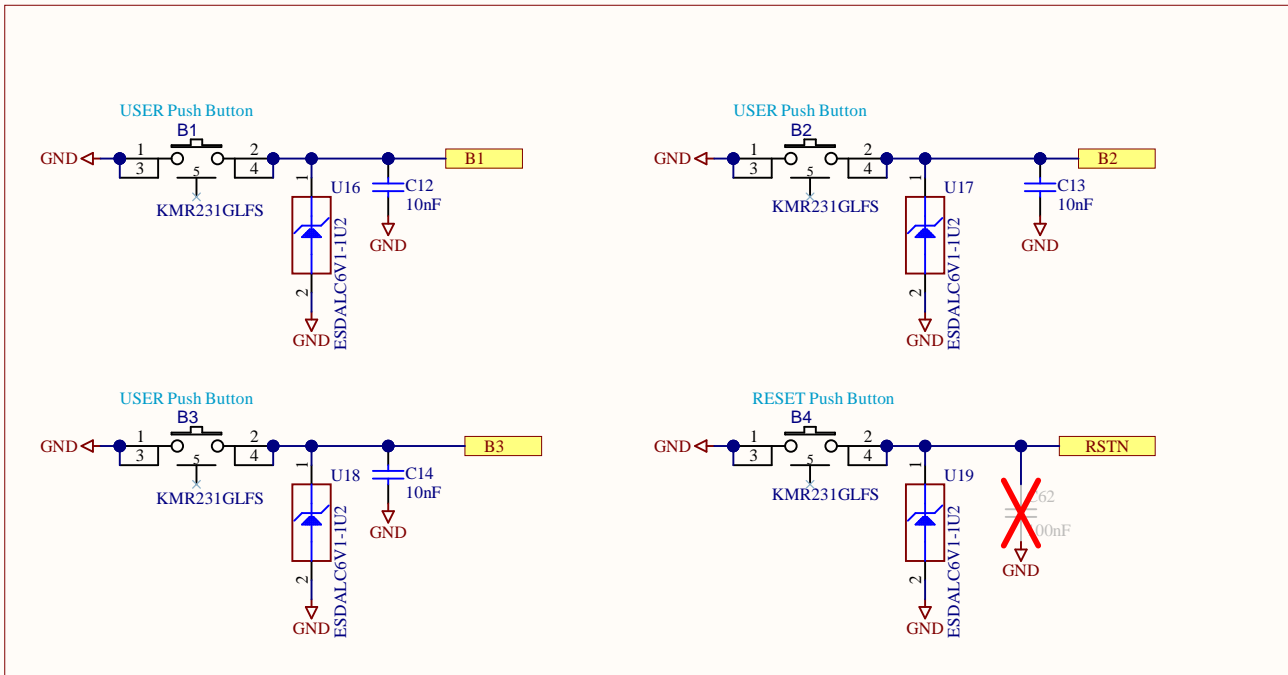
U\_STlink-V3EC  
STlink-V3EC.SchDoc



U\_External\_Debug\_Interface  
External\_Debug\_Interface.SchDoc





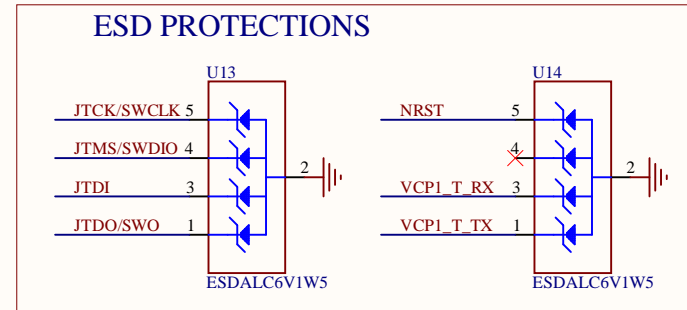
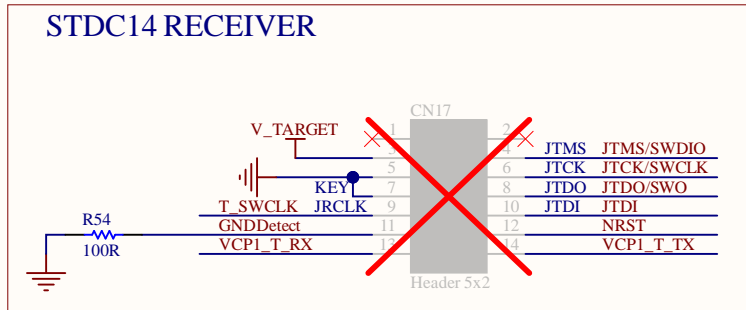
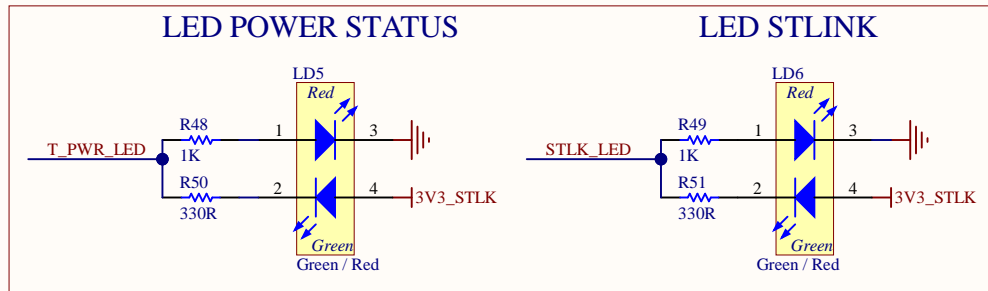


Fitted and Used only when the USB is available on the MCU



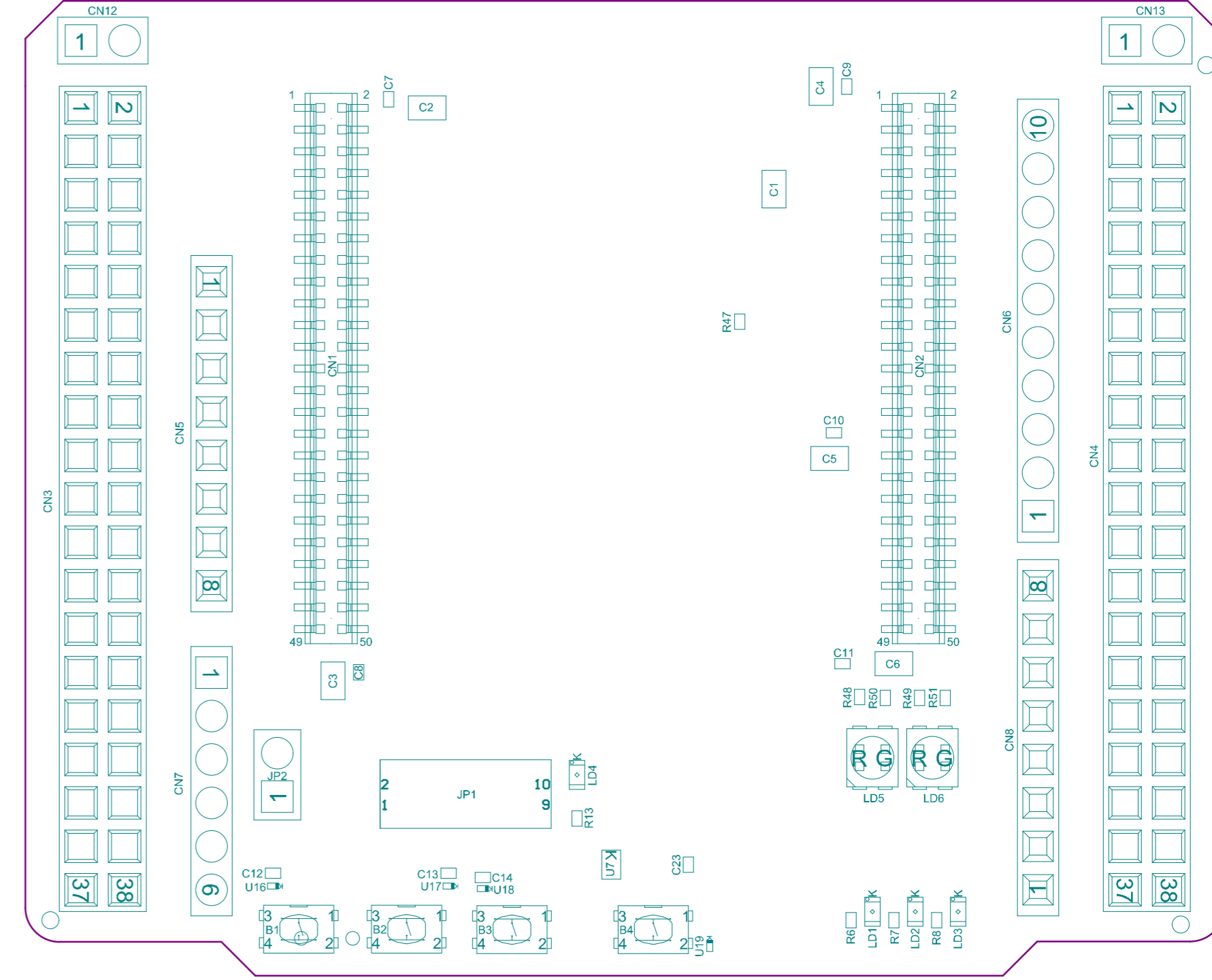




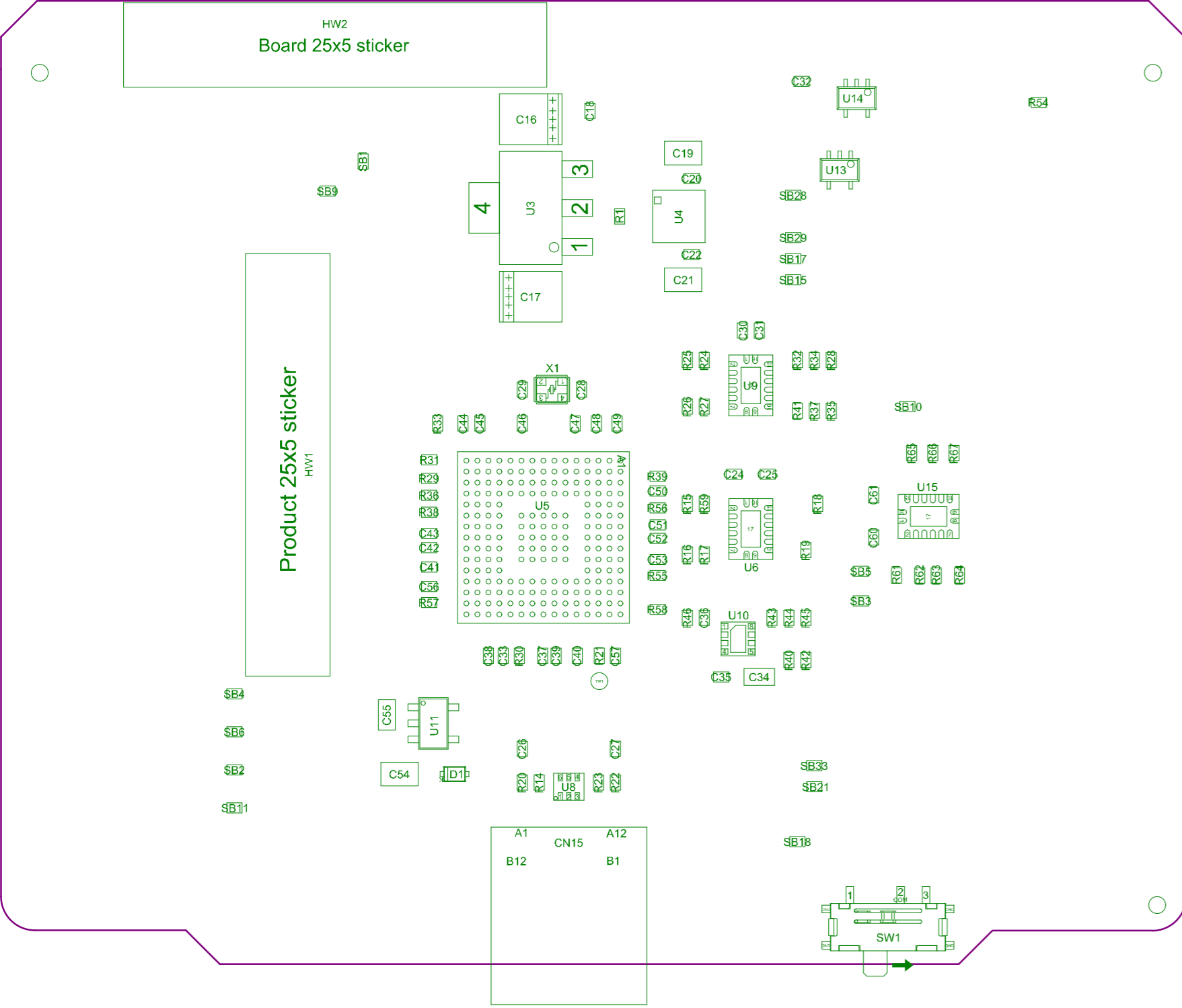


|            |            |
|------------|------------|
| JTMS/SWDIO | JTMS/SWDIO |
| JTCK/SWCLK | JTCK/SWCLK |
| JTDO/SWO   | JTDO/SWO   |
| JTDI       | JTDI       |
| T_SWCLK    | JTDI       |
| VCPI_T_TX  | T_SWCLK    |
| VCPI_T_RX  | VCPI_T_TX  |
| NRST       | VCPI_T_RX  |
| STLK_LED   | NRST       |
| T_PWR_LED  | STLK_LED   |
|            | T_PWR_LED  |

|                                      |               |
|--------------------------------------|---------------|
| Project: NUCLEO-64 - Mezzanine Board |               |
| Layer: M14-Top Assembly              | Gerber: .GM14 |
| Variant: NoUSB                       | Ref: MB1801   |
| Date: 08-JUN-2023                    | Rev: D        |





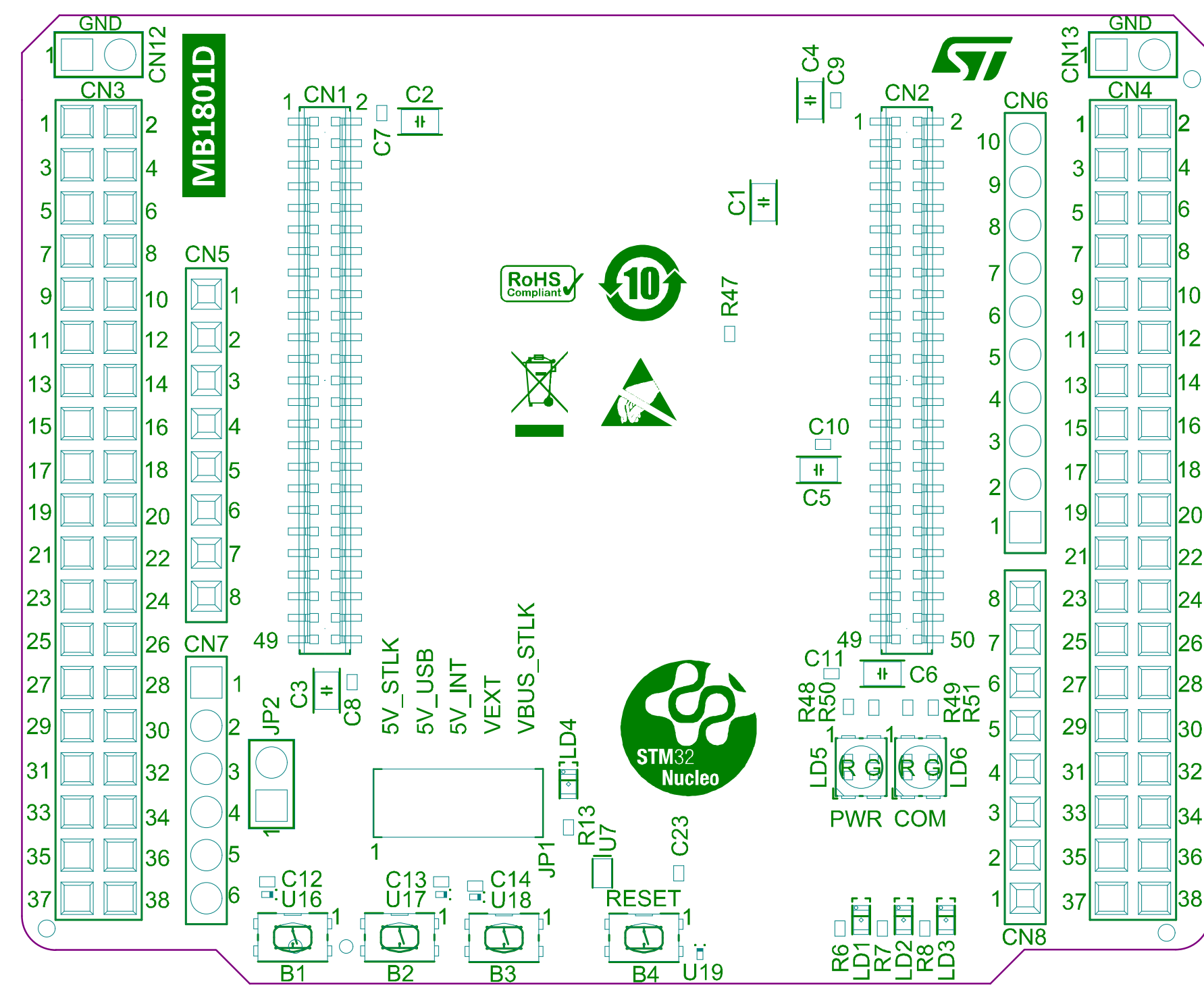


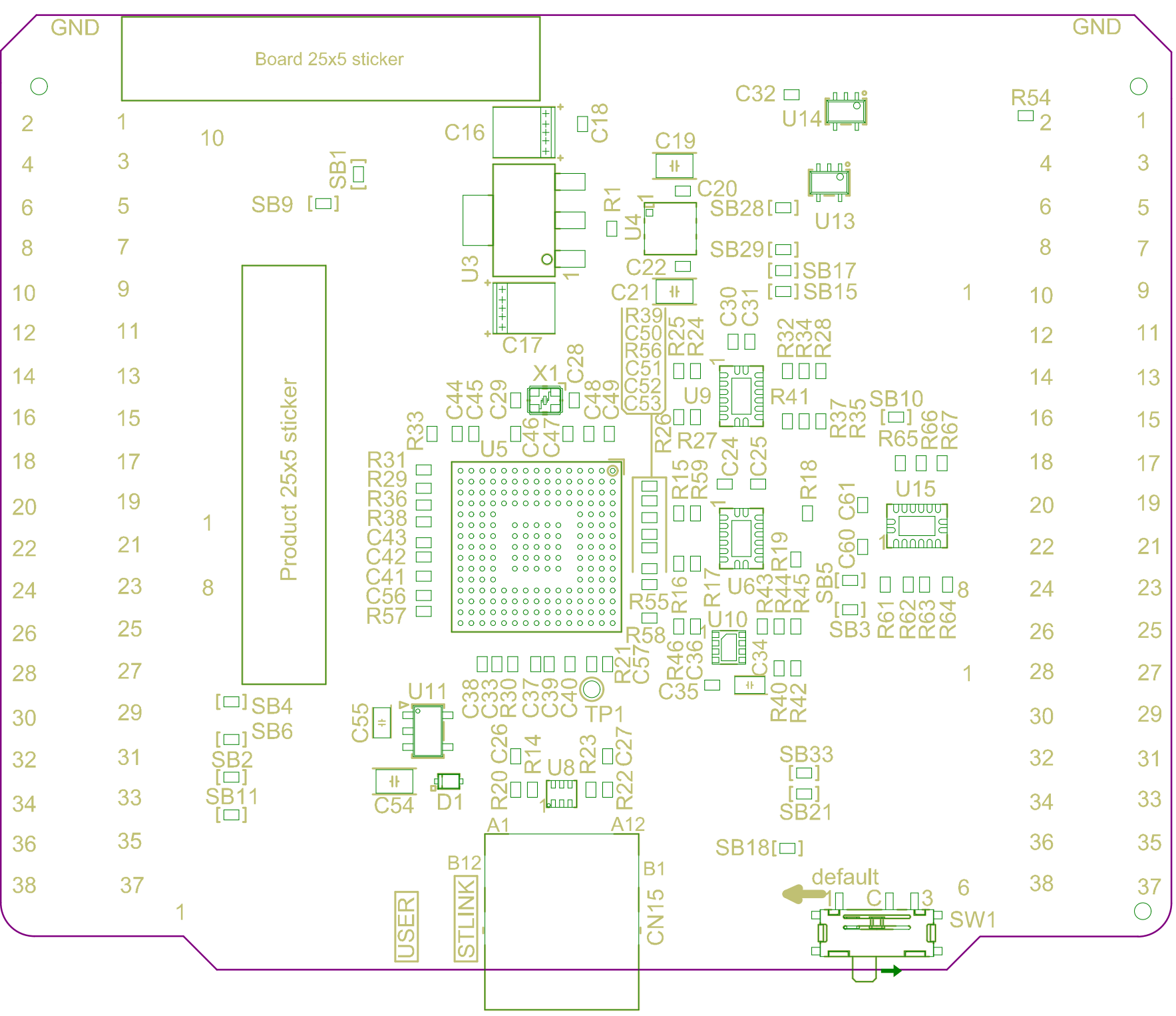
|                                      |              |
|--------------------------------------|--------------|
| Project: NUCLEO-64 - Mezzanine Board |              |
| Layer: M15-Bottom Assembly           | Gerber:.GM15 |
| Variant: NoUSB                       | Ref: MB1801  |
| Date: 08-JUN-2023                    | Rev: D       |



Top Overlay

.GTO





Bottom Overlay

.GBO