

# ZeST MC Disco control board

---

MB1811

---

## Table of contents

---

- Sheet 1: Project overview (this page)
- Sheet 2: MB1811\_TOP
- Sheet 3: MCU
- Sheet 4: POWER
- Sheet 5: MC Connector V2
- Sheet 6: Morpho MC
- Sheet 7: STLINK V3EC
- Sheet 8: Mechanical

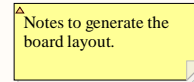
## Legend

---

General comment such as function title, configuration, ...

Text to be added to silkscreen.

Warning text.



## Open Platform License Agreement

---

The Open Platform License Agreement (“Agreement”) is a binding legal contract between you (“You”) and STMicroelectronics International N.V. (“ST”), a company incorporated under the laws of the Netherlands acting for the purpose of this Agreement through its Swiss branch 39, Chemin du Champ des Filles, 1228 Plan-les-Ouates, Geneva, Switzerland.

By using the enclosed reference designs, schematics, PC board layouts, and documentation, in hardcopy or CAD tool file format (collectively, the “Reference Material”), You are agreeing to be bound by the terms and conditions of this Agreement. Do not use the Reference Material until You have read and agreed to this Agreement terms and conditions. The use of the Reference Material automatically implies the acceptance of the Agreement terms and conditions.

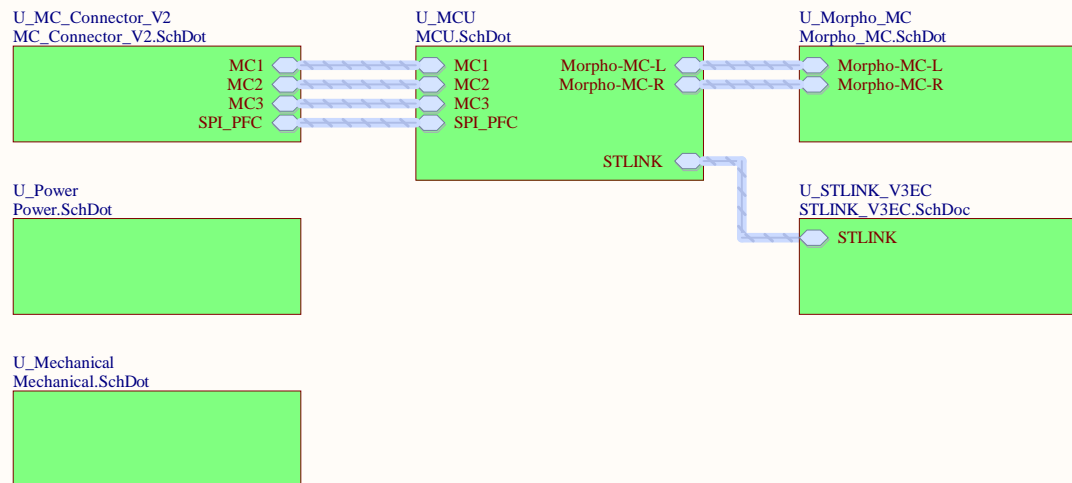
The complete Open Platform License Agreement can be found on [www.st.com/opla](http://www.st.com/opla).

U\_MB1811\_TOP  
MB1811\_TOP.SchDot

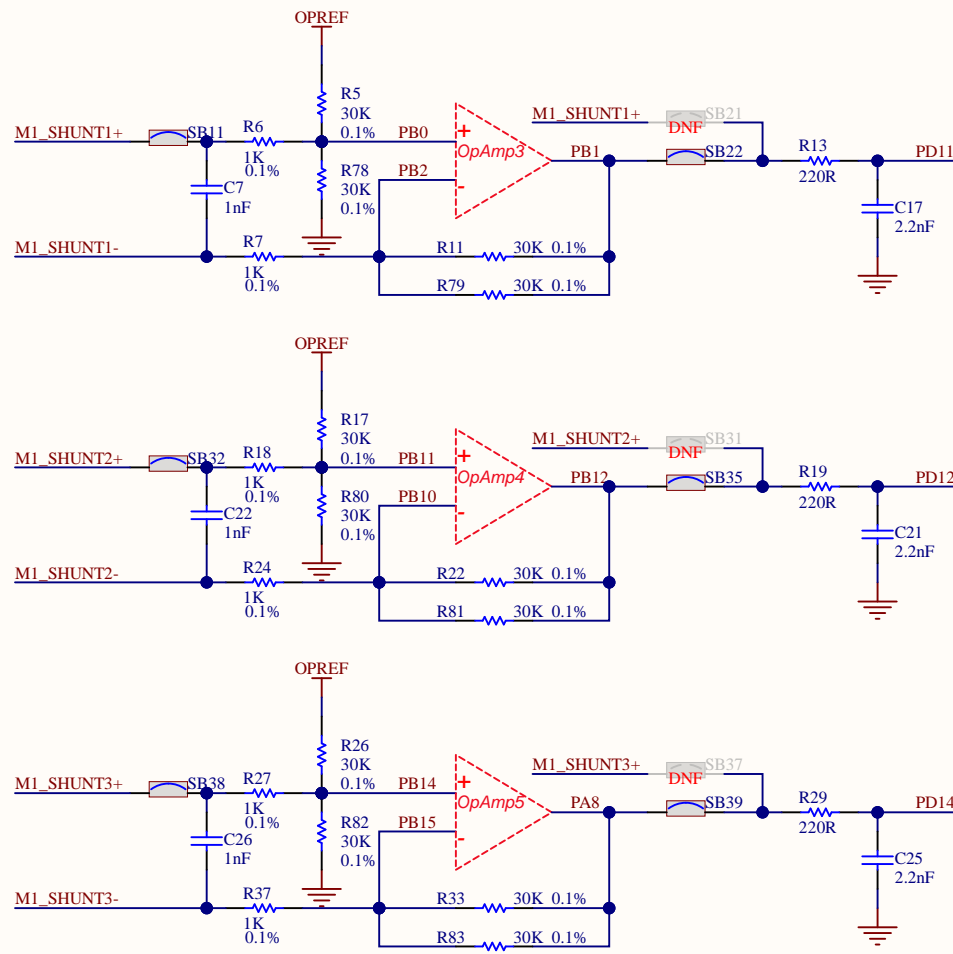


Title: <b>Project Overview</b>		
Project: <b>ZeST MC Disco control board</b>		
Variant: G473QE		
Revision: B-02		Reference: MB1811
Size: A4	Date: 14-MAR-23	Sheet: 1 of 8

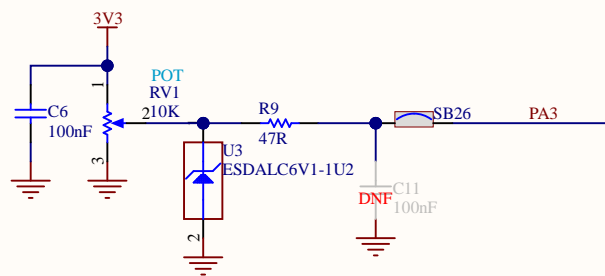




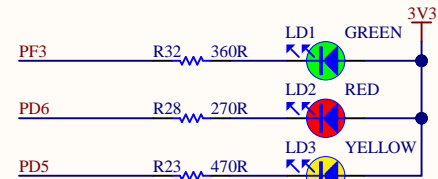
### OpAmps



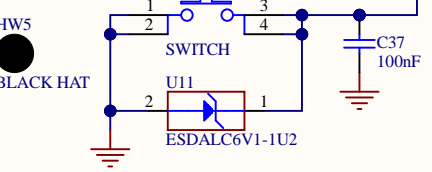
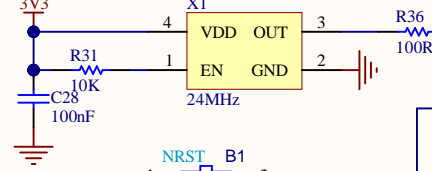
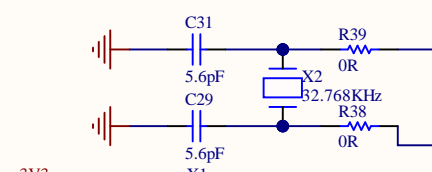
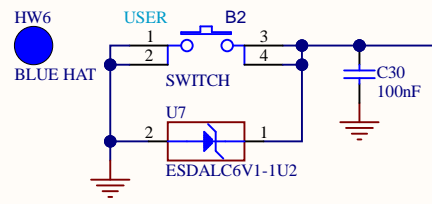
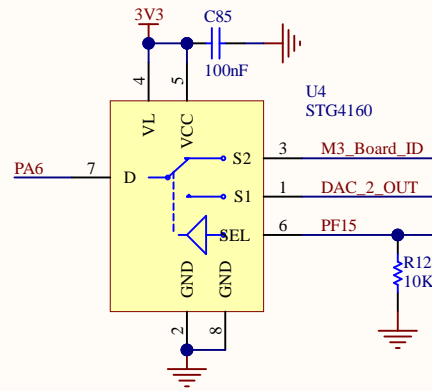
### Potentiometer



### LEDs



### MCU



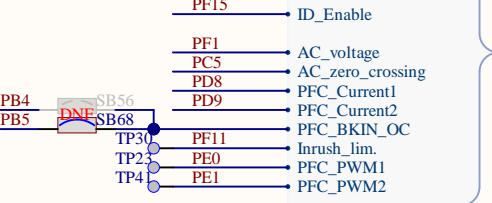
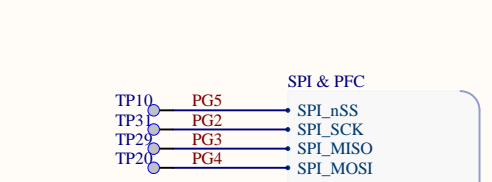
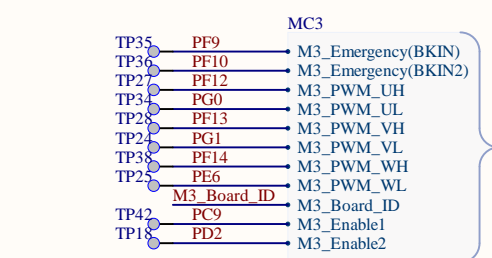
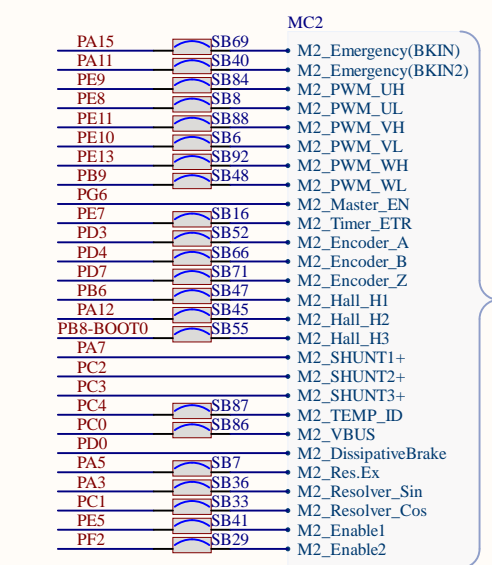
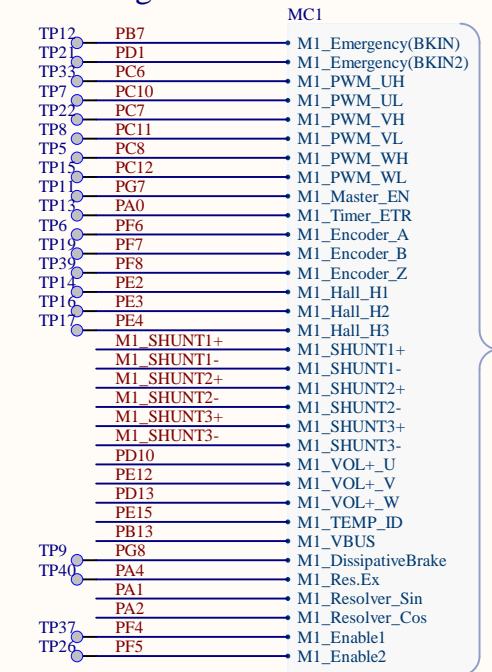
MCU Pin	MCU Pin	MCU Pin	MCU Pin
PA0	27	PA0	MCU_IOS
PA1	28	PA1	MCU_IOS
PA2	29	PA2	MCU_IOS
PA3	32	PA3	MCU_IOS
PA4	33	PA4	MCU_IOS
PA5	34	PA5	MCU_IOS
PA6	35	PA6	MCU_IOS
PA7	36	PA7	MCU_IOS
PA8	89	PA8	MCU_IOS
PA9	90	PA9	MCU_IOS
PA10	91	PA10	MCU_IOS
PA11	92	PA11	MCU_IOS
PA12	93	PA12	MCU_IOS
PA13	96	PA13	MCU_IOS
PA14	98	PA14	MCU_IOS
PA15	99	PA15	MCU_IOS
PC0	22	PC0	MCU_IOS
PC1	23	PC1	MCU_IOS
PC2	24	PC2	MCU_IOS
PC3	25	PC3	MCU_IOS
PC4	37	PC4	MCU_IOS
PC5	38	PC5	MCU_IOS
PC6	80	PC6	MCU_IOS
PC7	81	PC7	MCU_IOS
PC8	87	PC8	MCU_IOS
PC9	88	PC9	MCU_IOS
PC10	100	PC10	MCU_IOS
PC11	101	PC11	MCU_IOS
PC12	102	PC12	MCU_IOS
PC13		PC13	MCU_IOS
PE0	125	PE0	MCU_IOS
PE1	126	PE1	MCU_IOS
PE2	1	PE2	MCU_IOS
PE3	2	PE3	MCU_IOS
PE4	3	PE4	MCU_IOS
PE5	4	PE5	MCU_IOS
PE6	5	PE6	MCU_IOS
PE7	53	PE7	MCU_IOS
PE8	54	PE8	MCU_IOS
PE9	55	PE9	MCU_IOS
PE10	56	PE10	MCU_IOS
PE11	57	PE11	MCU_IOS
PE12	58	PE12	MCU_IOS
PE13	59	PE13	MCU_IOS
PE14	60	PE14	MCU_IOS
PE15	61	PE15	MCU_IOS
PF2	26	PF2	MCU_IOS
PF3	10	PF3	MCU_IOS
PF4	11	PF4	MCU_IOS
PF5	14	PF5	MCU_IOS
PF6	97	PF6	MCU_IOS
PF7	15	PF7	MCU_IOS
PF8	16	PF8	MCU_IOS
PF9	17	PF9	MCU_IOS
PF10	18	PF10	MCU_IOS
PF11	48	PF11	MCU_IOS
PF12	49	PF12	MCU_IOS
PF13	50	PF13	MCU_IOS
PF14	51	PF14	MCU_IOS
PF15	52	PF15	MCU_IOS
PG0	82	PG0	MCU_IOS
PG1	83	PG1	MCU_IOS
PG2	84	PG2	MCU_IOS
PG3	85	PG3	MCU_IOS
PG4	86	PG4	MCU_IOS
PG5	103	PG5	MCU_IOS
PG6	104	PG6	MCU_IOS
PG7	105	PG7	MCU_IOS
PG8	106	PG8	MCU_IOS
PG9	107	PG9	MCU_IOS

MCU Pin	MCU Pin	MCU Pin	MCU Pin
PB0	39	PB0	MCU_IOS
PB1	40	PB1	MCU_IOS
PB2	41	PB2	MCU_IOS
PB3	118	PB3	MCU_IOS
PB4	119	PB4	MCU_IOS
PB5	120	PB5	MCU_IOS
PB6	121	PB6	MCU_IOS
PB7	122	PB7	MCU_IOS
PB9	124	PB9	MCU_IOS
PB10	62	PB10	MCU_IOS
PB11	65	PB11	MCU_IOS
PB12	66	PB12	MCU_IOS
PB13	67	PB13	MCU_IOS
PB14	68	PB14	MCU_IOS
PB15	69	PB15	MCU_IOS
PD0	108	PD0	MCU_IOS
PD1	109	PD1	MCU_IOS
PD2	112	PD2	MCU_IOS
PD3	113	PD3	MCU_IOS
PD4	114	PD4	MCU_IOS
PD5	115	PD5	MCU_IOS
PD6	116	PD6	MCU_IOS
PD7	117	PD7	MCU_IOS
PD8	70	PD8	MCU_IOS
PD9	71	PD9	MCU_IOS
PD10	72	PD10	MCU_IOS
PD11	73	PD11	MCU_IOS
PD12	74	PD12	MCU_IOS
PD13	75	PD13	MCU_IOS
PD14	76	PD14	MCU_IOS
PD15	77	PD15	MCU_IOS

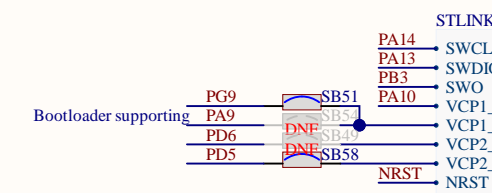
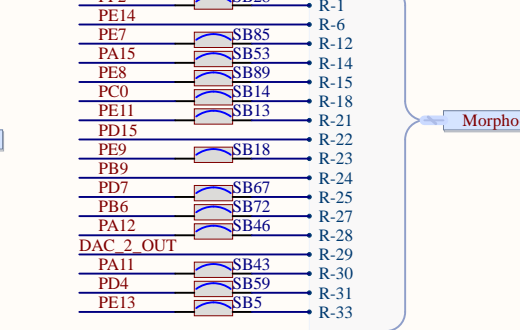
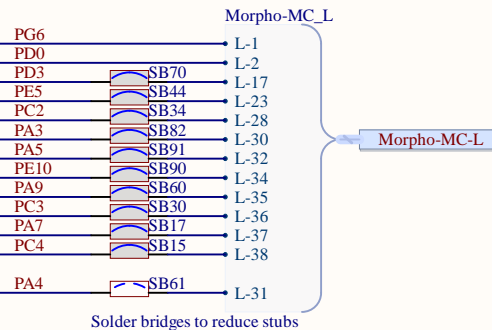
MCU Pin	MCU Pin	MCU Pin	MCU Pin
PC0	22	PC0	MCU_IOS
PC1	23	PC1	MCU_IOS
PC2	24	PC2	MCU_IOS
PC3	25	PC3	MCU_IOS
PC4	37	PC4	MCU_IOS
PC5	38	PC5	MCU_IOS
PC6	80	PC6	MCU_IOS
PC7	81	PC7	MCU_IOS
PC8	87	PC8	MCU_IOS
PC9	88	PC9	MCU_IOS
PC10	100	PC10	MCU_IOS
PC11	101	PC11	MCU_IOS
PC12	102	PC12	MCU_IOS
PC13		PC13	MCU_IOS
PE0	125	PE0	MCU_IOS
PE1	126	PE1	MCU_IOS
PE2	1	PE2	MCU_IOS
PE3	2	PE3	MCU_IOS
PE4	3	PE4	MCU_IOS
PE5	4	PE5	MCU_IOS
PE6	5	PE6	MCU_IOS
PE7	53	PE7	MCU_IOS
PE8	54	PE8	MCU_IOS
PE9	55	PE9	MCU_IOS
PE10	56	PE10	MCU_IOS
PE11	57	PE11	MCU_IOS
PE12	58	PE12	MCU_IOS
PE13	59	PE13	MCU_IOS
PE14	60	PE14	MCU_IOS
PE15	61	PE15	MCU_IOS
PF2	26	PF2	MCU_IOS
PF3	10	PF3	MCU_IOS
PF4	11	PF4	MCU_IOS
PF5	14	PF5	MCU_IOS
PF6	97	PF6	MCU_IOS
PF7	15	PF7	MCU_IOS
PF8	16	PF8	MCU_IOS
PF9	17	PF9	MCU_IOS
PF10	18	PF10	MCU_IOS
PF11	48	PF11	MCU_IOS
PF12	49	PF12	MCU_IOS
PF13	50	PF13	MCU_IOS
PF14	51	PF14	MCU_IOS
PF15	52	PF15	MCU_IOS
PG0	82	PG0	MCU_IOS
PG1	83	PG1	MCU_IOS
PG2	84	PG2	MCU_IOS
PG3	85	PG3	MCU_IOS
PG4	86	PG4	MCU_IOS
PG5	103	PG5	MCU_IOS
PG6	104	PG6	MCU_IOS
PG7	105	PG7	MCU_IOS
PG8	106	PG8	MCU_IOS
PG9	107	PG9	MCU_IOS

MCU Pin	MCU Pin	MCU Pin	MCU Pin
PC14	OSC32_IN	PC14	OSC32_IN
PC15	OSC32_OUT	PC15	OSC32_OUT
PF0	OSC_IN	PF0	OSC_IN
PF1	OSC_OUT	PF1	OSC_OUT
PG10	NRST	PG10	NRST
PB8-BOOT0	BOOT0	PB8-BOOT0	BOOT0

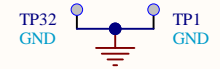
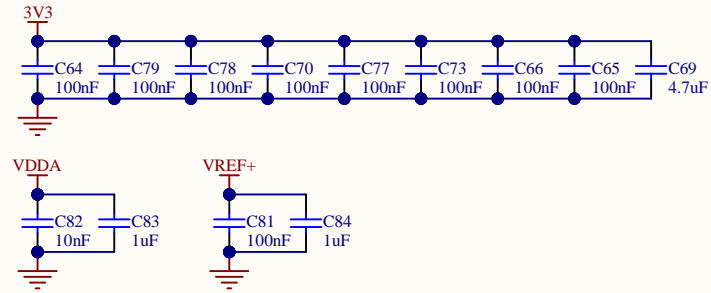
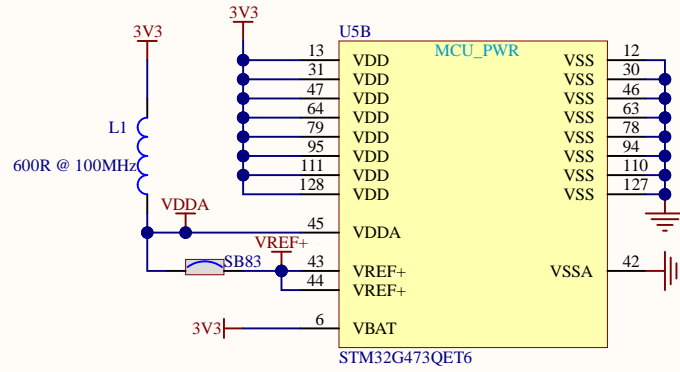
### MC V2 signals



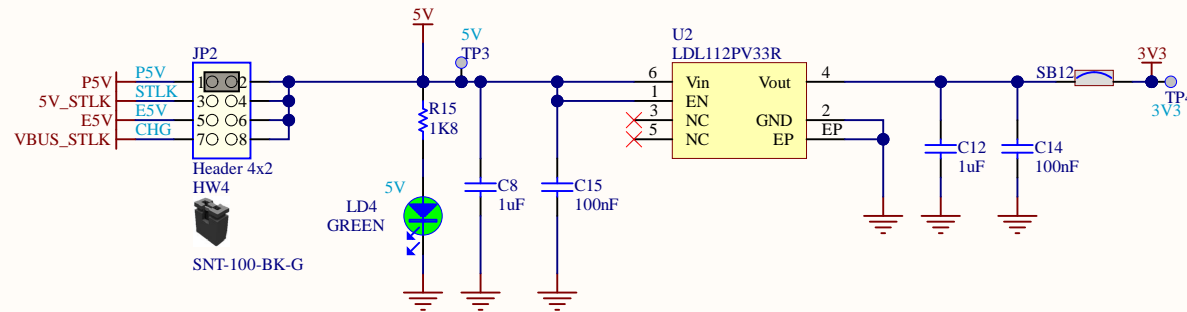
### Morpho & STLINK signals



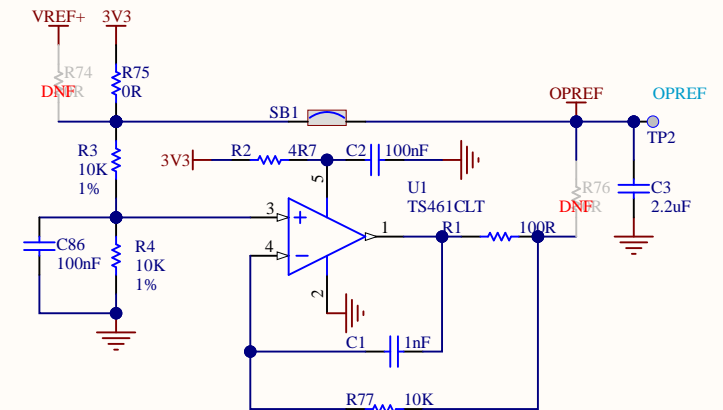
## MCU Power part



## 3.3V power

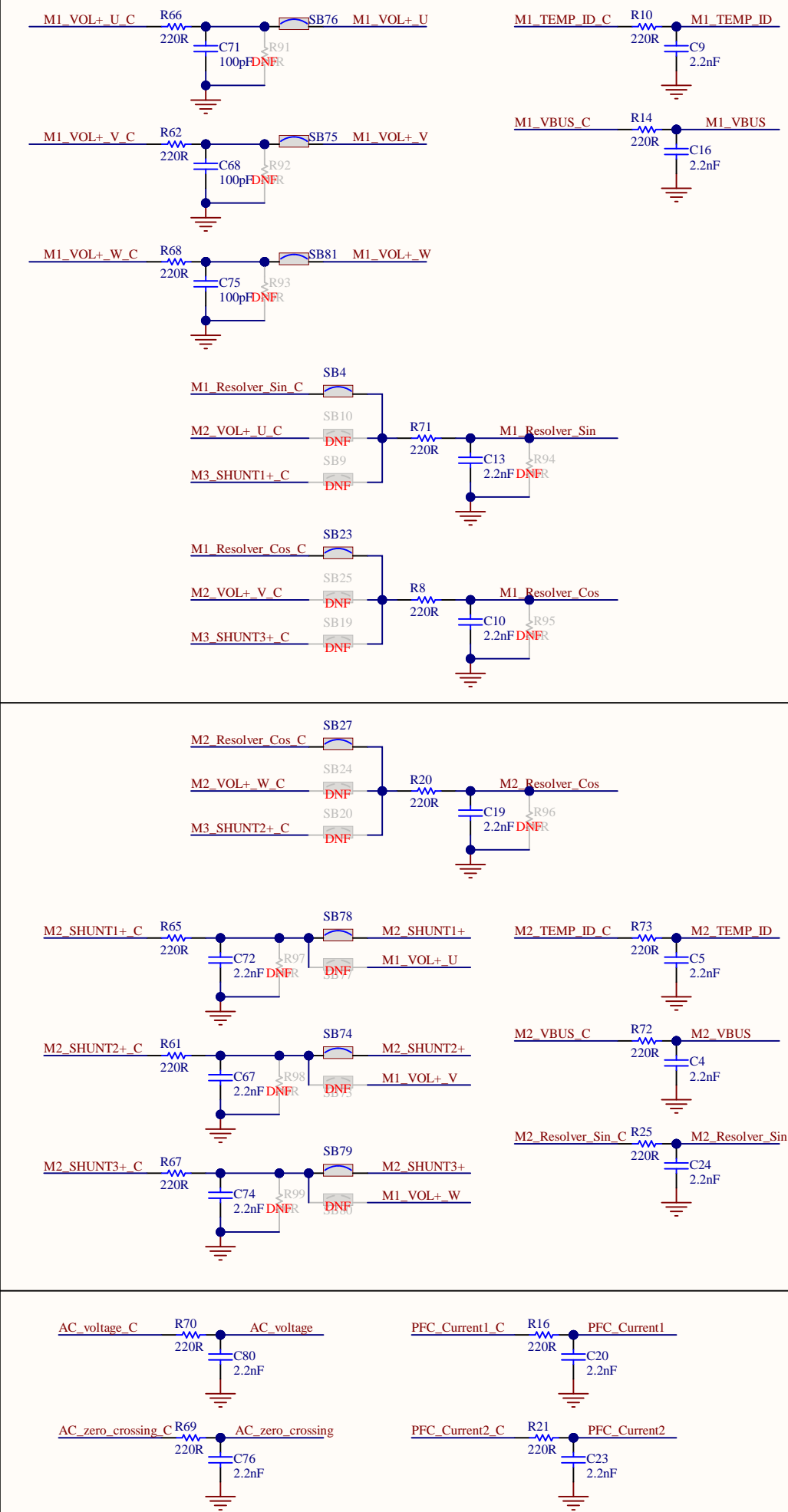
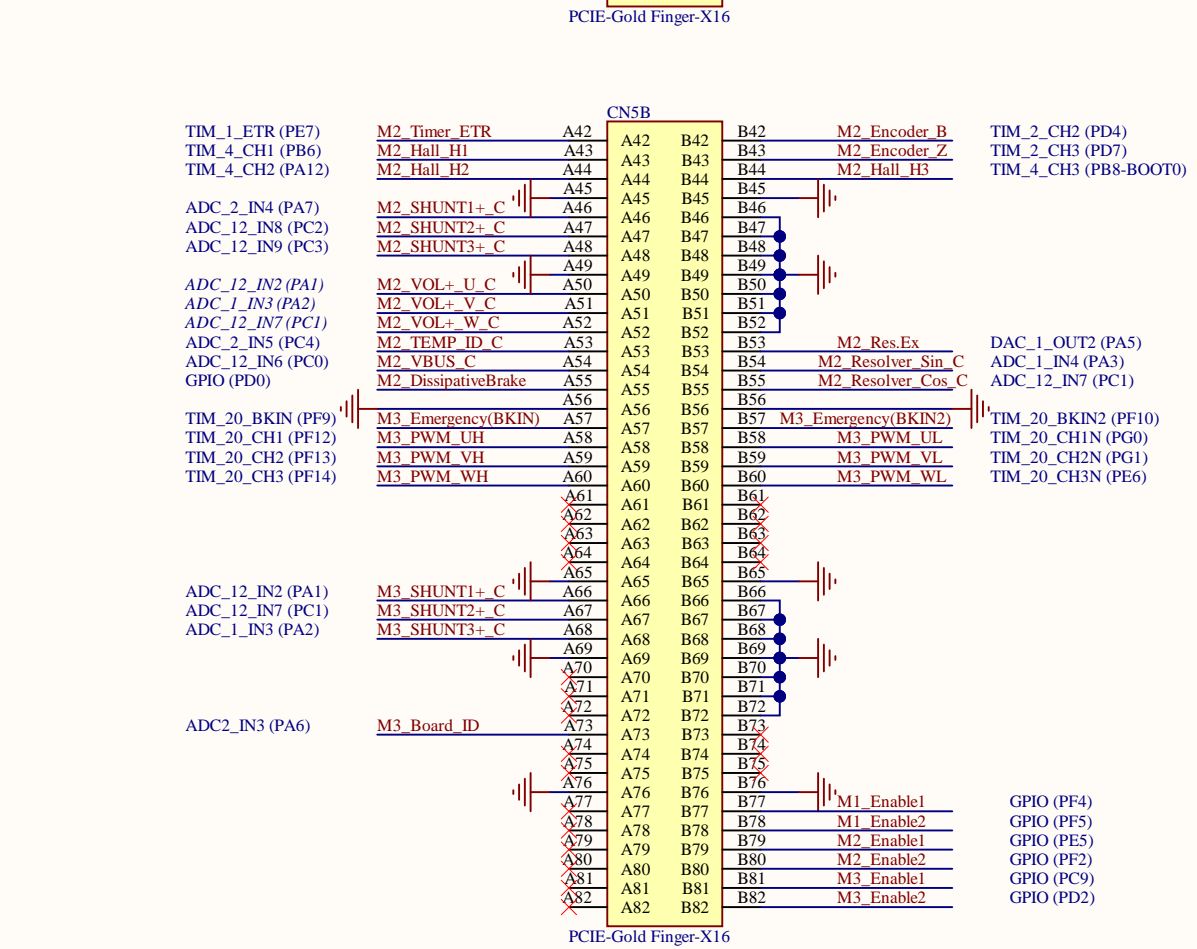
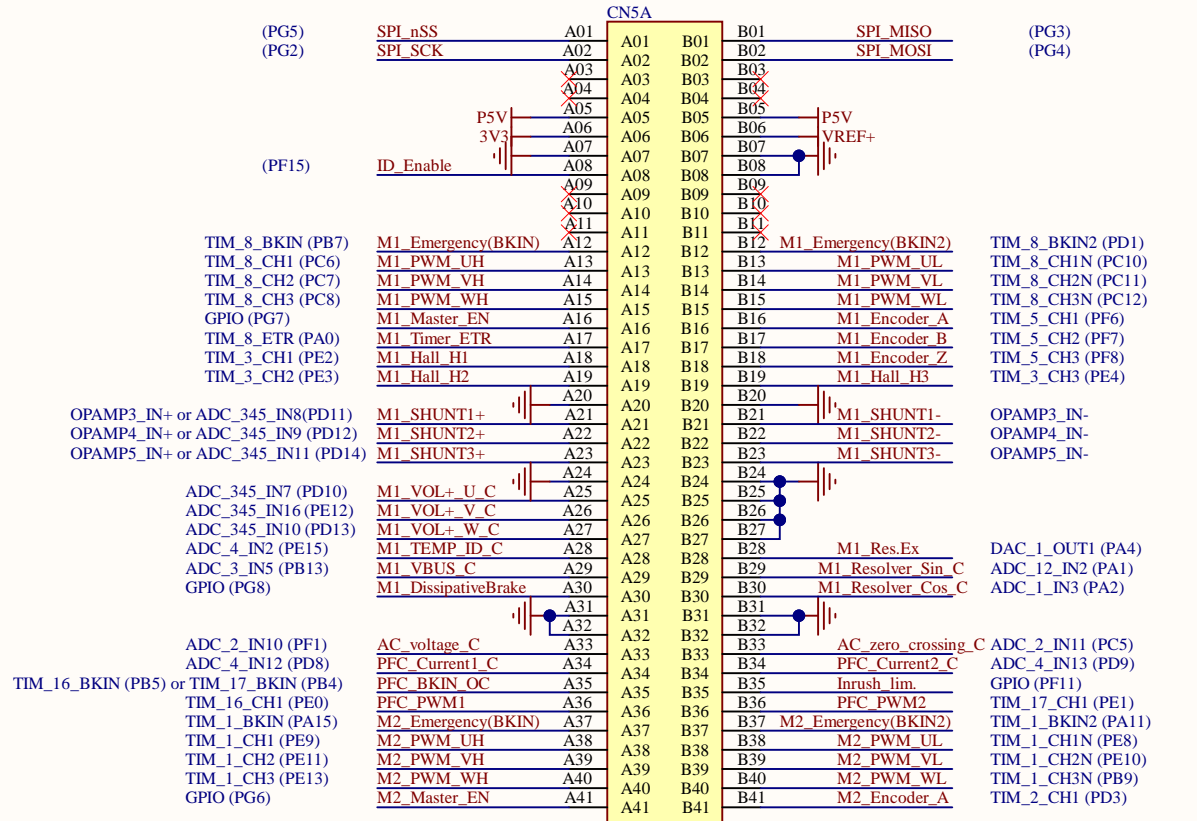
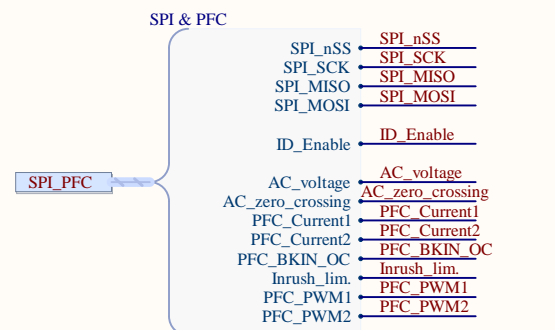
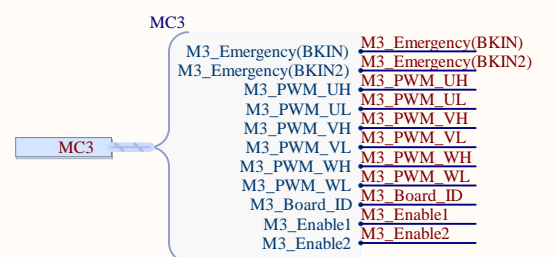
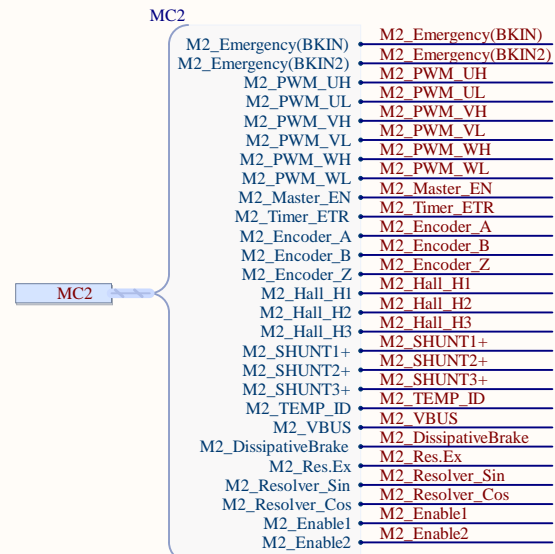
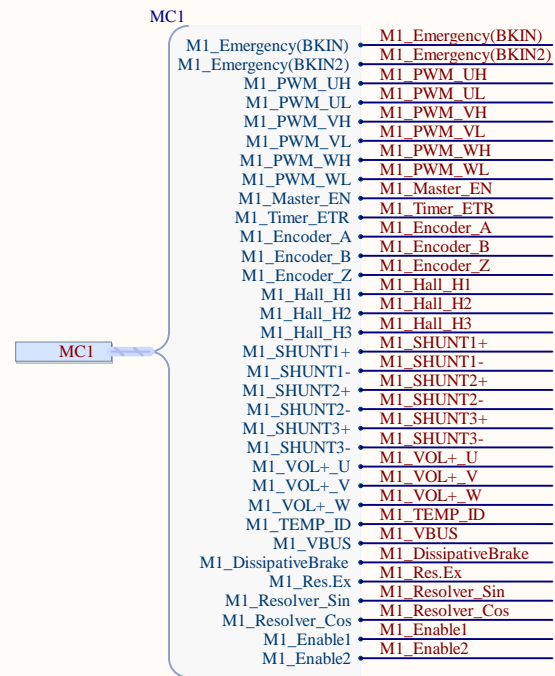


## Reference voltage

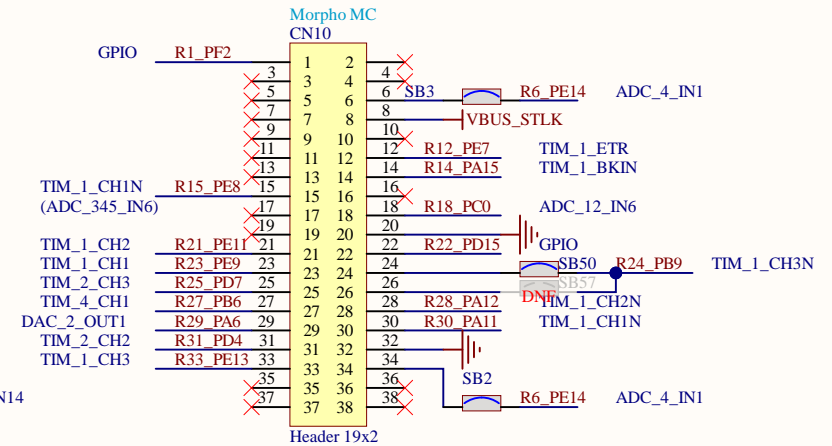
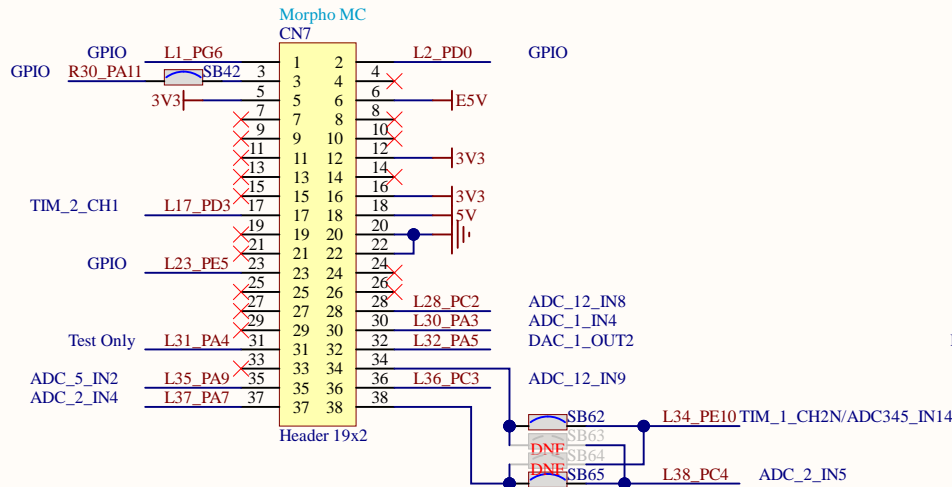
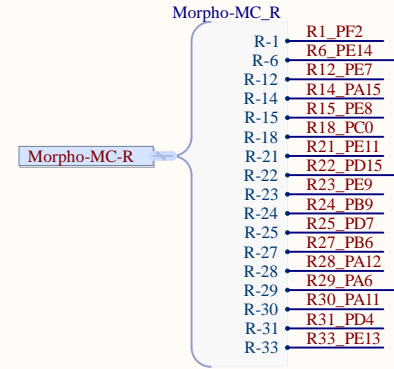
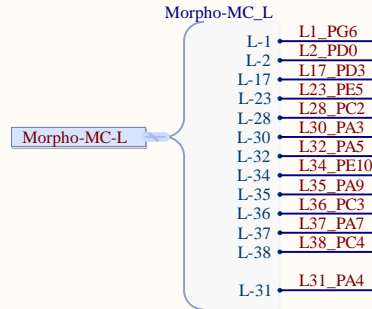




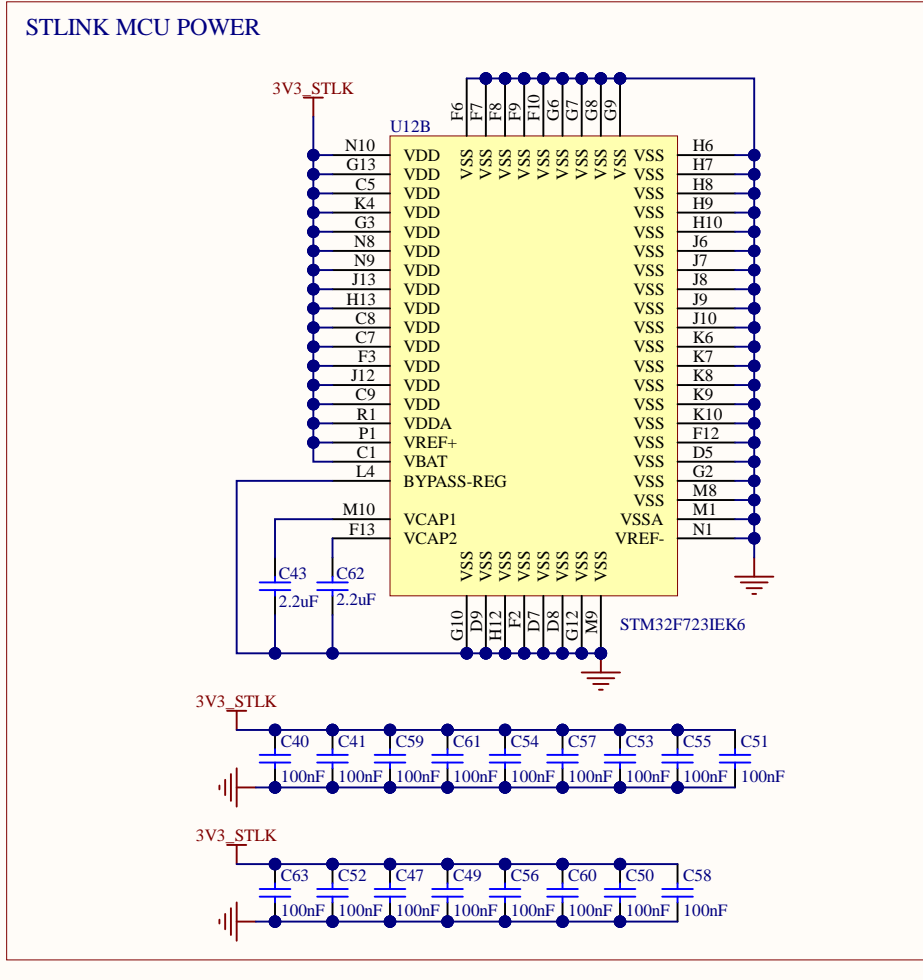
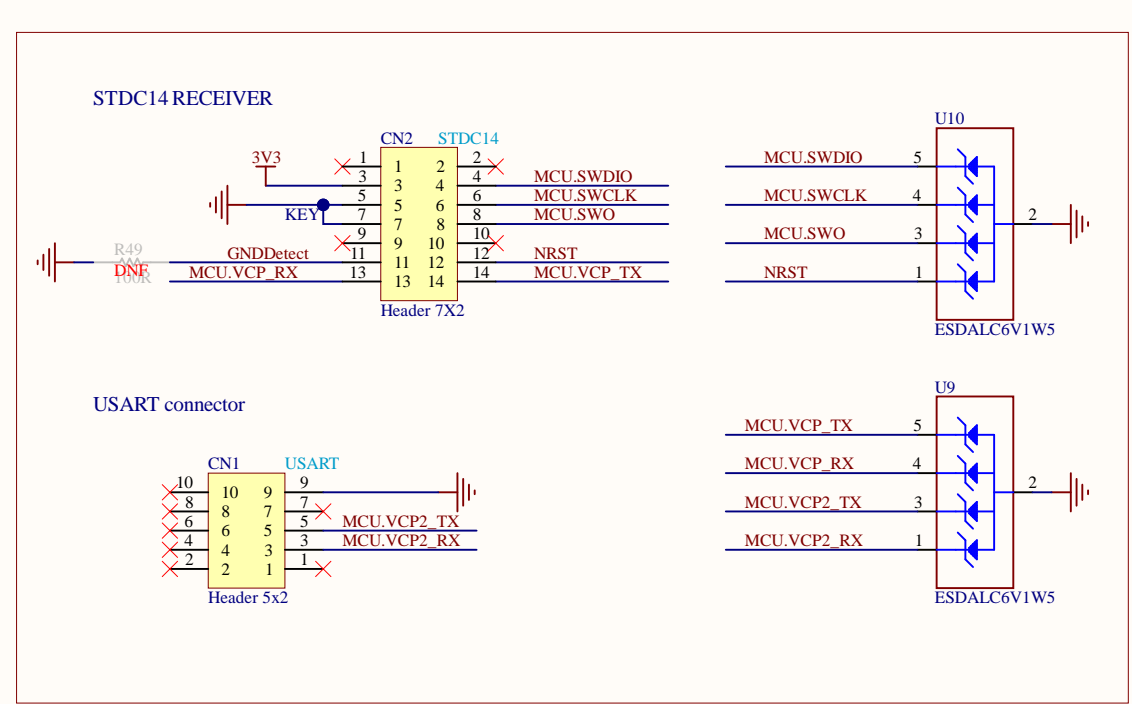
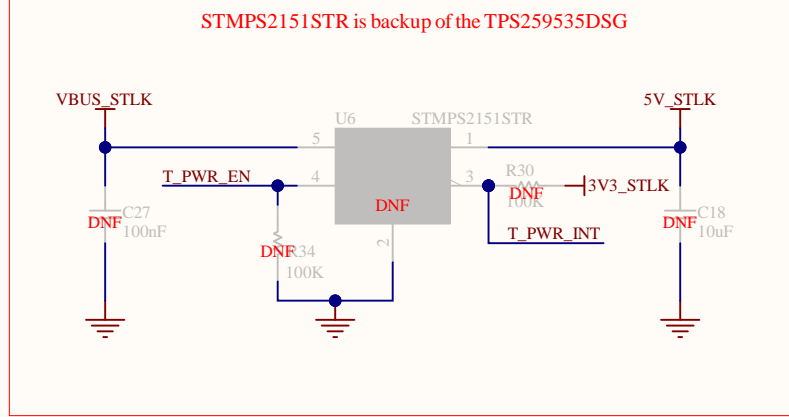
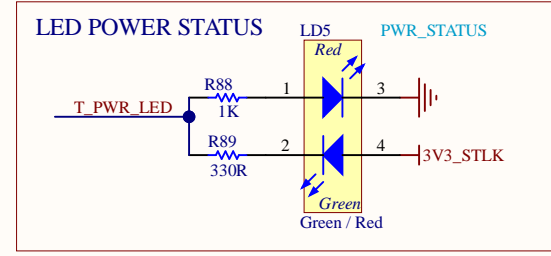
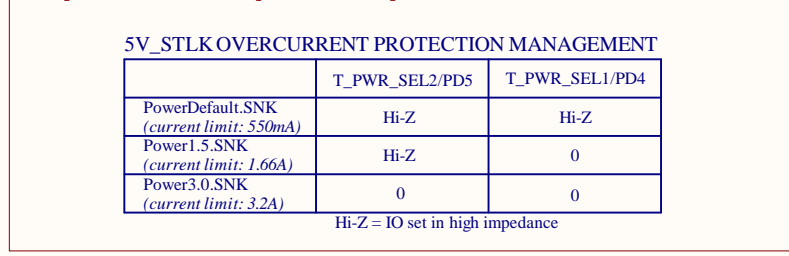
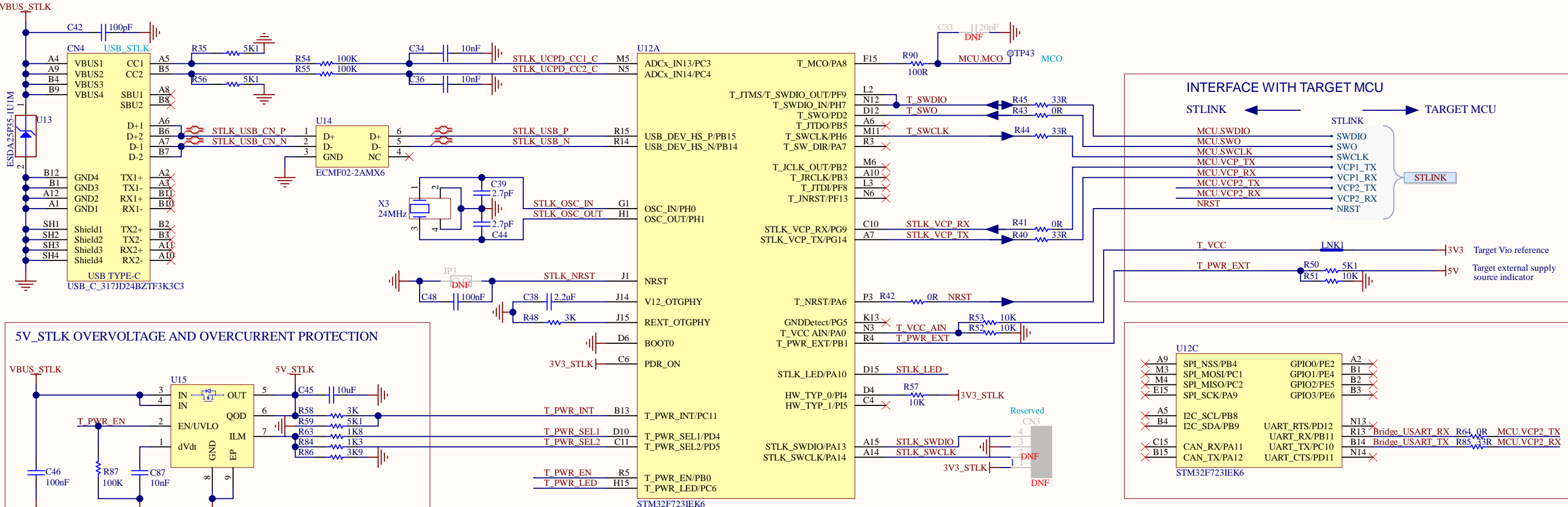
# MC Connector V2



# Morpho MC



# STLINK-V3EC



HW2

STICKER PRODUCT

Sticker product

HW1

STICKER BOARD

Sticker board

HW7

PCB

MB1811



H3



H1



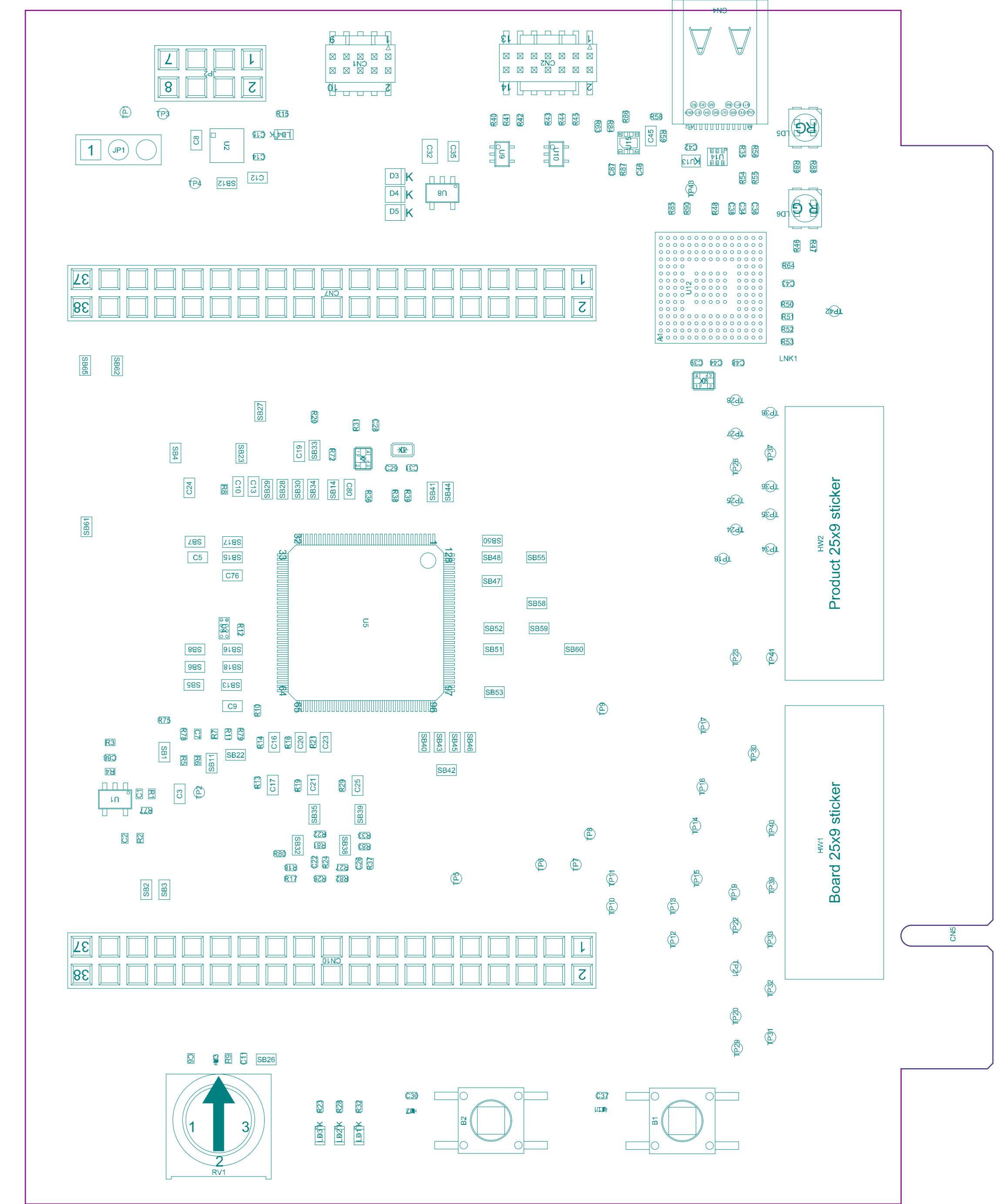
H4




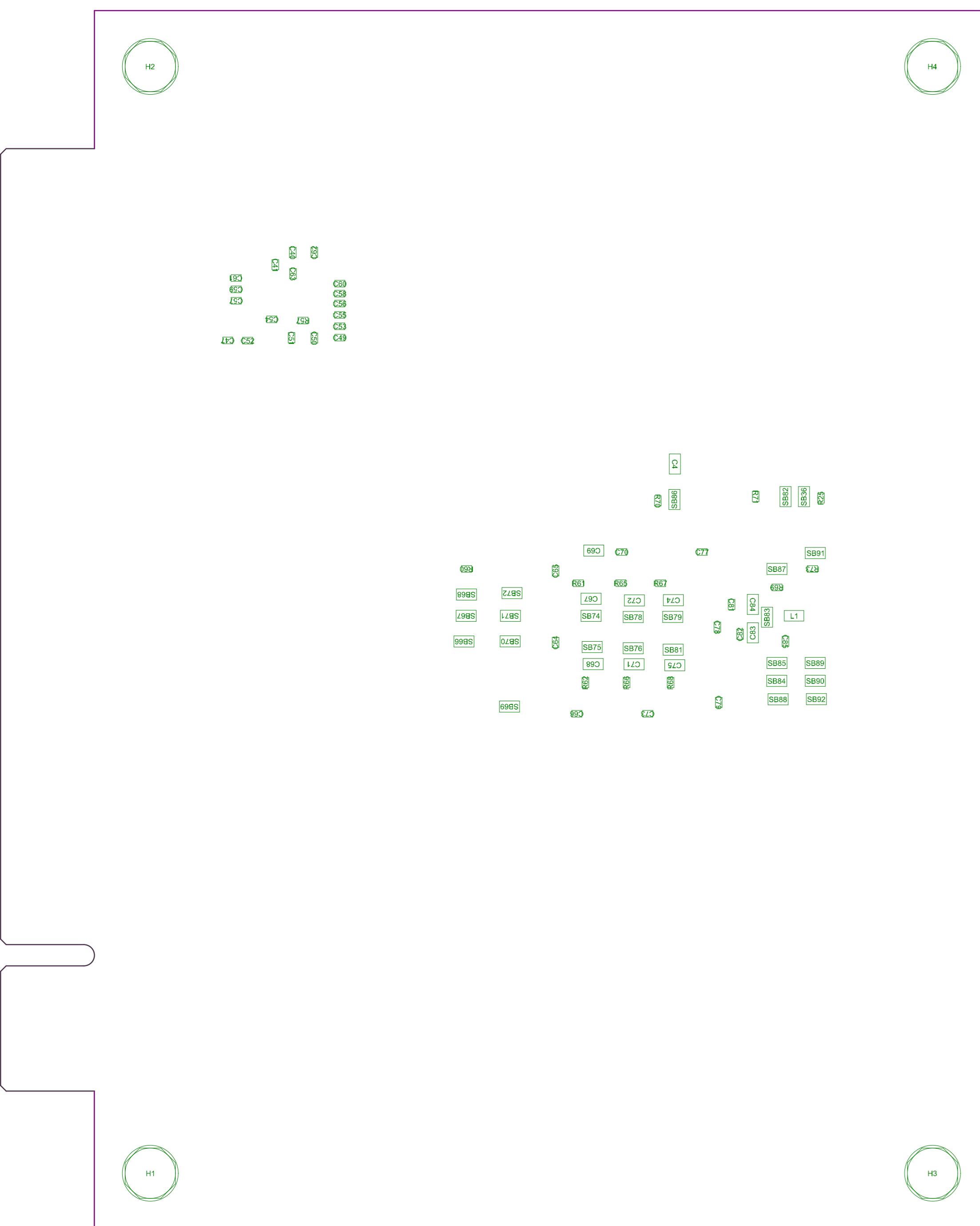
H2


Title: <b>Mechanical</b>		
Project: <b>ZeST MC Disco control board</b>		
Variant: G473QE		
Revision: B-02		Reference: MB1811
Size: A4	Date: 14-MAR-23	Sheet: 8 of 8





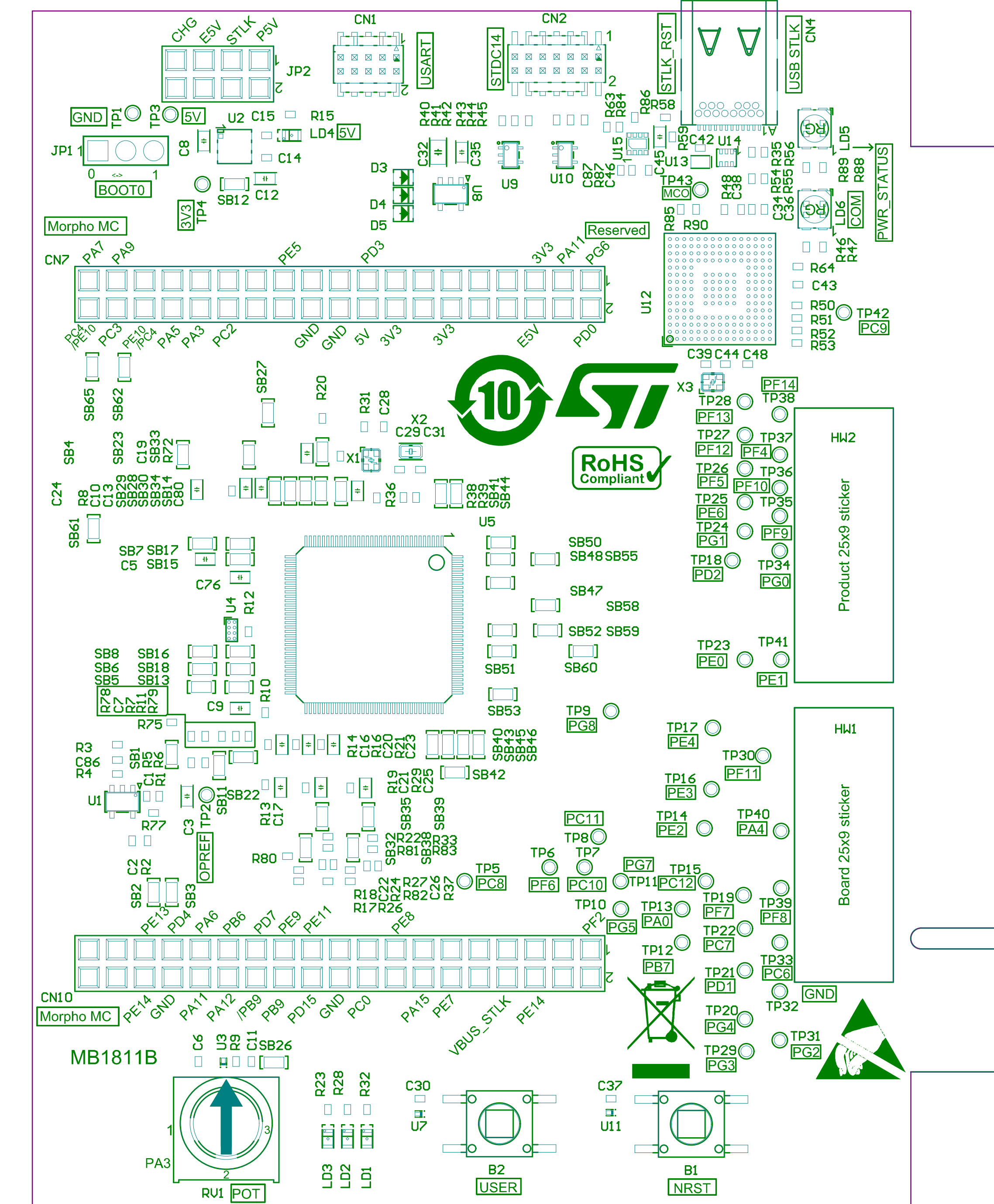
Project: ZeST MC Disco control board		
Layer: M14-Top Assembly	Gerber: .GM14	
Variant: G473QE	Ref: MB1811	
Date: 14-MAR-23	Rev: B	



Project: ZeST MC Disco control board		
Layer: M15-Bottom Assembly	Gerber: .GM15	
Variant: G473QE	Ref: MB1811	
Date: 14-MAR-23	Rev: B	







Morpho Assembly

.GIT04



