

NUCLEO-64

MB1814

Table of contents

- Sheet 1: Project overview (this page)
- Sheet 2: mb1814_Top
 - Sheet 3: STM32_microcontroller_IOs
 - Sheet 4: STM32_microcontroller_power
 - Sheet 5: Arduino & Morpho extension connectors
 - Sheet 6: Power
 - Sheet 7: USB User
 - Sheet 8: STLINK-V3EC

U_mb1814_Top
mb1814_Top.SchDoc

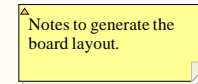


Legend

General comment such as function title, configuration, ...

Text to be added to silkscreen.

Warning text.



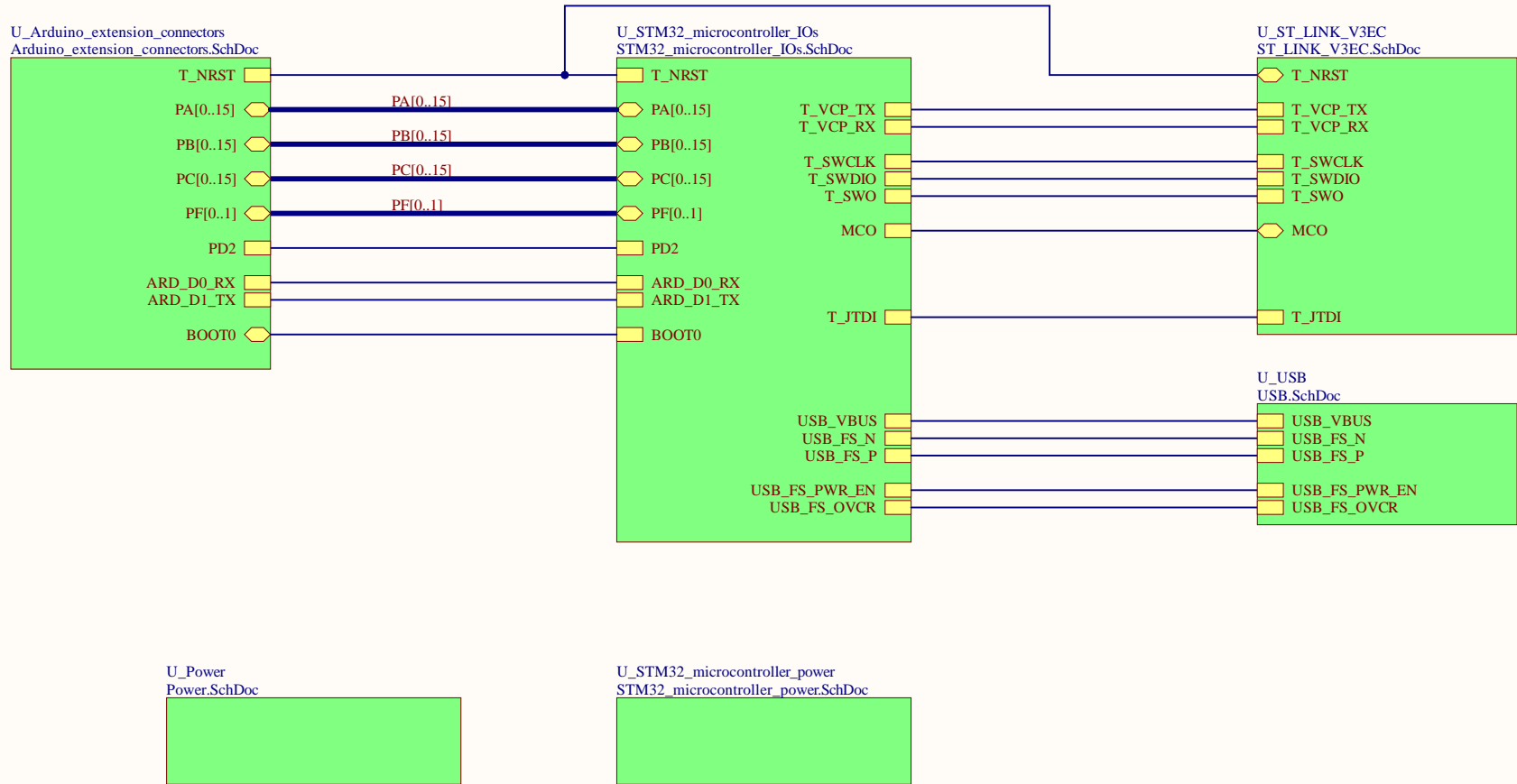
OPEN PLATFORM LICENSE AGREEMENT

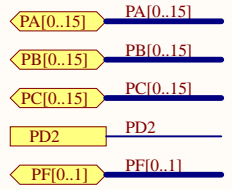
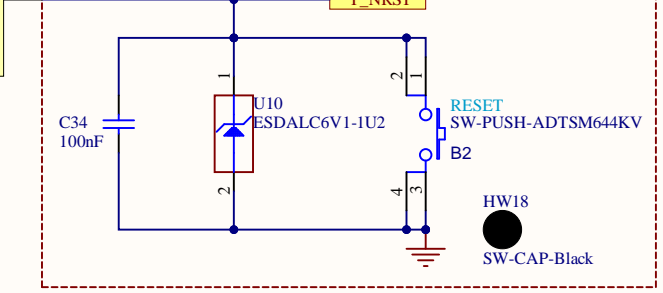
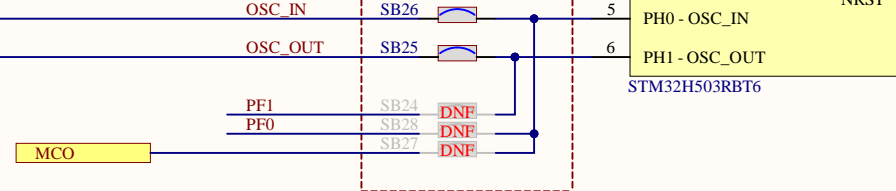
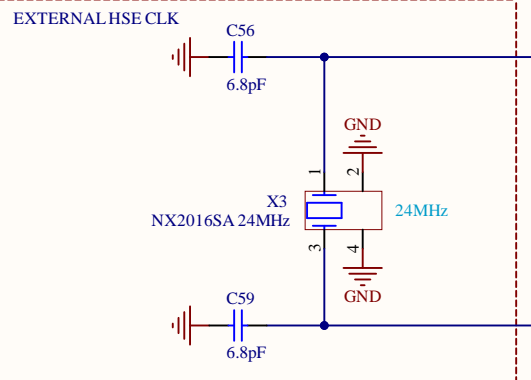
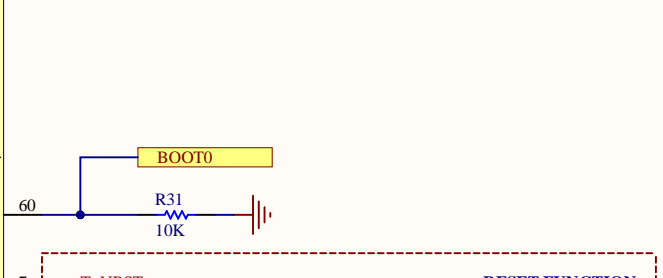
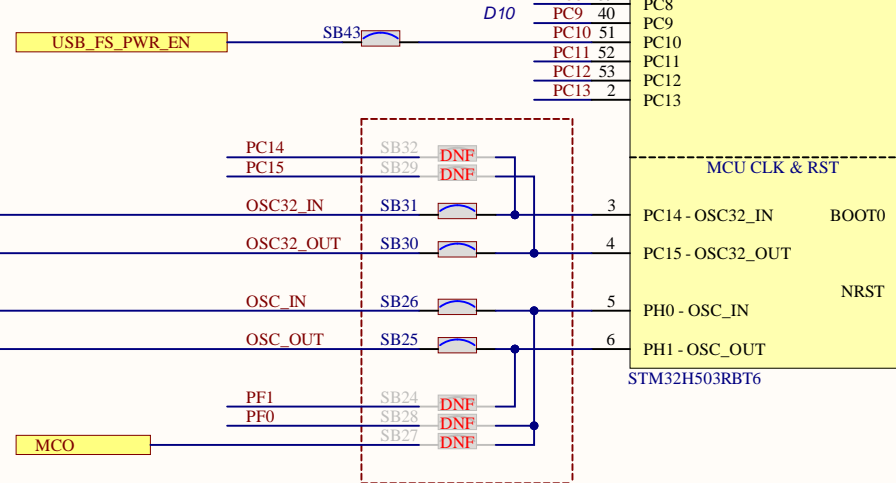
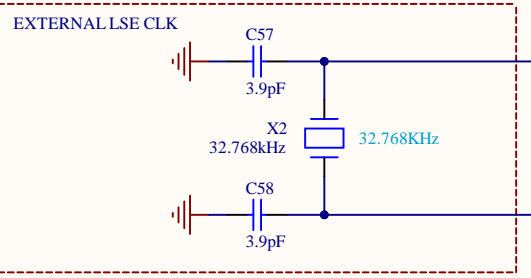
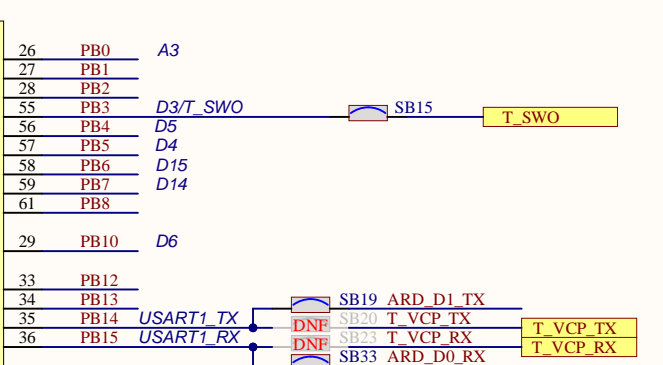
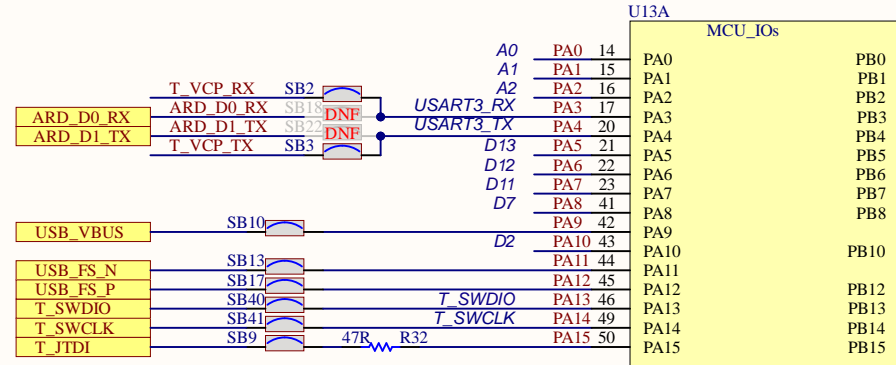
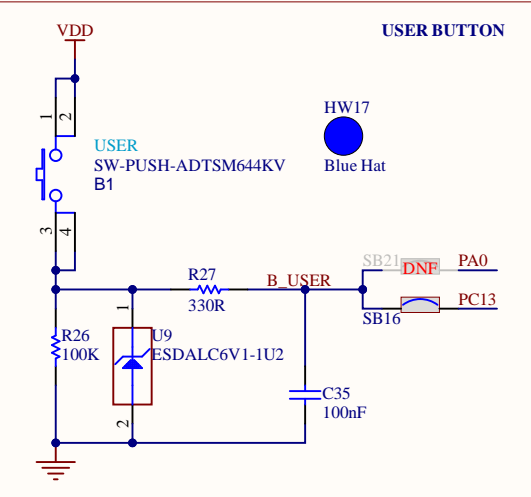
The Open Platform License Agreement (“Agreement”) is a binding legal contract between you (“You”) and STMicroelectronics International N.V. (“ST”), a company incorporated under the laws of the Netherlands acting for the purpose of this Agreement through its Swiss branch 39, Chemin du Champ des Filles, 1228 Plan-les-Ouates, Geneva, Switzerland.

By using the enclosed reference designs, schematics, PC board layouts, and documentation, in hardcopy or CAD tool file format (collectively, the “Reference Material”), You are agreeing to be bound by the terms and conditions of this Agreement. Do not use the Reference Material until You have read and agreed to this Agreement terms and conditions. The use of the Reference Material automatically implies the acceptance of the Agreement terms and conditions.

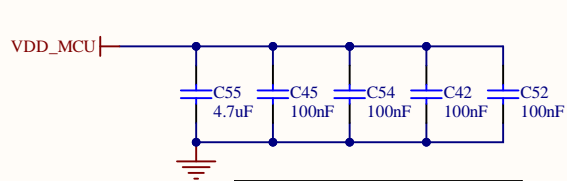
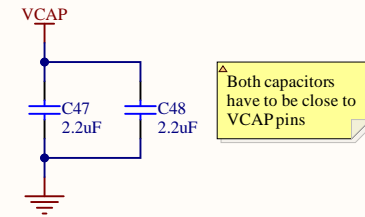
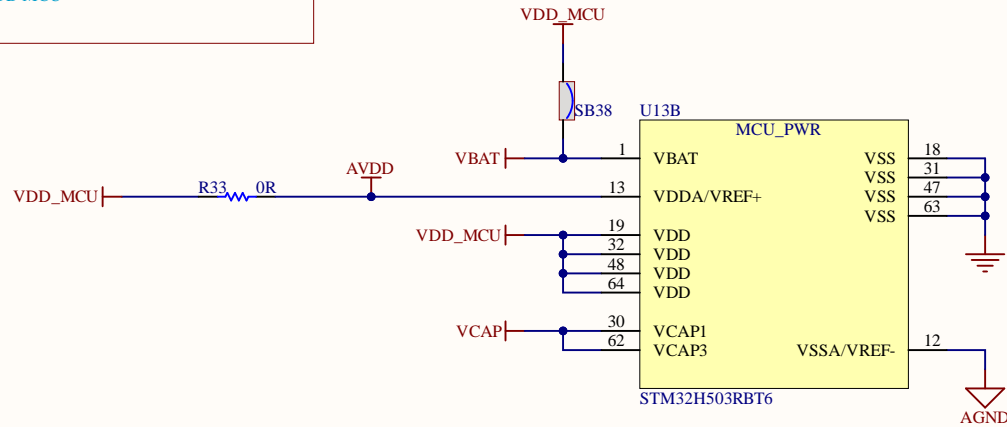
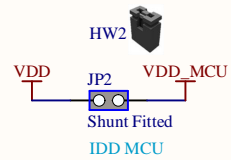
The complete Open Platform License Agreement can be found on www.st.com/opla.

Title: Project overview	
Project: NUCLEO-64	
Variant: H503	
Revision: B-01	Reference: MB1814
Size: A4	Date: 23-FEB-07
Sheet: 1 of 8	

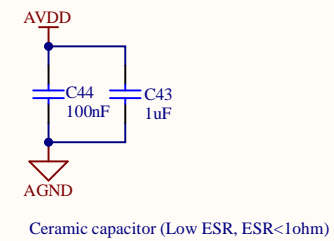
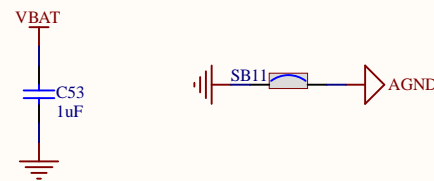




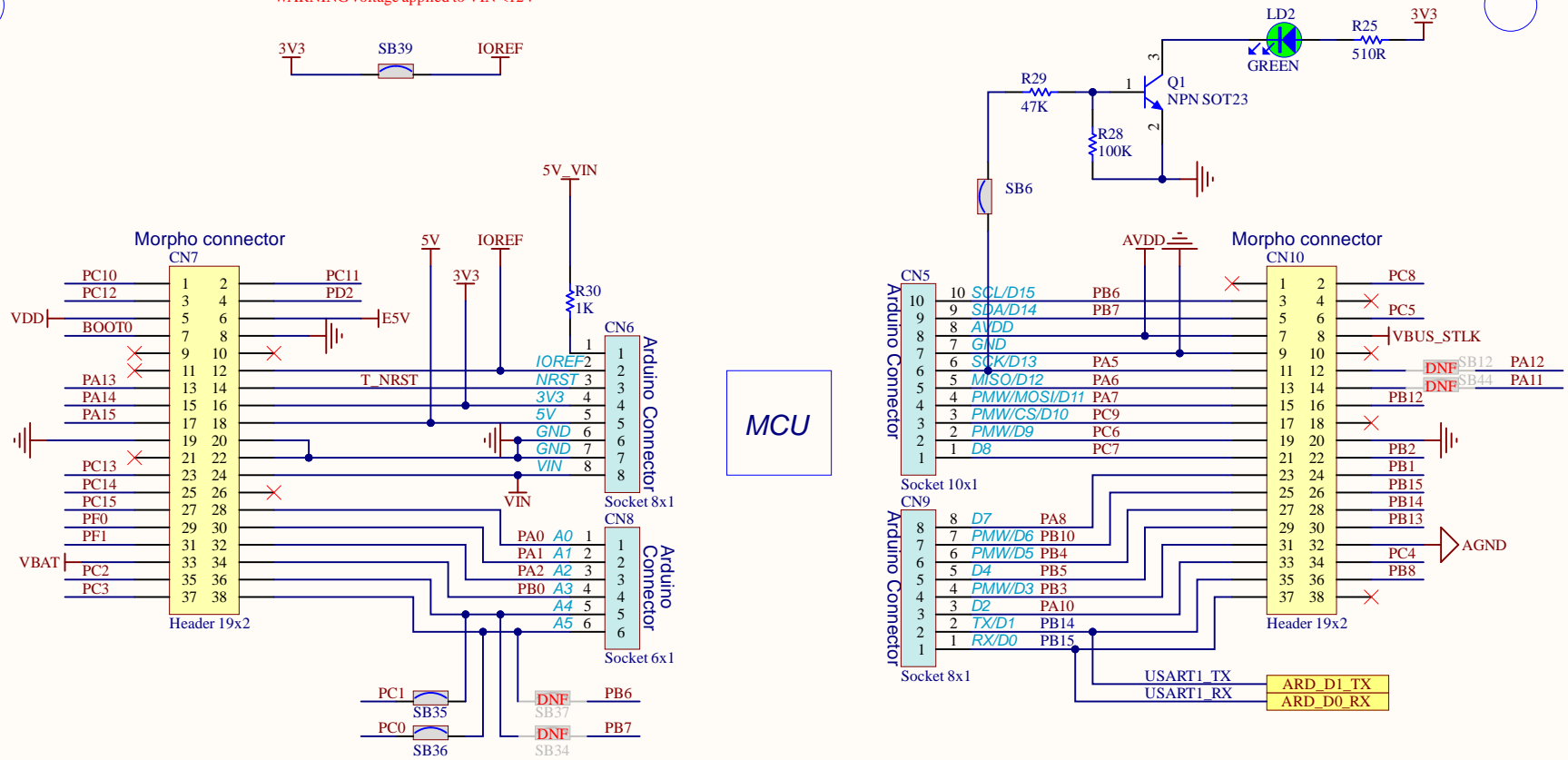
IDD Measurement



Decoupling capacitors have to be as close as possible from the pins.



WARNING voltage applied to VIN <12V



MCU

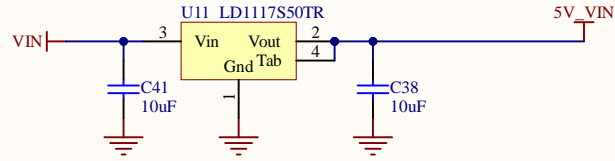
SB34 & SB37 to be ON only for I2C on A4/A5.
Pull-up resistors to be populated on Arduino shield

- PA[0..15] PA[0..15]
- PB[0..15] PB[0..15]
- PC[0..15] PC[0..15]
- PD2 PD2
- T_NRST T_NRST
- PF[0..1] PF[0..1]
- BOOT0 BOOT0

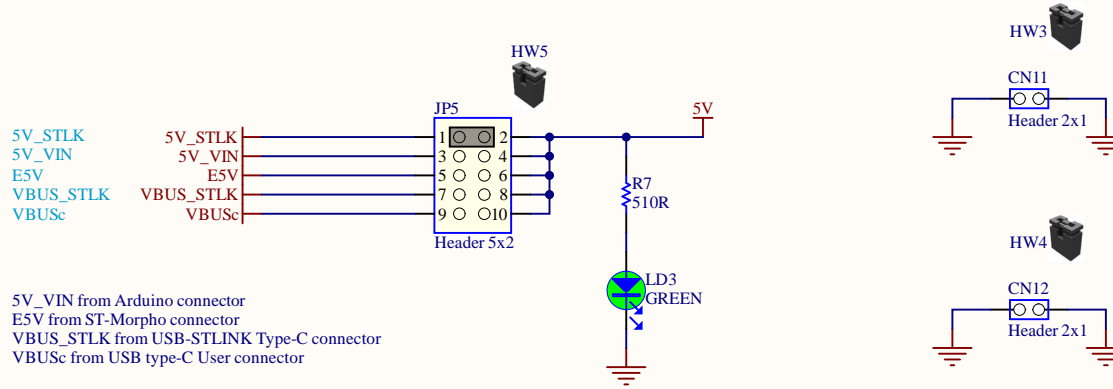
Title: Arduino & Morpho extension connectors	
Project: NUCLEO-64	
Variant: H503	
Revision: B-01	Reference: MB1814
Size: A4	Date: 23-FEB-07
Sheet: 5 of 8	



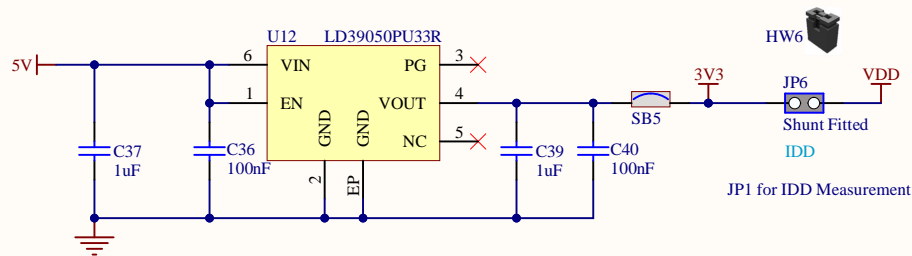
VIN / 5V POWER

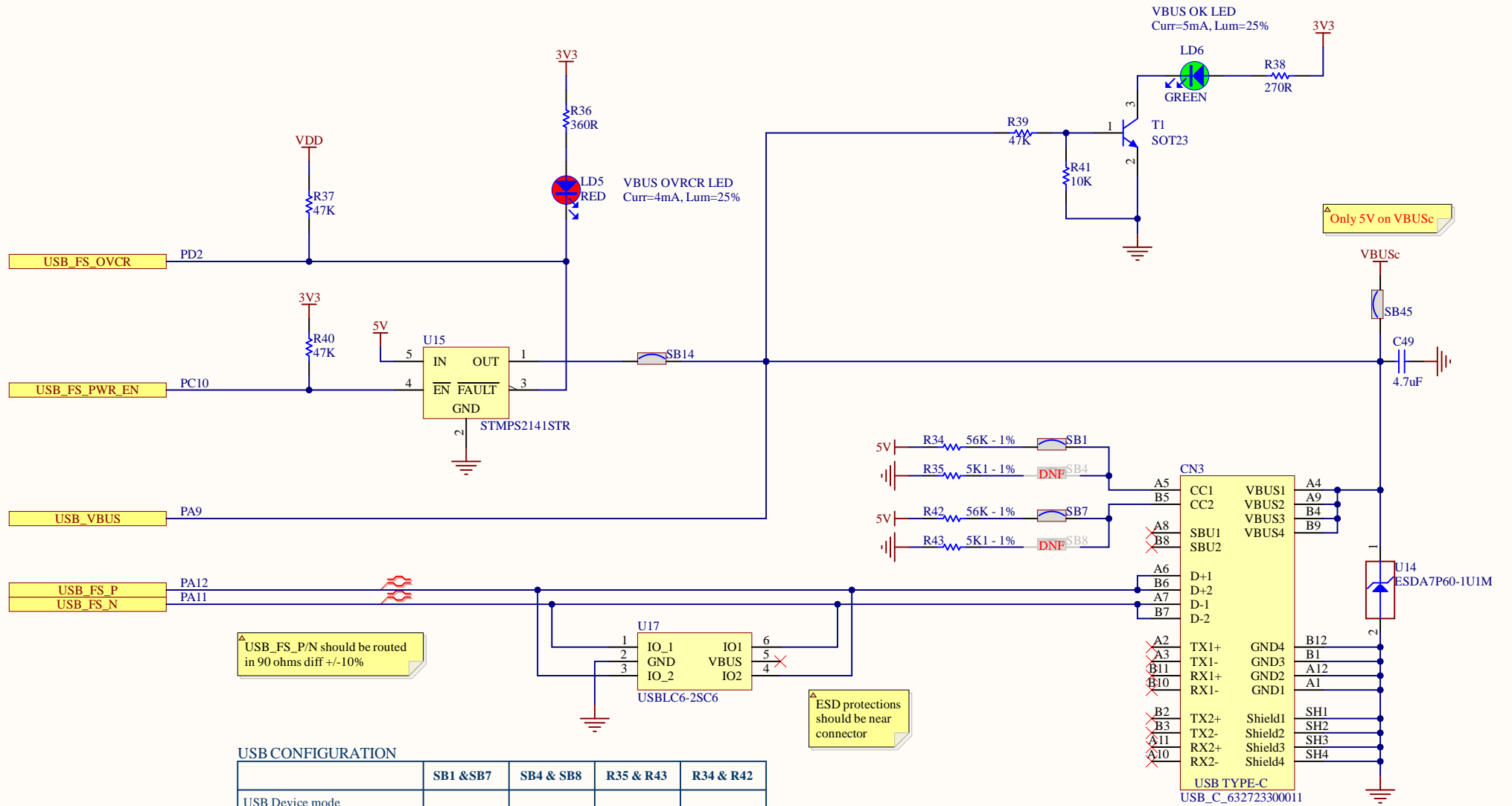


5V POWER SOURCE SELECTION



VDD POWER





USB_FS_P/N should be routed in 90 ohms diff +/-10%

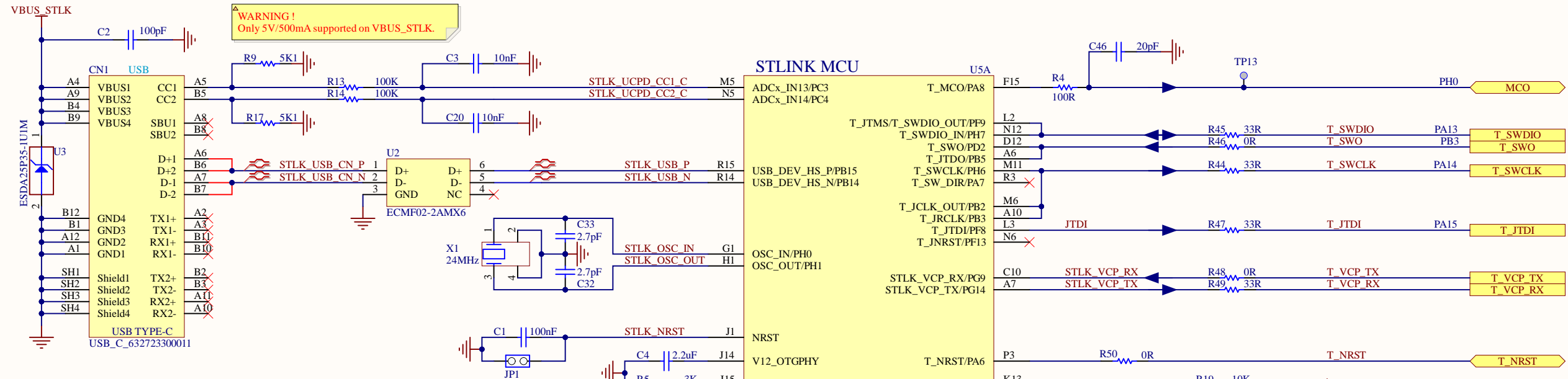
ESD protections should be near connector

USB CONFIGURATION

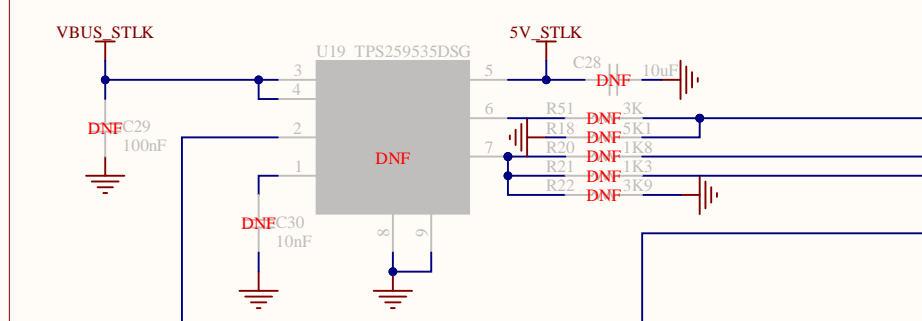
	SB1 & SB7	SB4 & SB8	R35 & R43	R34 & R42
USB Device mode Recommended	OFF	ON	ON	OFF
USB Host mode (Default) Not to be used	ON	OFF	OFF	ON



ST-LINK USB CONNECTOR



5V_STLK OVERVOLTAGE AND OVERCURRENT PROTECTION

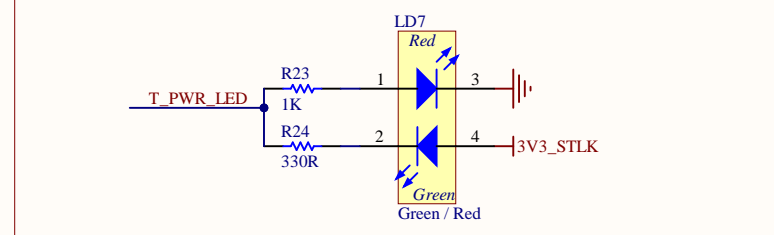


5V_STLK OVERCURRENT PROTECTION MANAGEMENT

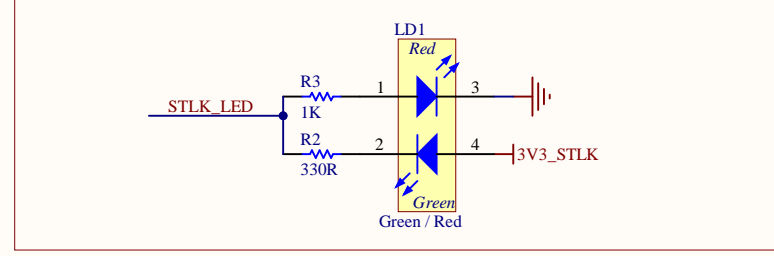
	T_PWR_SEL2/PD5	T_PWR_SEL1/PD4
PowerDefault SNK (Current limit: 550mA)	Hi-Z	Hi-Z
Power1.5.SNK (Current limit: 1.66A)	Hi-Z	0
Power3.0.SNK (Current limit: 3.2A)	0	0

HZ= IO set in high impedance

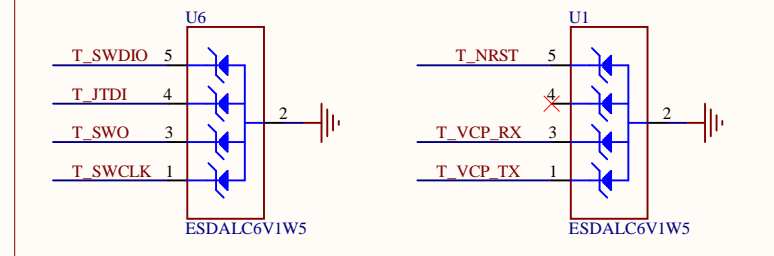
LED POWER STATUS



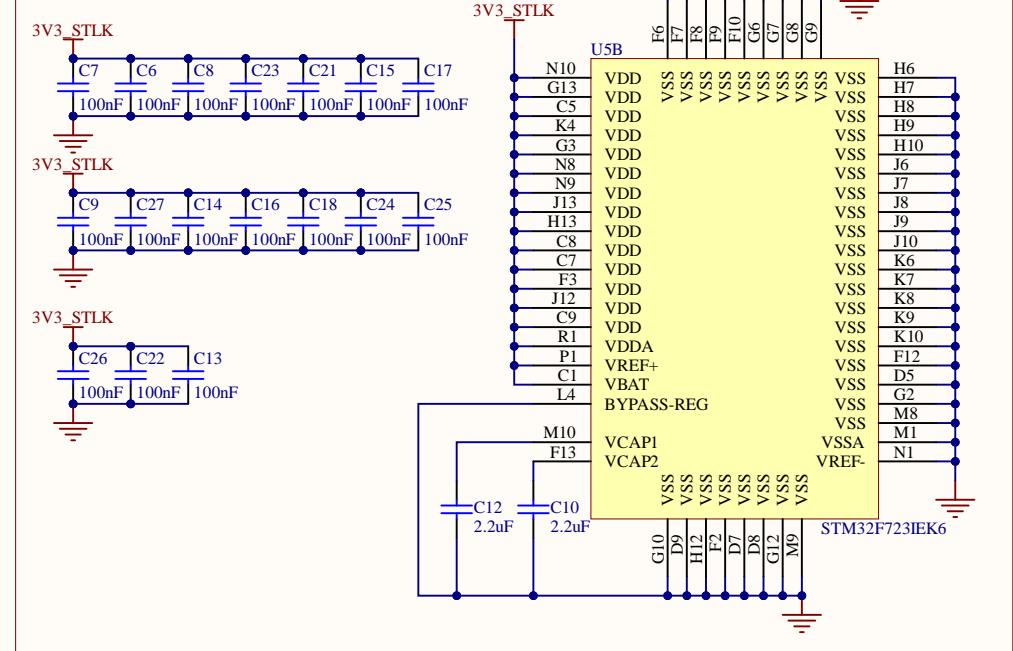
LED STLINK



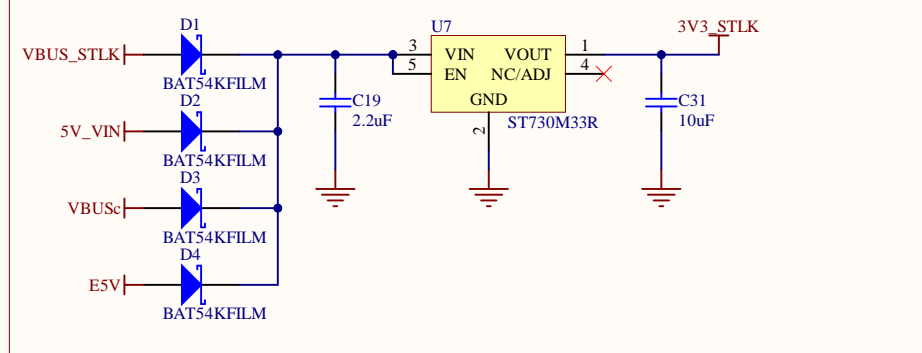
ESD PROTECTIONS



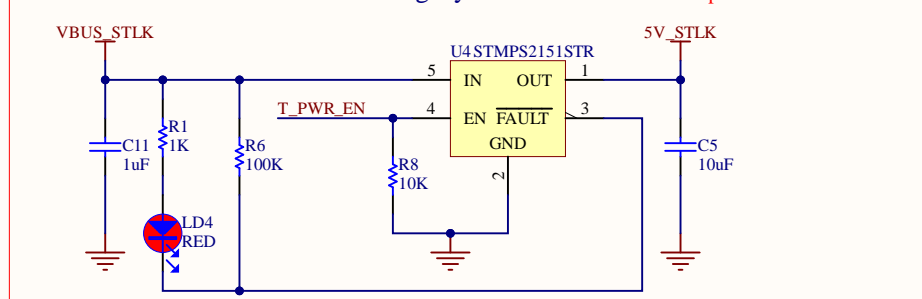
STLINK POWER



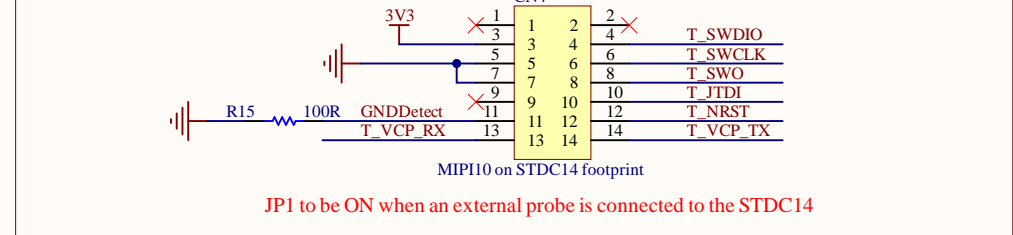
ST-LINK POWER (3V3/300mA)

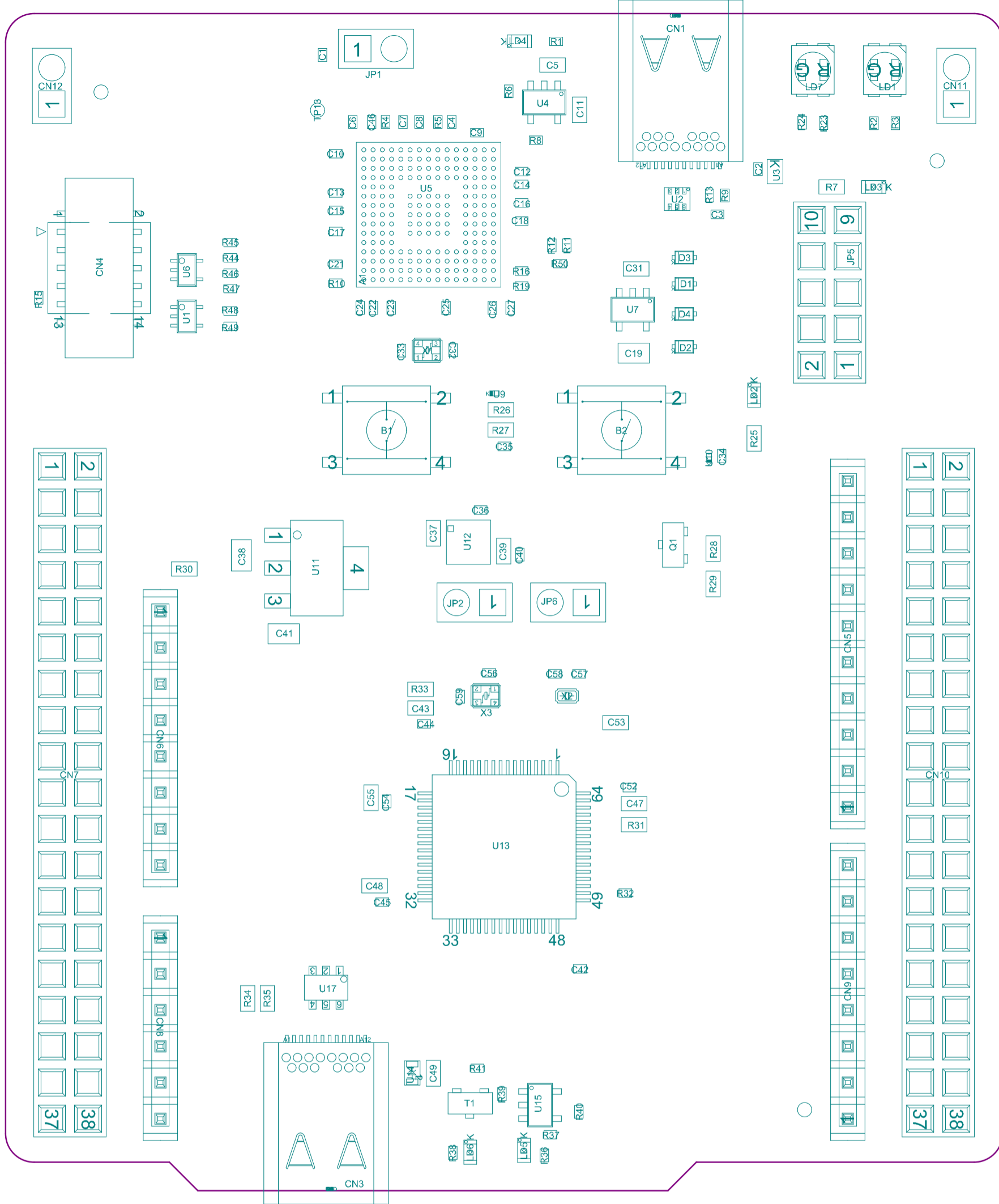


5V ST-LINK PROTECTION for legacy



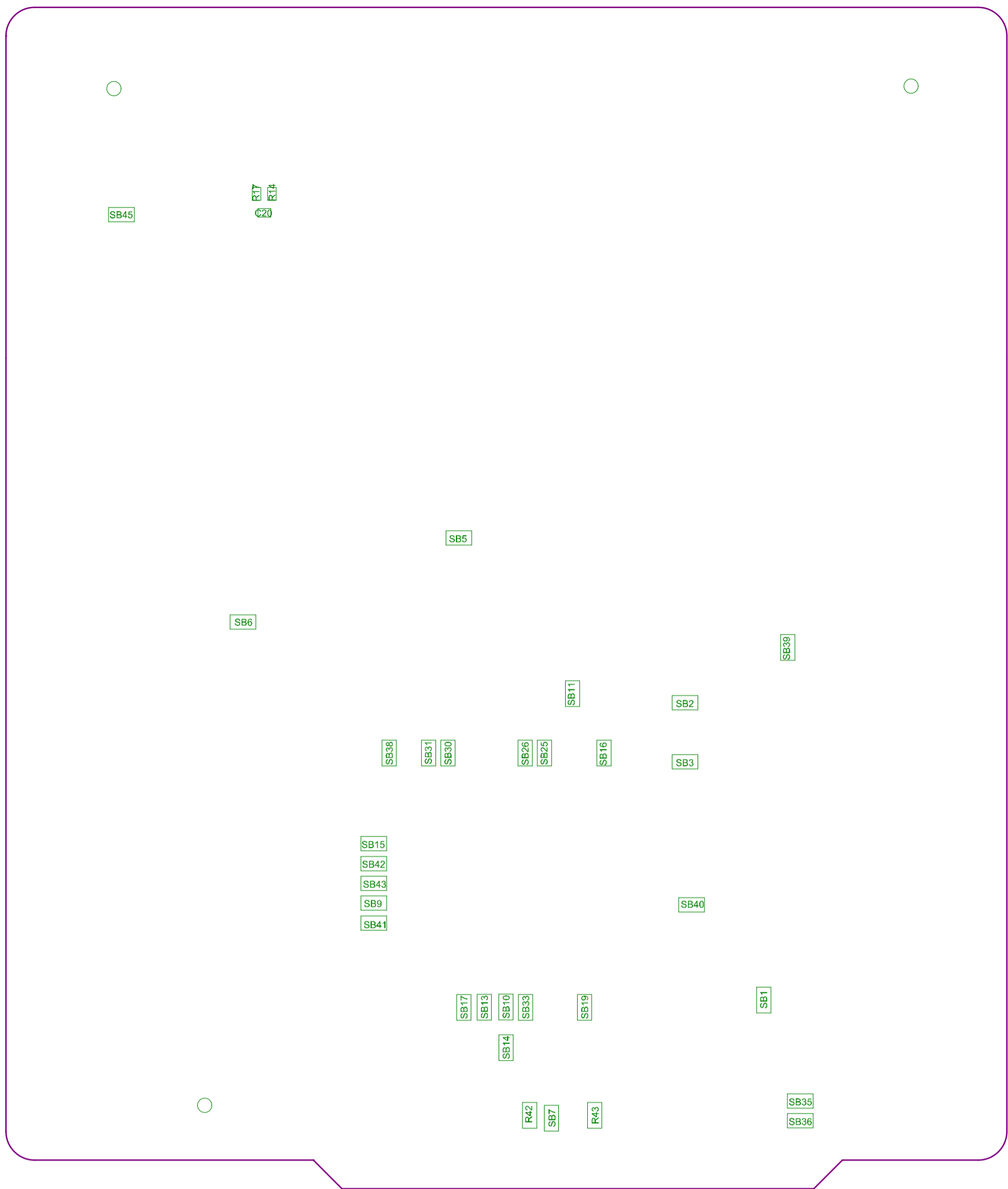
STDC14 RECEIVER





Project: NUCLEO-64	
Layer: M14-Top Assembly	Gerber: .GM14
Variant: H503	MB1814
Date: 23-FEB-07	Rev: B





Project: NUCLEO-64	
Layer: M15-Bottom Assembly	Gerber: .GM15
Variant: H503	MB1814
Date: 23-FEB-07	Rev: B



