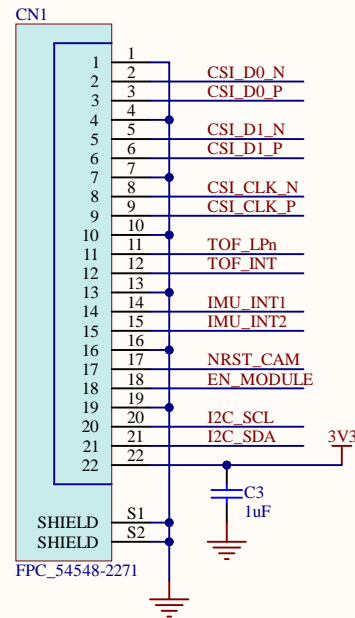
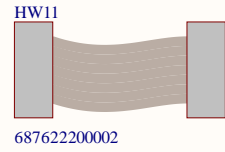
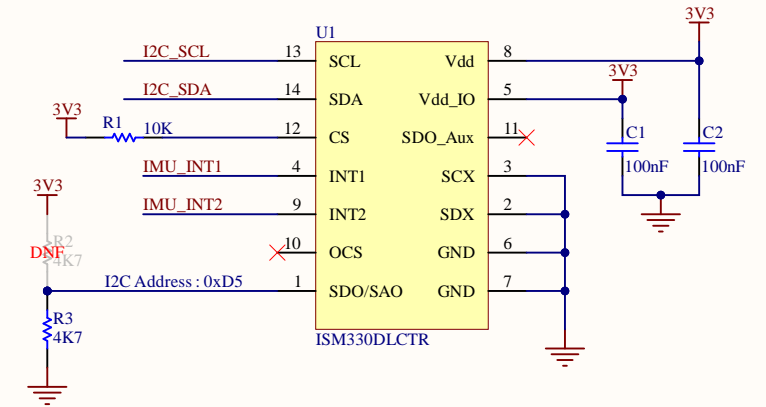


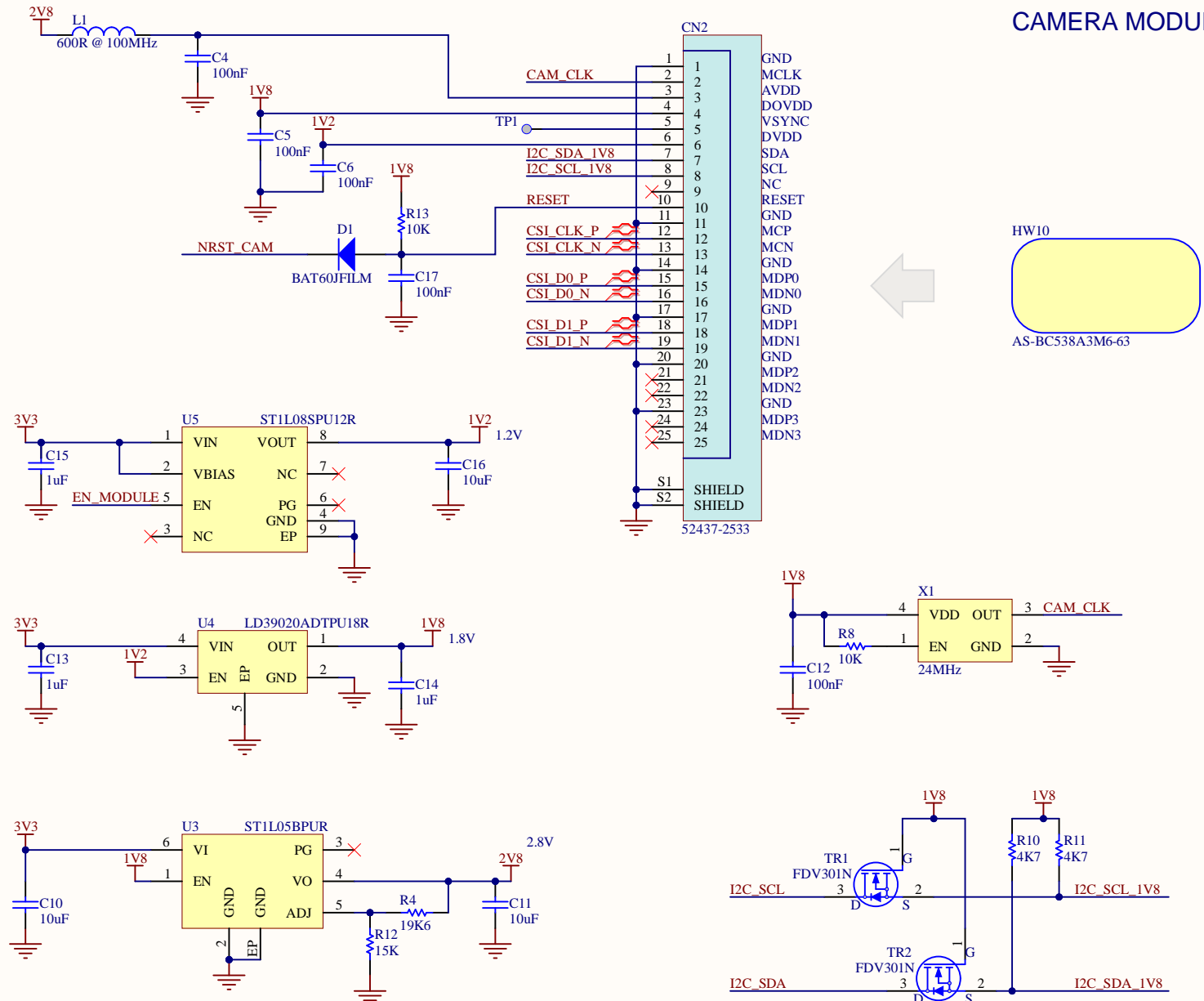
FFC CONNECTOR



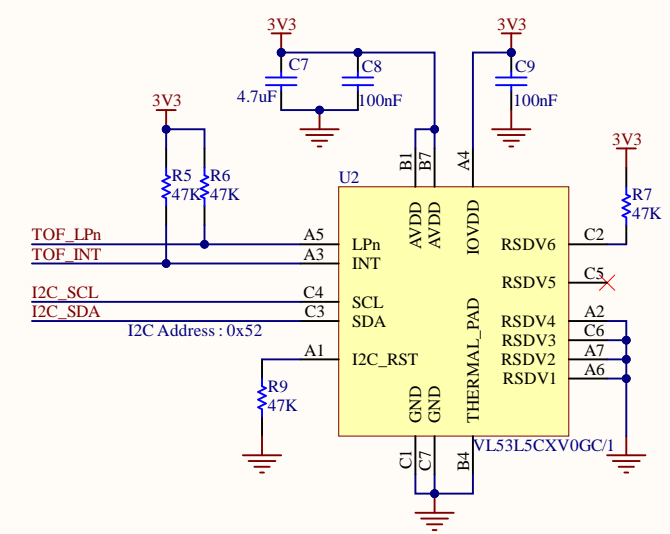
INERTIAL MEASUREMENT UNIT

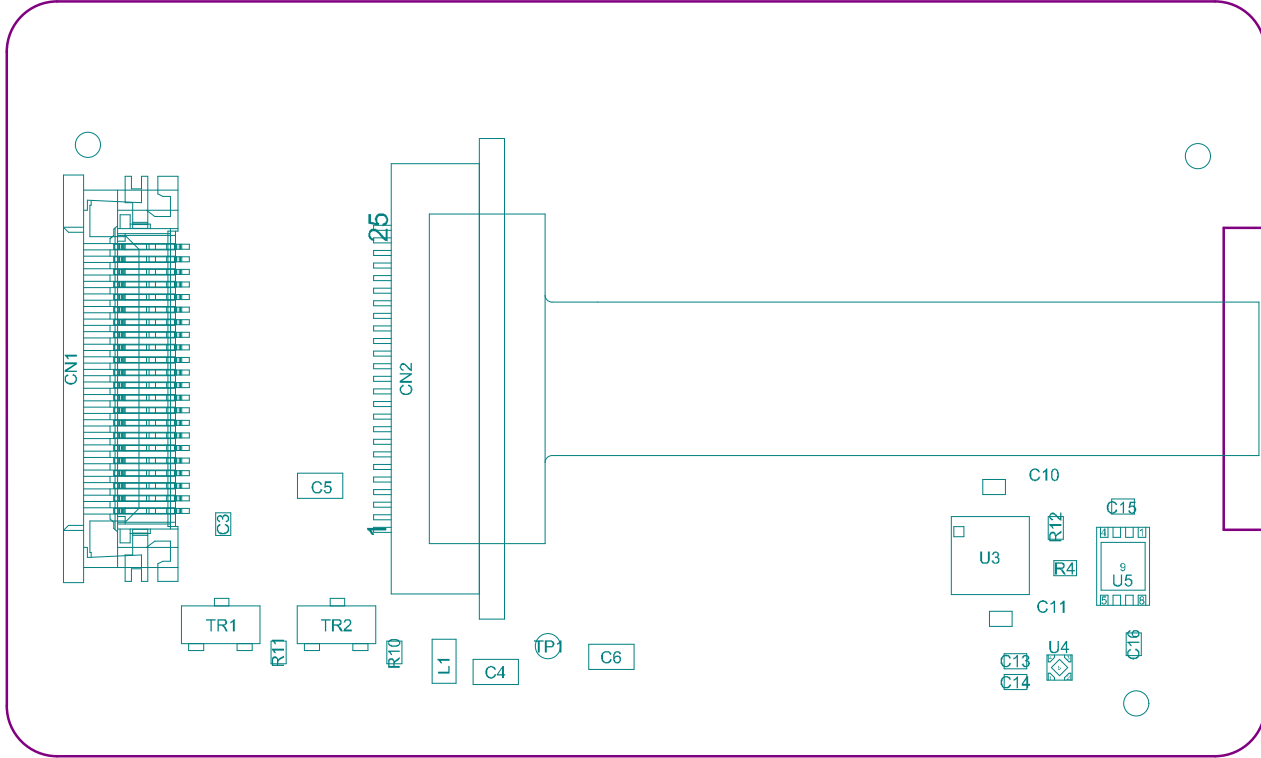


CAMERA MODULE

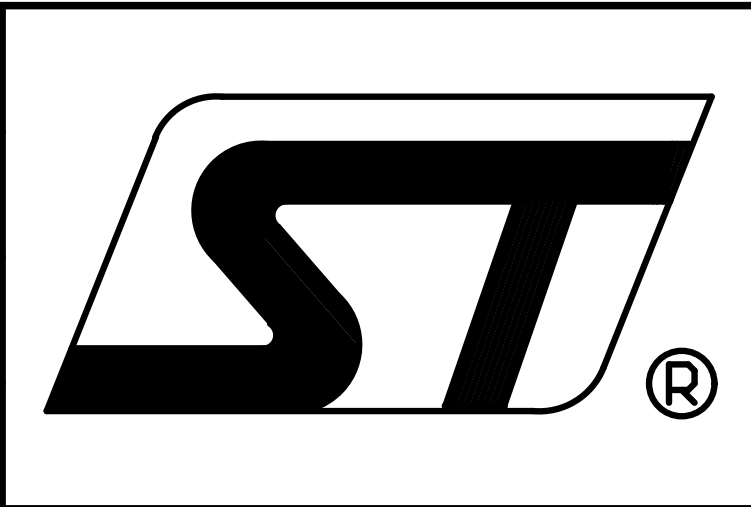


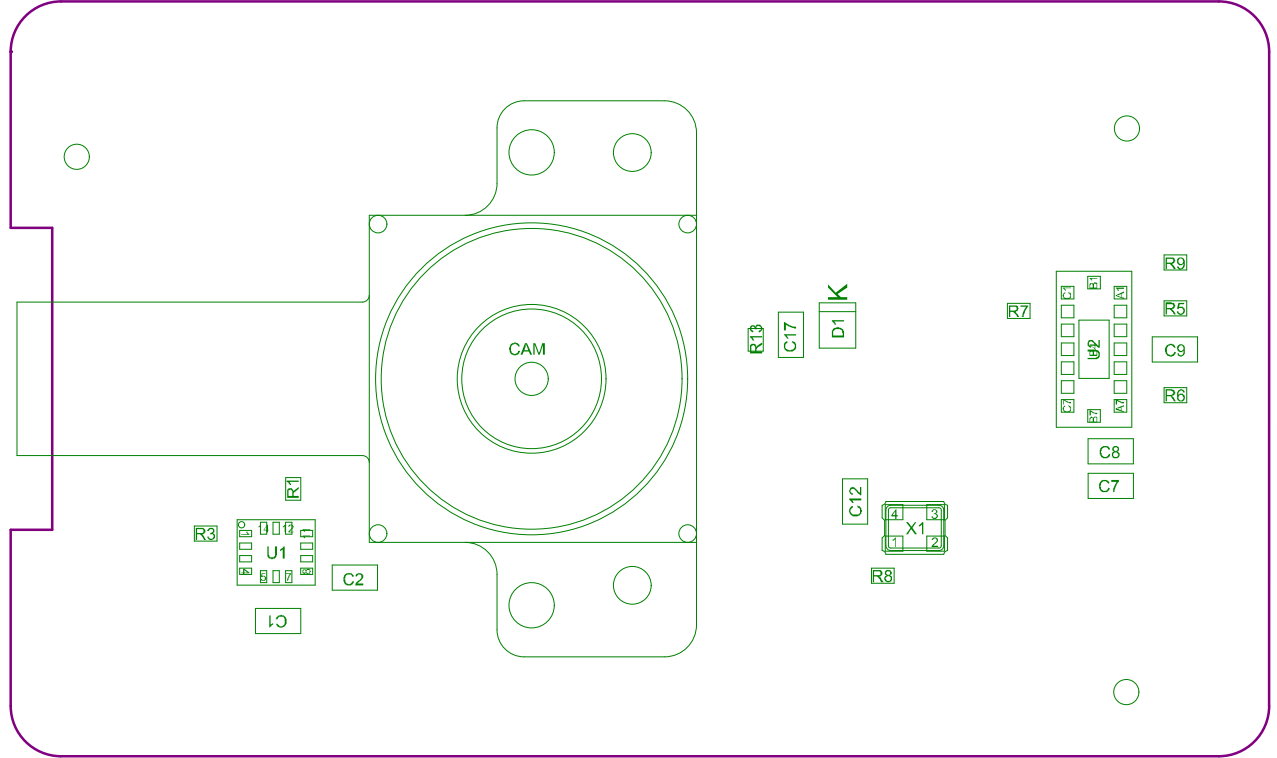
TIME-of-FLIGHT





Project: AI Camera Board	
Layer: M14-Top Assembly	Gerber: .GM14
Variant: CSI	Ref: MB1854
Date: 22-09-28	Rev: B





Project: AI Camera Board	
Layer: M15-Bottom Assembly	Gerber: .GM15
Variant: CSI	Ref: MB1854
Date: 22-09-28	Rev: B

