

STM32WB1M STMod+ expansion board

MB1868

Table of contents

Sheet 1: Project overview (this page)

Sheet 2: Top

Sheet 3: STM32WB1M

Sheet 4: MEMs sensors

Sheet 45 STMOD+ interface

Sheet 6: Board Supply

Top
Top.SchDoc

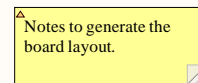


Legend

General comment such as function title, configuration, ...

Text to be added to silkscreen.

Warning text.



OPEN PLATFORM LICENSE AGREEMENT

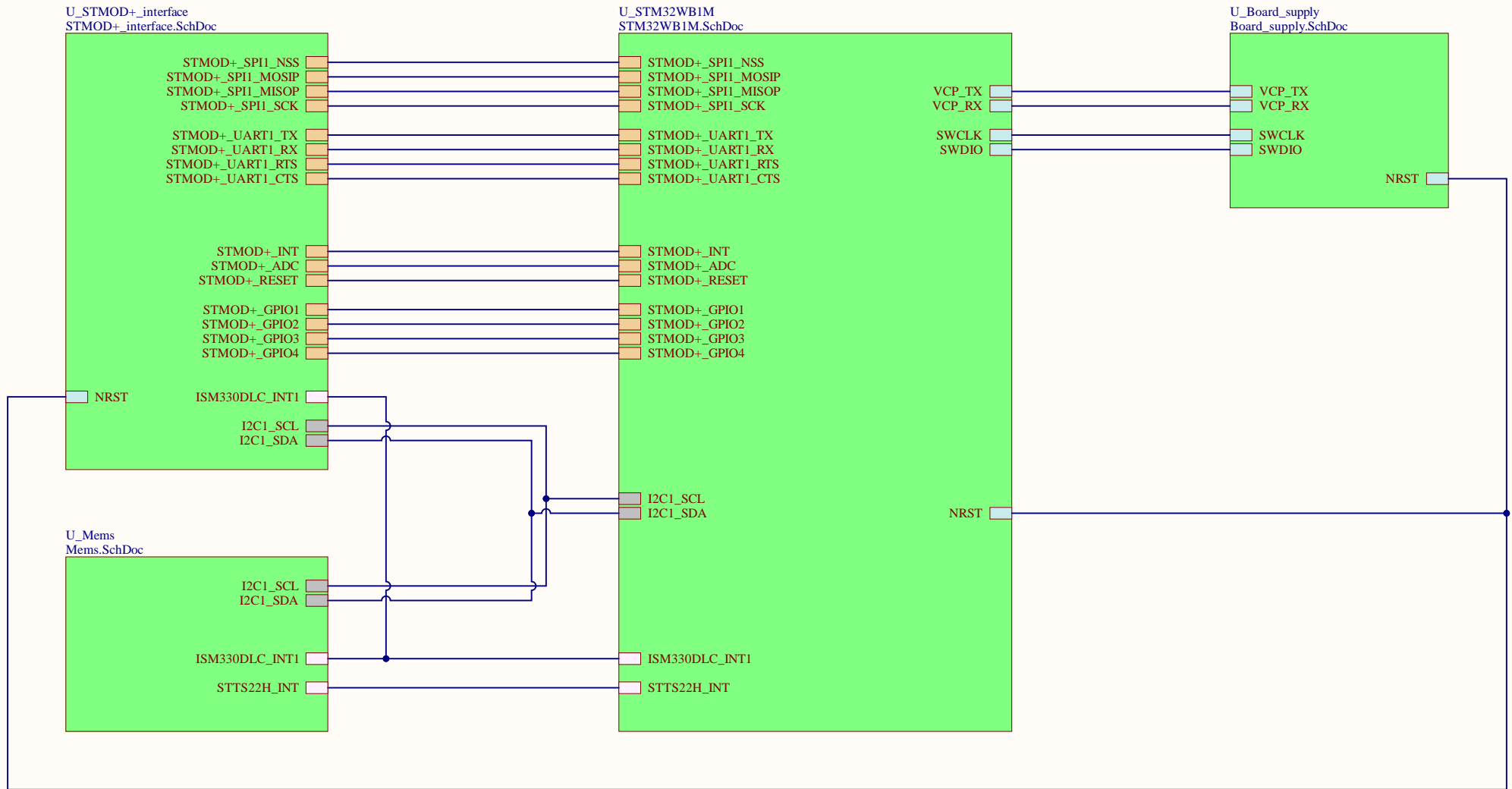
The Open Platform License Agreement (“Agreement”) is a binding legal contract between you (“You”) and STMicroelectronics International N.V. (“ST”), a company incorporated under the laws of the Netherlands acting for the purpose of this Agreement through its Swiss branch 39, Chemin du Champ des Filles, 1228 Plan-les-Ouates, Geneva, Switzerland.

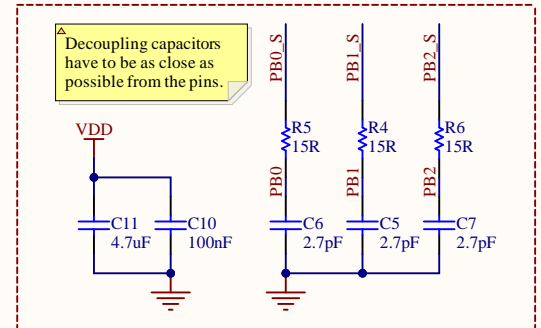
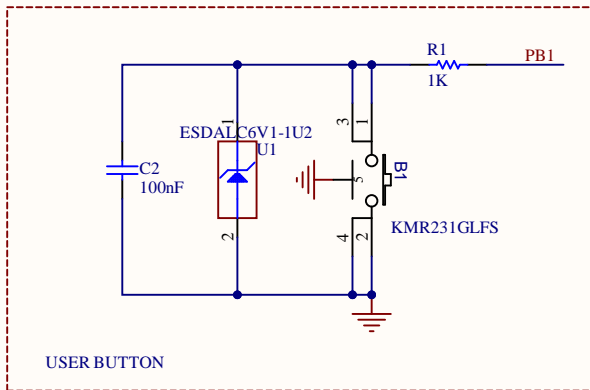
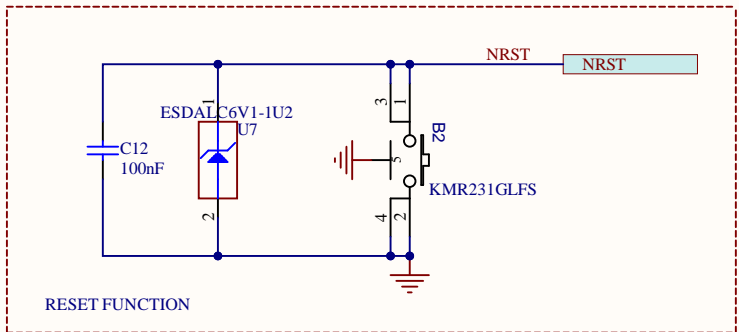
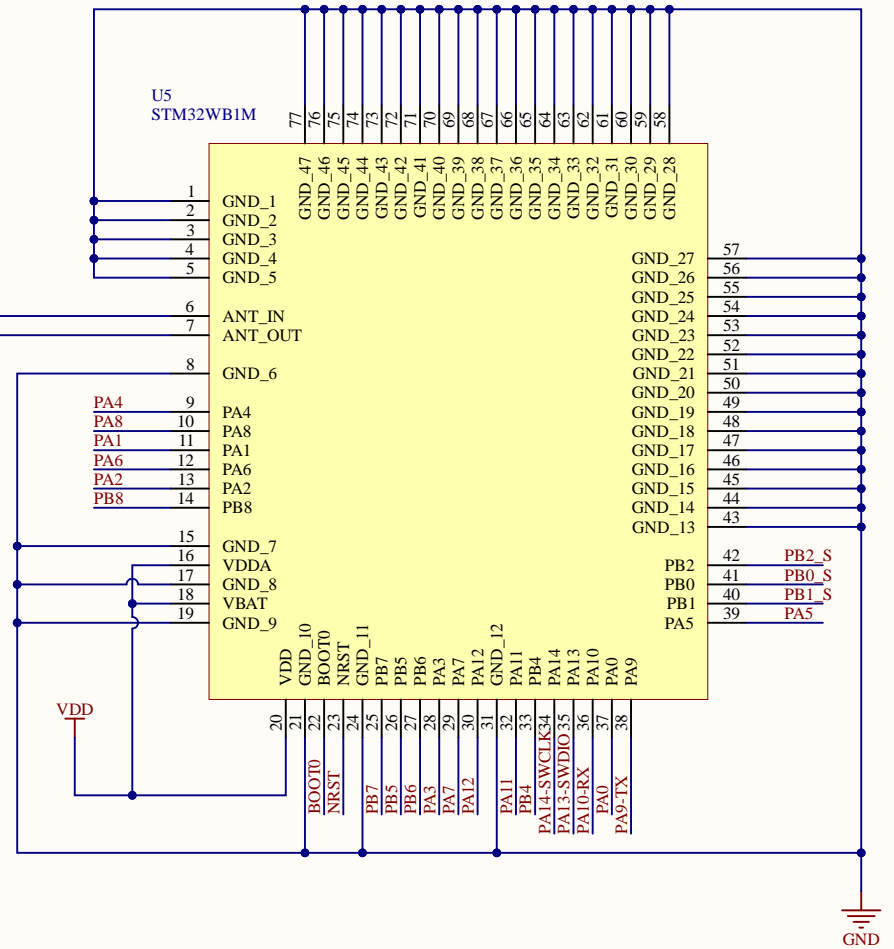
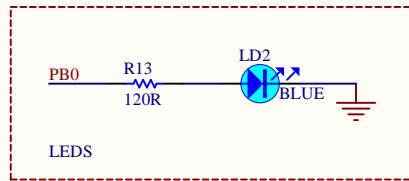
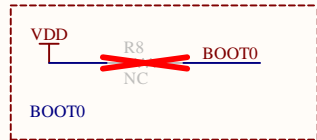
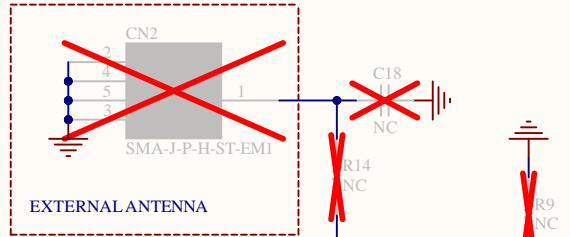
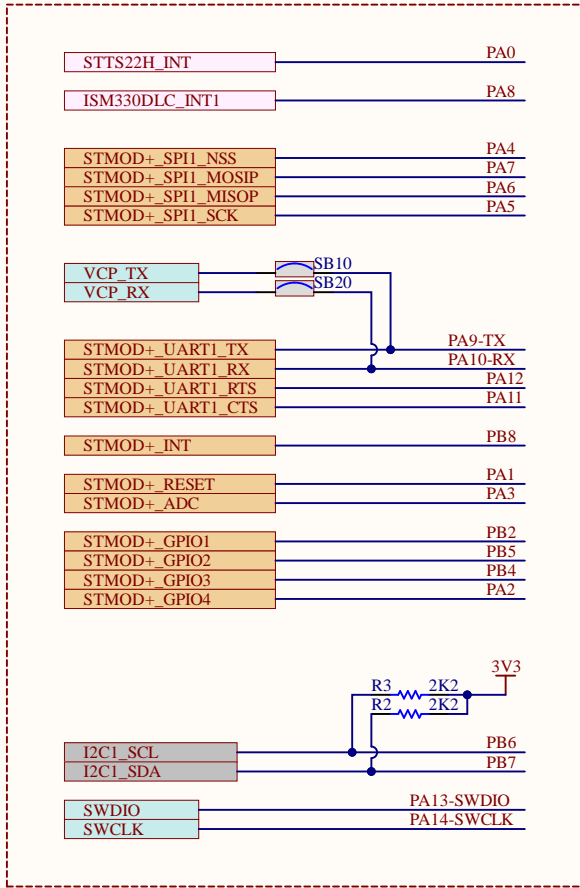
By using the enclosed reference designs, schematics, PC board layouts, and documentation, in hardcopy or CAD tool file format (collectively, the “Reference Material”), You are agreeing to be bound by the terms and conditions of this Agreement. Do not use the Reference Material until You have read and agreed to this Agreement terms and conditions. The use of the Reference Material automatically implies the acceptance of the Agreement terms and conditions.

The complete Open Platform License Agreement can be found on www.st.com/opla.

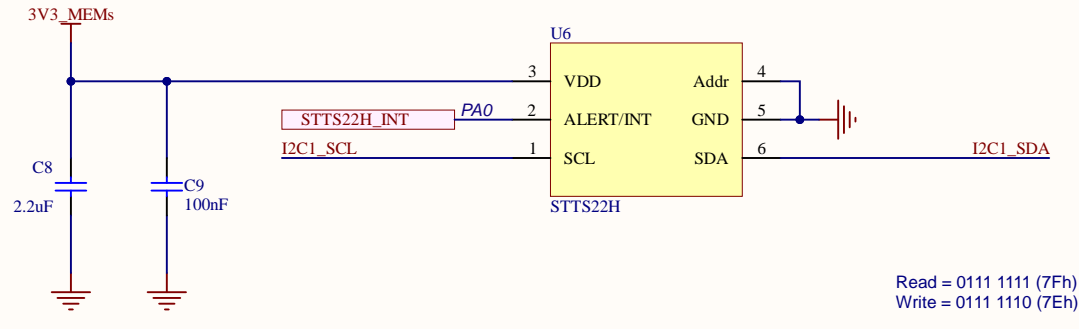
Title: Project overview		
Project: STM32WB1M STMod+ expansion board		
Variant: WB1M		
Revision: E-02		Reference: MB1868
Size: A4	Date: 04-SEP-2024	Sheet: 1 of 6



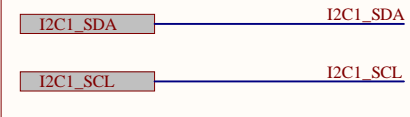
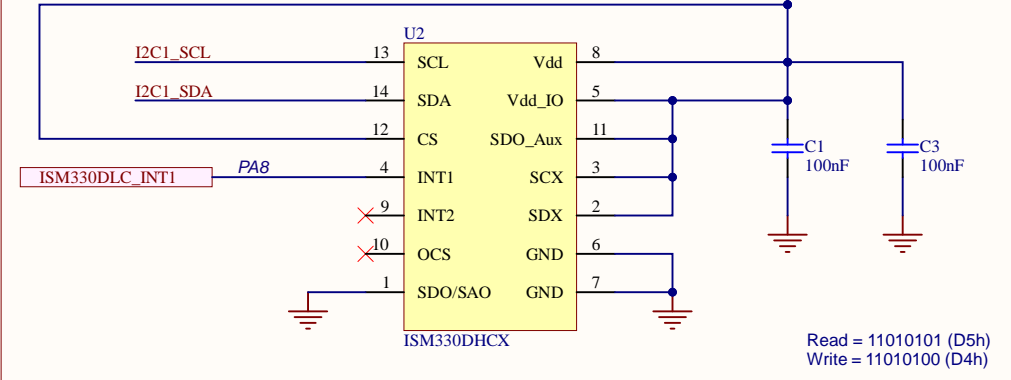




Capacitive digital sensor for temperature

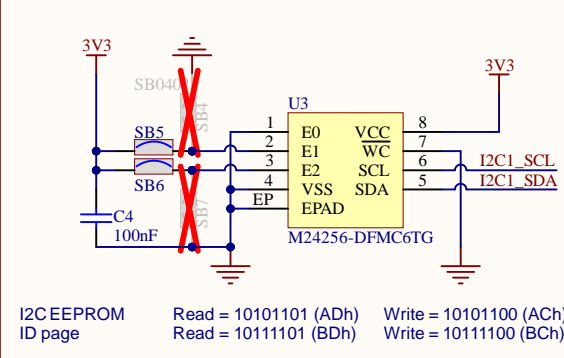


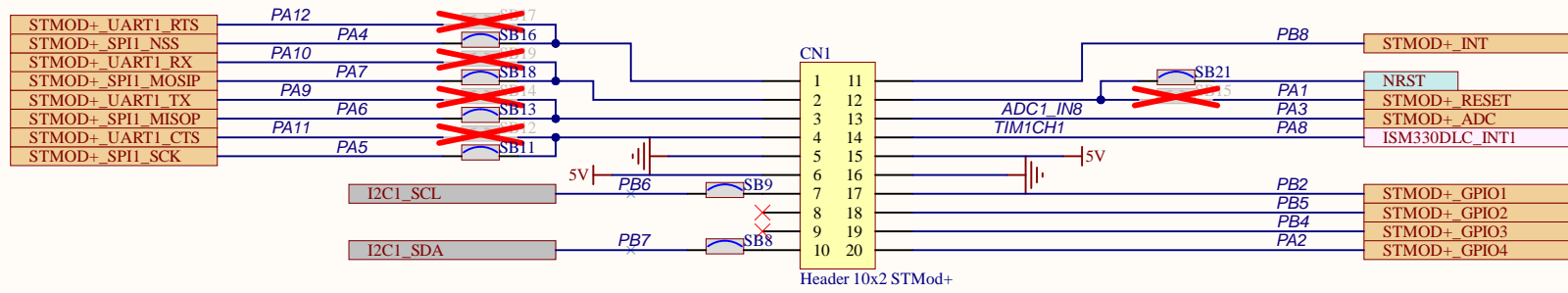
3D accelerometer and 3D gyroscope



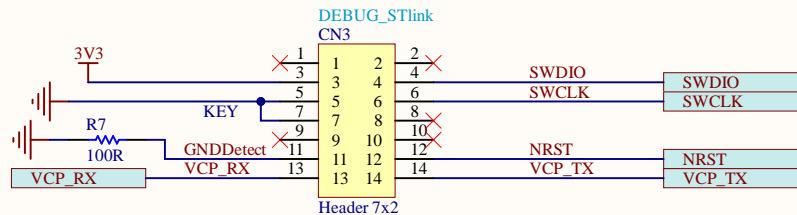
▲ 100nF Capacitors on external supplies should be placed as close as possible to the supply pads of the MEMs.

I2C Bus EEPROM



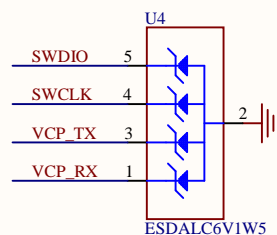


STDC14 receiver connector



Specific constraints for SWDIO and SWCLK (must have same length and must be Shielded).

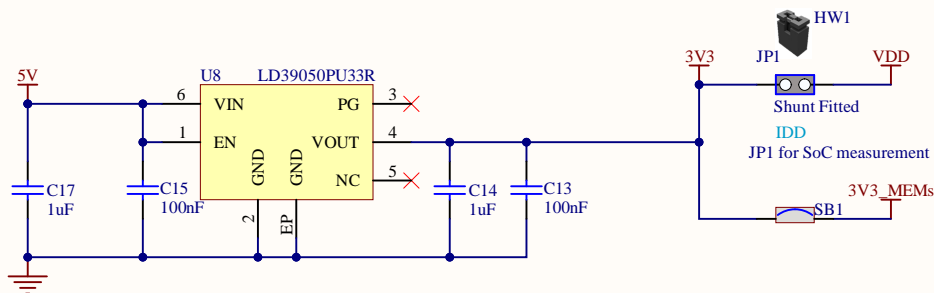
ESD protections for connectors



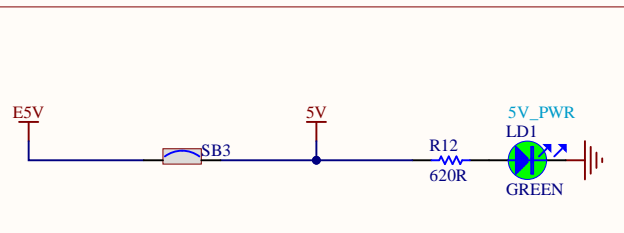
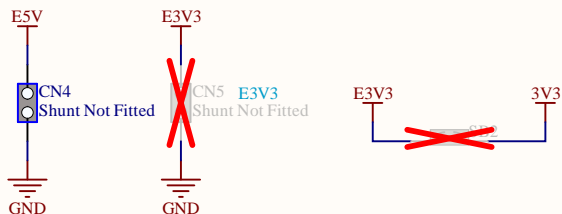
Pin attributions on ESD can be swapped for layout optimisation

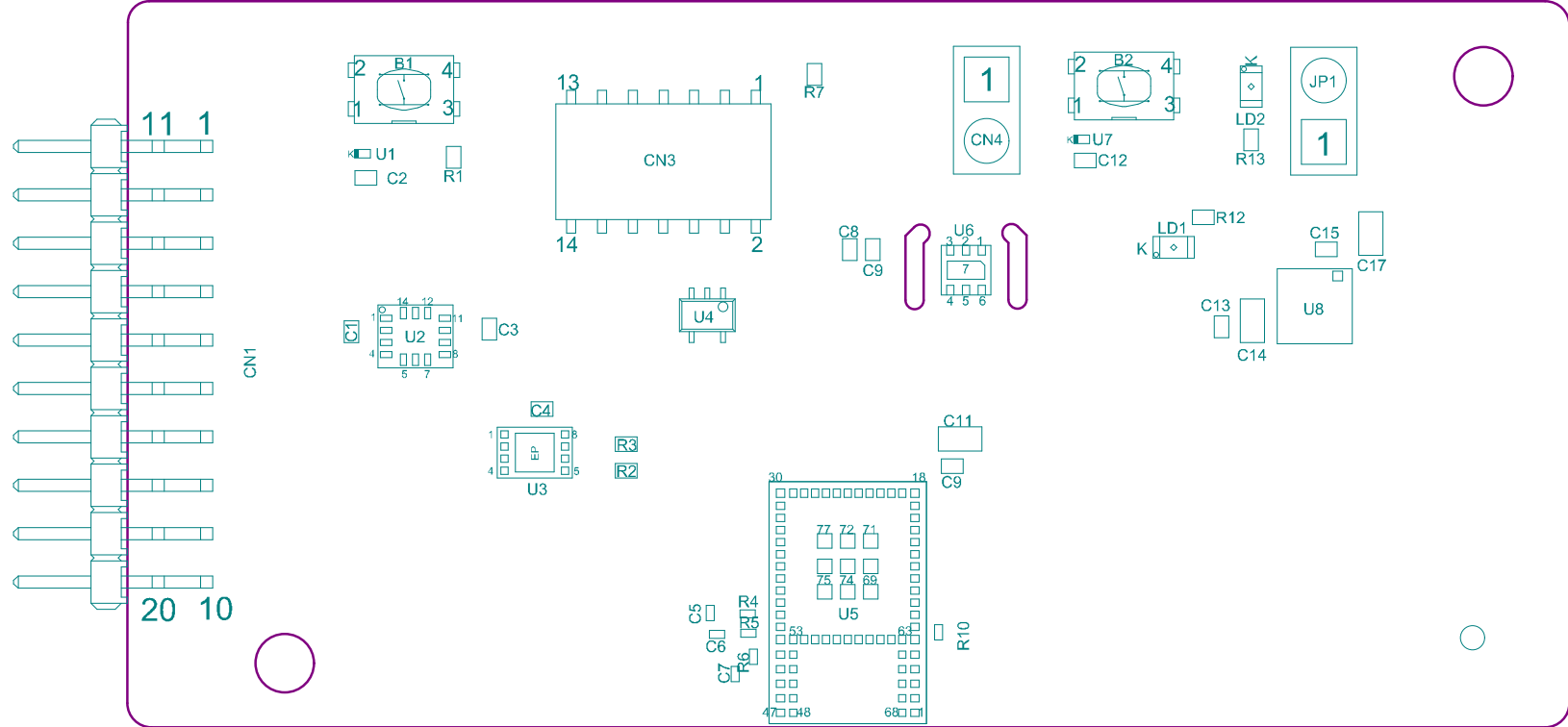
There are 3 ways to provide the 5V voltage supply to the board:
 - With an external E5V (CN4),
 - With STMOD+ (CN1),
 If the board is connected to the STMOD+ connector, then E5V must not supply the board (so remove SB3 also), as the board is already supplied via the STMOD+.

VDD PWR for MCU



Connectors for external supplies





Project: STM32WB1M STMod+ expansion board

Layer: M14-Top Assembly

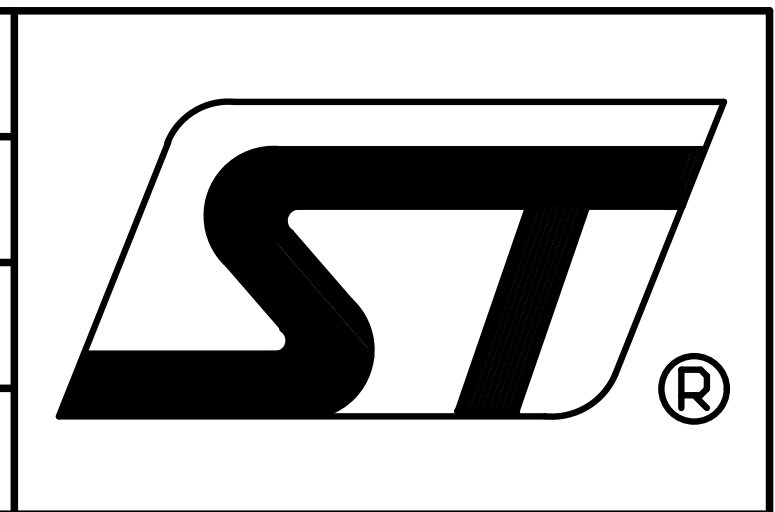
Gerber: .GM14

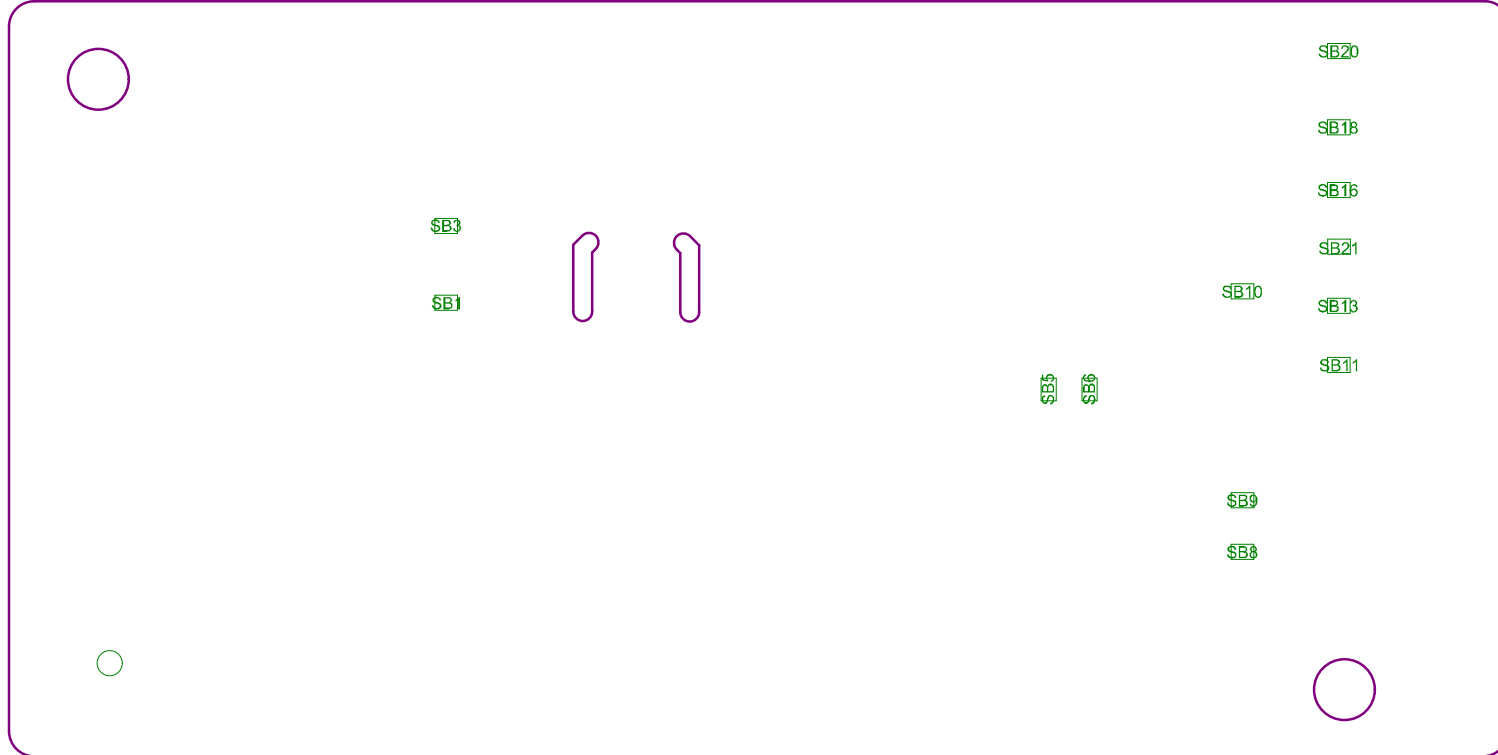
Variant: WB1M

Ref: MB1868

Date: 04-SEP-2024

Rev: E





Project: STM32WB1M STMod+ expansion board

Layer: M15-Bottom Assembly

Gerber: .GM15

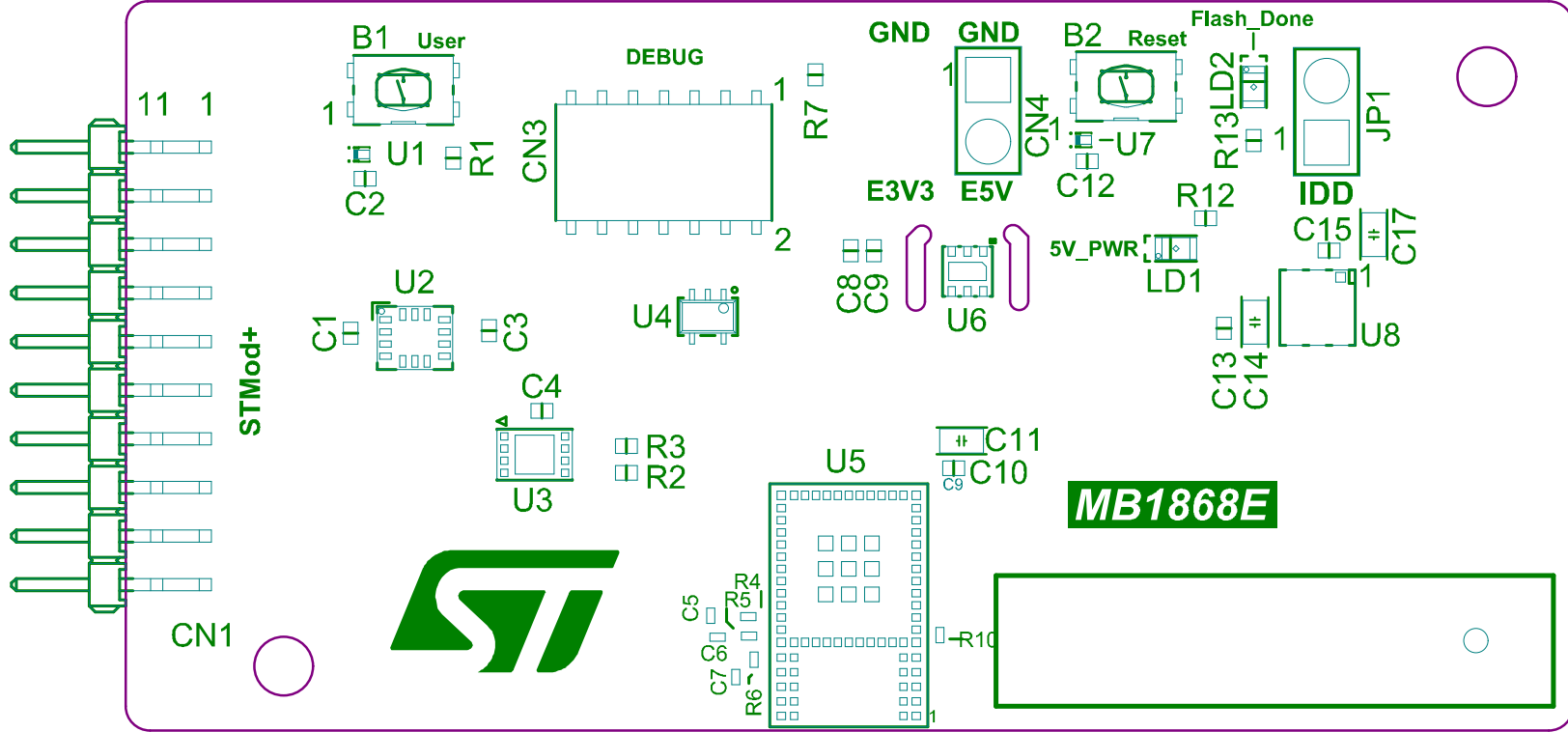
Variant: WB1M

Ref: MB1868

Date: 04-SEP-2024

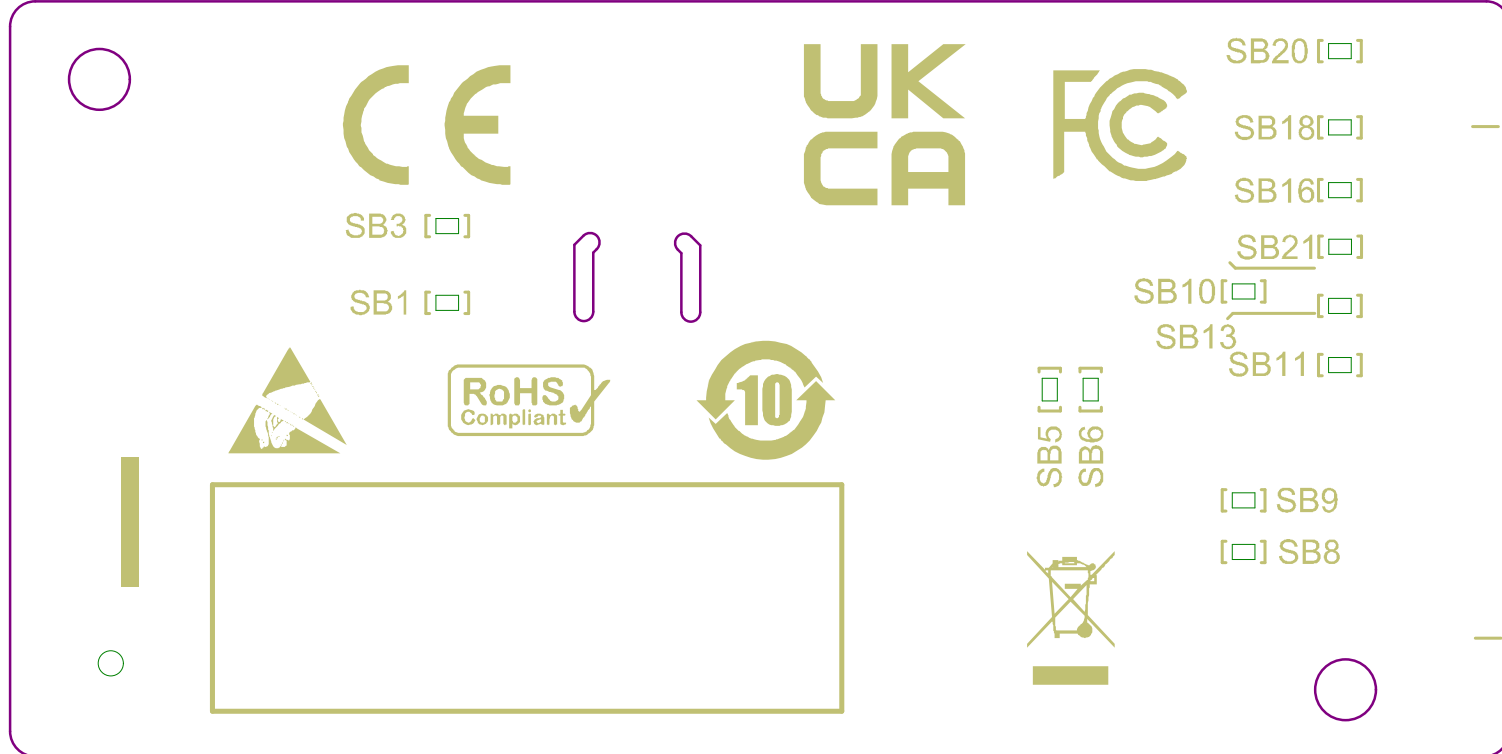
Rev: E





Top Overlay

.GTO



Bottom Overlay

.GBO