

# STMod+ Female/Female board

---

MB1880

---

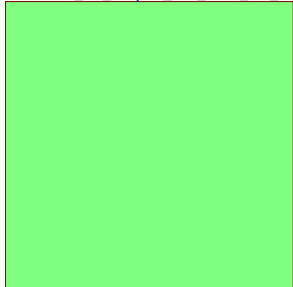
## Table of contents

---

Sheet 1: Project overview (this page)

Sheet 2: STMOD+\_FF\_adapter\_and\_USB\_5V\_connector

STMOD+\_FF\_adapter\_and\_USB\_5V\_connector  
STMOD+\_FF\_adapter\_and\_USB\_5V\_connector.SchDoc



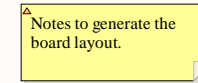
## Legend

---

General comment such as function title, configuration, ...

Text to be added to silkscreen.

Warning text.



## OPEN PLATFORM LICENSE AGREEMENT

---

The Open Platform License Agreement (“Agreement”) is a binding legal contract between you (“You”) and STMicroelectronics International N.V. (“ST”), a company incorporated under the laws of the Netherlands acting for the purpose of this Agreement through its Swiss branch 39, Chemin du Champ des Filles, 1228 Plan-les-Ouates, Geneva, Switzerland.

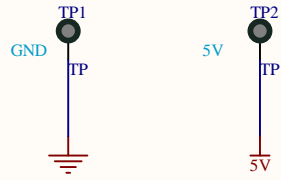
By using the enclosed reference designs, schematics, PC board layouts, and documentation, in hardcopy or CAD tool file format (collectively, the “Reference Material”), You are agreeing to be bound by the terms and conditions of this Agreement. Do not use the Reference Material until You have read and agreed to this Agreement terms and conditions. The use of the Reference Material automatically implies the acceptance of the Agreement terms and conditions.

The complete Open Platform License Agreement can be found on [www.st.com/opla](http://www.st.com/opla).

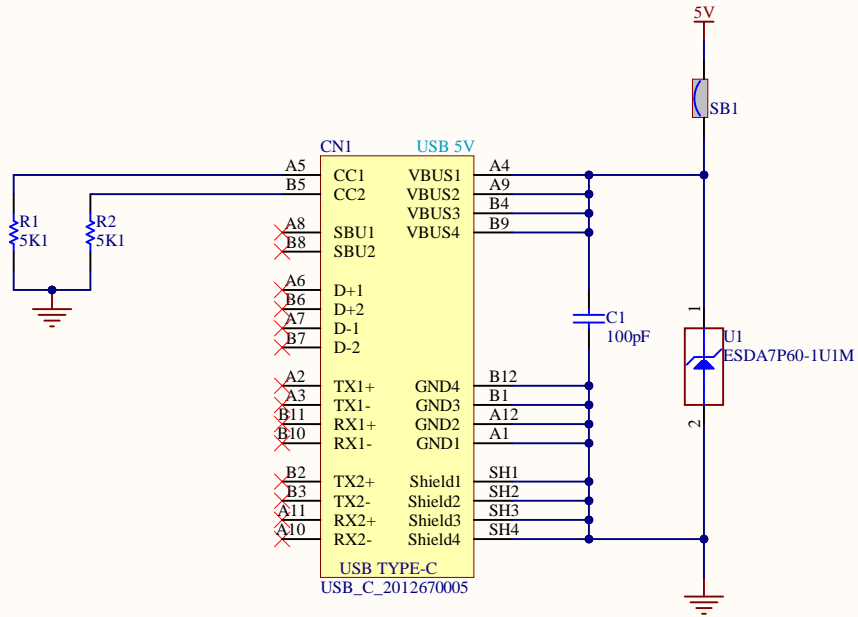
Title: <b>Project overview</b>		
Project: <b>STMod+ Female/Female board</b>		
Variant: <b>uart</b>		
Revision: <b>A-01</b>		Reference: <b>MB1880</b>
Size: <b>A4</b>	Date: <b>16-JULY-2023</b>	Sheet: <b>1</b> of <b>2</b>



Test points

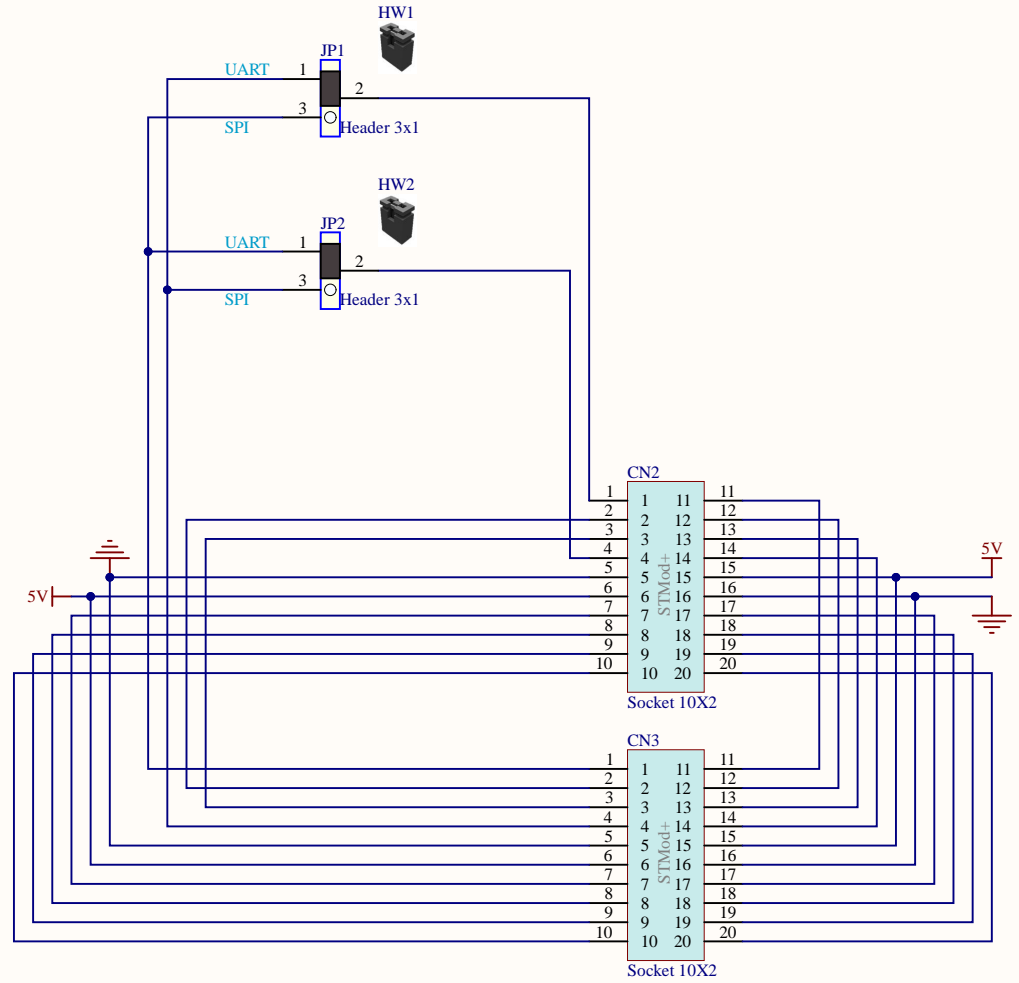


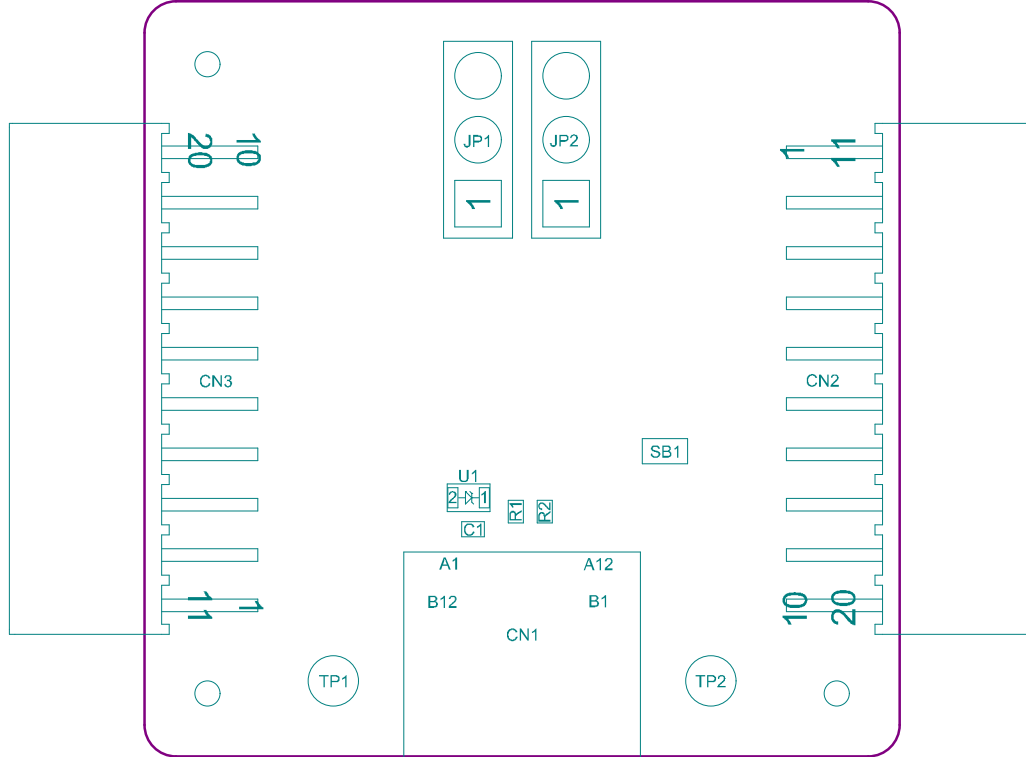
USB type C 5V voltage supply



Capacitor C1 close to pin A4, A9, B4 & B9 of the USB type C 5V connector. SB1 has to be as close as possible to the CN2 and CN3 STMOD+ connectors to avoid stub on the 5V track.

STMOD+ femelle/femelle





Project: STMod+ Female/Female board

Layer: M14-Top Assembly

Gerber: .GM14

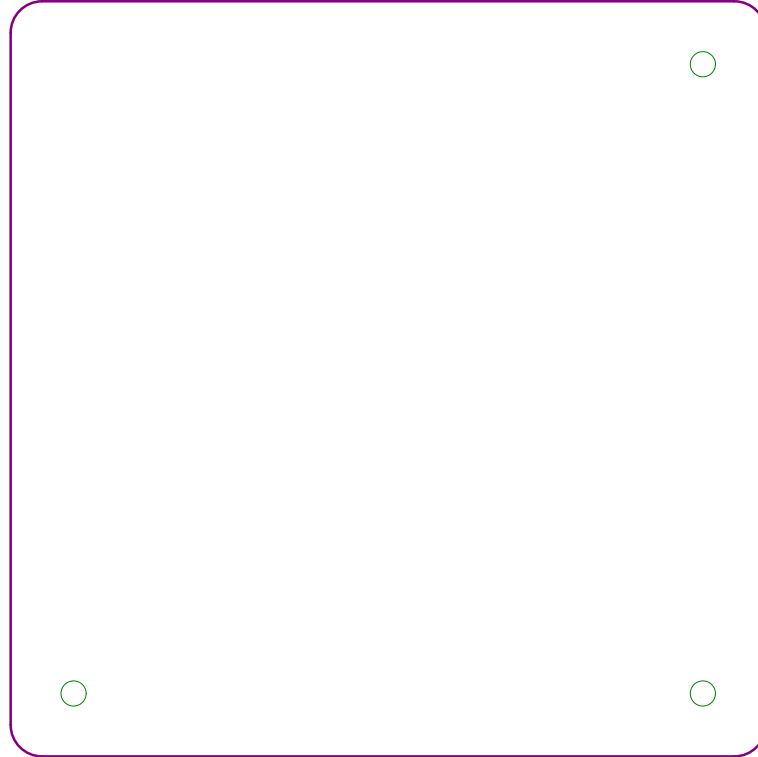
Variant: uart

Ref: MB1880

Date: 16-JULY-2023

Rev: A





Project: STMod+ Female/Female board	
Layer: M15-Bottom Assembly	Gerber:.GM15
Variant: uart	Ref: MB1880
Date: 16-JULY-2023	Rev: A

