

ZeST motor control PCIe adapter board

MB1881

Table of contents

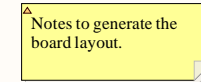
- Sheet 1: Project overview (this page)
- Sheet 2: Top
- Sheet 3: Connectors
- Sheet 4: Configuration
- Sheet 5: Mechanical

Legend

General comment such as function title, configuration, ...

Text to be added to silkscreen.

Warning text.



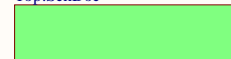
Open Platform License Agreement

The Open Platform License Agreement (“Agreement”) is a binding legal contract between you (“You”) and STMicroelectronics International N.V. (“ST”), a company incorporated under the laws of the Netherlands acting for the purpose of this Agreement through its Swiss branch 39, Chemin du Champ des Filles, 1228 Plan-les-Ouates, Geneva, Switzerland.

By using the enclosed reference designs, schematics, PC board layouts, and documentation, in hardcopy or CAD tool file format (collectively, the “Reference Material”), You are agreeing to be bound by the terms and conditions of this Agreement. Do not use the Reference Material until You have read and agreed to this Agreement terms and conditions. The use of the Reference Material automatically implies the acceptance of the Agreement terms and conditions.

The complete Open Platform License Agreement can be found on www.st.com/opla.

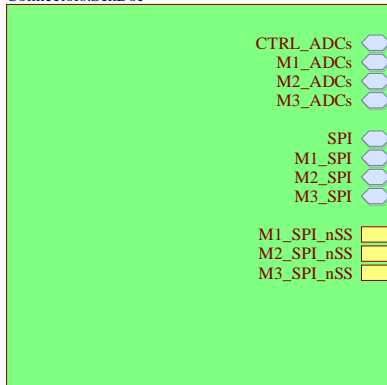
U_Top
Top.SchDoc



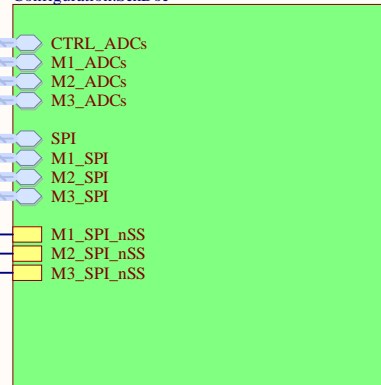
Title: Project overview		
Project: ZeST motor control PCIe adapter board		
Variant: DEFAULT		
Revision: B-01		Reference: MB1881
Size: A4	Date: 11-APR-2022	Sheet: 1 of 5



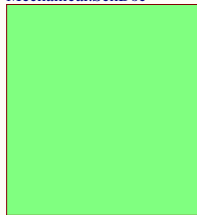
U_Connectors
Connectors.SchDoc



U_Configuration
Configuration.SchDoc



U_Mechanical
Mechanical.SchDoc



Title: Top		
Project: ZeST motor control PCIe adapter board		
Variant: DEFAULT		
Revision: B-01	Reference: MB1881	
Size: A4	Date: 11-APR-2022	Sheet: 2 of 5

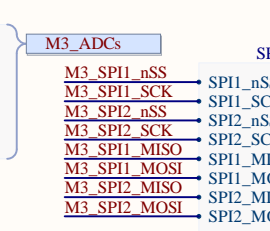
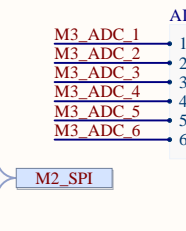
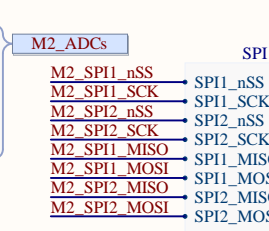
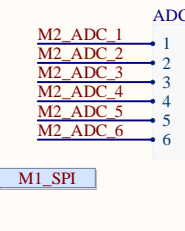
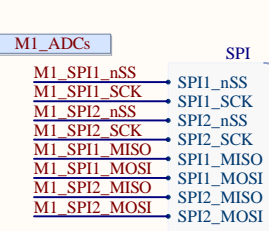
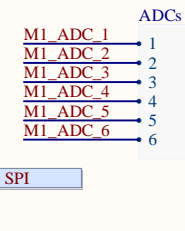
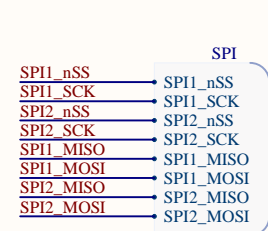
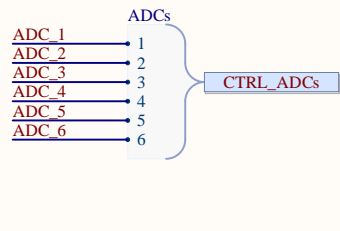
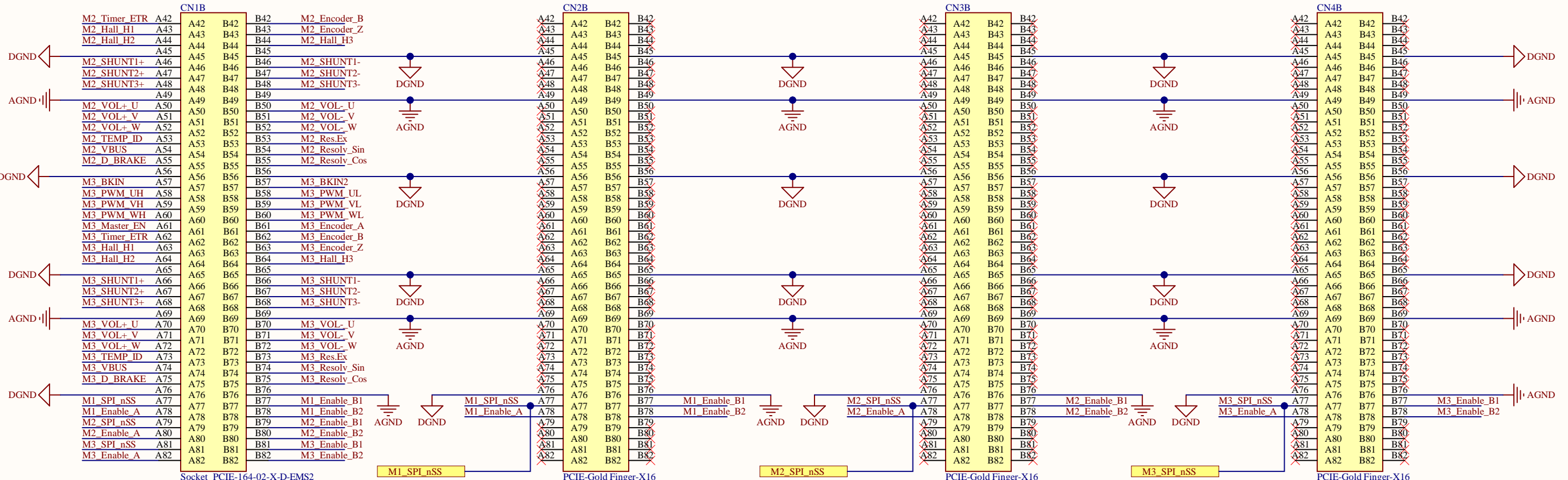
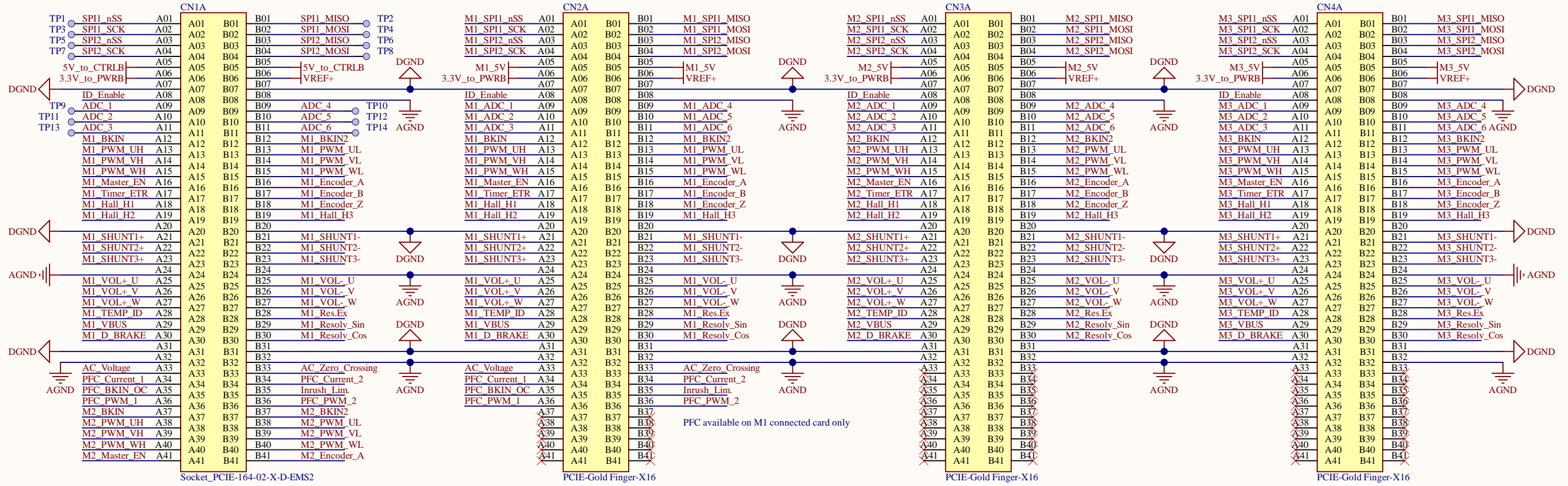


Control connector

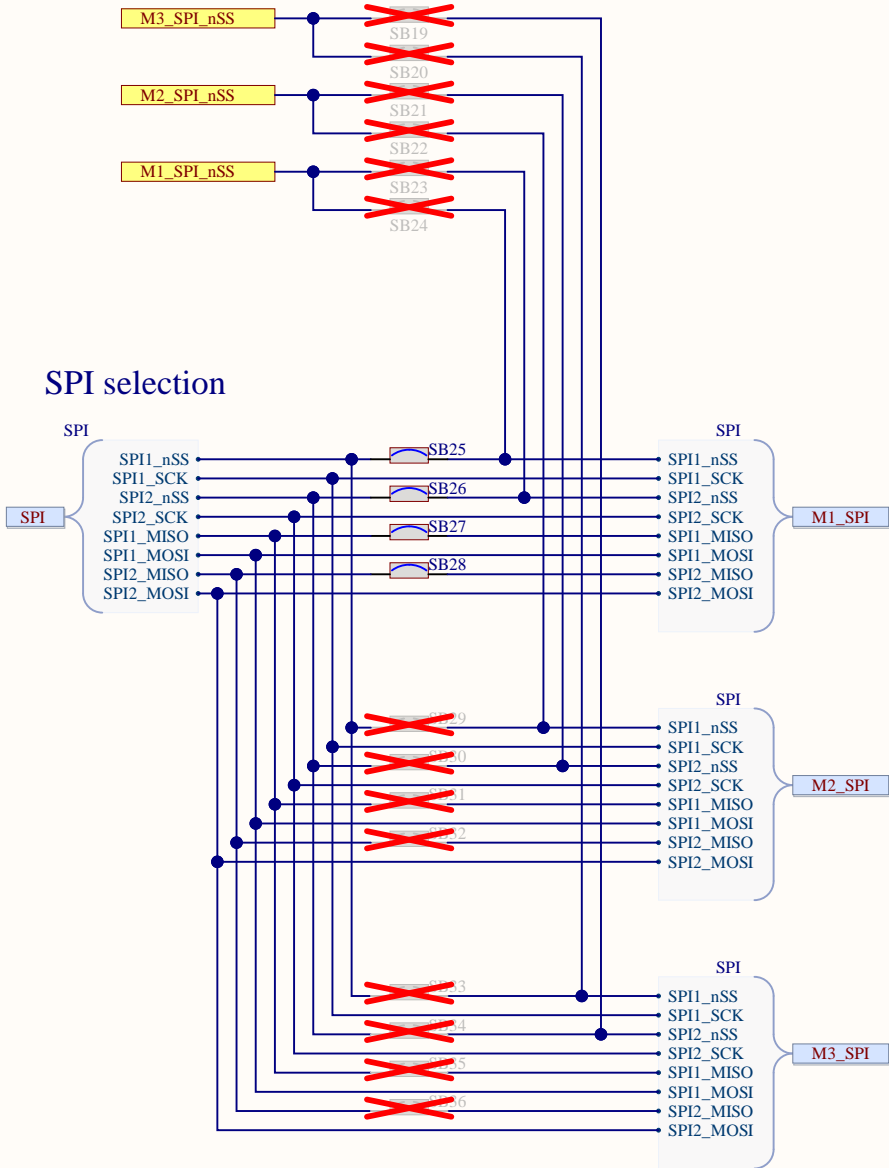
M1 connector

M2 connector

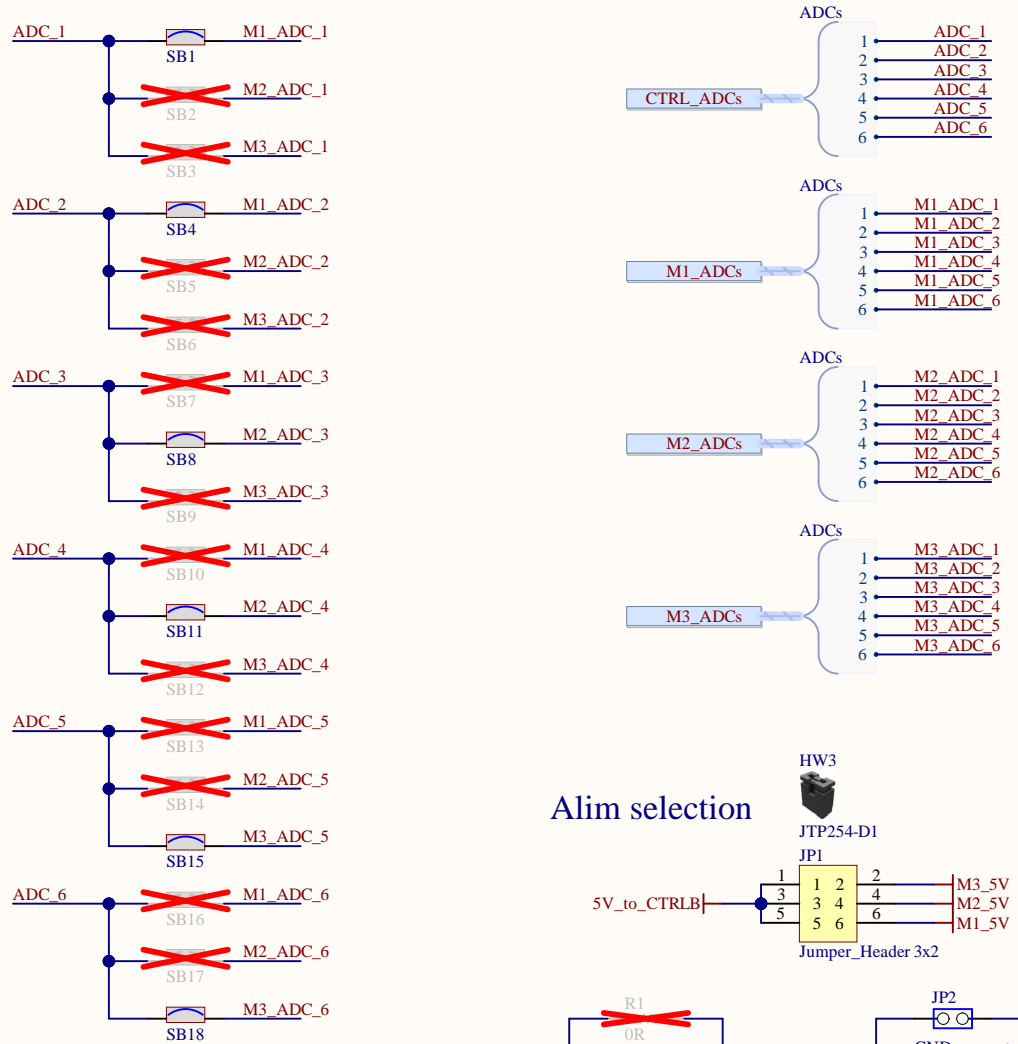
M3 connector



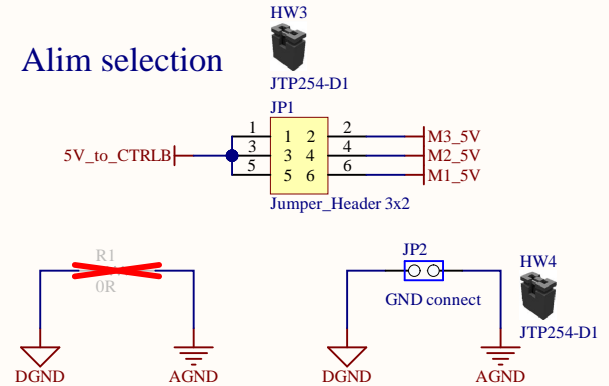
SPI selection



ADC selection



Alim selection





H1

HW1

STICKER PRODUCT

Sticker product



H2

HW2

STICKER BOARD

Sticker board



H3



H4



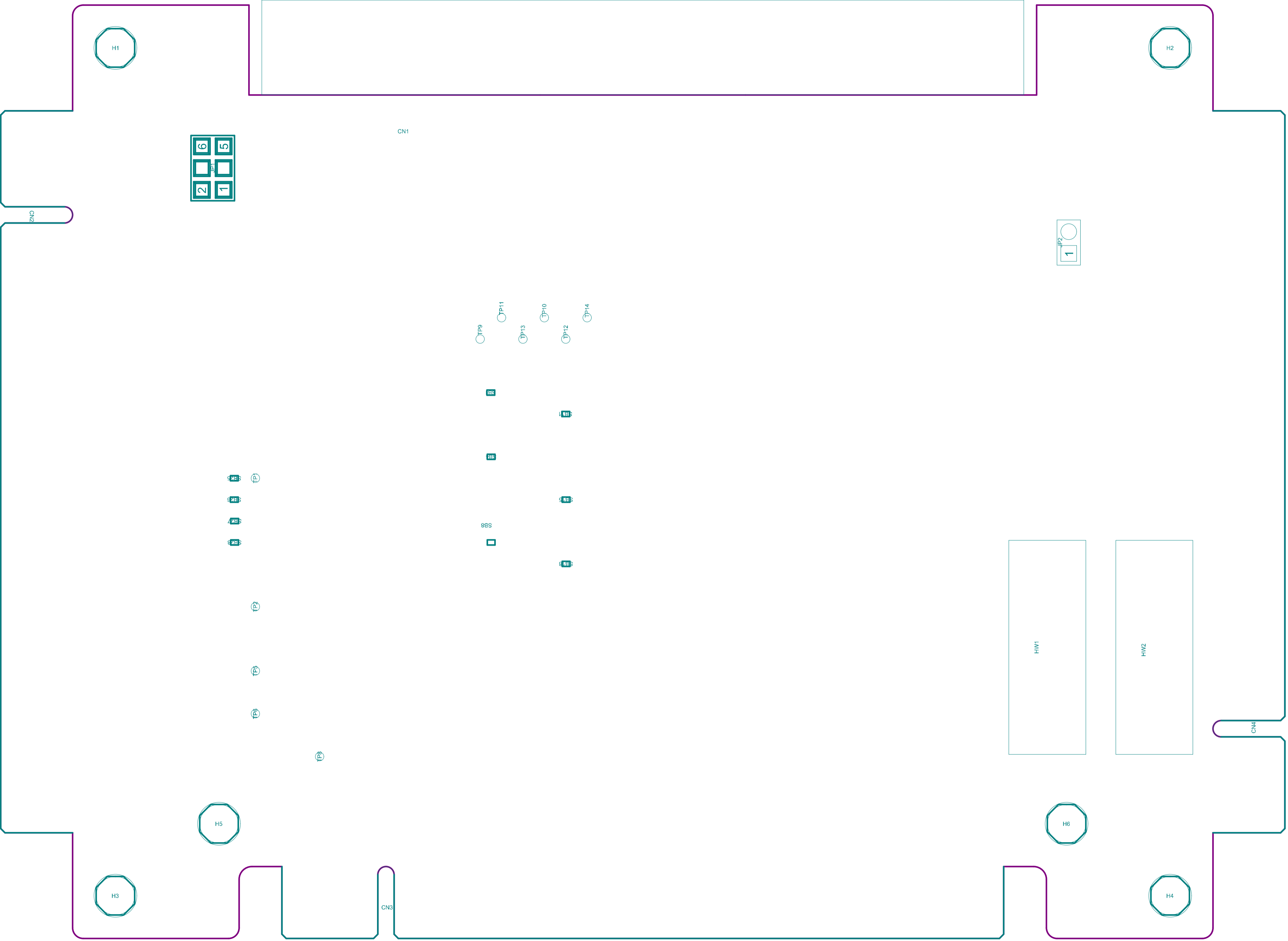
H5



H6

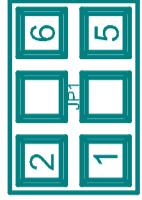
Title: Mechanical		
Project: ZeST motor control PCIe adapter board		
Variant: DEFAULT		
Revision: B-01		Reference: MB1881
Size: A4	Date: 11-APR-2022	Sheet: 5 of 5



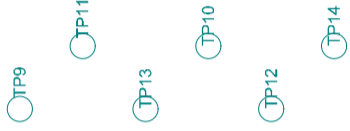


H1

H2



CN1



S1

S2

S3

S4

SBB

S5



P1

P2

P3

P4

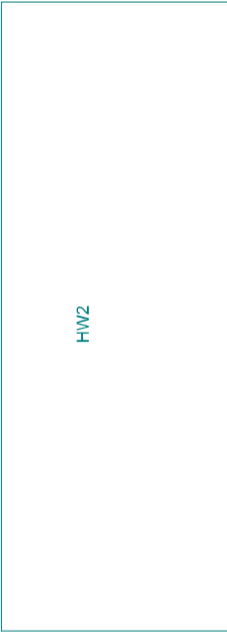
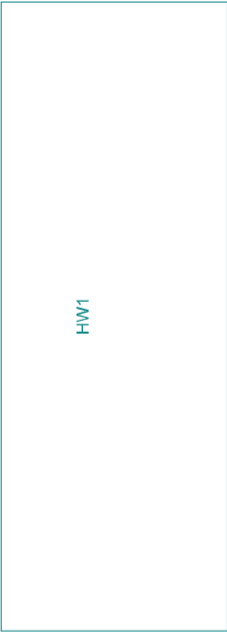
P5

P6

P7

P8

H5



HW1

HW2

H6

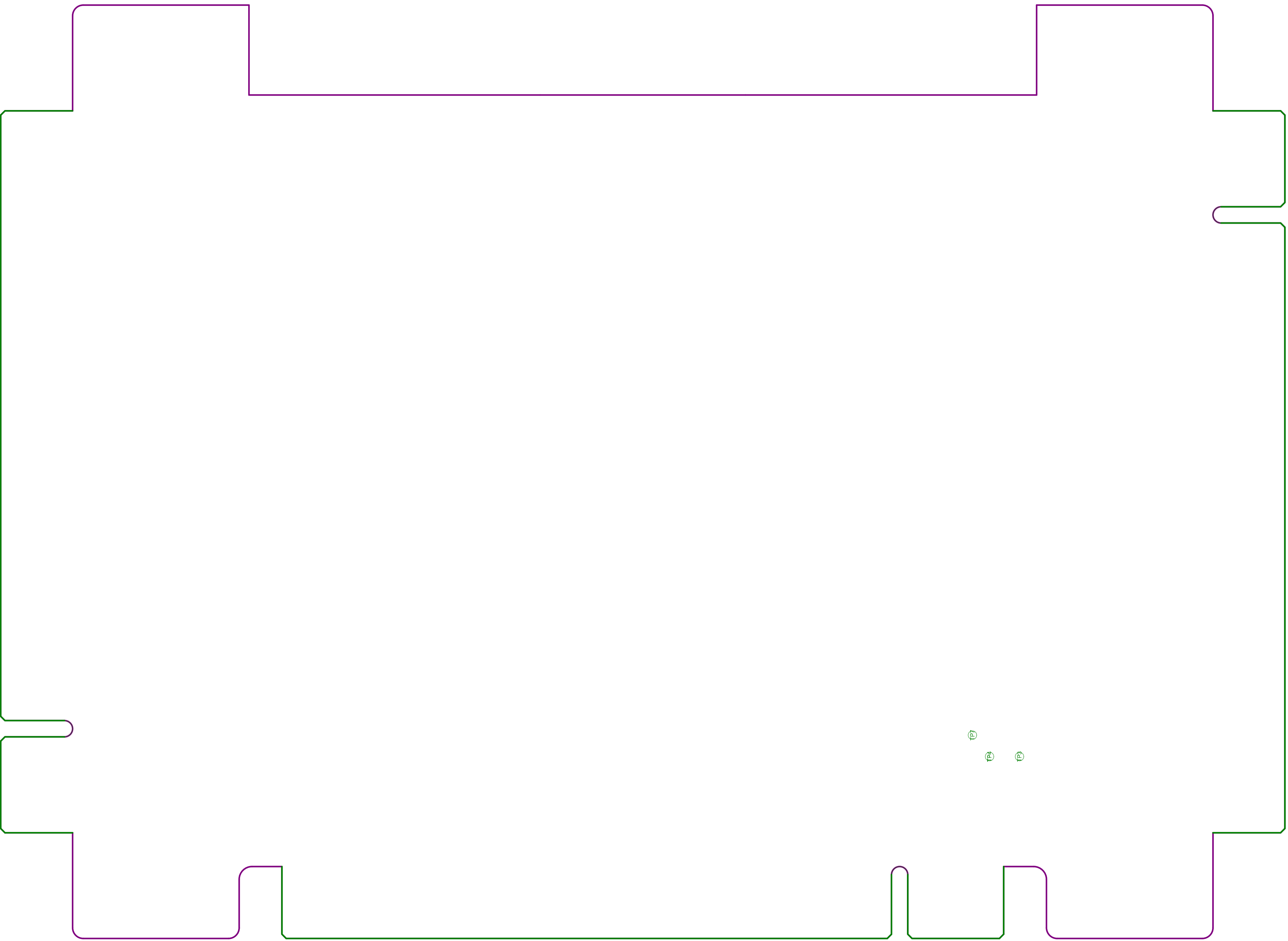
H3

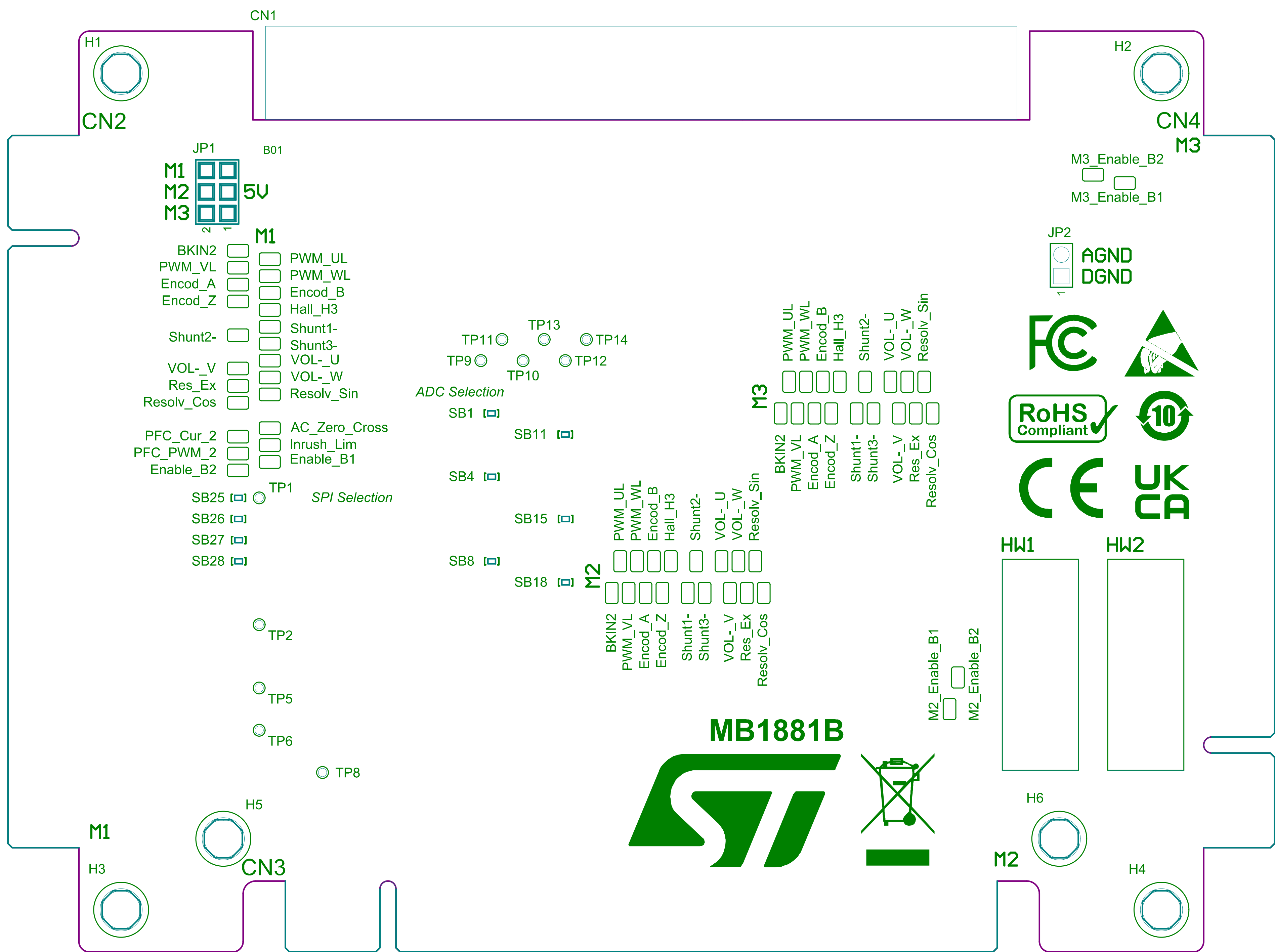
H4

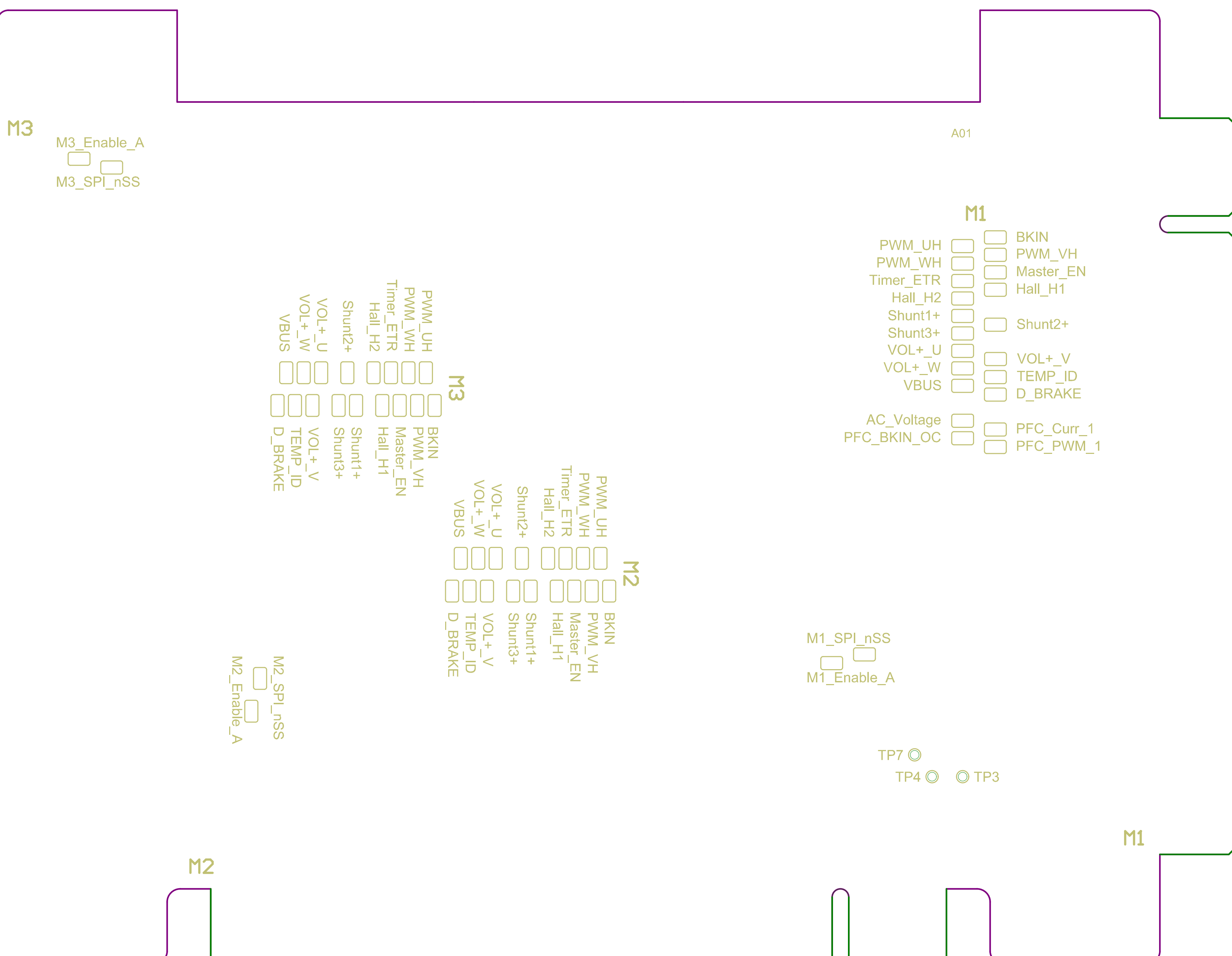
CN3

CN4

ZNO







A01

M3

M3_Enable_A
M3_SPI_nSS

M1

PWM_UH	<input type="checkbox"/>	BKIN	<input type="checkbox"/>
PWM_WH	<input type="checkbox"/>	PWM_VH	<input type="checkbox"/>
Timer_ETR	<input type="checkbox"/>	Master_EN	<input type="checkbox"/>
Hall_H2	<input type="checkbox"/>	Hall_H1	<input type="checkbox"/>
Shunt1+	<input type="checkbox"/>	Shunt2+	<input type="checkbox"/>
Shunt3+	<input type="checkbox"/>		
VOL+_U	<input type="checkbox"/>	VOL+_V	<input type="checkbox"/>
VOL+_W	<input type="checkbox"/>	TEMP_ID	<input type="checkbox"/>
VBUS	<input type="checkbox"/>	D_BRAKE	<input type="checkbox"/>
AC_Voltage	<input type="checkbox"/>	PFC_Curr_1	<input type="checkbox"/>
PFC_BKIN_OC	<input type="checkbox"/>	PFC_PWM_1	<input type="checkbox"/>

M1_SPI_nSS
M1_Enable_A

TP7
TP4 TP3

M1

M3

PWM_UH	<input type="checkbox"/>	BKIN	<input type="checkbox"/>
PWM_WH	<input type="checkbox"/>	PWM_VH	<input type="checkbox"/>
Timer_ETR	<input type="checkbox"/>	Master_EN	<input type="checkbox"/>
Hall_H2	<input type="checkbox"/>	Hall_H1	<input type="checkbox"/>
Shunt2+	<input type="checkbox"/>	Shunt1+	<input type="checkbox"/>
Shunt3+	<input type="checkbox"/>		
VOL+_U	<input type="checkbox"/>	VOL+_V	<input type="checkbox"/>
VOL+_W	<input type="checkbox"/>	TEMP_ID	<input type="checkbox"/>
VBUS	<input type="checkbox"/>	D_BRAKE	<input type="checkbox"/>

M2

PWM_UH	<input type="checkbox"/>	BKIN	<input type="checkbox"/>
PWM_WH	<input type="checkbox"/>	PWM_VH	<input type="checkbox"/>
Timer_ETR	<input type="checkbox"/>	Master_EN	<input type="checkbox"/>
Hall_H2	<input type="checkbox"/>	Hall_H1	<input type="checkbox"/>
Shunt2+	<input type="checkbox"/>	Shunt1+	<input type="checkbox"/>
Shunt3+	<input type="checkbox"/>		
VOL+_U	<input type="checkbox"/>	VOL+_V	<input type="checkbox"/>
VOL+_W	<input type="checkbox"/>	TEMP_ID	<input type="checkbox"/>
VBUS	<input type="checkbox"/>	D_BRAKE	<input type="checkbox"/>

M2_SPI_nSS
M2_Enable_A

M2