

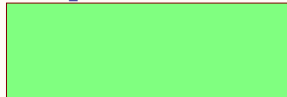
NUCLEO-U083RC

MB1932

Table of contents

- Sheet 1: Project overview (this page)
- Sheet 2: MB1932_Top
- Sheet 3: STM32_microcontroller_IOs
- Sheet 4: Arduino Morpho connectors
- Sheet 5: Power
- Sheet 6: STLINK_V2EC
- Sheet 7: HW_Mechanical_Parts

U_MB1932_TOP
MB1932_TOP.SchDoc

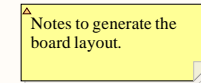


Legend

General comment such as function title, configuration, ...

Text to be added to silkscreen.

Warning text.



OPEN PLATFORM LICENSE AGREEMENT

The Open Platform License Agreement (“Agreement”) is a binding legal contract between you (“You”) and STMicroelectronics International N.V. (“ST”), a company incorporated under the laws of the Netherlands acting for the purpose of this Agreement through its Swiss branch 39, Chemin du Champ des Filles, 1228 Plan-les-Ouates, Geneva, Switzerland.

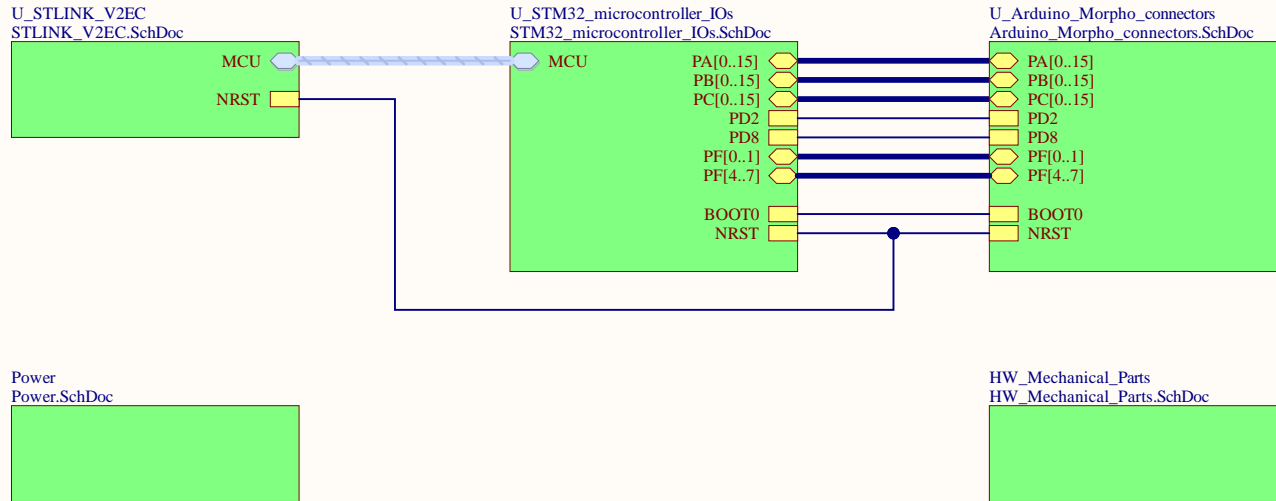
By using the enclosed reference designs, schematics, PC board layouts, and documentation, in hardcopy or CAD tool file format (collectively, the “Reference Material”), You are agreeing to be bound by the terms and conditions of this Agreement. Do not use the Reference Material until You have read and agreed to this Agreement terms and conditions. The use of the Reference Material automatically implies the acceptance of the Agreement terms and conditions.

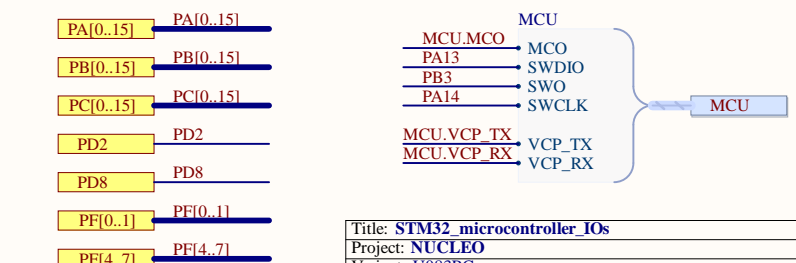
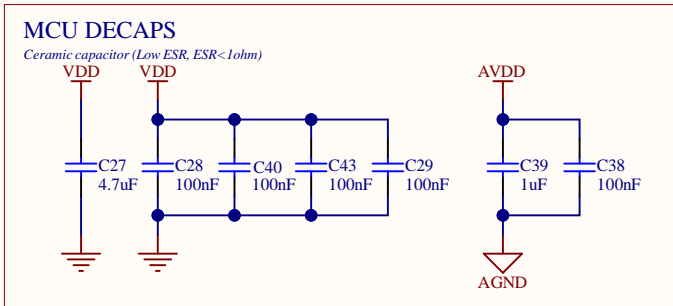
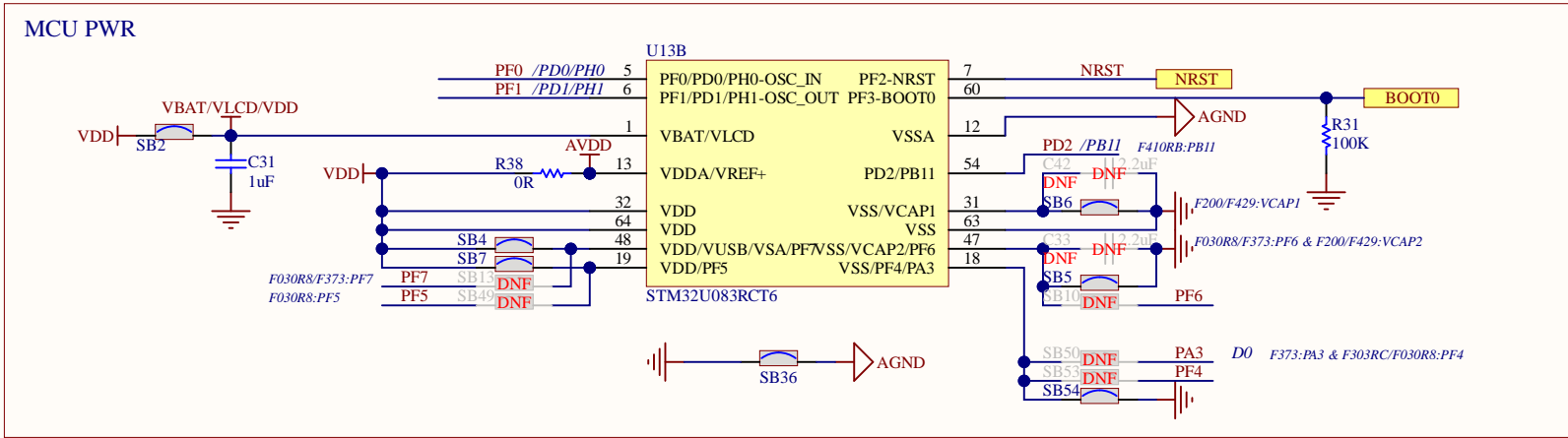
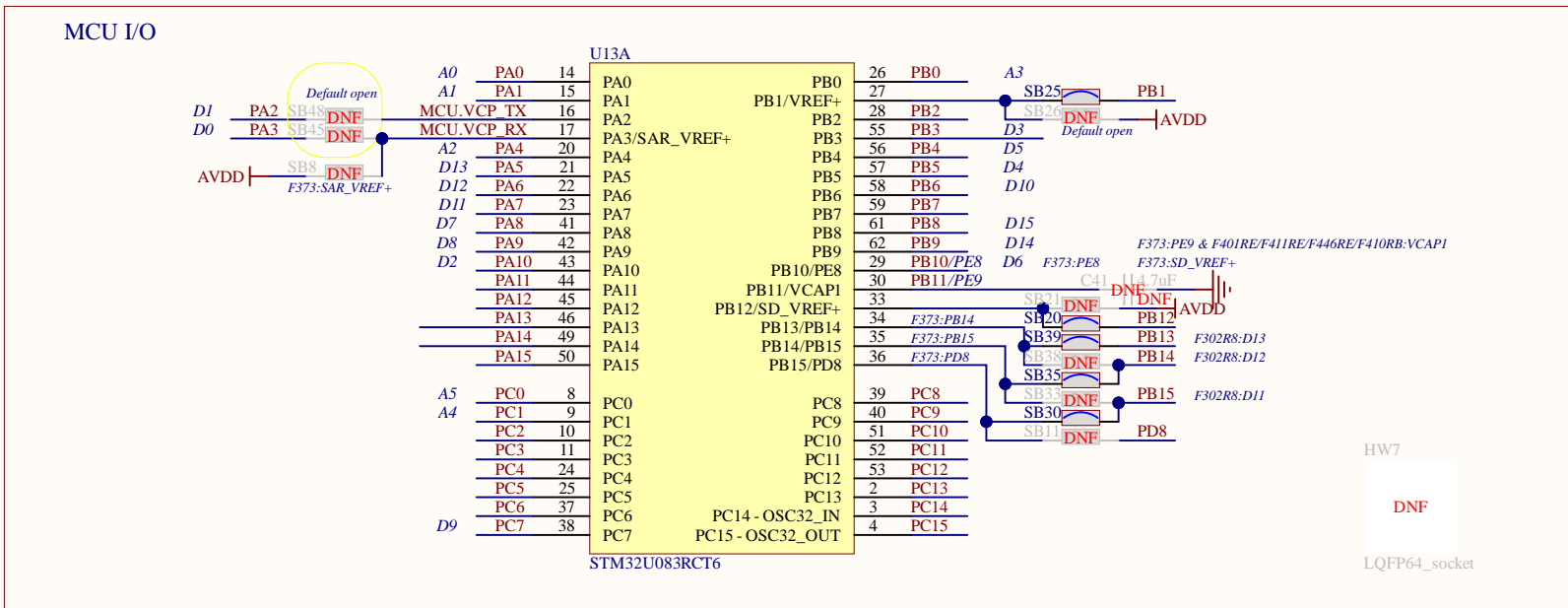
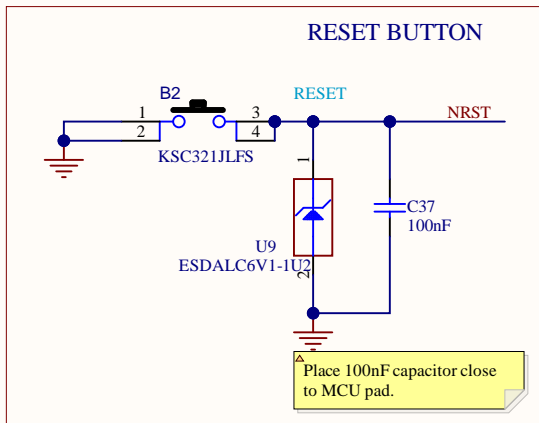
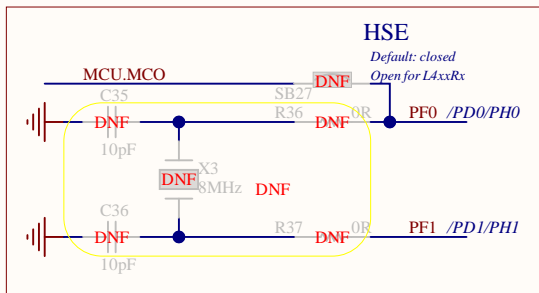
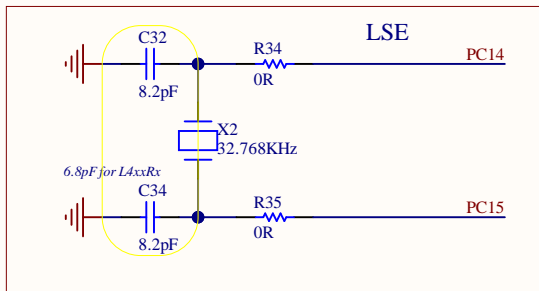
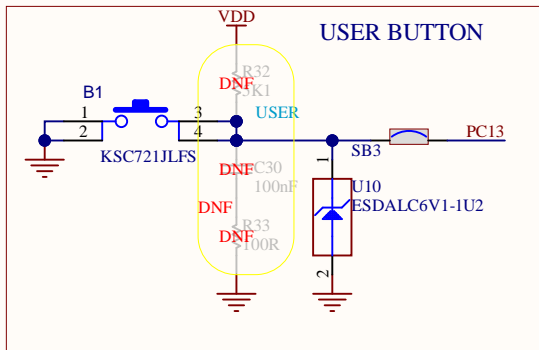
The complete Open Platform License Agreement can be found on www.st.com/opla.

Title: Project overview		
Project: NUCLEO		
Variant: U083RC		
Revision: B-01		Reference: MB1932
Size: A4	Date: 26-ARP-2023	Sheet: 1 of 7

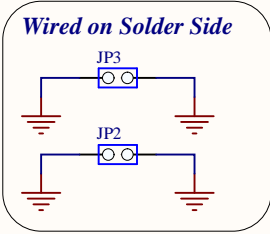
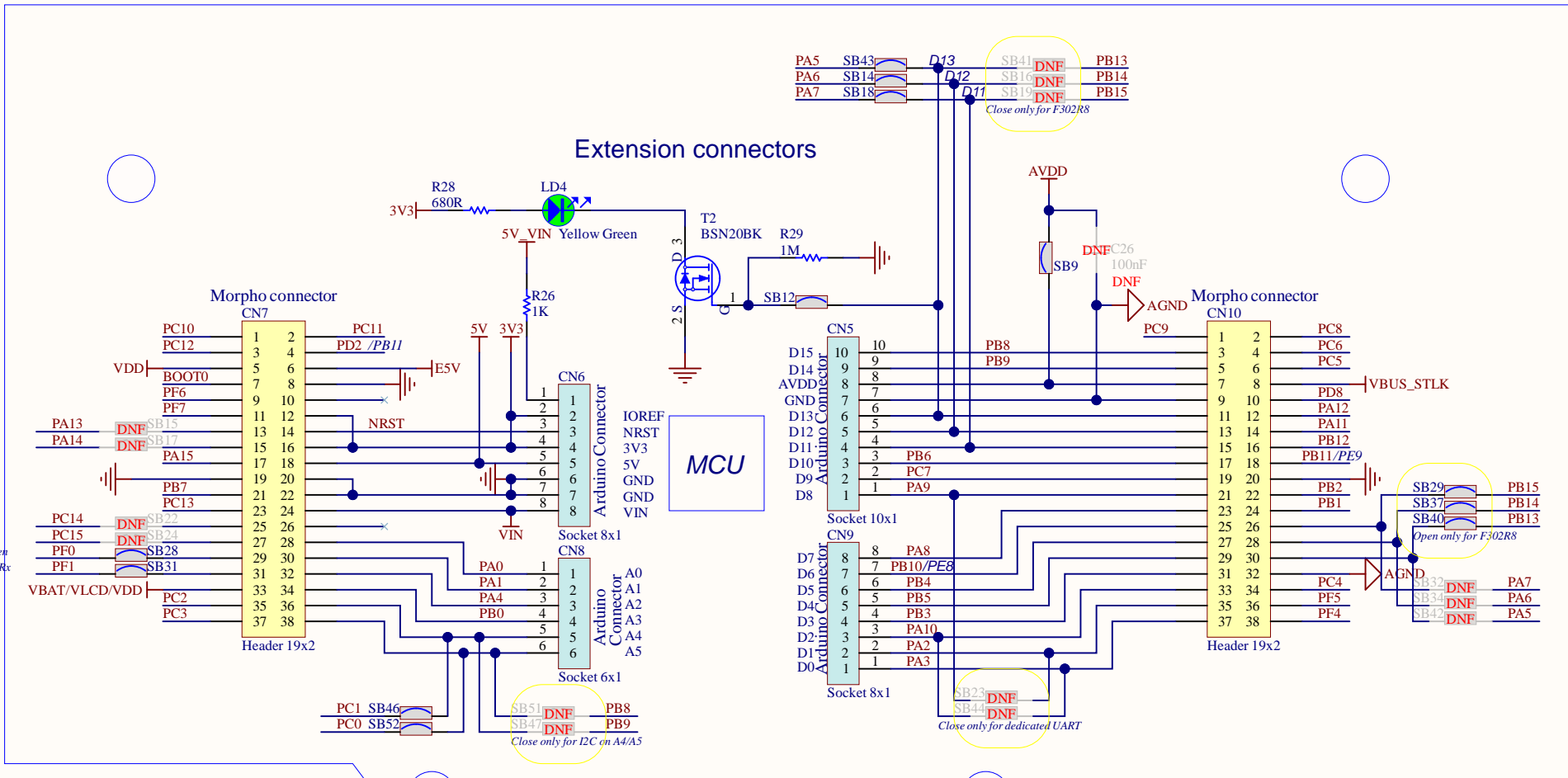


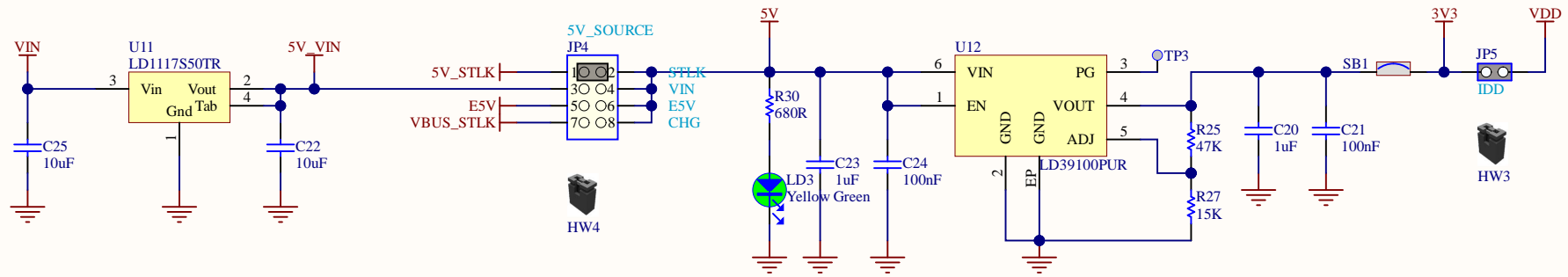
file.augmented



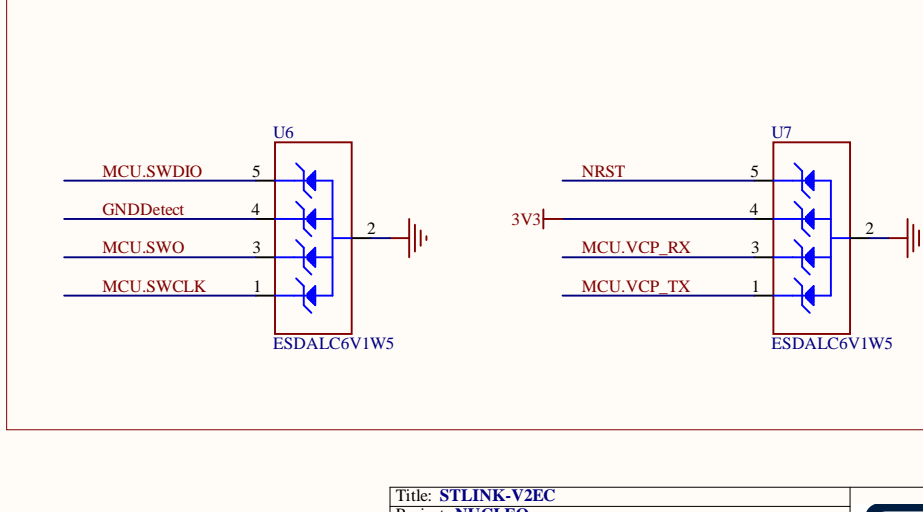
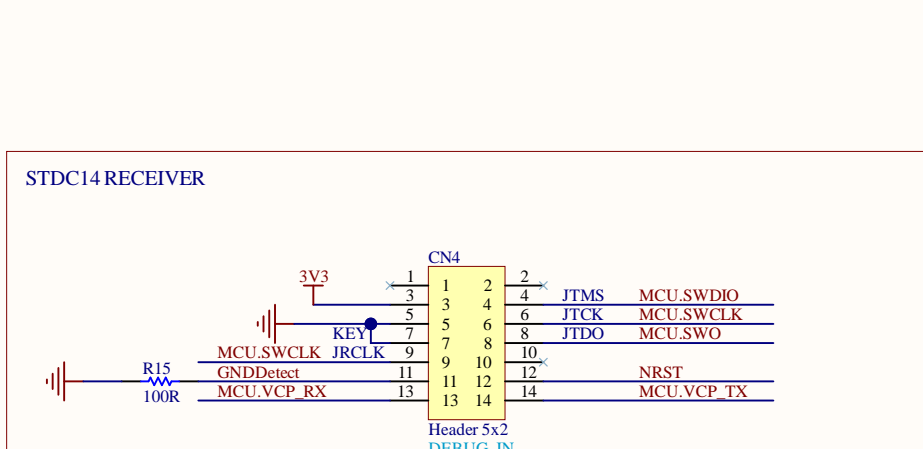
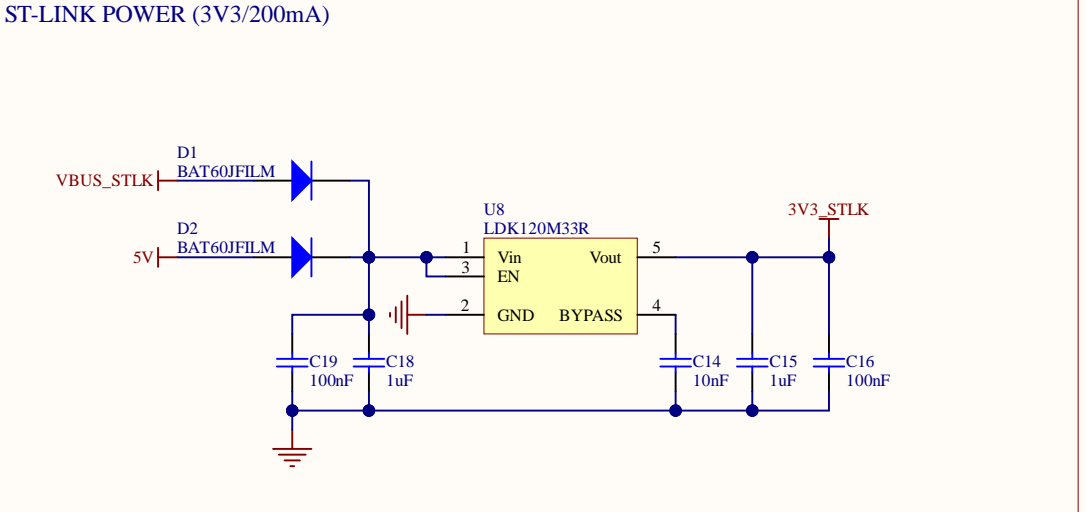
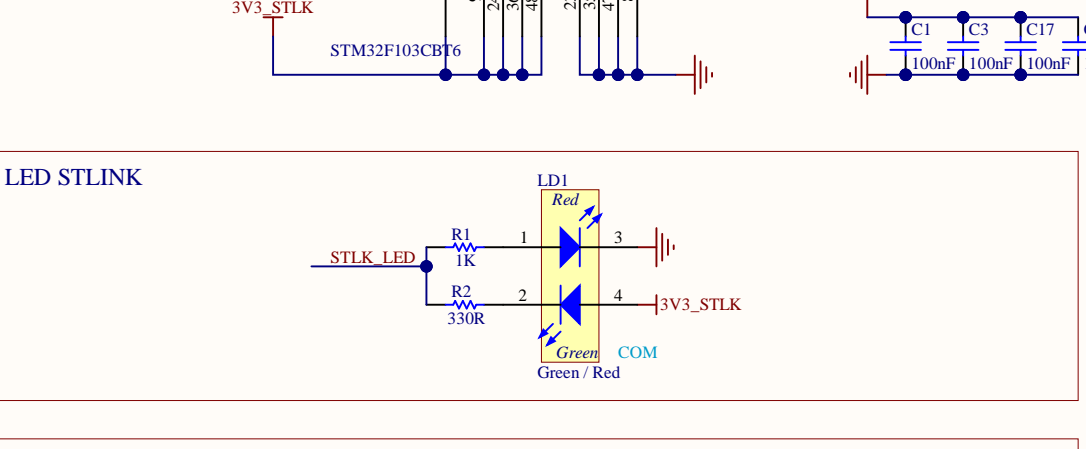
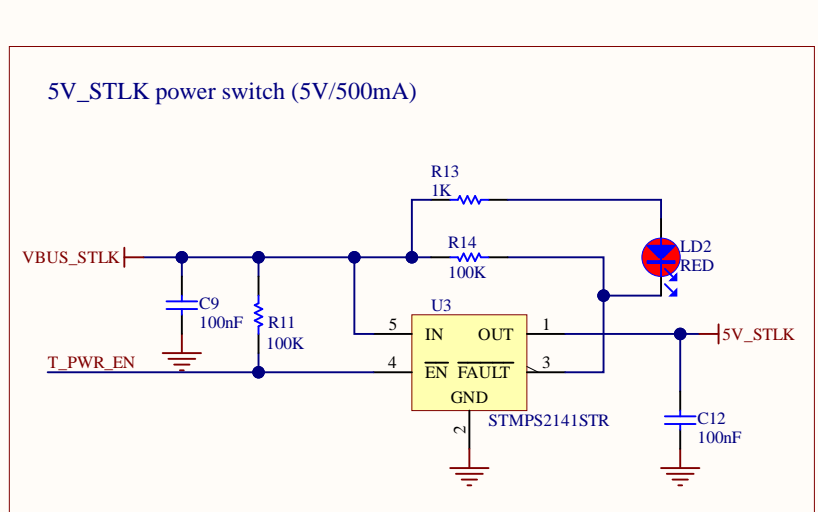
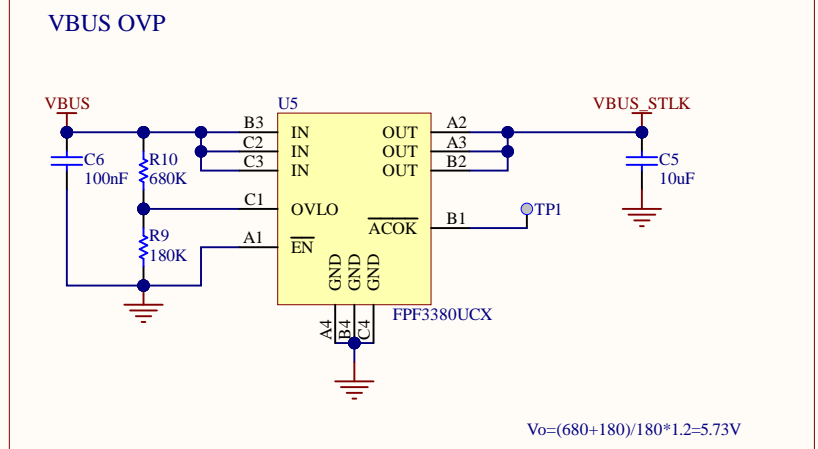
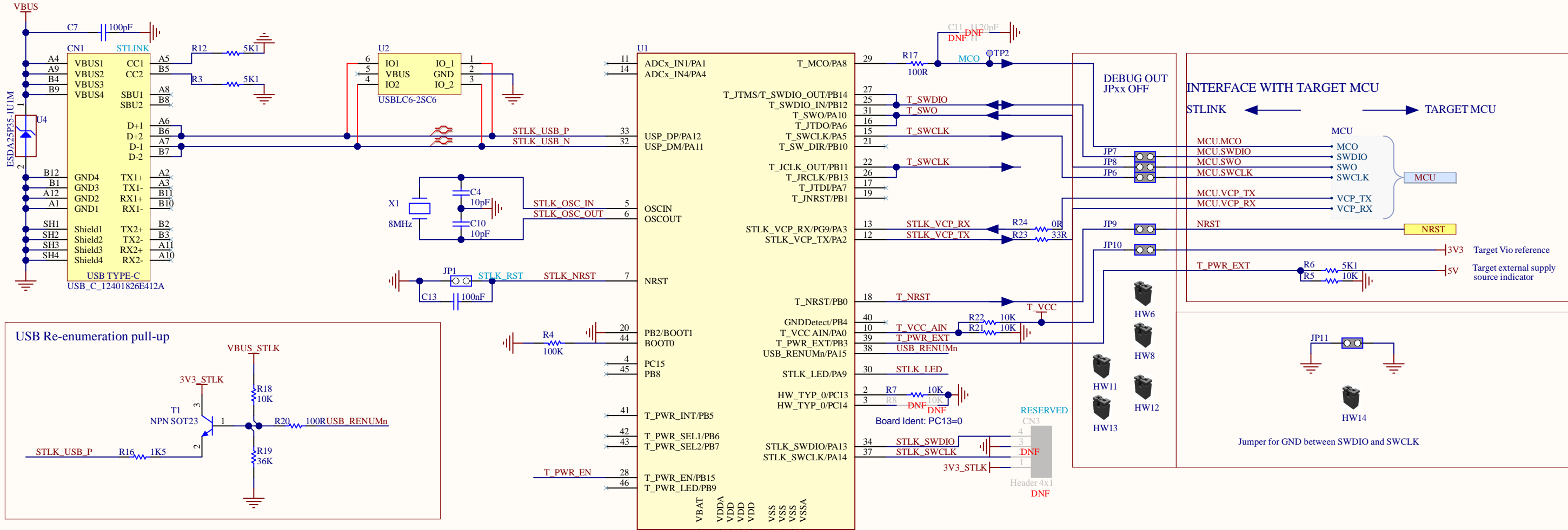


- PA[0..15] PAI[0..15]
- PB[0..15] PBI[0..15]
- PC[0..15] PCI[0..15]
- PD2 PD2
- PD8 PD8
- PF[0..1] PFI[0..1]
- PF[4..7] PFI[4..7]
- NRST NRST
- BOOT0 BOOT0





STLINK-V2EC



HW Mechanical parts

HW2

Sticker board

STICKER BOARD

HW1

STICKER PRODUCT

Sticker product

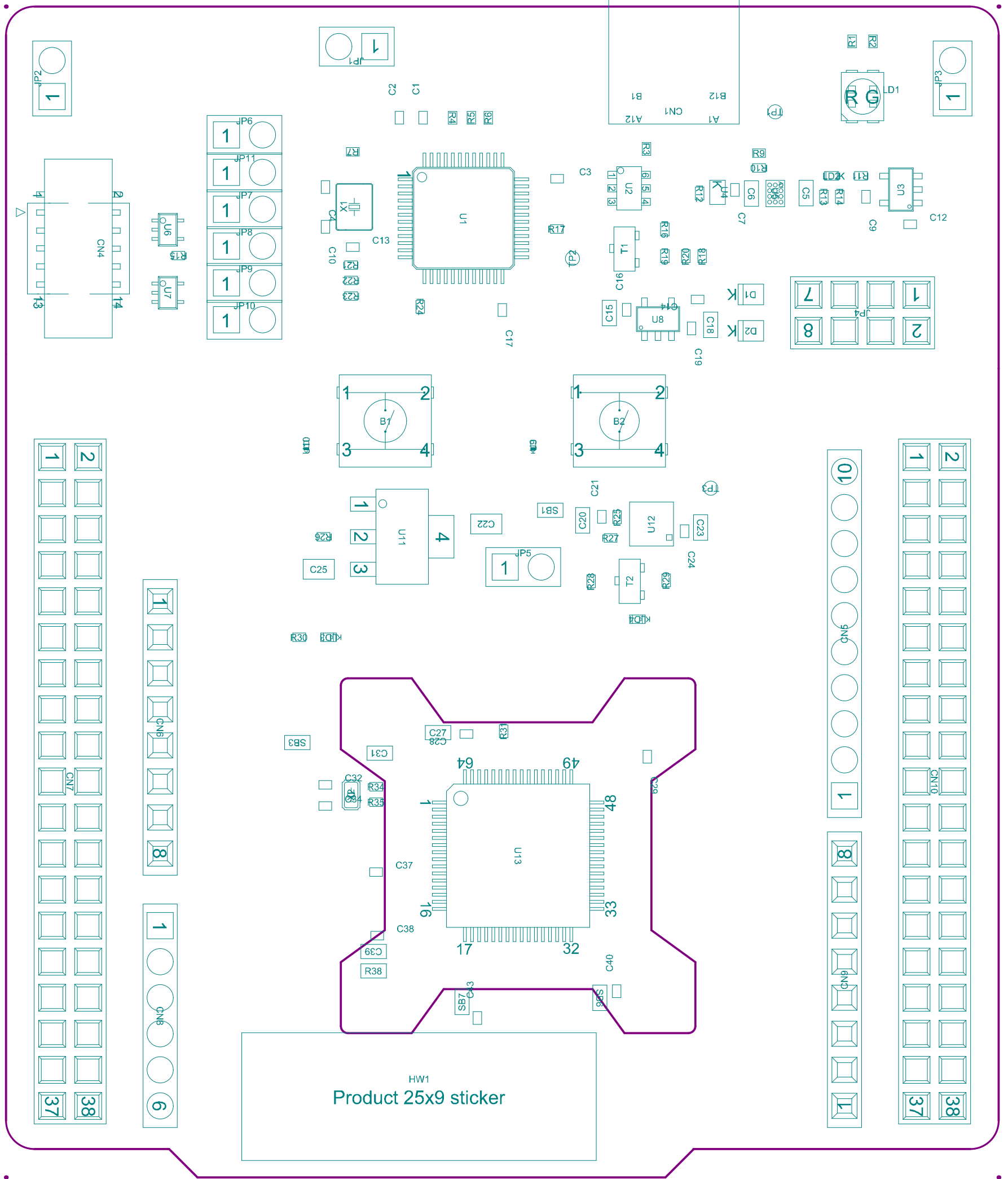
HW5

PCB

MB1932

Title: HW Mechanical parts		
Project: NUCLEO		
Variant: U083RC		
Revision: B-01		Reference: MB1932
Size: A4	Date: 26-ARP-2023	Sheet: 7 of 7





Project: NUCLEO

Layer:

Variant: U083RC

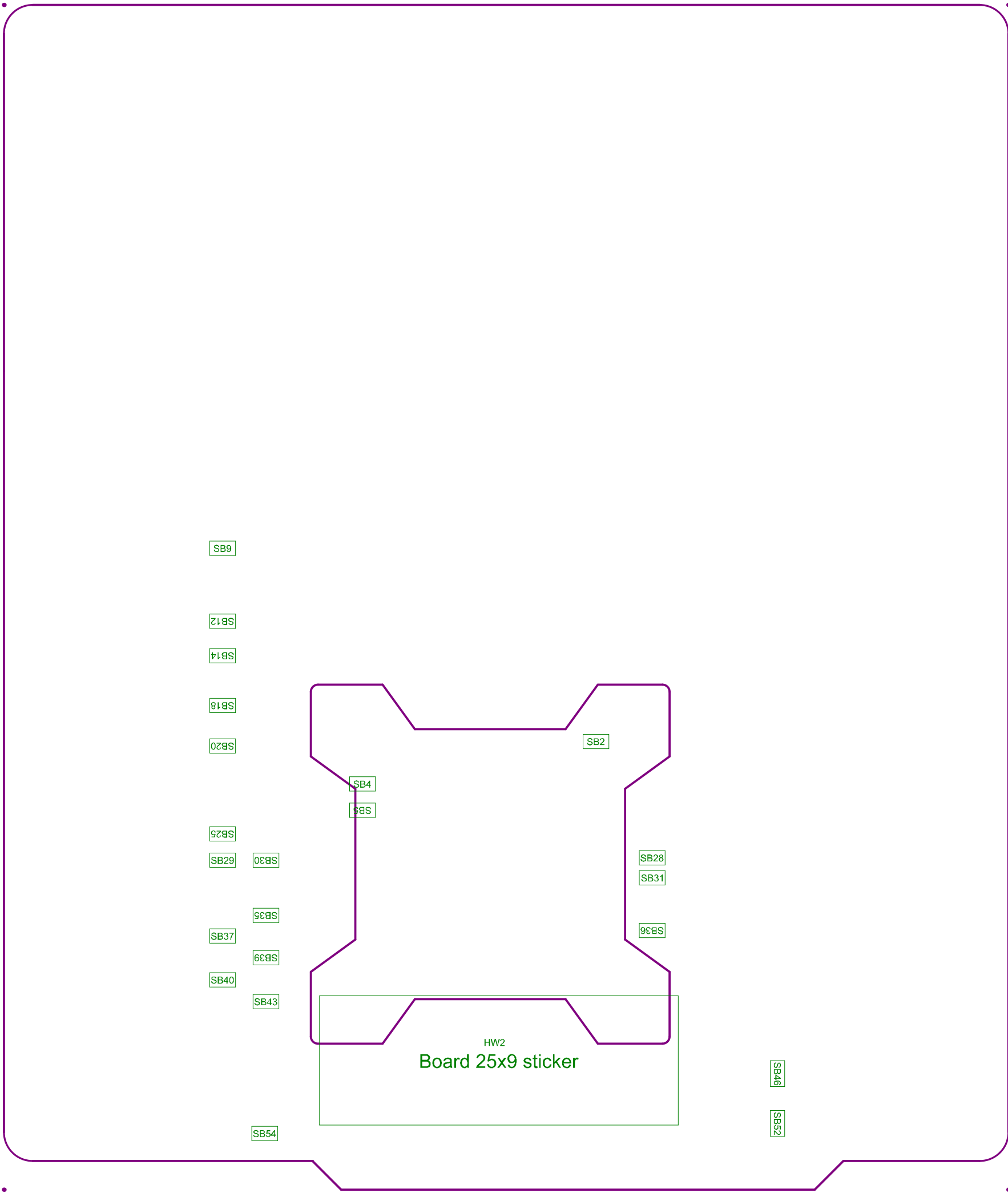
Date: 26-ARP-2023

Gerber:

Ref: MB1932

Rev: B



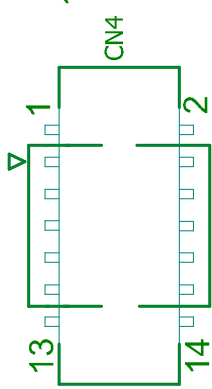
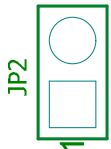


Project: NUCLEO	
Layer:	Gerber:
Variant: U083RC	Ref: MB1932
Date: 26-ARP-2023	Rev: B





JP1
STLK_RST
RESERVED



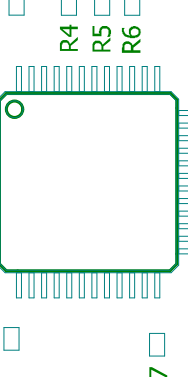
DEBUG_IN



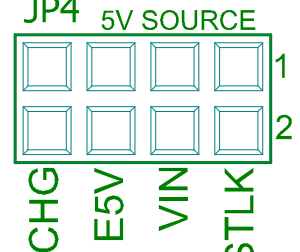
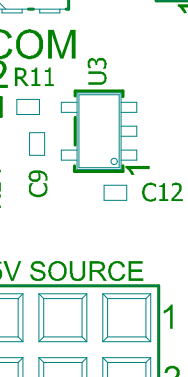
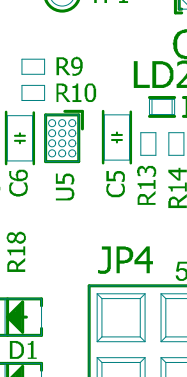
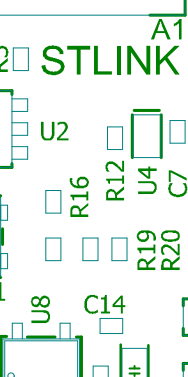
- JP6
- JP11
- JP7
- JP8
- JP9
- JP10

- C1
- C2
- C3
- C4
- C10
- C13
- C17
- C20
- C21
- C22
- C23
- C25
- C27
- C28
- C31
- C32
- C34
- C37
- C38
- C39
- C40
- C43
- C44

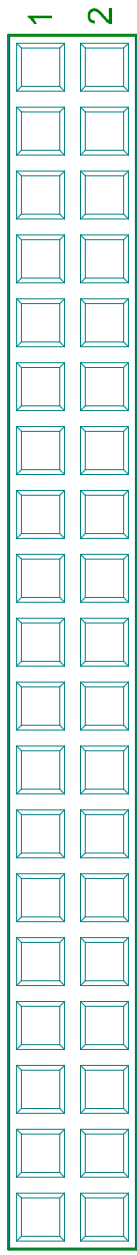
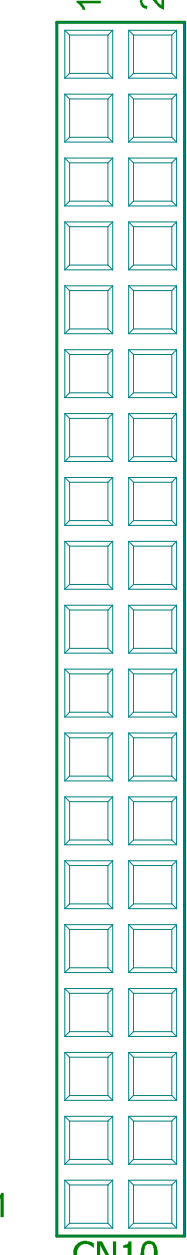
- R4
- R5
- R6
- R7
- R17
- R21
- R22
- R23
- R24
- R26
- R27
- R28
- R31
- R34
- R35
- R38



MCO



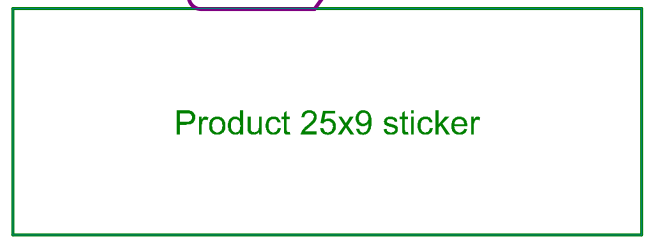
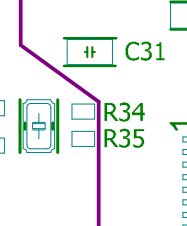
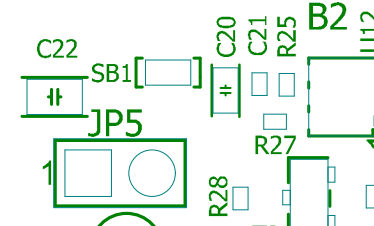
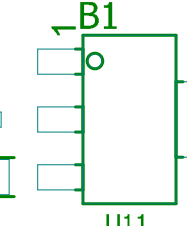
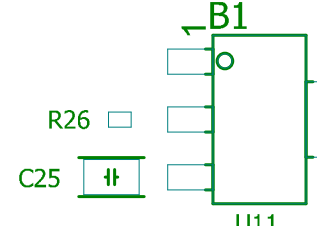
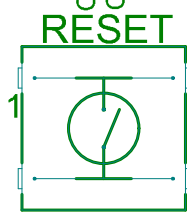
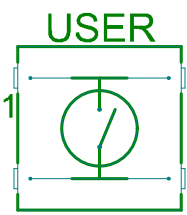
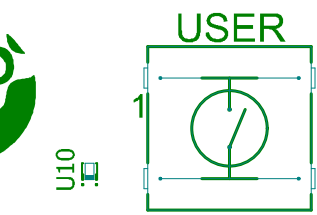
- CN5
- SCL/D15
- SDA/D14
- AVDD
- GND
- SCK/D13
- MISO/D12
- PWM/MOSI/D11
- PWM/CS/D10
- PWM/D9
- D8
- D7
- PWM/D6
- PWM/D5
- D4
- PWM/D3
- D2
- TX/D1
- RX/D0



E5V
GND

- IOREF
- NRST
- 3V3
- 5V
- GND
- GND
- VIN

- CN6
- A0
- A1
- A2
- A3
- A4
- A5



MB1932B



[] SB9

[] SB12

[] SB14

[] SB18

[] SB20

[] SB2

[] SB4

[] SB5

CN5

[] SB25

[] [] SB29 SB30

[] SB28

[] SB31

CN6

[] SB35

[] SB37

[] SB36

[] SB39

[] SB40

HW2

[] SB43

Board 25x9 sticker

SB52 [] [] SB46

CN10

CN9

[] SB54

CN8

CN7