

STM32MP257F-EV1

MB1936

Table of contents

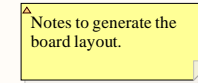
Sheet 1: Project overview (this page)
Sheet 2: Top View
Sheet 3: STM32MP257 I/Os
Sheet 4: Power PMIC
Sheet 5: STM32MP257 Power
Sheet 6: 2_DDR4_16bits
Sheet 7: Ethernet 1
Sheet 8: Ethernet 2
Sheet 9: Ethernet 3
Sheet 10: FDCAN
Sheet 11: USB_PCIe
Sheet 12: USB_HUB
Sheet 13: SDcard_eMMC
Sheet 14: QSPL_NOR
Sheet 15: Video
Sheet 16: Expansion and mikroBUS connectors
Sheet 17: Peripherals
Sheet 18: STlink V3EC

Legend

General comment such as function title, configuration, ...

Text to be added to silkscreen.

Warning text.



Open Platform License Agreement

The Open Platform License Agreement (“Agreement”) is a binding legal contract between you (“You”) and STMicroelectronics International N.V. (“ST”), a company incorporated under the laws of the Netherlands acting for the purpose of this Agreement through its Swiss branch 39, Chemin du Champ des Filles, 1228 Plan-les-Ouates, Geneva, Switzerland.

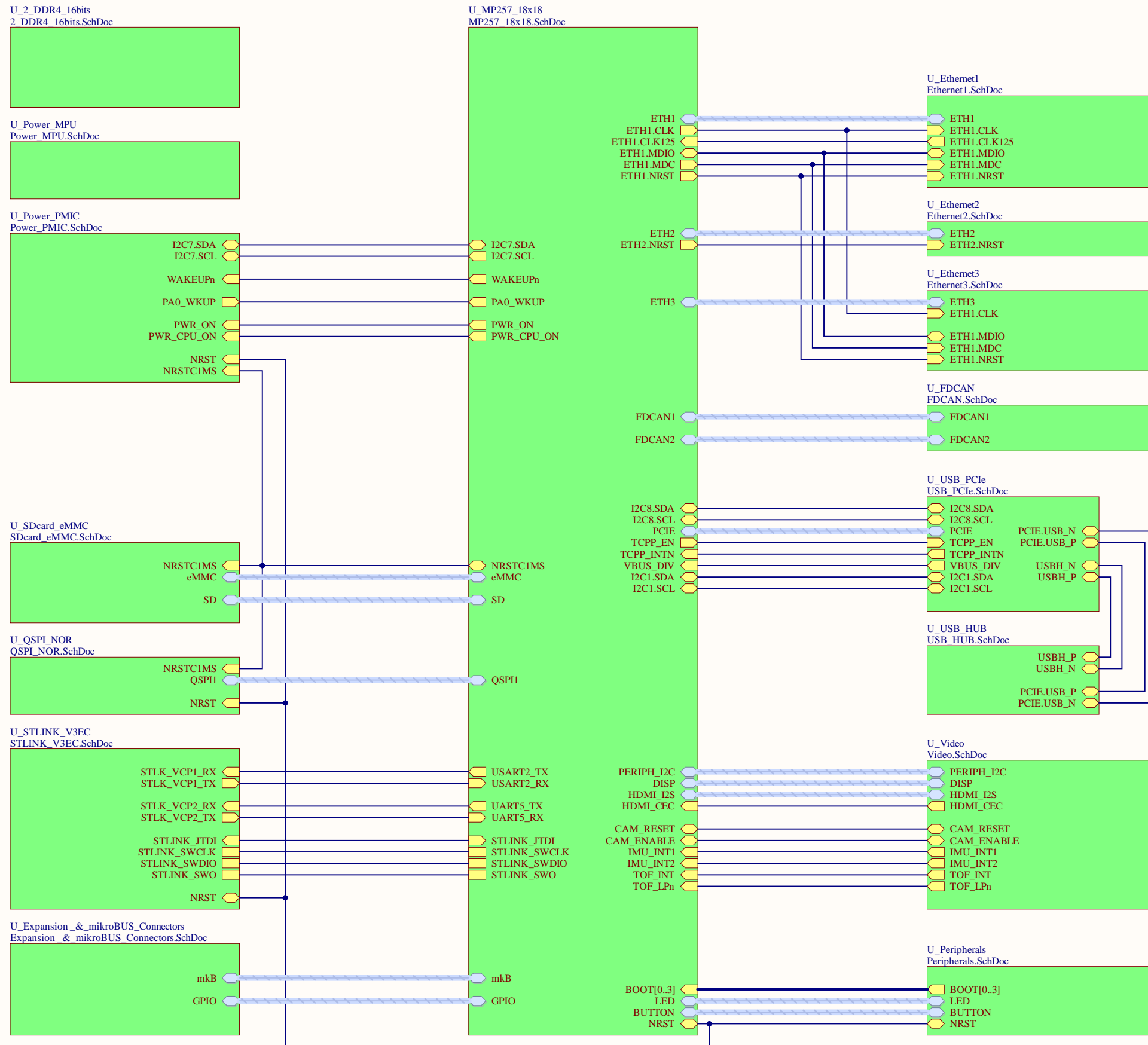
By using the enclosed reference designs, schematics, PC board layouts, and documentation, in hardcopy or CAD tool file format (collectively, the “Reference Material”), You are agreeing to be bound by the terms and conditions of this Agreement. Do not use the Reference Material until You have read and agreed to this Agreement terms and conditions. The use of the Reference Material automatically implies the acceptance of the Agreement terms and conditions.

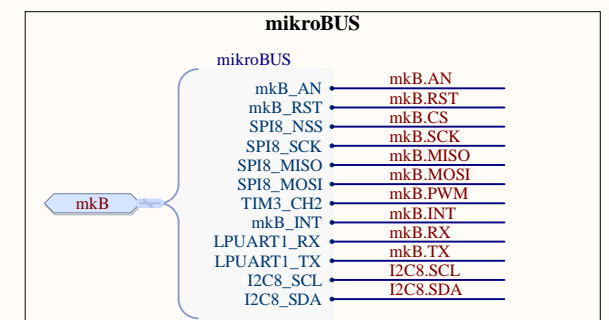
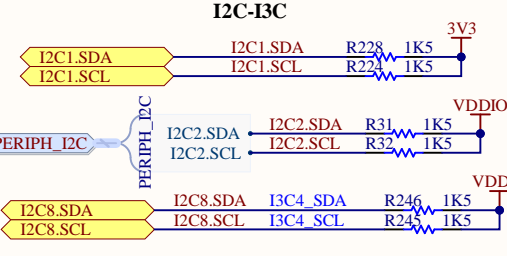
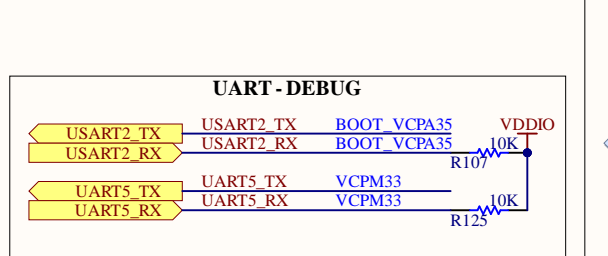
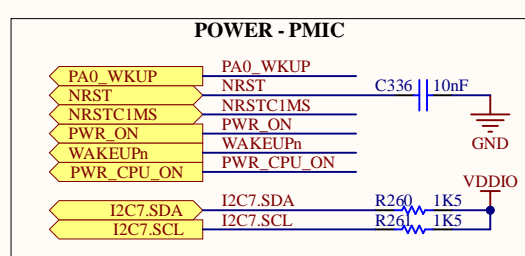
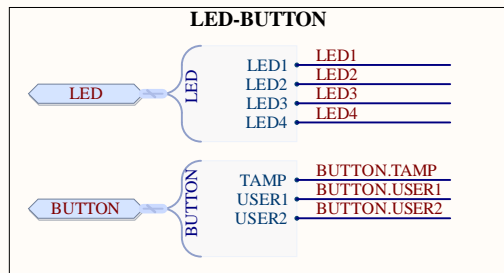
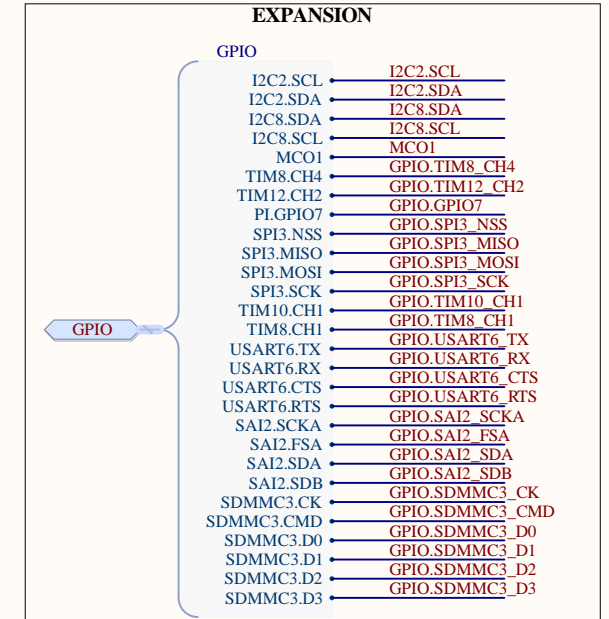
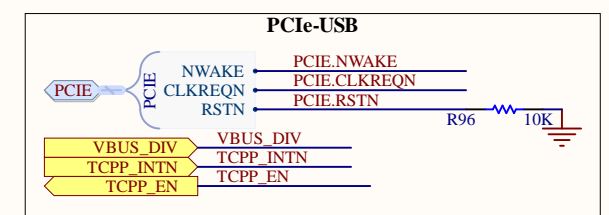
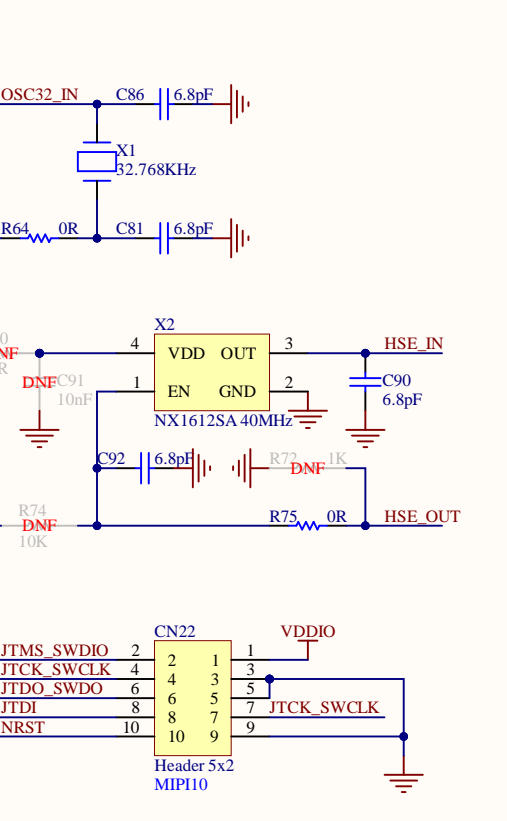
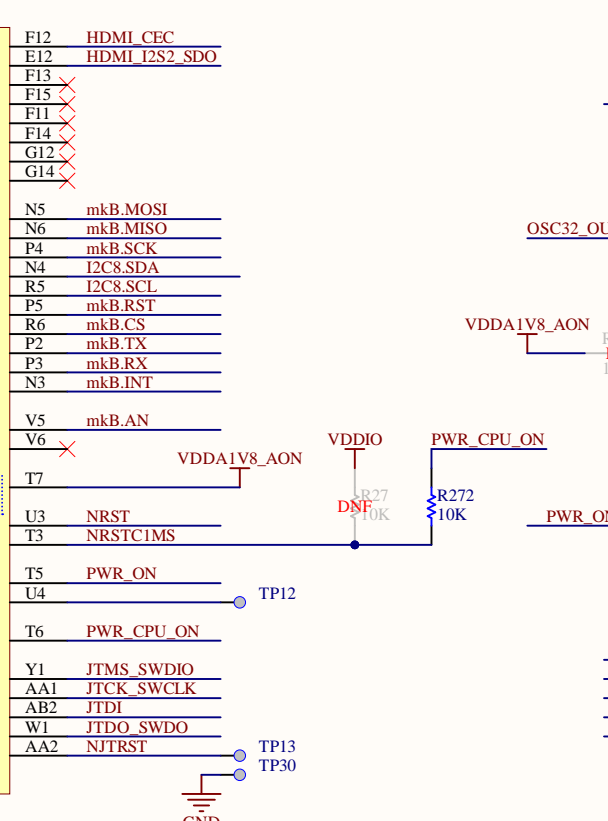
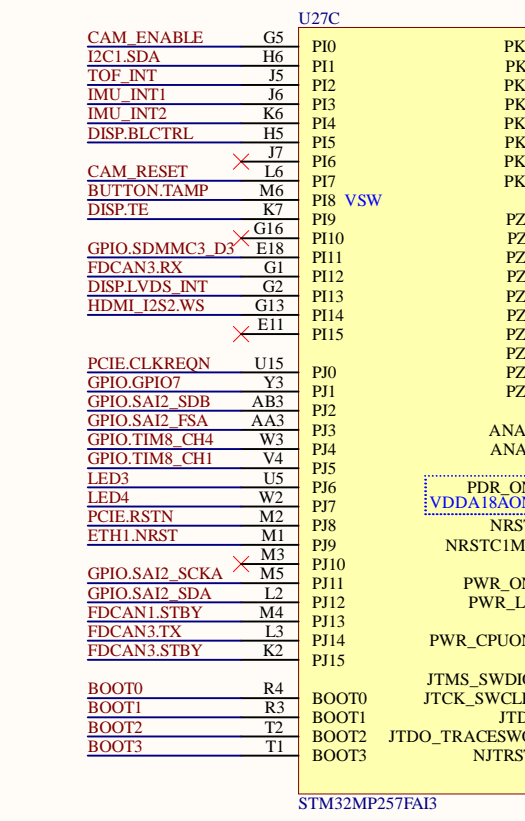
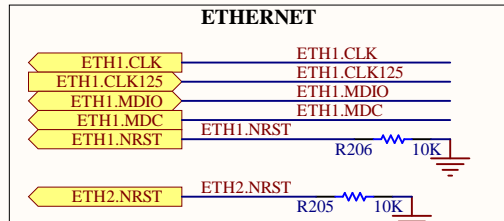
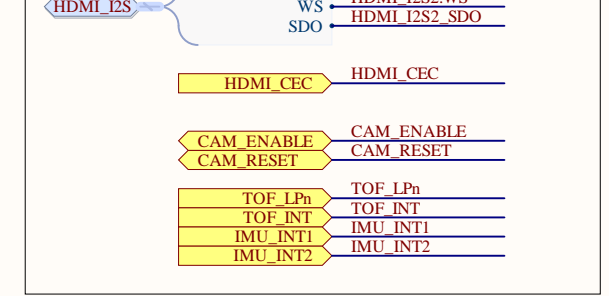
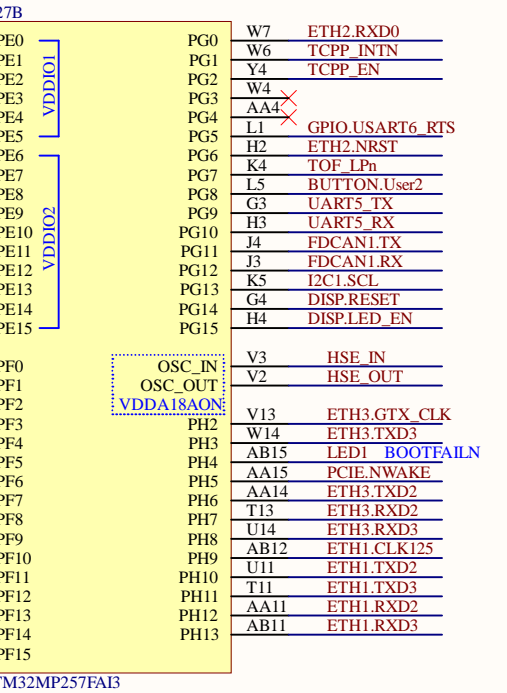
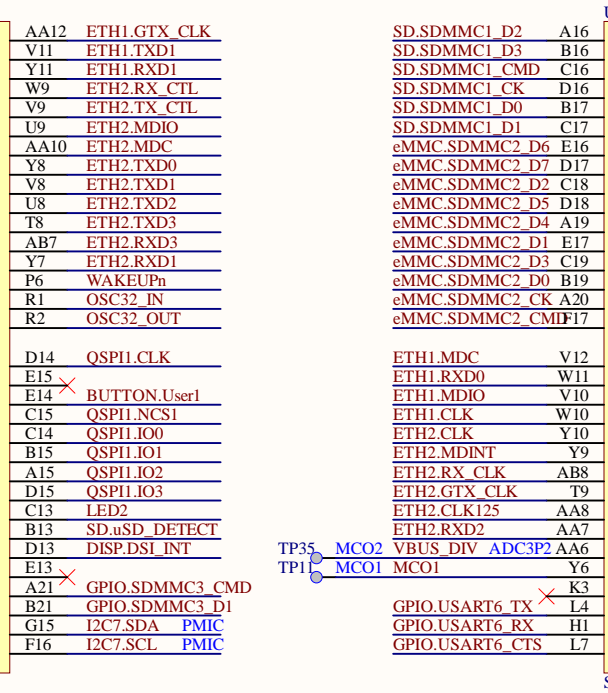
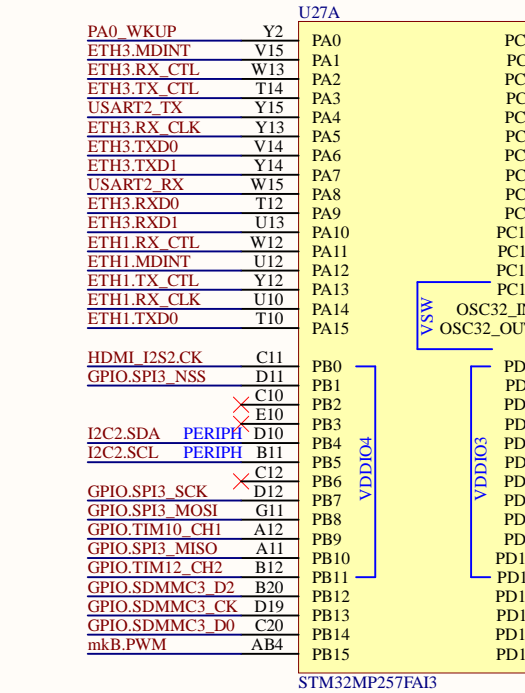
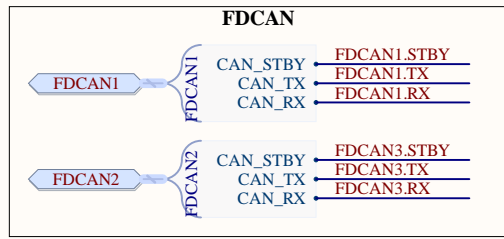
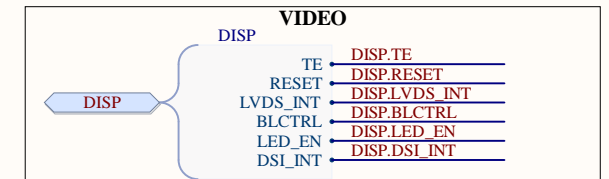
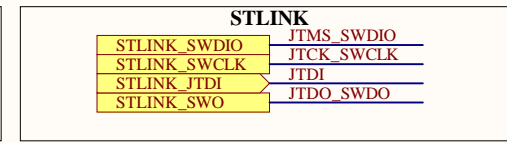
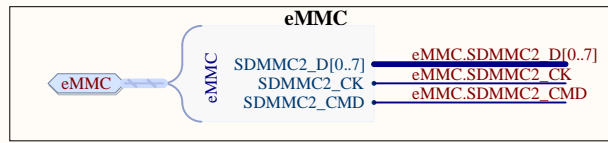
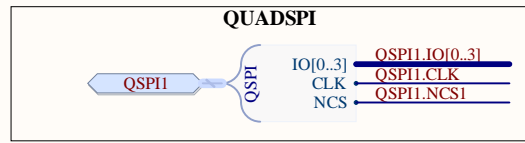
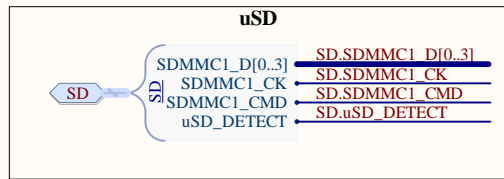
The complete Open Platform License Agreement can be found on www.st.com/opla.

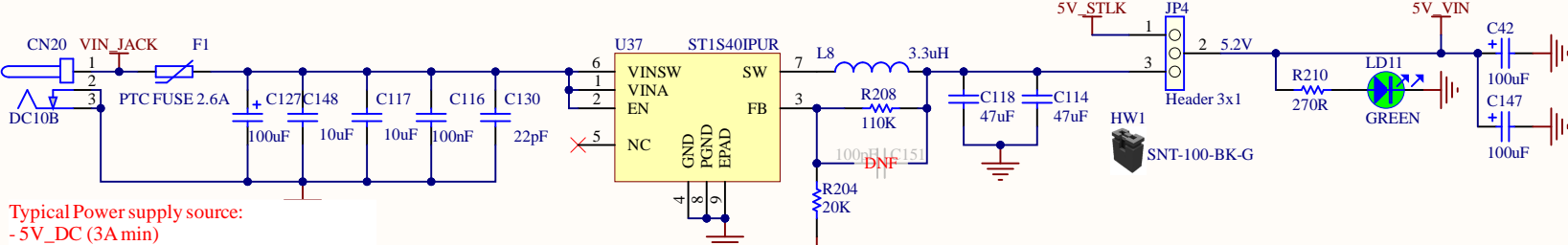
U_MB1936-TOP
MB1936-TOP.SchDoc



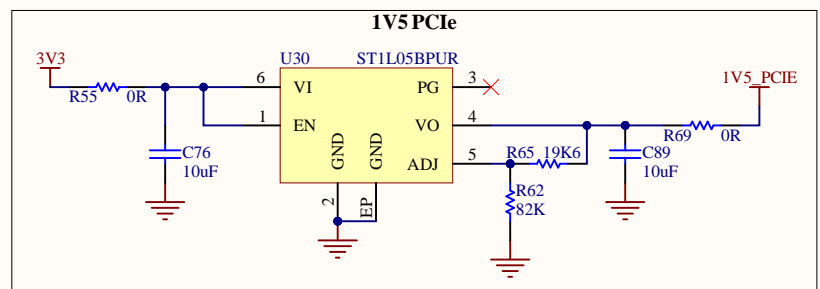
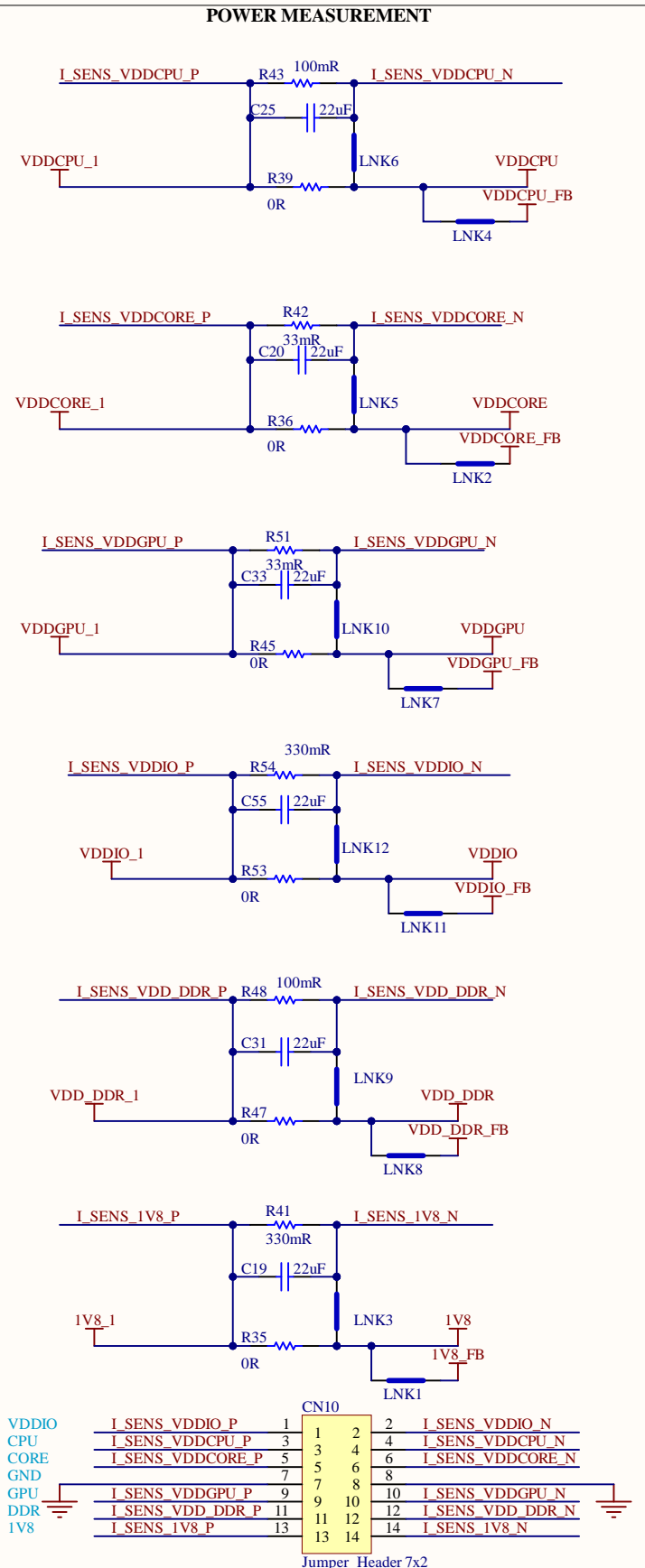
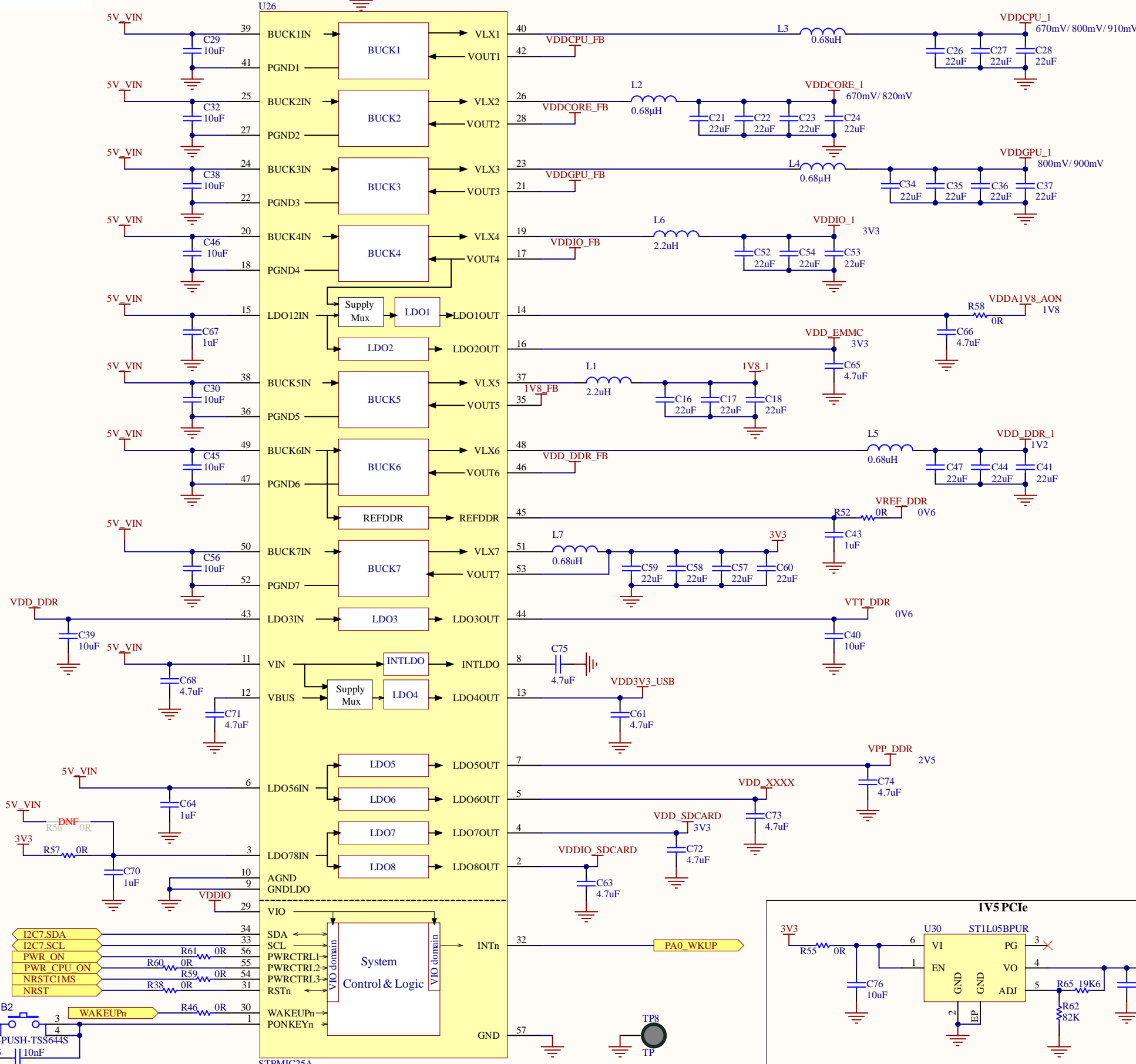
Title: Project overview		
Project: STM32MP257F-EV1		
Variant: MP257F_X		
Revision: D-01	Reference: MB1936	
Size: A4	Date: 16-MAY-24	Sheet: 1 of 18



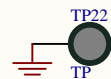
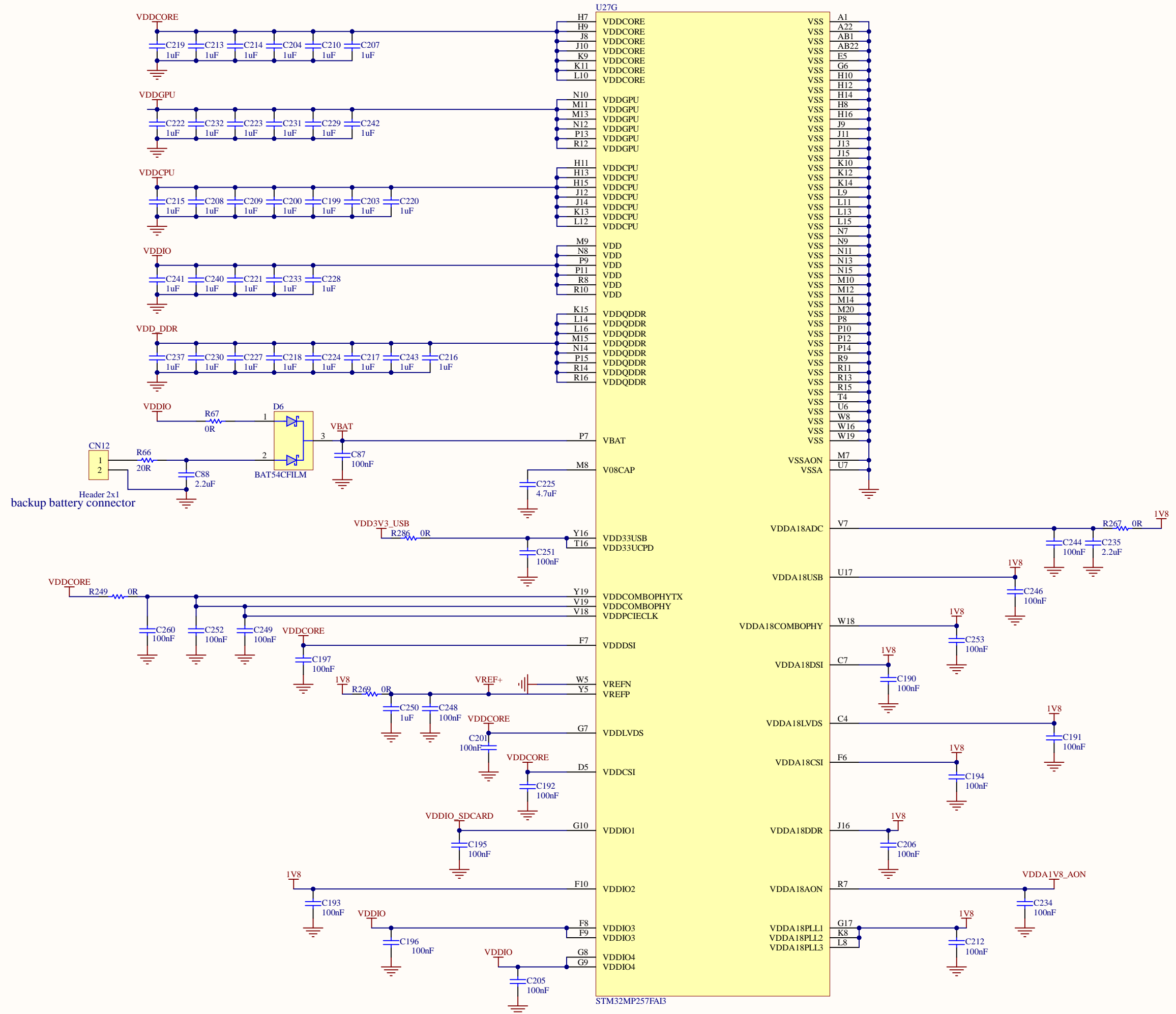


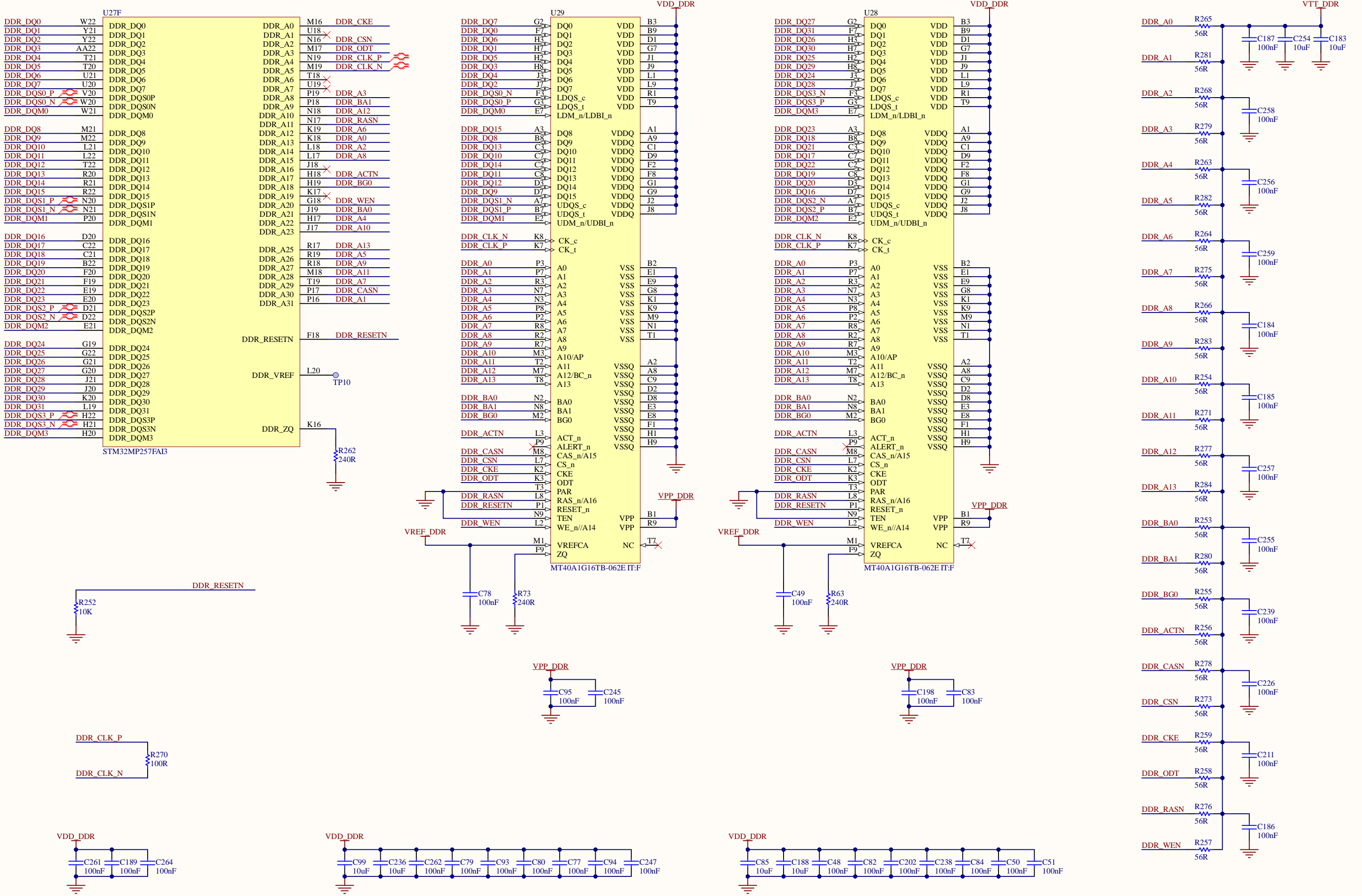


Typical Power supply source:
-5V_DC (3A min)

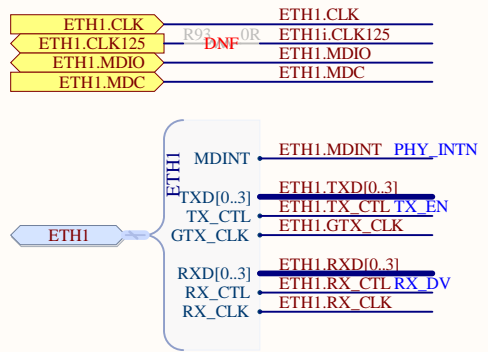


Power MPU

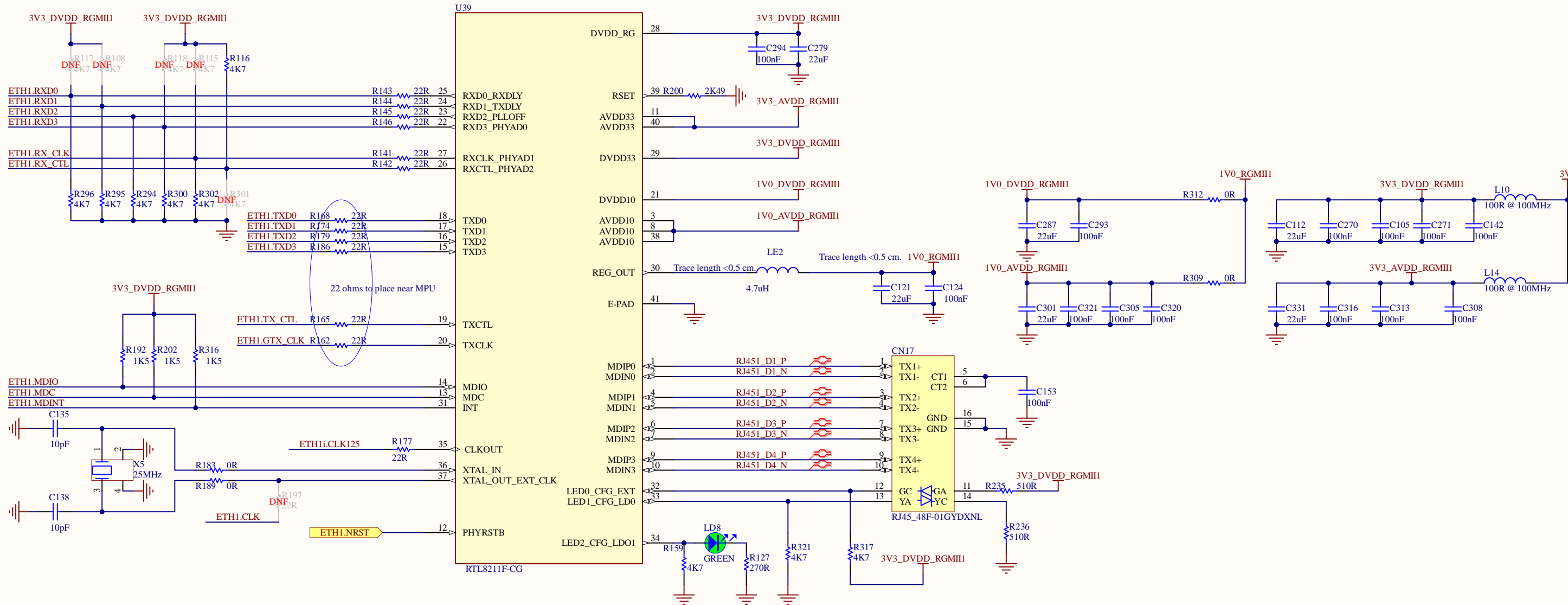




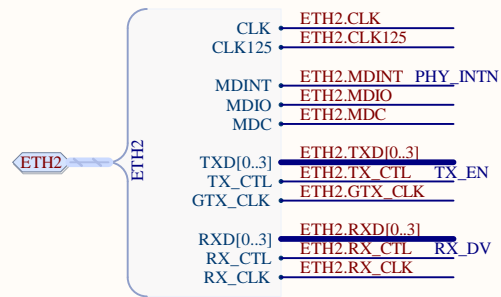
RGMII ETH1



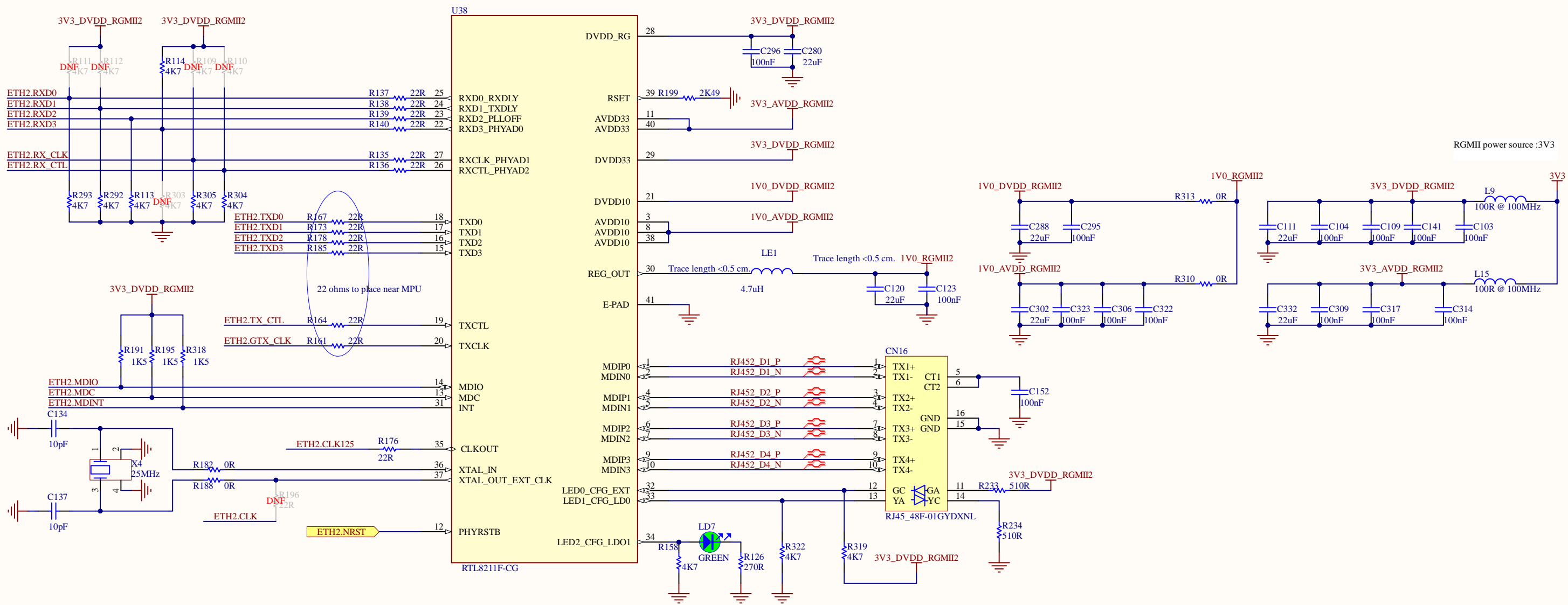
TXC / RXC : no 2ns delays
 PHY Address :
 AD[2:0] : 100 (0x04) default



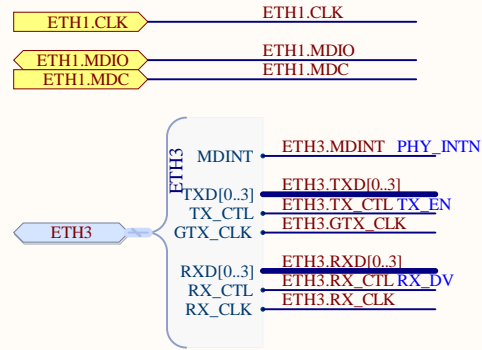
RGMII ETH2



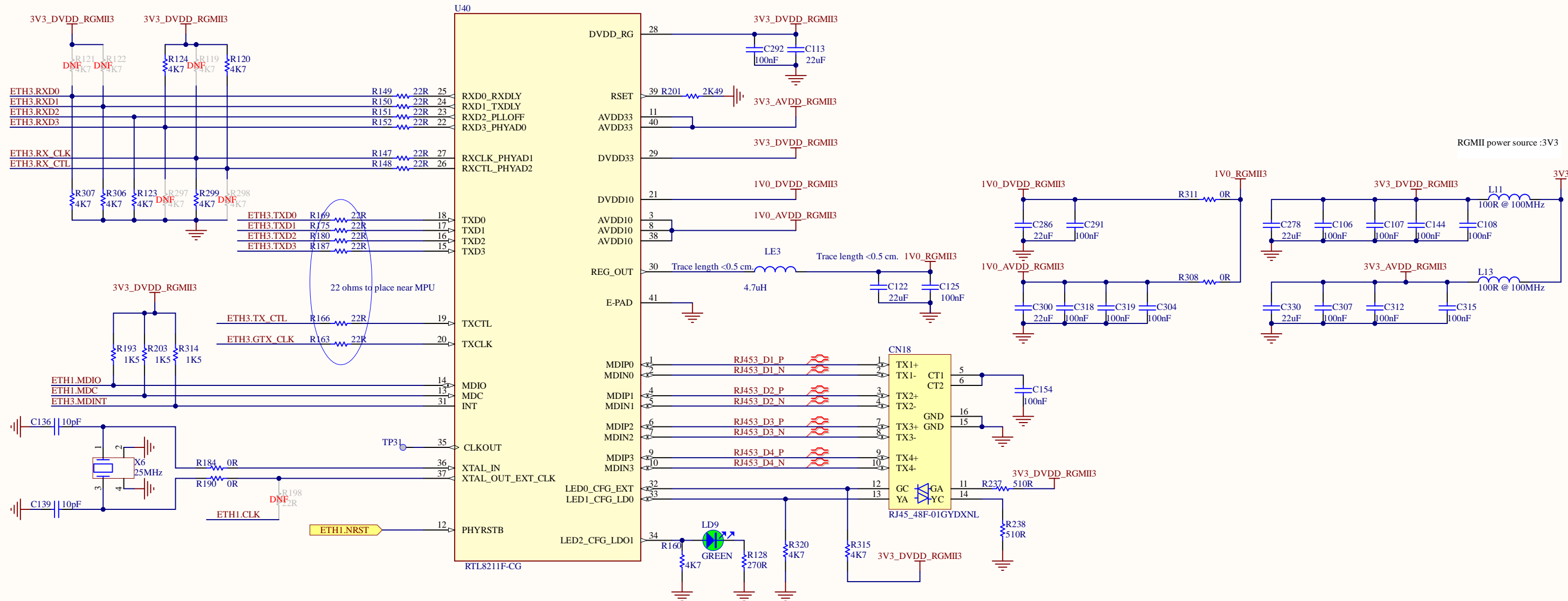
TXC / RXC : no 2ns delays
 PHY Address :
 AD[2:0] : 001 (0x01) default

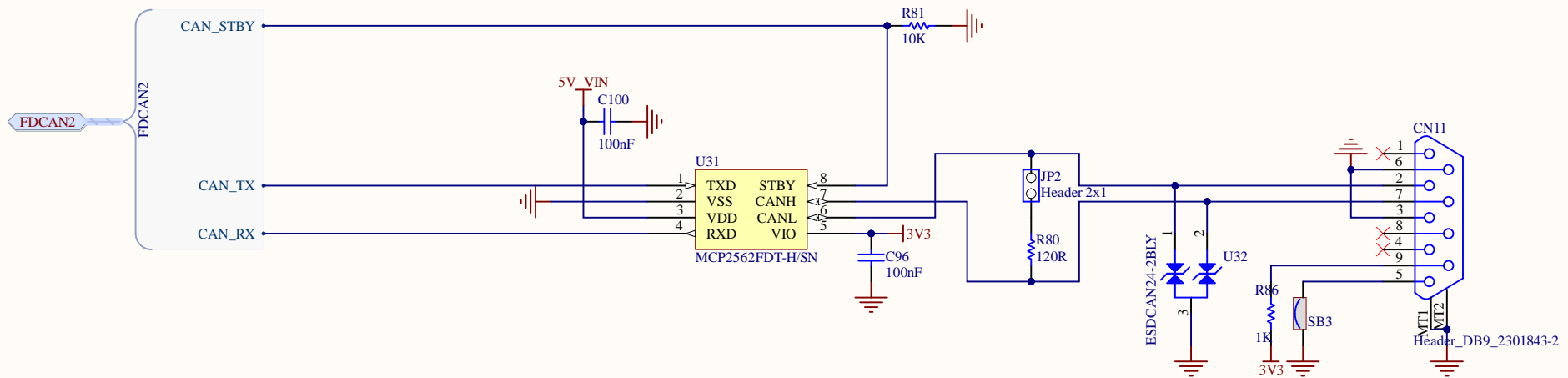
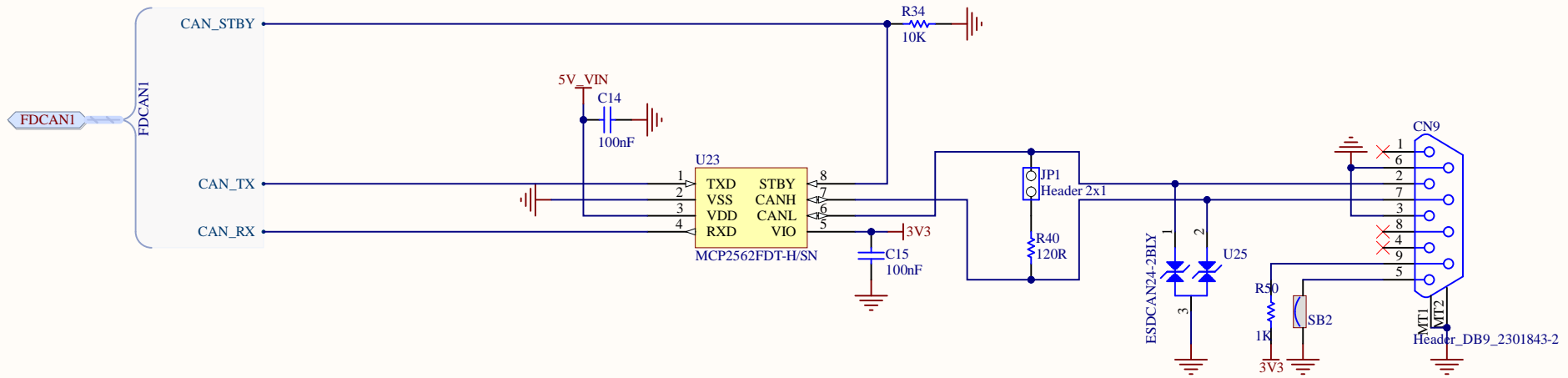


RGMII ETH3

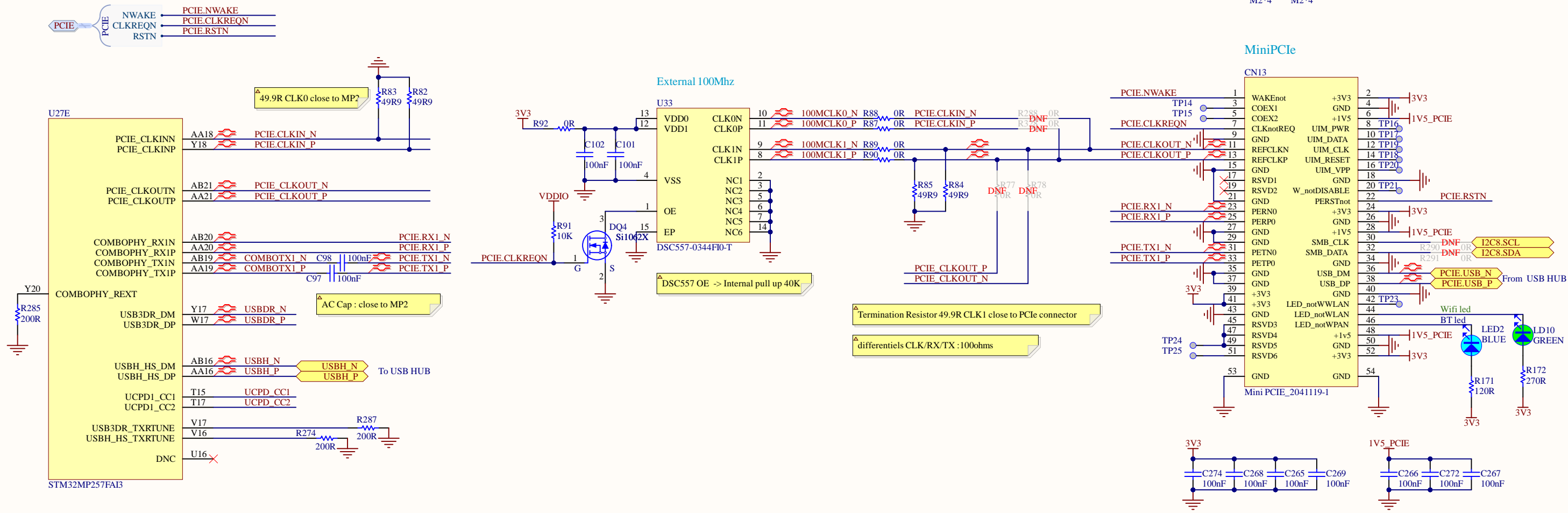


TXC / RXC : no 2ns delay
 PHY Address :
 AD[2:0] : 101 (0x05) default



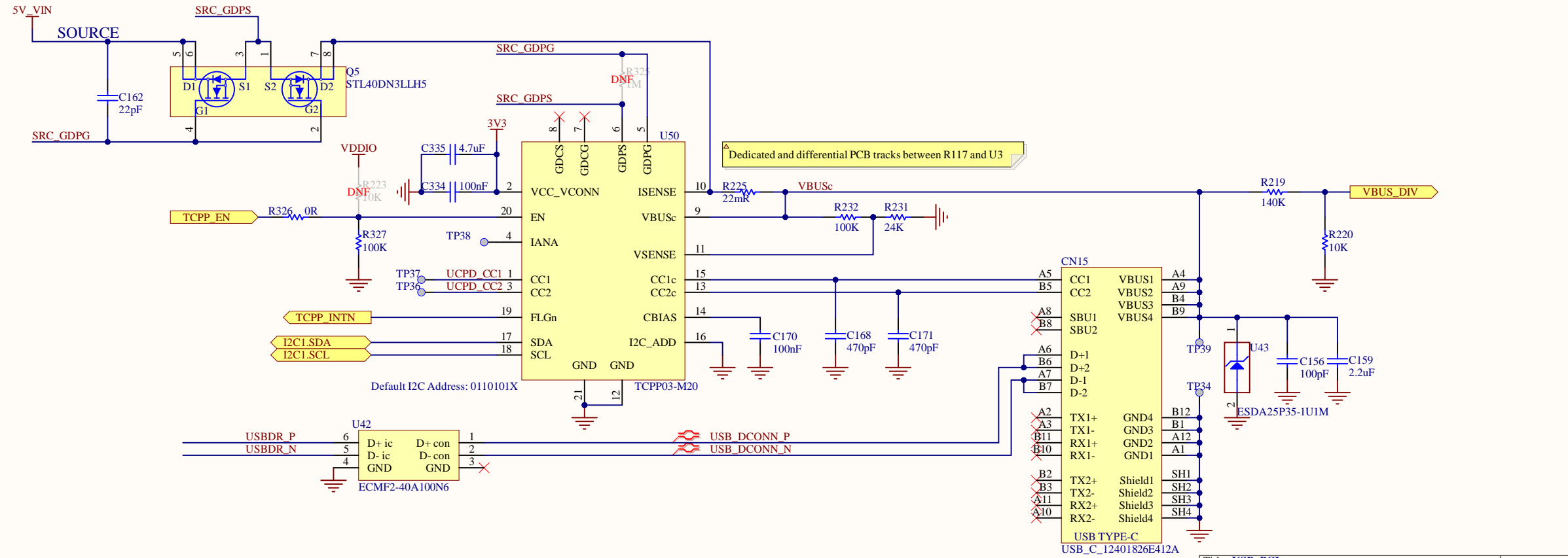


PCIe

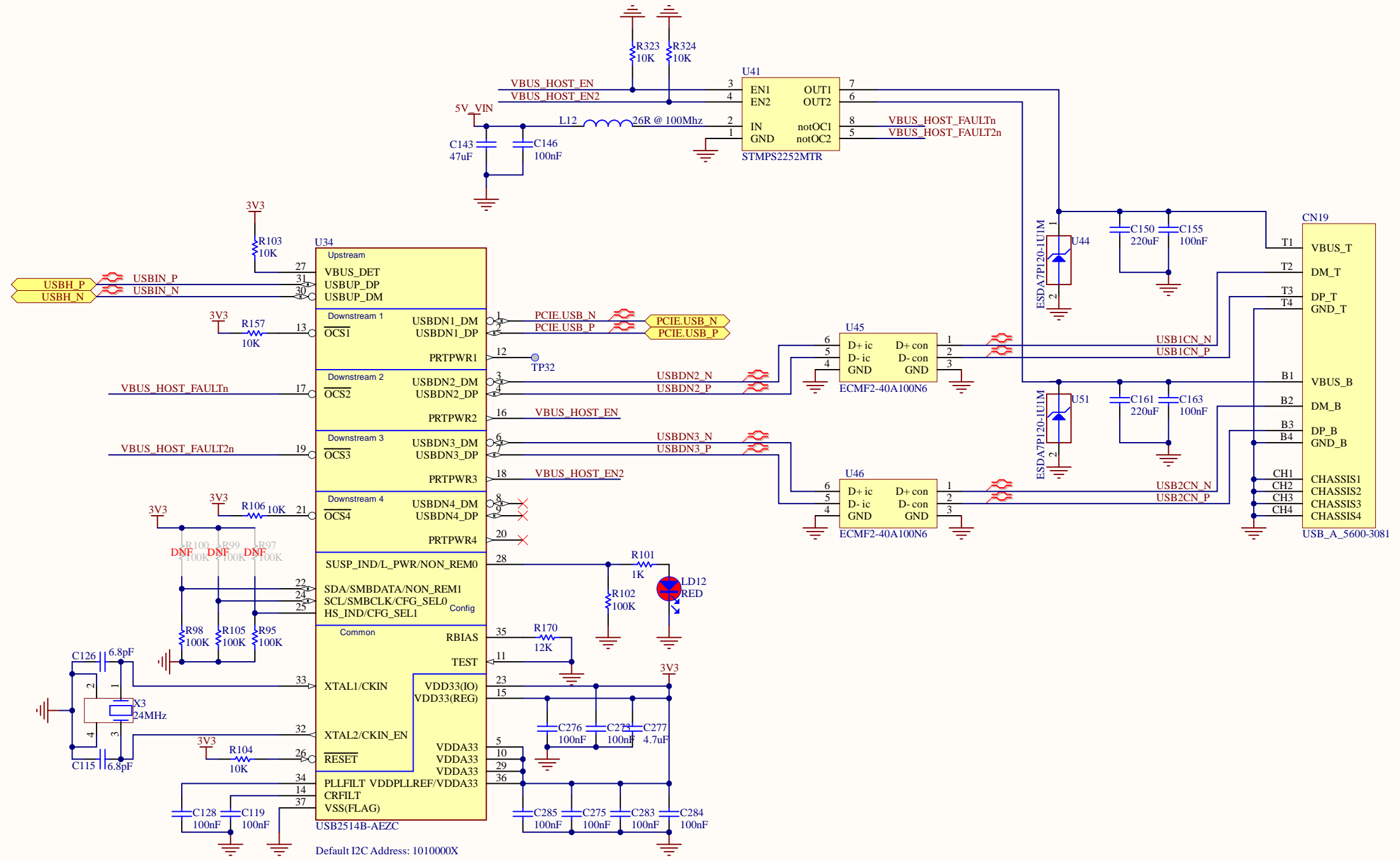


USB_DRD

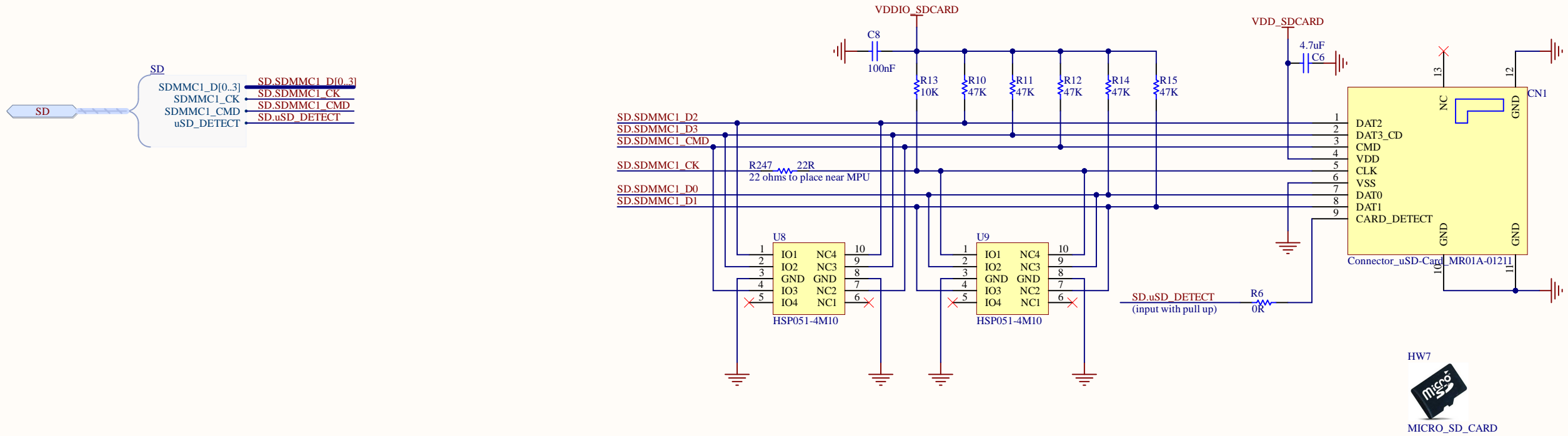
Source/Sink(with sink current=0)



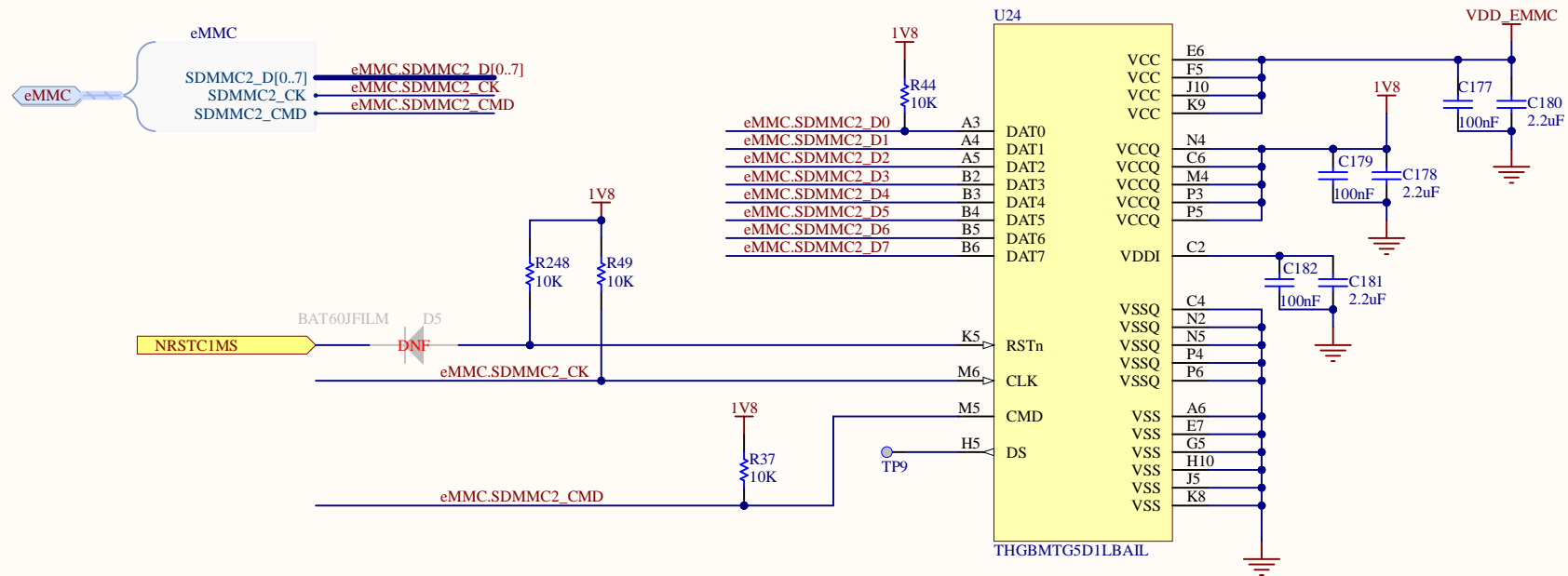
USB_HUB



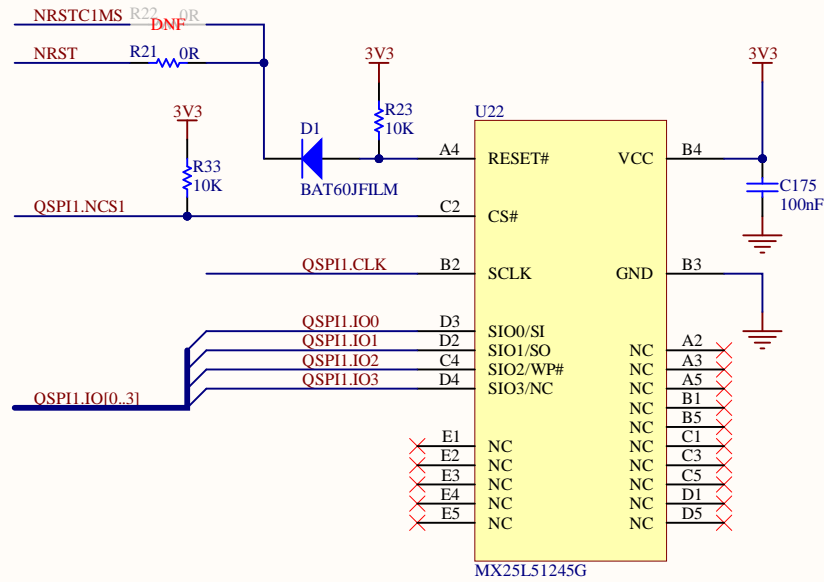
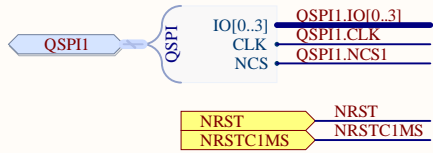
MICRO SD CARD



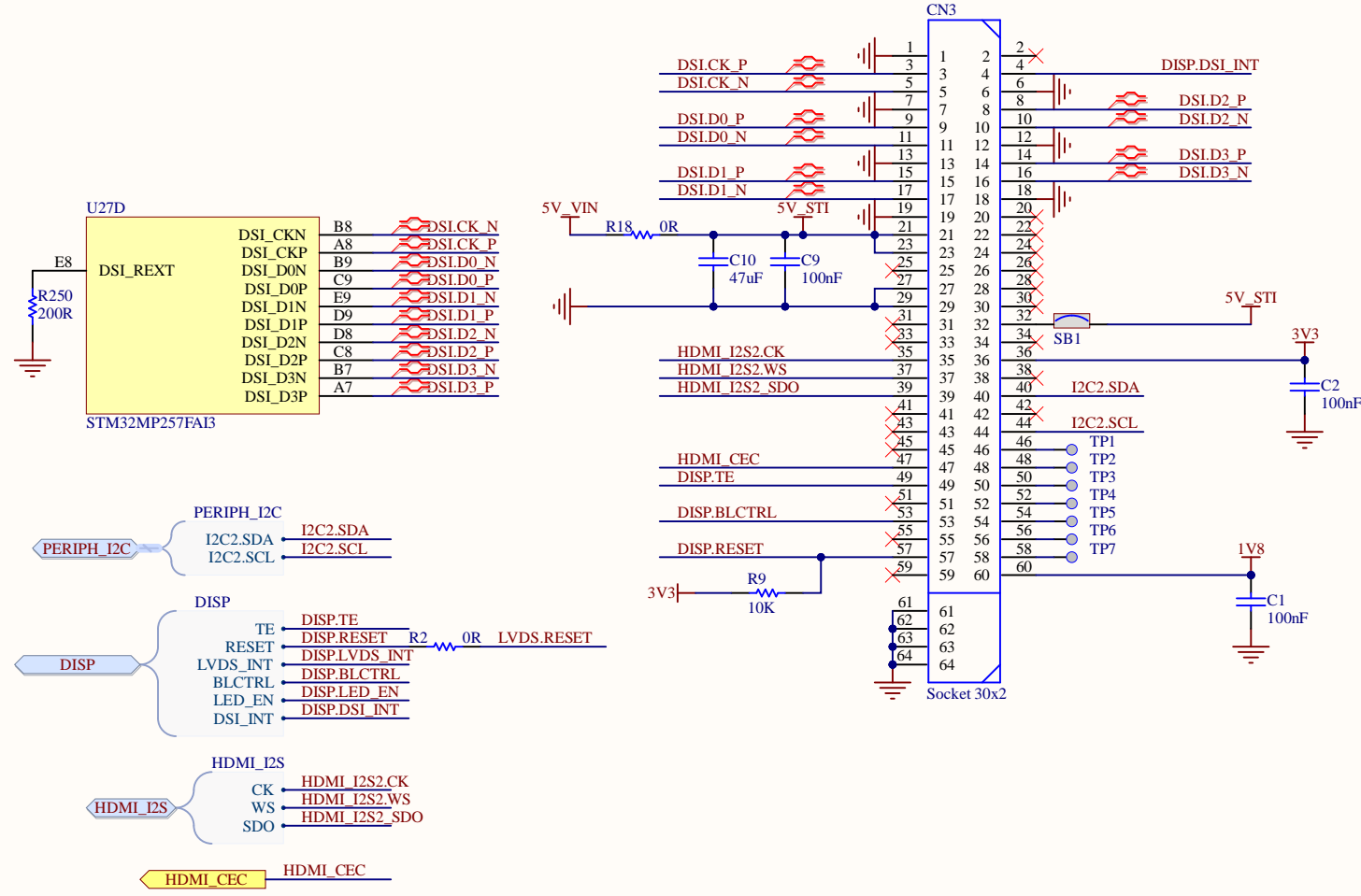
eMMC



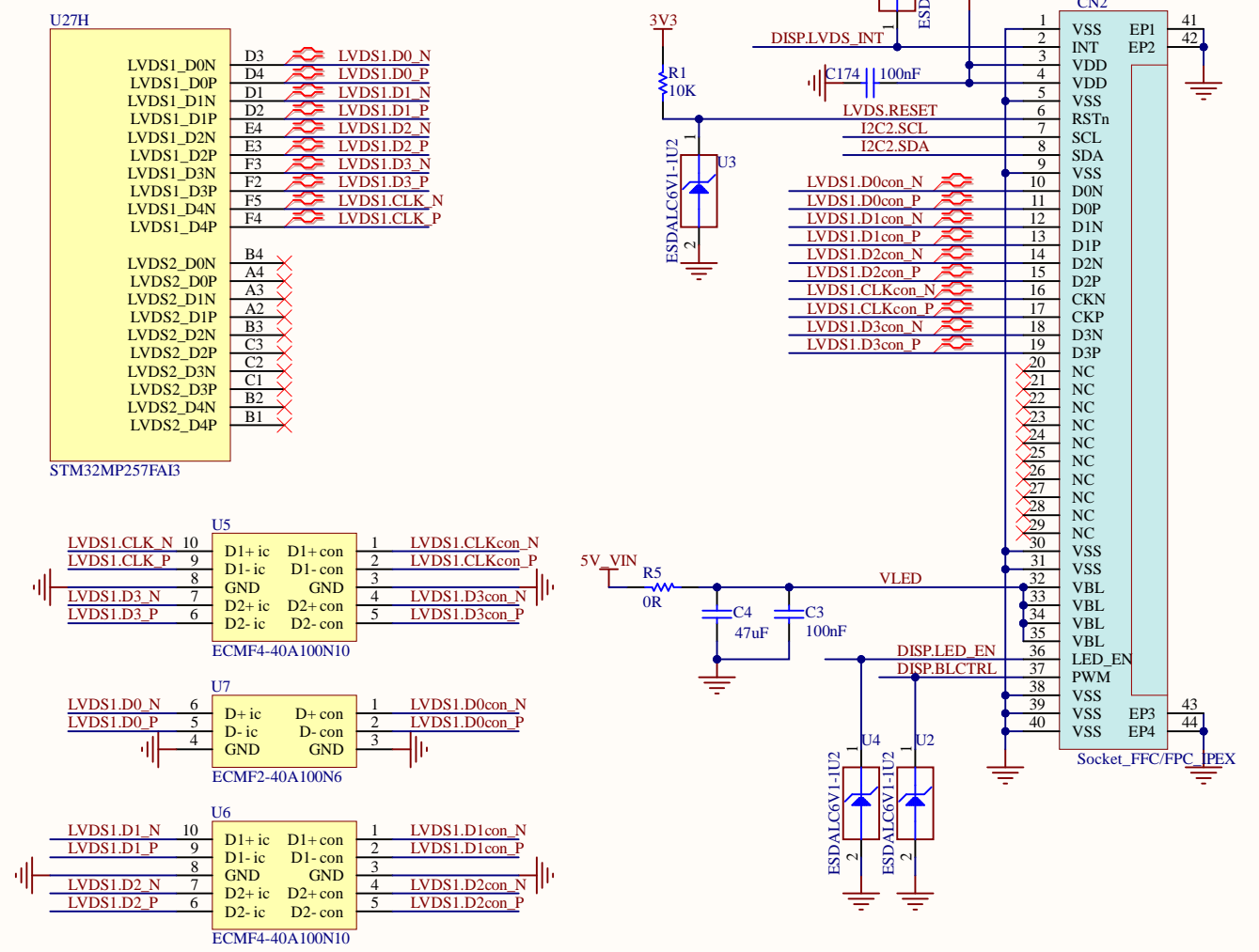
Quad SPI Flash



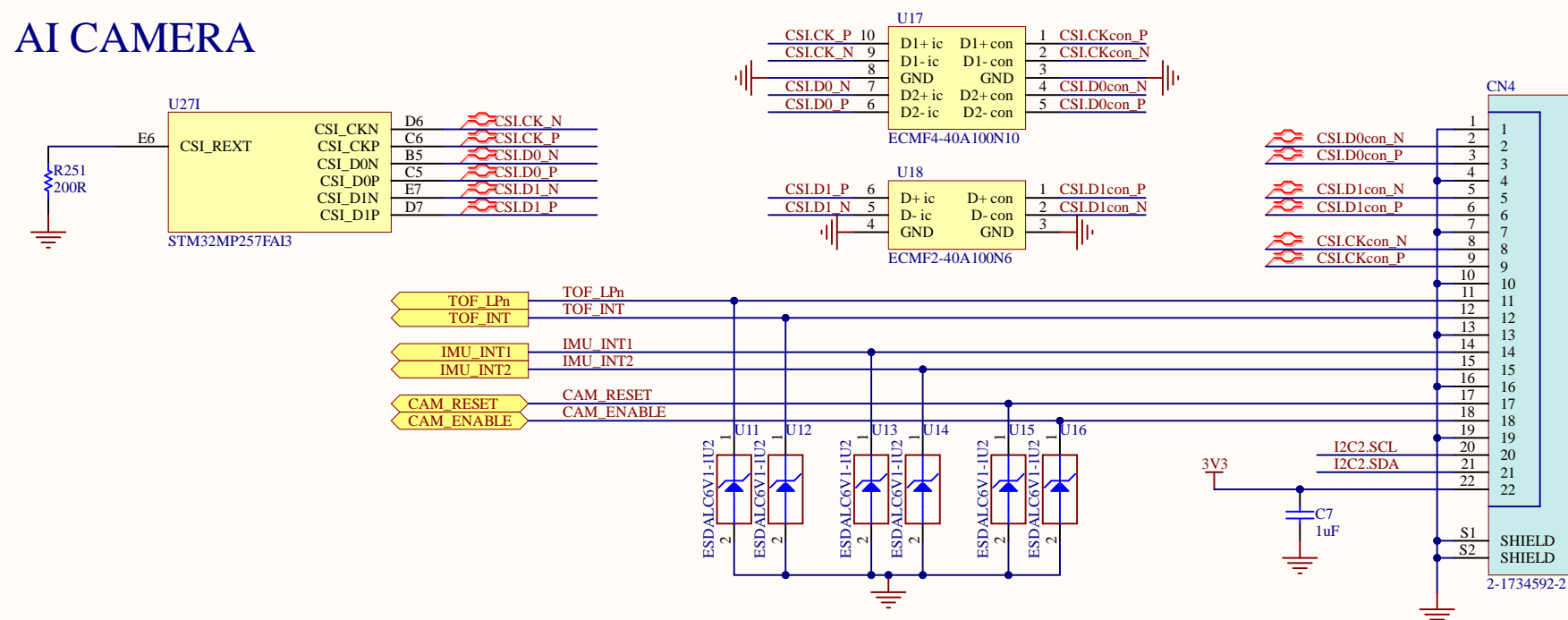
DSI - HDMI



LVDS

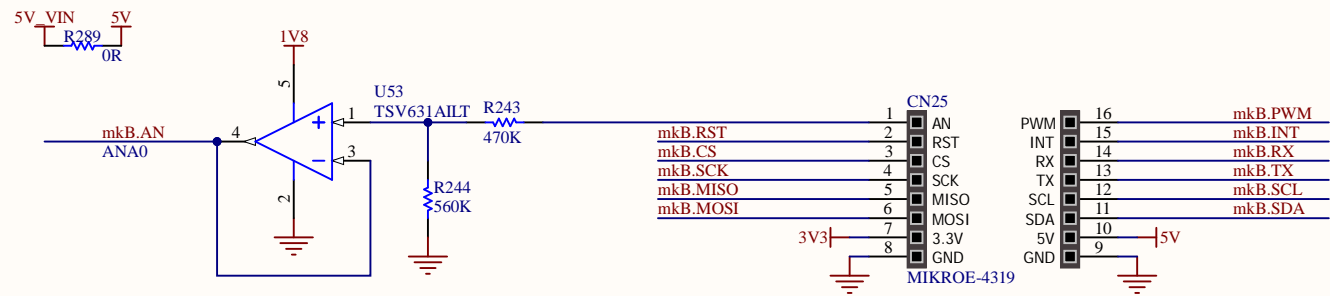


AI CAMERA



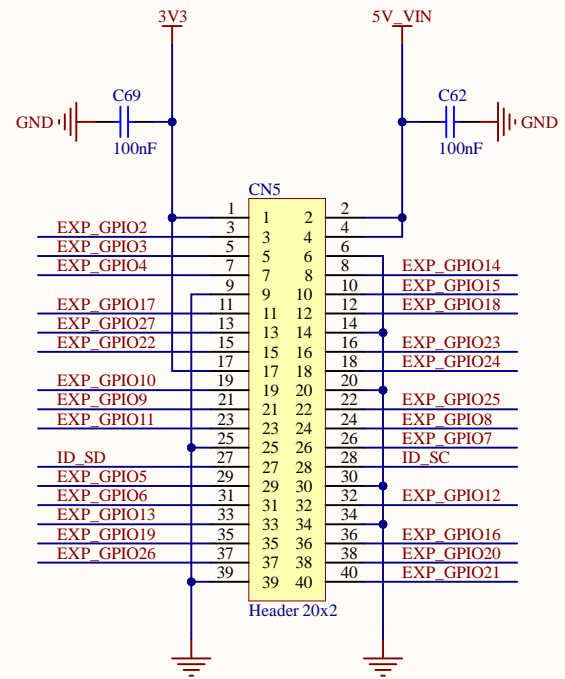
mikroBUS connector

mikroBUS		
mkB_AN	mkB_AN	ANA0
mkB_RST	mkB_RST	PZ5
SPI8_NSS	mkB_CS	PZ6
SPI8_SCK	mkB_SCK	PZ2
SPI8_MISO	mkB_MISO	PZ1
SPI8_MOSI	mkB_MOSI	PZ0
TIM3_CH2	mkB_PWM	PB15
mkB_INT	mkB_INT	PZ9
LPUART1_RX	mkB_RX	PZ8
LPUART1_TX	mkB_TX	PZ7
I2C8_SCL	mkB_SCL	PZ4
I2C8_SDA	mkB_SDA	PZ3

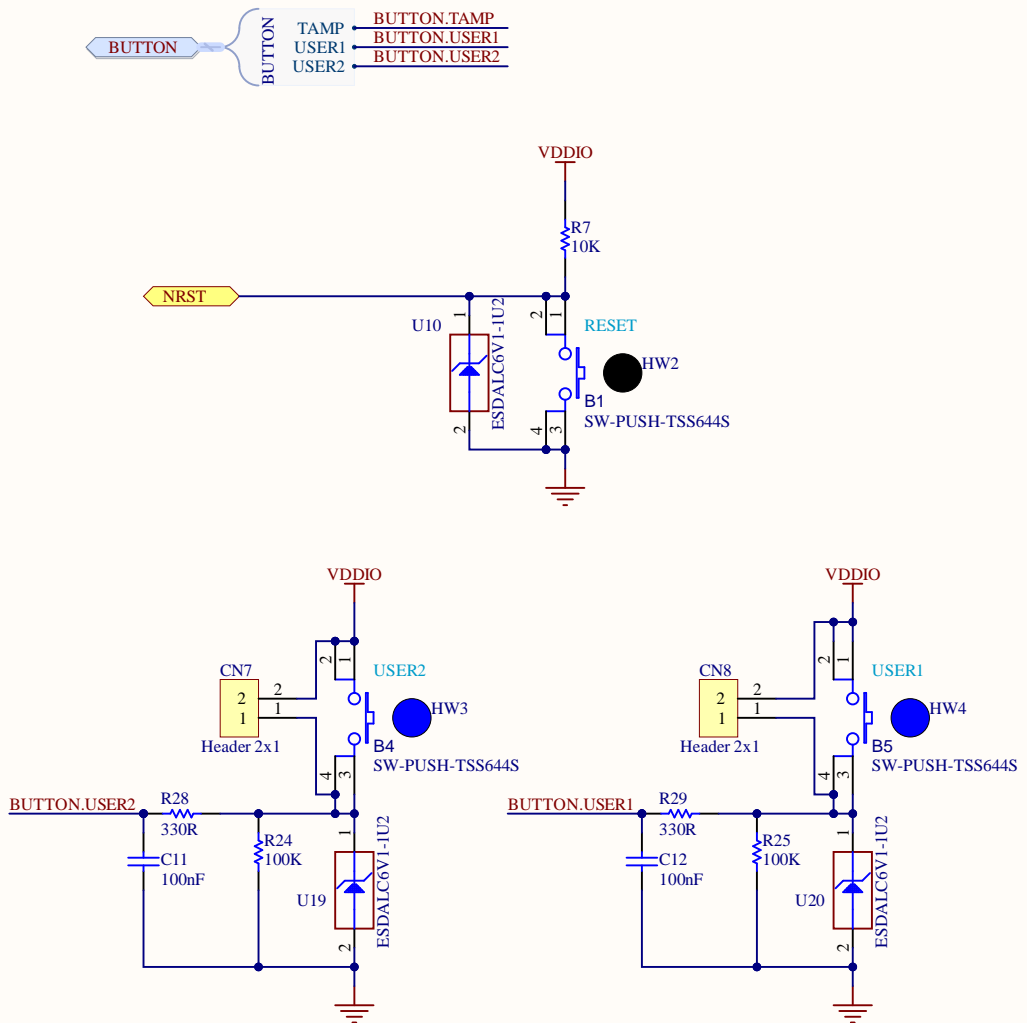


EXPANSION CONNECTOR

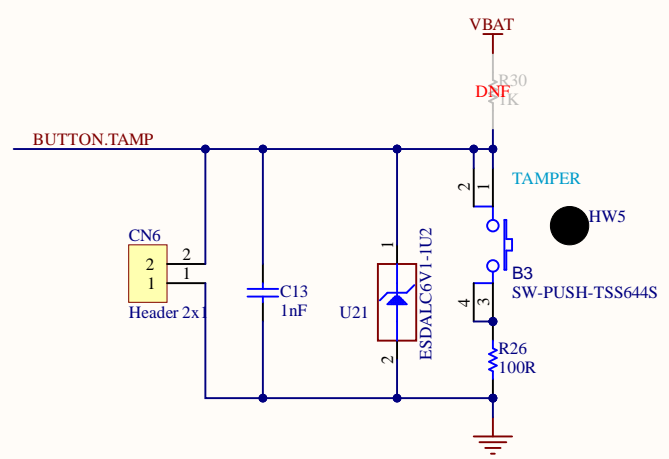
GPIO		
I2C2_SCL	ID_SC	
I2C2_SDA	ID_SD	
I2C8_SDA	EXP_GPIO2	
I2C8_SCL	EXP_GPIO3	
MCO1	EXP_GPIO4	
TIM8.CH4	EXP_GPIO5	
TIM12.CH2	EXP_GPIO6	
PLGPIO7	EXP_GPIO7	
SPI3.NSS	EXP_GPIO8	
SPI3.MISO	EXP_GPIO9	
SPI3.MOSI	EXP_GPIO10	
SPI3.SCK	EXP_GPIO11	
TIM10.CH1	EXP_GPIO12	
TIM8.CH1	EXP_GPIO13	
USART6.TX	EXP_GPIO14	
USART6.RX	EXP_GPIO15	
USART6.CTS	EXP_GPIO16	
USART6.RTS	EXP_GPIO17	
SAI2.SCKA	EXP_GPIO18	
SAI2.FSA	EXP_GPIO19	
SAI2.SDA	EXP_GPIO20	
SAI2.SDB	EXP_GPIO21	
SDMMC3.CK	R94	22R EXP_GPIO22
SDMMC3.CMD	EXP_GPIO23	
SDMMC3.D0	EXP_GPIO24	
SDMMC3.D1	EXP_GPIO25	
SDMMC3.D2	EXP_GPIO26	
SDMMC3.D3	EXP_GPIO27	



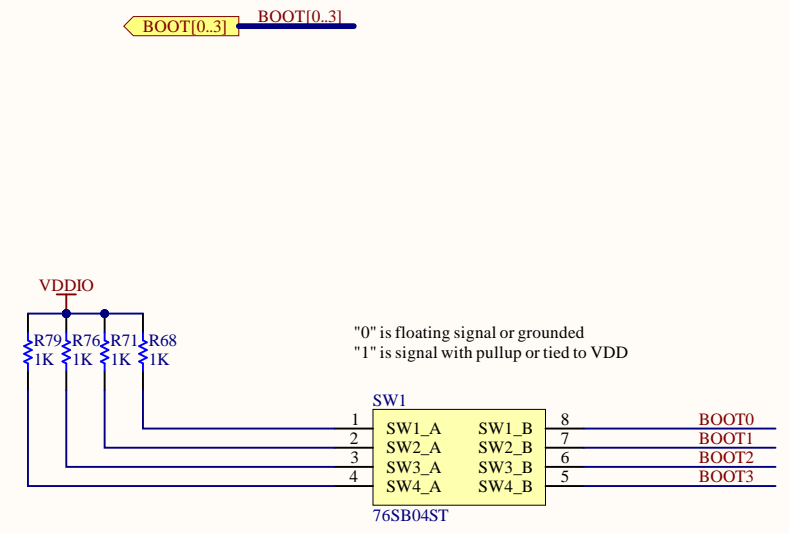
BUTTONS



TAMPER



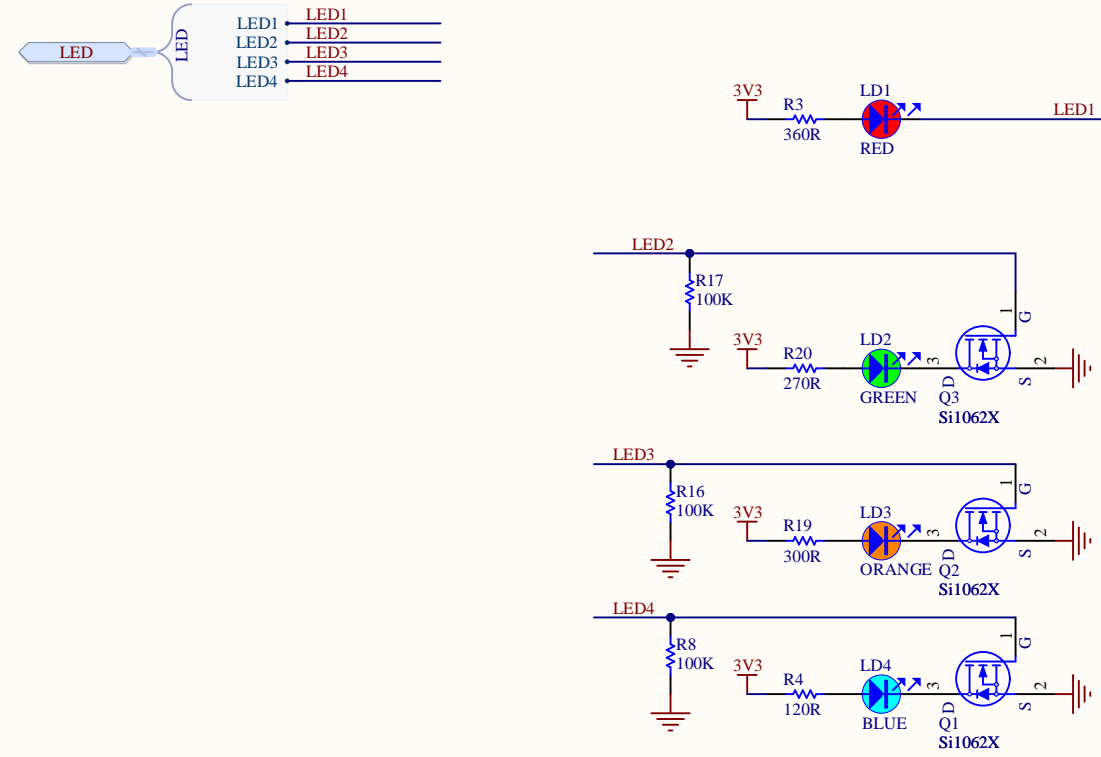
BOOT MODE



BOOT[3:0]	A35 master	M33 master
'b0000	UART/USB	UART/USB
'b0001	SD-Card	-
'b0010	eMMC	-
'b0011	Development	Development
'b0100	S-NOR	-
'b0101	-	-
'b0110	-	-
'b0111	-	SD-Card
'b1000	-	eMMC
'b1001	-	-
'b1010	-	-
'b1011	-	S-NOR
'b1100	Development	Development
'b1101	-	-
'b1110	-	-
'b1111	UART/USB	UART/USB

BOOT Sources : Simplified Table
For the complete Table : refer to datasheet

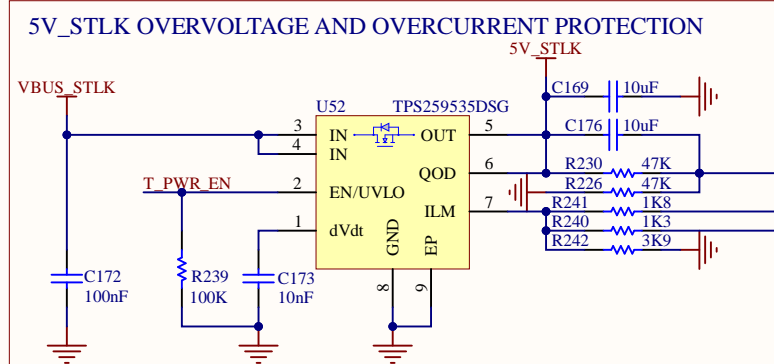
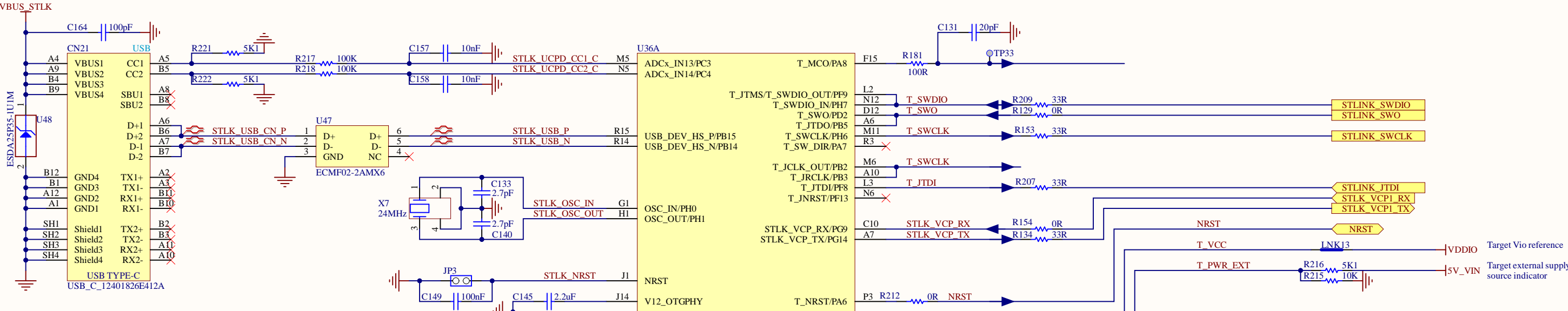
LED



HW1302 BOARD CPN Sticker product
HW1303 BOARD REF Sticker board



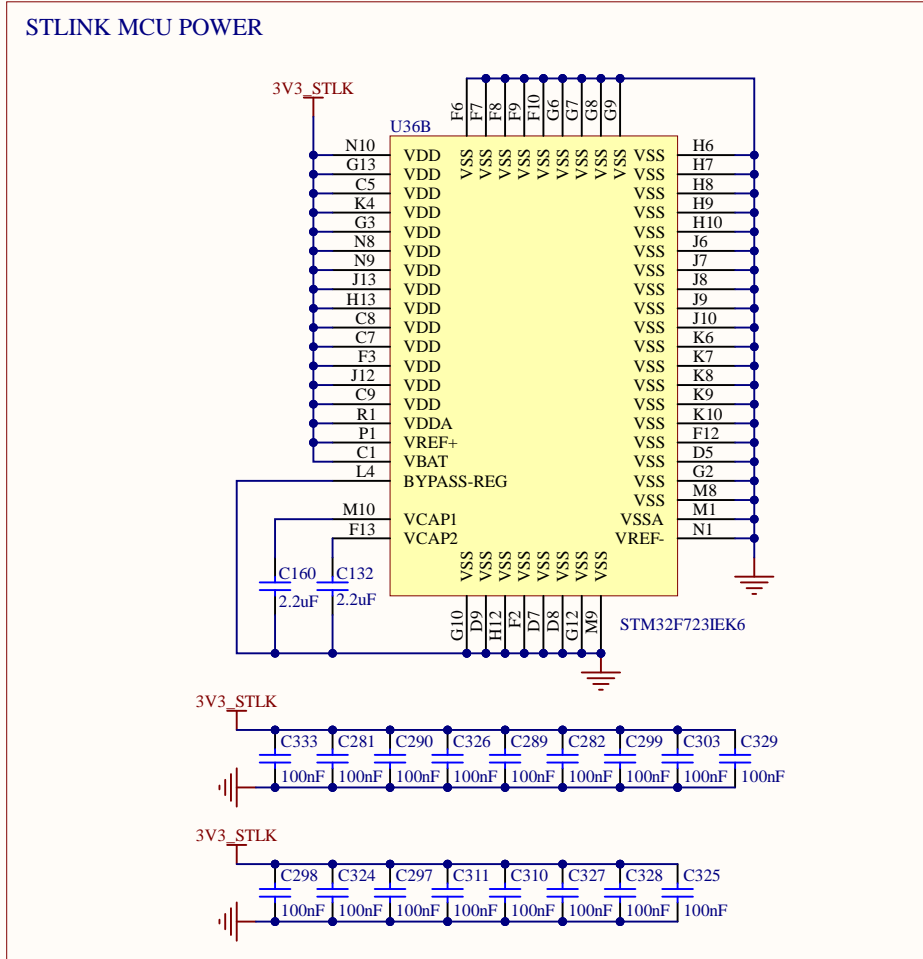
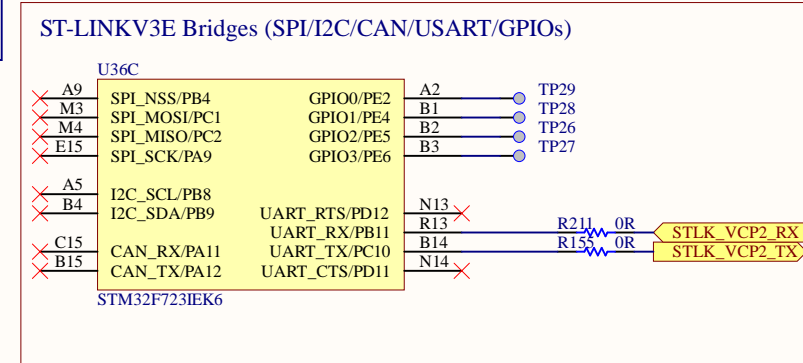
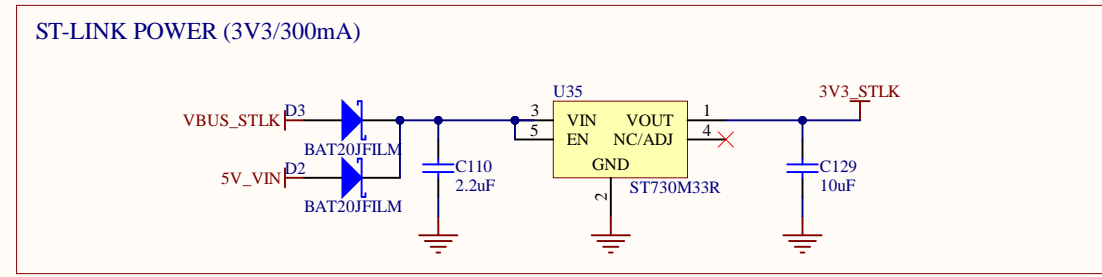
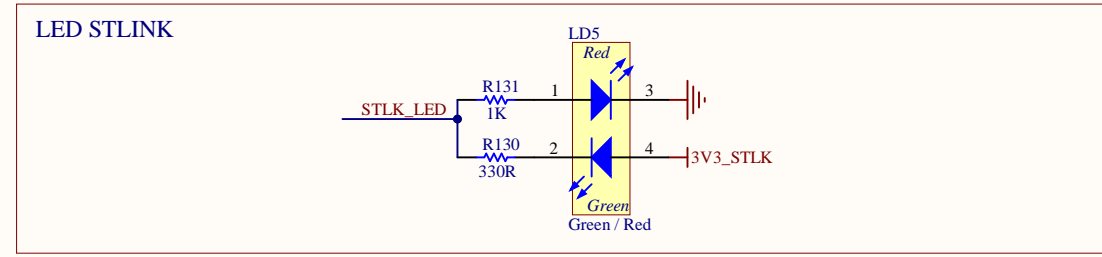
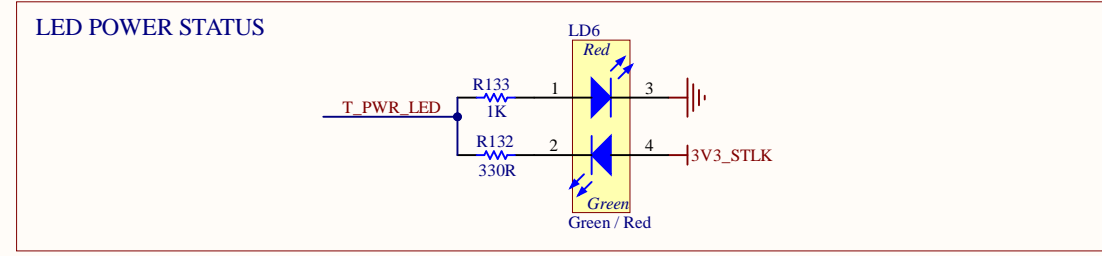
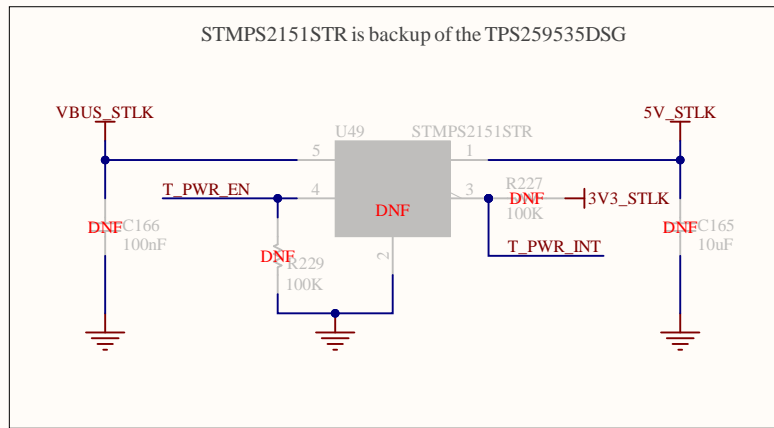
STLINK-V3EC

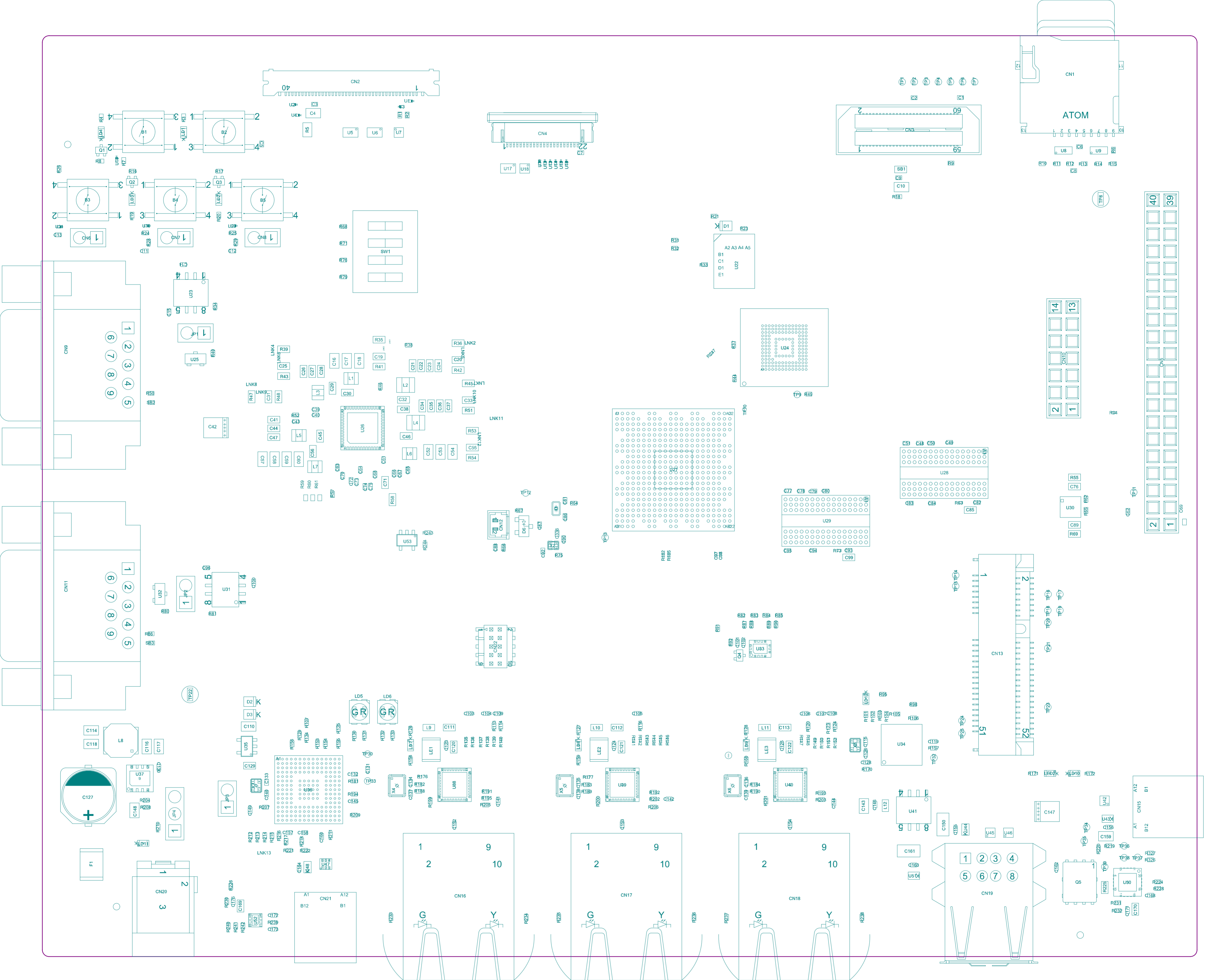


5V_STLK OVERCURRENT PROTECTION MANAGEMENT

	T_PWR_SEL2/PD5	T_PWR_SEL1/PD4
PowerDefault.SNK (current limit: 550mA)	Hi-Z	Hi-Z
Power1.5.SNK (current limit: 1.66A)	Hi-Z	0
Power3.0.SNK (current limit: 3.2A)	0	0

Hi-Z = IO set in high impedance





Project: STM32MP257F-EV1

Layer: M14-Top Assembly

Variant: MP257F_X

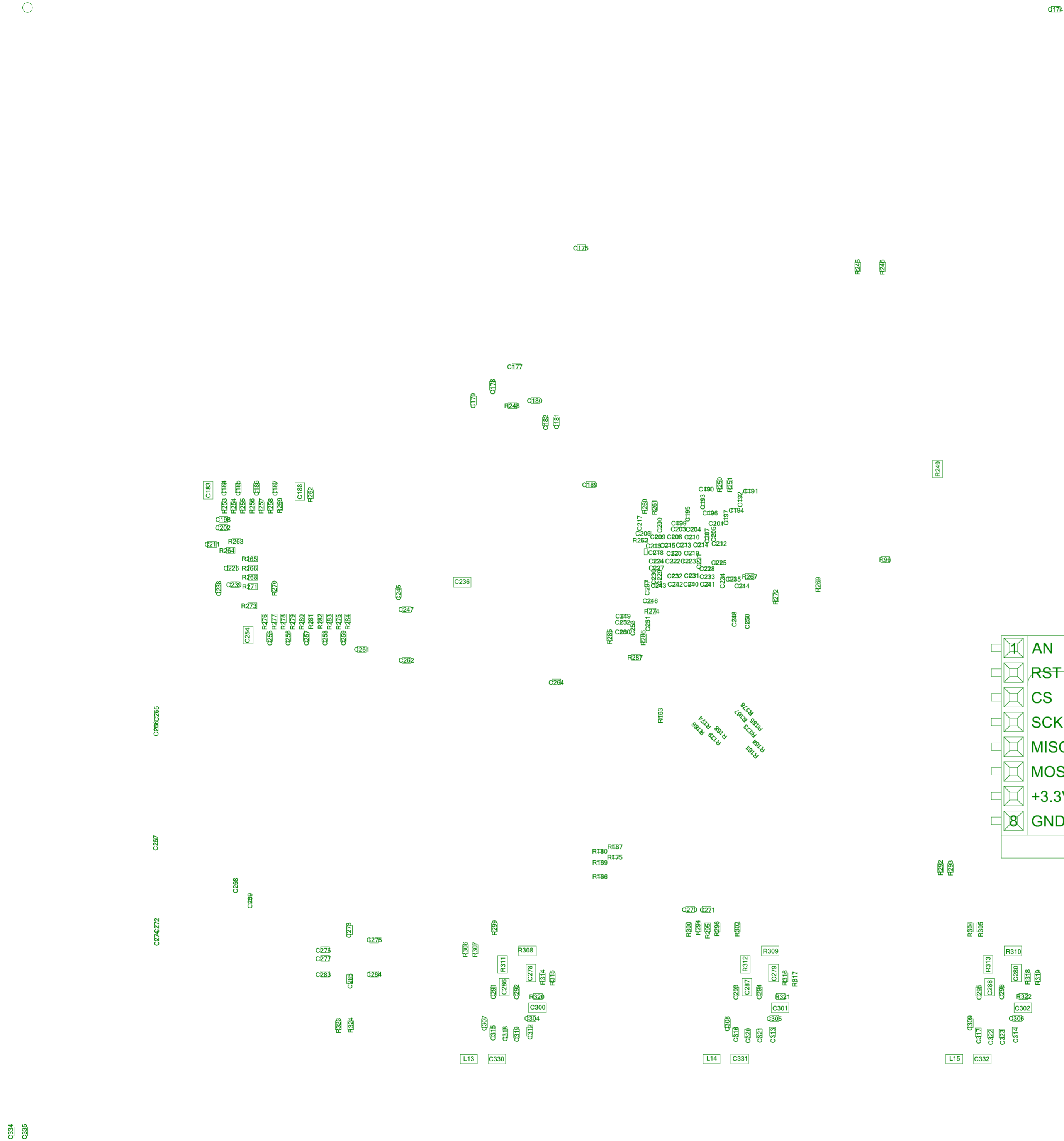
Date: 16-MAY-24


Gerber: .GM14

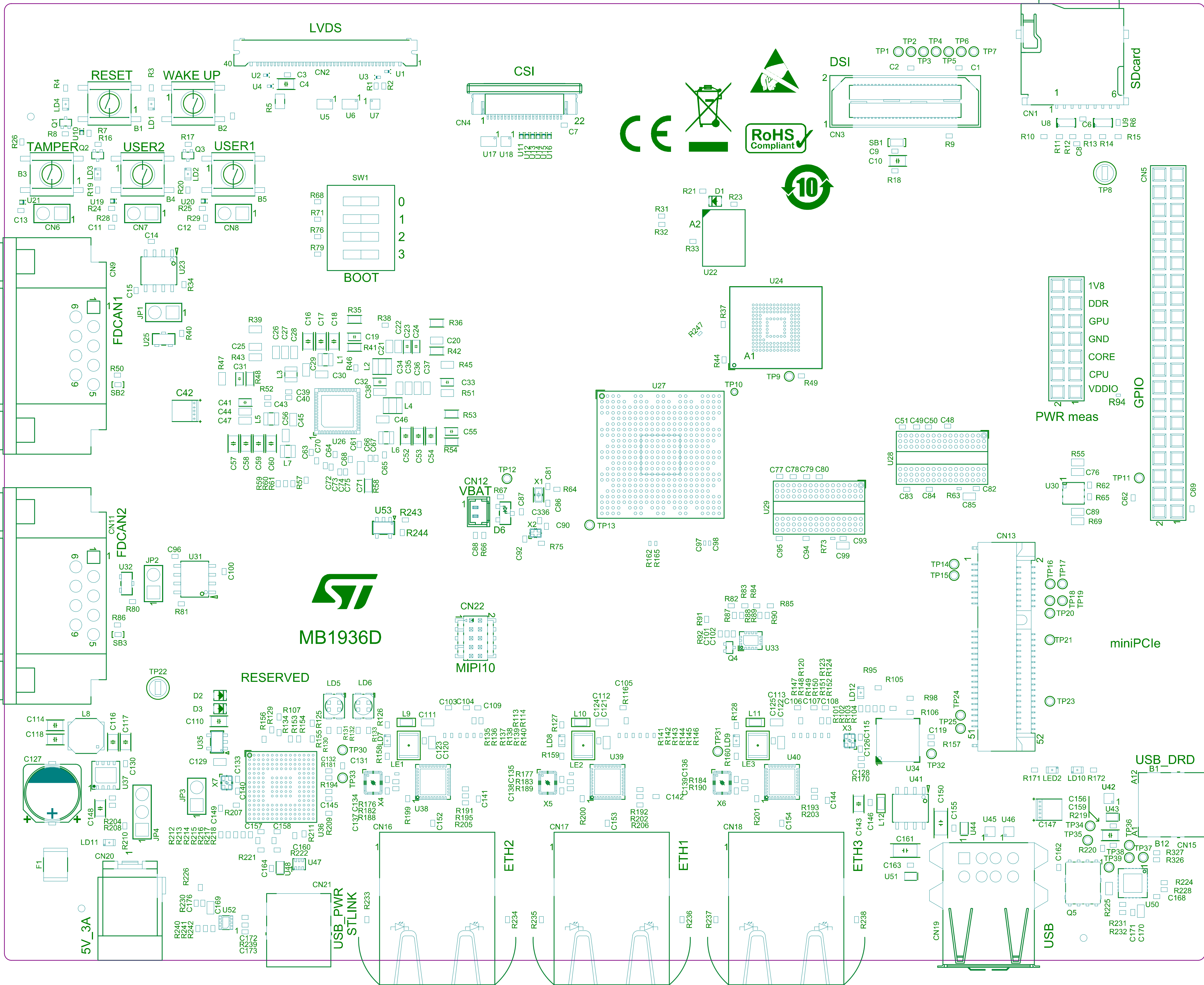
Ref: MB1936

Rev: D





Project: STM32MP257F-EV1		
Layer: M15-Bottom Assembly	Gerber: .GM15	
Variant: MP257F_X	Ref: MB1936	
Date: 16-MAY-24	Rev: D	



C334 □
C335 □

C274 □ = C272
C266 □ = C265

C267 □

C269 □ = C268

C276 □ □
C277 □ □
C283 □ □
C285 □ □
C284 □ □
R323 □ □
R324 □ □

L13 □ C330 □
C307 □ R306 □
C315 □ C286 □
C292 □ R307 □
R311 □ R308 □
R312 □ R314 □
R315 □
C278 □
R320 □
C300 □
C304 □
C318 □
C319 □
C312 □

L14 □ C331 □
C316 □
C320 □
C321 □
C313 □
R300 □ C271 □
R304 □ R296 □
R298 □ R306 □
C293 □
C287 □ R295 □
C294 □ R312 □
R302 □
R309 □
C279 □
R316 □
R317 □
C301 □
R321 □
C305 □

L15 □ C332 □
C317 □
C322 □
C323 □
C314 □
C295 □
C288 □
C296 □
C309 □
R304 □
R305 □
R313 □
R310 □
R311 □
R312 □
R313 □
R314 □
R315 □
R316 □
R317 □
R318 □
R319 □
C280 □
C302 □
C306 □
C322 □
C308 □

C310 □ C298 □
C325 □ C311 □
C326 □ C290 □
C327 □ C281 □
C324 □ C282 □
C328 □ C289 □
C303 □ C297 □
C299 □
C329 □
TP27 □ TP26 □
TP29 □ TP28 □

C175 □

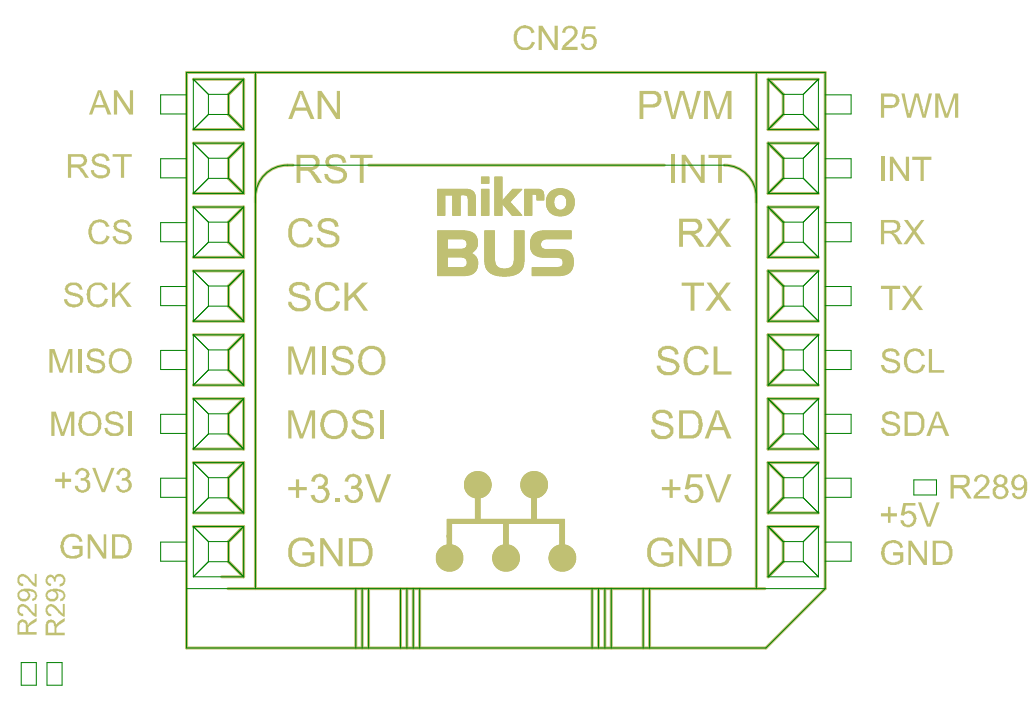
R245 □
R246 □

C174 □



R249 □

R96 □



R292 □
R283 □

R304 □
R305 □

C295 □
C288 □
C296 □
C309 □
R313 □
R310 □
R311 □
R312 □
R313 □
R314 □
R315 □
R316 □
R317 □
R318 □
R319 □
C280 □
C302 □
C306 □
C322 □
C308 □

CN25

AN □ AN □ PWM □ PWM □
RST □ RST □ INT □ INT □
CS □ CS □ RX □ RX □
SCK □ SCK □ TX □ TX □
MISO □ MISO □ SCL □ SCL □
MOSI □ MOSI □ SDA □ SDA □
+3.3V □ +3.3V □ +5V □ +5V □
GND □ GND □ GND □ GND □

mikroBUS

R289 □