

MiniBoard_WL3x_QFN48_SMPS_SMA

MB2029

Table of contents

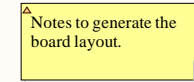
- Sheet 1: Project overview (this page)
- Sheet 2: Top
- Sheet 3: STM32 microcontroller I/Os
- Sheet 4: Supply
- Sheet 5 : RF front-end

Legend

General comment such as function title, configuration, ...

Text to be added to silkscreen.

Warning text.



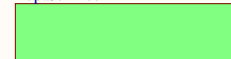
Open Platform License Agreement

The Open Platform License Agreement (“Agreement”) is a binding legal contract between you (“You”) and STMicroelectronics International N.V. (“ST”), a company incorporated under the laws of the Netherlands acting for the purpose of this Agreement through its Swiss branch 39, Chemin du Champ des Filles, 1228 Plan-les-Ouates, Geneva, Switzerland.

By using the enclosed reference designs, schematics, PC board layouts, and documentation, in hardcopy or CAD tool file format (collectively, the “Reference Material”), You are agreeing to be bound by the terms and conditions of this Agreement. Do not use the Reference Material until You have read and agreed to this Agreement terms and conditions. The use of the Reference Material automatically implies the acceptance of the Agreement terms and conditions.

The complete Open Platform License Agreement can be found on www.st.com/opla.

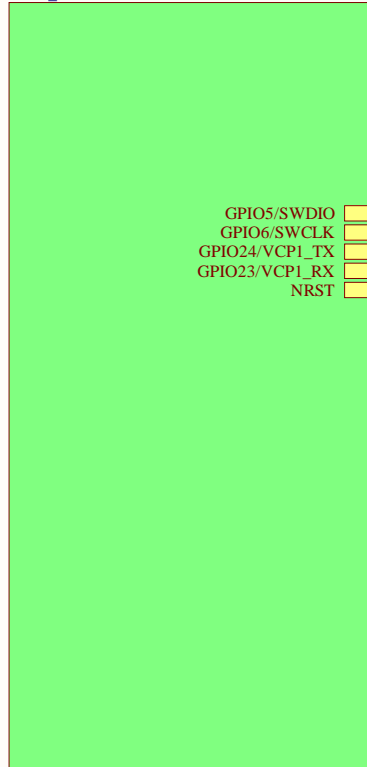
U_Top
Top.SchDoc



Title: Project Overview		
Project: MiniBoard_WL3x_QFN48_SMPS_SMA		
Variant: Highband		
Revision: B-02		Reference: MB2029
Size: A4	Date: 2024-JULY-01	Sheet: 1 of 5

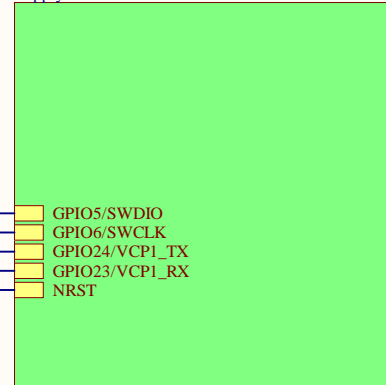


Designator
MCU_IOs.SchDoc



GPIO5/SWDIO
GPIO6/SWCLK
GPIO24/VCP1_TX
GPIO23/VCP1_RX
NRST

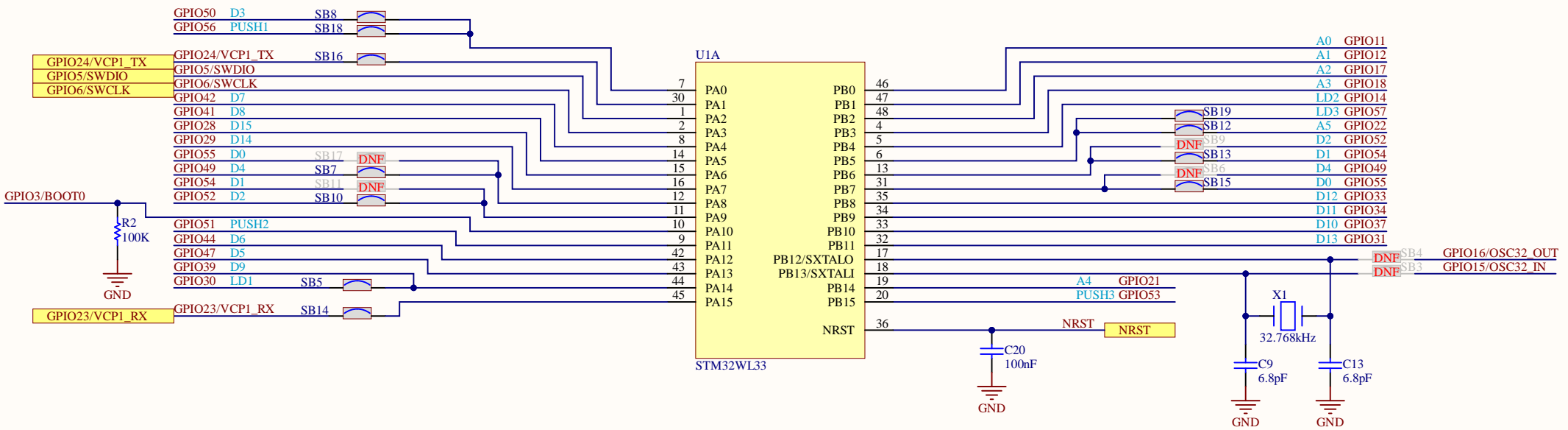
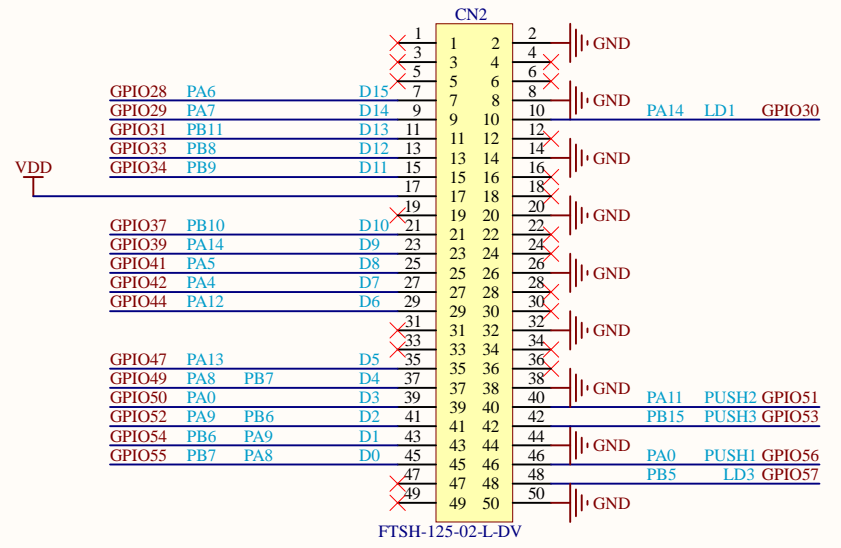
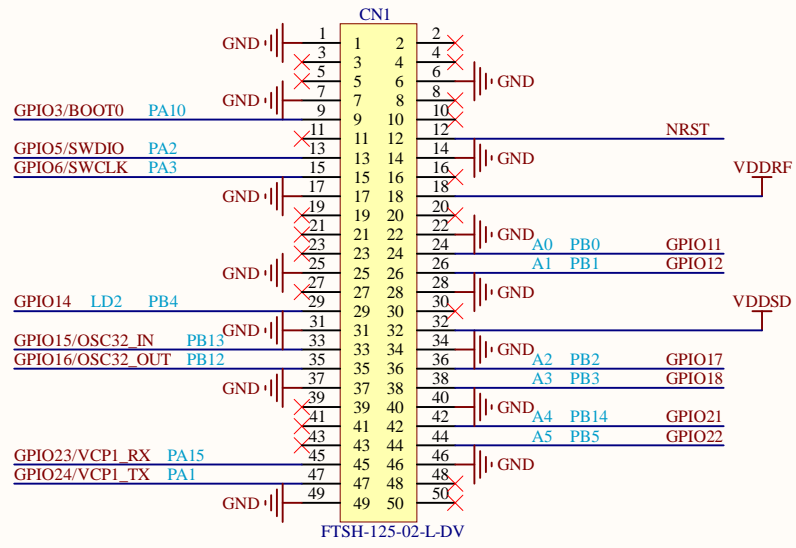
Designator
Supply.SchDoc

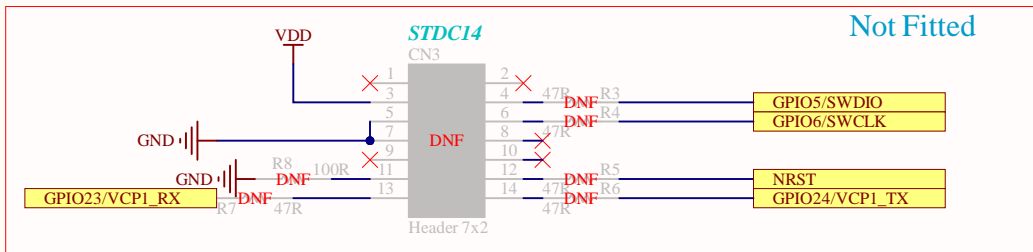
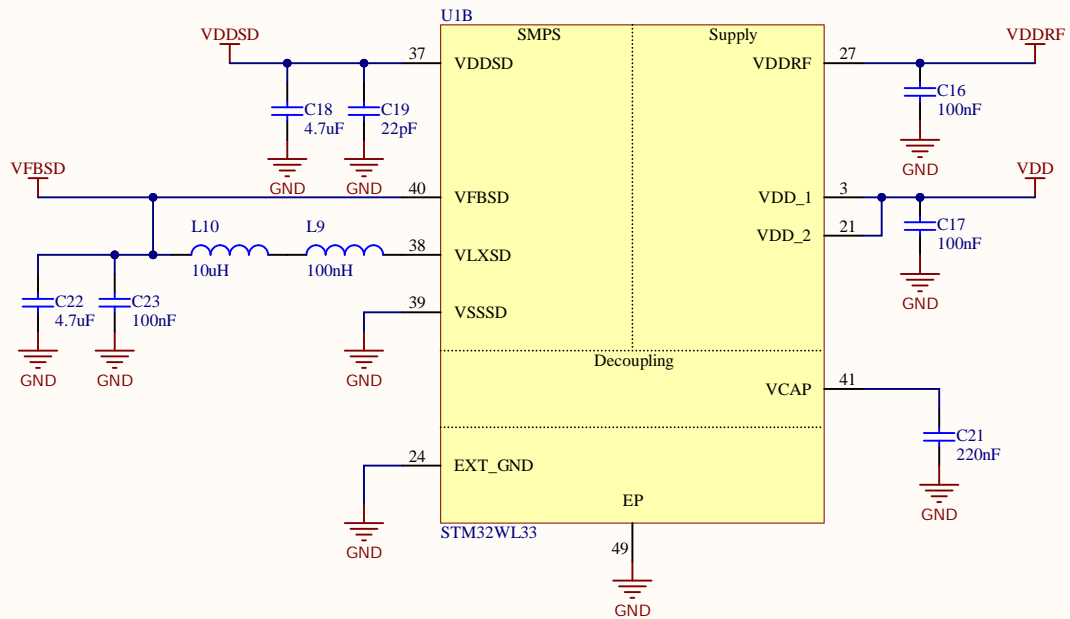


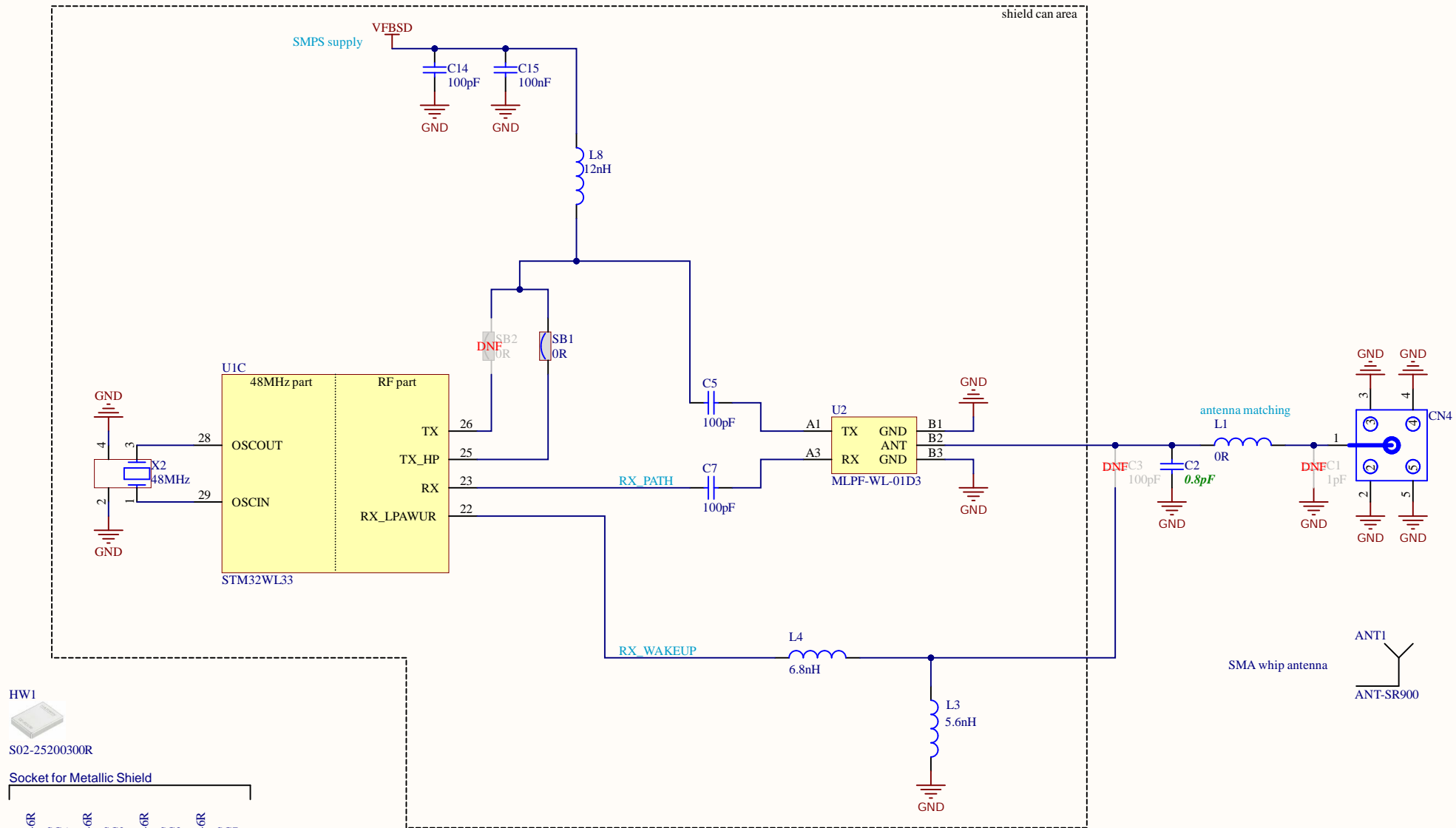
GPIO5/SWDIO
GPIO6/SWCLK
GPIO24/VCP1_TX
GPIO23/VCP1_RX
NRST

Designator
RF.SchDoc

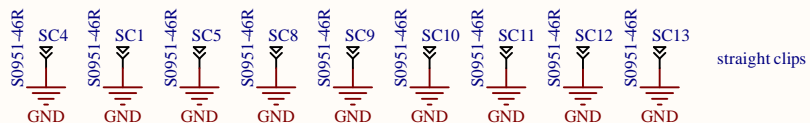
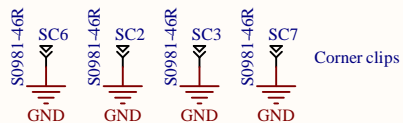






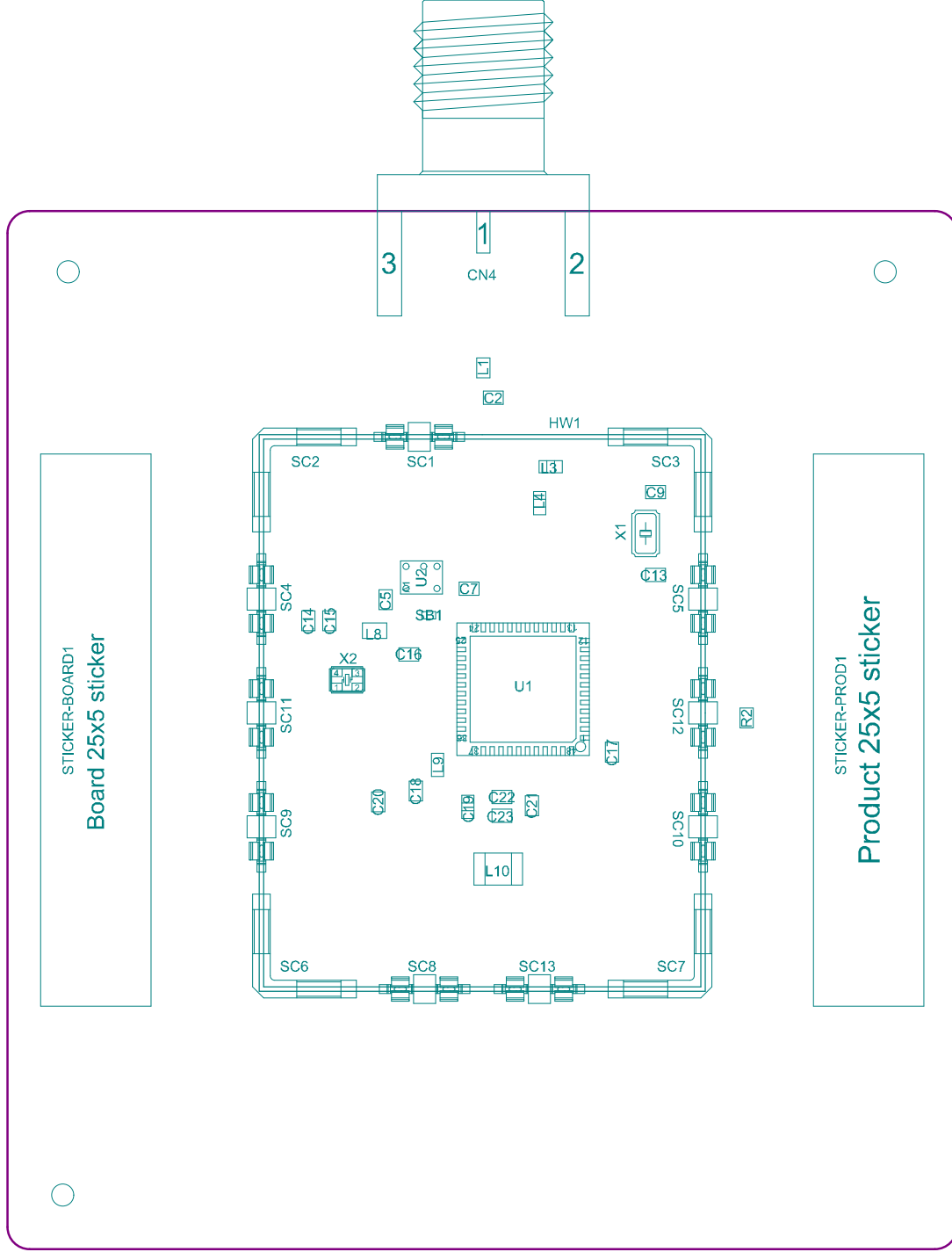


Socket for Metallic Shield



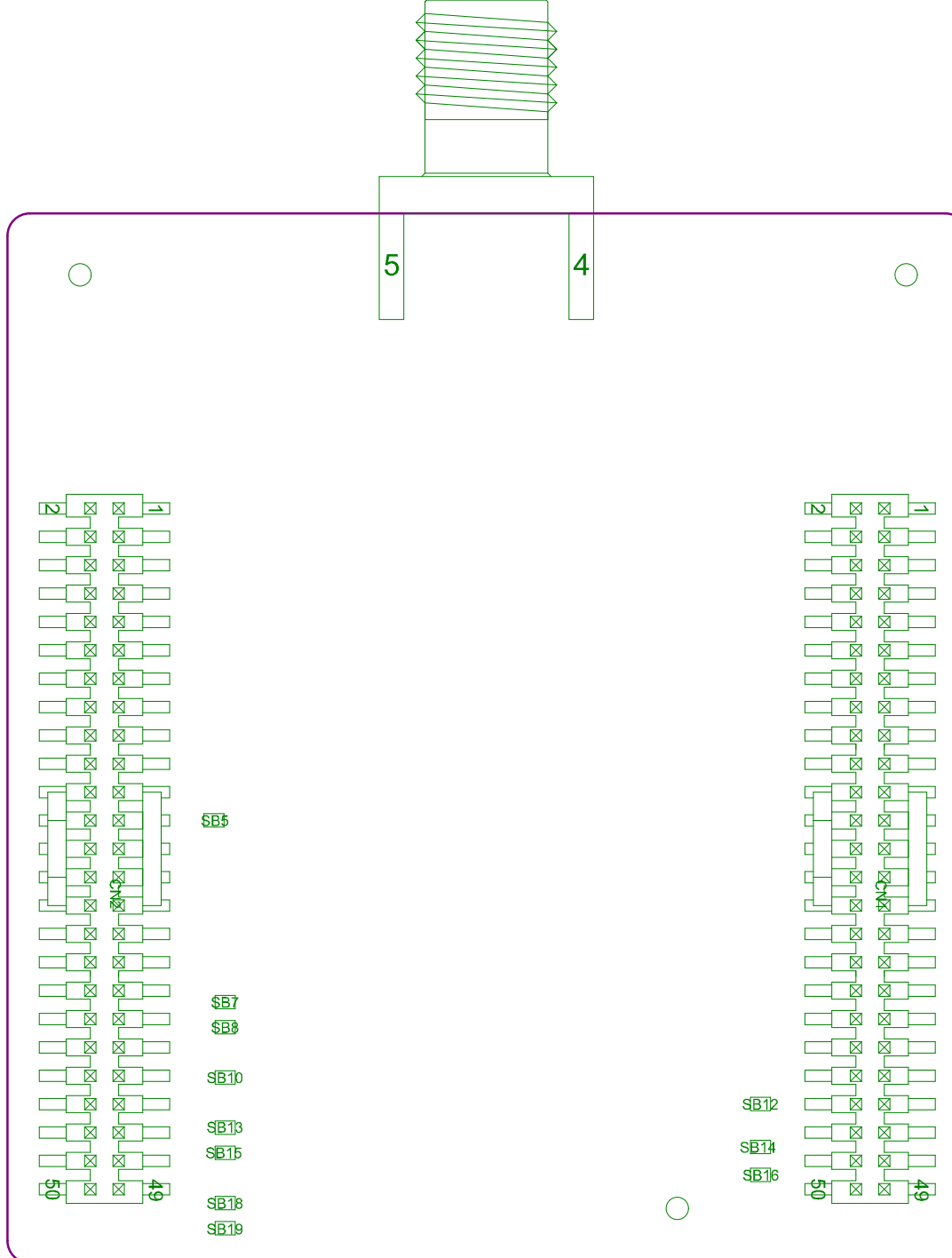
Title: STM32 RF		
Project: MiniBoard_WL3x_QFN48_SMPS_SMA		
Variant: Highband		
Revision: B-02		Reference: MB2029
Size: A4	Date: 2024-JULY-01	Sheet: 5 of 5





Project: MiniBoard_WL3x_QFN48_SMPS_SMA	
Layer: M14-Top Assembly	Gerber: .GM14
Variant: Highband	Ref: MB2029
Date: 2024-JULY-01	Rev: B





Project: MiniBoard_WL3x_QFN48_SMPS_SMA

Layer: M15-Bottom Assembly

Gerber:.GM15

Variant: Highband

Ref: MB2029

Date: 2024-JULY-01

Rev: B

