

# MiniBoard\_WL3x\_QFN48\_SMPS\_SMA

---

MB2029

---

## Table of contents

---

- Sheet 1: Project overview (this page)
- Sheet 2: Top
- Sheet 3: STM32 microcontroller I/Os
- Sheet 4: Supply
- Sheet 5 : RF front-end

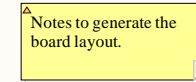
## Legend

---

General comment such as function title, configuration, ...

Text to be added to silkscreen.

Warning text.



## Open Platform License Agreement

---

The Open Platform License Agreement (“Agreement”) is a binding legal contract between you (“You”) and STMicroelectronics International N.V. (“ST”), a company incorporated under the laws of the Netherlands acting for the purpose of this Agreement through its Swiss branch 39, Chemin du Champ des Filles, 1228 Plan-les-Ouates, Geneva, Switzerland.

By using the enclosed reference designs, schematics, PC board layouts, and documentation, in hardcopy or CAD tool file format (collectively, the “Reference Material”), You are agreeing to be bound by the terms and conditions of this Agreement. Do not use the Reference Material until You have read and agreed to this Agreement terms and conditions. The use of the Reference Material automatically implies the acceptance of the Agreement terms and conditions.

The complete Open Platform License Agreement can be found on [www.st.com/opla](http://www.st.com/opla).

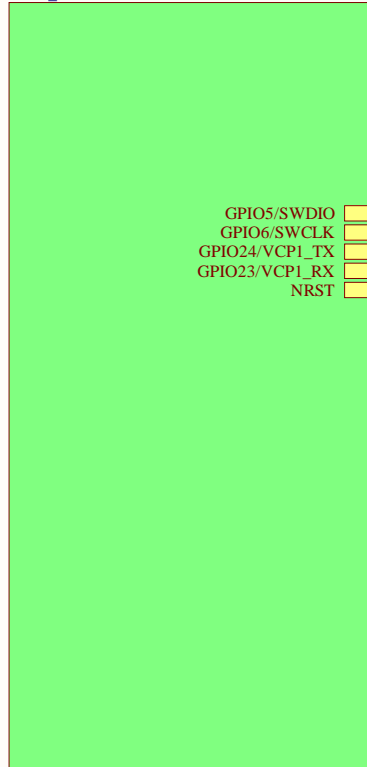
U\_Top  
Top.SchDoc



Title: <b>Project Overview</b>		
Project: <b>MiniBoard_WL3x_QFN48_SMPS_SMA</b>		
Variant: Lowband		
Revision: B-01		Reference: MB2029
Size: A4	Date: 2024-JAN-31	Sheet: 1 of 5

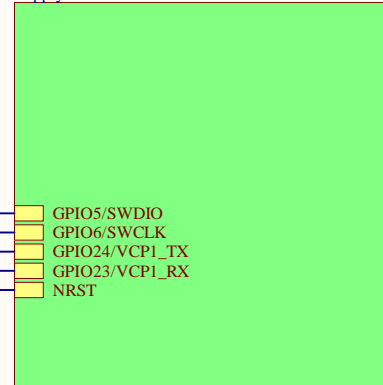


Designator  
MCU\_IOs.SchDoc



GPIO5/SWDIO  
GPIO6/SWCLK  
GPIO24/VCP1\_TX  
GPIO23/VCP1\_RX  
NRST

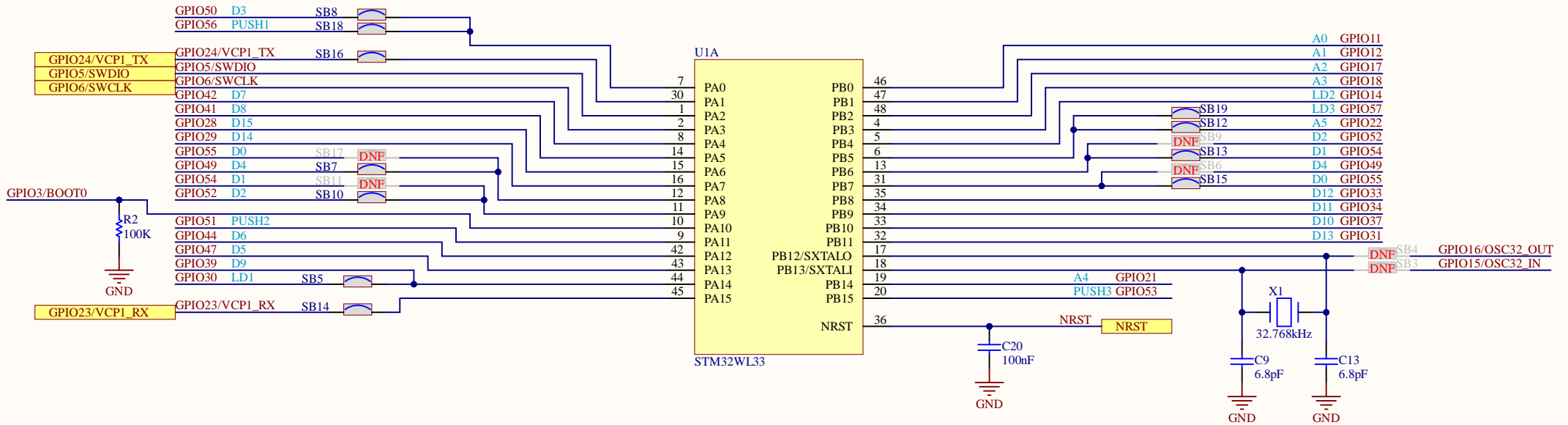
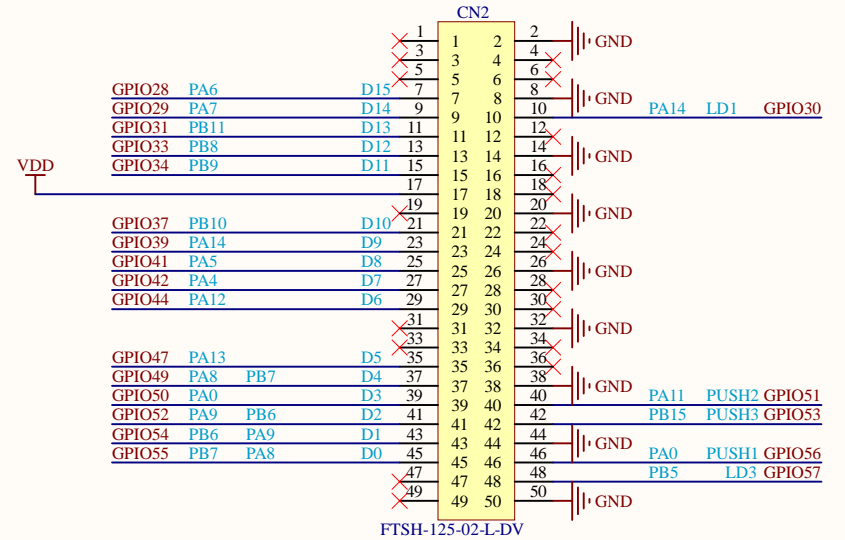
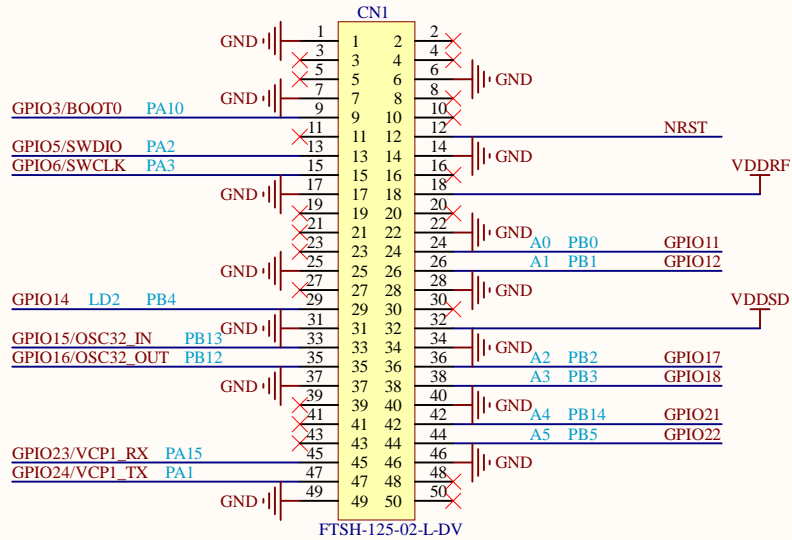
Designator  
Supply.SchDoc

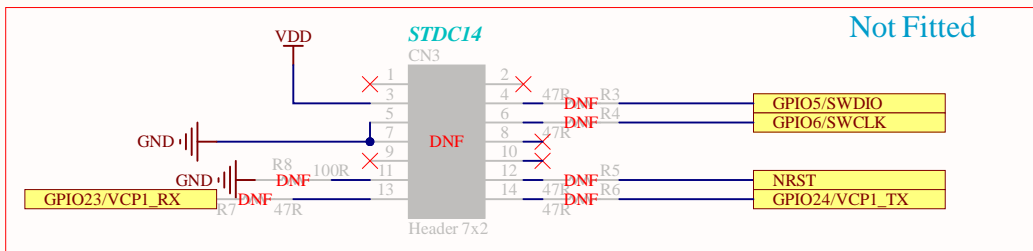
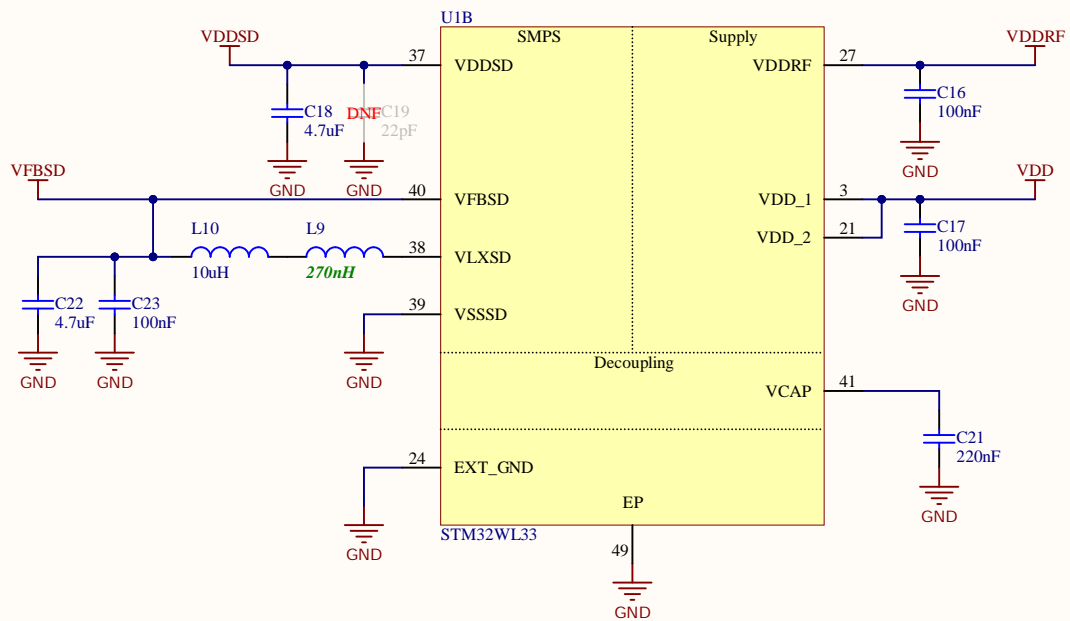


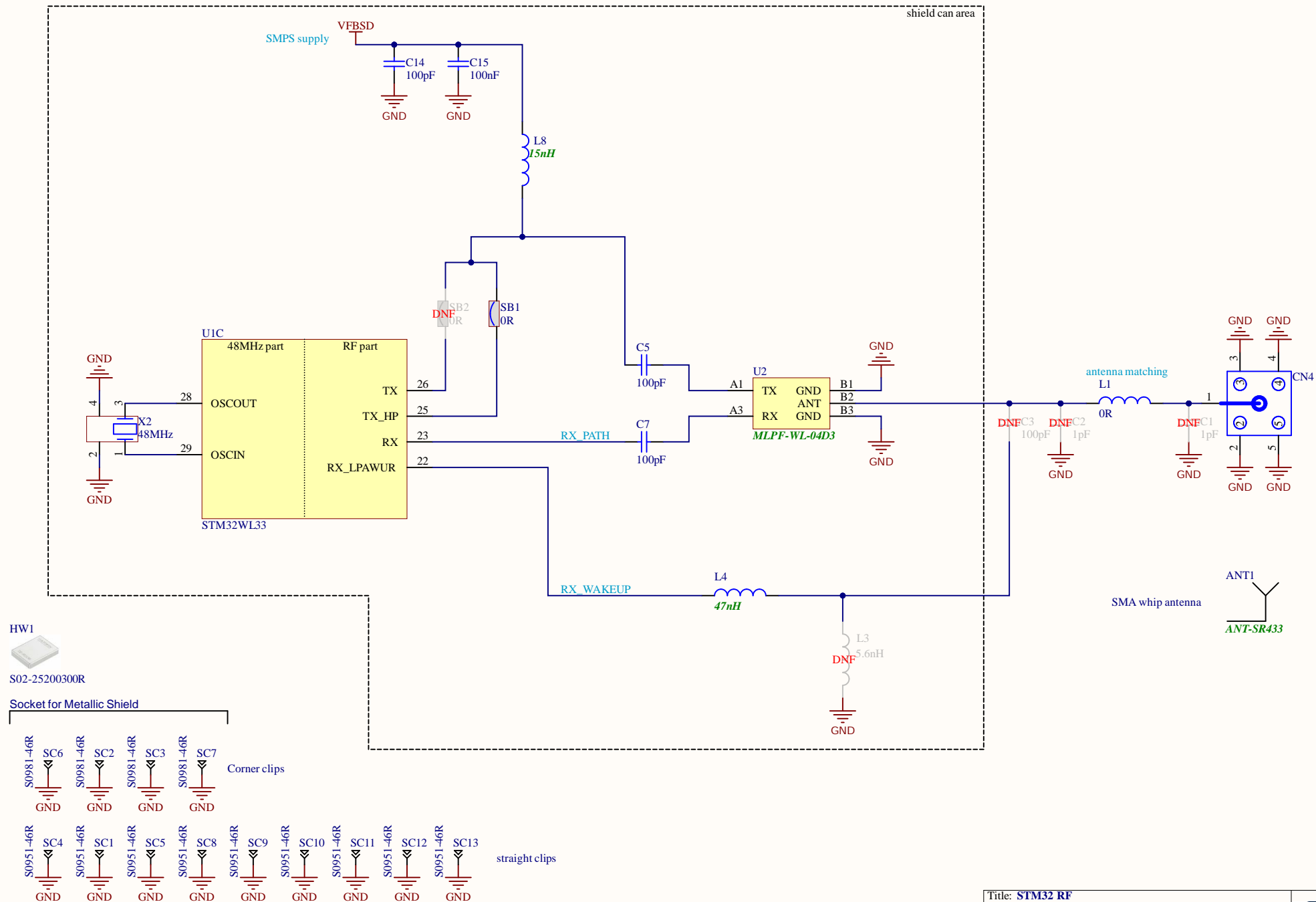
GPIO5/SWDIO  
GPIO6/SWCLK  
GPIO24/VCP1\_TX  
GPIO23/VCP1\_RX  
NRST


Designator  
RF.SchDoc

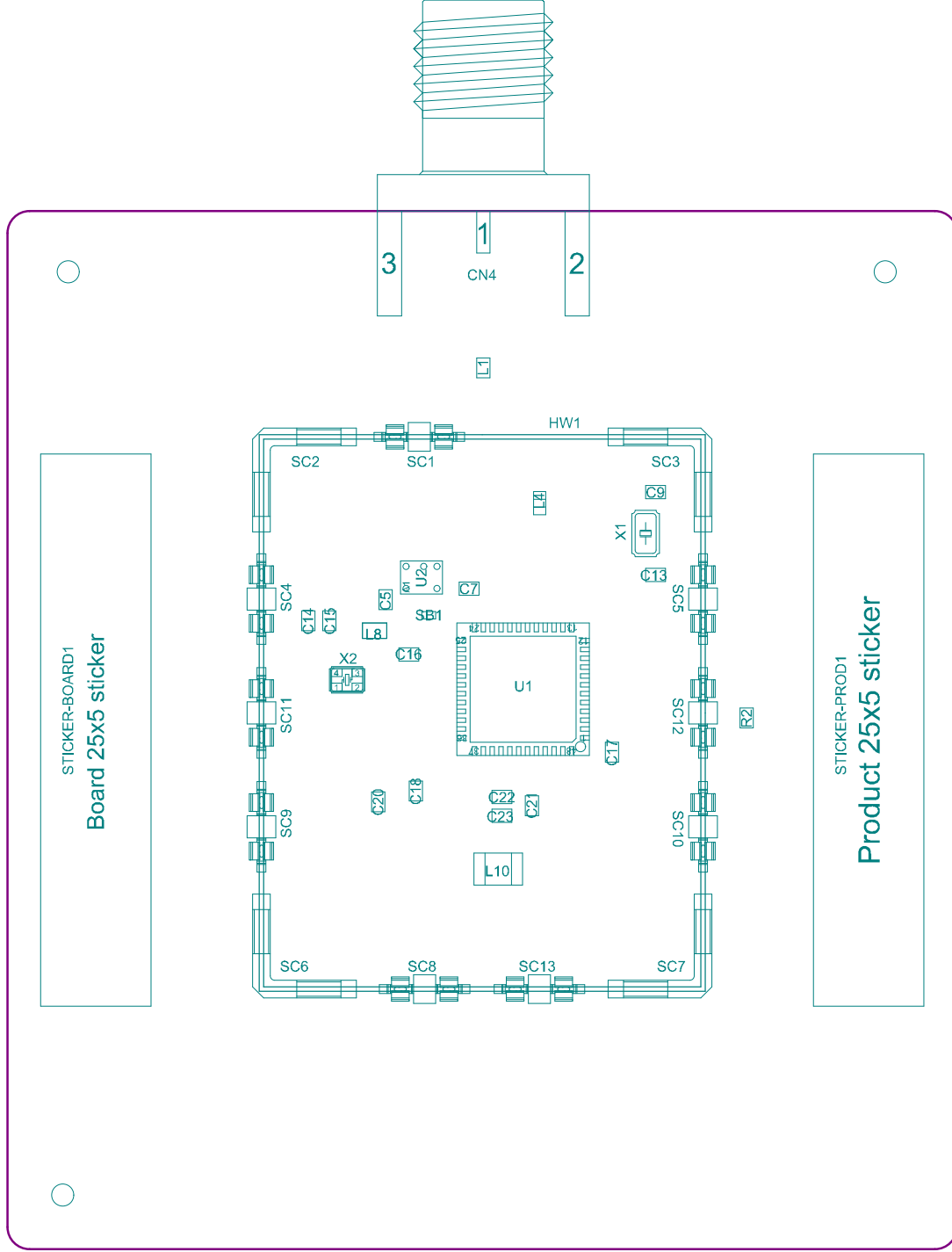






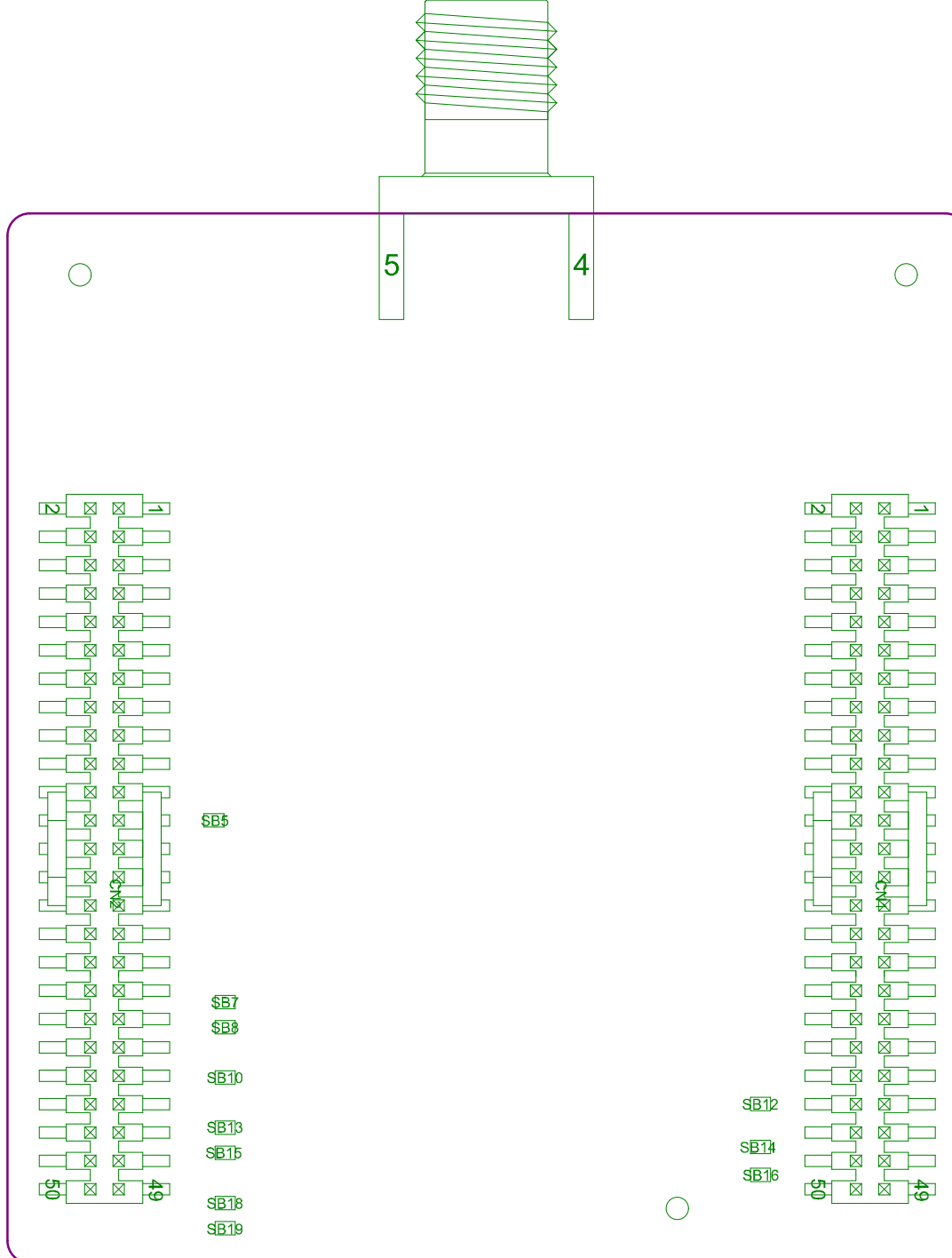


Title: STM32 RF		
Project: MiniBoard_WL3x_QFN48_SMPS_SMA		
Variant: Lowband		
Revision: B-01		
Reference: MB2029		
Size: A4	Date: 2024-JAN-31	Sheet: 5 of 5



Project: MiniBoard_WL3x_QFN48_SMPS_SMA	
Layer: M14-Top Assembly	Gerber: .GM14
Variant: Lowband	Ref: MB2029
Date: 2024-JAN-31	Rev: B





Project: MiniBoard\_WL3x\_QFN48\_SMPS\_SMA

Layer: M15-Bottom Assembly

Gerber:.GM15

Variant: Lowband

Ref: MB2029

Date: 2024-JAN-31

Rev: B

