

RF Miniboard for BlueNRG

MB2032

Table of contents

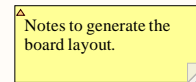
- Sheet 1: Project overview (this page)
- Sheet 2: Top
- Sheet 3: MCU
- Sheet 4: RF
- Sheet 5: Power Supply
- Sheet 6: Connectors

Legend

General comment such as function title, configuration, ...

Text to be added to silkscreen.

Warning text.



Open Platform License Agreement

The Open Platform License Agreement (“Agreement”) is a binding legal contract between you (“You”) and STMicroelectronics International N.V. (“ST”), a company incorporated under the laws of the Netherlands acting for the purpose of this Agreement through its Swiss branch 39, Chemin du Champ des Filles, 1228 Plan-les-Ouates, Geneva, Switzerland.

By using the enclosed reference designs, schematics, PC board layouts, and documentation, in hardcopy or CAD tool file format (collectively, the “Reference Material”), You are agreeing to be bound by the terms and conditions of this Agreement. Do not use the Reference Material until You have read and agreed to this Agreement terms and conditions. The use of the Reference Material automatically implies the acceptance of the Agreement terms and conditions.

The complete Open Platform License Agreement can be found on www.st.com/opla.

U_Top
Top.SchDoc



HW3

STICKER BOARD

Sticker board

HW2

STICKER PRODUCT

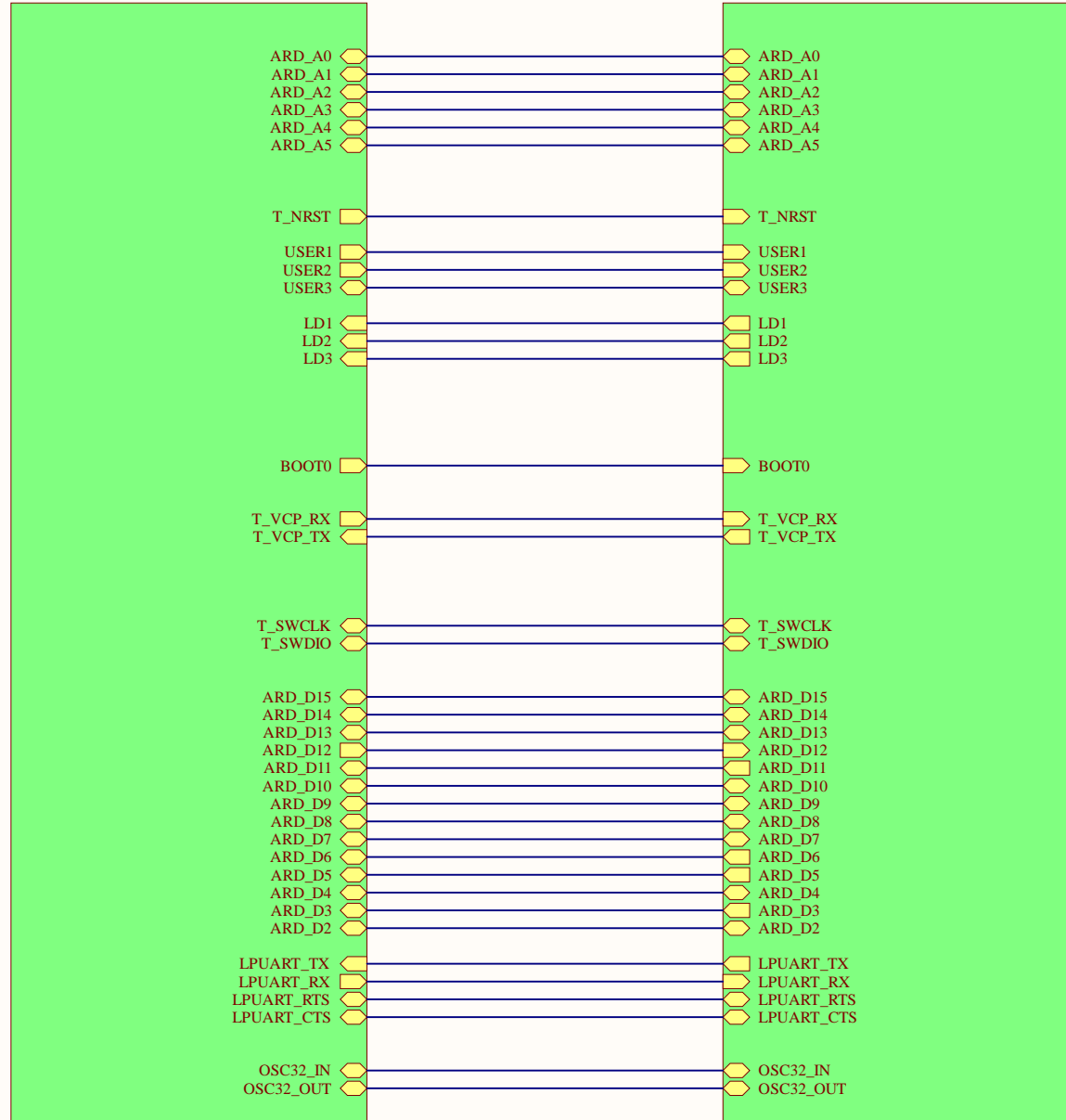
Sticker product

Title: Project Overview		
Project: RF Miniboard for BlueNRG		
Variant: WB05N		
Revision: B-01		Reference: MB2032
Size: A4	Date: 20 Jun 2024	Sheet: 1 of 6



U_Connectors
Connectors.SchDoc

U_MCU
MCU.SchDoc

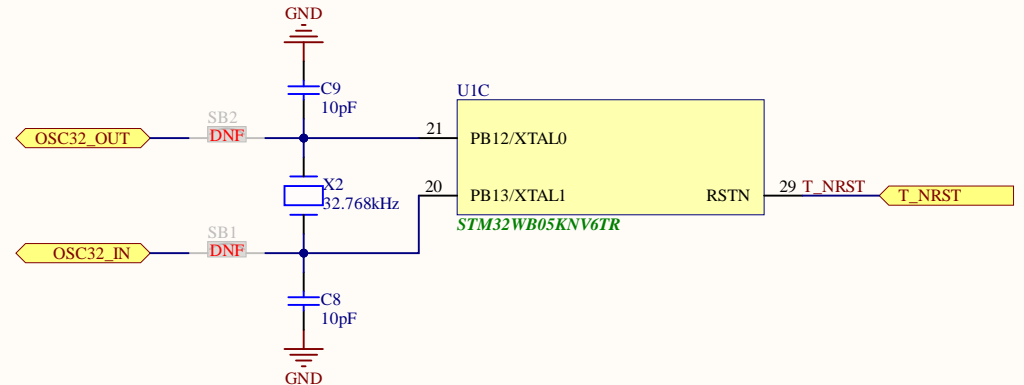
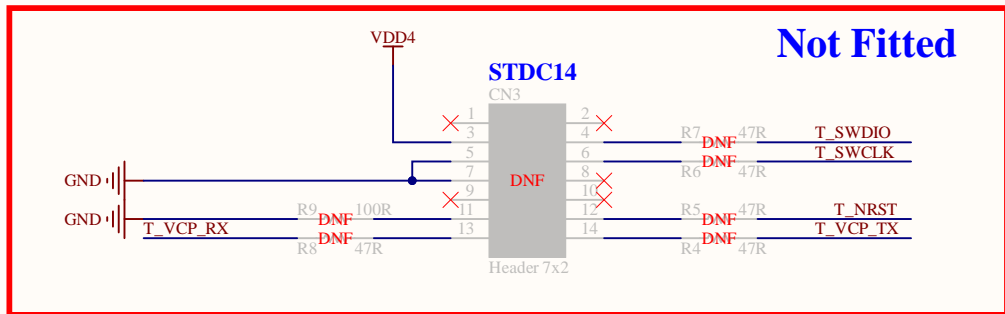
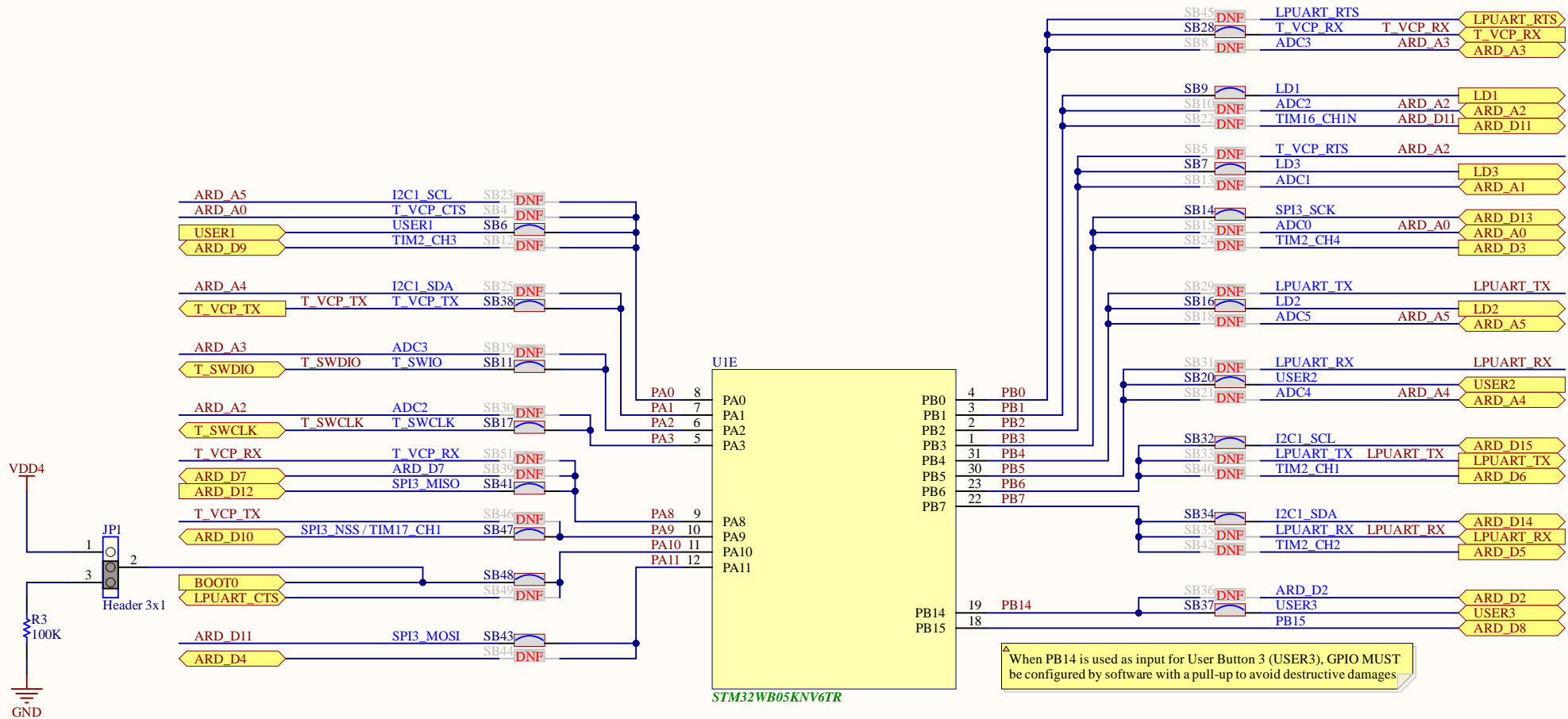


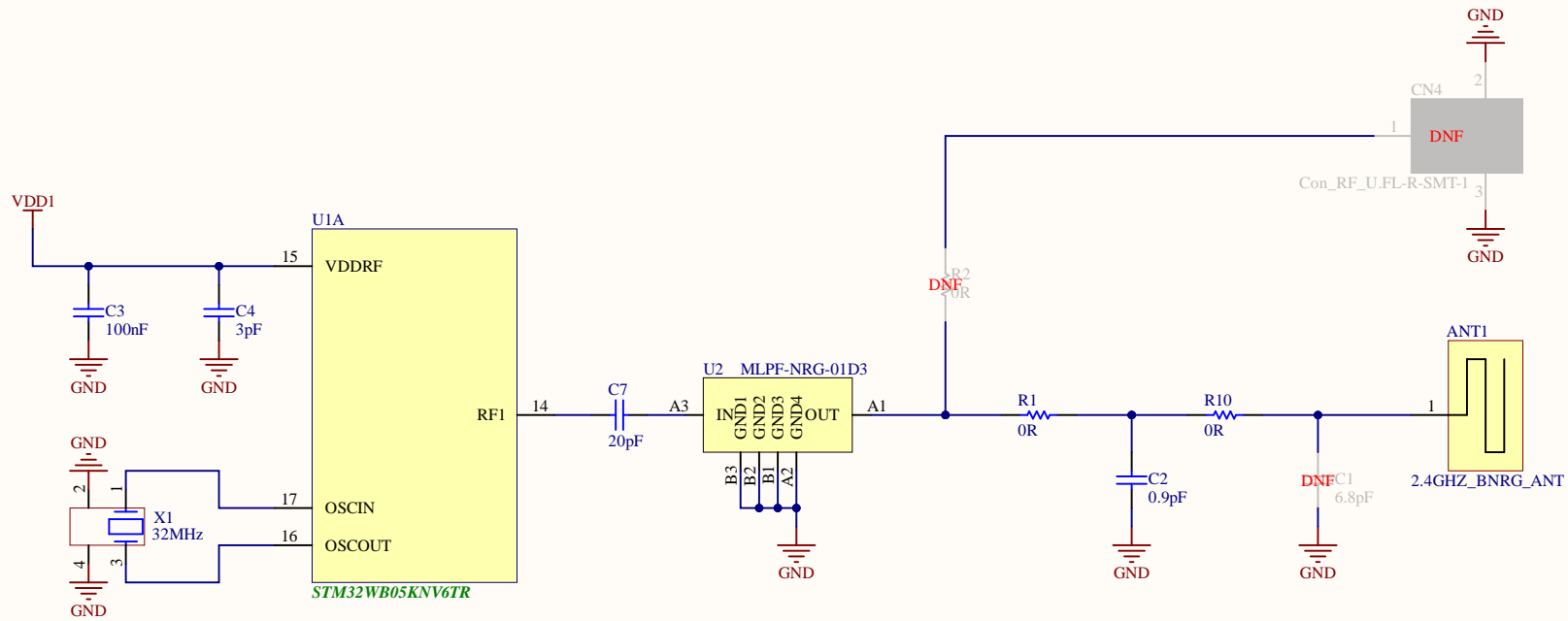
U_Power_Supply
Power_Supply.SchDoc



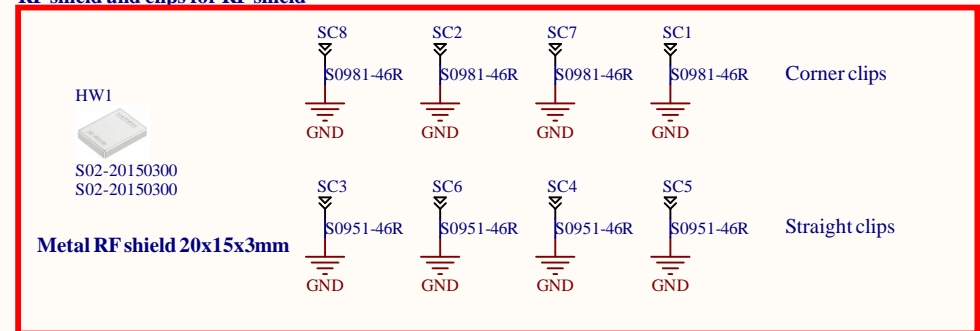
U_RF
RF.SchDoc



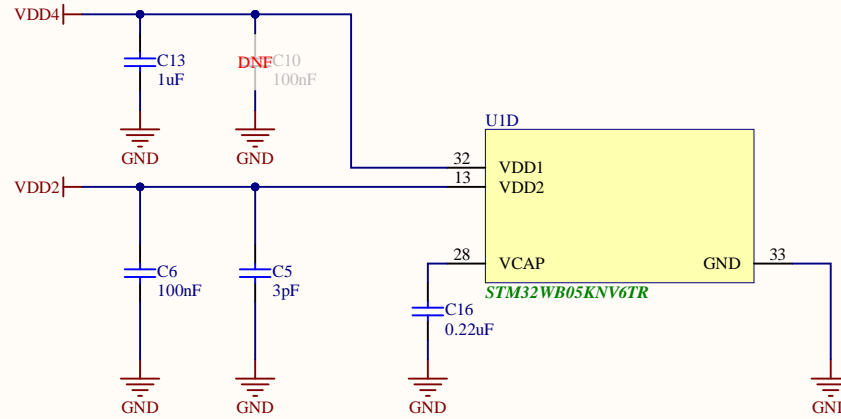
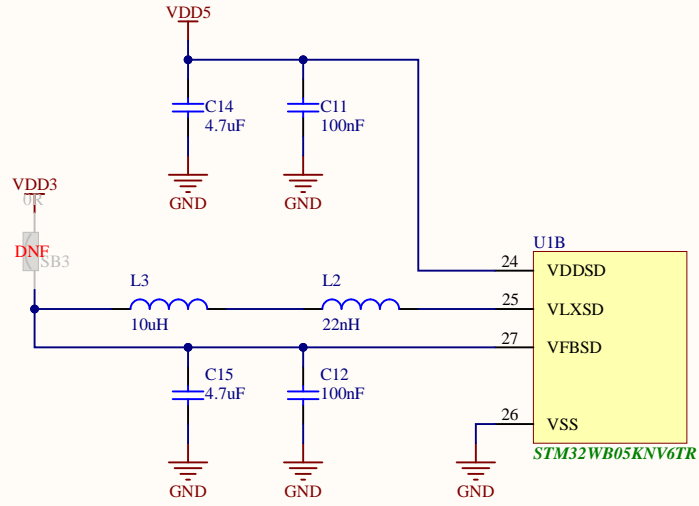


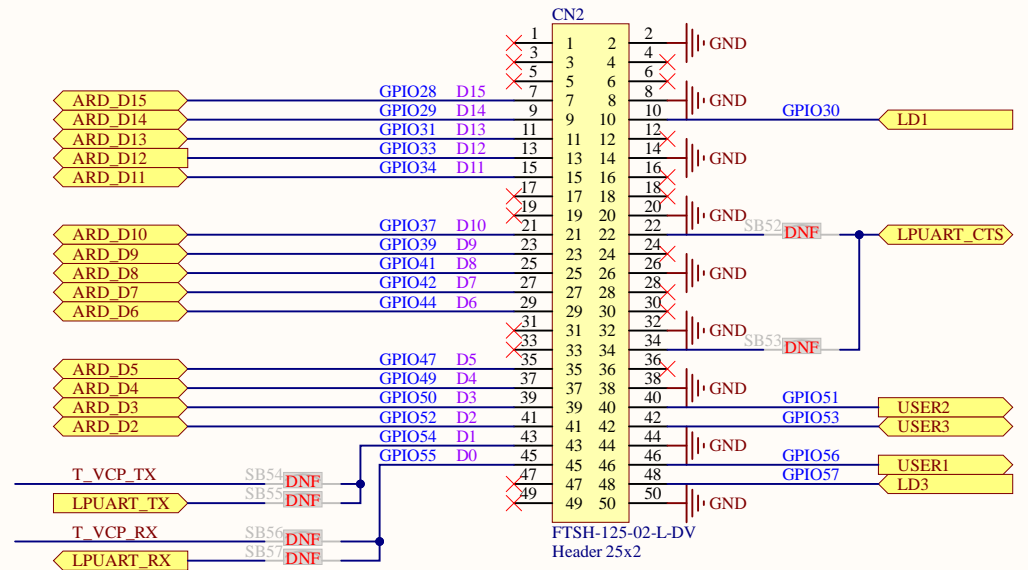
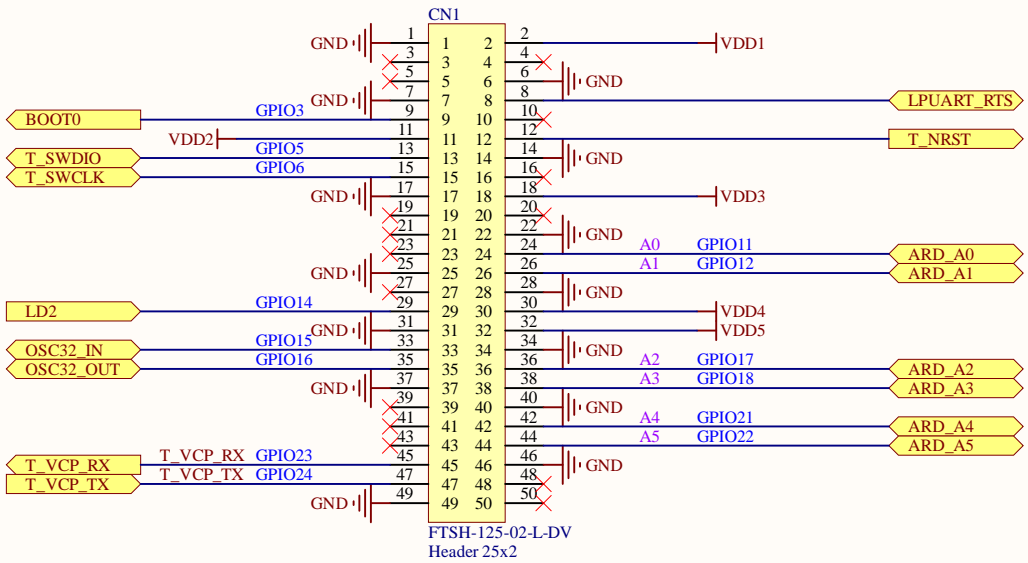


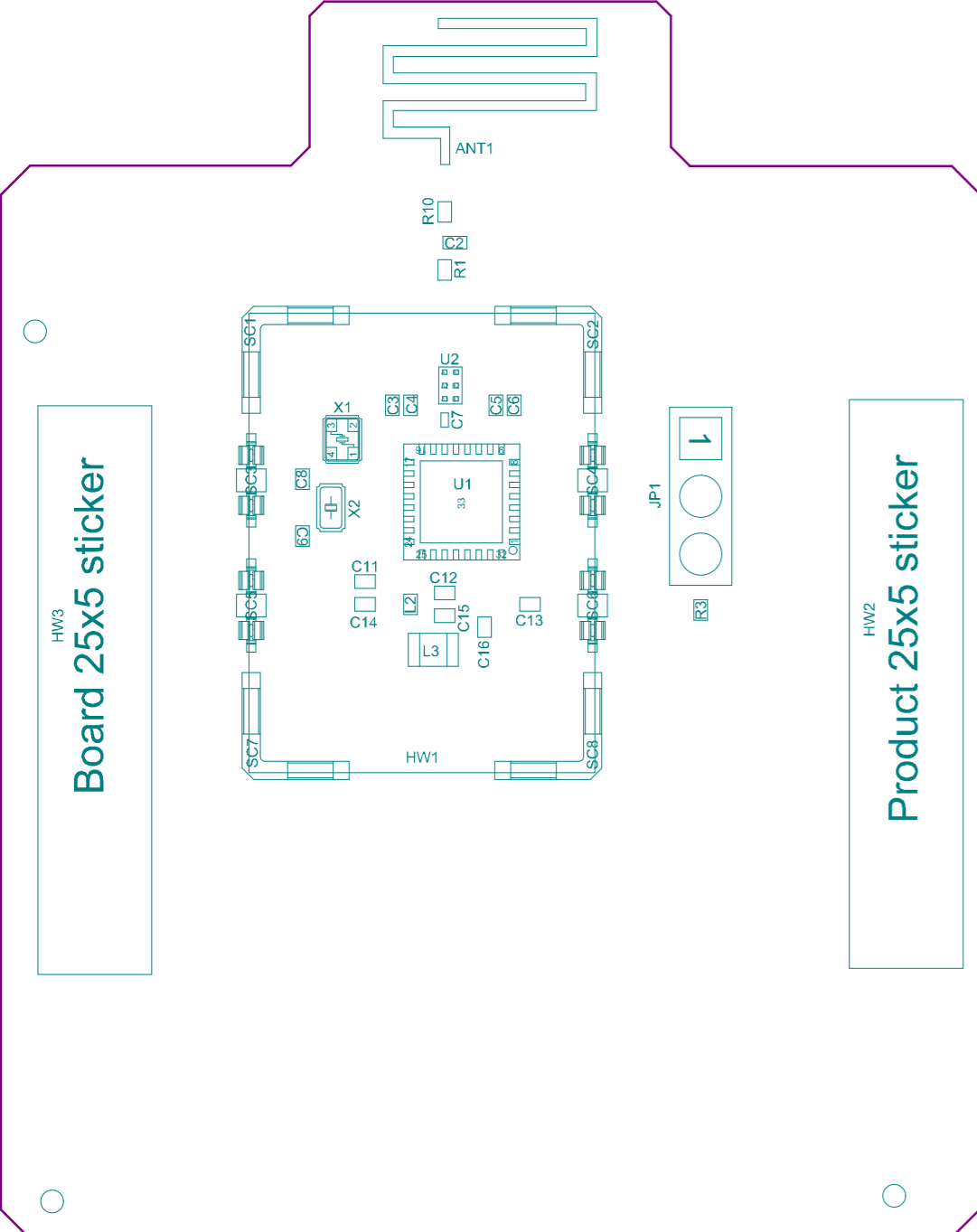
RF shield and clips for RF shield




Remove L3 and connect SB3 for SMPS OFF configuration

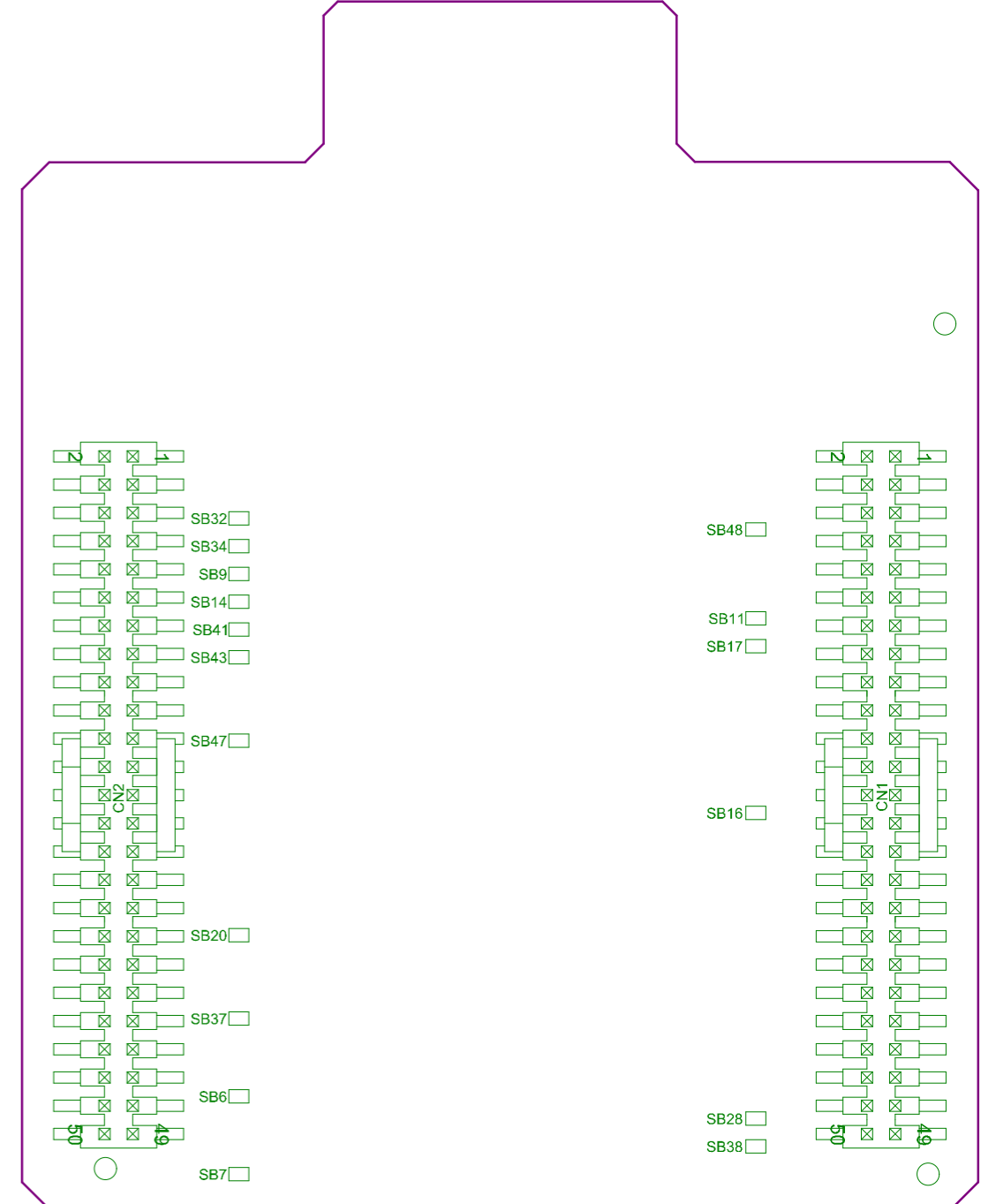


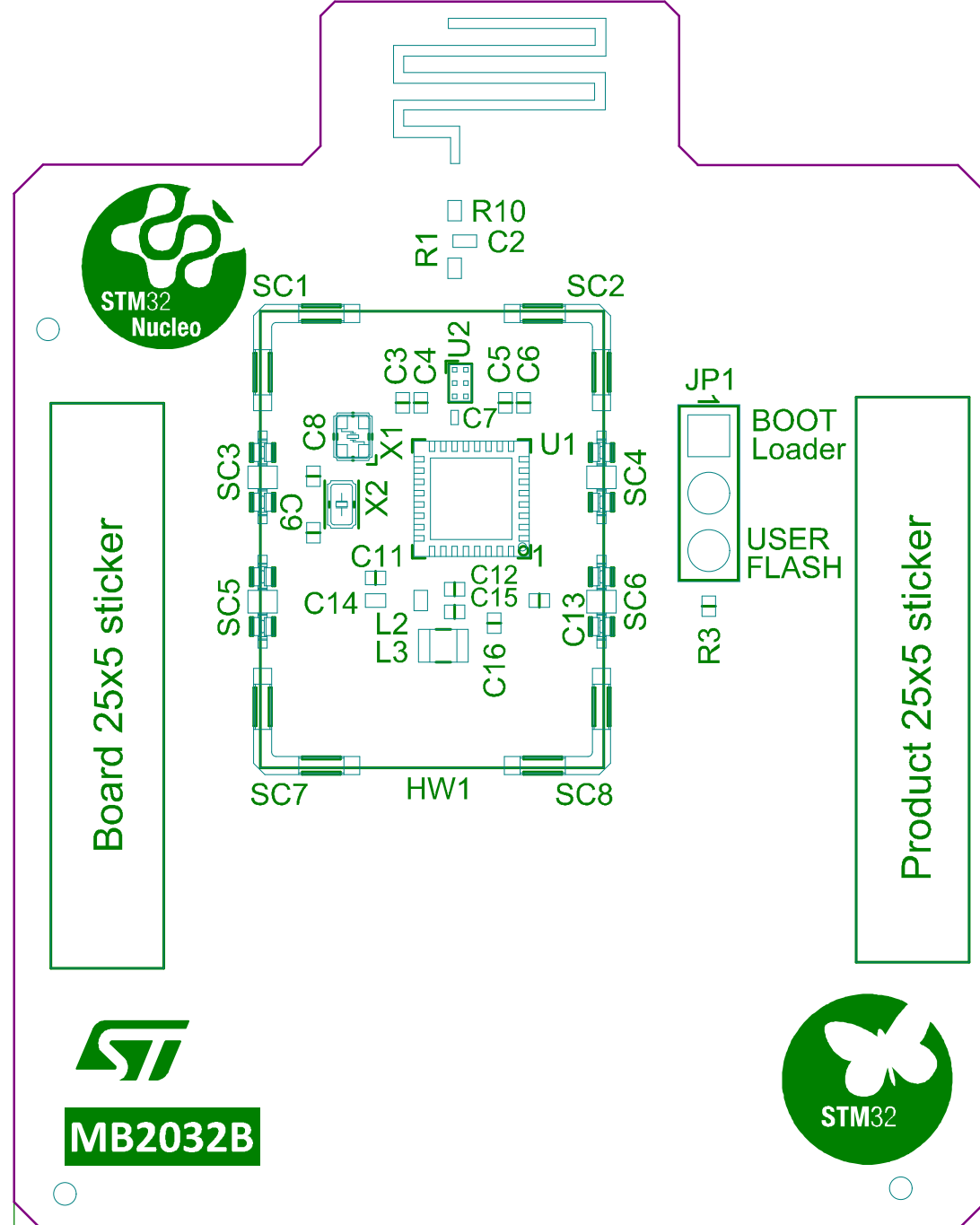




Project: RF Miniboard for BlueNRG		
Layer: M14-Top Assembly	Gerber: .GM14	
Variant: WB05N	Ref: MB2032	
Date: 20 Jun 2024	Rev: B	

Project: RF Miniboard for BlueNRG	
Layer: M15-Bottom Assembly	Gerber: .GM15
Variant: WB05N	Ref: MB2032
Date: 20 Jun 2024	Rev: B





Top Overlay

.GTO

