

NUCLEO-C071RB

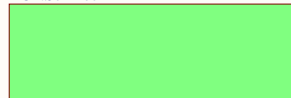
MB2046

Table of contents

- Sheet 1: Project overview (this page)
- Sheet 2: MB2046_Top
- Sheet 3: STM32_microcontroller_IOs
- Sheet 4: Connectors
- Sheet 5: USB-C_Device
- Sheet 6: FDCAN
- Sheet 7: Power
- Sheet 8: STLINK_V2EC

- HW1
STICKER PRODUCT
Sticker product
 - HW2
Sticker board
STICKER BOARD
 - HW5
PCB
- MB2046

U_TOP
TOP.SchDoc

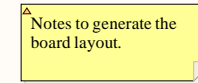


Legend

General comment such as function title, configuration, ...

Text to be added to silkscreen.

Warning text.



OPEN PLATFORM LICENSE AGREEMENT

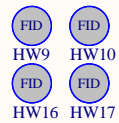
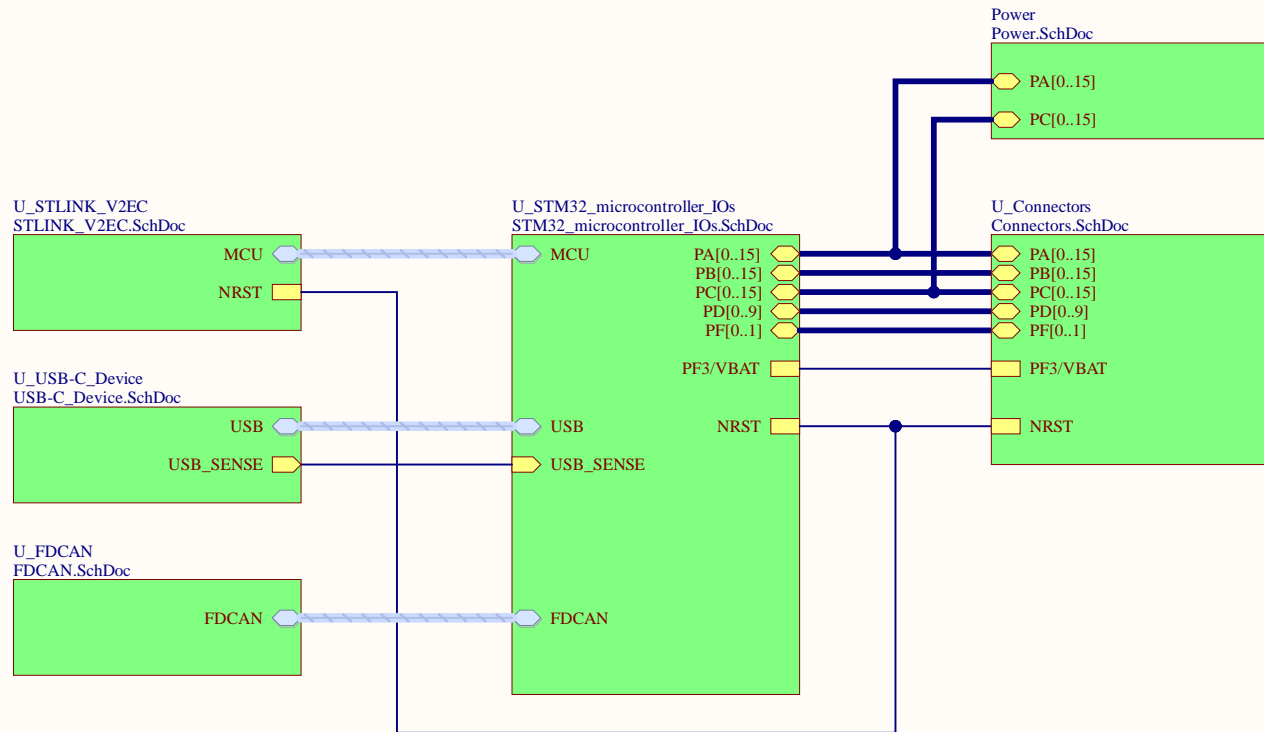
The Open Platform License Agreement (“Agreement”) is a binding legal contract between you (“You”) and STMicroelectronics International N.V. (“ST”), a company incorporated under the laws of the Netherlands acting for the purpose of this Agreement through its Swiss branch 39, Chemin du Champ des Filles, 1228 Plan-les-Ouates, Geneva, Switzerland.

By using the enclosed reference designs, schematics, PC board layouts, and documentation, in hardcopy or CAD tool file format (collectively, the “Reference Material”), You are agreeing to be bound by the terms and conditions of this Agreement. Do not use the Reference Material until You have read and agreed to this Agreement terms and conditions. The use of the Reference Material automatically implies the acceptance of the Agreement terms and conditions.

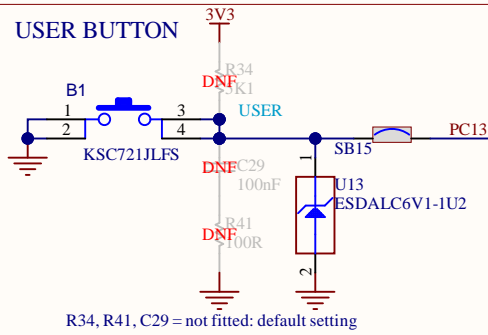
The complete Open Platform License Agreement can be found on www.st.com/opla.

Title: Project overview		
Project: NUCLEO		
Variant: C071RB		
Revision: B-03		Reference: MB2046
Size: A4	Date: 30-MAR-2024	Sheet: 1 of 8

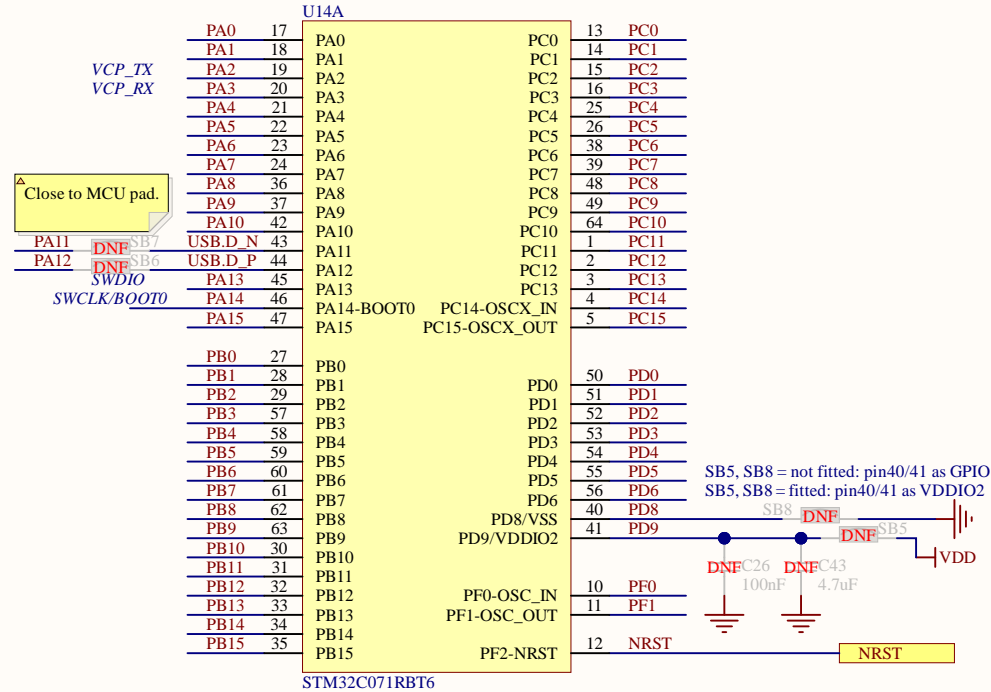




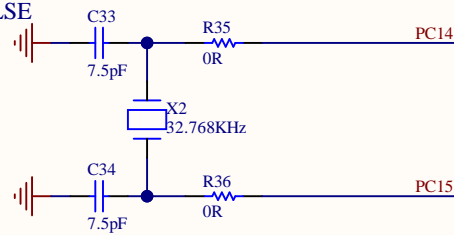
USER BUTTON



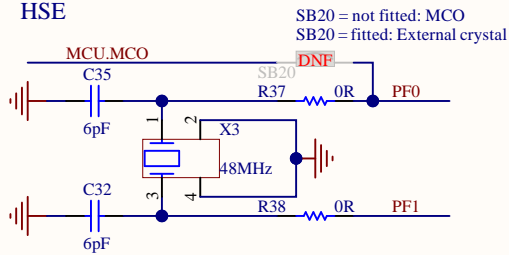
MCU I/O



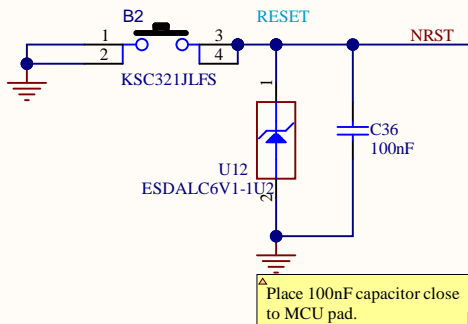
LSE



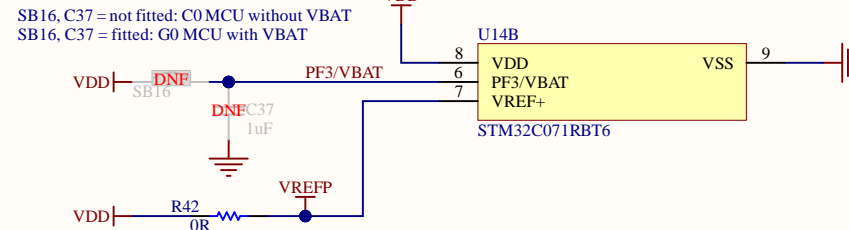
HSE



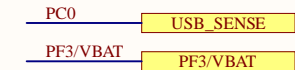
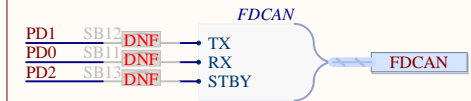
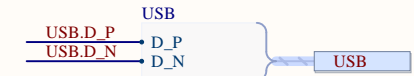
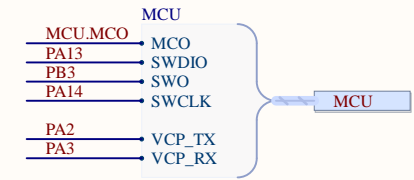
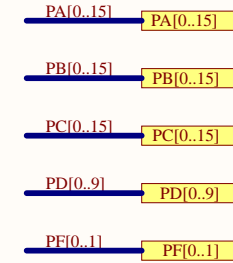
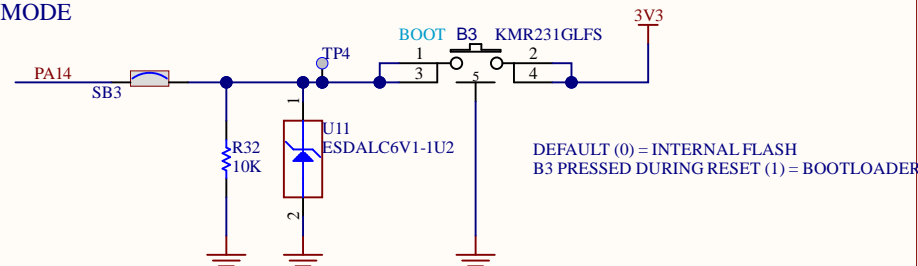
RESET BUTTON



MCU PWR

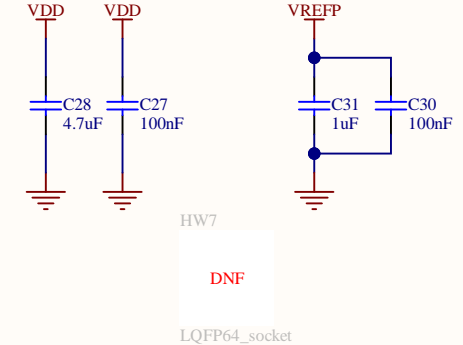


BOOT MODE



MCU DECAPS

Ceramic capacitor (Low ESR, ESR < 1ohm)



Title: STM32_microcontroller_IOs

Project: NUCLEO

Variant: C071RB

Revision: B-03

Reference: MB2046

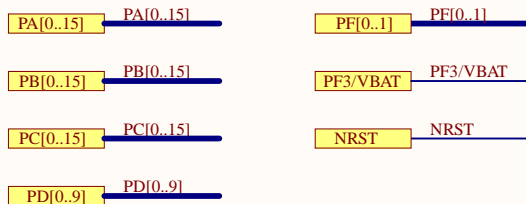
Size: A4

Date: 30-MAR-2024

Sheet: 3 of 8



CONNECTORS

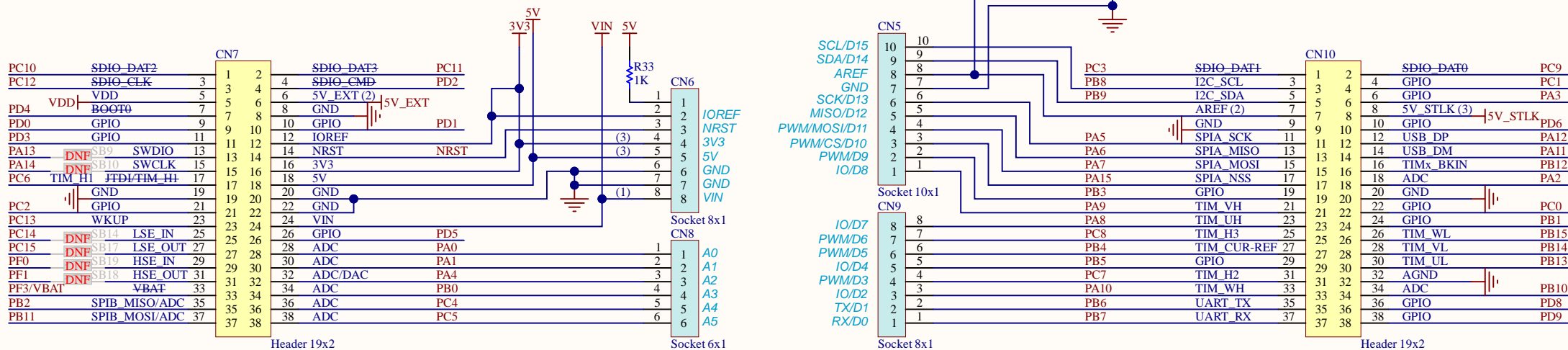


COLOR LEGEND
 MORPHO SPECIFICATION
 ARDUINO SPECIFICATION
 STM32 ALTERNATE FUNCTION
 STM32 IO PORT
 FUNCTION NOT AVAILABLE

ST MORPHO CONNECTOR LEFT SIDE

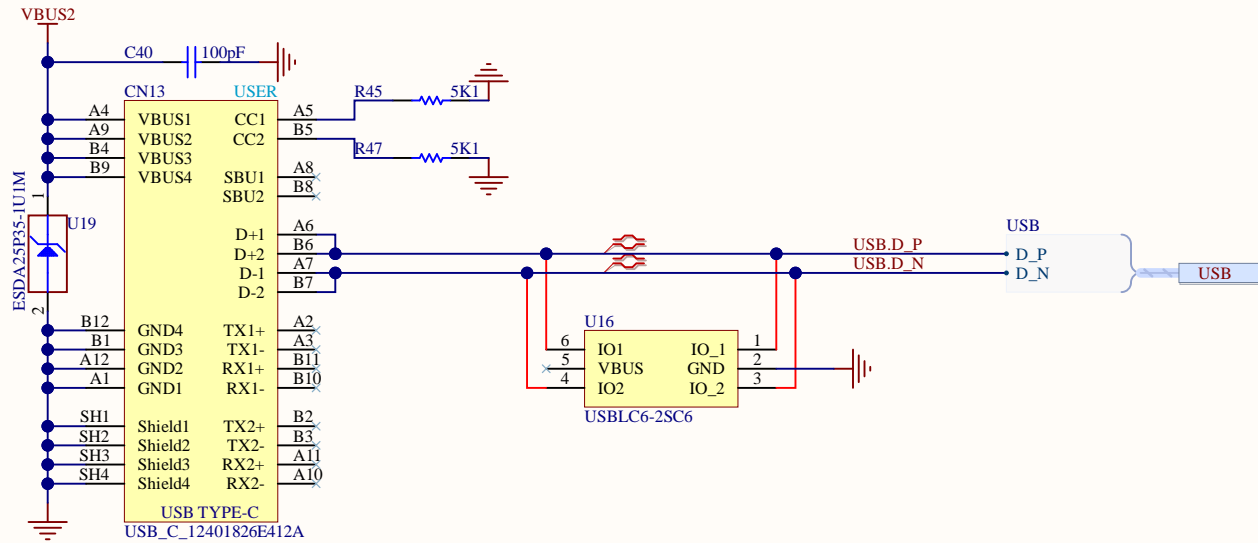
ARDUINO V3
 Operating range: 3V < VCC < 3.6V

ST MORPHO CONNECTOR RIGHT SIDE

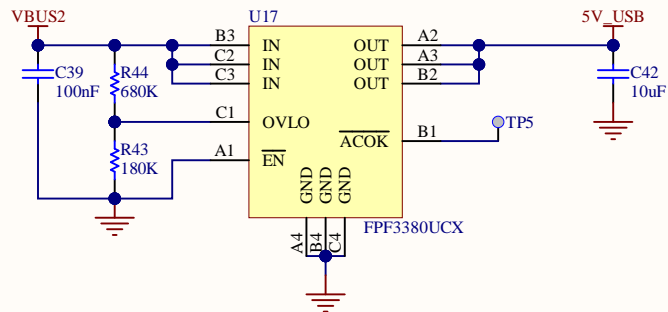


(1): VIN (NUCLEO INPUT) WARNING voltage applied to 7V < VIN < 12V
 (2): 5V_EXT, AREF (NUCLEO INPUT)
 (3): 5V, 3V3, IOREF, 5V_STLK (NUCLEO OUTPUT, SHIELD INPUT)

USER USB

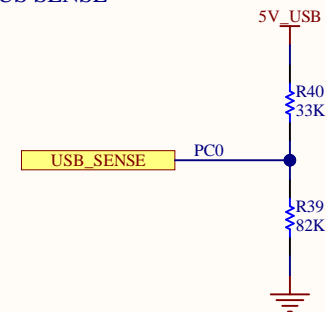


VBUS OVP

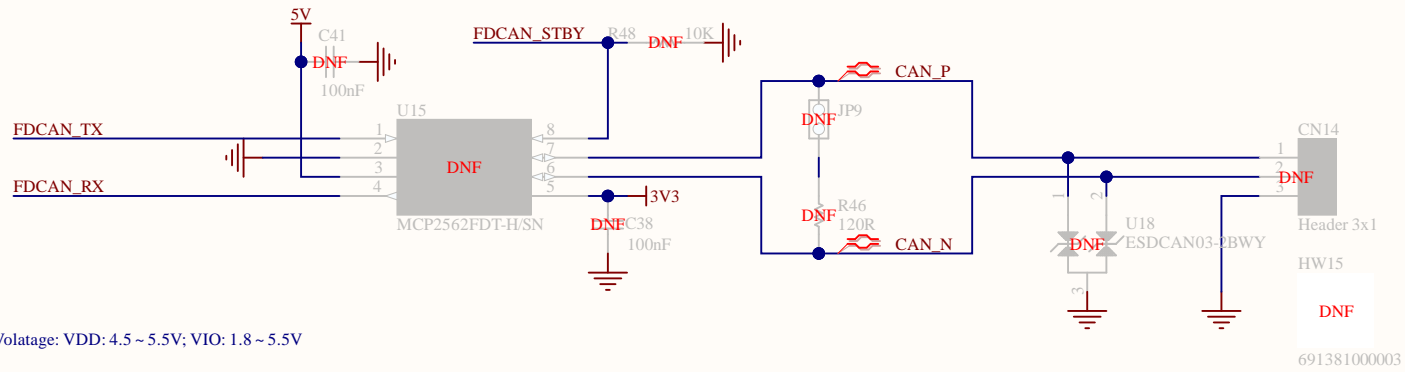


$$V_o = (680 + 180) / 180 * 1.2 = 5.73V$$

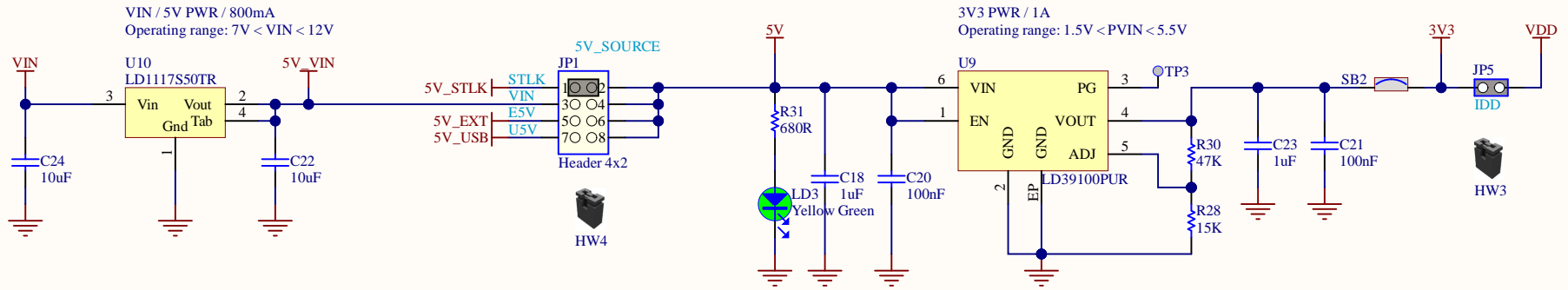
VBUS SENSE



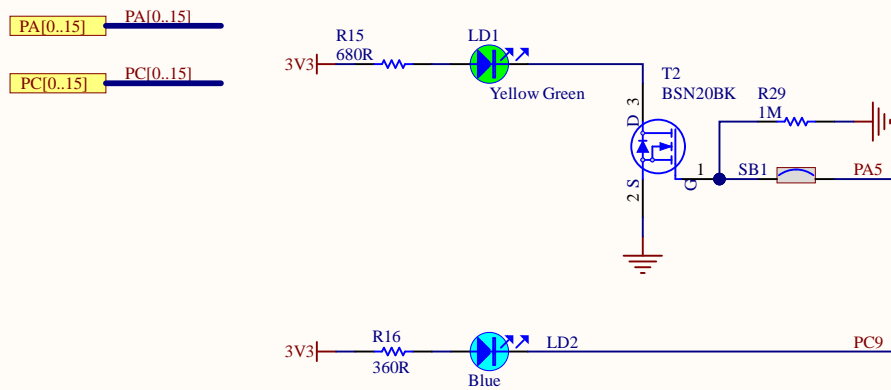
CAN FD



POWER SOURCES

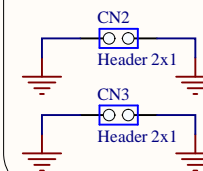


USER LED

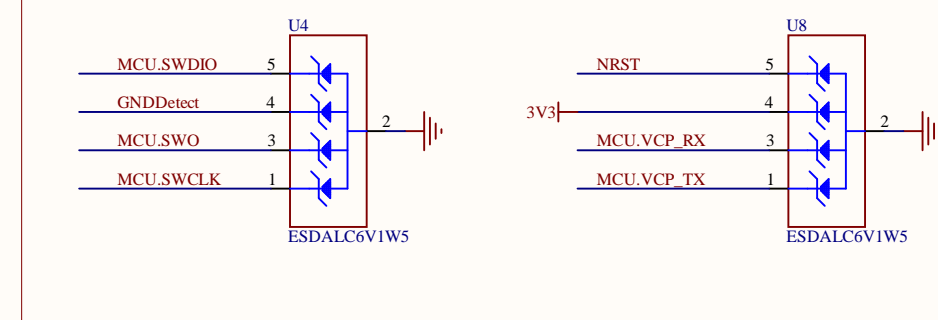
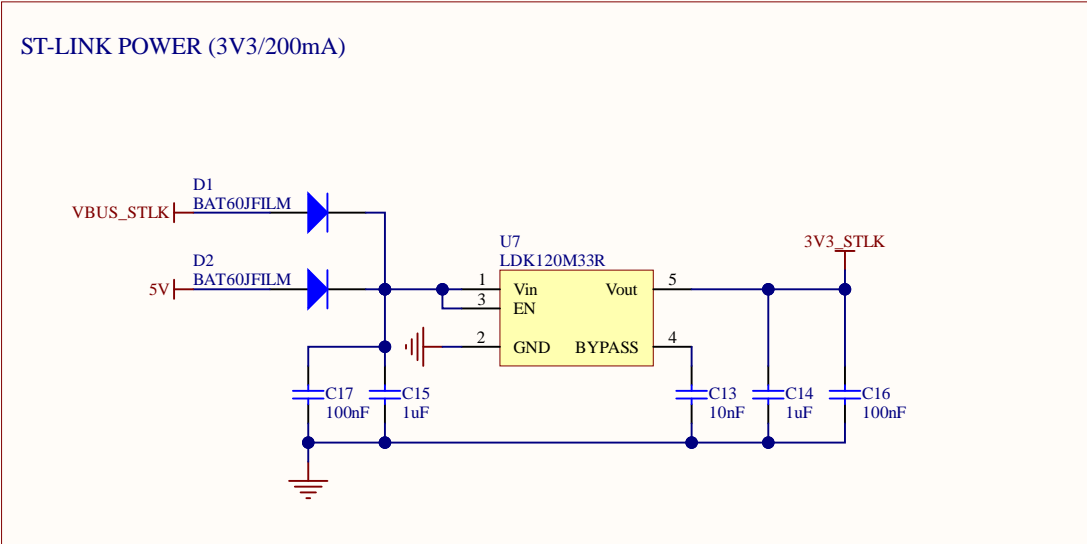
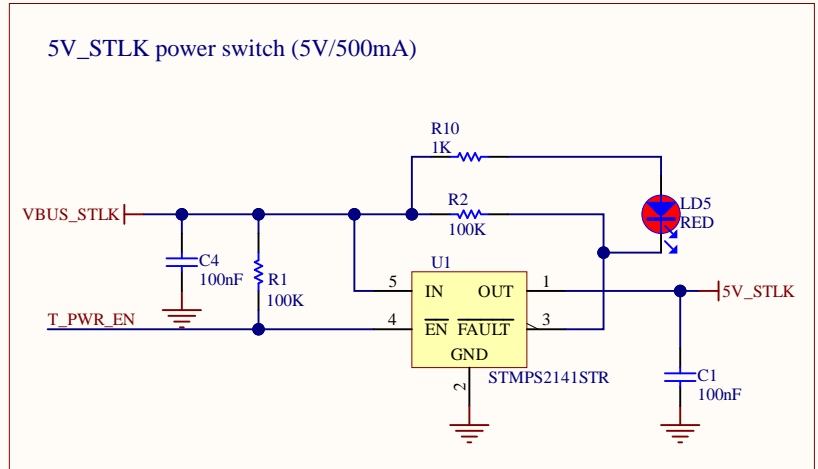
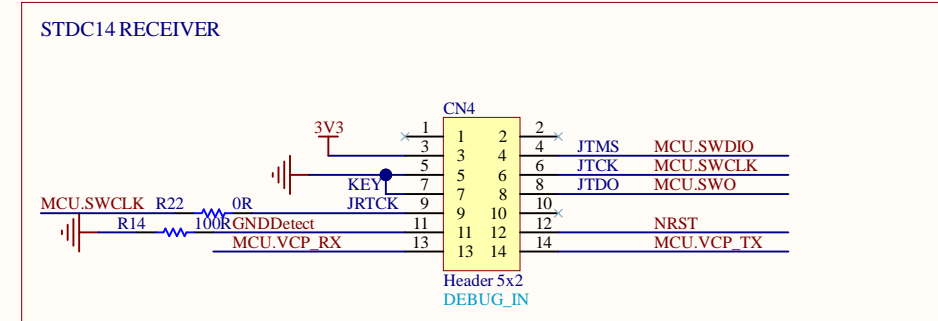
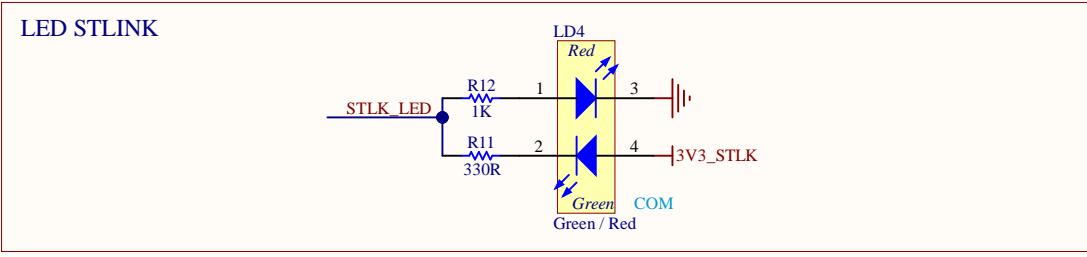
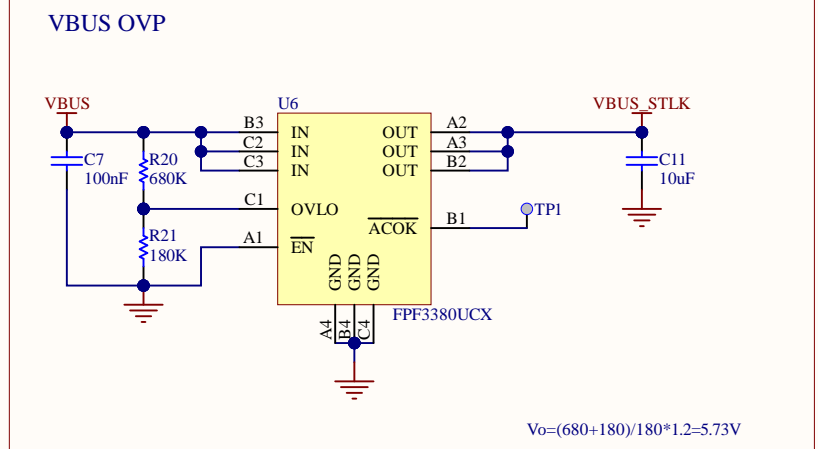
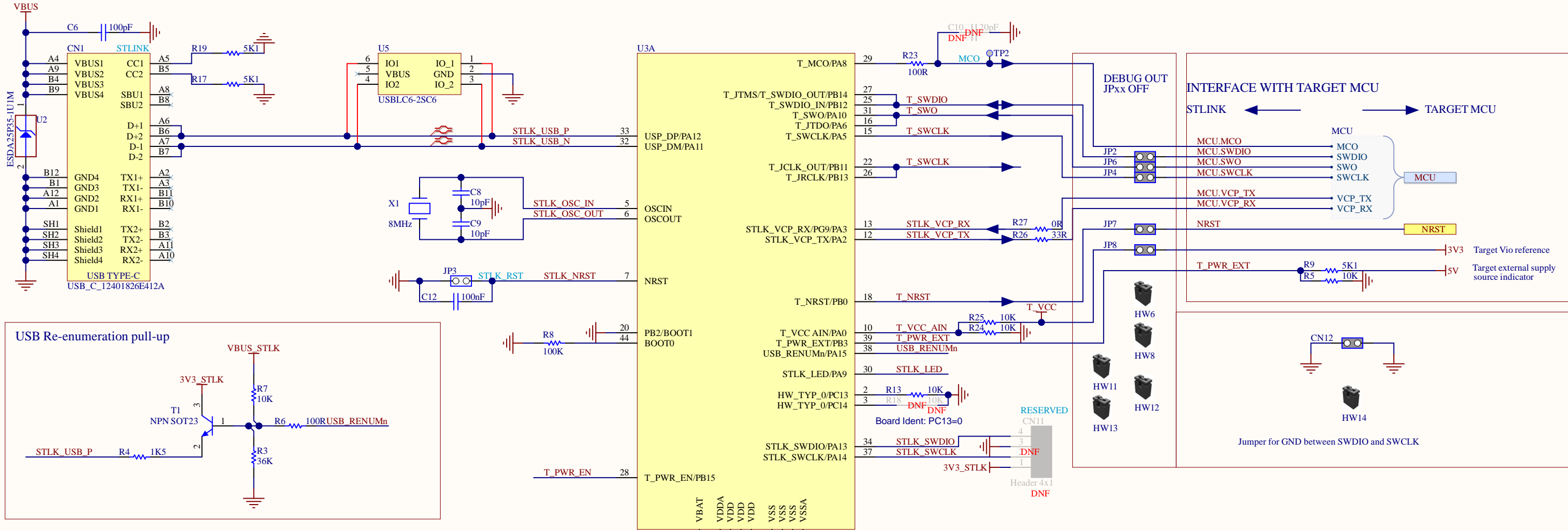


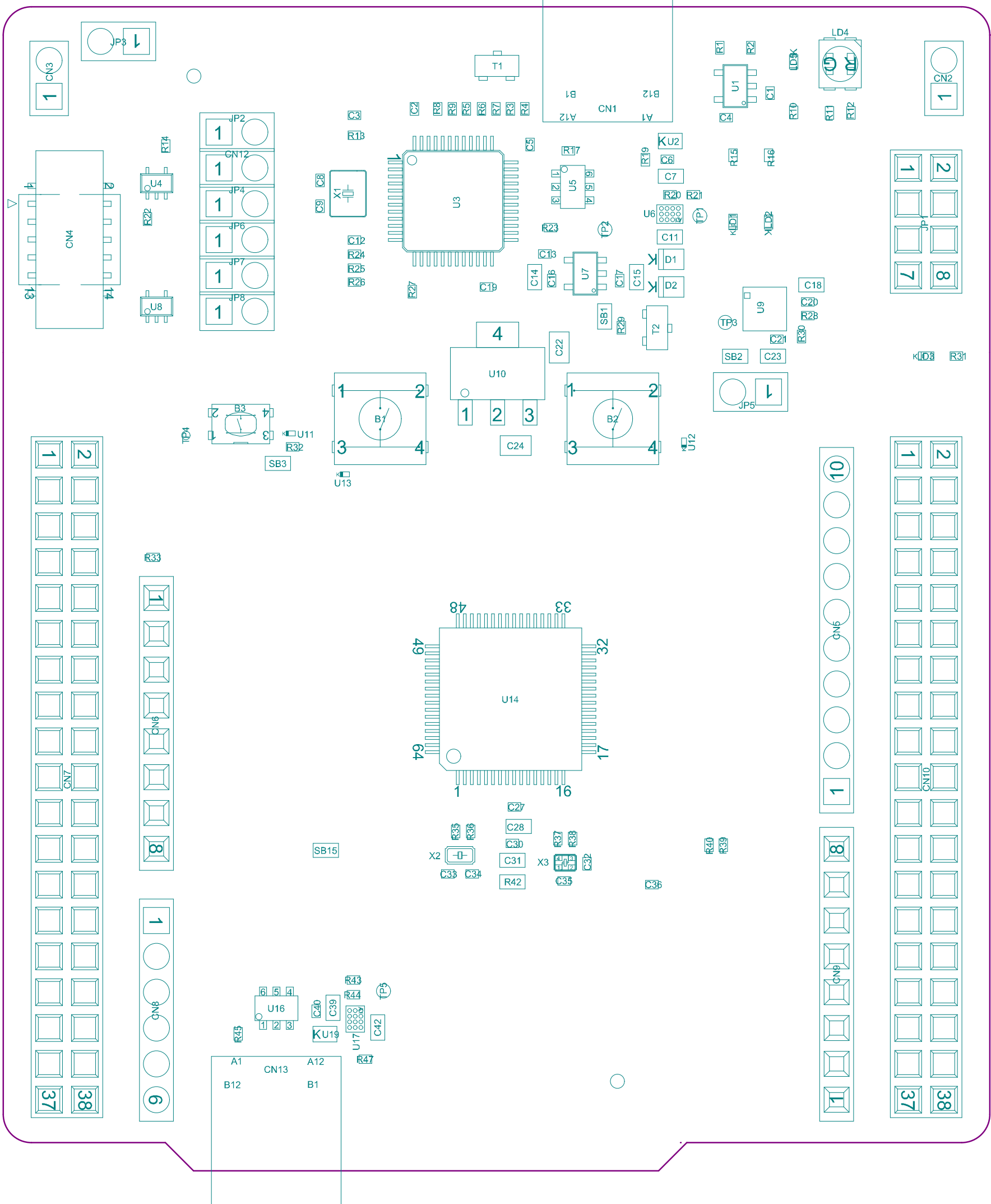
GND HEADERS

Wired on Solder Side



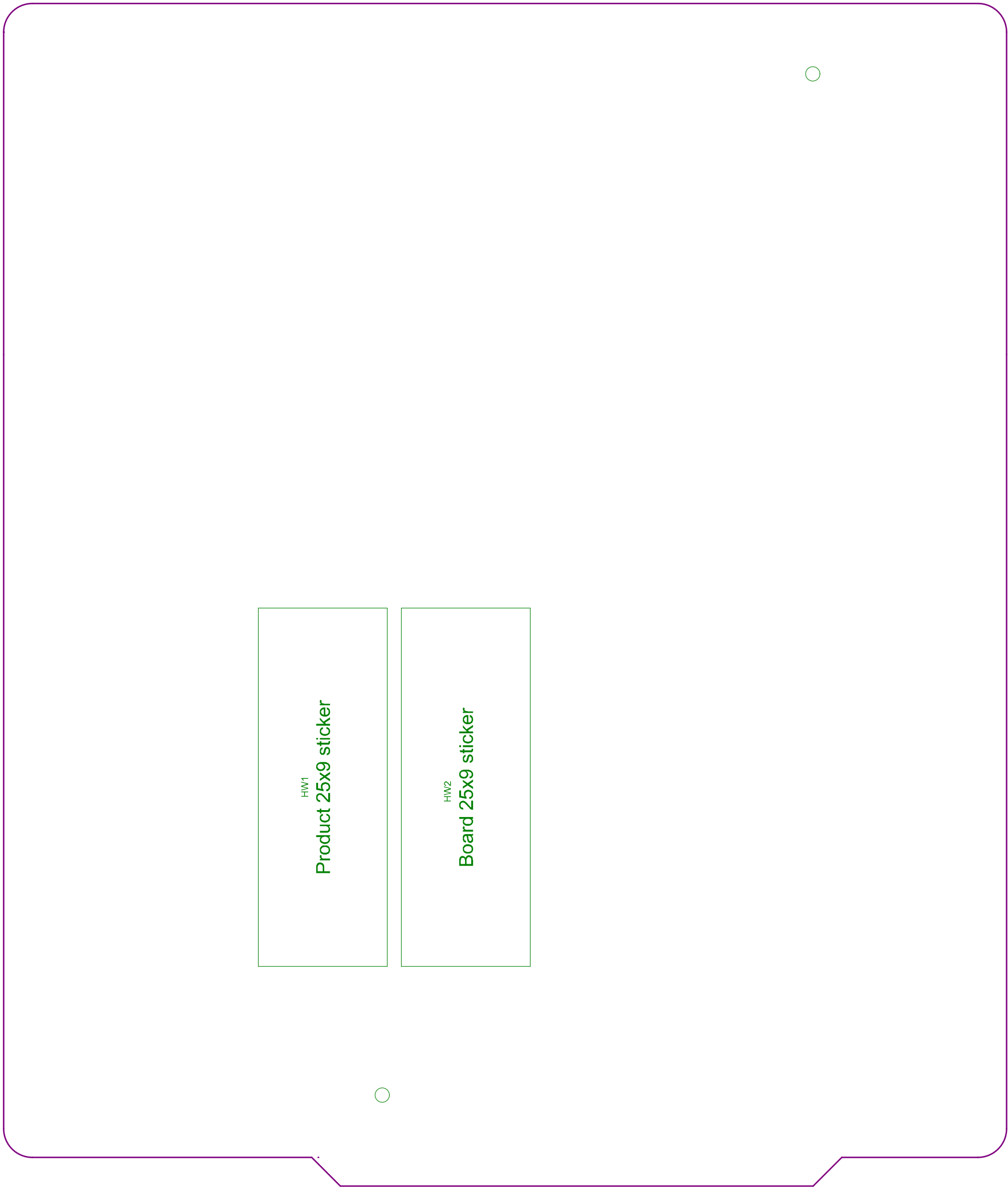
STLINK-V2EC





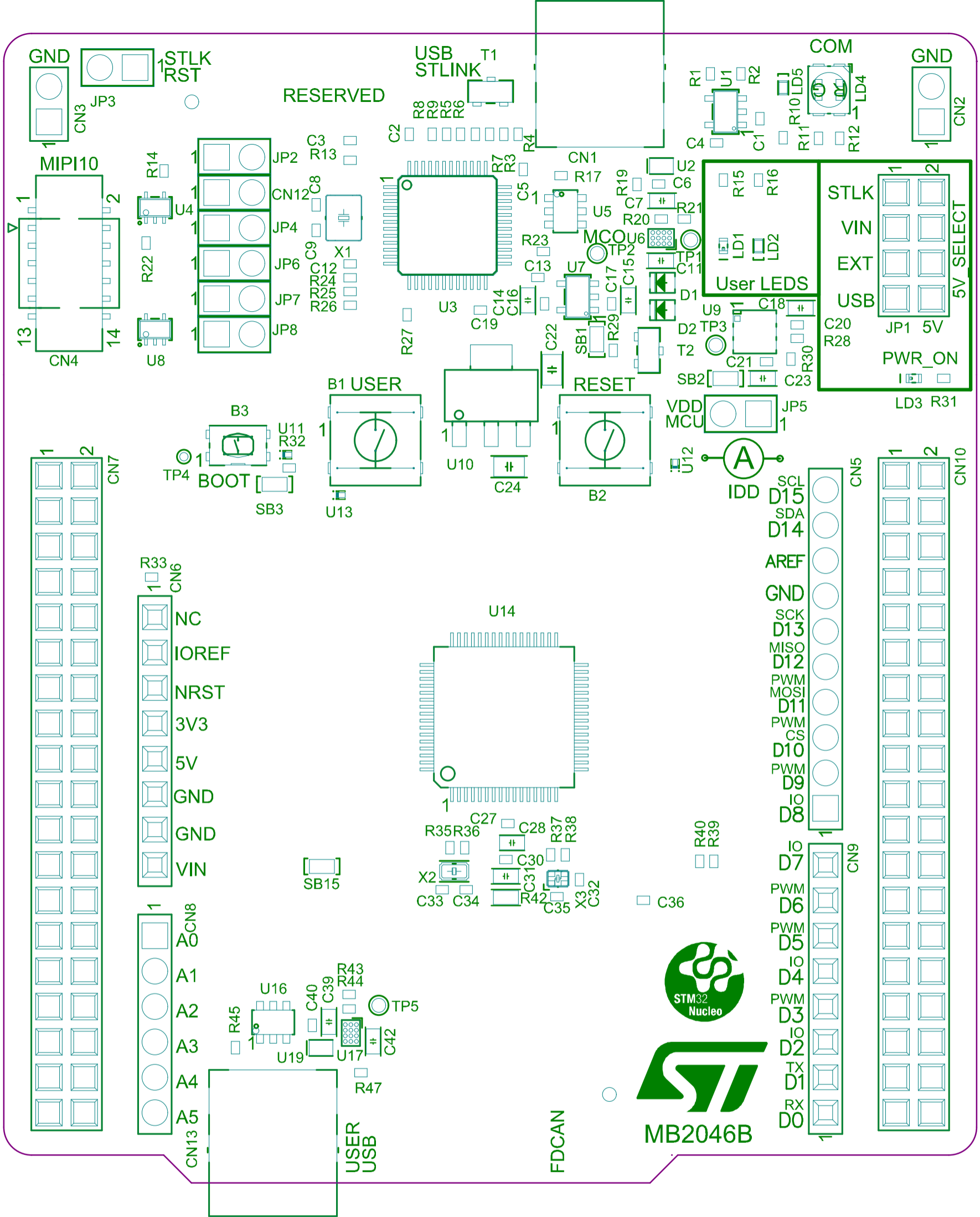
Project: NUCLEO	
Layer: M14-Top Assembly	Gerber: .GM14
Variant: C071RB	MB2046
Date: 30-MAR-2024	Rev: B



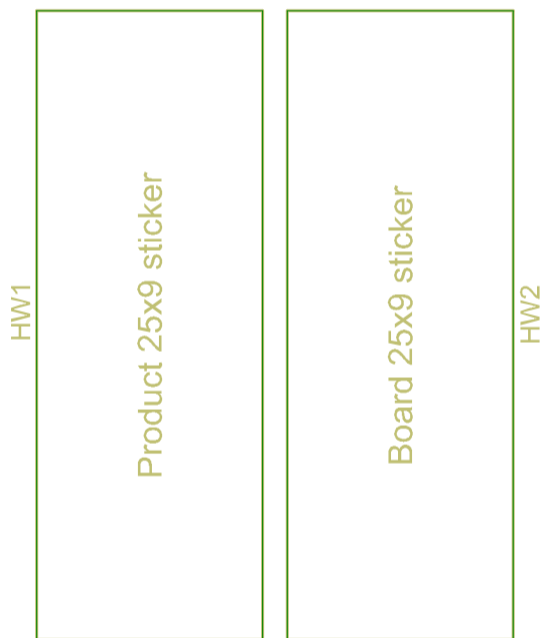


Project: NUCLEO	
Layer: M15-Bottom Assembly	Gerber: .GM15
Variant: C071RB	MB2046
Date: 30-MAR-2024	Rev: B





SCL
D15
SDA
D14
AREF
GND
SCK
D13
MISO
D12
PWM
MOSI
D11
PWM
CS
D10
PWM
D9
IO
D8
IO
D7
PWM
D6
PWM
D5
IO
D4
PWM
D3
IO
D2
TX
D1
RX
D0



NC
IOREF
NRST
3V3
5V
GND
GND
VIN
A0
A1
A2
A3
A4
A5