

# MCU\_RF\_Board\_WB07\_QFN48

---

MB2119

---

## Table of contents

---

- Sheet 1: Project overview (this page)
- Sheet 2: Top
- Sheet 3: MCU I/Os
- Sheet 4: Supply
- Sheet 5 : RF

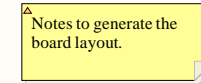
## Legend

---

General comment such as function title, configuration, ...

Text to be added to silkscreen.

Warning text.



## Open Platform License Agreement

---

The Open Platform License Agreement (“Agreement”) is a binding legal contract between you (“You”) and STMicroelectronics International N.V. (“ST”), a company incorporated under the laws of the Netherlands acting for the purpose of this Agreement through its Swiss branch 39, Chemin du Champ des Filles, 1228 Plan-les-Ouates, Geneva, Switzerland.

By using the enclosed reference designs, schematics, PC board layouts, and documentation, in hardcopy or CAD tool file format (collectively, the “Reference Material”), You are agreeing to be bound by the terms and conditions of this Agreement. Do not use the Reference Material until You have read and agreed to this Agreement terms and conditions. The use of the Reference Material automatically implies the acceptance of the Agreement terms and conditions.

The complete Open Platform License Agreement can be found on [www.st.com/opla](http://www.st.com/opla).

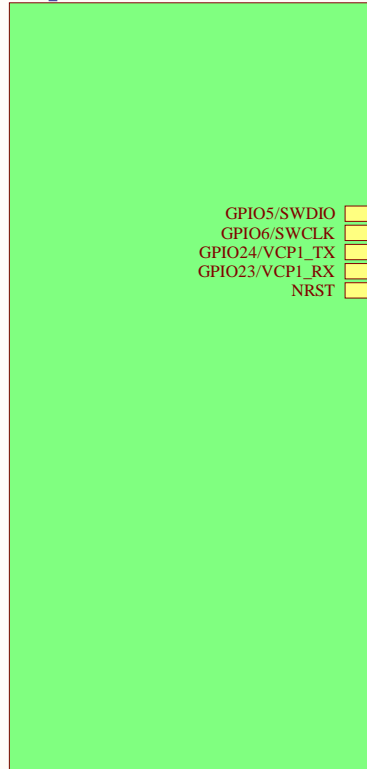
U\_Top  
Top.SchDoc



Title: <b>Project Overview</b>		
Project: <b>MCU_RF_Board_WB07_QFN48</b>		
Variant: <b>WB07</b>		
Revision: <b>A-02</b>	Reference: <b>MB2119</b>	
Size: <b>A4</b>	Date: <b>15-MAY-2024</b>	Sheet: <b>1</b> of <b>5</b>

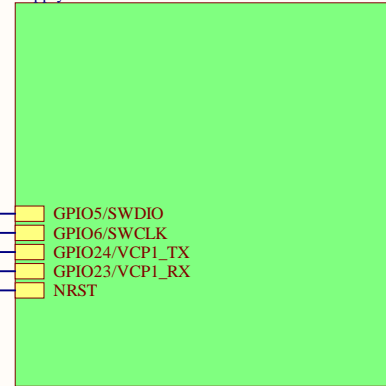


Designator  
MCU\_IOs.SchDoc



GPIO5/SWDIO  
GPIO6/SWCLK  
GPIO24/VCP1\_TX  
GPIO23/VCP1\_RX  
NRST

Designator  
Supply.SchDoc



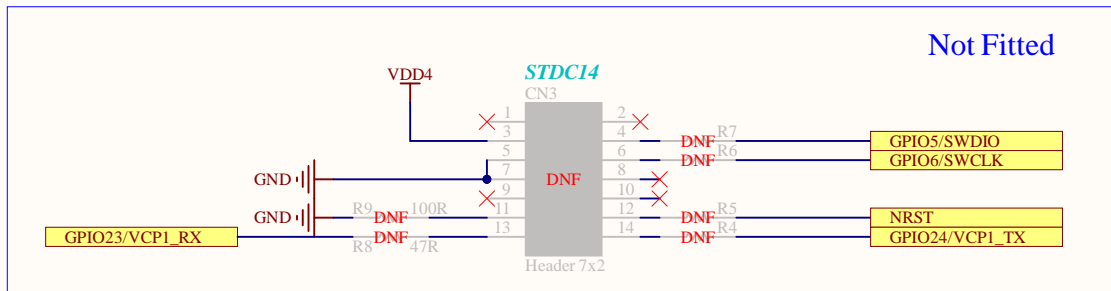
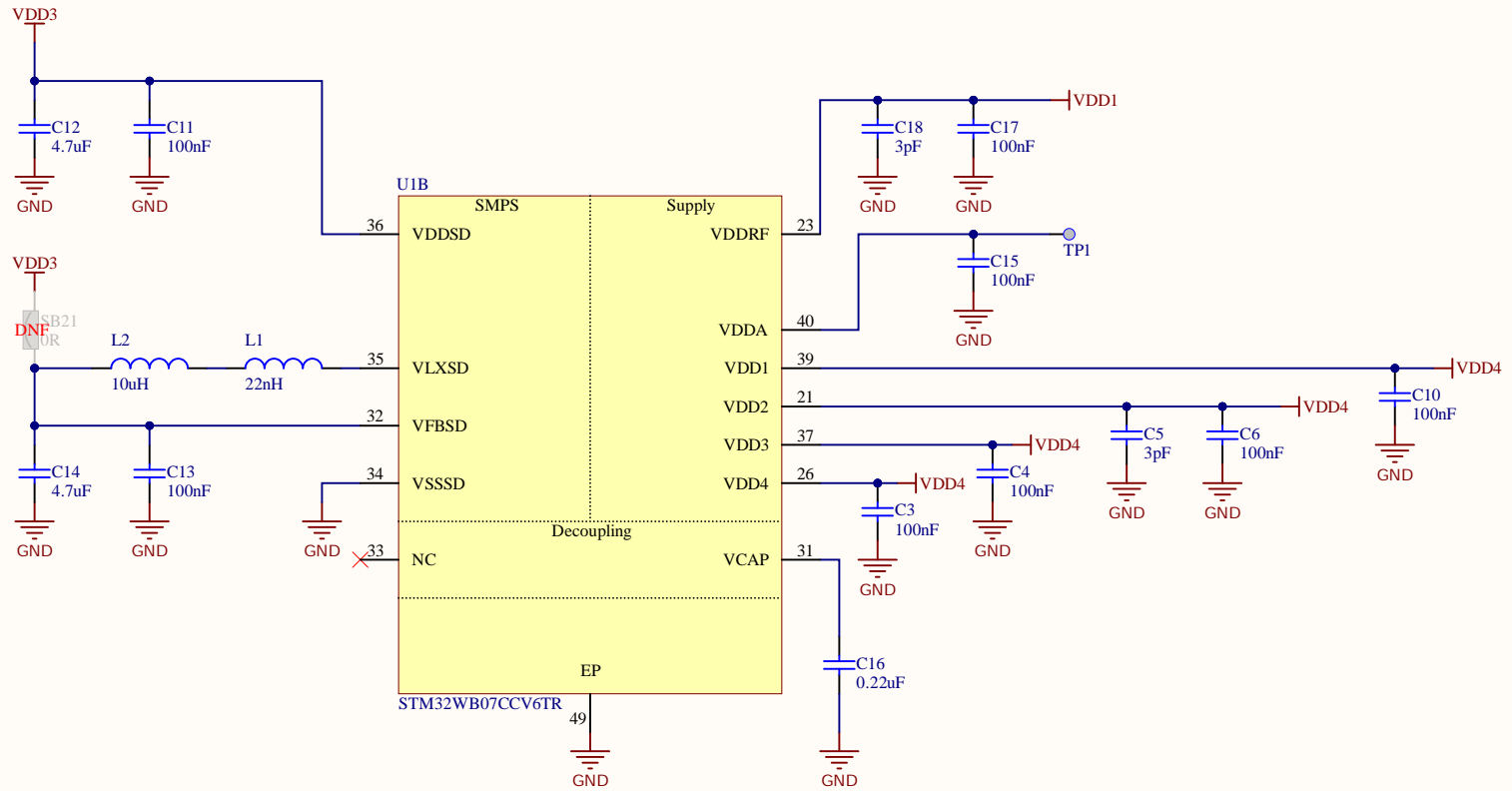
GPIO5/SWDIO  
GPIO6/SWCLK  
GPIO24/VCP1\_TX  
GPIO23/VCP1\_RX  
NRST

Designator  
RF.SchDoc





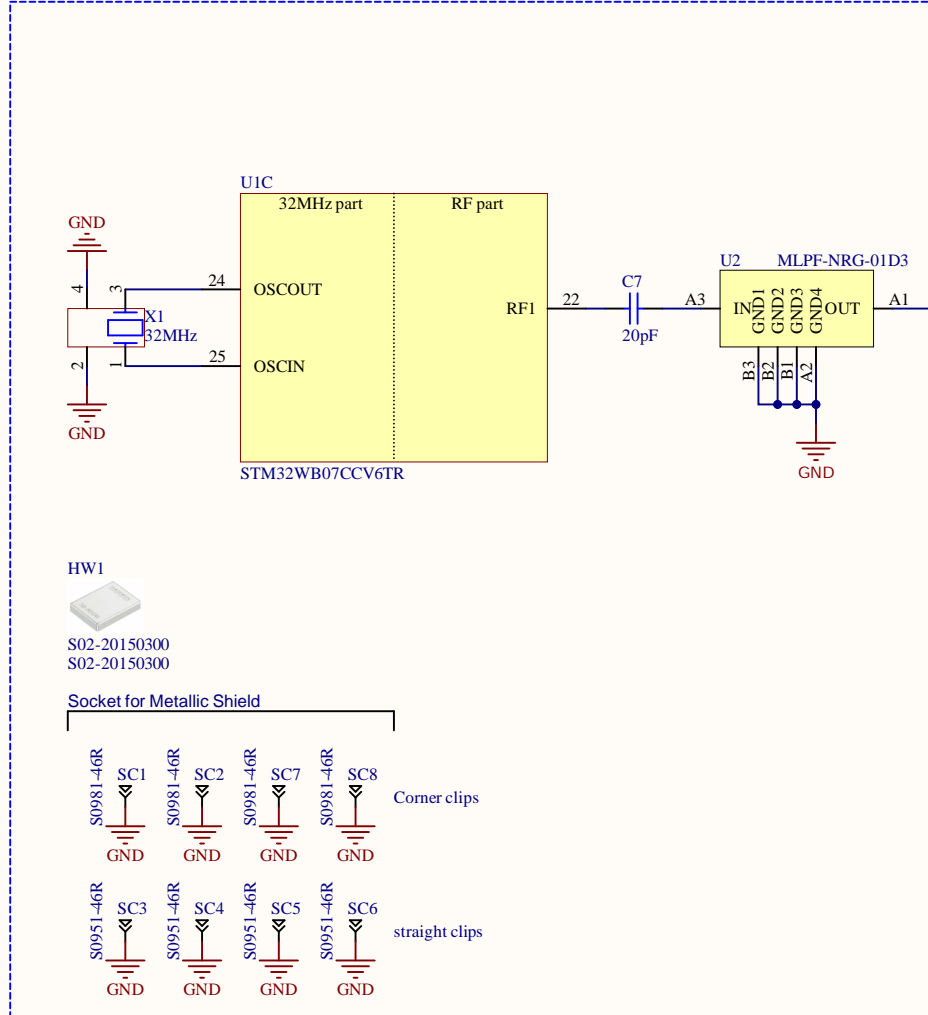
NOTE:  
Remove L2 and connect SB21 for  
the configuration SMPS OFF



Title: Supply	
Project: MCU_RF_Board_WB07_QFN48	
Variant: WB07	
Revision: A-02	Reference: MB2119
Size: A4	Sheet: 4 of 5



RF Shield can area

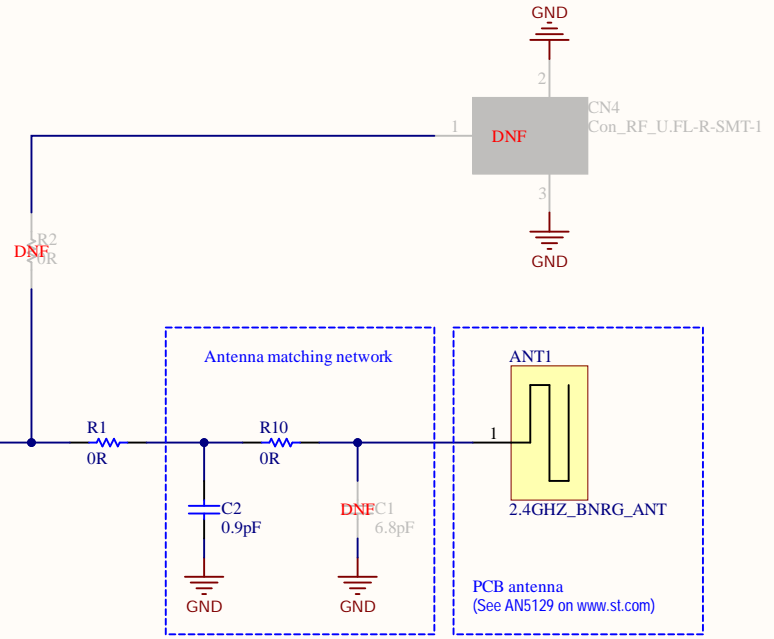
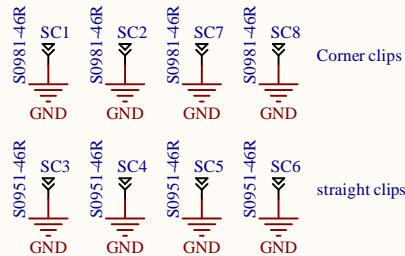


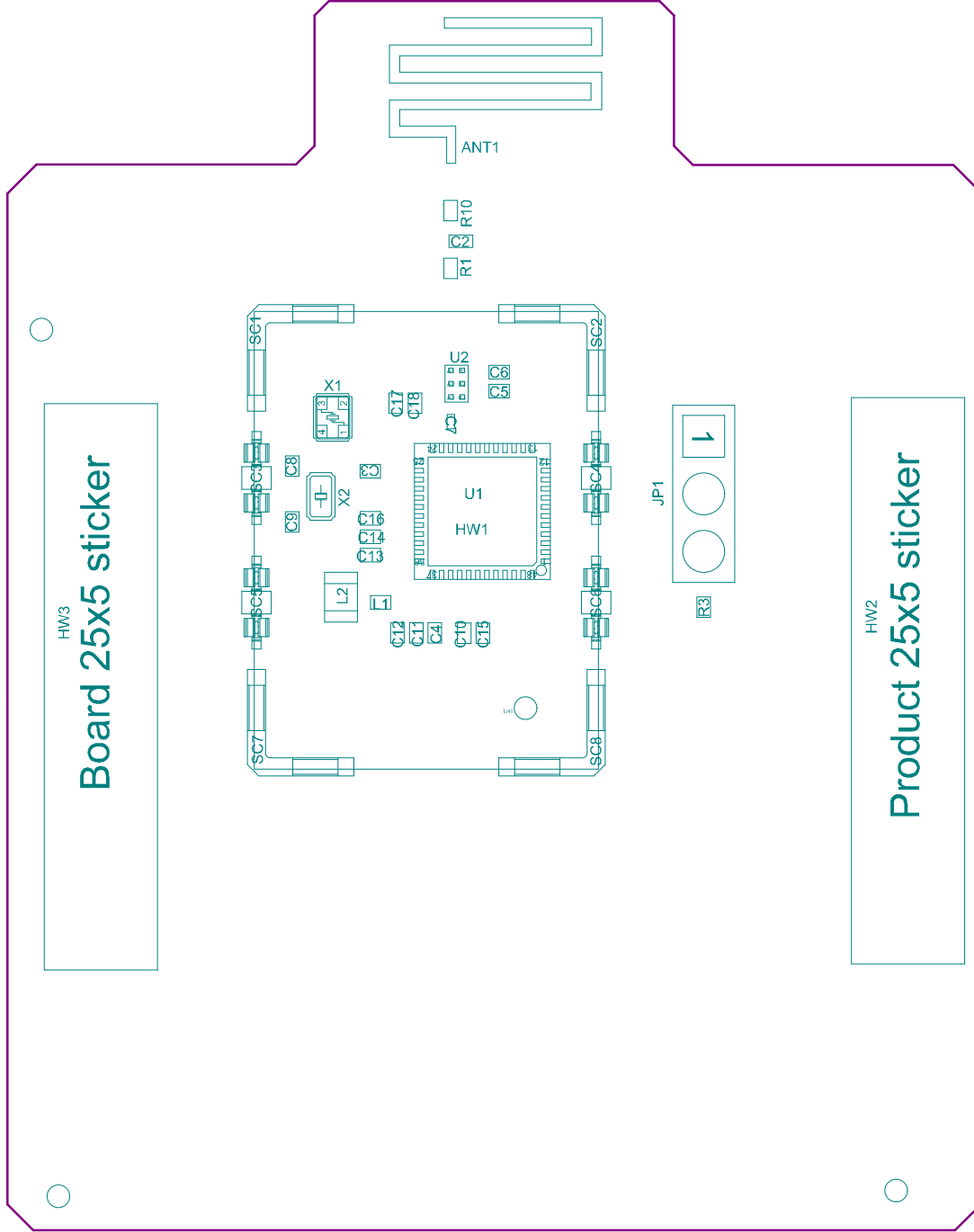
HW1



S02-20150300  
S02-20150300

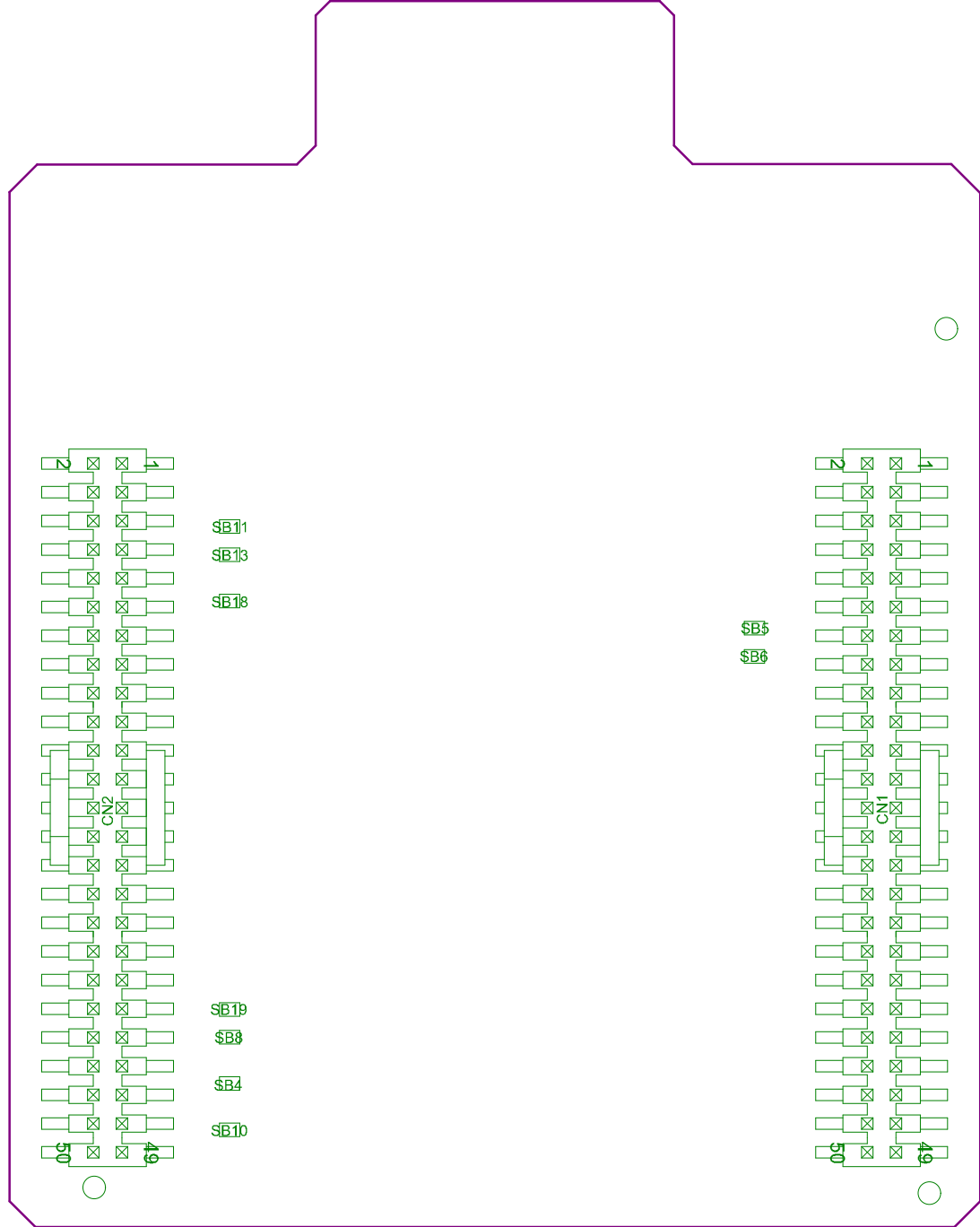
Socket for Metallic Shield





Project: MCU_RF_Board_WB07_QFN48	
Layer: M14-Top Assembly	Gerber: .GM14
Variant: WB07	Ref: MB2119
Date: 15-MAY-2024	Rev: A





Project: MCU_RF_Board_WB07_QFN48	
Layer: M15-Bottom Assembly	Gerber: .GM15
Variant: WB07	Ref: MB2119
Date: 15-MAY-2024	Rev: A

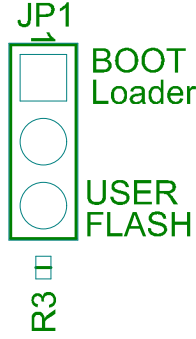
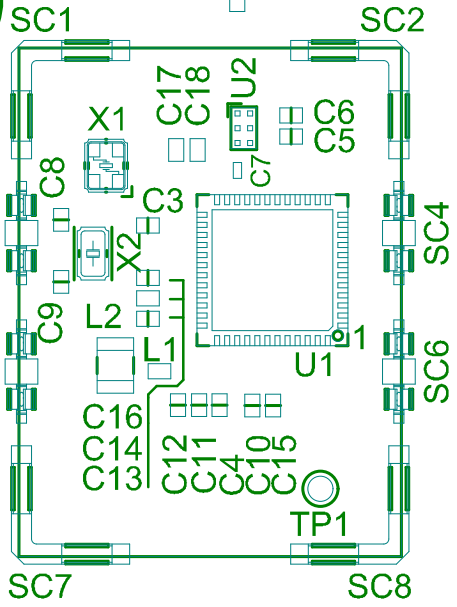








R1  
C2



Board 25x5 sticker

Product 25x5 sticker



MB2119A



RoHS  
Compliant



FCC

UK  
CA

CE

