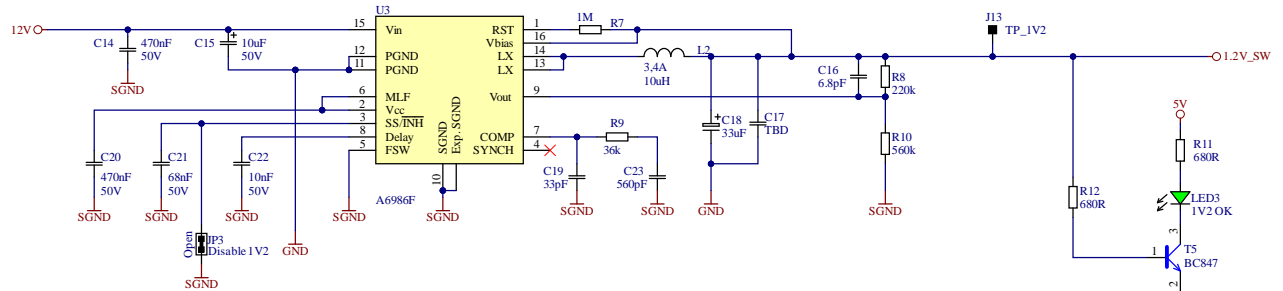
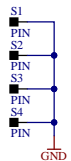



Pick and place assembly MARK
 Pick and place assembly MARK
 Pick and place assembly MARK

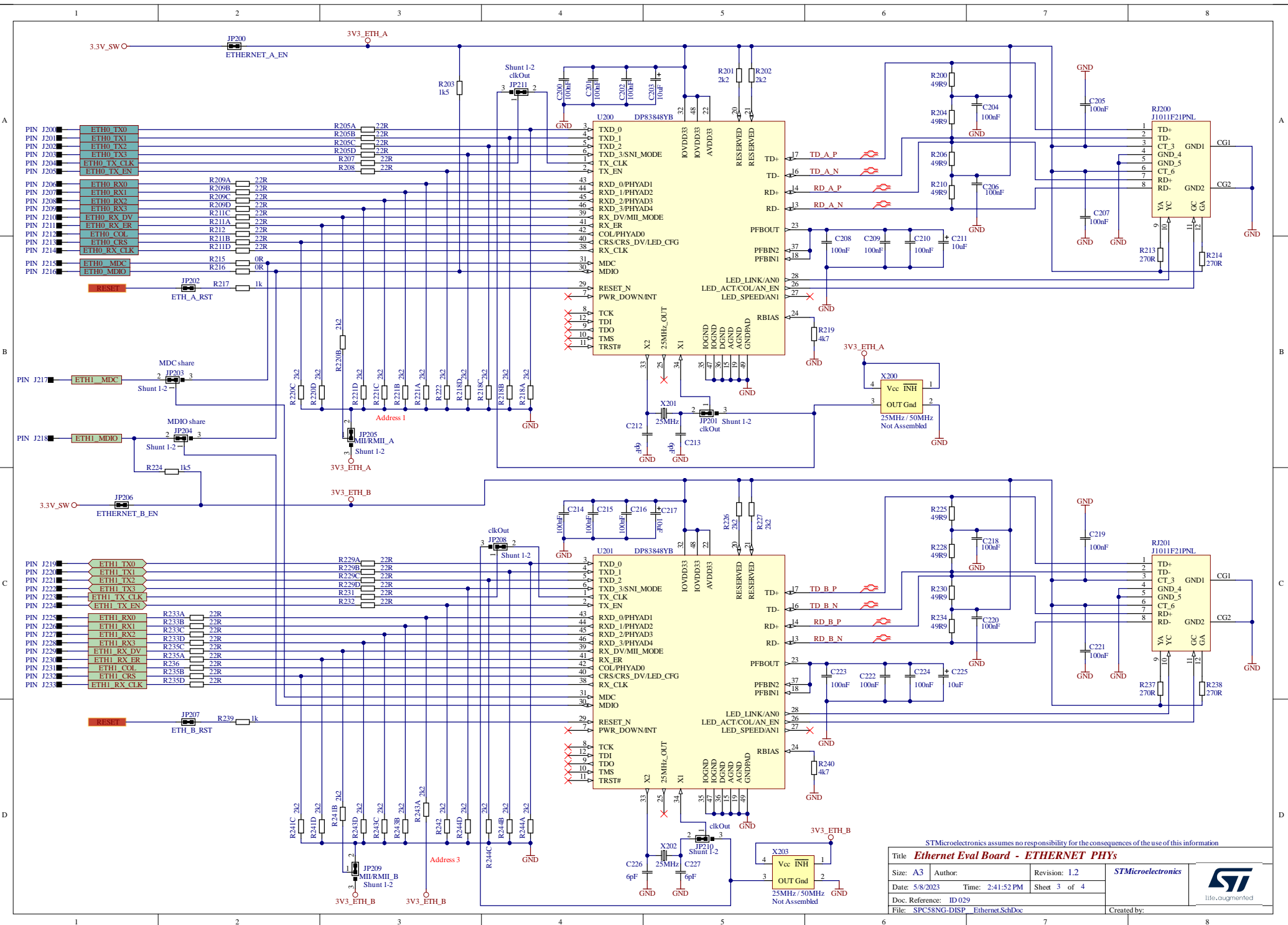
DEMO BOARD FOR EVALUATIN PURPOSE ONLY!

RoHS COMPLIANT



STMicroelectronics assumes no responsibility for the consequences of the use of this information

Title Ethernet Eval Board - Power supply				 l116.ourgumented
Size: A3	Author:	Revision: 1.20	STMicroelectronics	
Date: 5/8/2023	Time: 2:41:52 PM	Sheet 1 of 4		
Doc. Reference: ID 029				
File: SPC58NG_DISP_PowerSupply.SchDoc			Created by:	



STMicroelectronics assumes no responsibility for the consequences of the use of this information

Title Ethernet Eval Board - ETHERNET PHYs			
Size: A3	Author:	Revision: 1.2	STMicroelectronics
Date: 5/8/2023	Time: 2:41:52 PM	Sheet 3 of 4	
Doc. Reference: ID 029			
File: SPC58NG-DISP Ethernet.SchDoc			Created by:

