

STEVAL-55G1MBI

PCB4189D

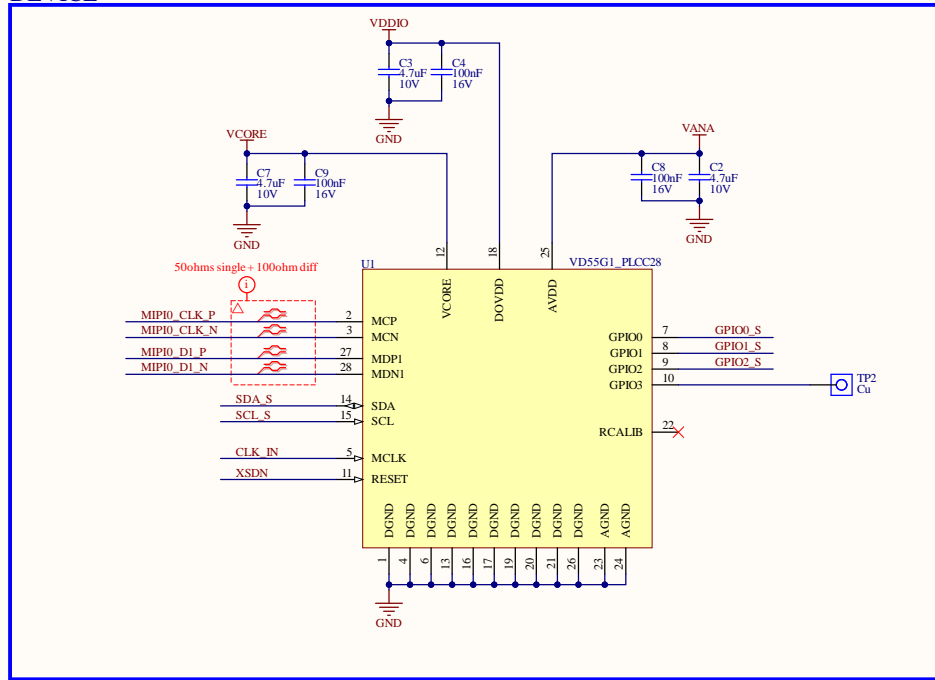
## REVISION HISTORY

SHEET 01: TITLE  
SHEET 02: Sensor  
SHEET 03: Interface

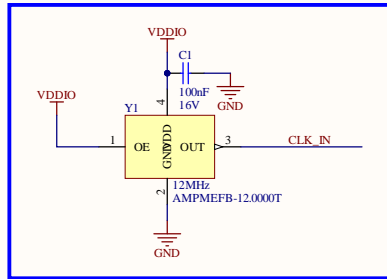
DATE	VERSION	NAME	DESCRIPTION
28/05/2024	000		



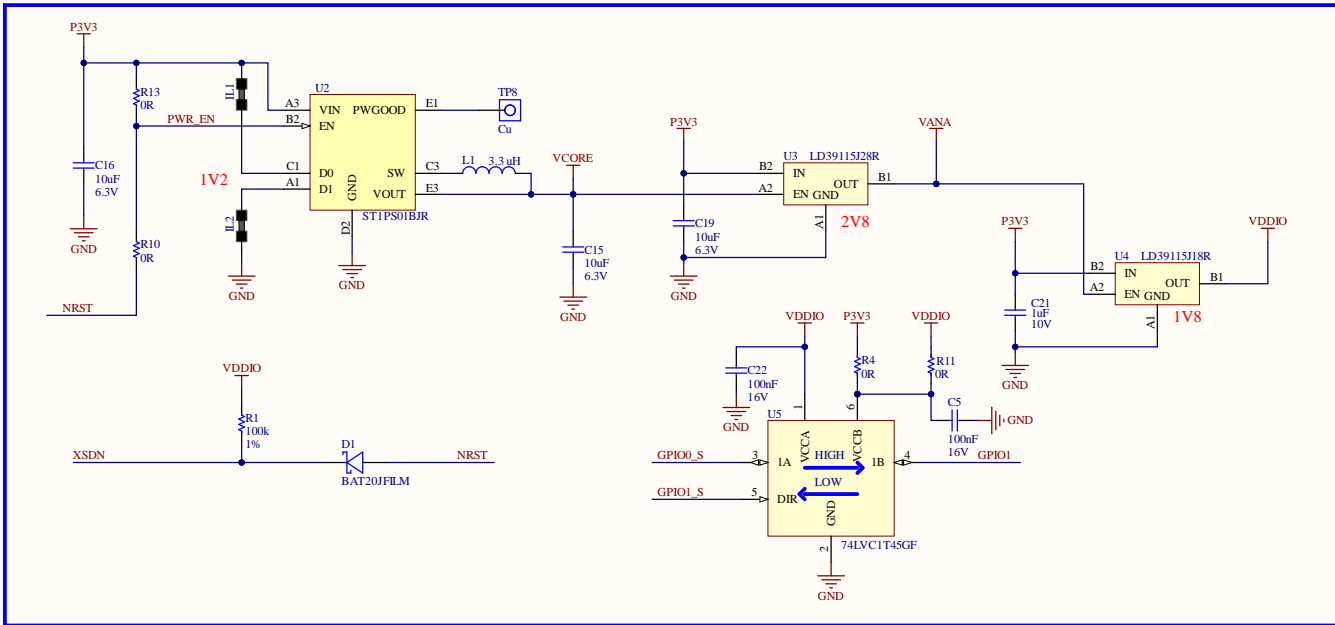
# DEVICE



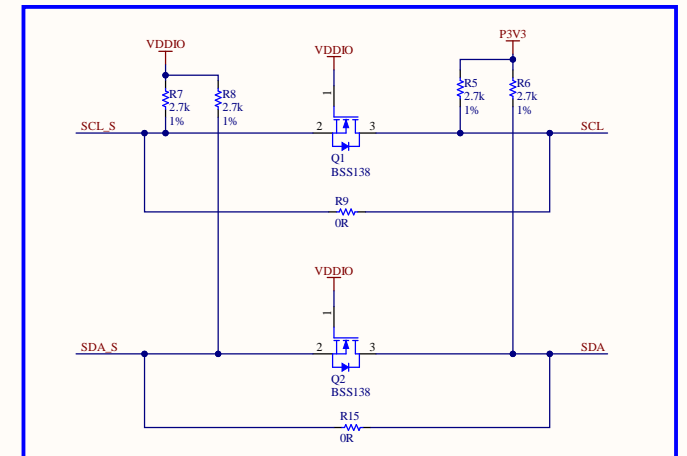
# CLOCK



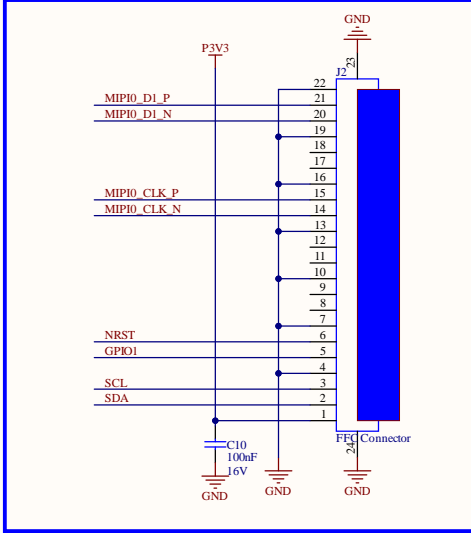
# POWER & RESET



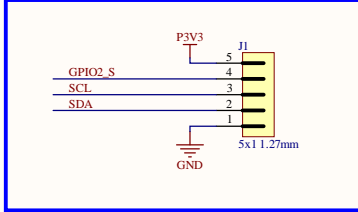
# I2C



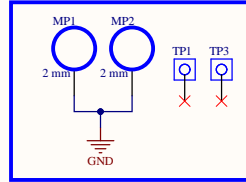
### Raspberry



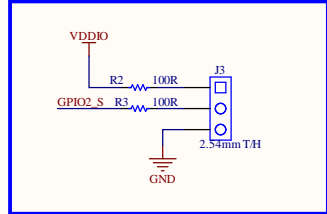
### Illuminator



### FIXATION



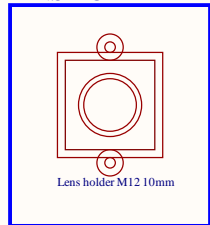
### HEADER



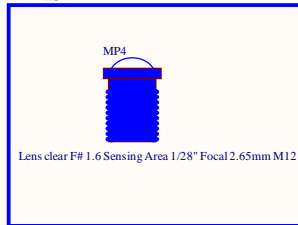
### BOARD STICKER



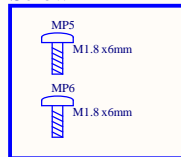
### LENS HOLDER



### LENS



### Screw



### Cable

