

STEVAL-56G3MAI

PCB4188D

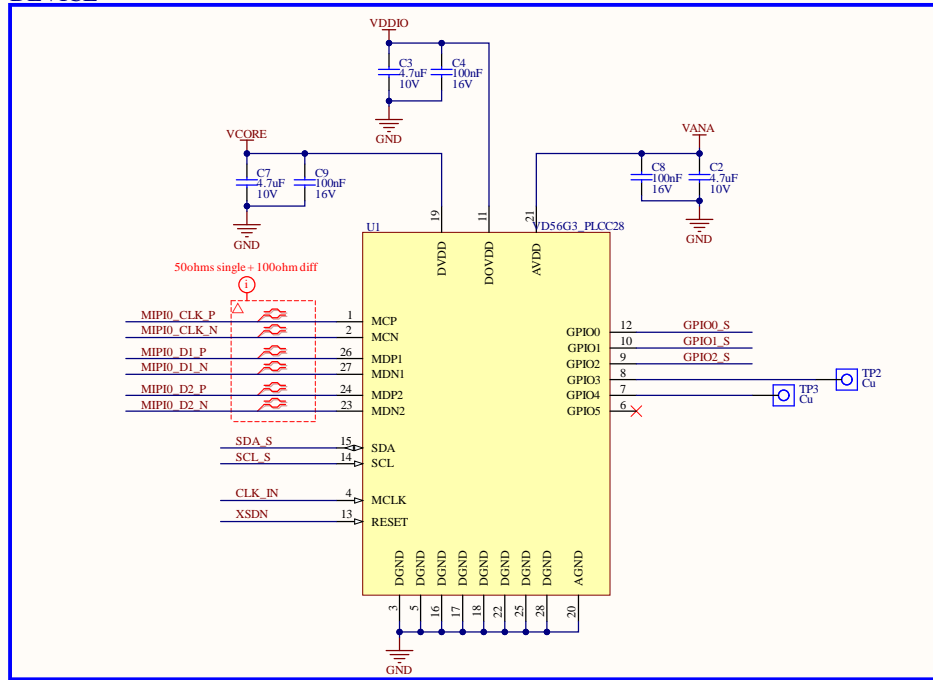
SHEET 01: TITLE  
SHEET 02: Sensor  
SHEET 03: Interface

## REVISION HISTORY

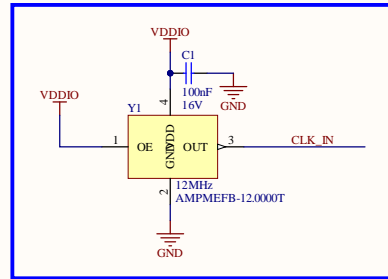
DATE	VERSION	NAME	DESCRIPTION
28/05/2024	000		



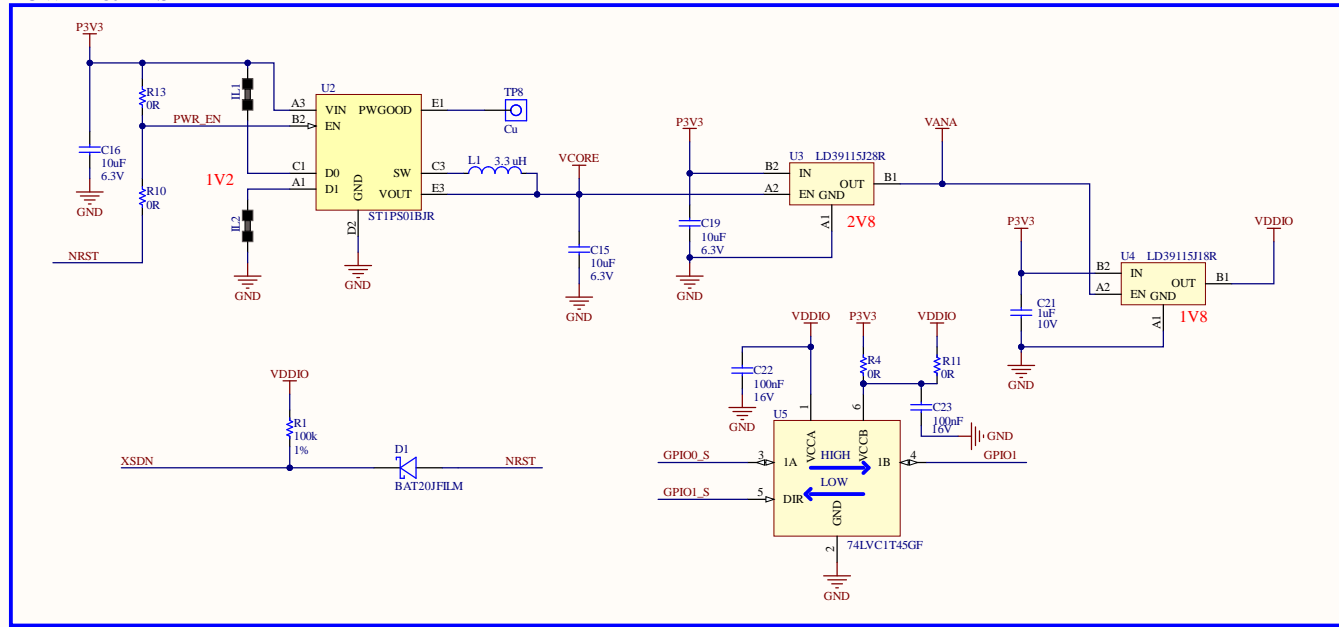
# DEVICE



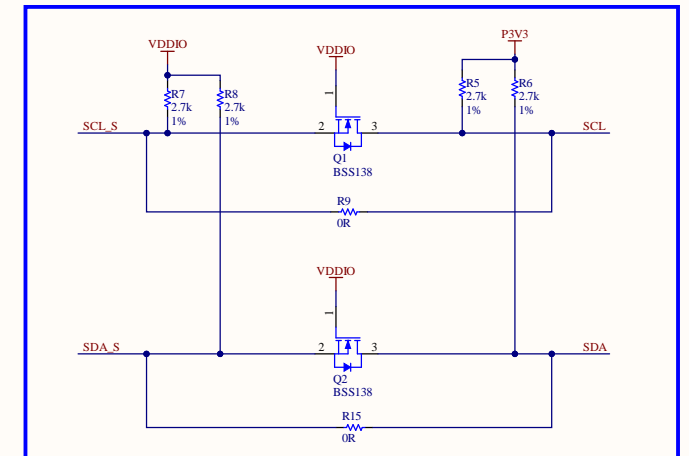
# CLOCK



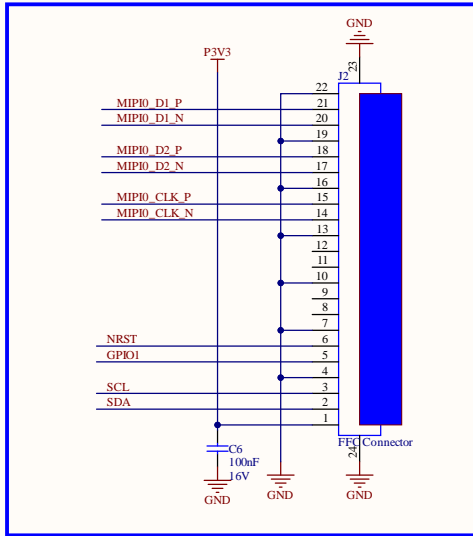
# POWER & RESET



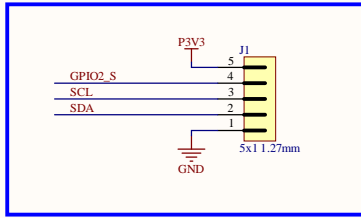
# I2C



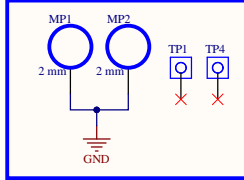
# Raspberry



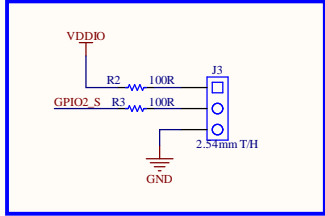
# Illuminator



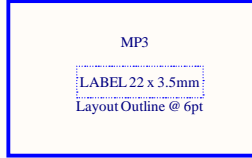
# FIXATION



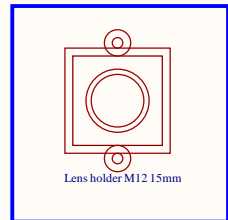
# HEADER



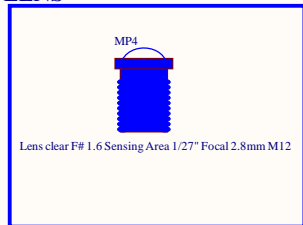
# BOARD STICKER



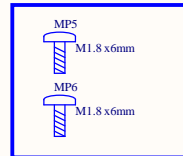
# LENS HOLDER



# LENS



# Screw



# Cable

