

STEVAL-66GYMAI

PCB4188D

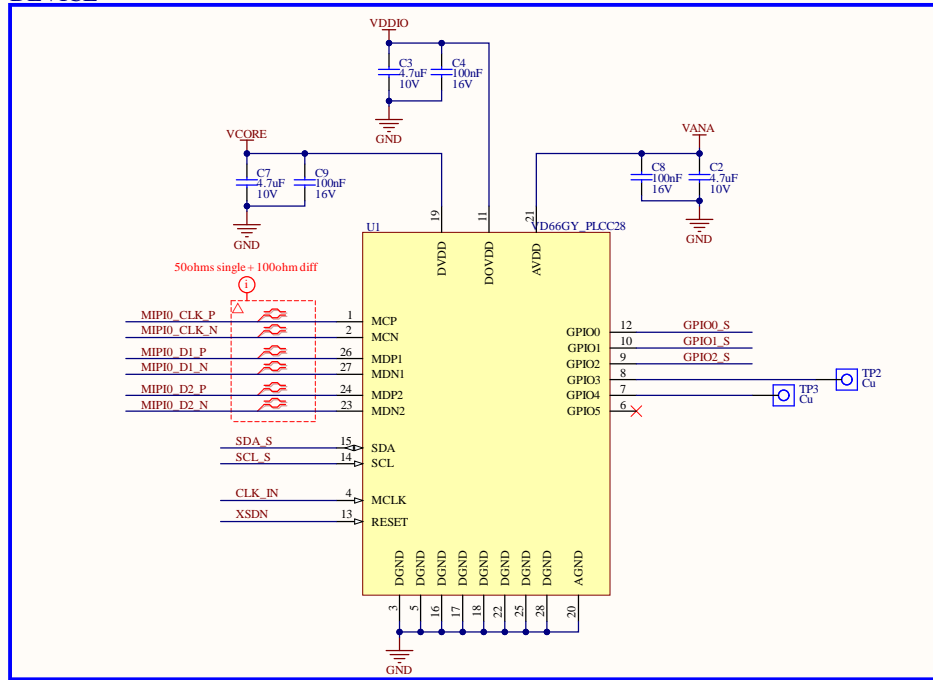
SHEET 01: TITLE
SHEET 02: Sensor
SHEET 03: Interface

REVISION HISTORY

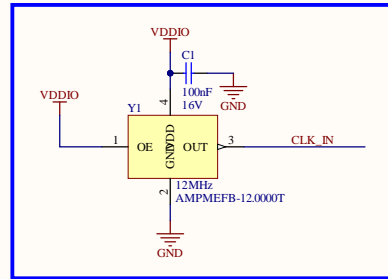
DATE	VERSION	NAME	DESCRIPTION
28/05/2024	000		



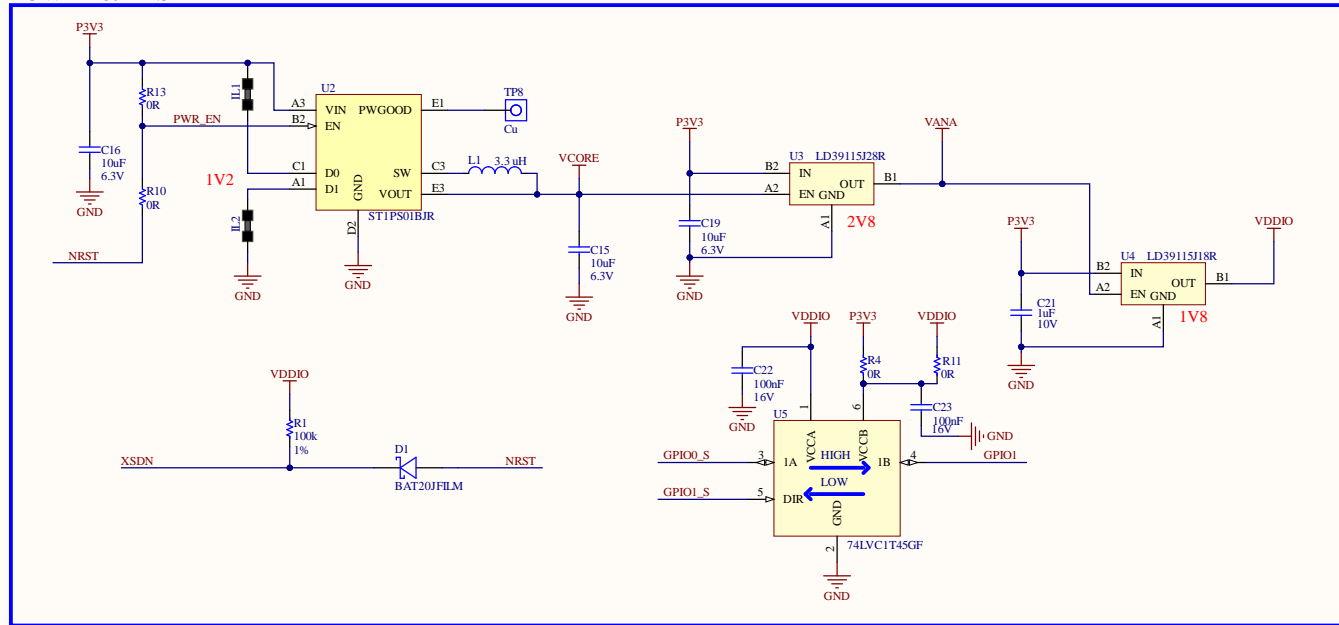
DEVICE



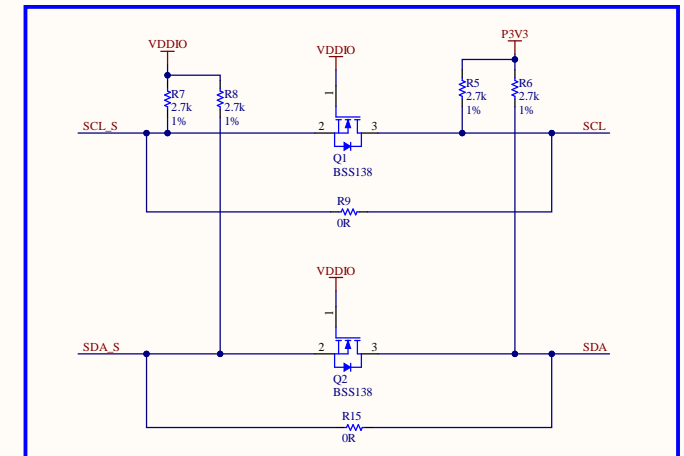
CLOCK



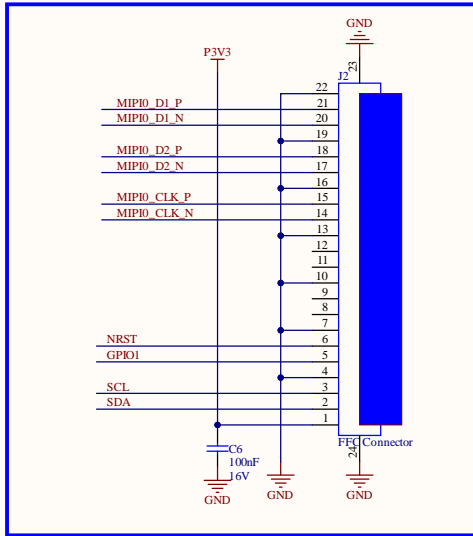
POWER & RESET



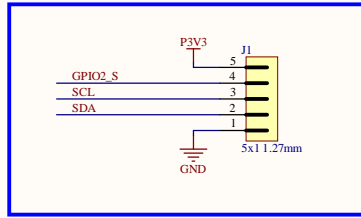
I2C



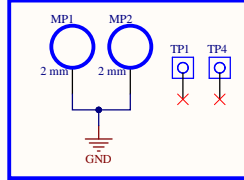
Raspberry



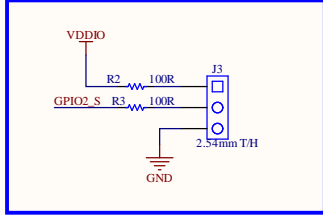
Illuminator



FIXATION



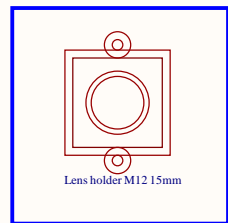
HEADER



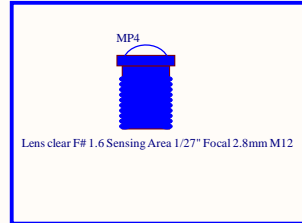
BOARD STICKER



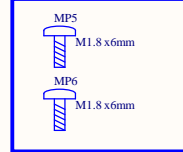
LENS HOLDER



LENS



Screw



Cable

