

STEVAL-CAM-M0I

PCB4280D

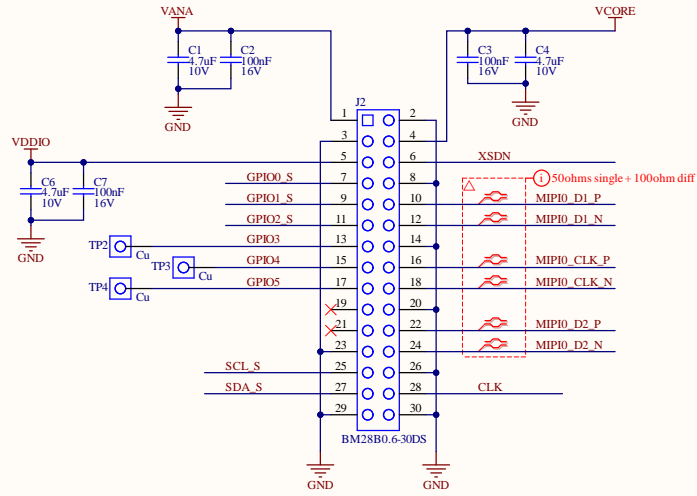
REVISION HISTORY

DATE	VERSION	NAME	DESCRIPTION
28/05/2024	000		

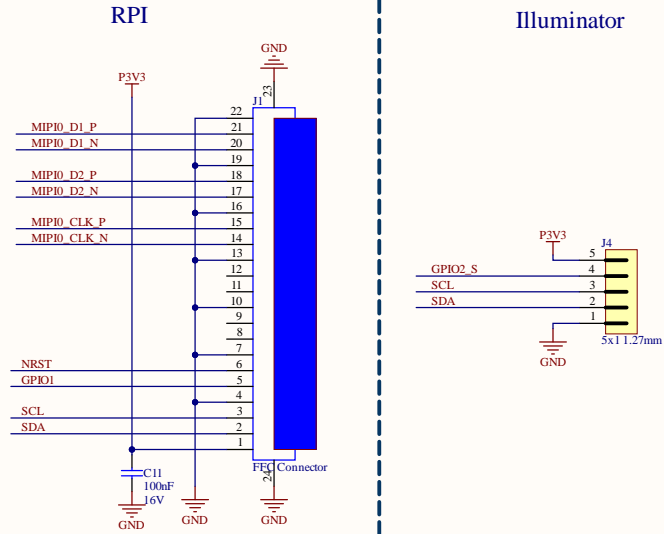
SHEET 01: TITLE
SHEET 02: SENSOR
SHEET 03: MECHANICAL CONSTRAINTS



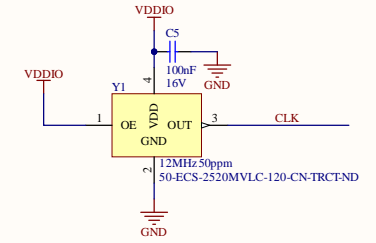
Module Sensor



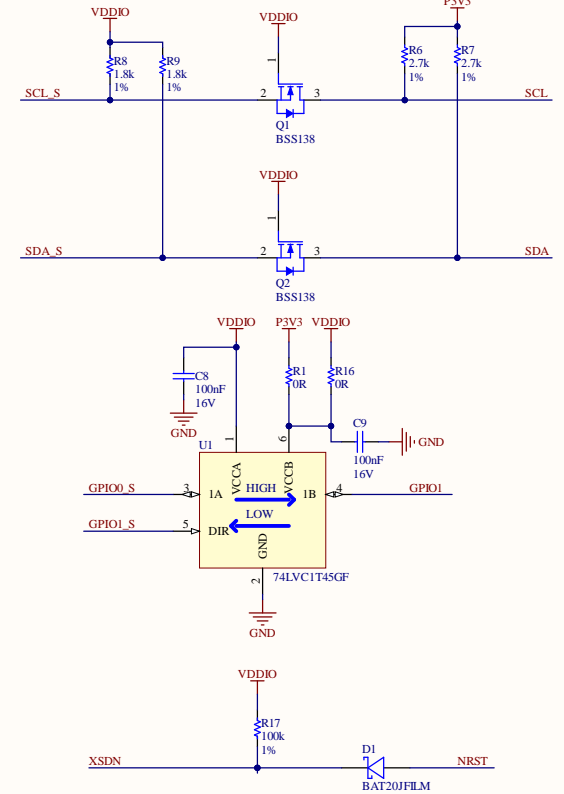
INTERFACE



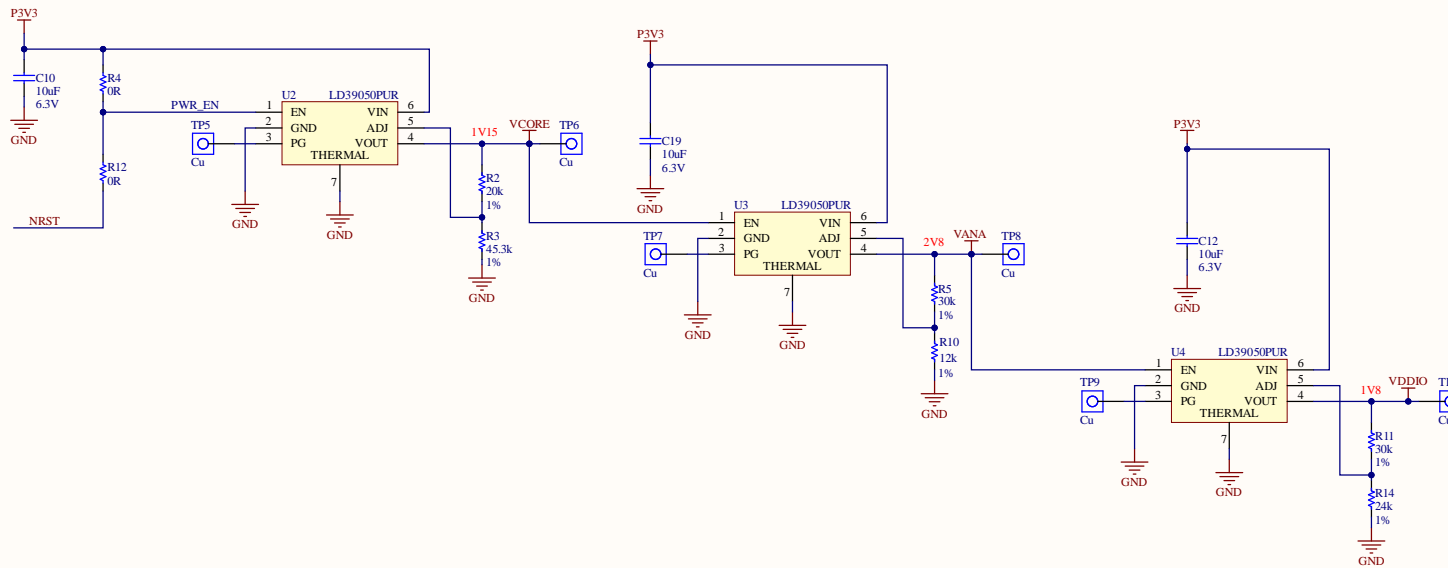
CLOCK



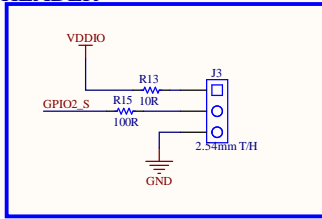
Level Shifting



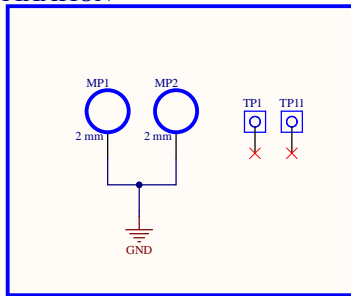
Power & Reset



HEADER



FIXATION



BOARD STICKER



Cable

