

# STEVAL-ILD004V2

# Schematic diagram

Figure 1: STEVAL-ILD004V2 circuit schematic (1 of 3)

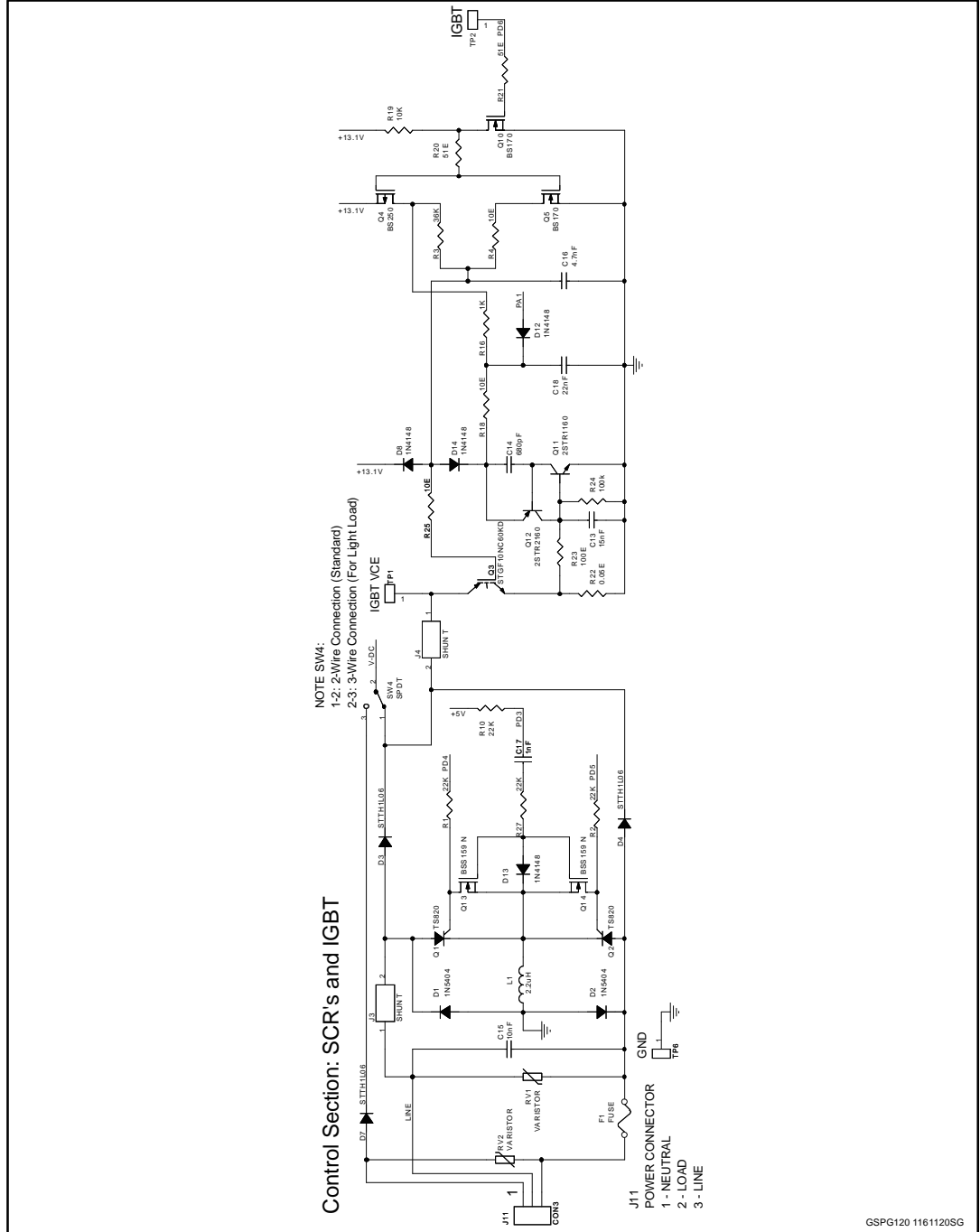


Figure 2: STEVAL-ILD004V2 circuit schematic (2 of 3)

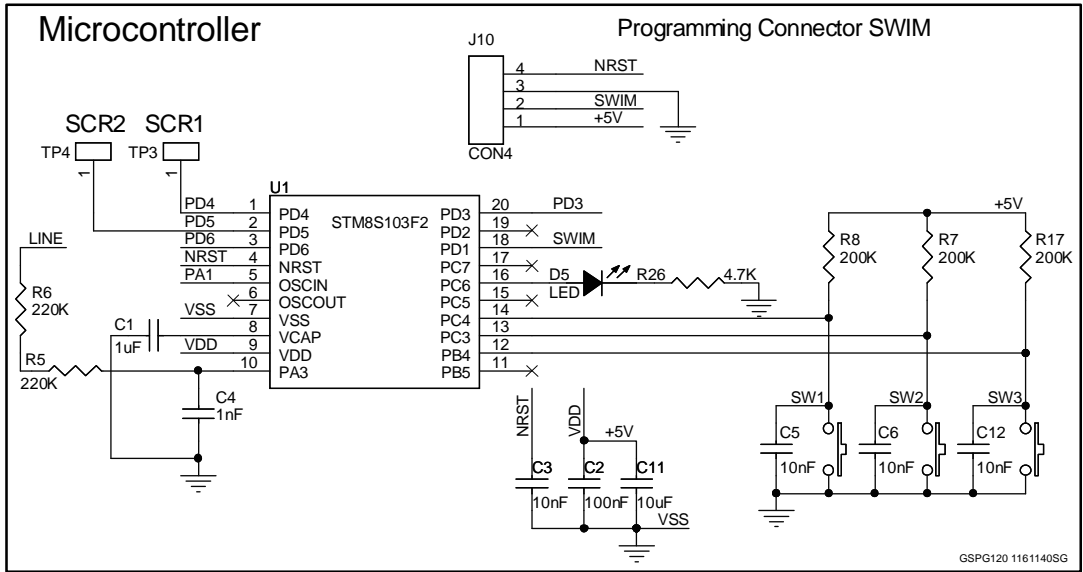


Figure 3: STEVAL-ILD004V2 circuit schematic (3 of 3)

