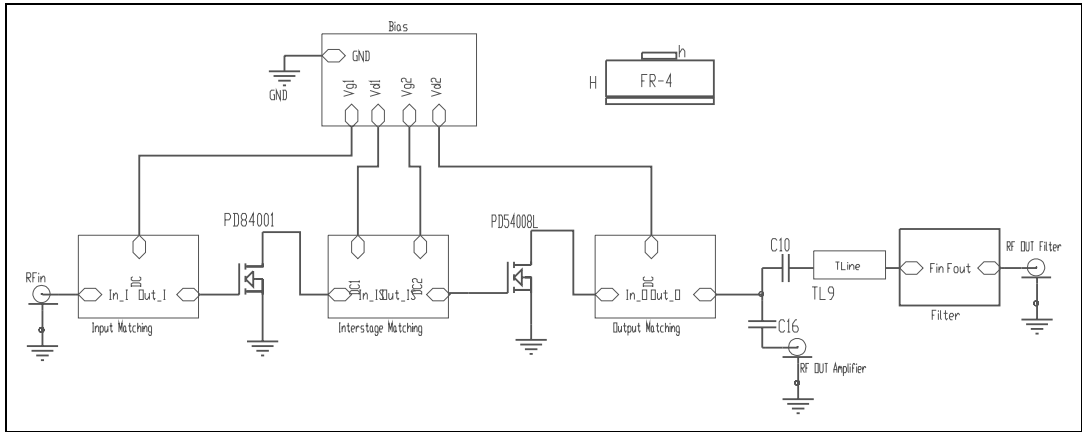
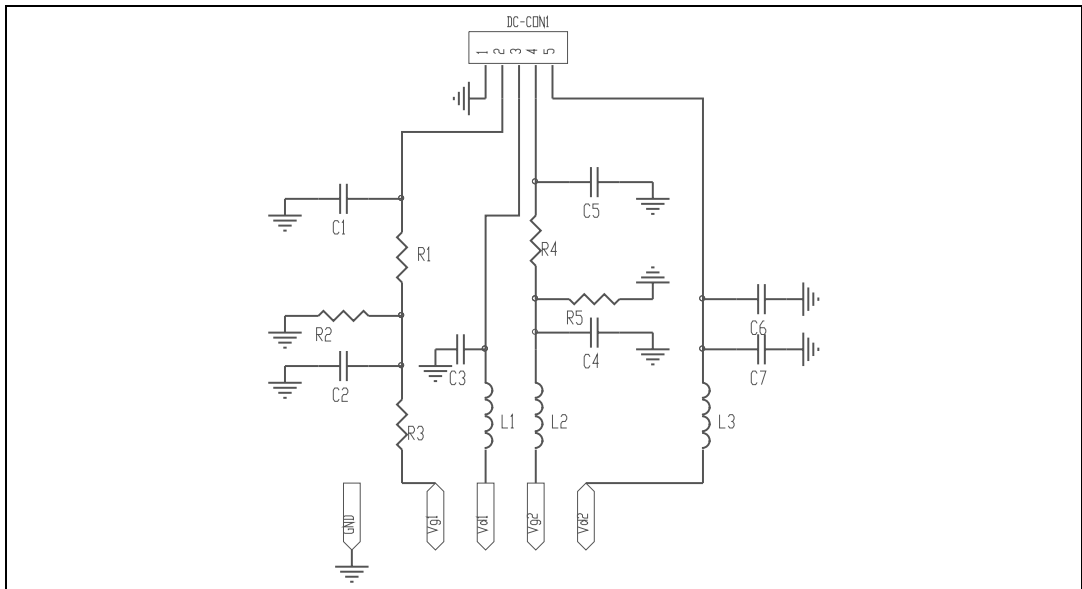


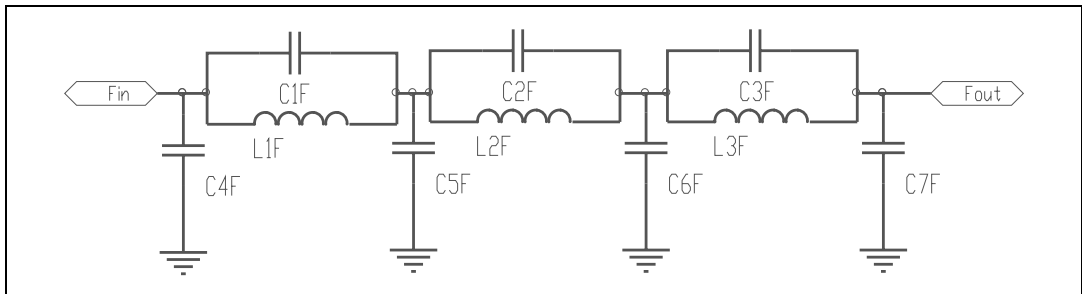
Circuit schematic



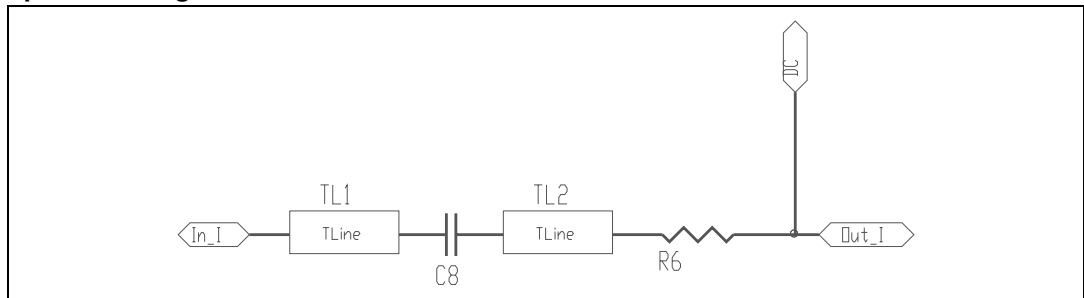
Bias schematic



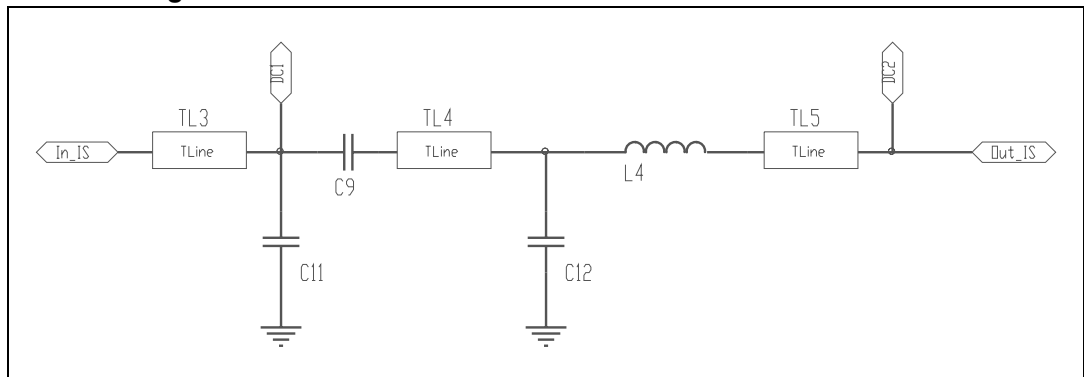
Filter schematic



**Input matching schematic**



**Inter matching schematic**



**Output matching schematic**

