

PCB4073A; SATEL-VD6283TX

VD6283TX Breakout Board

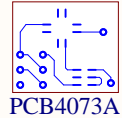
PCB4073A

- SHEET 01: TITLE
- SHEET 02: TOP LEVEL
- SHEET 03: RAINBOW
- SHEET 04: USER HEADER
- SHEET 05: LEVEL SHIFTER
- SHEET 06: POWER

MP2

PCBXXXXY- LABEL 10 x 3.5mm
Label and PCB Number Placeholder

A1



PCB4073A

Top Level
Top_Level.SchDoc



STMicroelectronics - Imaging Division

This drawing is the property of STMicroelectronics and must not be copied or reproduced in any way without the written permission of STMicroelectronics

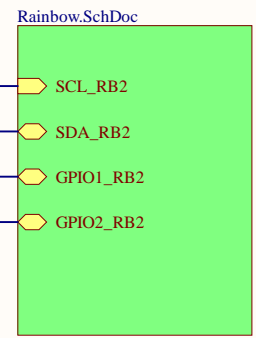
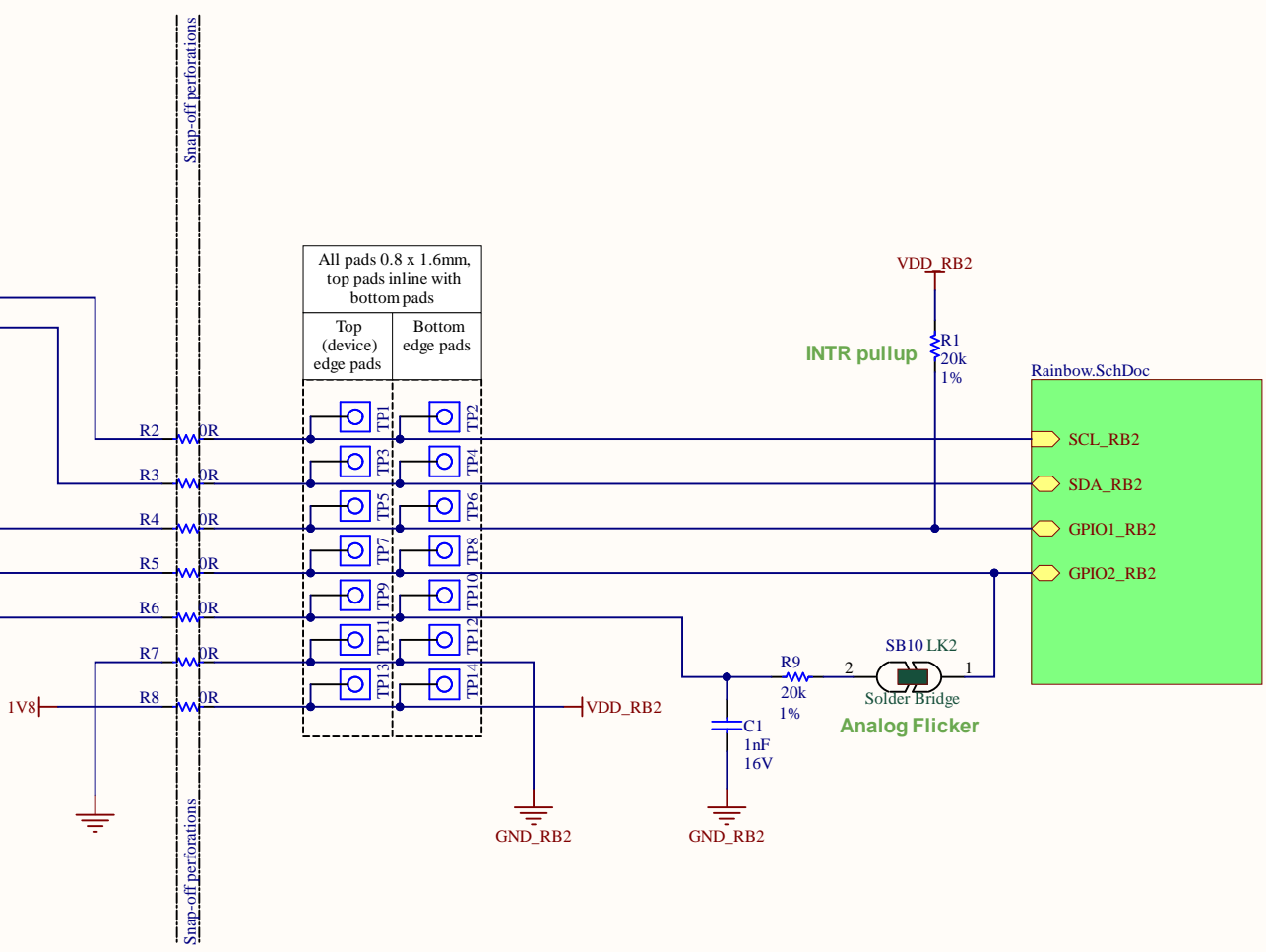
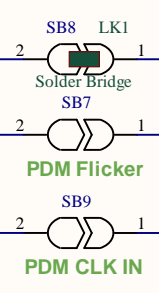
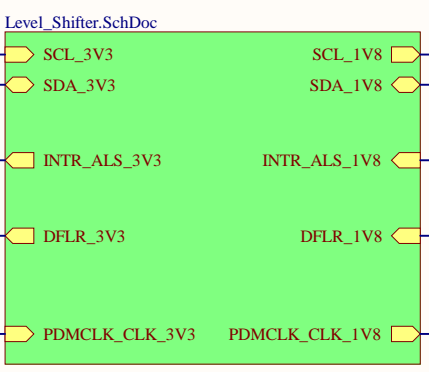
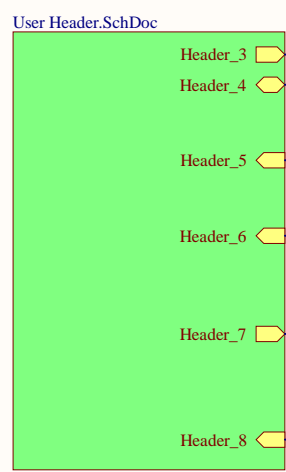
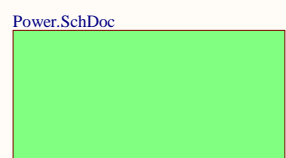
Design Name:
PCB4073A; VD6283TX Breakout Board

Sheet Name:
Title.SchDoc

Drawn By:
Dwg. No:
PCB4073

Date:
16/12/2020 14:50:37
Rev:
A
Ver:
005

SHEET 1 OF 6
Variant:
00A



STMicroelectronics - Imaging Division

This drawing is the property of STMicroelectronics and must not be copied or reproduced in any way without the written permission of STMicroelectronics

Design Name:
PCB4073A; VD6283TX Breakout Board

Sheet Name:
Top_Level.SchDoc

Drawn By:

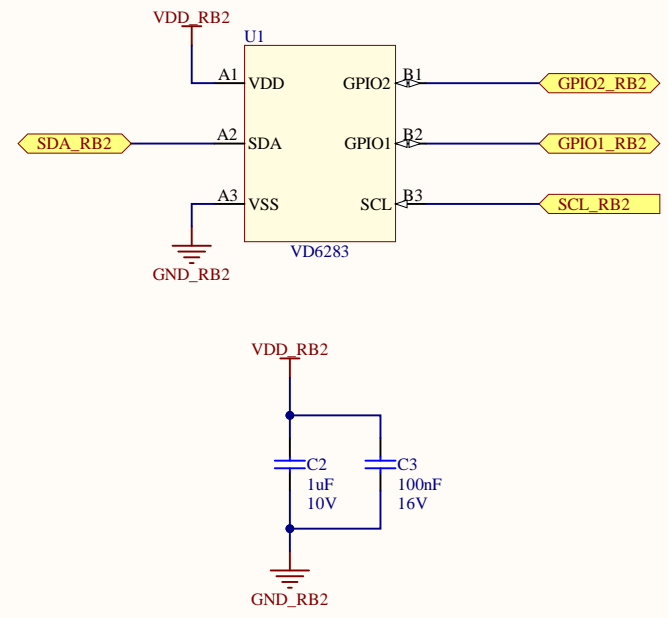
Dwg. No:
PCB4073

Date:
16/12/2020 14:50:37

Rev:
A Ver:
005

SHEET 2 OF 6

Variant:
00A



STMicroelectronics - Imaging Division

This drawing is the property of STMicroelectronics and must not be copied or reproduced in any way without the written permission of STMicroelectronics

Design Name:
PCB4073A; VD6283TX Breakout Board

Sheet Name:
VD6283TX.SchDoc

Drawn By:

Dwg. No:
PCB4073

Date:
16/12/2020 14:50:37

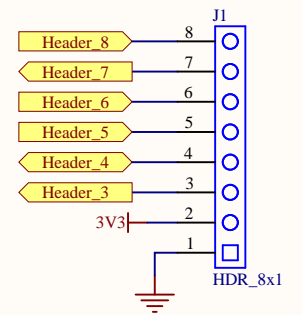
Rev:
A

SHEET 3 OF 6

Ver:
005

Variant:
00A

User Header



STMicroelectronics - Imaging Division

This drawing is the property of STMicroelectronics and must not be copied or reproduced in any way without the written permission of STMicroelectronics

Design Name:
PCB4073A; VD6283TX Breakout Board

Sheet Name:
User Header.SchDoc

Drawn By:

Dwg. No:
PCB4073

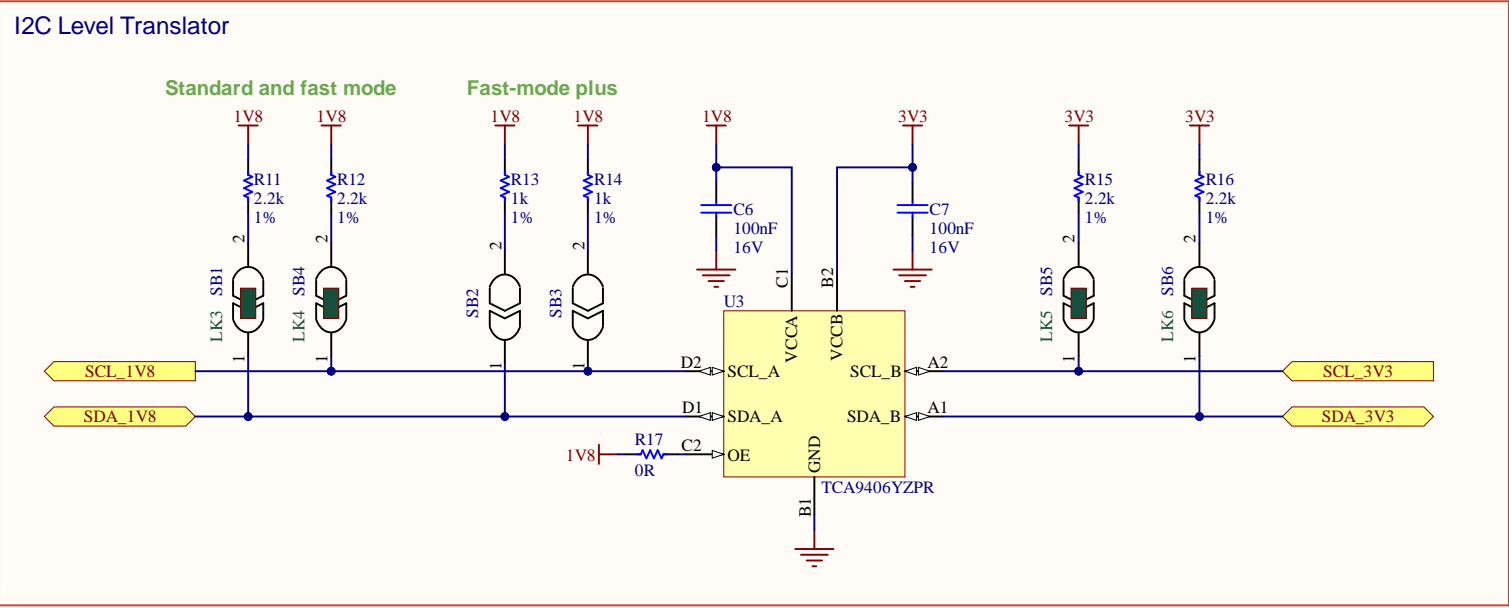
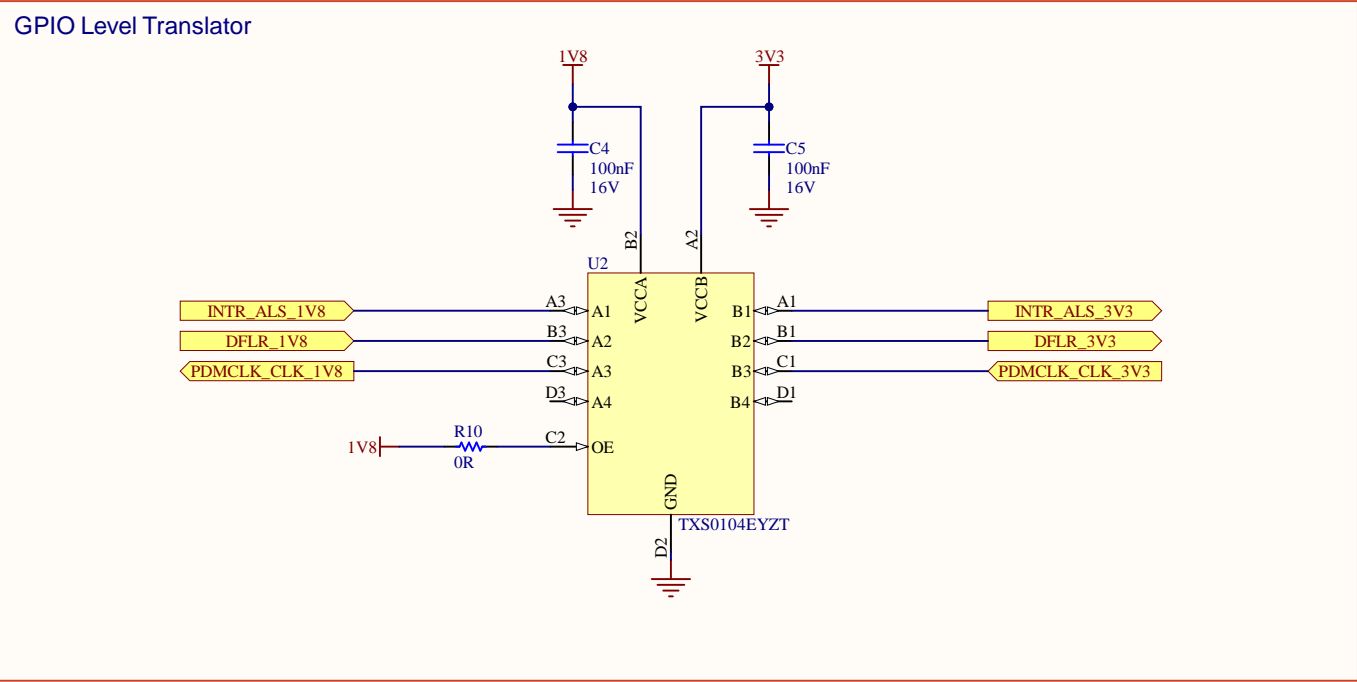
Date:
16/12/2020 14:50:37

Rev:
A

Ver:
005

SHEET 4 OF 6

Variant:
00A



STMicroelectronics - Imaging Division

This drawing is the property of STMicroelectronics and must not be copied or reproduced in any way without the written permission of STMicroelectronics

Design Name:
PCB4073A; VD6283TX Breakout Board

Sheet Name:
Level_Shifter.SchDoc

Drawn By:

Dwg. No:
PCB4073

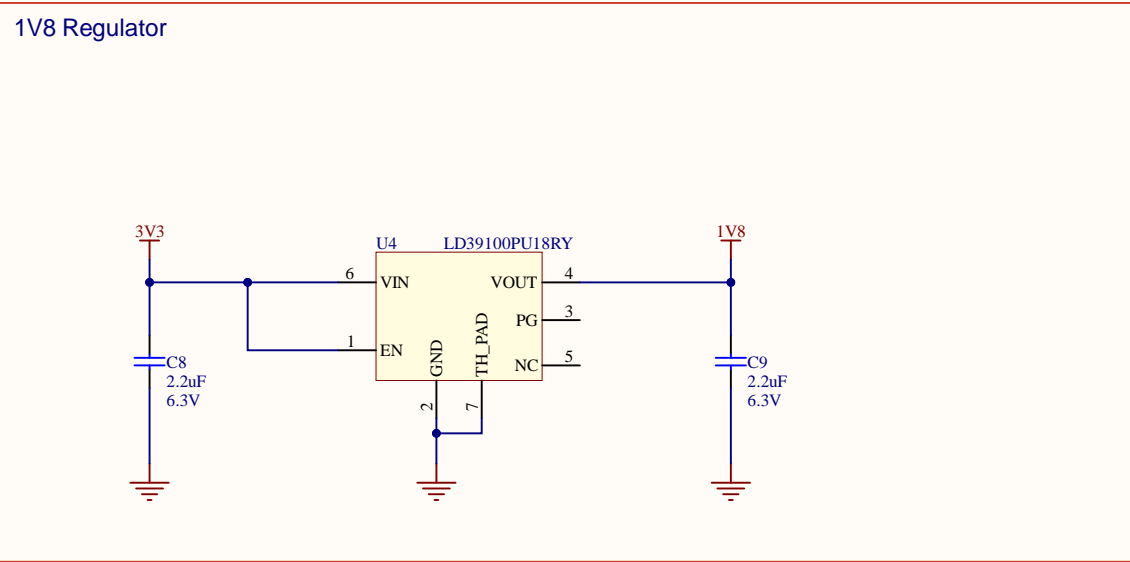
Date:
16/12/2020 14:50:37

Rev:
A

SHEET 5 OF 6

Ver:
005

Variant:
00A



STMicroelectronics - Imaging Division

This drawing is the property of STMicroelectronics and must not be copied or reproduced in any way without the written permission of STMicroelectronics

Design Name:
PCB4073A; VD6283TX Breakout Board

Sheet Name:
Power.SchDoc

Drawn By:
Dwg. No:
PCB4073

Date:
16/12/2020 14:50:37
Rev:
A
Ver:
005

SHEET 6 OF 6
Variant:
00A