

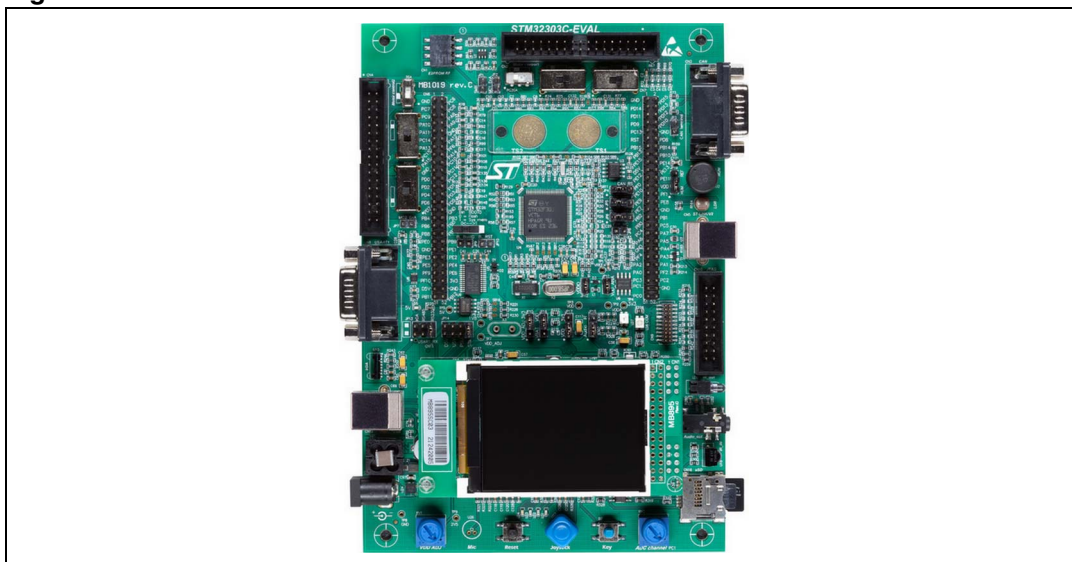
### Introduction

The STM32303C-EVAL evaluation board has been designed as a complete demonstration and development platform for STMicroelectronics' ARM cortex-M4 core-based STM32F303VCT6 microcontrollers. It features two I<sup>2</sup>Cs, three SPIs, five USARTs, one CAN, four 12-bit ADCs, two 12-bit DACs, internal 40-KByte Data SRAM, 8-KByte Program SRAM and 256-KByte Flash, Touch sensing, USB FS, JTAG debugging support. This evaluation board can be used as the reference design for user application development but it is not considered as a final application.

The full range of hardware features on the board help you to evaluate all peripherals (USB FS, USART, Audio DAC and ADC, TFT color LCD, IrDA, LDR, MicroSD card, Motor control connectors, Humidity Sensor, High Brightness LED, CAN, IR, EEPROM, Touch Sensing Buttons & Temperature Sensor... etc.) and to develop your own applications. Extension headers make it possible to easily connect a daughter board or a wrapping board for your specific application.

An ST-LINK/V2 is integrated on the board as an embedded in-circuit debugger and programmer for the STM32 MCU.

**Figure 1. STM32303C-EVAL evaluation board**



[Table 1](#) lists the evaluation tools concerned by this user manual.

**Table 1. Applicable tools**

Type	Applicable tools
Evaluation tools	STM32303C-EVAL

# Contents

- 1 Overview ..... 6**
  - 1.1 Features ..... 6
  - 1.2 Demonstration software ..... 6
  - 1.3 Order code ..... 6
  - 1.4 Delivery recommendations ..... 7
  
- 2 Hardware layout and configuration ..... 8**
  - 2.1 Development and debug support ..... 10
  - 2.2 Power supply ..... 11
  - 2.3 Clock source ..... 13
  - 2.4 Reset source ..... 14
  - 2.5 Boot option ..... 14
  - 2.6 Audio ..... 15
  - 2.7 USB ..... 16
  - 2.8 RS232, RS-485 and IrDA ..... 16
  - 2.9 Touch-sensing buttons ..... 17
  - 2.10 MicroSD card ..... 18
  - 2.11 Serial EEPROM ..... 18
  - 2.12 RF EEPROM ..... 18
  - 2.13 EEPROM ..... 18
  - 2.14 CAN ..... 19
  - 2.15 IR LED and IR receiver ..... 19
  - 2.16 High brightness LED ..... 19
  - 2.17 Humidity sensor ..... 19
  - 2.18 Comparator ..... 20
  - 2.19 Temperature sensor ..... 20
  - 2.20 Display and input devices ..... 21
  - 2.21 Motor control ..... 22
  
- 3 Connector ..... 26**
  - 3.1 RF EEPROM daughter board connector (CN1) ..... 26

---

3.2	Motor control connector (CN2) .....	27
3.3	CAN D-type 9-pin male connector (CN3) .....	28
3.4	Motor control connector (CN4) .....	29
3.5	ST-LINK/V2 USB type-B connector (CN5) .....	30
3.6	Daughter board extension connectors (CN6 and CN7) .....	30
3.7	RS232 and RS485 connector (CN8) .....	34
3.8	ETM Trace debugging connector (CN9) .....	35
3.9	JTAG/SWD connector (CN10) .....	35
3.10	Audio jack (CN11) .....	36
3.11	User USB type-B connector (CN12) .....	36
3.12	ST-LINK/V2 programming connector (CN13) .....	36
3.13	Power connector (CN14) .....	37
3.14	TFT LCD connector (CN15) .....	37
3.15	MicroSD connector (CN16) .....	38
<b>4</b>	<b>Schematics</b> .....	<b>39</b>
	<b>Appendix A STM32303C-EVAL I/O assignment</b> .....	<b>53</b>
	<b>Appendix B Mechanical dimensions</b> .....	<b>56</b>
	<b>Revision history</b> .....	<b>57</b>

## List of tables

Table 1.	Applicable tools. . . . .	1
Table 2.	Third-party support of ST-LINK/V2 . . . . .	10
Table 3.	Power supply jumper settings. . . . .	11
Table 4.	Power mode related jumpers . . . . .	12
Table 5.	Low voltage limitation . . . . .	13
Table 6.	32 kHz crystal X1 related solder bridges . . . . .	13
Table 7.	8 MHz crystal X2 related solder bridges . . . . .	14
Table 8.	Boot-related switch . . . . .	14
Table 9.	Boot0-related jumper . . . . .	15
Table 10.	Audio-related jumpers. . . . .	15
Table 11.	RS232, RS485 and IrDA related jumpers. . . . .	16
Table 12.	RS485 related solder bridges . . . . .	17
Table 13.	Touch-sensing button related solder bridges . . . . .	17
Table 14.	EEPROM Related Jumpers . . . . .	18
Table 15.	CAN related jumpers . . . . .	19
Table 16.	Humidity sensor related jumper . . . . .	20
Table 17.	Temperature sensor related jumpers . . . . .	20
Table 18.	LCD modules . . . . .	21
Table 19.	Motor control related jumpers. . . . .	23
Table 20.	Motor control related switches and solder bridges in OAM position . . . . .	24
Table 21.	Motor control related switches and solder bridges in PGM position . . . . .	25
Table 22.	RF EEPROM daughter board connector (CN1) . . . . .	26
Table 23.	Motor control 1 connector (CN2) . . . . .	27
Table 24.	CAN D-type 9-pin male connector (CN3) . . . . .	28
Table 25.	Motor control 2 connector (CN4) . . . . .	29
Table 26.	USB type-B connector (CN5) . . . . .	30
Table 27.	Daughter board extension connector (CN6) . . . . .	30
Table 28.	Daughter board extension connector (CN7) . . . . .	32
Table 29.	RS232 and RS485 connector (CN8) with ISP support . . . . .	34
Table 30.	ETM trace debugging connector (CN9) . . . . .	35
Table 31.	JTAG/SWD debugging connector CN10 . . . . .	36
Table 32.	USB type-B connector (CN12) . . . . .	36
Table 33.	MicroSD connector (CN16). . . . .	38
Table 34.	STM32303C-EVAL I/O assignment . . . . .	53
Table 35.	Mechanical dimensions . . . . .	56
Table 36.	Document revision history . . . . .	57

## List of figures

Figure 1.	STM32303C-EVAL evaluation board	1
Figure 2.	Hardware block diagram	8
Figure 3.	STM32303C-EVAL evaluation board layout	9
Figure 4.	STM32303C-EVAL comparator features	20
Figure 5.	Resistor positions on the PCB board: even number removing	22
Figure 6.	Resistor positions on the PCB board: odd number mounting	23
Figure 7.	RF EEPROM daughter board connector (CN1)	26
Figure 8.	Motor control 1 connector (CN2)	27
Figure 9.	CAN D-type 9-pin male connector (CN3)	28
Figure 10.	Motor control 2 connector (CN4)	29
Figure 11.	USB type-B connector (CN5)	30
Figure 12.	RS232 and RS485 connector	34
Figure 13.	ETM Trace debugging connector (CN9)	35
Figure 14.	JTAG/SWD debugging connector (CN10)	35
Figure 15.	USB type-B connector (CN12)	36
Figure 16.	Power supply connector (CN14)	37
Figure 17.	MicroSD connector (CN16)	38
Figure 18.	STM32330C-EVAL board (MB1019)	39
Figure 19.	STM32330C-EVAL MCU	40
Figure 20.	STM32330C-EVAL Power	41
Figure 21.	STM32330C-EVAL RS232, RS485 and IrDA	42
Figure 22.	STM32330C-EVAL Audio	43
Figure 23.	STM32330C-EVAL Motor control	44
Figure 24.	STM32330C-EVAL CAN, IR, High-brightness LED and Humidity sensor	45
Figure 25.	STM32330C-EVAL LCD, SDCard and Flash	46
Figure 26.	STM32330C-EVAL I2C peripherals	47
Figure 27.	STM32330C-EVAL peripherals	48
Figure 28.	STM32330C-EVAL ST-LINK (JTAG only)	49
Figure 29.	STM32330C-EVAL JTAG and Trace	50
Figure 30.	TM32330C-EVAL touch sensing	51
Figure 31.	Color LCD daughter board (MB895)	52
Figure 32.	Mechanical dimensions	56

# 1 Overview

## 1.1 Features

- Four 5 V power supply options: Power jack, ST-LINK/V2 USB connector, User USB connector or daughter board
- I<sup>2</sup>S Audio DAC, stereo audio jack which supports headset with microphone
- 2-Gbyte or more SPI interface MicroSD card
- I<sup>2</sup>C compatible serial interface temperature sensor, EEPROM and RF EEPROM
- RS232 and RS485 communication
- IrDA transceiver
- JTAG/SWD and ETM trace debug support, ST-LINK/V2 embedded
- 1-Mbit SPI serial Flash memory
- 240x320 TFT color LCD connected to the SPI interface
- Joystick with 4-direction control and selector
- Reset, Tamper or Key button
- 4-color user LEDs and high brightness LED
- Humidity sensor
- Extension connectors for daughter board or wrapping board
- MCU voltage choice: 3.3 V or adjustable from 2.0 V to 3.6 V
- USB FS connector
- Touch-sensing buttons
- RTC with backup battery
- CAN2.0A/B compliant connection
- Light-dependent resistor (LDR)
- IR LED and receiver
- Potentiometer
- 2 motor control connectors

## 1.2 Demonstration software

The demonstration software is preloaded in the board's Flash memory for an easy demonstration of the device peripherals in standalone mode. For more information and to download the latest version available, please refer to the STM32303C-EVAL demonstration software available on [www.st.com](http://www.st.com).

## 1.3 Order code

To order the STM32F303VCT6 evaluation board, use the STM32303C-EVAL order code.

## 1.4 Delivery recommendations

Before using the board for the first time, please verify that nothing was damaged during shipment and that no components are unplugged or lost.

When the board is extracted from its plastic bag, please check that no component remains in the bag.

The main components to verify are:

1. The 8 MHz crystal (X2) which may have been removed from its socket by a shock.
2. The MicroSD card which may have been ejected from the CN16 connector (right side of the board).
3. The dual-interface EEPROM board (ANT7-M24LR-A) which may have been unplugged from the CN1 connector (top left corner of the board).

For all information concerning the version of the MCU used on the board, its specification and possible related limitations, please visit the ST web site to download the relevant data sheet and erratasheet.



**Warning:** This equipment contains parts (principally an LCD), subject to be damaged by electrostatic discharge (ESD). Before touching the LCD or its connector (CN1 on MB895), use one of these following ESD precautionary procedures:

**Wear a ground strap. The function of such strap is to rapidly and safely dissipate personnel static charge to the ground.**

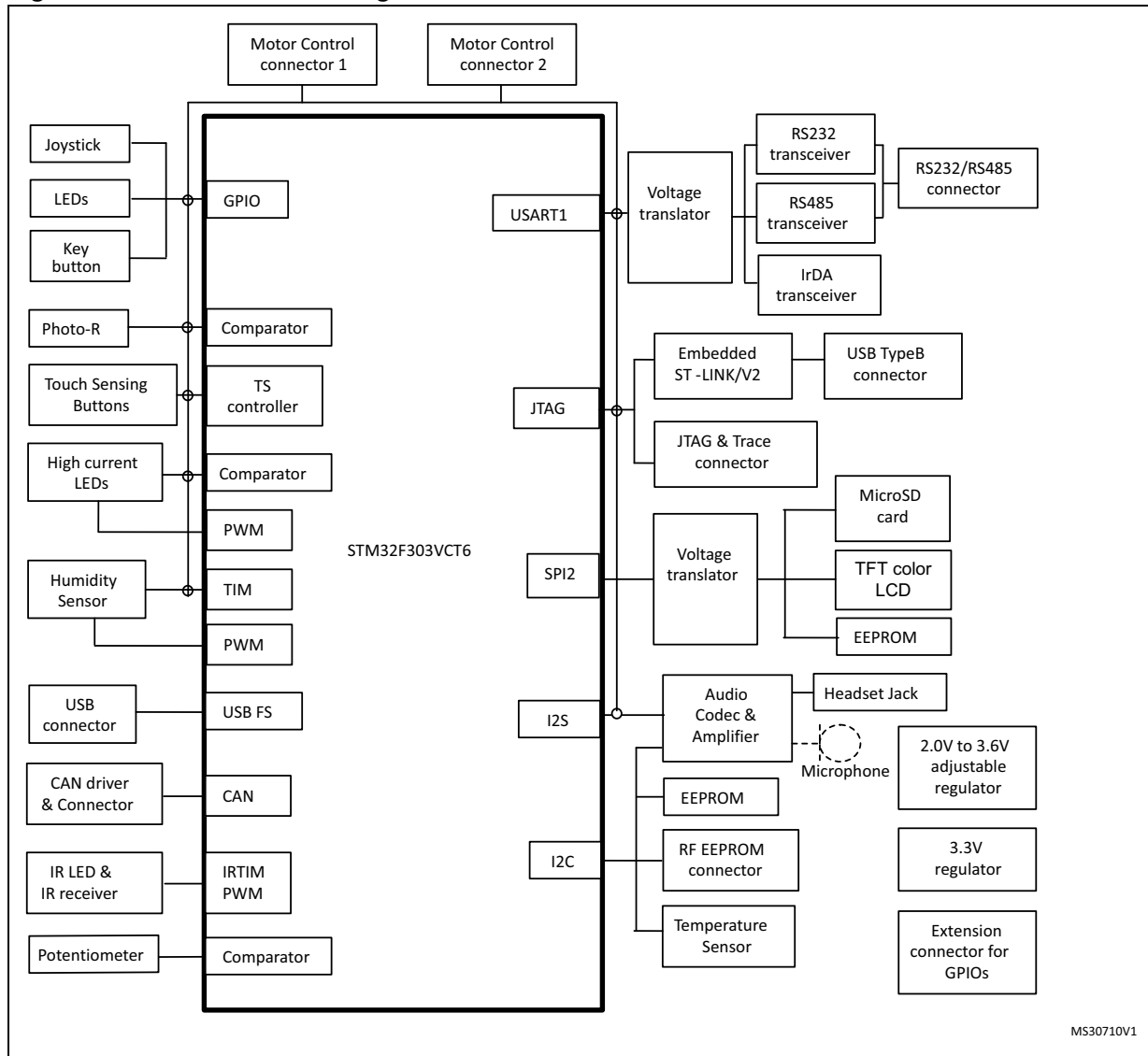
**Touch the ground before all other nets or components on board. The easiest way to proceed is to touch with a finger the shield available on DB9 connectors (CN3 & CN8), USB connector (CN5) or uSD card connector (CN16).**

---

## 2 Hardware layout and configuration

The STM32303C-EVAL evaluation board has been designed around the STM32F303VCT6 microcontroller (100-pin TQFP package). The hardware block diagram in [Figure 2](#) illustrates the connection between the STM32F303VCT6 microcontroller and its peripherals (color LCD, touch sensing buttons, USB FS connector, motor control connectors, temperature sensor, USART, IrDA, Audio, EEPROM, RF EEPROM, MicroSD card and embedded ST-LINK). [Figure 3](#) helps to locate these features on the actual evaluation board.

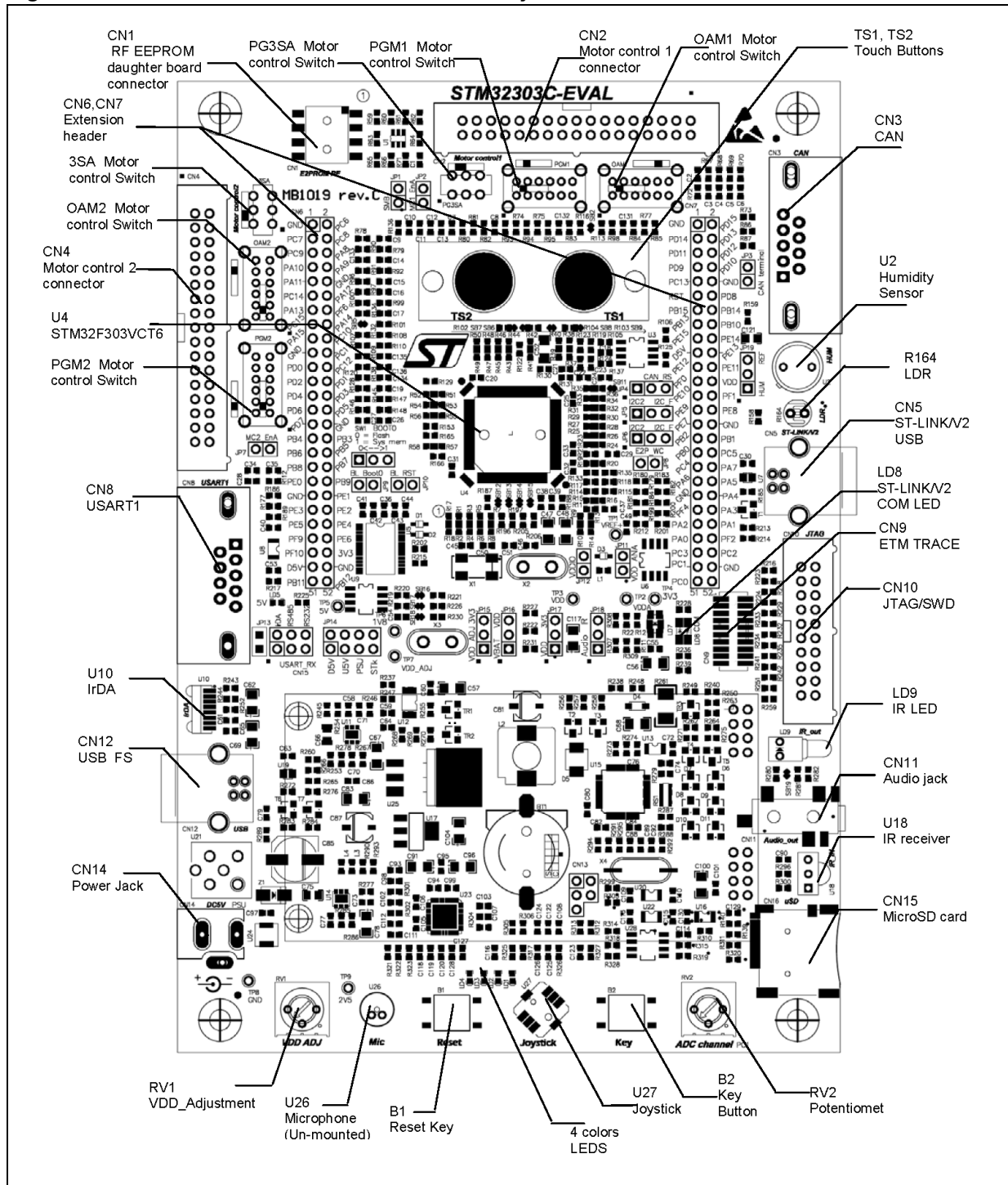
**Figure 2. Hardware block diagram**



Note: 'o' = I/O shared with Motor Control.



Figure 3. STM32303C-EVAL evaluation board layout



## 2.1 Development and debug support

Version 2 of ST-LINK, called ST-LINK/V2, is embedded on the board. This tool allows program loading and debugging of the STM32 on board using a JTAG or SWD interface. The third-party debug tools are also supported by the JTAG/SWD connector, CN10, or the ETM Trace connector, CN9.

A specific driver needs to be installed on your PC for communication with embedded ST-LINK/V2. The install shield called ST-LINK\_V2\_USBdriver.exe is available at [www.st.com/stlinkv2](http://www.st.com/stlinkv2).

Third-party toolchains, Atollic TrueSTUDIO, KEIL MDK-ARM, IAR EWARM and Tasking VX-Toolset support ST-LINK/V2 according to [Table 2](#).

**Table 2. Third-party support of ST-LINK/V2**

Third party	Toolchain	Version
Atollic	TrueSTUDIO	2.1
IAR	EWARM	6.20
Keil	MDK-ARM	4.20
TASKING	VX-toolset for ARM Cortex-M	4.0.1

The embedded ST-LINK/V2 is connected to the PC via a standard USB cable connected to connector CN5. The bicolor LED LD8 (COM) advises on the status of the communication as follows:

- Slow blinking red/off: at power on before USB init
- Fast blinking red/off: after the first correct communication between PC and ST-Link/V2 (enumeration)
- Red LED on: when the initialization between PC and ST-LINK/V2 has been successful
- Green LED on: after a successful target communication initialization
- Blinking red/green: during communication with target
- Red on: communication finished and OK
- Orange on: communication failure

*Note:* The board can be powered via CN5 (Embedded ST/LINK/V2 USB connector) even if an external tool is connected to CN9 (ETM Trace connector) or CN10 (External JTAG & SWD connector).

*R111 needs to be removed when using ETM 4-bit function. In this case, the key button does not work.*

## 2.2 Power supply

The STM32303C-EVAL evaluation board has been designed to be powered by 5 V DC power supply and to be protected by PolyZen from wrong power plug-in event. The evaluation board can be configured to use any of the four following sources of power supply:

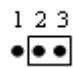
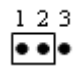
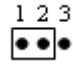
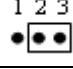
- 5 V DC power adapter connected to CN14, the power jack on the board (Power supply unit (PSU) on silkscreen of JP14). The external power supply is not provided with the board.
- 5 V DC power with 500 mA limitation from CN5, the USB type B connector of ST-LINK/V2 (USB 5 V power source on silkscreen of JP14 ( STIk)).
- 5V DC power with 500mA limitation from CN12, the USB type B connector (USB 5V power source on silkscreen of JP14 (USB)).
- 5V DC power from CN6 & CN7, the extension connectors for daughter board (daughter board power source on silkscreen of JP14 (D5V)).

The power supply is configured by setting the related jumpers JP14, JP15, JP16 and JP17 as described in [Table 3](#).

**Table 3. Power supply jumper settings**

Jumper	Description	Setting
JP14	JP14 is used to select one of the four possible power supply resources. For power supply from the daughter board connectors (CN6 and CN7) to STM32303C-EVAL only, JP14 is set as shown to the right:	<p>STIk PSU USB D5V</p>
	For power supply from USB (CN12) to STM32303C-EVAL only, JP14 is set as shown to the right:	
	For power supply jack (CN14) to the STM32303C-EVAL only, JP14 is set as shown to the right:	
	For power supply from USB connector of ST-LINK/V2 (CN5) to STM32303C - EVAL only, JP14 is set as shown to the right (default setting):	
	For power supply from power supply jack (CN14) to both STM32303C -EVAL and daughter board connected on CN6 and CN7, JP14 is set as shown to the right (the daughter board must not have its own power supply connected):	
JP16	Vbat is connected to the battery when JP16 is set as shown to the right:	<p>1 2 3</p>
	Vbat is connected to VDD power when JP16 is set as shown to the right (default setting):	<p>1 2 3</p>

**Table 3. Power supply jumper settings (continued)**

Jumper	Description	Setting
JP15	VDD is connected to fixed +3.3 V DC power when JP15 is set as shown to the right (default setting):	
	VDD is connected to adjustable DC power from 2.0 V to 3.6 V when JP15 is set as shown to the right:	
JP17	VDDA power is connected to VDD when JP17 is set as shown to the right (default setting):	
	VDDA power is connected to fixed +3.3 V DC power when JP17 is set as shown to the right:	

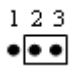
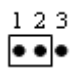
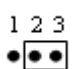
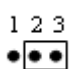
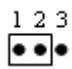
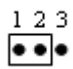
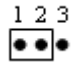
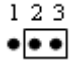
*Note:* Though technically adjustable from 2.0 V to 3.6 V, VDD has been designed to adjust from 2.1 V to 3.5 V considering some peripheral component specifications.

LED LD8 is lit when the STM32303C-EVAL evaluation board is correctly powered by 5 V.

A total of three power modes are supported on the board, and can be configured by setting the related jumpers JP15 and JP17 as described in [Table 4](#) and the Note below.

- Mode1: VDD and VDDA were connected together and powered by fixed 3.3 V.
- Mode2: VDD and VDDA were connected together and powered by an adjustable voltage from 2.0 V to 3.6 V.
- Mode3: VDD is powered by an adjustable voltage from 2.0 V to 3.6 V while VDDA is powered by fixed 3.3 V.

**Table 4. Power mode related jumpers**

Power mode	Power mode configuration		MCU I <sub>DD</sub> measurement
	JP15	JP17	
Mode1			OK
			NOT allowed
Mode2			OK
Mode3			NOT allowed

**Note:** *MCU  $I_{DD}$  measurement can be done by the current meter which is mounted on JP12 when it is open.*

*JP11 must be open (disconnect VDDA from all analog power VDD\_ANA connected to the analog circuit) for MCU  $I_{DD}$  measurement.*

Due to the characters of some peripheral components' specification, the low voltage limitations related to the operating voltage of the peripherals (a component will not work correctly when the power level is under the low voltage limitation) are shown in [Table 5](#).

**Table 5. Low voltage limitation**

Peripheral	Component	I/O name	Low voltage limitation
USB	CN12	USB	3V
CAN	CN3	CAN	3V
Temperature sensor	U1	I2C2	2.25V

**Note:** *When an external DC 5V power supply is used to power the STM32303C-EVAL, it needs to be connected to CN14 after verifying the correct polarity as explained in [Section 3.13](#).*

**Caution:** RISK OF EXPLOSION IF THE BATTERY IS REPLACED BY AN INCORRECT TYPE. DISPOSE OF USED BATTERIES ACCORDING TO THE INSTRUCTIONS.

## 2.3 Clock source

Two clock sources are available on the STM32303C-EVAL evaluation board for STM32F303VCT6 and RTC embedded:

- X1, 32 kHz crystal for embedded RTC
- X2, 8 MHz crystal with socket for the STM32F303VCT6 microcontroller; it can be removed from the socket when an internal RC clock is used.

**Table 6. 32 kHz crystal X1 related solder bridges**

Solder bridge	Description
SB12	PC14 is connected to the 32 KHz crystal when SB12 is open (default setting).
	PC14 is connected to the extension connector CN6 when SB12 is closed. In such a case, R196 must be removed to avoid disturbance due to the 32 KHz quartz.
SB13	PC15 is connected to the 32 KHz crystal when SB13 is open (default setting).
	PC15 is connected to the extension connector CN6 when SB13 is closed. In such a case, R197 must be removed to avoid disturbance due to the 32 KHz quartz.

**Table 7. 8 MHz crystal X2 related solder bridges**

Solder bridge	Description
SB14	PF0 is connected to the 8 MHz crystal when SB14 is open (default setting).
	PF0 is connected to the extension connector CN7 when SB14 is closed. In such a case, C51 and X2 must be removed to avoid disturbance due to the 8 MHz quartz.
SB15	PF1 is connected to the 8 MHz crystal when SB15 is open (default setting).
	PF1 is connected to the extension connector CN7 when SB15 is closed. In such a case, R205 must be removed.

## 2.4 Reset source

The reset signal of the STM32303C-EVAL evaluation board is low active and the reset sources include:

- Reset button (B1)
- Debugging tools from JTAG/SWD connector (CN10) and ETM trace connector (CN9)
- Daughter board from CN7
- Embedded ST-LINK/V2
- RS232 connector (CN8) for ISP

*Note:* The JP10 jumper must be closed for RESET handled by pin8 of RS232 connector, CN8 (CTS signal).

## 2.5 Boot option

The STM32303C-EVAL evaluation board can boot from:

- the embedded user Flash
- the system memory with boot loader for ISP
- the embedded SRAM for debugging

The boot option is configured by setting switch SW1 (BOOT0) and bit 12 of USER OPTION BYTES (BOOT1) in Small Information block (SIF). BOOT0 can also be configured via the RS232 connector, CN8.

**Table 8. Boot-related switch**

Switch configuration	bit 12 of USER OPTION BYTES	STM32303C-EVAL boot
0 <----> 1 SW1	X	From the user Flash when SW1 is set as shown to the left (default setting)
0 <----> 1 SW1	0	From the embedded SRAM when SW1 and bit12 in USER OPTION BYTES are set as shown to the left.
0 <----> 1 SW1	1	From the system memory when SW1 and bit12 in USER OPTION BYTES are set as shown to the left.

**Table 9. Boot0-related jumper**

Jumper	Description
JP9	Bootloader_BOOT0 is managed by pin 6 of connector CN8 (RS232 DSR signal) when JP9 is closed. This configuration is only used for the boot loader application. Default Setting: Not fitted

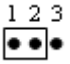
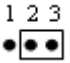
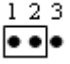
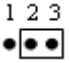
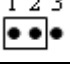
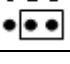
## 2.6 Audio

The STM32303C-EVAL evaluation board supports stereo audio play and microphone recording by an external headset connected on audio jack CN11. An audio DAC CS42L52 is connected to the I2S port of the STM32F303VCT6 microcontroller. The microphone on headset or microphone which is reserved on board (U26, default unmounted) are connected to ADC of CS42L52. The CS42L52 can be configured via I2C2 and be driven by either I2S\_MCK at PA9 or the external I2S clock mode supported by an external PLL (U12).

*Note:* Please keep VDD to 3.3 V (Power mode 1 in [Section 2.2](#)) when using external PLL CS2200.

The I2C communication depends on JP5 and JP6 jumper setting.

**Table 10. Audio-related jumpers**

Jumper	Description	Setting
JP5	PA10 is used as I2C standard mode and it is connected to I2C2_SDA signal on Audio DAC, Audio external PLL, temperature sensor and RF EEPROM connector when JP5 is set as shown to the right (default setting):	
	PA10 is used as I2C fast mode and it is connected to I2C2_SDA_F signal on EEPROM when JP5 is set as shown to the right:	
JP6	PF6 is used as I2C standard mode and it is connected to I2C2_SCL signal on Audio DAC, Audio external PLL, temperature sensor and RF EEPROM connector when JP6 is set as shown to the right (default setting):	
	PF6 is used as I2C fast mode and it is connected to I2C2_SCL_F signal on EEPROM when JP6 is set as shown to the right:	
JP18	PA9 is connected to I2S_MCK signal on CS42L52 when JP18 is set as shown to the right (default setting)	
	PA9 is connected to IR_IN signal on TSOP34836 when JP18 is set as shown to the right:	

The I2C address of CS42L52 is 0b1001010, and that of External PLL CS2200 is 0b1001110.

## 2.7 USB

The STM32303C-EVAL evaluation board supports USB2.0 compliant full speed communication via a USB type B connector (CN12). The evaluation board can be powered by this USB connection at 5 V DC with 500 mA current.

A USB disconnection simulation can be implemented by controlling the 1.5 K pull-up resistor on the USB+ line and by detecting the 5 V power on the USB connector (CN12) via a resistor connected to PB8.

USB will work properly when  $VDD > 3\text{ V}$ .

## 2.8 RS232, RS-485 and IrDA

The RS232, RS-485 and IrDA communication is supported by D-type 9-pin RS232/RS-485 connectors (CN8) and IrDA transceiver (U10) which is connected to USART1 of STM32F303VCT6 on the STM32303C-EVAL evaluation board. Bootloader\_RESET & Bootloader\_BOOT0 signals are added on the RS232 connector (CN8) for ISP support.

**Table 11. RS232, RS485 and IrDA related jumpers**

Jumper	Description	Setting
JP13	RS232_RX is connected to the RS232 transceiver and the RS232 communication is enabled when JP13 is set as shown to the right (default setting):	<div style="display: flex; flex-direction: column; align-items: center;"> <div style="display: flex; flex-direction: column; gap: 5px;"> <span>RS232_RX</span> <span>RS485_RX</span> <span>IRDA_RX</span> </div> </div>
	RS485_RX is connected to the RS485 transceiver and the RS485 communication is enabled when JP13 is set as shown to the right:	
	IrDA_RX is connected to the IrDA transceiver and the IrDA communication is enabled when JP13 is set as shown to the right:	

The RS485 communication is supported by the RS485 transceiver, ST3485EBDR, which is connected to pin4 and pin9 of D-type 9-pin connectors CN8 (share the same connector with USART1).



**Table 12. RS485 related solder bridges**

Jumper	Description
SB17, SB18	The external failsafe biasing is enabled when solder bridges SB17 and SB18 are closed. Default setting: Not fitted
SB16	The bus termination is enabled when solder bridge SB16 is closed. Default setting: Not fitted.

## 2.9 Touch-sensing buttons

The STM32303C-EVAL evaluation board supports two touch-sensing buttons based on the charge transfer technology.

**Table 13. Touch-sensing button related solder bridges**

Solder bridge	Description
SB6	PD13 is connected to the touch button when SB6 is open. (Default setting)
	PD13 is connected to the extension connector CN7 when SB6 is closed. In such a case, R104 must be removed to avoid disturbance due to the touch button.
SB7	PD15 is connected to the touch button when SB7 is open. (Default setting)
	PD15 is connected to the extension connector CN7 when SB7 is closed. In such a case, R102 must be removed to avoid disturbance due to the touch button.
SB8	PD12 is connected to the sampling capacitor when SB8 is open. (Default setting)
	PD12 is connected to the extension connector CN7 when SB8 is closed. In such a case, C52 must be removed to avoid disturbance due to the capacitor.
SB9	PB12 is connected to the shield when SB9 is open. (Default setting)
	PB12 is connected to the extension connector CN6 when SB9 is closed. In such a case, R103 must be removed to avoid disturbance due to the shield.
SB11	PB11 is connected to the shield charge capacitor when SB11 is open. (Default setting)
	PB11 is connected to the extension connector CN6 when SB11 is closed. In such a case, R137 must be removed to avoid disturbance due to the capacitor.

## 2.10 MicroSD card

The 2 GB (or more) MicroSD card connected to the SPI2 port (Shared with color LCD and Serial EEPROM) of STM32F303VCT6 is available on the board. The MicroSD card detection is managed by the standard I/O port, PC6.

## 2.11 Serial EEPROM

A 1 Mbit (M95M01-R) serial EEPROM connected to the SPI2 port (shared with color LCD and MicroSD card) of STM32F303VCT6, serial Flash Chip select is managed by I/O pin PD7.

## 2.12 RF EEPROM

The RF EEPROM daughter board, ANT7-M24LR-A, is mounted on CN1 to STM32F303VCT6 via the I2C2 bus.

The I2C address of RF EEPROM is 0b1010000.

The I2C communication depends on JP5 and JP6 jumper setting, as shown in [Table 10](#).

## 2.13 EEPROM

To fit the fast mode requirements, a 1 Mbit EEPROM, M24M01-HR, is directly connected to the I2C2 bus of STM32F303VCT6 by setting JP5 and JP6 jumpers, as shown in [Table 10](#).

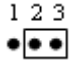
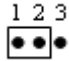
**Table 14. EEPROM Related Jumpers**

Jumper	Description
JP8	The EEPROM is in Write protection mode when JP8 is closed. Default setting: Not fitted
JP5,JP6	Refer to <a href="#">Table 10</a>

## 2.14 CAN

The STM32303C-EVAL evaluation board supports one channel of a CAN2.0A/B compliant bus communication based on the 3.3V CAN transceiver. The high-speed mode, standby mode and slope control mode are available and can be selected by setting JP4.

**Table 15. CAN related jumpers**

Jumper	Description	Setting
JP4	The CAN transceiver is working in standby mode when JP4 is set as shown to the right:	
	The CAN transceiver is working in high-speed mode when JP4 is set as shown to the right: (default setting)	
	The CAN transceiver is working in slope control mode when JP4 is open.	
JP3	The CAN terminal resistor is enabled when JP3 is fitted. Default setting: Not fitted	

CAN will work properly when  $VDD > 3\text{ V}$ .

## 2.15 IR LED and IR receiver

The IR receiver, TSOP34836, is connected to PA9 of STM32F303VCT6 and the IR LED is driven by PB9 through transistors T4 and T5 on the board. The IR receiver depends on JP18 jumper setting, as shown in [Table 10](#).

*Note:* The IR LED may be driven by PB9 directly when SB19 is closed and R281 is removed.

## 2.16 High brightness LED

An amber high brightness LED and its power control circuits are on the STM32303C-EVAL board. The brightness can be adjusted by the PWM signal from STM32F303VCT6 through PE13. The current on the LED can be monitored by the STM32F303 thanks to the voltage measured on PD14, which corresponds to current through R261 (10 ohm).

## 2.17 Humidity sensor

A humidity sensor, HS1101LF, is on the STM32303C-EVAL board. The charge control signal is connected to the timer in STM32F303VCT6 through PC8, and the measured result of HS1101LF is connected with PB0.

*Note:* Please keep  $VDDA = V_{DDIO}$  during the measurement.

A 180 pF 1% capacitor, C121, is used to calibrate the humidity sensor by setting JP19.

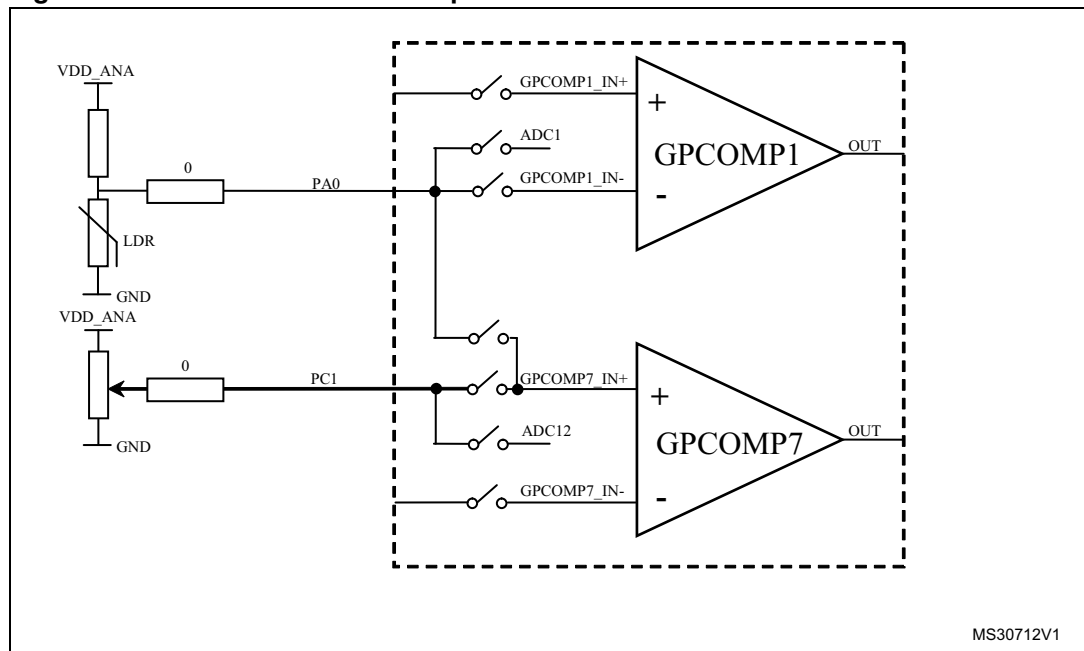
**Table 16. Humidity sensor related jumper**

Jumper	Description	Setting						
JP19	A 180 pF 1% capacitor is connected for calibration when JP19 is set, as shown to the right:	<table border="1"> <tr><td>1</td><td>2</td><td>3</td></tr> <tr><td>•</td><td>•</td><td>•</td></tr> </table>	1	2	3	•	•	•
	1	2	3					
•	•	•						
A humidity sensor is connected to measure the humidity when JP19 is set, as shown to the right: (default setting)	<table border="1"> <tr><td>1</td><td>2</td><td>3</td></tr> <tr><td>•</td><td>•</td><td>•</td></tr> </table>	1	2	3	•	•	•	
1	2	3						
•	•	•						

## 2.18 Comparator

VDD\_ANA is divided by the resistor bridge of LDR VT9ON1 & 8.2K resistor and connected to PA0 (COM7\_IN+/COM1\_IN-/ADC IN1). VDD\_ANA is also divided by the RV2 potentiometer and connected to PC1 (COM7\_IN+/ADC12).

**Figure 4. STM32303C-EVAL comparator features**



## 2.19 Temperature sensor

A temperature sensor, STTS751, is connected to the I2C2 bus of STM32F303VCT6 by setting JP5 and JP6 jumpers, as shown in [Table 10](#).

**Table 17. Temperature sensor related jumpers**

Jumper	Description
JP1	An SMB signal connects to the temperature sensor event signal when JP1 is closed. Default setting: Not fitted

The I2C address of the temperature sensor is 0b1001000.

STTS751 will work properly when  $VDD > 2.25V$ .

*Note:* The temperature result measured from PT100 would be a little higher than the ambient temperature due to the power dissipation of components on the board.

## 2.20 Display and input devices

The 240x320 TFT color LCD connected to the SPI2 port of STM32F303VCT6 (shared with the MicroSDcard and Serial EEPROM) and four general-purpose color LEDs (LD1, LD2, LD3, LD4) are available as display devices. The 4-direction joystick (U27) with the selection and key button (B2) are available as input devices.

The LCD can be enabled by the chip select signal PE0; this signal should be set as an open-drain output pin in STM32F303VCT6. All joystick signals should be set as a pull-down input pin in STM32F303VCT6.

**Table 18. LCD modules**

TFT LCD CN15		
Pin on CN15	Description	Pin connection
1	CS	PE0
2	SCL	PF9
3	SDI	PB15
4	RS	-
5	WR	-
6	RD	-
7	SDO	PB14
8	RESET	RESET#
9	VDD	3.3V
10	VCI	3.3V
11	GND	GND
12	GND	GND
13	BL_VDD	5V
14	BL_Control	5V
15	BL_GND	GND
16	BL_GND	GND

*Note:* The bi-directional voltage translator is implemented on the SPI MOSI signal between STM32F303VCT6 and the LCD to support the 3-wire serial interface of the AM240320LGTNqw-01H LCD panel. The direction of this voltage translator is controlled by the PE14 I/O (the PB15 I/O is used as a MOSI when PE14 is high, or as a MISO when PE14 is low).

## 2.21 Motor control

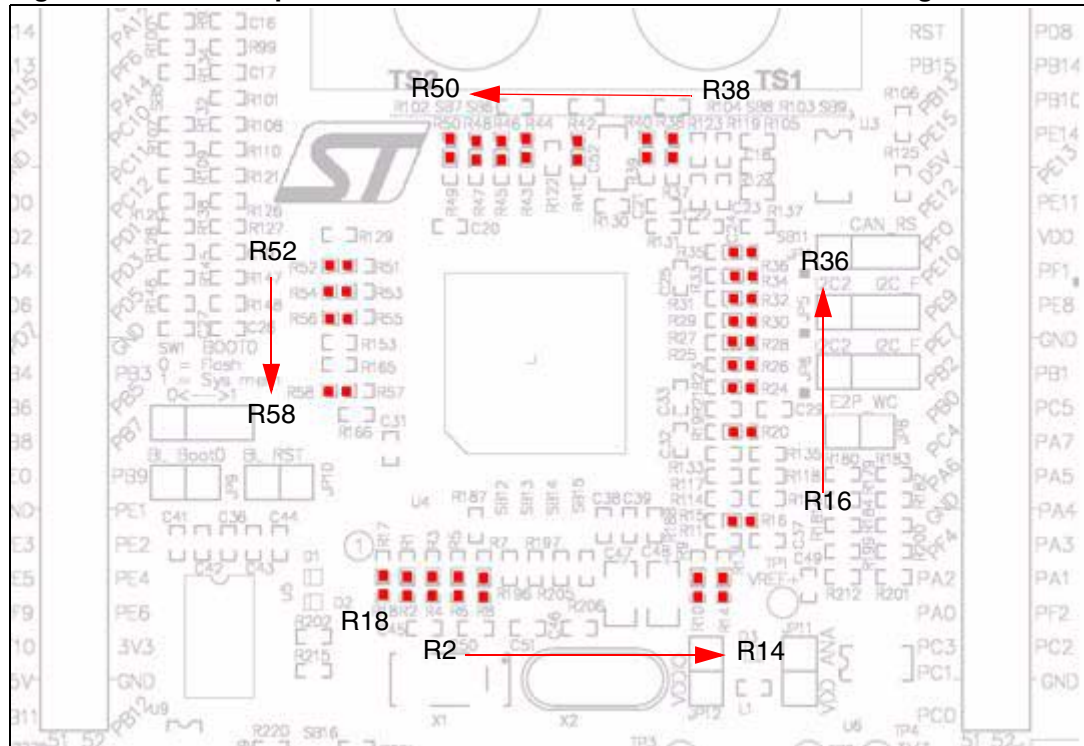
The STM32303C-EVAL evaluation board supports 2 inductor motor controls via 34-pin connectors CN2 and CN4, which provide all required control and feedback signals to and from the motor power-driving board. Available signals on these connectors include emergency stop, motor speed, 3-phase motor current, bus voltage, Heatsink temperature coming from the motor driving board and 6 channels of PWM control signal going to the motor driving circuit.

Some PCB reworks are needed for motor control applications to disconnect peripherals which share I/Os with motor control connectors and connect these I/Os to motor control connectors.

To configure the board for motor control application, please follow the procedure below:

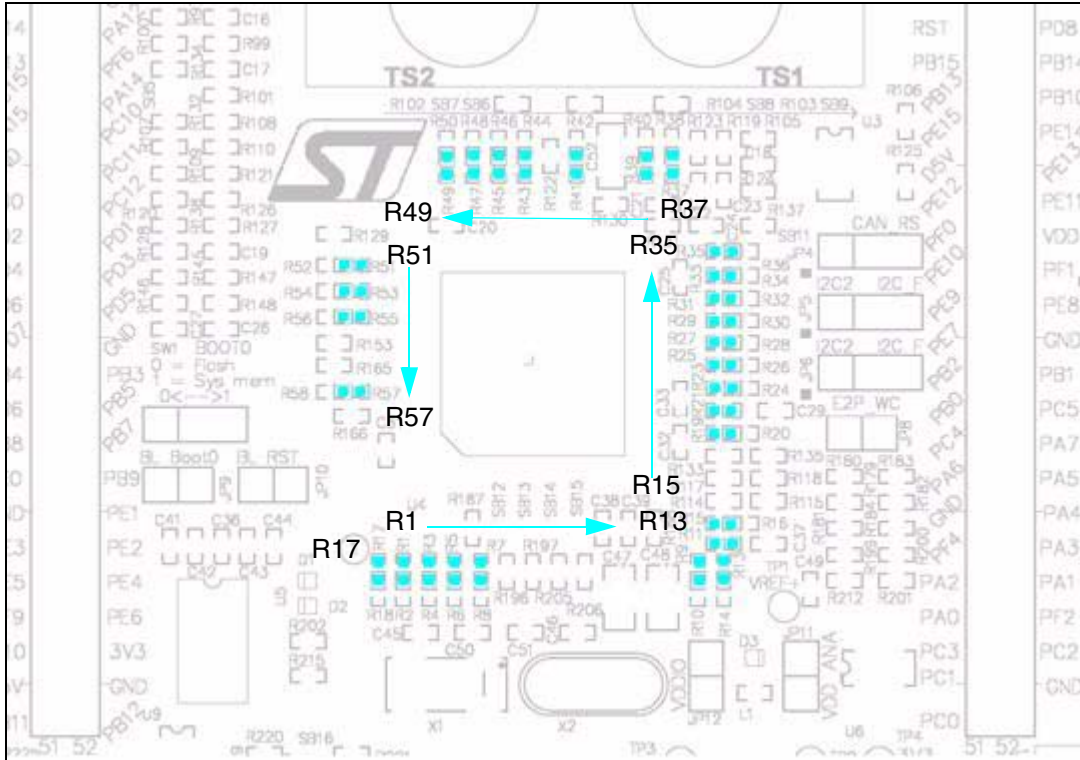
1. Remove even number resistors from R1 to R58 (R2, R4, R6....R56, R58 except R12, R22). The resistor positions on the PCB board are shown in [Figure 5](#):

**Figure 5. Resistor positions on the PCB board: even number removing**



- Mount odd number resistors from R1 to R58 (R1, R3...R55, R57 except R11 which is mounted by default) with a 0-ohm resistor. The resistor positions on the PCB board are shown in [Figure 6](#):

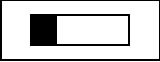
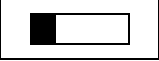
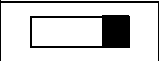
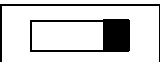
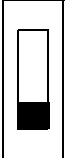
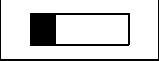
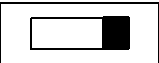
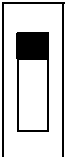
**Figure 6. Resistor positions on the PCB board: odd number mounting**



**Table 19. Motor control related jumpers**

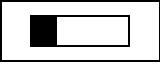
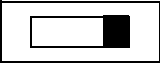
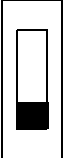
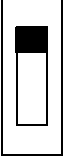
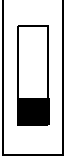
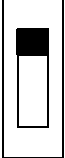
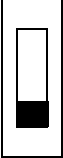
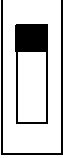
Jumper	Description
JP2	JP2 should be kept open when the encoder signal is from pin31 of the motor control connector CN2; it should be kept closed when the analog signal is from pin31 of CN2 for a special motor. Default setting: Not fitted
JP7	JP7 should be kept open when the encoder signal is from pin31 of the motor control connector CN4; it should be kept closed when the analog signal is from pin31 of CN4 for a special motor. Default setting: Not fitted

**Table 20. Motor control related switches and solder bridges in OAM position**

OAM position	Other conditions	Description
OAM1 	R113, R116 mounted SB2 open	MC1_CurrentA+ connect to OPAMP1_IN+(PA1) MC1_CurrentB+ connect to OPAMP2_IN1+(PA7)
	R113, R116 unmounted SB2 closed	MC1_CurrentB+ connect to OPAMP1_IN+(PA1)
	3SA position 	MC1_CurrentC+ connect to OPAMP2_IN2+(PD14)
	3SA position 	MC1_CurrentC+ connect to OPAMP4_IN1+(PB11)
OAM1 	-	MC1_CurrentA+ connect to ADC12(PC2) MC1_CurrentB+ connect to ADC12(PC3) MC1_CurrentC+ connect to ADC12(PC0)
OAM2 	R132, R134 mounted SB5 open	MC2_CurrentA+ connect to OPAMP3_IN+(PB0) MC2_CurrentB+ connect to OPAMP4_IN2 +(PB13)
	R132, R134 unmounted SB5 closed	MC2_CurrentB+ connect to OPAMP3_IN+(PB0)
	3SA position 	MC2_CurrentC+ connect to OPAMP4_IN1+(PB11)
	3SA position 	MC2_CurrentC+ connect to OPAMP2_IN2+(PD14)
OAM2 	-	MC2_CurrentA+ connect to ADC34(PD11) MC2_CurrentB+ connect to ADC34(PD12) MC2_CurrentC+ connect to ADC34(PD10)



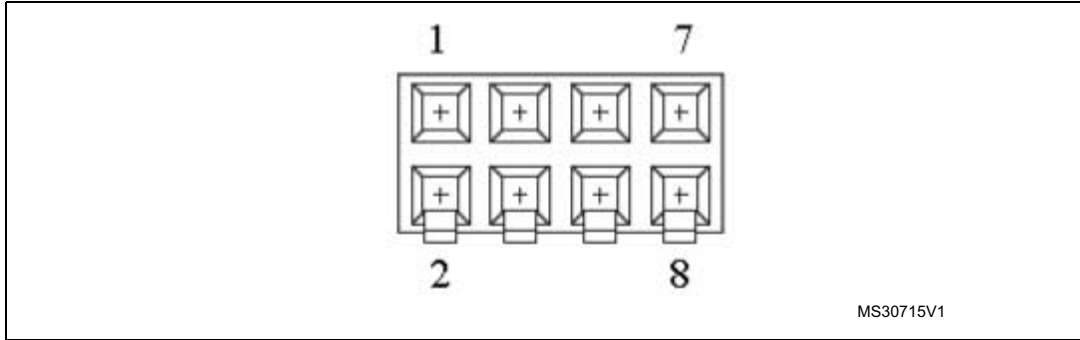
**Table 21. Motor control related switches and solder bridges in PGM position**

PGM position	Other conditions	Description
PGM1 	-	OPAMP1_IN+, OPAMP2_IN1+, OPAMP2_IN2+ pull-up source connect to +3.3V power
PGM1 	PG3SA position 	OPAMP1_IN+, OPAMP2_IN1+, OPAMP2_IN2+ pull-up source connect to DAC_OUT1(PA4)
	PG3SA position 	OPAMP1_IN+, OPAMP2_IN1+ pull-up source connect to DAC_OUT1(PA4) OPAMP2_IN2+ pull-up source connect to DAC_OUT2(PA5)
PGM2 	-	OPAMP4_IN+, OPAMP4_IN1+, OPAMP4_IN2+ pull-up source connect to +3.3V power
PGM2 	PG3SA position 	OPAMP3_IN+, OPAMP4_IN1+, OPAMP4_IN2+ pull-up source connect to DAC_OUT2(PA5)
	PG3SA position 	OPAMP3_IN+ , OPAMP4_IN2+ pull-up source connect to DAC_OUT2(PA5) OPAMP2_IN1+ pull-up source connect to DAC_OUT1(PA4)

### 3 Connector

#### 3.1 RF EEPROM daughter board connector (CN1)

Figure 7. RF EEPROM daughter board connector (CN1)



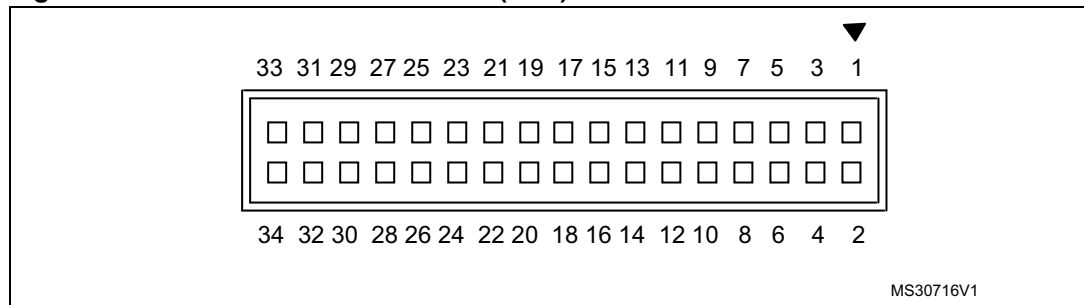
1. Front view

Table 22. RF EEPROM daughter board connector (CN1)

Pin number	Description	Pin number	Description
1	SDA(PA10)	5	VDD
2	NC	6	NC
3	SCL(PF6)	7	GND
4	RESET(PE14)	8	NC

### 3.2 Motor control connector (CN2)

Figure 8. Motor control 1 connector (CN2)



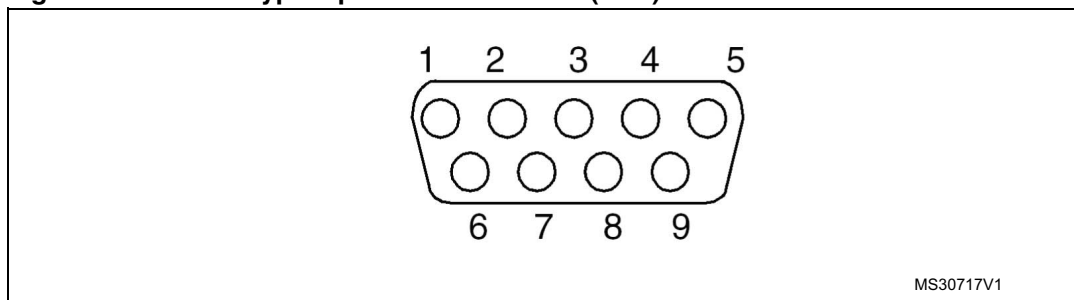
1. Top view

Table 23. Motor control 1 connector (CN2)

Description	Pin of STM32F303VCT6	Pin number of CN2	Pin number of CN2	Pin of STM32F303VCT6	Description
Emergency STOP	PE15	1	2		GND
PWM-1H	PE9	3	4		GND
PWM-1L	PE8	5	6		GND
PWM-2H	PE11	7	8		GND
PWM-2L	PE10	9	10		GND
PWM-3H	PE13	11	12		GND
PWM-3L	PE12	13	14	PA0	BUS VOLTAGE
CURRENT A+	<a href="#">Table 20</a> for details	15	16		GND
CURRENT B+	<a href="#">Table 20</a> for details	17	18		GND
CURRENT C+	<a href="#">Table 20</a> for details	19	20		GND
ICL shut out	PE4	21	22		GND
DISSIPATIVE BRAKE PWM	PE5	23	24	PD8	PFC Inductor current
+5V power		25	26	PF4	Heatsink temperature
PFC SYNC	PE2	27	28		3.3V power
PFC PWM	PE3	29	30	PD2	PFC Shut down
Encoder A	PD3	31	32	PD9	PFC Vac
Encoder B	PD4	33	34	PD7	Encoder Index

### 3.3 CAN D-type 9-pin male connector (CN3)

Figure 9. CAN D-type 9-pin male connector (CN3)



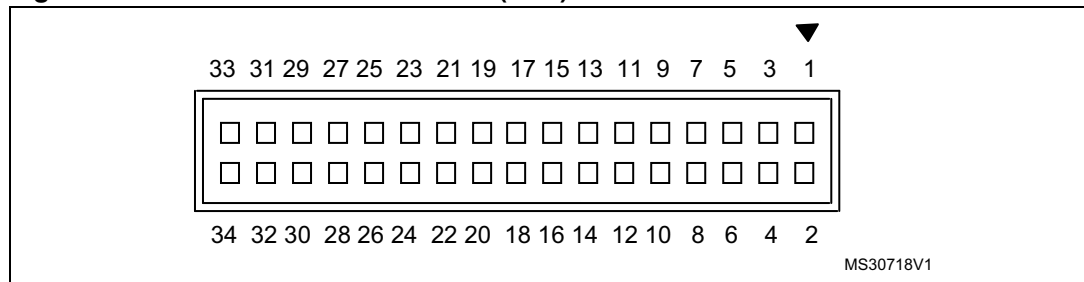
1. Front view

Table 24. CAN D-type 9-pin male connector (CN3)

Pin number	Description	Pin number	Description
1, 4, 8, 9	NC	7	CANH
2	CANL	3, 5, 6	GND

### 3.4 Motor control connector (CN4)

Figure 10. Motor control 2 connector (CN4)



1. Top view

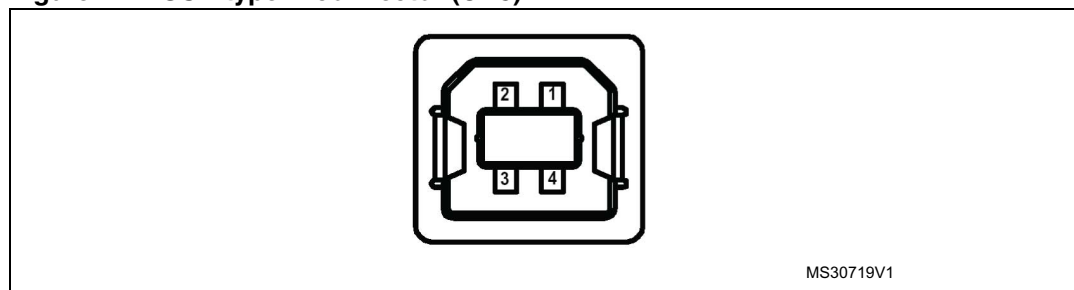
Table 25. Motor control 2 connector (CN4)

Description	Pin of STM32F303V CT6	Pin number of CN4	Pin number of CN4	Pin of STM32F303V CT6	Description
Emergency STOP	PB7	1	2		GND
PWM-1H	PC6	3	4		GND
PWM-1L	PC10	5	6		GND
PWM-2H	PC7	7	8		GND
PWM-2L	PC11	9	10		GND
PWM-3H	PC8	11	12		GND
PWM-3L	PC12	13	14	PC1	BUS VOLTAGE
CURRENT A+	<a href="#">Table 20</a> for details	15	16		GND
CURRENT B+	<a href="#">Table 20</a> for details	17	18		GND
CURRENT C+	<a href="#">Table 20</a> for details	19	20		GND
ICL shut out	PD15	21	22		GND
DISSIPATIVE BRAKE PWM	PF10	23	24	PD8	PFC Inductor current
+5V power		25	26	PF2	Heatsink temperature
PFC SYNC	PE2	27	28		3.3V power
PFC PWM	PE3	29	30	PD2	PFC Shut down
Encoder A	PB6	31	32	PD9	PFC Vac
Encoder B	PD13	33	34	PB8	Encoder Index

### 3.5 ST-LINK/V2 USB type-B connector (CN5)

The USB connector, CN5, is used to connect the embedded ST-LINK/V2 to the PC for a board debugging.

**Figure 11. USB type-B connector (CN5)**



1. Front view

**Table 26. USB type-B connector (CN5)**

Pin number	Description	Pin number	Description
1	VBUS (power)	4	GND
2	DM	5, 6	Shield
3	DP		

### 3.6 Daughter board extension connectors (CN6 and CN7)

Two 52-pin male headers, CN6 and CN7, can be used to connect with the daughter board or standard wrapping board to the STM32303C-EVAL evaluation board. All GPIOs are available on them. The space between these two connectors and the position of the power, GND and RESET pins are defined as a standard which allows developing common daughter boards for several evaluation boards. The standard width between CN6 pin1 and CN7 pin1 is 2700mils (68.58 mm). This standard has been implemented on the majority of the evaluation boards.

Each pin on CN6 and CN7 can be used by a daughter board after disconnecting it from the corresponding function block on the STM32303C-EVAL evaluation board. For more details, refer to [Table 27](#) and [Table 28](#).

**Table 27. Daughter board extension connector (CN6)**

Pin	Description	Alternative function	How to disconnect with function block on STM32303C-EVAL board
1	GND	-	-
3	PC7	MC2_PWM_2H	Disconnect CN4
5	PC9	I2S_CKIN	Remove R247
7	PA10	I2C2_SDA	Keep JP5 open
9	PA11	USB_DM	Remove R266
11	PC14	OSC32_IN	Remove R196, Close SB12

**Table 27. Daughter board extension connector (CN6) (continued)**

Pin	Description	Alternative function	How to disconnect with function block on STM32303C-EVAL board
13	PA13	TMS/ SWDAT	Disconnect CN9, CN10
15	PC15	OSC32_OUT	Remove R197, Close SB13
17	PA15	JTDI	Disconnect CN9, CN10
19	GND	-	-
21	PD0	CAN_RX	Remove R124
23	PD2	MC1_MC2_PFC_SD	Remove R153, R165
25	PD4	MC1_EnB	Remove C12, Disconnect CN2
27	PD6	JOY_RIGHT	Remove R12
29	PD7	MC1_EnIndex/ E2P_CS	Remove R57, R58
31	PB4	TRST	Disconnect CN9, CN10
33	PB6	MC2_EnA	Remove C35, Keep JP7 open, Disconnect CN4
35	PB8	MC2_EnIndex/ USB_disconnect	Remove R17, R18
37	PE0	LCD_CS	Remove R250
39	GND	-	-
41	PE3	MC1_MC2_PFCpwm/ TRACE_D0	Remove R3, R4
43	PE5	MC1_DissipativeBrake / TRACE_D2	Remove R7, R8
45	PF9	SPI2_SCK	Remove R303
47	PF10	MC2_DissipativeBrake	Disconnect CN4
49	D5V	-	-
51	PB11	OPAMP4_IN1+/ SHIELD_CT	Remove R35, R137, Close SB11
2	PC6	MC2_PWM_1H/ SDcard_detect	Remove R47, R48
4	PC8	MC2_PWM_3H/ Hum_Out	Remove R49, R50
6	PA8	I2C2_SMB/ MCO	Remove R237, Keep JP1 open
8	PA9	I2S_MCK/ IR_IN	Keep JP18 open
10	GND	-	-
12	PA12	USB_DP	Remove R260
14	PF6	I2C2_SCL	Keep JP6 open
16	PA14	TCK /SWCLK	Disconnect CN9, CN10
18	PC10	MC2_PWM_1L/ RS485_DIR/ I2S_SCK	Remove R51, R52, R129

**Table 27. Daughter board extension connector (CN6) (continued)**

Pin	Description	Alternative function	How to disconnect with function block on STM32303C-EVAL board
20	PC11	MC2_PWM_2L/I2S_DOU T	Remove R53, R54
22	PC12	MC2_PWM_3L/ I2S_DIN	Remove R55, R56
24	PD1	CAN_TX	Remove R105
26	PD3	MC1_EnA	Remove C10, Keep JP2 open, Disconnect CN2
28	PD5	JOY_DOWN	Remove R22
30	GND	-	-
32	PB3	TDO/SWO	Disconnect CN9, CN10
34	PB5	JOY_LEFT	Remove R307
36	PB7	MC2_STOP	Remove R79
38	PB9	IR_LED	Remove R262
40	PE1	USART1_RX	Keep JP13 open
42	PE2	MC1_MC2_PFCsync / TRACE_CK	Remove R1, R2
44	PE4	MC1_ICL_SHUTOUT / TRACE_D1	Remove R5, R6
46	PE6	TRACE_D3 / Key_Button	Remove R111, Disconnect CN9
48	+3V3	-	-
50	GND	-	-
52	PB12	OPAMP4_OUT / SHIELD	Remove R37, R103, Close SB9

**Table 28. Daughter board extension connector (CN7)**

Pin	Description	Alternative function	How to disconnect with function block on STM32303C-EVAL board
1	GND	-	
3	PD14	OPAMP2_IN2+ / LED_FB	Remove R45, R46
5	PD11	MC2_Ain+_ADC34	Remove R92
7	PD9	MC1_MC2_PFC_Vac	Remove R80, R146, C7, C26
9	PC13	JOY_SEL	Remove R308
11	RESET#	-	-
13	PB15	SPI2_MOSI	Remove R310
15	PB13	OPAMP4_IN2+	Remove R110
17	PE15	MC1_STOP/MicroSD_CS	Remove R33, R34
19	D5V	-	-
21	PE12	MC1_PWM_3L	Disconnect CN2



**Table 28. Daughter board extension connector (CN7) (continued)**

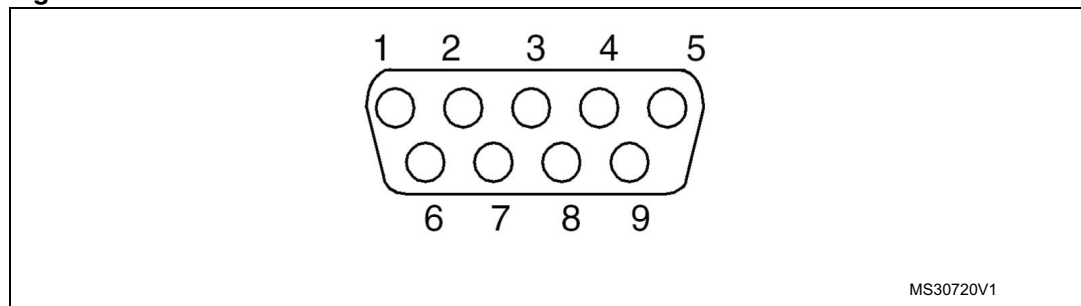
Pin	Description	Alternative function	How to disconnect with function block on STM32303C-EVAL board
23	PF0	OSC_IN	Remove X2, C51, Close SB14
25	PE10	MC1_PWM_2L/ LED3	Remove R27, R28
27	PE9	MC1_PWM_1H/ LED2	Remove R25, R26
29	PE7	JOY_UP	Remove R309
31	PB2	OPAMP3_IN- / 1V8_POR	Remove R21, R245
33	PB0	OPAMP3_IN+/ Hum_In	Remove R19, R20
35	PC4	USART1_TX	Remove R177
37	PA6	OPAMP2_OUT	Remove C33, R117, R118
39	GND	-	-
41	PF4	MC1_HeatsinkTemp	Remove R82, C8
43	PA2	OPAMP1_OUT	Remove C37, R115
45	PA0	MC1_BusVoltage/ LDR_OUT	Remove R9, R10
47	PC3	MC1_Bin+_ADC12	Remove R77
49	PC1	MC2_BusVoltage/ COM_IN+	Remove R13, R14
51	PC0	MC1_Cin+_ADC12	Remove R85
2	PD15	MC2_ICL_SHUTDOWN/TS2	Remove R43, R102, Close SB7
4	PD13	MC2_EnB/TS1	Remove R41, R104, Close SB6
6	PD12	MC2_Bin+_ADC34/TS_CT	Remove R39, C52, Close SB8
8	PD10	MC2_Cin+_ADC34	Remove R100
10	GND	-	-
12	PD8	MC1_MC2_PFC_Ind	Remove R119, R123, C22, C23
14	PB14	SPI2_MISO	Remove R299
16	PB10	OPAMP4_IN-	Remove C21, R130, R131
18	PE14	ACP_RESET/SPI2_DIR	Remove R136, R140
20	PE13	MC1_PWM_3H / LED_DRV	Remove R31, R32
22	PE11	MC1_PWM_2H / LED4	Remove R29, R30
24	VDD	-	-
26	PF1	OSC_OUT	Remove R205, Close SB15
28	PE8	MC1_PWM_1L / LED1	Remove R23, R24
30	GND	-	-
32	PB1	OPAMP3_OUT	Remove C29, R135
34	PC5	OPAMP2_IN-	Remove C33, R117, R118
36	PA7	OPAMP2_IN1+	Remove R75
38	PA5	MC_DAC_OUT2	Set PGM2, PG3SA in default position

**Table 28. Daughter board extension connector (CN7) (continued)**

Pin	Description	Alternative function	How to disconnect with function block on STM32303C-EVAL board
40	PA4	MC_DAC_OUT1 / I2S_WS	Remove R15, R16
42	PA3	OPAMP1_IN-	Remove C37, R114, R115
44	PA1	OPAMP1_IN+	Remove R74
46	PF2	MC2_HeatsinkTemp	Remove R11
48	PC2	MC1_Ain+_ADC12	Remove R84
50	GND	-	-
52	NC	-	-

### 3.7 RS232 and RS485 connector (CN8)

**Figure 12. RS232 and RS485 connector**



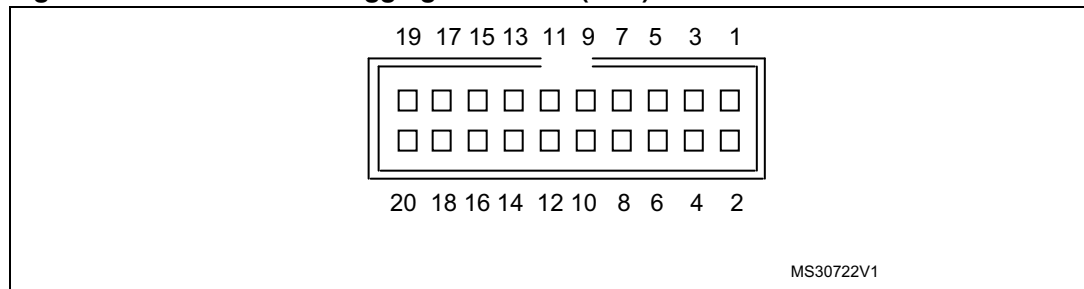
1. Front view

**Table 29. RS232 and RS485 connector (CN8) with ISP support**

Pin number	Description	Pin number	Description
1	NC	6	Bootloader_BOOT0
2	RS232_RX (PE1)	7	NC
3	RS232_TX (PC4)	8	Bootloader_RESET
4	RS485_A	9	RS485_B
5	GND		

### 3.8 ETM Trace debugging connector (CN9)

Figure 13. ETM Trace debugging connector (CN9)



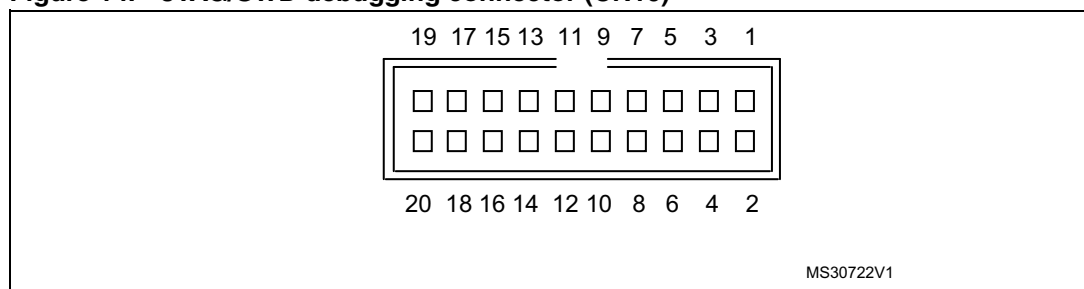
1. Top view

Table 30. ETM trace debugging connector (CN9)

Pin number	Description	Pin number	Description
1	VDD power	2	TMS/PA13
3	GND	4	TCK/PA14
5	GND	6	TDO/PB3
7	KEY	8	TDI/PA15
9	GND	10	RESET#
11	GND	12	TraceCLK/PE2
13	GND	14	TraceD0/PE3 or SWO/PB3
15	GND	16	TraceD1/PE4 or nTRST/PB4
17	GND	18	TraceD2/PE5
19	GND	20	TraceD3/PE6

### 3.9 JTAG/SWD connector (CN10)

Figure 14. JTAG/SWD debugging connector (CN10)



1. Top view

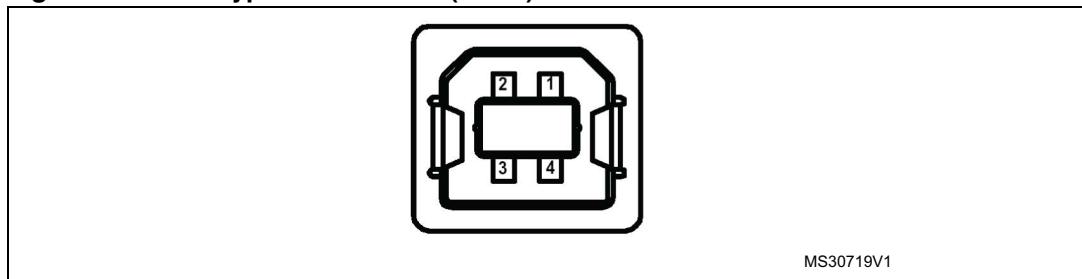
**Table 31. JTAG/SWD debugging connector CN10**

Pin number	Description	Pin number	Description
1	VDD power	2	VDD power
3	PB4	4	GND
5	PA15	6	GND
7	PA13	8	GND
9	PA14	10	GND
11	RTCK	12	GND
13	PB3	14	GND
15	RESET#	16	GND
17	DBGREQ	18	GND
19	DBGACK	20	GND

### 3.10 Audio jack (CN11)

A 3.5 mm stereo audio jack, CN11, is available on the STM32303C-EVAL board to support the headset (headphone and microphone integrated).

### 3.11 User USB type-B connector (CN12)

**Figure 15. USB type-B connector (CN12)**

1. Front view

**Table 32. USB type-B connector (CN12)**

Pin number	Description	Pin number	Description
1	VBUS(power)	4	GND
2	DM(PA11)	5,6	Shield
3	DP(PA12)		

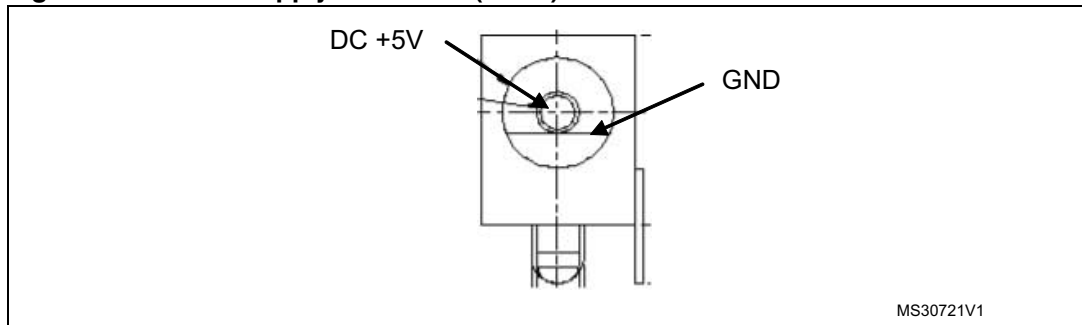
### 3.12 ST-LINK/V2 programming connector (CN13)

The CN13 connector is only used for embedded ST-LINK/V2 programming during the board manufacturing. It is not populated by default and not for an end user.

### 3.13 Power connector (CN14)

The STM32303C-EVAL evaluation board can be powered from a 5 V DC power supply via the external power supply jack (CN14) shown in [Figure 16](#). The central pin of CN14 must be positive.

**Figure 16. Power supply connector (CN14)**



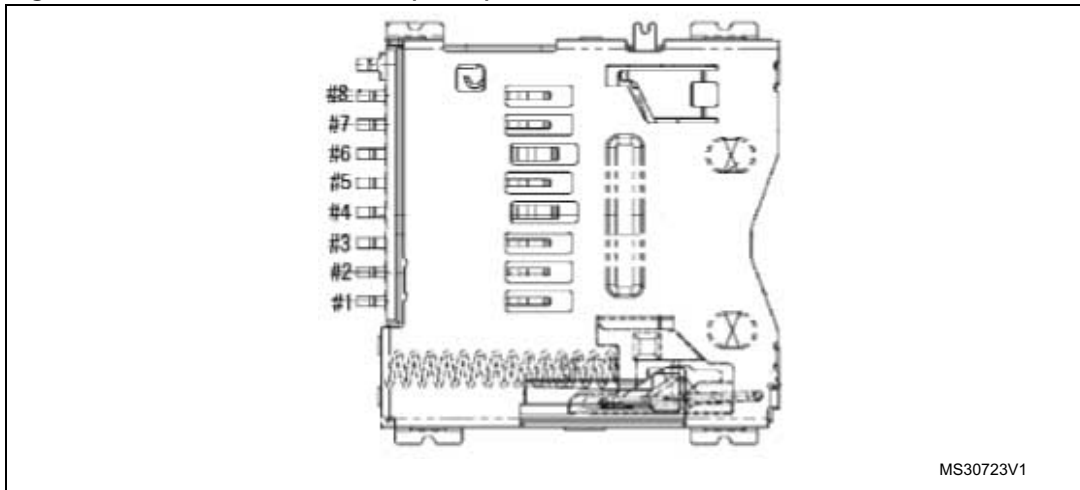
1. Front view

### 3.14 TFT LCD connector (CN15)

A TFT color LCD board is mounted on the CN15 connector. For more details, refer to [Section 2.20](#).

### 3.15 MicroSD connector (CN16)

Figure 17. MicroSD connector (CN16)



1. Top view

Table 33. MicroSD connector (CN16)

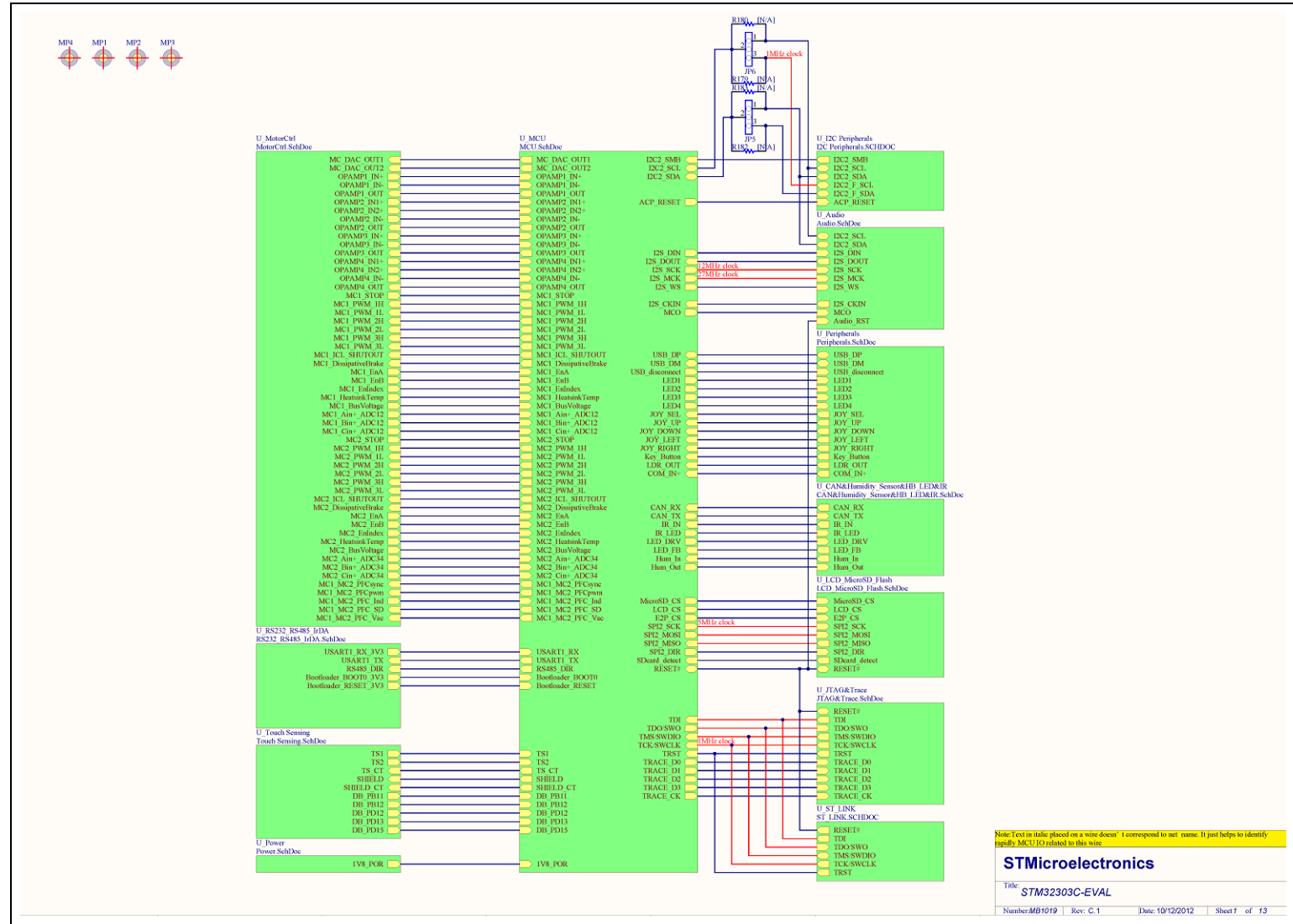
Pin number	Description	Pin number	Description
1	NC	6	Vss/GND
2	MicroSDcard_CS (PE15)	7	MicroSDcard_DOUT (PB14)
3	MicroSDcard_DIN (PB15)	8	NC
4	+3V3	9	GND
5	MicroSDcard_CLK (PF9)	10	MicroSDcard_detect (PC6)



4

# Schematics

Figure 18. STM32330C-EVAL board (MB1019)



STMicroelectronics

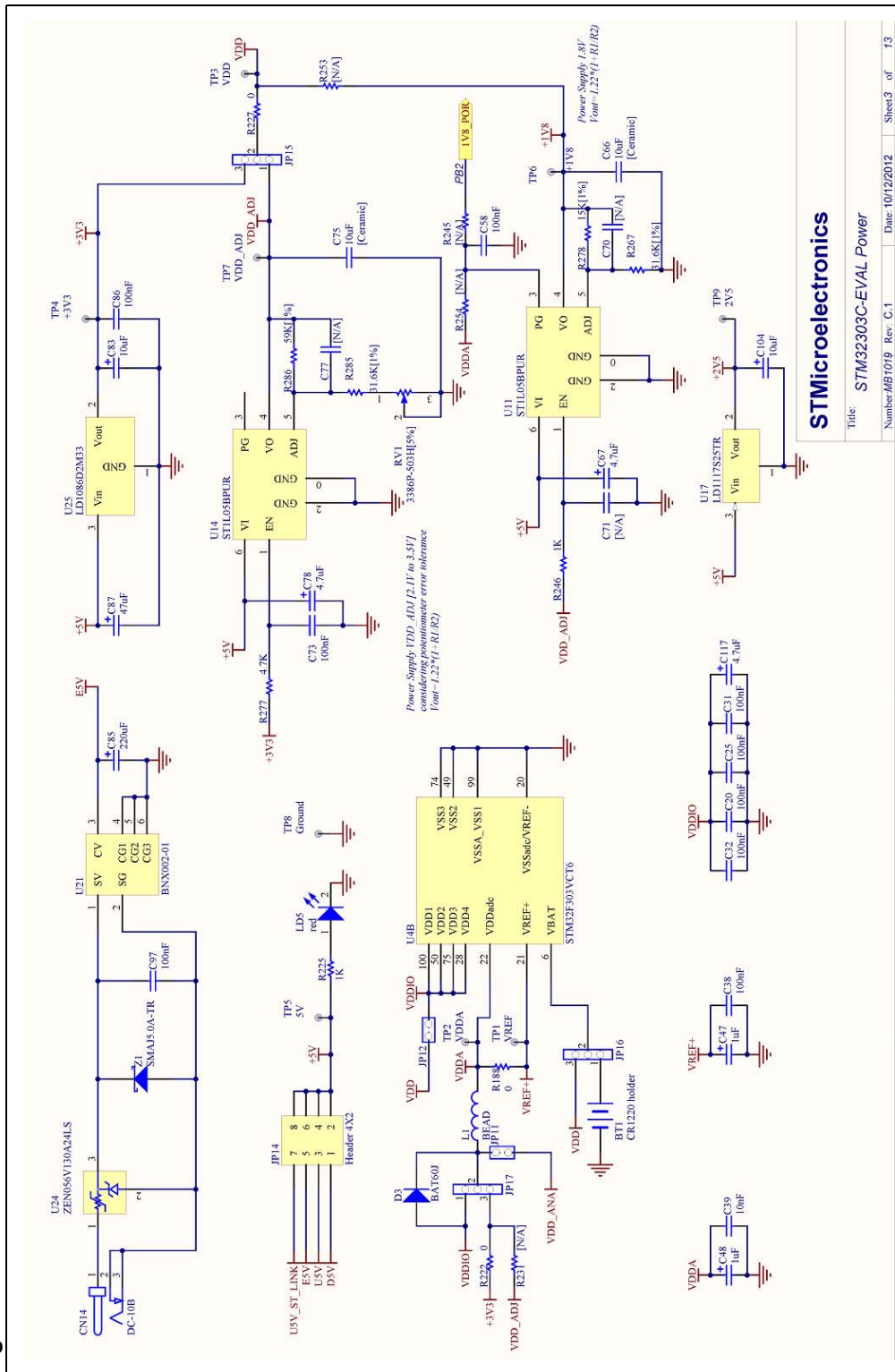
Title: **STM32330C-EVAL**

Number: **MB1019** | Rev: C.1 | Date: 10/12/2012 | Sheet 7 of 13





Figure 20. STM32330C-EVAL Power



STMicroelectronics

Title: STM32330C-EVAL Power

Number: MB1019 Rev. C:1 Date: 10/12/2012 Sheet 3 of 13

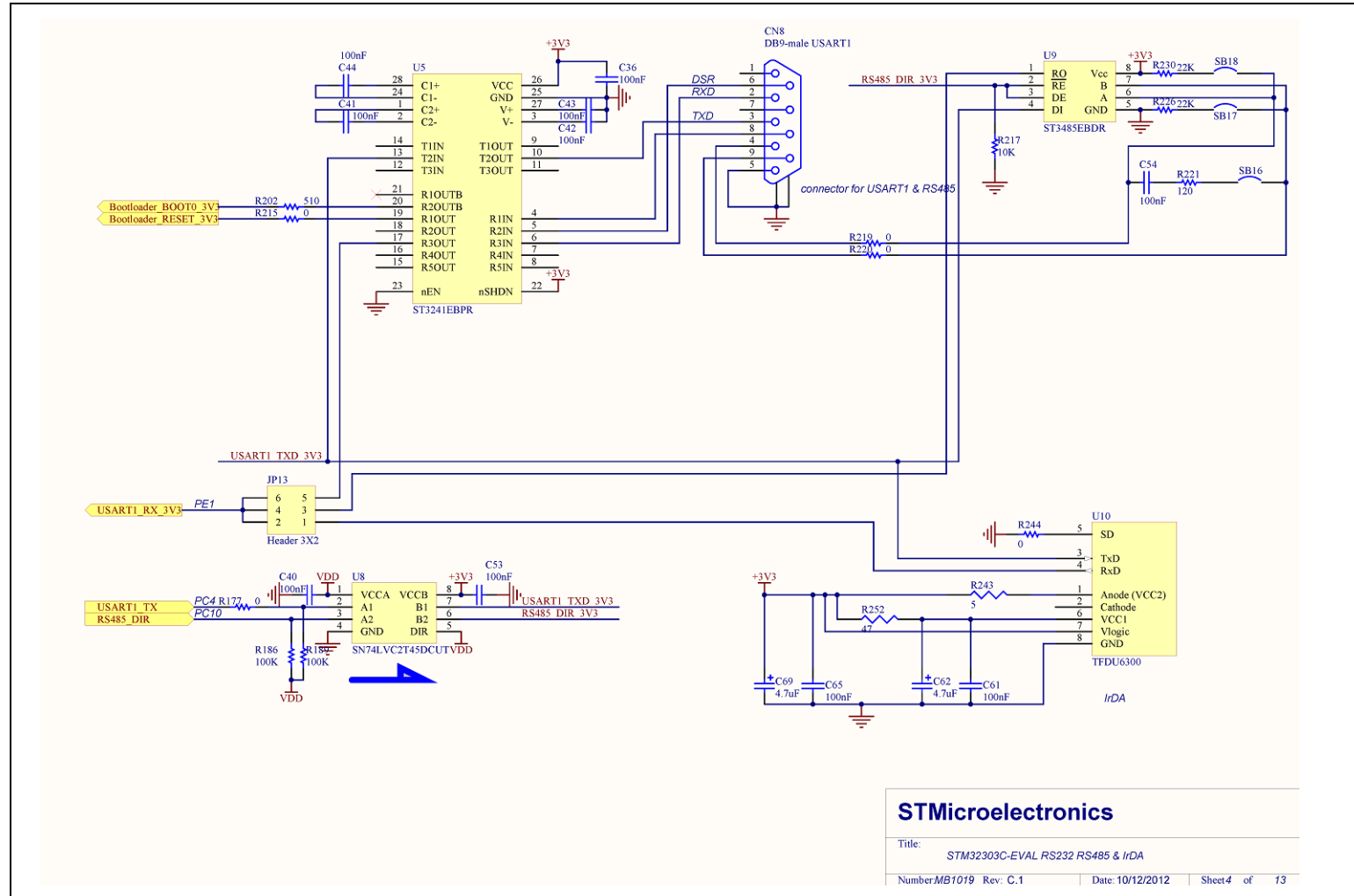
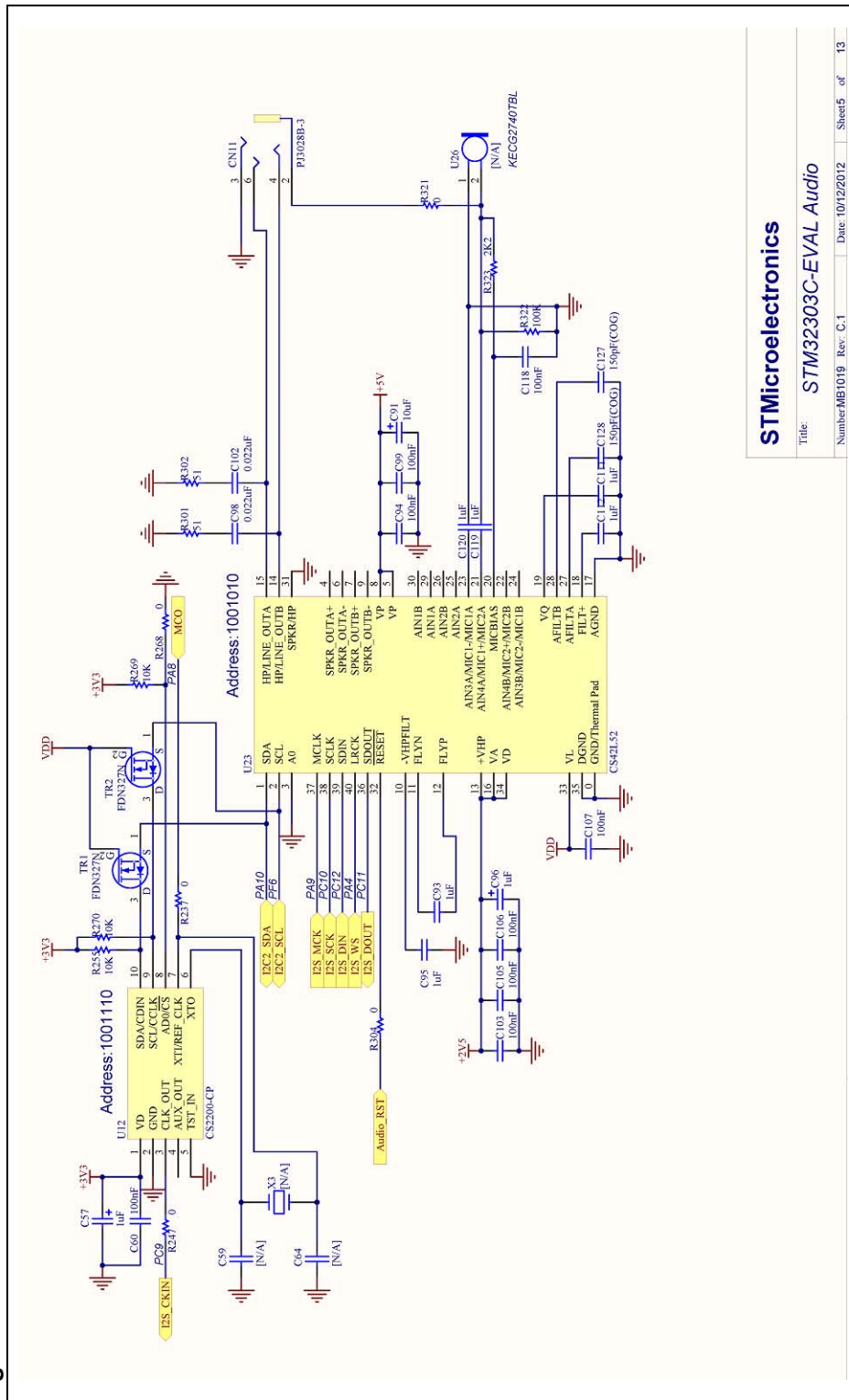
**Figure 21. STM32330C-EVAL RS232, RS485 and IrDA**


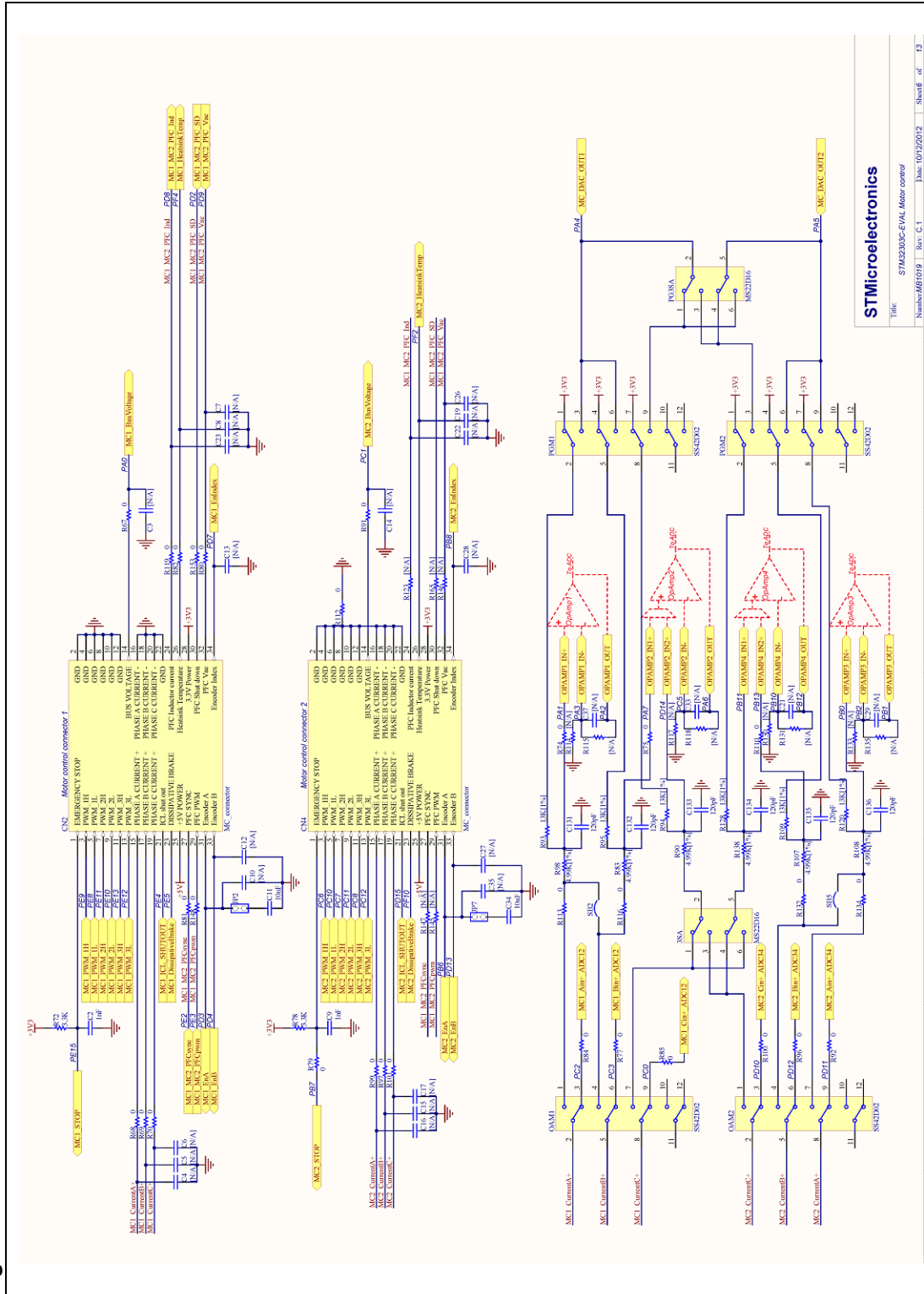
Figure 22. STM32330C-EVAL Audio



STMicroelectronics

Title: STM32330C-EVAL Audio  
 Number: MB1019 Rev. C.1 Date: 10/12/2012 Sheet 5 of 13

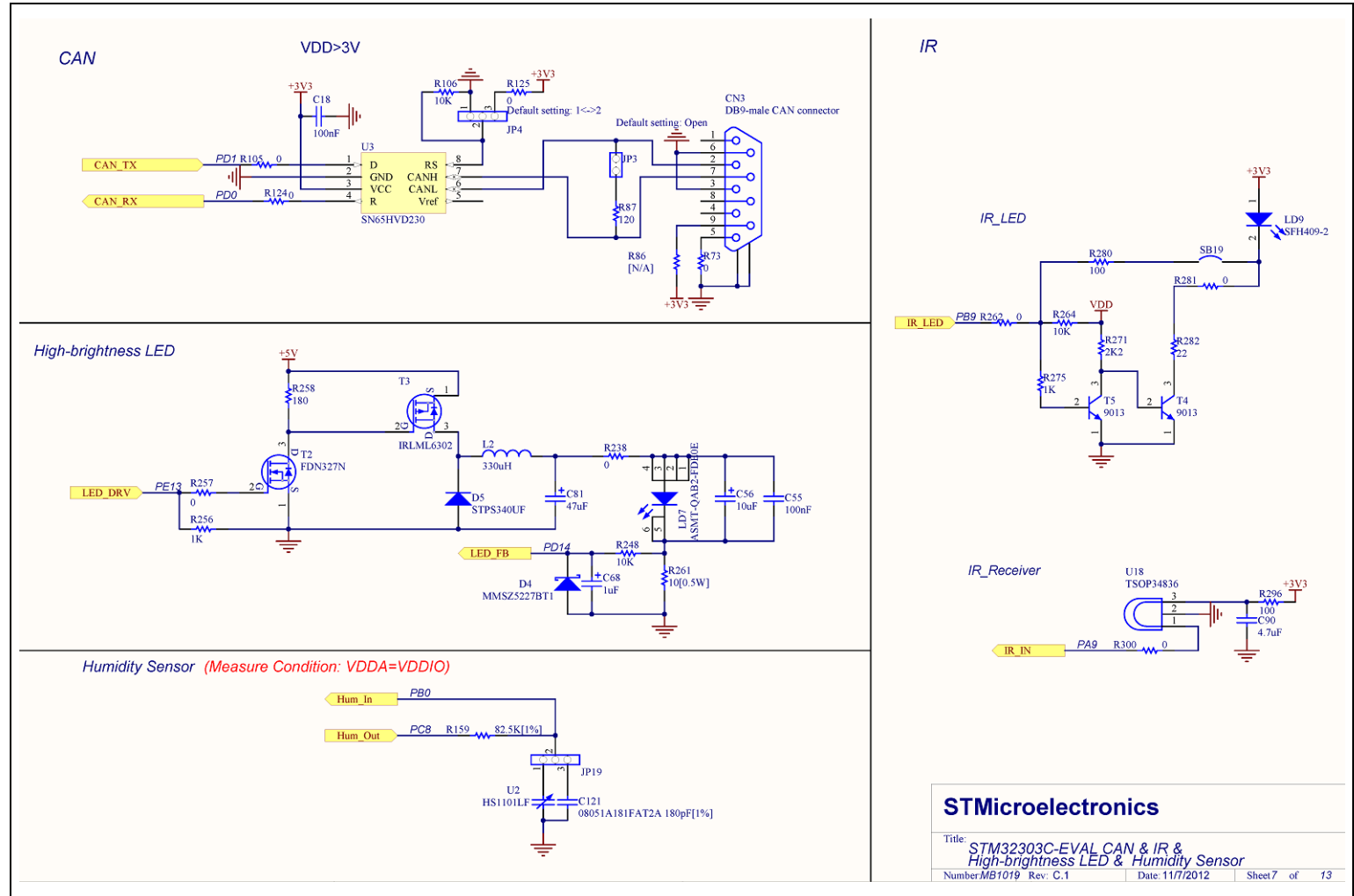
Figure 23. STM32330C-EVAL Motor control



STMicroelectronics  
Title: STM32330C-EVAL Motor control  
Number: UM1567 | Rev. C.1 | Date: 10/25/2012 | Sheet 6 of 19



Figure 24. STM32330C-EVAL CAN, IR, High-brightness LED and Humidity sensor

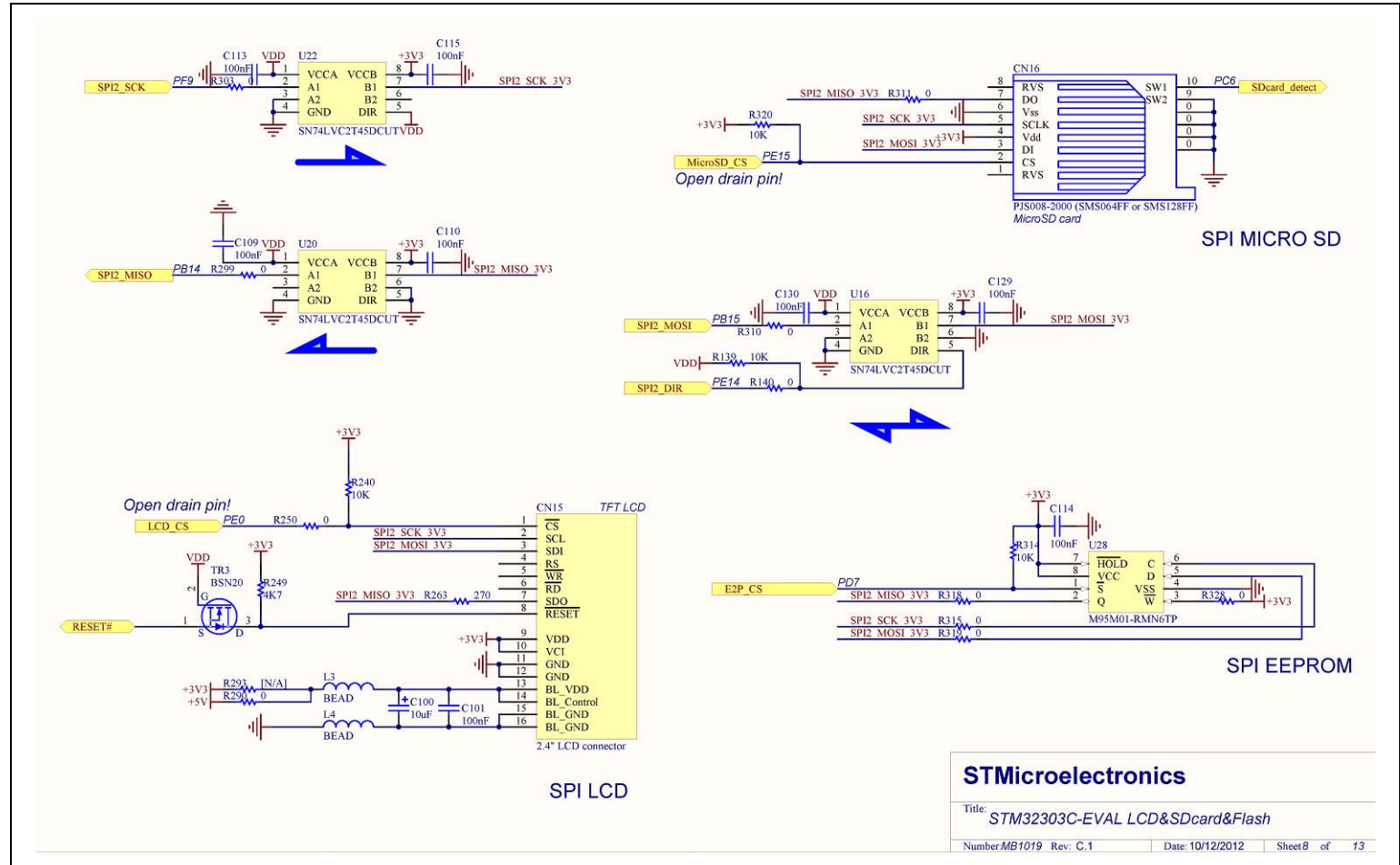


**STMicroelectronics**

Title: STM32330C-EVAL CAN & IR & High-brightness LED & Humidity Sensor

Number: MB1019 Rev: C.1 Date: 11/7/2012 Sheet 7 of 13

**Figure 25. STM32330C-EVAL LCD, SDCard and Flash**



**STMicroelectronics**

Title: *STM32330C-EVAL LCD&SDcard&Flash*

Number: *MB1019* Rev: *C.1* Date: *10/12/2012* Sheet *8* of *13*



Figure 26. STM32330C-EVAL I2C peripherals

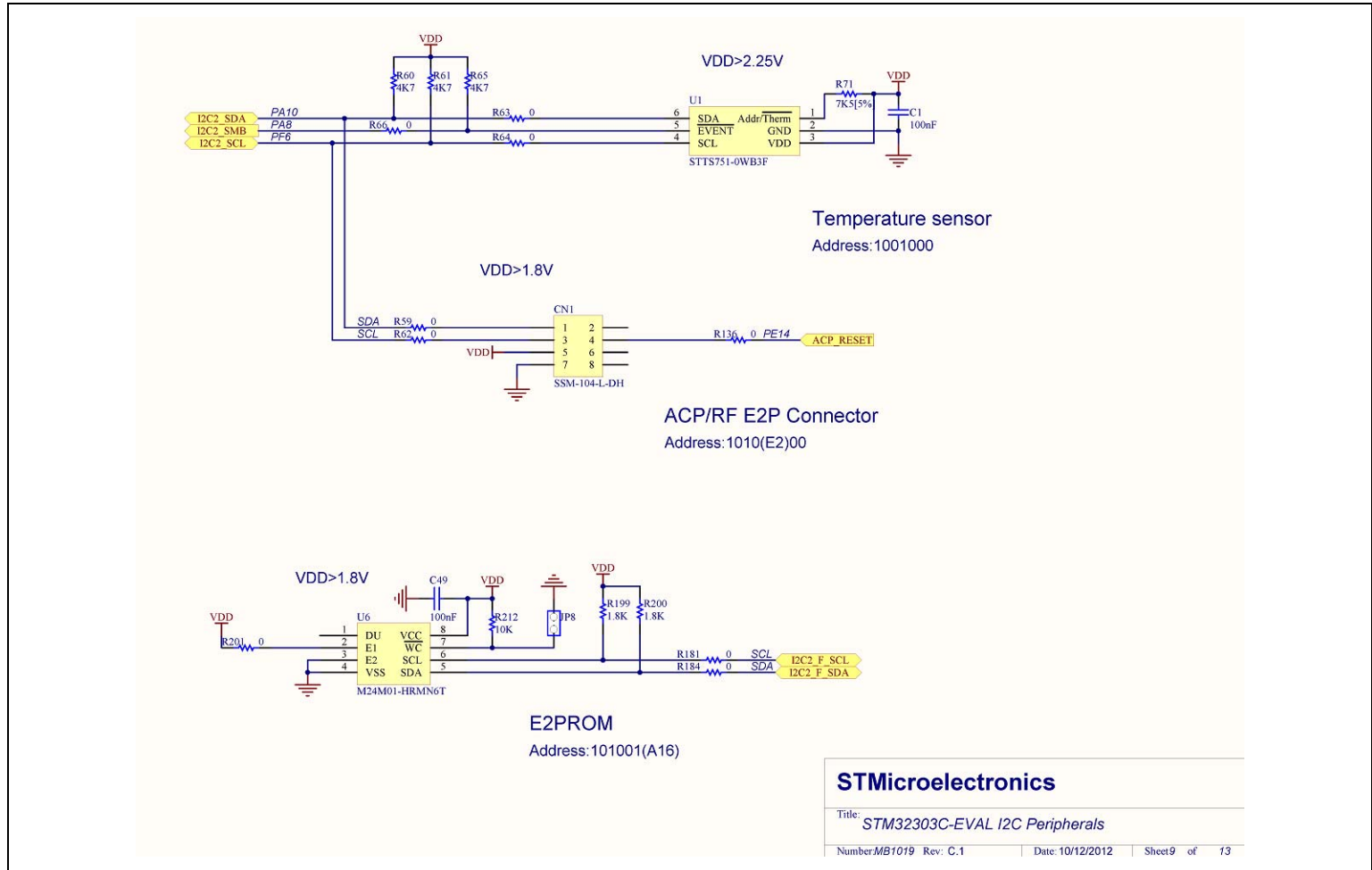
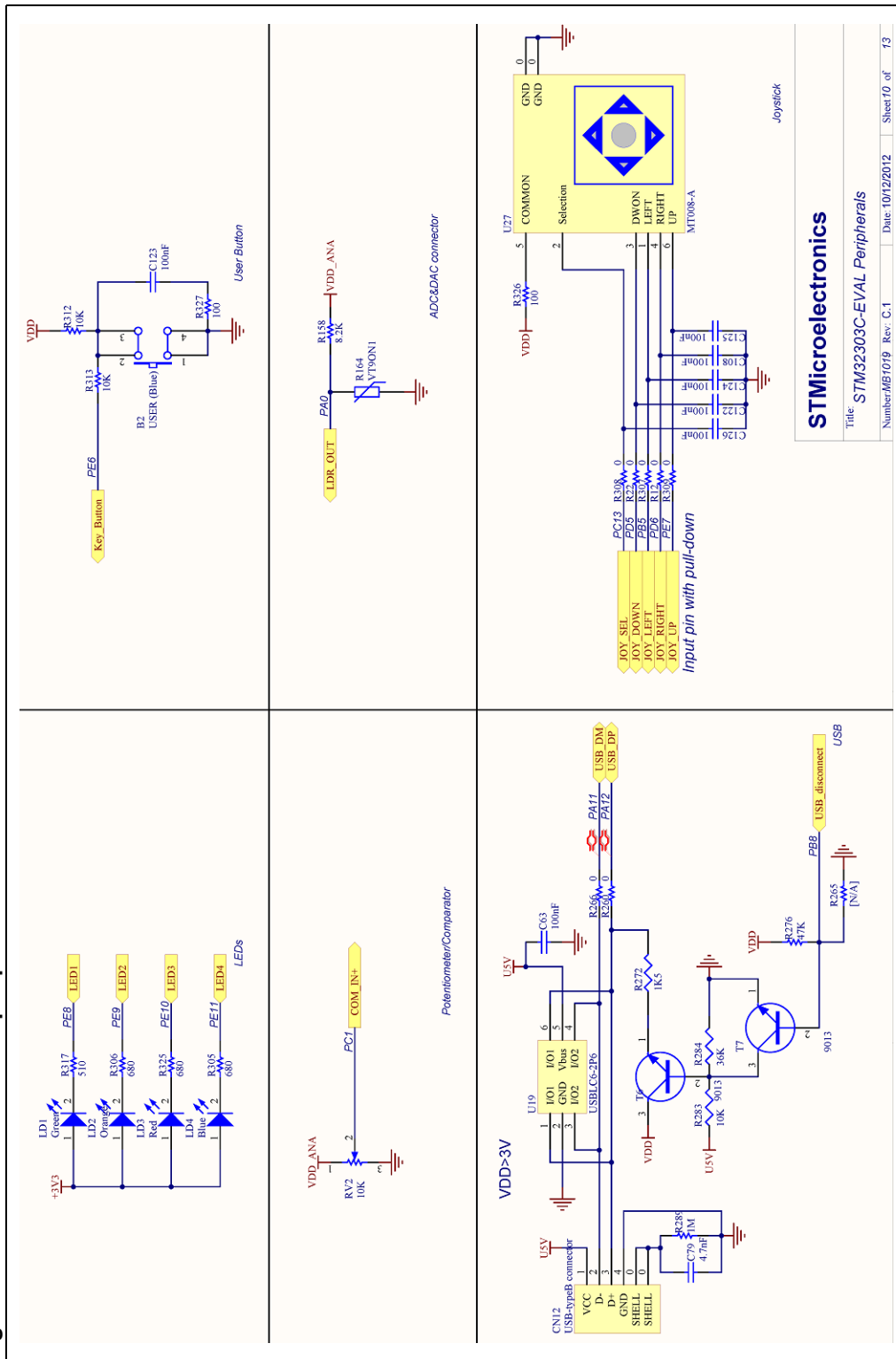


Figure 27. STM32330C-EVAL peripherals



**STMicroelectronics**

Title: **STM32330C-EVAL Peripherals**  
 Number: MB1019 Rev.: C.1 Date: 10/12/2012 Sheet 10 of 13





Figure 28. STM32330C-EVAL ST-LINK (JTAG only)

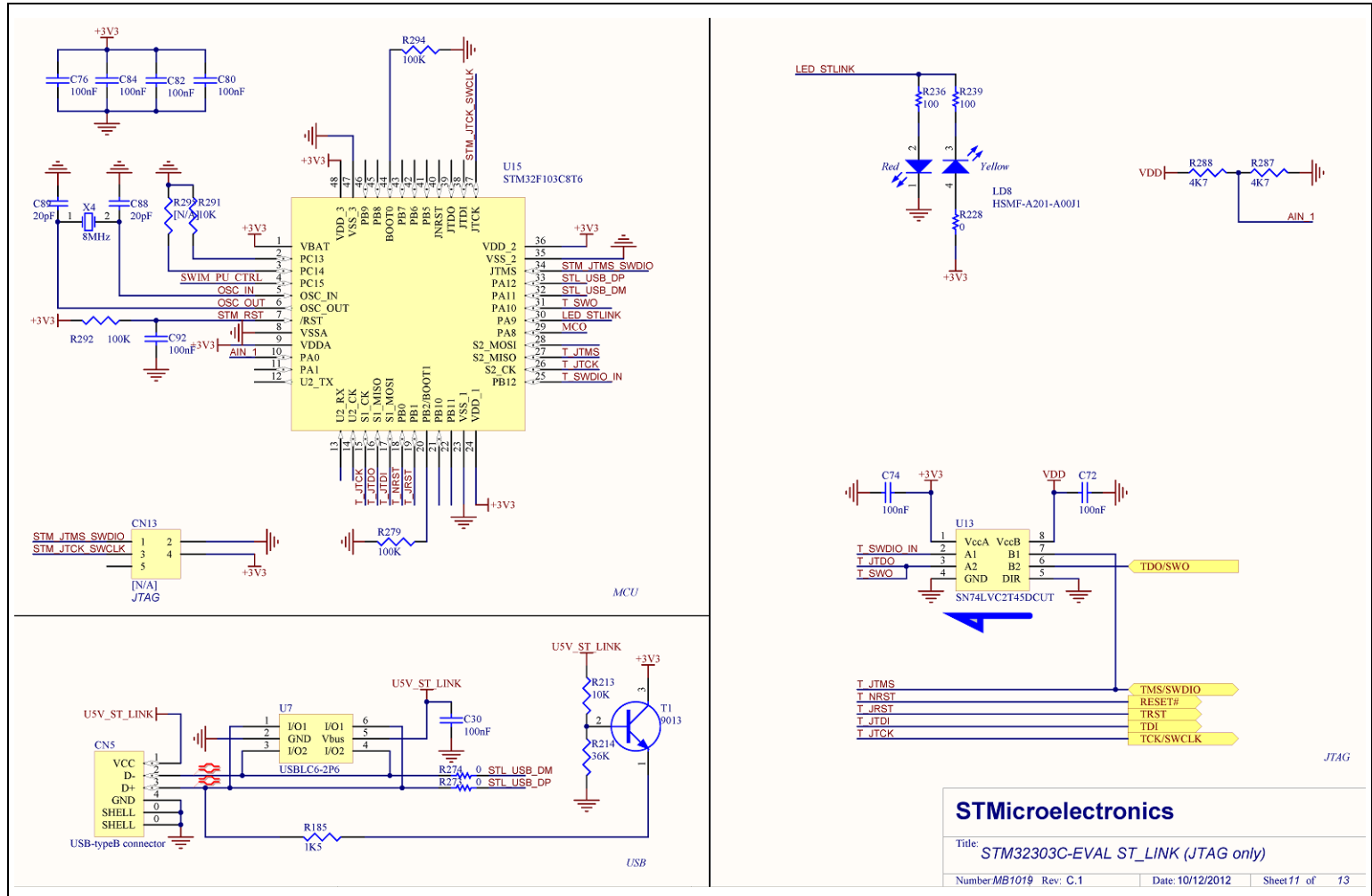
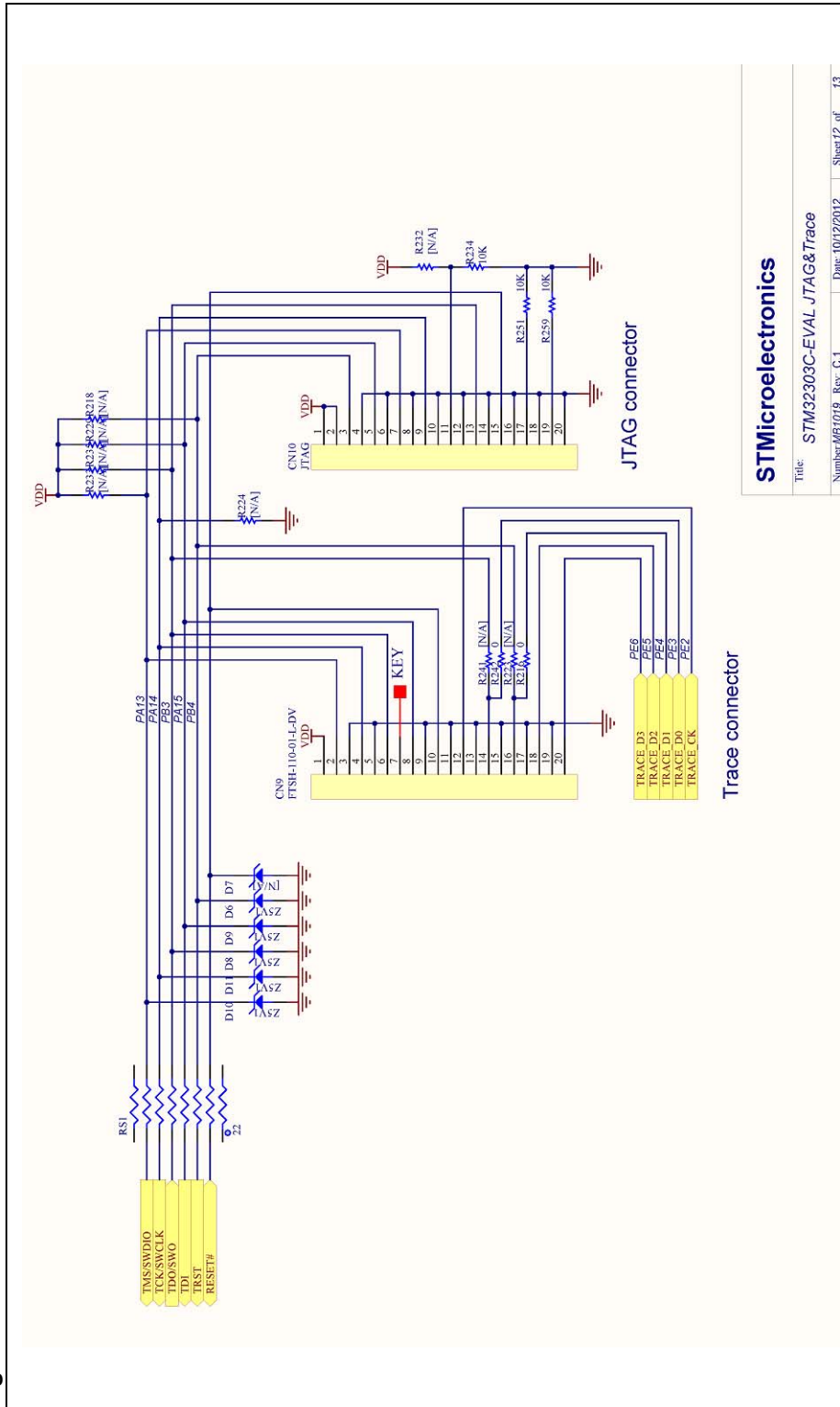


Figure 29. STM32330C-EVAL JTAG and Trace

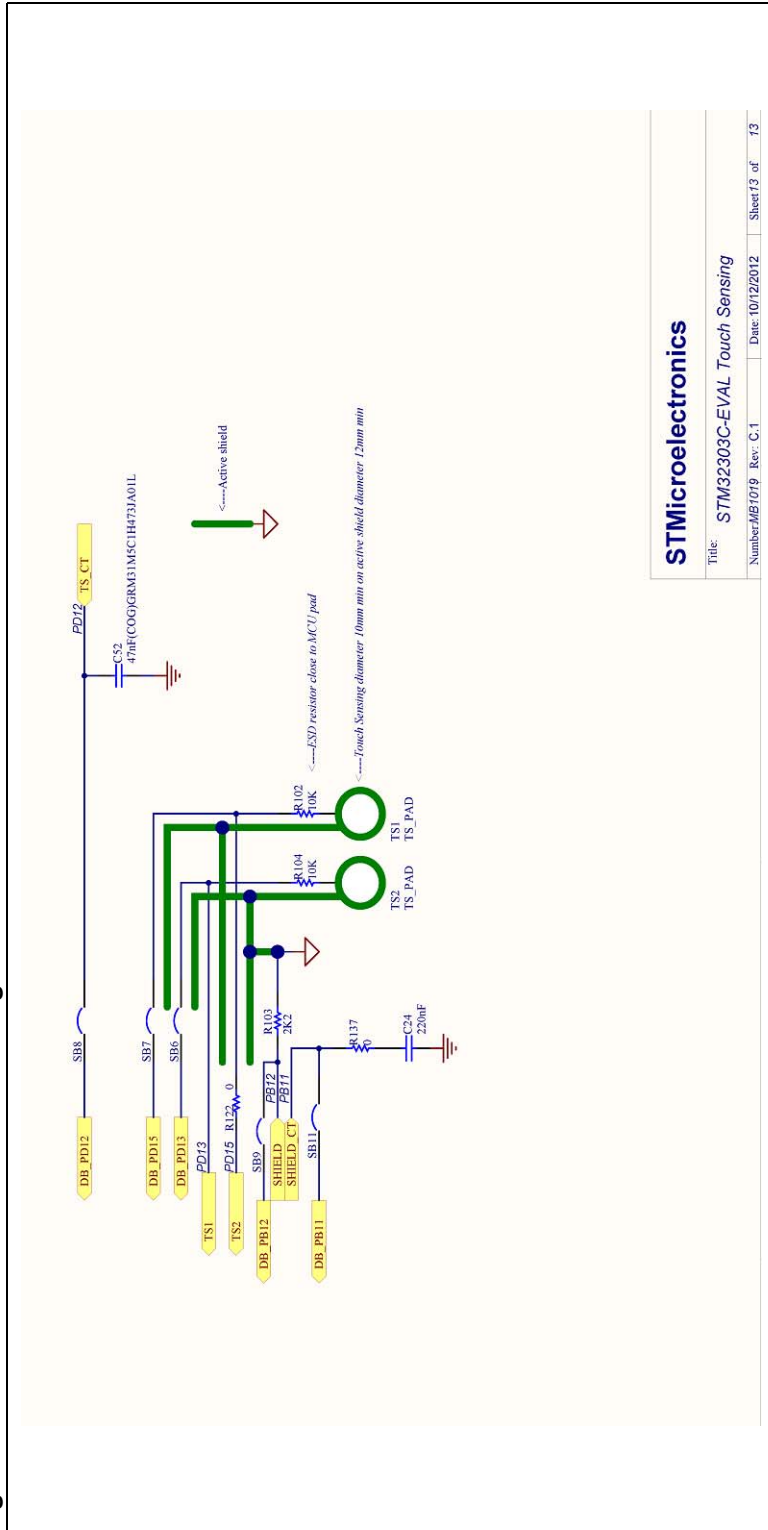


STMicroelectronics

Title: STM32330C-EVAL JTAG & Trace

Number:UM1567/19 Rev: C.1 Date: 10/12/2012 Sheet 2 of 13

Figure 30. TM32330C-EVAL touch sensing



**STMicroelectronics**

Title: STM32330C-EVAL Touch Sensing

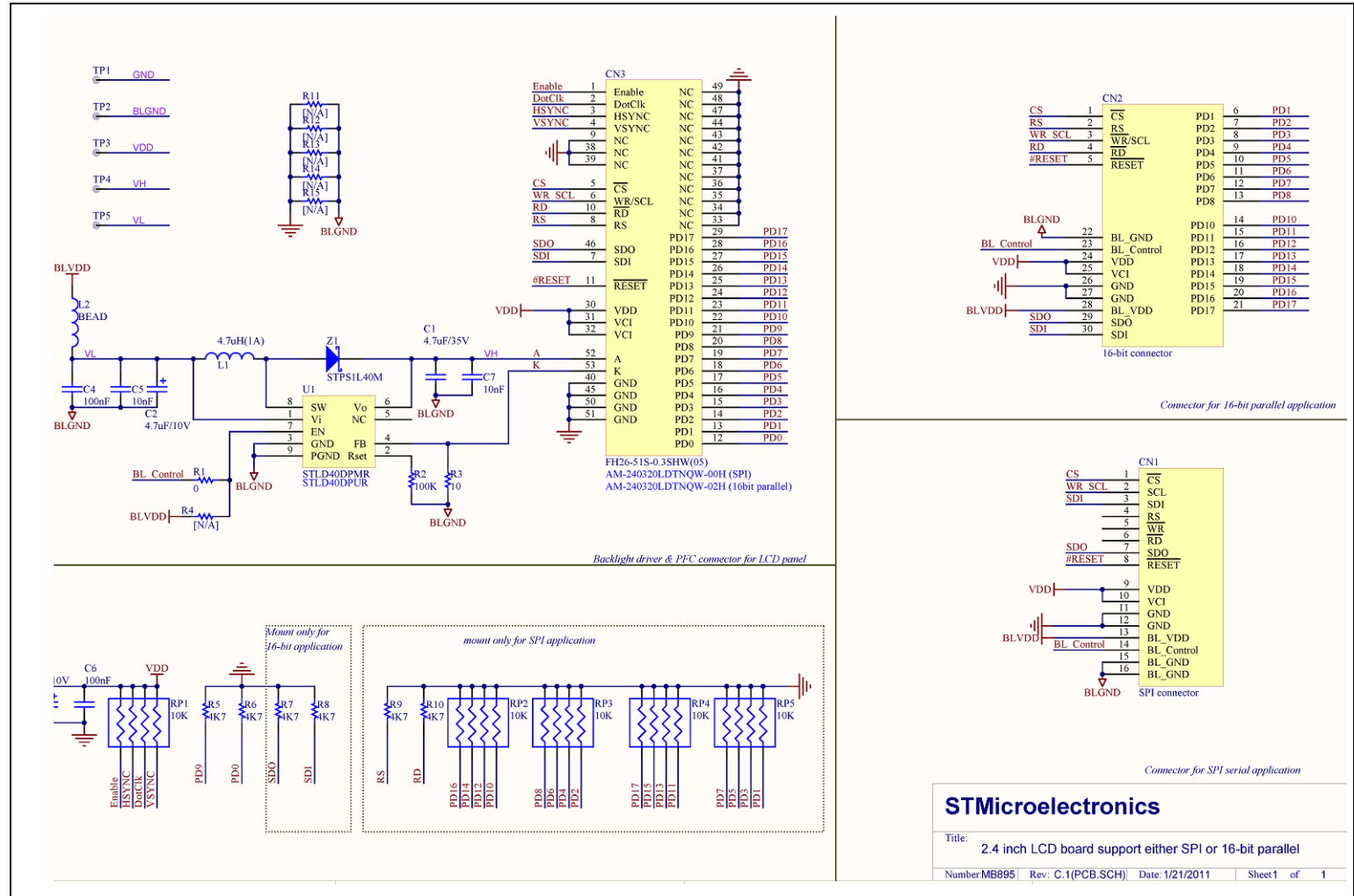
Number: 4B1079 Rev: C-1

Date: 10/12/2012

Sheet 13 of 73



**Figure 31. Color LCD daughter board (MB895)**



## Appendix A STM32303C-EVAL I/O assignment

Table 34. STM32303C-EVAL I/O assignment

Pin no.	Pin name	STM32303C-EVAL double motor control I/O assignment	STM32303C-EVAL general purpose features I/O assignment
1	PE2	MC1_MC2_PFC_Sync	TRACECK
2	PE3	MC1_MC2_PFC_PWM	TRACED0
3	PE4	MC1_ICL-shut-out	TRACED1
4	PE5	MC1_Dissipative_brake	TRACED2
5	PE6 - WKUP3		Key_button/TRACED3
6	VBAT		
7	PC13 - TAMPER1 - WKUP2		Joy_SEL
8	PC14 - OSC32_IN		OSC32_IN
9	PC15 - OSC32_OUT		OSC32_OUT
10	PF9		SPI2_SCK
11	PF10	MC2_Dissipative_brake	
12	PF0-OSC_IN		OSC_IN
13	PF1-OSC_OUT		OSC_OUT
14	NRST		NRST
15	PC0	MC1_Cin+_ADC12_IN6	
16	PC1	MC2_BUS_VOLTAGE	Potentiometer_COMP7_INp & ADC12_IN7
17	PC2	MC1_Ain+_ADC12_IN8	
18	PC3	MC1_Bin+_ADC12_IN9	
19	PF2	MC2_heat_sink_temp	
20	VSSadc / VREF-		
21	Vref+		
22	VDDadc		
23	PA0 -TAMPER2- WKUP1	MC1_BUS_VOLTAGE	LDR_ADC1_IN1 & COMP7_INp/COMP1_INn
24	PA1	OPAMP1_IN+	
25	PA2	OPAMP1_OUT	
26	PA3	OPAMP1_IN-	
27	PF4	MC1_heatsink_temp	
28	VDD4		
29	PA4	MC_DAC1_OUT	I2S_WS
30	PA5	MC_DAC2_OUT	
31	PA6	OPAMP2_OUT	
32	PA7	OPAMP2_IN1+	
33	PC4		USART1_TX

**Table 34. STM32303C-EVAL I/O assignment (continued)**

Pin no.	Pin name	STM32303C-EVAL double motor control I/O assignment	STM32303C-EVAL general purpose features I/O assignment
34	PC5	OPAMP2_IN-	
35	PB0	OPAMP3_IN+	Humidity_input
36	PB1	OPAMP3_OUT	
37	PB2	OPAMP3_IN-	1.8V POR
38	PE7		Joy_up
39	PE8	MC1_PWM_1L	LED1
40	PE9	MC1_PWM_1H	LED2
41	PE10	MC1_PWM_2L	LED3
42	PE11	MC1_PWM_2H	LED4
43	PE12	MC1_PWM_3L	
44	PE13	MC1_PWM_3H	Power_LED_DRIVE
45	PE14		ACP_RESET
46	PE15	MC1_STOP	uSD_CS
47	PB10	OPAMP4_IN-	
48	PB11	OPAMP4_IN1+	Shield_CT
49	VSS2		
50	VDD_2		
51	PB12	OPAMP4_OUT	Shield
52	PB13	OPAMP4_IN2+	
53	PB14		SPI2_MISO
54	PB15		SPI2_MOSI
55	PD8	MC1_MC2_PFC-inductor	
56	PD9	MC1_MC2_PFC_VAC	
57	PD10	MC2_Cin+_ADC34_IN7	
58	PD11	MC2_Ain+_ADC34_IN8	
59	PD12	MC2_Bin+_ADC34_IN9	TS_CT
60	PD13	MC2_Encoder_B	TS_Button1
61	PD14	OPAMP2_IN2+	Power_LED_Feedback
62	PD15	MC2_ICL-shut-out	TS_Button2
63	PC6	MC2_PWM_1H	uSD-detect
64	PC7	MC2_PWM_2H	
65	PC8	MC2_PWM_3H	Humidity_output
66	PC9		I2S_CKIN
67	PA8		I2C2_SMBAl / Audio_MCO
68	PA9		IR_IN / I2S_MCK
69	PA10		I2C2_SDA
70	PA11		USBDM
71	PA12		USB DP
72	PA13		SWDAT/JTMS

Table 34. STM32303C-EVAL I/O assignment (continued)

Pin no.	Pin name	STM32303C-EVAL double motor control I/O assignment	STM32303C-EVAL general purpose features I/O assignment
73	PF6		I2C2_SCL
74	VSS3		
75	VDD3		
76	PA14		SWCLK/JTCK
77	PA15		JTDI
78	PC10	MC2_PWM_1L	RS485_DIR / I2S_CK
79	PC11	MC2_PWM_2L	I2S_DOUT
80	PC12	MC2_PWM_3L	I2S_DIN
81	PD0		CAN_RX
82	PD1		CAN_TX
83	PD2	MC1_MC2_PFC_Shunt-Down	
84	PD3	MC1_Encoder_A	
85	PD4	MC1_Encoder_B	
86	PD5		Joy_Down
87	PD6		Joy_right
88	PD7	MC1_Encoder_Index	EEPROM_CS
89	PB3		JTDO, TRACESWO
90	PB4		NJTRST
91	PB5		Joy_left
92	PB6	MC2_Encoder A	
93	PB7	MC2_STOP	
94	BOOT0		
95	PB8	MC2_Encoder Index	USB_disconnect
96	PB9		LED_IR_OUT
97	PE0		LCD_CS
98	PE1		USART1_RX
99	VSSA - VSS1		
100	VDDA - VDD1		

## Appendix B Mechanical dimensions

Figure 32. Mechanical dimensions

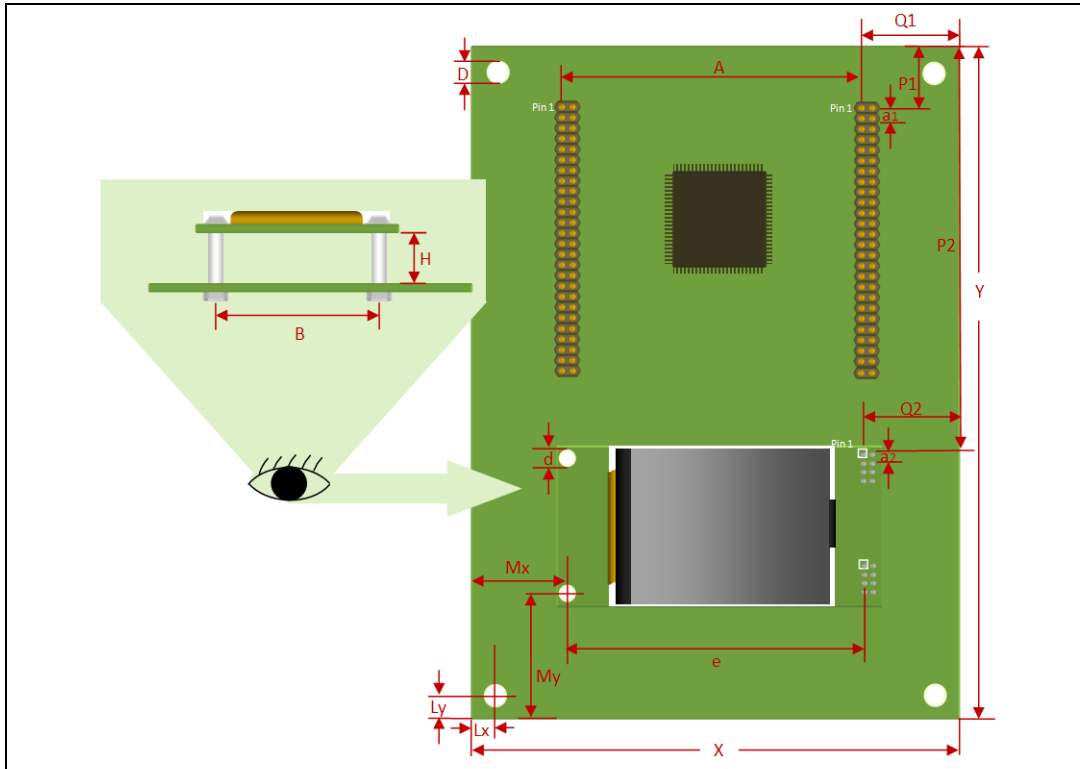


Table 35. Mechanical dimensions

Symbol	Size (mm)	Symbol	Size (mm)	Symbol	Size (mm)
A	68.58	e	77.44	P1	25.4
a1	2.54	H	11	P2	111.76
a2	2.54	Lx	7.62	Q1	25.4
B	36	Ly	5.715	Q2	19.05
D	3.5	Mx	21.62	X	118.11
d	3.2	My	23.81	Y	172.72



## Revision history

**Table 36. Document revision history**

Date	Revision	Changes
20-Nov-2012	1	Initial release.
04-Feb-2013	2	Updated <a href="#">Section 1.4: Delivery recommendations</a> .

**Please Read Carefully:**

Information in this document is provided solely in connection with ST products. STMicroelectronics NV and its subsidiaries ("ST") reserve the right to make changes, corrections, modifications or improvements, to this document, and the products and services described herein at any time, without notice.

All ST products are sold pursuant to ST's terms and conditions of sale.

Purchasers are solely responsible for the choice, selection and use of the ST products and services described herein, and ST assumes no liability whatsoever relating to the choice, selection or use of the ST products and services described herein.

No license, express or implied, by estoppel or otherwise, to any intellectual property rights is granted under this document. If any part of this document refers to any third party products or services it shall not be deemed a license grant by ST for the use of such third party products or services, or any intellectual property contained therein or considered as a warranty covering the use in any manner whatsoever of such third party products or services or any intellectual property contained therein.

**UNLESS OTHERWISE SET FORTH IN ST'S TERMS AND CONDITIONS OF SALE ST DISCLAIMS ANY EXPRESS OR IMPLIED WARRANTY WITH RESPECT TO THE USE AND/OR SALE OF ST PRODUCTS INCLUDING WITHOUT LIMITATION IMPLIED WARRANTIES OF MERCHANTABILITY, FITNESS FOR A PARTICULAR PURPOSE (AND THEIR EQUIVALENTS UNDER THE LAWS OF ANY JURISDICTION), OR INFRINGEMENT OF ANY PATENT, COPYRIGHT OR OTHER INTELLECTUAL PROPERTY RIGHT.**

**UNLESS EXPRESSLY APPROVED IN WRITING BY TWO AUTHORIZED ST REPRESENTATIVES, ST PRODUCTS ARE NOT RECOMMENDED, AUTHORIZED OR WARRANTED FOR USE IN MILITARY, AIR CRAFT, SPACE, LIFE SAVING, OR LIFE SUSTAINING APPLICATIONS, NOR IN PRODUCTS OR SYSTEMS WHERE FAILURE OR MALFUNCTION MAY RESULT IN PERSONAL INJURY, DEATH, OR SEVERE PROPERTY OR ENVIRONMENTAL DAMAGE. ST PRODUCTS WHICH ARE NOT SPECIFIED AS "AUTOMOTIVE GRADE" MAY ONLY BE USED IN AUTOMOTIVE APPLICATIONS AT USER'S OWN RISK.**

Resale of ST products with provisions different from the statements and/or technical features set forth in this document shall immediately void any warranty granted by ST for the ST product or service described herein and shall not create or extend in any manner whatsoever, any liability of ST.

ST and the ST logo are trademarks or registered trademarks of ST in various countries.

Information in this document supersedes and replaces all information previously supplied.

The ST logo is a registered trademark of STMicroelectronics. All other names are the property of their respective owners.

© 2013 STMicroelectronics - All rights reserved

STMicroelectronics group of companies

Australia - Belgium - Brazil - Canada - China - Czech Republic - Finland - France - Germany - Hong Kong - India - Israel - Italy - Japan - Malaysia - Malta - Morocco - Philippines - Singapore - Spain - Sweden - Switzerland - United Kingdom - United States of America

[www.st.com](http://www.st.com)